



Teileliste Spare Parts List

742-115

Inhaltsverzeichnis

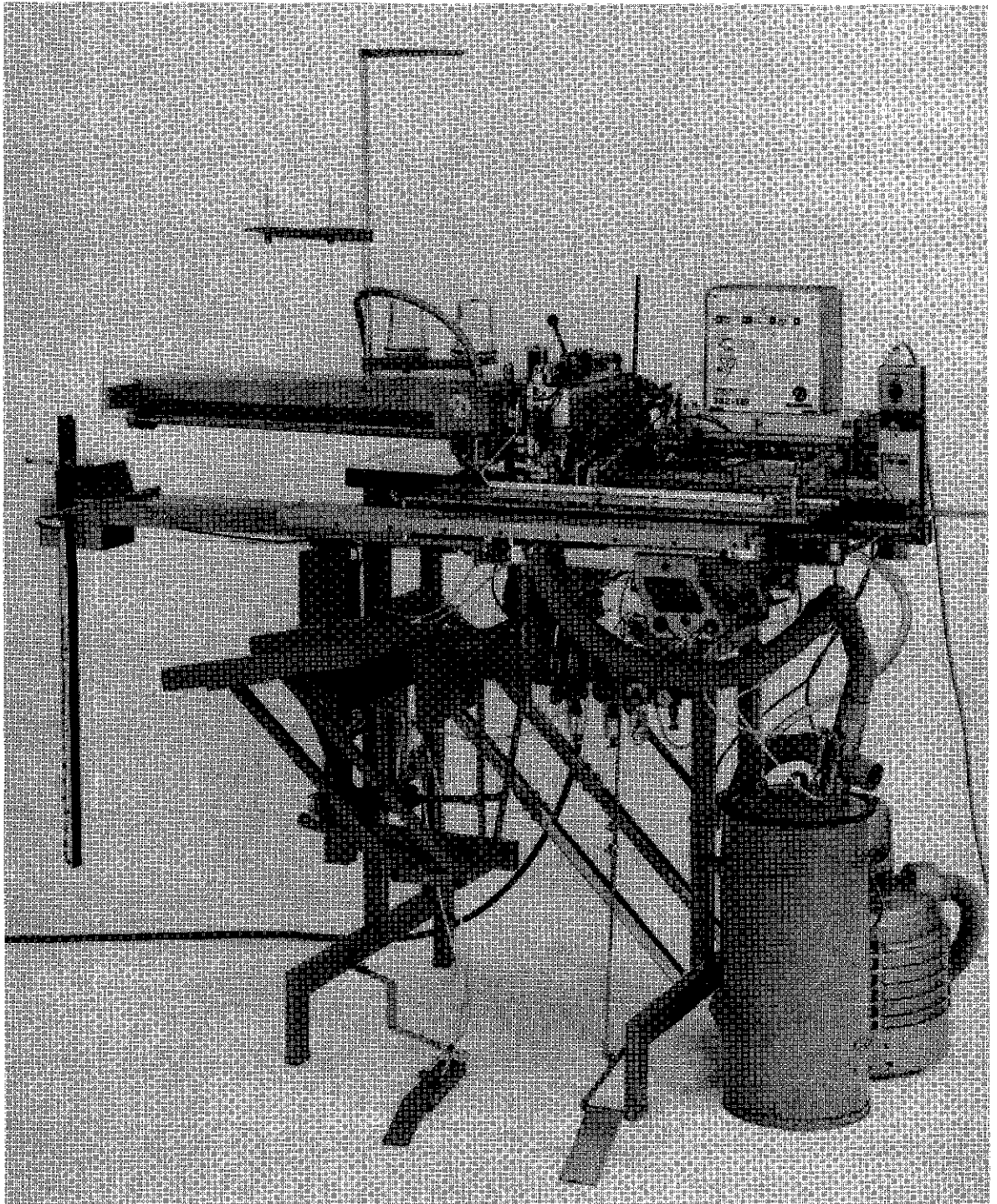
| | |
|----------------------------------|------------------------------|
| Gestellteile | Tafel 1 |
| Mechanische Teile | Tafel 2,4 |
| Elektroteile | Tafel 3, 14, 17, 36 |
| Wagen | Tafel 5, 6 |
| Garnständer | Tafel 7 |
| Abdeckteile | Tafel 7 |
| Ausstreifer | Tafel 8 |
| Stützplatte | Tafel 9, 10 |
| Halteeinrichtung | Tafel 11 |
| Schwenkarm | Tafel 12, 13 |
| Stapler | Tafel 15 |
| Ausstreifeinrichtung | Tafel 16 |
| Fußschalter | Tafel 17 |
| Beipack | Tafel 1, 18 |
| Einstellehren | Tafel 19 |
| Absaugbehälter/ Gebläse | Tafel 20 |
| Falttisch | Tafel 21, 22 |
| Steuergerät | Tafel 23, 24, 25, 26 |
| Nähantrieb | Tafel 26.1 |
| Maschinen-Oberteil Cl. 933-31 | Tafel 27 bis 25 |
| Kurznahteinrichtung | Tafel 39 bis 43 45 und 46 |
| Pläne | |

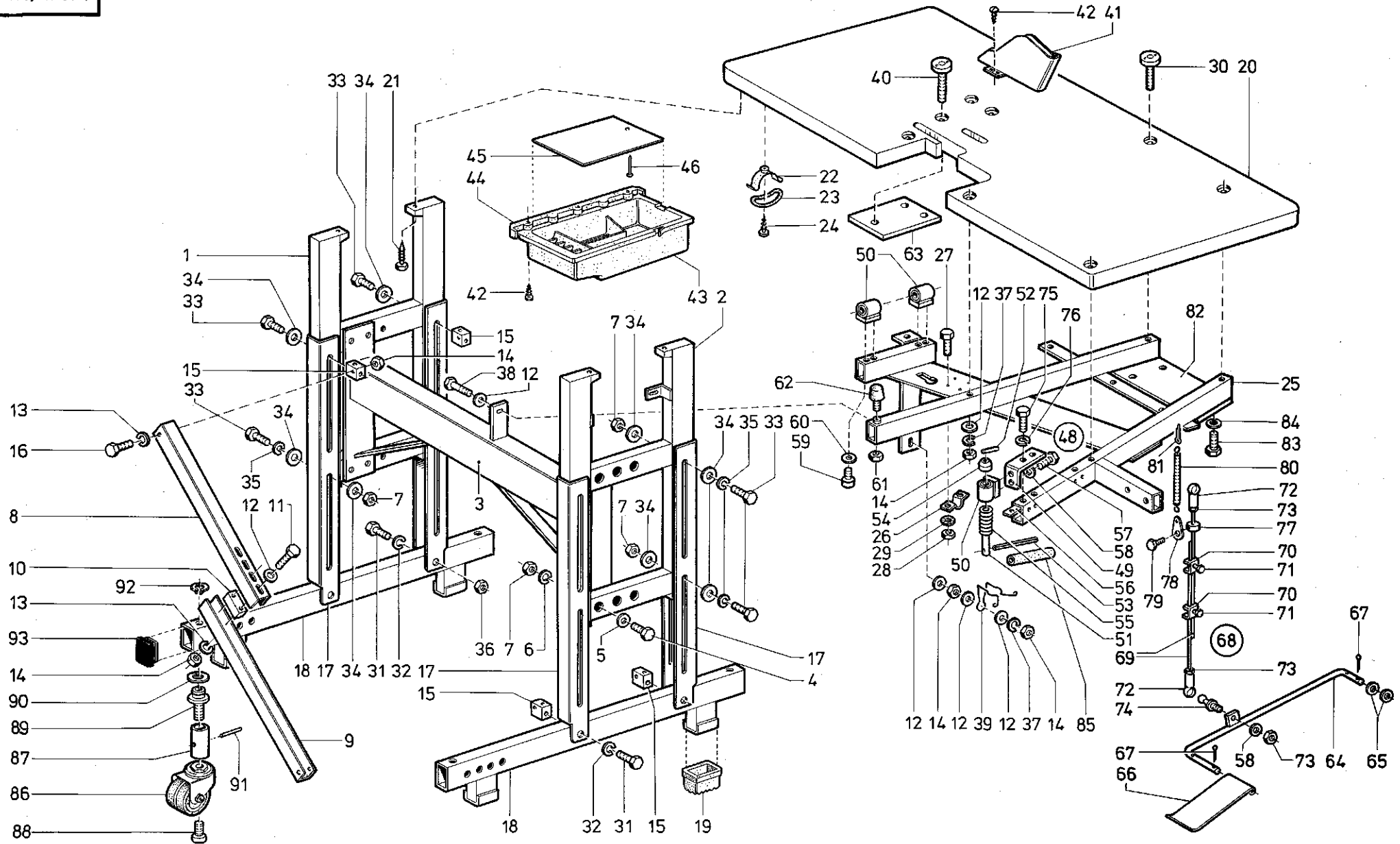
Contents

| | |
|--------------------------------|------------------------------|
| Mounting Parts | Table 1 |
| Mechanical Parts | Table 2,4 |
| Electro Parts | Table 3, 14, 17, 36 |
| Carrier | Table 5, 6 |
| Thread Reel Holder | Table 7 |
| Covering Parts | Table 7 |
| Stripper | Table 8 |
| Supporting Plate | Tafel 9, 10 |
| Holding Device | Table 11 |
| Swinging Arm | Table 12, 13 |
| Stacker | Table 15 |
| Smoothing Device | Table 16 |
| Pedal | Table 17 |
| Accessoires | Table 1, 18 |
| Setting gauges | Table 19 |
| Exhaust Box/ Blowing Engine | Table 20 |
| Folding Table | Table 21, 22 |
| Control Instrument | Table 23, 24, 25, 26 |
| Sewing drive | Table 26.1 |
| Machine Head Cl. 933-31 | Table 27 bis 25 |
| Kurznahteinrichtung | Table 39 bis 43 45 und 46 |
| Plans | |

DÜRKOPP ADLER 742-115

Gesamtansicht
Total View

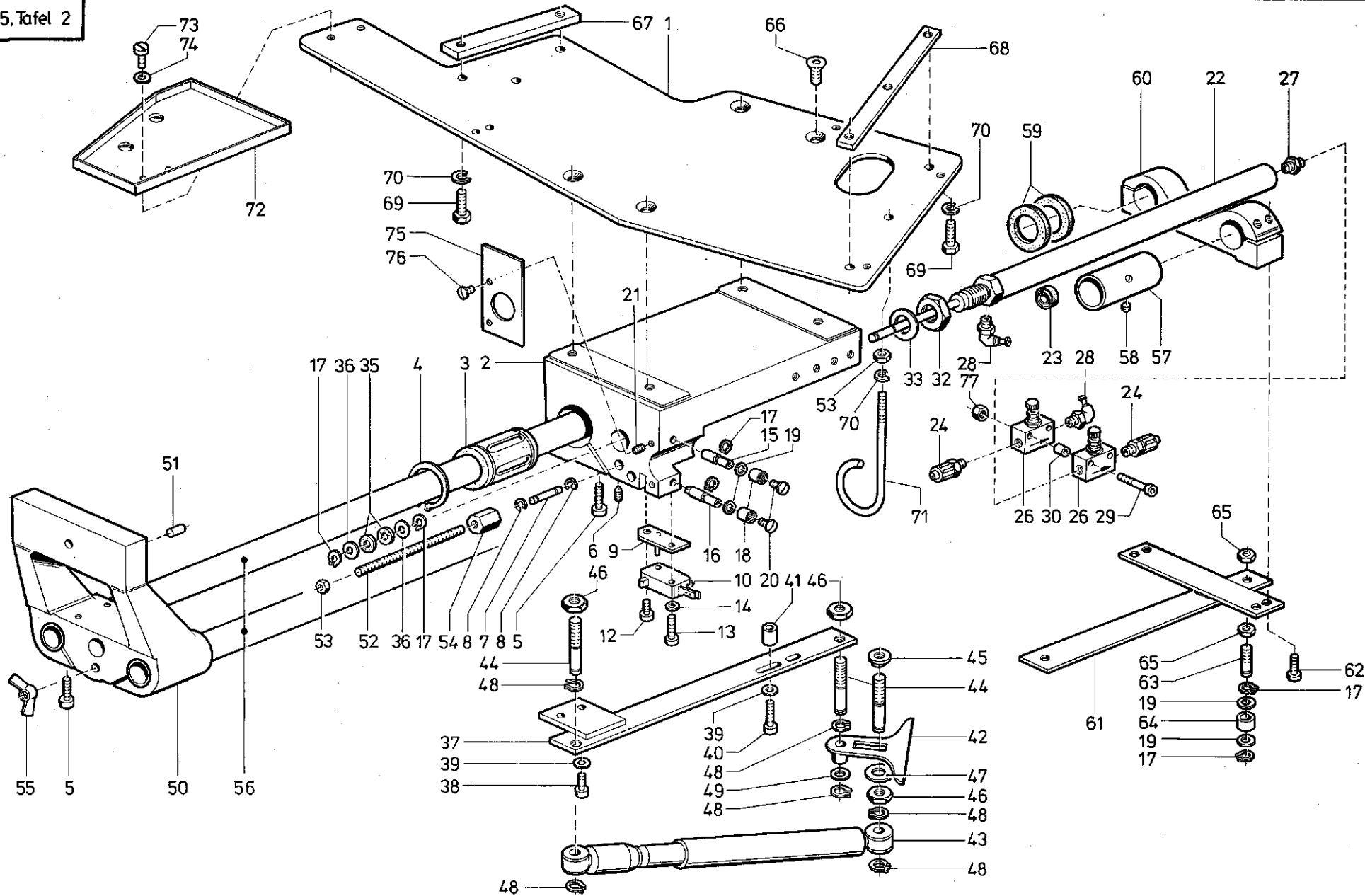




| Pos. Det. | Teile Nr. Part No. | Benennung | Denomination |
|-----------|--------------------|-------------------------|------------------------|
| | | Gestellteile | Mounting Parts |
| 1 | 74240012 | Seitenteil, links | Side part, left hand |
| 2 | 74240032 | Seitenteil, rechts | Side part, right hand |
| 3 | 74240052 | Querverbindung | Cross tie |
| 4 | MG 41/1263 | 6kt.-Schraube | Hexagonal screw |
| 5 | 7425027 | Scheibe | Washer |
| 6 | MG 43/12 | Federring | Spring ring |
| 7 | MG 43/13 | Mutter | Nut |
| 8 | 74240082 | Strebe | Prop |
| 9 | 74240083 | Strebe | Prop |
| 10 | 74240084 | Kloben | Block |
| 11 | MG 41/4620 | 6kt.-Schraube | Hexagonal screw |
| 12 | 72043 | Scheibe | Washer |
| 13 | 2113027 | Federscheibe | Spring washer |
| 14 | 72042a | 6kt.-Mutter | Hexagonal nut |
| 15 | 74240092 | Kloben | Block |
| 16 | 720607 | 6kt.-Schraube | Hexagonal screw |
| 17 | 7425102 | Ständer | Stand |
| 18 | MG 50/4552 | Fuß | Foot |
| 19 | 74656 | Schalldämpfer (Beipack) | Silencer (Accessories) |
| 20 | 7001988 | Tischplatte | Table plate |
| 21 | 5571494a | Holzschraube | Wood screw |
| 22 | 74412819 | Wiegenschelle | Movable strap |
| 23 | Z 112259 | Gummiring | Rubber ring |
| 24 | MG 41/4498 | Holzschraube | Wood screw |
| 25 | 74240161 | Stütze | Staying |
| 26 | K999200859 | Rohrschelle | Clip |
| 27 | 798796 | Zyl.-Schraube | Cyl. head screw |
| 28 | 202704 | 6kt.-Mutter | Hexagonal nut |
| 29 | 911267 | Zahnscheibe | Tooth lock washer |
| 30 | 74240188 | Schraube | Screw |
| 31 | 74240121 | 6kt.-Schraube | Hexagonal screw |
| 32 | 7425110 | Federring | Spring ring |
| 33 | 725497 | 6kt.-Schraube | Hexagonal screw |
| 34 | MG 43/14 | Scheibe | Washer |
| 35 | 911415 | Federring | Spring ring |
| 36 | 7425110a | 6kt.-Mutter | Hexagonal nut |
| 37 | 725520b | Federring | Spring ring |
| 38 | 720293 | 6kt.-Schraube | Hexagonal screw |
| 39 | MG 43/62 | Klemme | Clamp |
| 40 | 74240241 | Schraube | Screw |
| 41 | 263761 | Riemenschutz | Belt protector |
| 42 | 713302 | Holzschraube | Wood screw |
| 43 | 70043 | Schubkasten | Drawer |

| Pos. Det. | Teile Nr. Part No. | Benennung | Denomination |
|-----------|--------------------|--|---|
| 44 | 70044 | Führ.-Leiste | Guide bead |
| 45 | 70045 | Ablageblech | Deposit plate |
| 46 | 7442094 | Fixstahlnadel | Steel needle |
| 48 | 74240291 | Raste kpl. (best. aus Pos. 50, 51, 52, 53, 54, 55) | Ratchet cpl. (cons. of pos. 50, 51, 52, 53, 54, 55) |
| 49 | 74240302 | Bef.-Winkel | Fastening square |
| 50 | 746265 | Lagerbock | Pillow block |
| 51 | 74240295 | Bolzen | Bolt |
| 52 | 74240296 | Spannhülse | Clamping sleeve |
| 53 | 74240297 | Spannhülse | Clamping sleeve |
| 54 | 74240298 | Konus | Cone |
| 55 | 21127 | Tellerfeder | Cup spring |
| 56 | 74240303 | Lasche | Shackle |
| 57 | P 121110 | 6kt.-Schraube | Hexagonal screw |
| 58 | 557263 | Scheibe | Washer |
| 59 | 74240277 | Zyl.-Schraube | Cyl. head screw |
| 60 | NBO/577 | Scheibe | Washer |
| 61 | MG 43/408 | 6kt.-Mutter | Hexagonal nut |
| 62 | 7441339 | Gummipuffer | Rubber buffer |
| 63 | 7001987 | Motorunterlage (für 60-Hz-Motoren) | Motor bed plate (for 60 Hz frequency-motors) |
| 64 | 74240742 | Bügel | Bow |
| 65 | 5701051 | Scheibe | Washer |
| 66 | 7425144 | Platte | Plate |
| 67 | 255356 | Splint | Split pin |
| 68 | Z 112499 | Gestänge kpl. (best. aus Pos. 69, 70, 71, 72, 73) | Rods cpl. (cons. of pos. 69, 70, 71, 72, 73) |
| 69 | Z 112500 | Stange | Rod |
| 70 | MG 43/403 | Klemme | Clamp |
| 71 | MG 43/404 | 6kt.-Schraube | Hexagonal screw |
| 72 | 211616 | Kugelpfanne | Ball socket |
| 73 | MG 43/409 | 6kt.-Mutter | Hexagonal nut |
| 74 | 5701220 | Kugelbolzen | Ball pin |
| 75 | 7441658 | 6kt.-Schraube | Hexagonal screw |
| 76 | 7441131 | Federring | Spring ring |
| 77 | 5561168 | Stellring | Set collar |
| 78 | 5561240 | Lasche | Shackle |
| 79 | 21267 | 6kt.-Schraube | Hexagonal screw |
| 80 | 7443545 | Zugfeder | Draw spring |
| 81 | 021247b | Spint | Split pin |
| 82 | MG 50/372 | Platte | Plate |
| 83 | 2658878 | 6kt.-Schraube | Hexagonal screw |
| 84 | 74450243 | Scheibe | Washer |

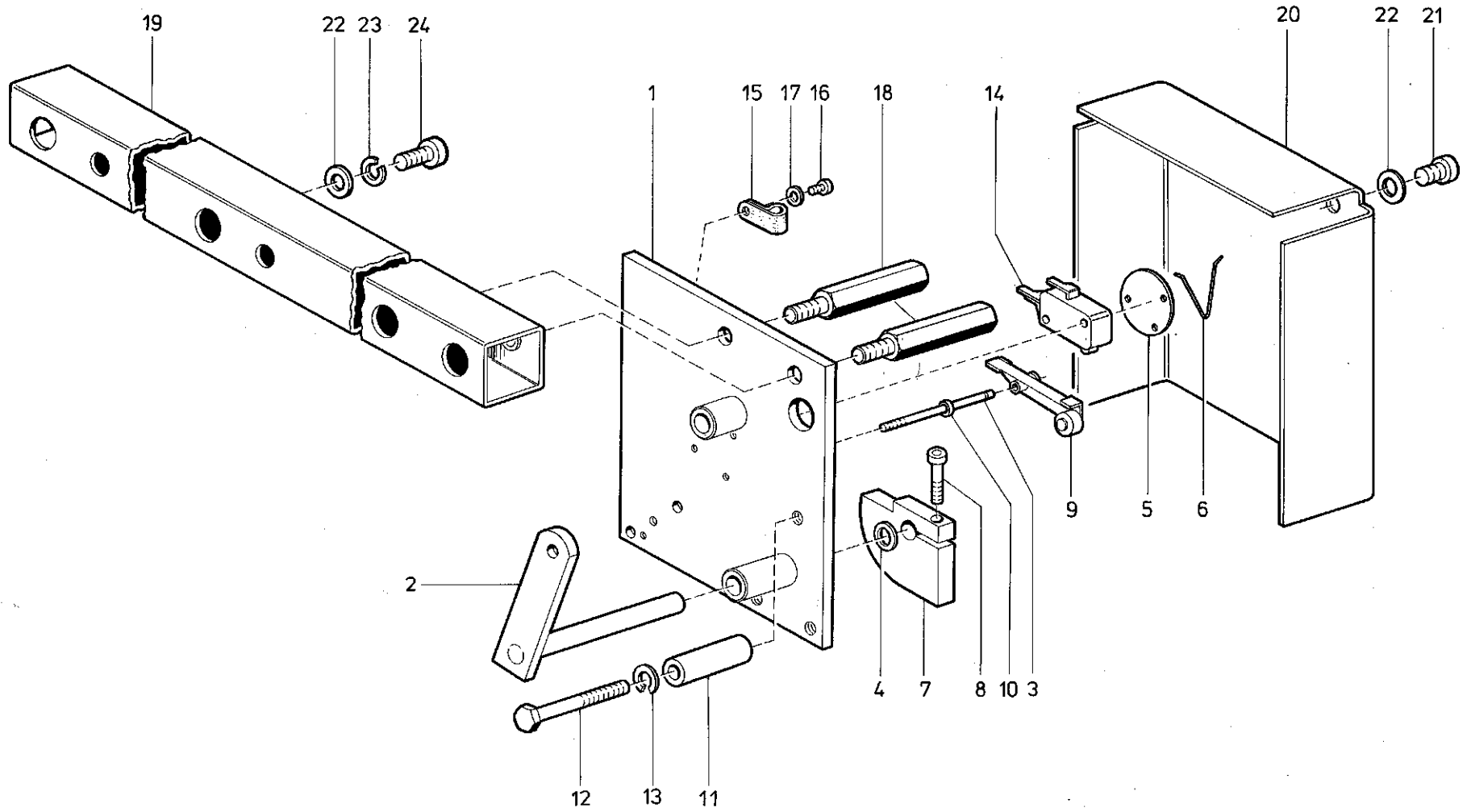
| Pos. Det. | Teile Nr. Part No. | Benennung | Denomination |
|-----------|--------------------|--------------------------------|-----------------|
| 85 | 74240300 | Schlauch | Hose |
| 86 | MG 50/4558 | Apparaterolle | Attachm Roller |
| 87 | MG 50/4559 | Buchse | Bush |
| 88 | 2492 | Zyl.-Schraube | Cyl. head screw |
| 89 | MG 50/4563 | Schraube | Screw |
| 90 | MG 50/4565 | Scheibe | Washer |
| 91 | MG 50/4567 | Spannstift | Tension pin |
| 92 | 2921229 | Sicher.-Ring | Circlip |
| 93 | 71811043 | Verschlusskappe | Cap |
| | | Keilriemen | Belt |
| | 720405d | 1100 mm | 1100 mm |
| | 720405b | 1080 mm (60 Hz) | 1080 mm (60 Hz) |
| | 7982011 | Riemenscheibe 100 mm Ø | |
| | 7982008 | Riemenscheibe 85 mm Ø 60 Hz | |



| Pos. Det. | Teile Nr. Part No. | Benennung | Denomination |
|-----------|--------------------|--------------------------------|---------------------------------|
| 1 | 74240365 | Halteplatte | Supporting plate |
| 2 | 7421752 | Lagerbock | Pillow block |
| 3 | 74240391 | Kugelnbüchse | Ball-type nipple |
| 4 | 7421755 | Sicher.-Ring | Circlip |
| 5 | 2124882 | Zyl.-Schraube | Cyl. head screw |
| 6 | 7421757 | Gewindestift | Threaded stud |
| 7 | 7421759 | Druckstift | Pressure pin |
| 8 | 570138 | Sicher.-Scheibe | Lock washer |
| 9 | 7421762 | Halteblech | Holding plate |
| 10 | 739878 | Microschalter | Microswitch |
| 12 | 5691922 | Zyl.-Schraube | Cyl. head screw |
| 13 | 216307 | Zyl.-Schraube | Cyl. head screw |
| 14 | 10019247 | Scheibe | Washer |
| 15 | 746656 | Bolzen | Bolt |
| 16 | 746657 | Exzenterbolzen | Eccentric bolt |
| 17 | 2124841 | Sicher.-Ring | Circlip |
| 18 | 746659 | Nadellager | Needle bearing |
| 19 | 746658 | Scheibe | Washer |
| 20 | 911442 | Linsenschraube | Fillister head screw |
| 21 | 223237 | Gewindestift | Threaded stud |
| 22 | 74240436 | Zylinder kpl. (mit Pos. 23) | Cylinder cpl. (with pos. 23) |
| 23 | 7426431 | Lippenring | Lip seal |
| 24 | 74423566 | Schl.-Verschr. | Hose coupling screw |
| 26 | 7441820 | Drosselventil | Throttle valve |
| 27 | 7972605 | Doppelnippel | Double nipple |
| 28 | 74423556 | L-Stecknippel | Plug |
| 29 | MG 44/121 | Zyl.-Schraube | Cyl. head screw |
| 30 | 7395010 | Hülse | Sleeve |
| 31 | 202704 | 6kt.-Mutter | Hexagonal nut |
| 32 | P 125/19 | 6kt.-Mutter | Hexagonal nut |
| 33 | 7422161 | Scheibe | Washer |
| 35 | 570118 | Scheibe | Washer |
| 36 | 74240443 | Scheibe | Washer |
| 37 | 74240532 | Bef.-Platte | Fastening plate |
| 38 | 556362 | Zyl.-Schraube | Cyl. head screw |
| 39 | 557263 | Scheibe | Washer |
| 40 | 5701594 | Zyl.-Schraube | Cyl. head screw |
| 41 | 74422347 | Distanzhülse | Distance sleeve |
| 42 | 74240542 | Hebel | Lever |
| 43 | 74221734 | Stoßdämpfer | Shock absorber |
| 44 | 74240551 | Gewindebolzen | Threaded stud |
| 45 | 74240552 | Mutter | Nut |
| 46 | 55614146 | 6kt.-Mutter | Hexagonal nut |
| 47 | MG 41/1356 | Scheibe | Washer |

| Pos. Det. | Teile Nr. Part No. | Benennung | Denomination |
|-----------|--------------------|---------------------------------|--------------------------------|
| 48 | 650353 | Sicher.-Ring | Circlip |
| 49 | 556352 | Scheibe | Washer |
| 50 | 7425568 | Stützbock kpl. (mit Pos. 51) | Trestle cpl. (with pos. 51) |
| 51 | 7441524 | Zyl.-Stift | Threaded rod |
| 52 | 74240623 | Gewindestange | Threaded rod |
| 53 | 72042a | 6kt.-Mutter | Hexagonal nut |
| 54 | 7421813 | 6kt.-Mutter | Hexagonal nut |
| 55 | 025356 | Flügelmutter | Fly nut |
| 56 | 7421782 | Führungsrohr | Guide tube |
| 57 | 74240645 | Nocken kpl. (mit Pos. 58) | Cam cpl. (with pos. 58) |
| 58 | 42084 | Gewindestift | Threaded stud |
| 59 | 7421788 | Ring | Ring |
| 60 | 7421792 | Klemmbock | Clamping block |
| 61 | 74240657 | Rollenhalter | Roll holder |
| 62 | 722735 | Zyl.-Schraube | Cyl. head screw |
| 63 | 74240664 | Gewindebolzen | Threaded stud |
| 64 | 746659 | Nadellager | Needle bearing |
| 65 | 231454 | 6kt.-Mutter | Hexagonal nut |
| 66 | 7421823 | Senkschraube | Countersunk screw |
| 67 | 74611630 | Lasche | Shackle |
| 68 | 74240694 | Lasche | Shackle |
| 69 | App. 20160 | 6kt.-Schraube | Hexagonal screw |
| 70 | 725520b | Federring | Spring ring |
| 71 | 74240698 | Haltebügel | Retaining hook |
| 72 | 74240712 | Ölwanne | Oilpan |
| 73 | 10019128 | Zyl.-Schraube | Cyl. head screw |
| 74 | 70048 | Scheibe | Washer |
| 75 | 7421778 | Abdeckplatte | Cover plate |
| 76 | 211203 | Linsenschraube | Fillister head screw |
| 77 | 202704 | 6kt.-Mutter | Hexagonal nut |

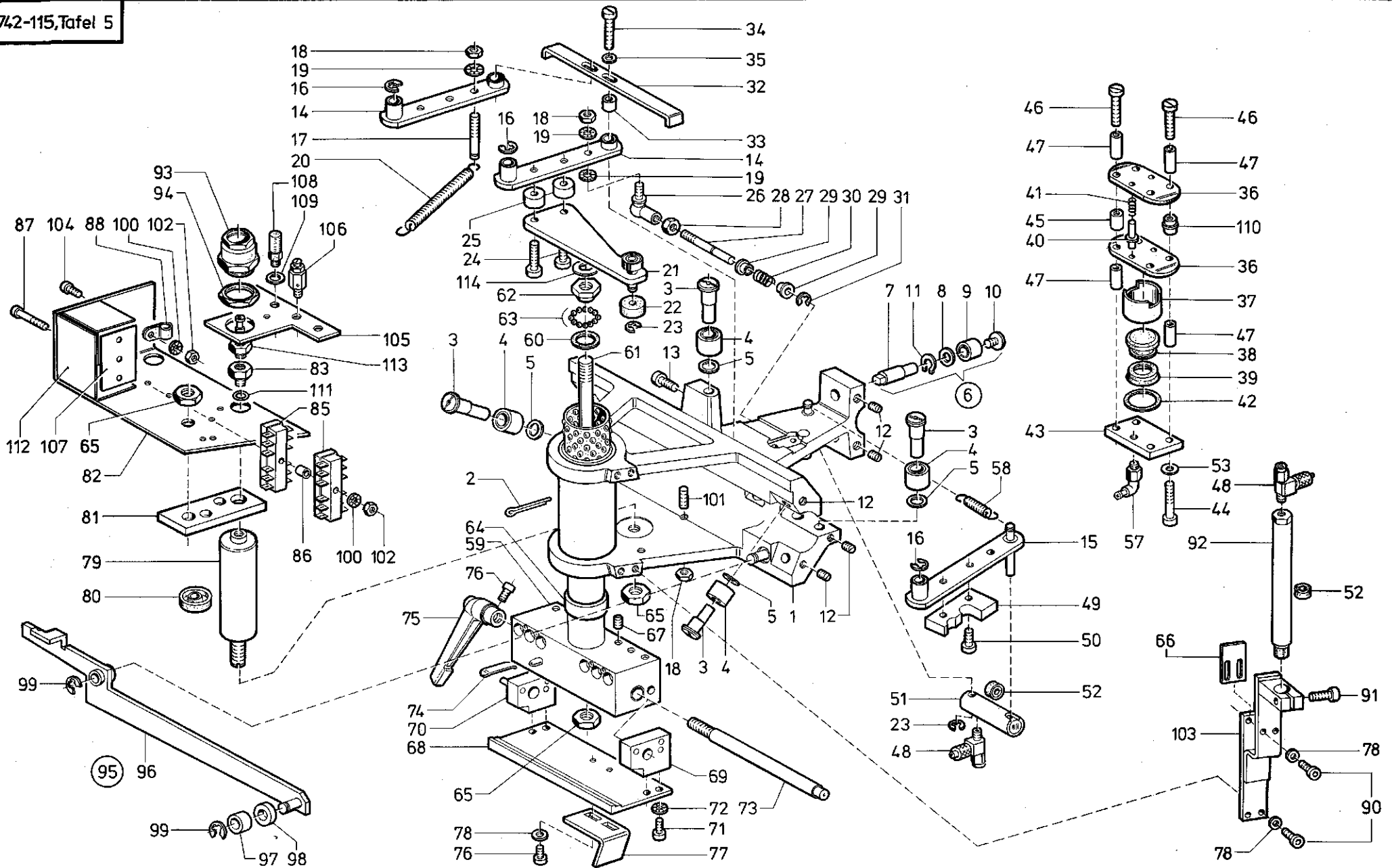
| Pos. Det. | Teile Nr. Part No. | Benennung | Denomination |
|-----------|--------------------|-----------|--------------|
|-----------|--------------------|-----------|--------------|



| Pos. Det. | Teile Nr. Part No. | Benennung | Denomination |
|-----------|--------------------|-----------------------------------|---------------------------|
| 1 | 74660734 | Lagerplatte | Bearing plate |
| 2 | 74240758 | Hebel | Lever |
| 3 | 74240764 | Stift | Pin |
| 4 | 025357 | Scheibe | Washer |
| 5 | 74240766 | Platte | Plate |
| 6 | 7463216 | Draht | Wire |
| 7 | 7463217 | Schaltnocken kpl. (mit Pos. 8) | Cam cpl. (with pos. 8) |
| 8 | 93370175 | Zyl.-Schraube | Cyl. head screw |
| 9 | 7463259 | Gelenkhebel | Articulated lever |
| 10 | 7463213 | Scheibe | Washer |
| 11 | 74424131 | Anschlag | Stop |
| 12 | 74424132 | 6kt.-Schraube | Hexagonal screw |
| 13 | 5692773 | Federring | Spring ring |
| 14 | 739878 | Basisschalter | Base switch |
| 15 | 7442208 | Schelle | Clip |
| 16 | 5691922 | Zyl.-Schraube | Cyl. head screw |
| 17 | 570975 | Scheibe | Washer |
| 18 | 74240797 | 6kt.-Bolzen | Hexagonal bolt |
| 19 | 74240801 | Rohr | Tube |
| 20 | 74660743 | Schutzhaube | Protective cover |
| 21 | 7425098 | Zyl.-Schraube | Cyl. head screw |
| 22 | 72043 | Scheibe | Washer |
| 23 | 7441017 | Federring | Spring ring |
| 24 | 7425098 | Zyl.-Schraube | Cyl. head screw |

| Pos. Det. | Teile Nr. Part No. | Benennung | Denomination |
|-----------|--------------------|-----------|--------------|
|-----------|--------------------|-----------|--------------|

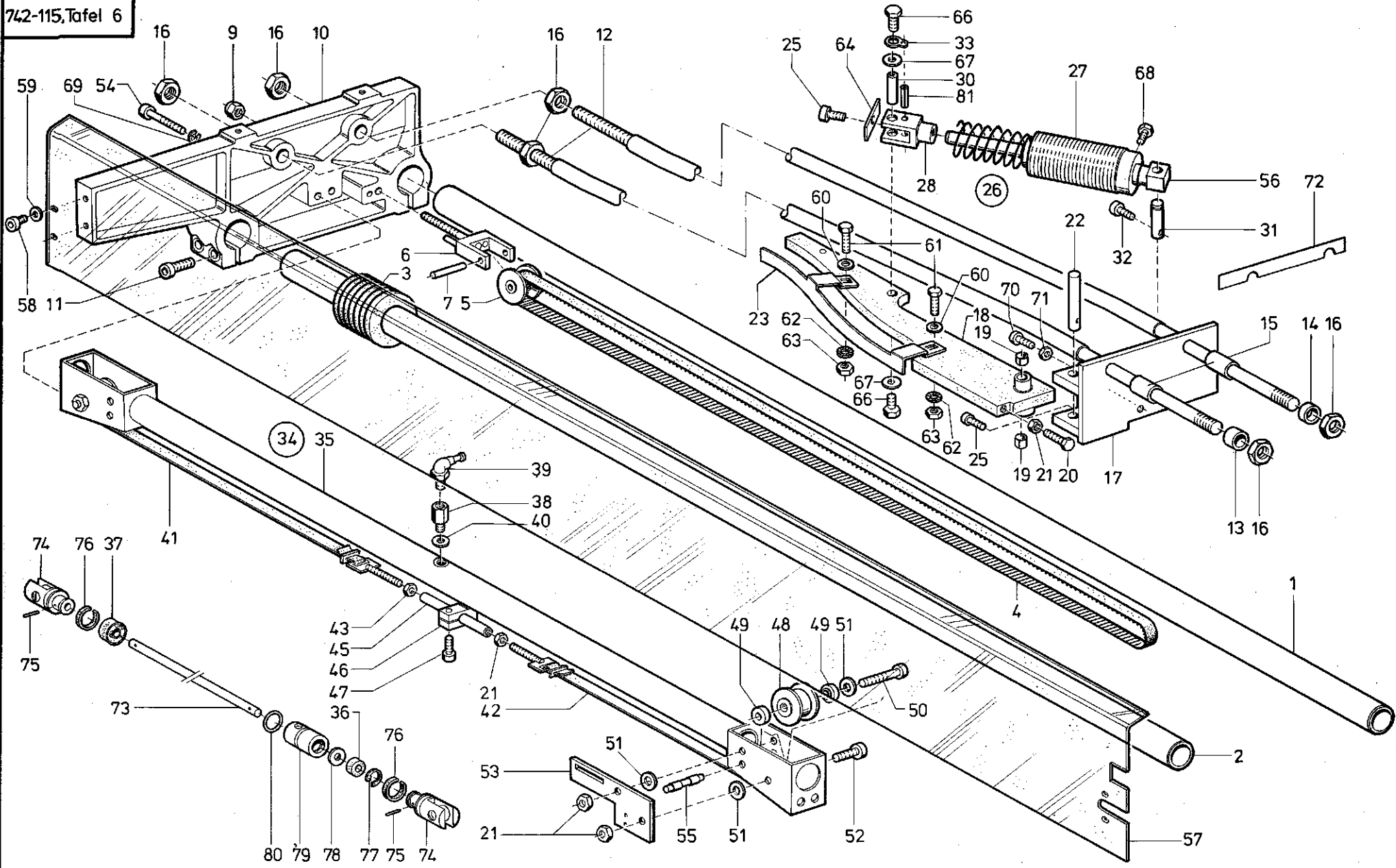
| Pos. Det. | Teile Nr. Part No. | Benennung | Denomination |
|-----------|--------------------|-----------|--------------|
|-----------|--------------------|-----------|--------------|

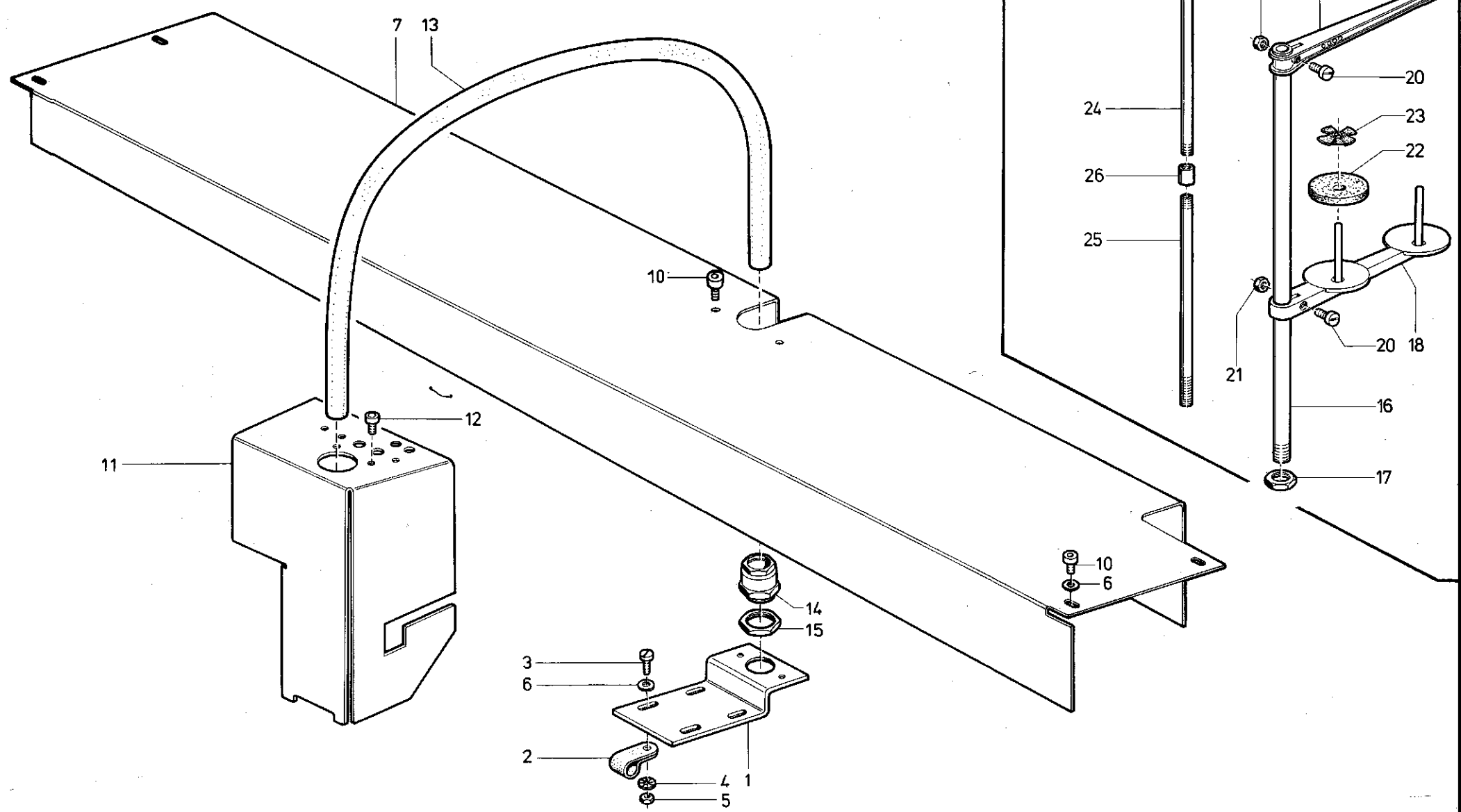


| Pos. Det. | Teile Nr. Part No. | Benennung | Denomination |
|-----------|--------------------|--|---|
| 1 | 74241655 | Wagen | Carriage |
| 2 | 93311327 | Splint | Split pin |
| 3 | 74241677 | Exzenterbolzen | Eccentric bolt |
| 4 | 74241679 | Nadellager | Needle bearing |
| 5 | 291347 | Scheibe | Washer |
| 6 | 746657a | Exzenterbolzen kpl. (best. aus Pos. 7, 8, 9, 10, 11) | Eccentric bolt cpl. (cons. of pos. 7, 8, 9, 10, 11) |
| 7 | 746657 | Exzenterbolzen | Eccentric bolt |
| 8 | 746658 | Scheibe | Washer |
| 9 | 746659 | Nadellager | Needle bearing |
| 10 | 911442 | Linsenschraube | Fillister head screw |
| 11 | 2124841 | Sicher.-Ring | Circlip |
| 12 | 223648 | Gewindestift | Threaded stud |
| 13 | 216658 | Zyl.-Schraube | Cyl. head screw |
| 14 | 74241706 | Hebel | Lever |
| 15 | 74241713 | Hebel | Lever |
| 16 | 93002119 | Sicher.-Scheibe | Lock washer |
| 17 | 74241723 | Gewindestift | Threaded stud |
| 18 | 74450244 | 6kt.-Mutter | Hexagonal nut |
| 19 | 557111 | Zahnscheibe | Tooth lock washer |
| 20 | 211101 | Zugfeder | Draw spring |
| 21 | 74241731 | Hebel | Lever |
| 22 | 74241738 | Rolle | Roll |
| 23 | 570138 | Sicher.-Scheibe | Lock washer |
| 24 | 93370175 | Zyl.-Schraube | Cyl. head screw |
| 25 | 74241743 | Buchse | Bush |
| 26 | 380286 | Winkelgelenk | Angle joint |
| 27 | 74241753 | Gewindestange | Threaded rod |
| 28 | MG 8/7d | 6kt.-Mutter | Hexagonal nut |
| 29 | 74241758 | Buchse | Bush |
| 30 | 2494883 | Druckfeder | Pressure spring |
| 31 | 255129 | Sicher.-Scheibe | Lock washer |
| 32 | 74241761 | Schaltleiste | Operating rail |
| 33 | 933243 | Abstandshülse | Distance sleeve |
| 34 | 211496 | Zyl.-Schraube | Cyl. head screw |
| 35 | 798795 | Scheibe | Washer |
| 36 | 74241791 | Druckplatte | Pressure plate |
| 37 | 74241792 | Zylinderrohr | Cylinder tube |
| 38 | 74241795 | Kolben | Piston |
| 39 | 7426431 | Lippenring | Lip seal |
| 40 | 74241797 | Bolzen | Bolt |
| 41 | MG 41/4259a | Druckfeder | Pressure spring |
| 42 | 74241799 | Dichtring | Gasket ring |
| 43 | 74241800 | Platte | Plate |

| Pos. Det. | Teile Nr. Part No. | Benennung | Denomination |
|-----------|--------------------|--------------------------------|---------------------------------|
| 44 | 902380 | Zyl.-Schraube | Cyl. head screw |
| 45 | 74241804 | Gewindebuchse | Threaded bush |
| 46 | 10019129 | Zyl.-Schraube | Cyl. head screw |
| 47 | 74241807 | Buchse | Bush |
| 48 | 797411 | Drosselventil | Throttle valve |
| 49 | 74241822 | Raste | Ratchet |
| 50 | 746879 | Zyl.-Schraube | Cyl. head screw |
| 51 | 74241827 | Zylinder kpl. (mit Pos. 52) | Cylinder cpl. (with pos. 52) |
| 52 | 21154075 | Lippenring | Lip seal |
| 53 | 380289 | Scheibe | Washer |
| 57 | 746768 | L-Stecknippel | Plug |
| 58 | 558333 | Zugfeder | Draw spring |
| 59 | 74241873 | Hubwelle | Lifting shaft |
| 60 | 7426433 | Scheibe | Washer |
| 61 | 74241883 | Gewindestange | Threaded rod |
| 62 | 74241884 | 6kt.-Mutter | Hexagonal nut |
| 63 | 7391100 | Kugel | Ball |
| 64 | 74241888 | Buchse | Bush |
| 65 | 55614146 | 6kt.-Mutter | Hexagonal nut |
| 66 | 74242089 | Schaltblech | Change plate |
| 67 | 420328 | Gewindestift | Threaded stud |
| 68 | 74241912 | Klemmplatte | Clamping plate |
| 69 | 74241914 | Kloben | Block |
| 70 | 74241922 | Kloben | Block |
| 71 | 265565 | Zyl.-Schraube | Cyl. head screw |
| 72 | 569956 | Federscheibe | Leaf spring |
| 73 | 74241933 | Welle | Shaft |
| 74 | 74241935 | Blattfeder | Leaf spring |
| 75 | 74241937 | Klemmhebel | Clamping lever |
| 76 | 7461033 | Zyl.-Schraube | Cyl. head screw |
| 77 | 74241942 | Winkel | Square |
| 78 | 5691895 | Scheibe | Washer |
| 79 | 74241962 | Zylinder kpl. (mit Pos. 80) | Cylinder cpl. (with pos. 80) |
| 80 | 7426431 | Lippenring | Lip seal |
| 81 | 74241896 | Lasche | Shackle |
| 82 | 74241897 | Winkel | Square |
| 83 | Z 120362 | Reduz.-Nippel | Reducer nipple |
| 85 | 7465018 | Steckleiste | Multipole connector |
| 86 | 7465019 | Distanzstück | Distance piece |
| 87 | MG 41/4571 | Zyl.-Schraube | Cyl. head screw |
| 88 | Z 113290 | Schelle | Clip |
| 90 | 7441968 | Zyl.-Schraube | Cyl. head screw |
| 91 | P 12110 | Zyl.-Schraube | Cyl. head screw |

| Pos. Det. | Teile Nr. Part No. | Benennung | Denomination |
|-----------|--------------------|--|---|
| 92 | 74242092 | Zylinder kpl. (mit Pos. 52) | Cylinder cpl. (with pos. 52) |
| 93 | 79221174 | Schl.-Verschr. | Hose coupling screw |
| 94 | 7442207 | 6kt.-Mutter | Hexagonal nut |
| 95 | 74242122 | Hebel kpl. (best. aus Pos. 96, 97, 98, 99) | Lever cpl. (cons. of pos. 96, 97, 98, 99) |
| 96 | 74242124a | Hebel | Lever |
| 97 | 74242132 | Rolle | Roll |
| 98 | 74242131 | Rolle | Roll |
| 99 | 7443142 | Sicher.-Scheibe | Circlip |
| 100 | 911267 | Zahnscheibe | Tooth lock washer |
| 101 | 265685 | Gewindestift | Threaded stud |
| 102 | 202704 | 6kt.-Mutter | Hexagonal nut |
| 103 | 74242081 | Halter | Holder |
| 104 | 798796 | Zyl.-Schraube | Cyl. head screw |
| 105 | 74242150 | Lasche | Shackle |
| 106 | 55614272 | Drosselventil | Throttle valve |
| 107 | 7465020 | Bez.-Schild | Name plate |
| 108 | Z 11649 | Schalldämpfer | Silencer |
| 109 | 74450243 | Scheibe | Washer |
| 110 | 74241805 | Gew.-Buchse | Threaded bush |
| 111 | 246344 | Gummiring | Rubber ring |
| 112 | 74242220 | Abdeckung | Cover |
| 113 | 7972016 | Schlauchtülle | Hose nozzle |
| 114 | MG 4/6 | Scheibe | Washer |

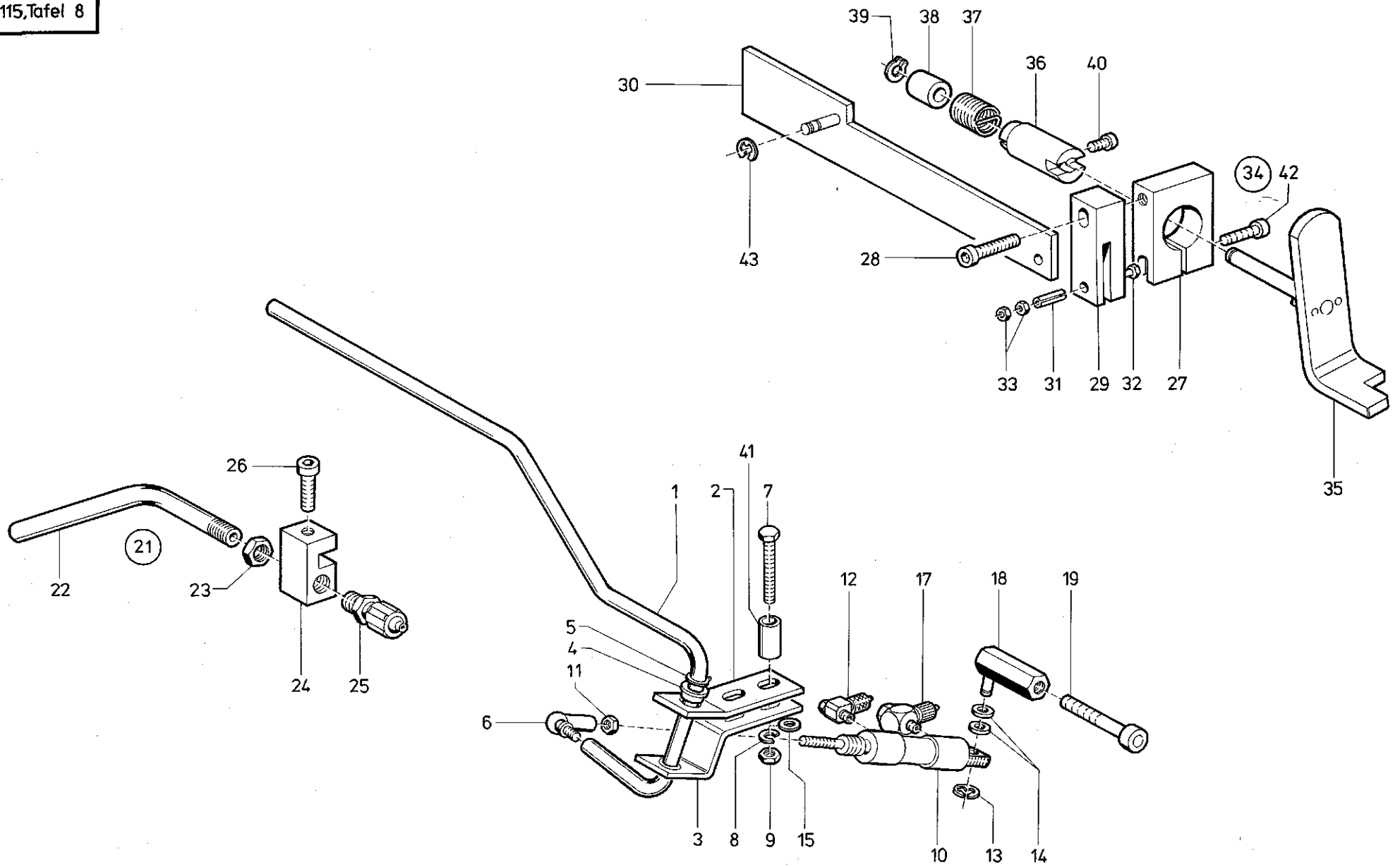




| Pos. Det. | Teile Nr. Part No. | Benennung | Denomination |
|-----------|--------------------|--|--|
| 1 | 74242252 | Winkel | Square |
| 2 | Z 113290 | Schelle | Clip |
| 3 | 216120 | Zyl.-Schraube | Cyl. head screw |
| 4 | 911267 | Zahnscheibe | Tooth lock washer |
| 5 | 202704 | 6kt.-Mutter | Hexagonal nut |
| 6 | 5691895 | Scheibe | Washer |
| 7 | 74242272 | Abdeckhaube | Covering cap |
| 11 | 74242175 | Abdeckhaube | Covering cap |
| 12 | 7461033 | Zyl.-Schraube | Cyl. head screw |
| 13 | 0020071062500 | Schutzschlauch | Protective hose |
| 14 | 79221174 | Schl.-Verschr. | Hose coupling screw |
| 15 | 7442207 | 6kt.-Mutter | Hexagonal nut |
| 16 | 7911086 | Garnst.-Rohr | Thread unwinder tube |
| 17 | K995340618 | 6kt.-Mutter | Hexagonal nut |
| 18 | 7911091 | Garnhalter kpl. (mit Pos. 20, 21) | Thread holder cpl. (with pos. 20, 21) |
| 19 | 7911096 | Fadenführung kpl. (mit Pos. 20, 21) | Thread guide cpl. (with pos. 20, 21) |
| 20 | 7911094 | Zyl.-Schraube | Cyl. head screw |
| 21 | 7911095 | 6kt.-Mutter | Hexagonal nut |
| 22 | K 077110220 | Auflage | Support |
| 23 | K 077110230 | Zentrierstück | Centering piece |
| 24 | 7911081 | Garnst.-Rohr | Thread unwinder tube |
| 25 | 7911085 | Garnst.-Rohr | Thread unwinder tube |
| 26 | K990240058 | Muffe | Bushing |

| Pos. Det. | Teile Nr. Part No. | Benennung | Denomination |
|-----------|--------------------|-----------|--------------|
|-----------|--------------------|-----------|--------------|

| Pos. Det. | Teile Nr. Part No. | Benennung | Denomination |
|-----------|--------------------|-----------|--------------|
|-----------|--------------------|-----------|--------------|



| Pos. Det. | Teile Nr. Part No. | Benennung | Denomination |
|-----------|--------------------|--|---|
| 1 | 74255831 | Ausstreifer | Stripper |
| 2 | 74240916 | Winkel | Square |
| 3 | 74240917 | Winkel | Square |
| 4 | 74240918 | Buchse | Bush |
| 5 | 211245 | Greifring | Gripping ring |
| 6 | 380286 | Winkelgelenk | Angle joint |
| 7 | 74424132 | 6kt.-Schraube | Hexagonal screw |
| 8 | 7441131 | Federring | Spring ring |
| 9 | MG 43/408 | 6kt.-Mutter | Hexagonal nut |
| 10 | 7971521 | Zylinder | Cylinder |
| 11 | 74450244 | 6kt.-Mutter | Hexagonal nut |
| 12 | 7972242 | L-Stecknippel | Plug |
| 13 | 255129 | Sicher.-Scheibe | Lock washer |
| 14 | 380289 | Scheibe | Washer |
| 15 | 557263 | Scheibe | Washer |
| 17 | 797413 | Ventil | Valve |
| 18 | 74255861 | Halter | Holder |
| 19 | 7441185 | Zyl.-Schraube | Cyl. head screw |
| 21 | 74240961 | Blasrohr kpl. (best. aus Pos. 22 bis 26) | Blowing pipe cpl. (cons. of pos. 22 up to 26) |
| 22 | 74240963 | Rohr | Pipe |
| 23 | 9231011147 | 6kt.-Mutter | Hexagonal nut |
| 24 | 7426228 | Klemmblock | Clamping block |
| 25 | 7441816 | Schl.-Verschr. | Hose coupling screw |
| 26 | 2124909 | Zyl.-Schraube | Cyl. head screw |
| 27 | 74242333 | Kloben | Block |
| 28 | 2124882 | Zyl.-Schraube | Cyl. head screw |
| 29 | 74242343 | Kloben | Block |
| 30 | 74242346 | Kulisse | Connecting link |
| 31 | 7391170a | Spannhülse | Clamping sleeve |
| 32 | 7426086 | 6kt.-Schraube | Hexagonal screw |
| 33 | 202704 | 6kt.-Mutter | Hexagonal nut |
| 34 | 74242372 | Raste kpl. (best. aus Pos. 35 bis 39) | Ratchet cpl. (cons. of pos. 35 up to 39) |
| 35 | 74242374 | Hebel | Lever |
| 36 | 74242381 | Buchse | Bush |
| 37 | 74242382 | Drehfeder | Torsion spring |
| 38 | 93320024 | Buchse | Bush |
| 39 | 2124841 | Sicher.-Ring | Circlip |
| 40 | 746879 | Zyl.-Schraube | Cyl. head screw |
| 41 | 74611858 | Buchse | Bush |
| 42 | 5701594 | Zyl.-Schraube | Cyl. head screw |
| 43 | 211100a | Sicher.-Scheibe | Lock washer |

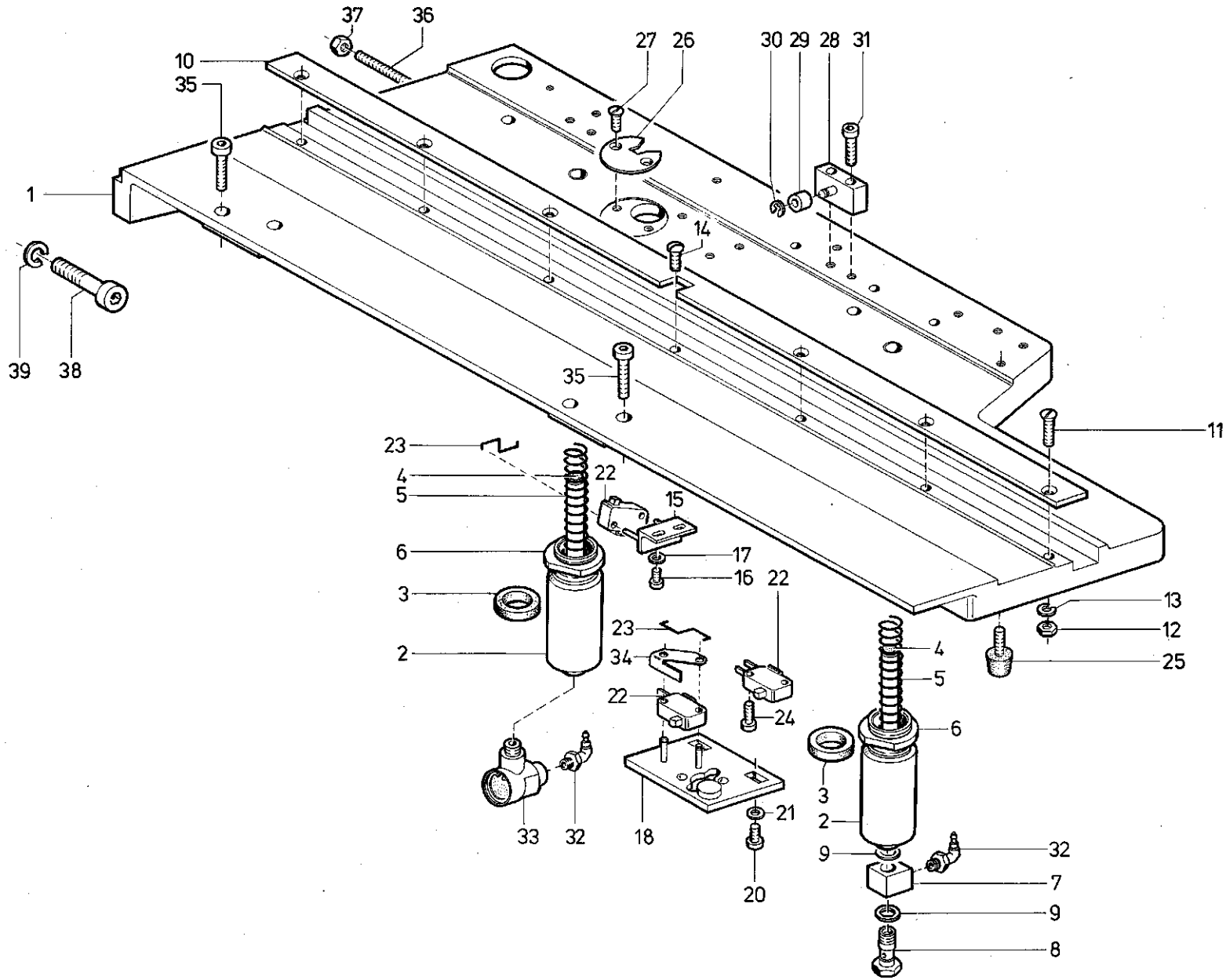
| Pos. Det. | Teile Nr. Part No. | Benennung | Denomination |
|-----------|--------------------|-----------|--------------|
|-----------|--------------------|-----------|--------------|

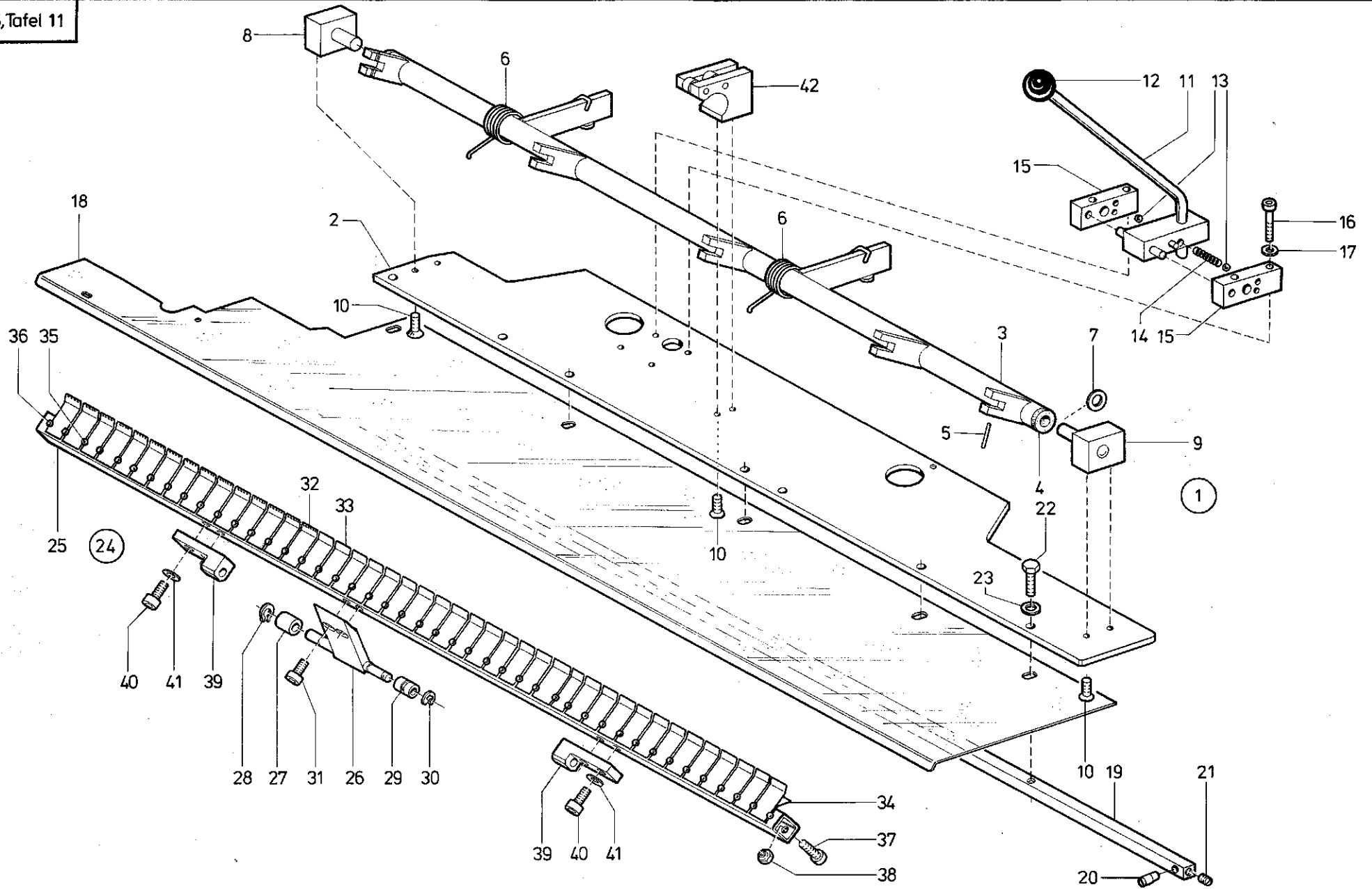
| Pos. Det. | Teile Nr. Part No. | Benennung | Denomination |
|-----------|--------------------|-----------|--------------|
|-----------|--------------------|-----------|--------------|

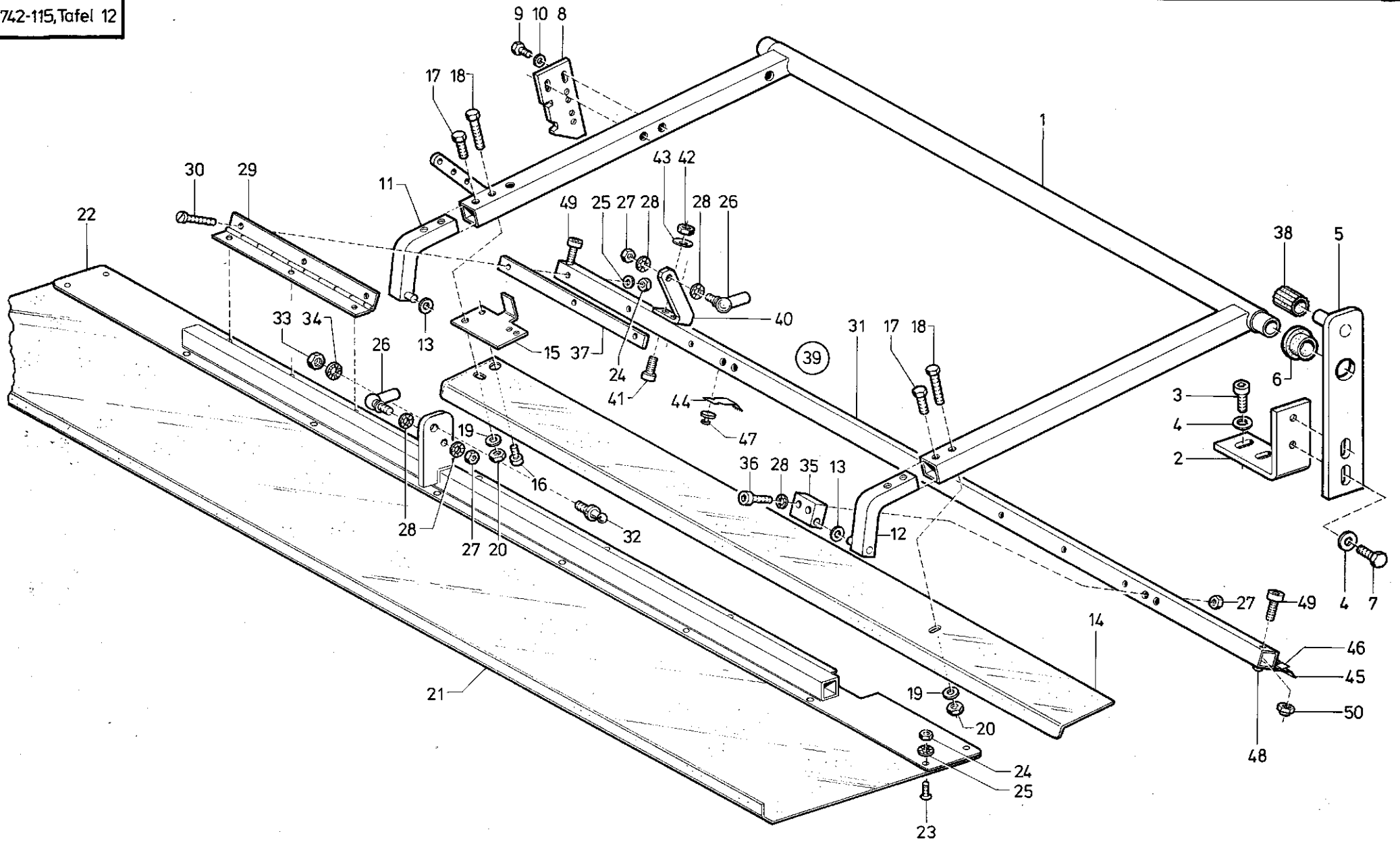
| Pos. Det. | Teile Nr. Part No. | Benennung | Denomination |
|-----------|--------------------|-----------------------------|-----------------------------|
| 1 | 74242587 | Platte kpl. (mit Pos. 2) | Plate cpl. (with pos. 2) |
| 2 | 7441509 | Zyl.-Schraube | Cyl. head screw |
| 3 | 746768 | L-Stecknippel | Plug |
| 4 | 746826 | Kugelbüchse | Ball type nippl |
| 5 | 74242603 | Filzteil | Felt |
| 6 | 74242604 | Scheibe | Washer |
| 7 | 74242598 | Sicher.-Ring | Safety ring |
| 8 | 74242606 | Buchse | Bush |
| 9 | 74242608 | O-Ring | O-Ring |
| 10 | 74242609 | O-Ring | O-Ring |
| 11 | 74242610 | O-Ring | O-Ring |
| 12 | 74242611 | Scheibe | Washer |
| 13 | 74242612a | Kolbenstange | Piston rod |
| 14 | 74242613 | Kolben | Piston |
| 15 | 7443142 | Sicher.-Scheibe | Circlip |
| 16 | 7426431 | Lippenring | Lip seal |
| 17 | 74242857 | Scheibe | Washer |
| 18 | 74242616a | Scheibe | Washer |
| 19 | 216656 | Sicher.-Scheibe | Circlip |
| 20 | 74242617a | Raste | Ratchet |
| 21 | 2132038 | Rolle | Roll |
| 22 | 5691895 | Scheibe | Washer |
| 23 | 7461033 | Zyl.-Schraube | Cyl. head screw |
| 24 | 74242635a | Welle | Shaft |
| 25 | 74242636 | Kloben | Block |
| 26 | 7441509 | Zyl.-Schraube | Cyl. head screw |
| 27 | 74242640a | Winkel | Angle |
| 28 | 7461033 | Zyl.-Schraube | Cyl. head screw |
| 29 | 798795 | Scheibe | Washer |
| 30 | 265177 | Stopfen | Plug |
| 31 | 74242647 | Zylinder | Cylinder |
| 32 | 202704 | 6kt.-Mutter | Hexagonal nut |
| 33 | 7395012 | 6kt.-Mutter | Hexagonal nut |
| 34 | 7972016 | Schlauchtülle | Hose socket |
| 35 | 74242651 | Schlauch | Hose |
| 36 | 7441968 | Zyl.-Schraube | Cyl. head screw |
| 37 | 74242655 | Kloben | Block |
| 38 | 74242658 | Stift | Pin |
| 39 | 570138 | Sicher.-Scheibe | Circlip |
| 40 | 74242661 | Kulisse | Crank |
| 41 | 746879 | Zyl.-Schraube | Cyl. head screw |
| 42 | 74242663 | Stift | Pin |
| 43 | MG 8/7d | 6kt.-Mutter | Hexagonal nut |
| 44 | 024275 | Scheibe | Washer |

| Pos. Det. | Teile Nr. Part No. | Benennung | Denomination |
|-----------|--------------------|--------------------------------|---------------------------------|
| 45 | 74242665 | Hebel | Lever |
| 46 | 570138 | Sicher.-Scheibe | Circlip |
| 47 | 93378909 | Gewindestift | Threaded stud |
| 48 | 5691873 | Zugfeder | Draw spring |
| 49 | 74242669 | Winkel | Angle |
| 50 | 7461033 | Zyl.-Schraube | Cyl. head screw |
| 51 | 570912 | Zyl.-Schraube | Cyl. head screw |
| 52 | 5691895 | Scheibe | Washer |
| 53 | 74242671 | Bolzen | Bolt |
| 54 | 5562588 | Linsenschraube | Fillister head screw |
| 55 | 74242673 | Platte | Plate |
| 56 | 746879 | Zyl.-Schraube | Cyl. head screw |
| 57 | Z 112611 | 3/2 Wege-Ventil | Valve |
| 58 | 7422036 | Zyl.-Schraube | Cyl. head screw |
| 59 | 202704 | 6kt.-Mutter | Hexagonal nut |
| 60 | 746768 | L-Stecknippel | Plug |
| 61 | 74242732 | Bolzen | Bolt |
| 62 | 74242734a | Scheibe | Washer |
| 63 | 74242735a | Lasche | Shackle |
| 64 | 74242736a | Blattfeder | Leaf spring |
| 65 | 223676 | Zyl.-Schraube | Cyl. head screw |
| 66 | 7443142 | Sicher.-Scheibe | Circlip |
| 67 | 74242743 | Nocken | Cam |
| 68 | 74242744 | Blattfeder | Leaf spring |
| 69 | 74242746a | Lasche | Shackle |
| 70 | 746879 | Zyl.-Schraube | Cyl. head screw |
| 71 | 024275 | Scheibe | Washer |
| 72 | 74242762a | Lasche | Shackle |
| 73 | 74245011 | Rolle | Roll |
| 74 | 255129 | Sicher.-Scheibe | Circlip |
| 75 | 7443142 | Sicher.-Scheibe | Circlip |
| 76 | 74242767 | Mutter | Nut |
| 77 | 5601941 | Zyl.-Schraube | Cyl. head screw |
| 78 | 5562029b | Zugfeder | Draw spring |
| 79 | 74242852a | Halter | Holder |
| 80 | 74650985 | 6kt.-Schraube | Hexagonal screw |
| 81 | 5561240 | Lasche | Shackle |
| 82 | 211455 | Zugfeder | Draw spring |
| 83 | 74242902 | Zylinder kpl. (mit Pos. 84) | Cylinder cpl. (with pos. 84) |
| 84 | 21154075 | Lippenring | Lip seal |
| 85 | 797412 | Drosselventil | Throttle valve |
| 86 | 74242914a | Lasche | Shackle |
| 87 | 223676 | Zyl.-Schraube | Cyl. head screw |
| 88 | 798795 | Scheibe | Washer |

| Pos. Det. | Teile Nr. Part No. | Benennung | Denomination |
|-----------|--------------------|--------------|---------------|
| 89 | 74242918 | Schwenkstück | Pivot piece |
| 90 | 74450244 | 6kt.-Mutter | Hexagonal nut |
| 91 | 74241349 | Stift | Pin |
| 92 | 7443545 | Zugfeder | Draw spring |



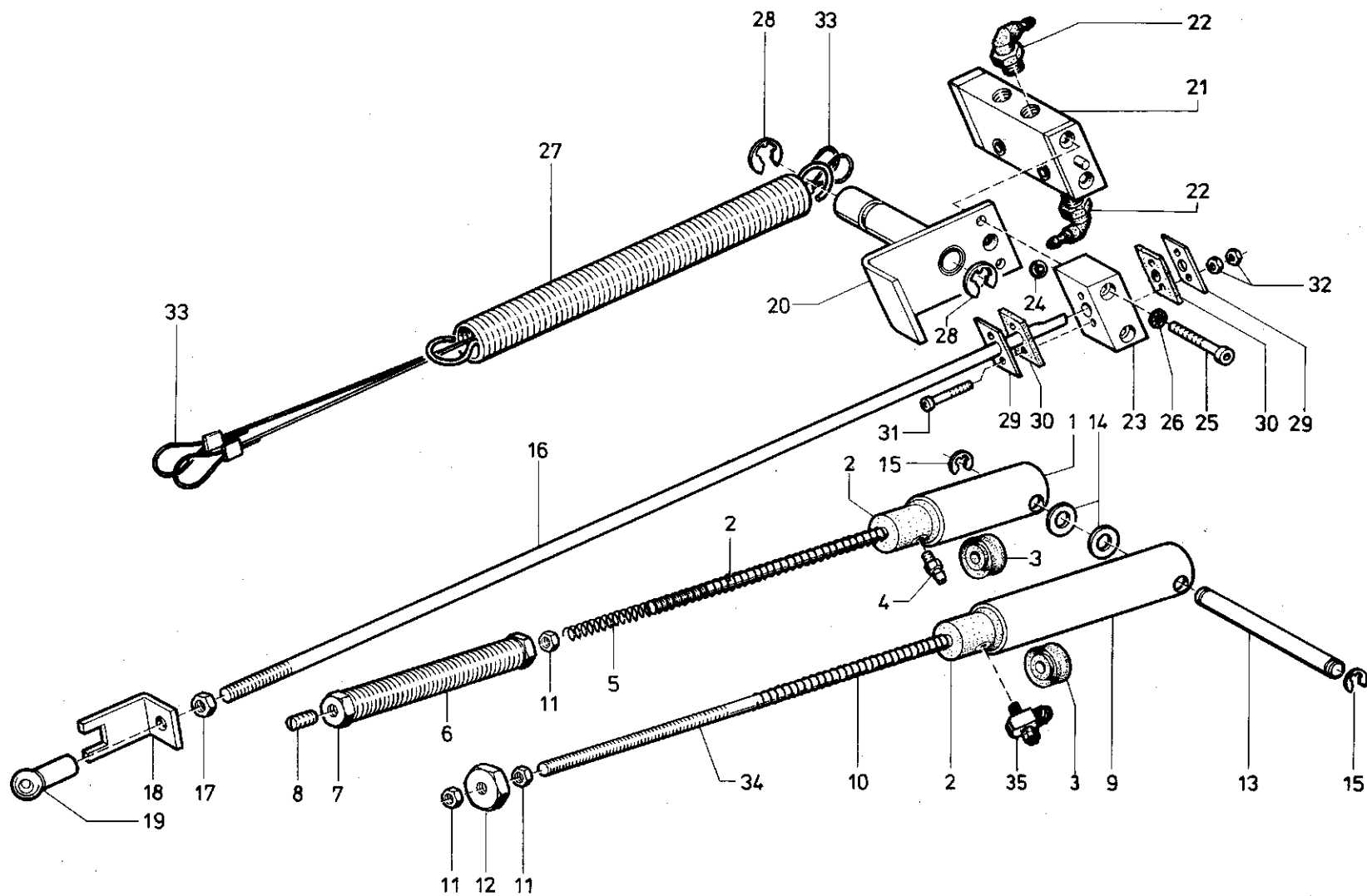


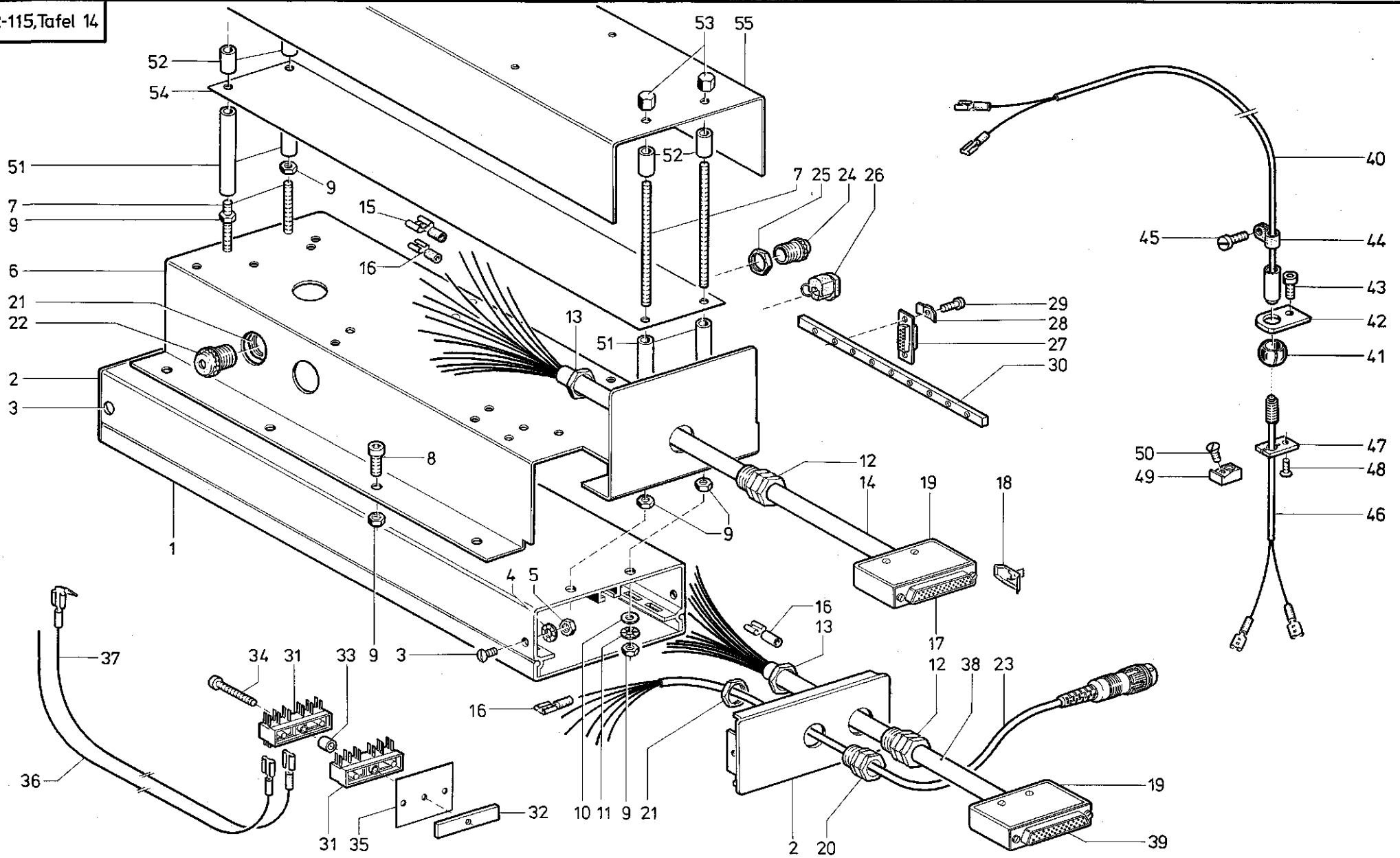


| Pos. Det. | Teile Nr. Part No. | Benennung | Denomination |
|-----------|--------------------|---|--|
| 1 | 74243162 | Schwenkarm | Swinging arm |
| 2 | 74243177 | Winkel | Square |
| 3 | 5701392 | Zyl.-Schraube | Cyl. head screw |
| 4 | 557263 | Scheibe | Washer |
| 5 | 74243181 | Lasche | Shackle |
| 6 | 74243183 | Buchse | Bush |
| 7 | P 121110 | 6kt.-Schraube | Hexagonal screw |
| 8 | 74243192 | Raste | Ratchet |
| 9 | 2691023 | 6kt.-Schraube | Hexagonal screw |
| 10 | 5691895 | Scheibe | Washer |
| 11 | 74243212 | Halter, links | Left holder |
| 12 | 74243213 | Halter, rechts | Right holder |
| 13 | 902514 | Scheibe | Washer |
| 14 | 74243218 | Abdeckung | Covering |
| 15 | 74243219 | Lasche | Shackle |
| 16 | 7461033 | Zyl.-Schraube | Cyl. head screw |
| 17 | 55881 | 6kt.-Schraube | Hexagonal screw |
| 18 | 93910071 | 6kt.-Schraube | Hexagonal screw |
| 19 | 024275 | Scheibe | Washer |
| 20 | MG 8/7d | 6kt.-Mutter | Hexagonal nut |
| 21 | 74243272 | Klappe | Flap of a flap table |
| 22 | 74243274 | Stützblech | Supporting plate |
| 23 | 933352 | Senkschraube | Countersunk screw |
| 24 | 5511824 | 6kt.-Mutter | Hexagonal nut |
| 25 | 739298 | Zahnscheibe | Tooth lock washer |
| 26 | 380286 | Winkelgelenk | Angle joint |
| 27 | 74450244 | 6kt.-Mutter | Hexagonal nut |
| 28 | 557111 | Zahnscheibe | Tooth lock washer |
| 29 | 74243287 | Stangenscharnier | Piano hinge |
| 30 | 7442229 | Zyl.-Schraube | Cyl. head screw |
| 31 | 74243236a | Rohr | Tube |
| 32 | 5701220 | Kugelbolzen | Ball pin |
| 33 | MG 43/408 | 6kt.-Mutter | Hexagonal nut |
| 34 | 211609 | Zahnscheibe | Tooth lock washer |
| 35 | 74243247 | Lagerbock | Pillow block |
| 36 | 74611448 | Zyl.-Schraube | Cyl. head screw |
| 37 | 74243288 | Lasche | Shackle |
| 38 | 74246733 | Schutzschlauch | Protective hose |
| 39 | 74243233 | Falllippe kpl. (best. aus Pos. 27, 28, 31, 35, 36, 40 bis 50) | Folding lip cpl. (cons. of pos. 27, 28, 31, 35, 36, 40 up to 50) |
| 40 | 74243238 | Hebel | Lever |
| 41 | 570912 | Zyl.-Schraube | Cyl. head screw |
| 42 | 5691895 | 6kt.-Mutter | Hexagonal nut |
| 43 | 569956 | Federscheibe | Spring washer |

| Pos. Det. | Teile Nr. Part No. | Benennung | Denomination |
|-----------|--------------------|---------------|-----------------|
| 44 | 74242874a | Blattfeder | Leaf spring |
| 45 | 74242875a | Blattfeder | Leaf spring |
| 46 | 74242877 | Blattfeder | Leaf spring |
| 47 | 74242878 | Knopf | Button |
| 48 | 74242879 | Knopf | Button |
| 49 | 246369 | Zyl.-Schraube | Cyl. head screw |
| 50 | 798120505 | 6kt.-Mutter | Hexagonal nut |

| Pos. Det. | Teile Nr. Part No. | Benennung | Denomination |
|-----------|--------------------|-----------|--------------|
|-----------|--------------------|-----------|--------------|

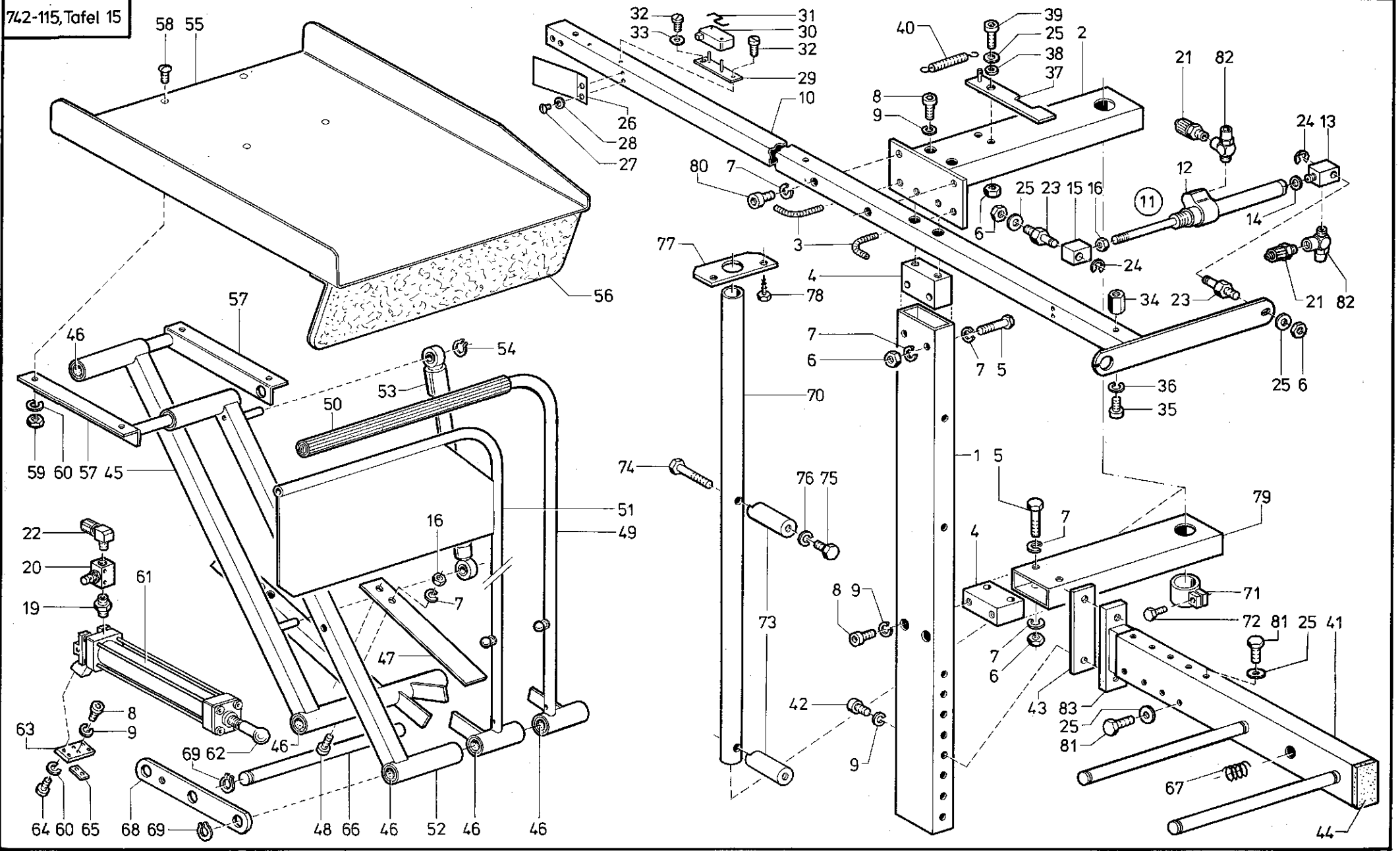




| Pos. Det. | Teile Nr. Part No. | Benennung | Denomination |
|-----------|--------------------|--|---|
| | | Verteiler | Distributor |
| 1 | 798202503 | Installationskanal | Installation conduit |
| 2 | 74240815 | Endstück | End piece |
| 3 | 219353 | Linsenschraube | Fillister head screw |
| 4 | 911267 | Zahnscheibe | Tooth lock washer |
| 5 | 202704 | 6kt.-Mutter | Hexagonal nut |
| 6 | 74243614 | Haltewinkel | Holding device |
| 7 | 74243616 | Gewindestange | Threaded rod |
| 8 | 556362 | Zyl.-Schraube | Cyl.-head screw |
| 9 | MG 43/409 | 6kt.-Mutter | Hexagonal nut |
| 10 | 557263 | Scheibe | Washer |
| 11 | 211609 | Zahnscheibe | Tooth lock washer |
| 12 | 7421535 | Druckschraube | Pressure screw |
| 13 | 7442207 | 6kt.-Mutter | Hexagonal nut |
| 14 | 74243683 | Leitung kpl. (mit Pos. 15, 16, 17, 18, 19) | Cable cpl. (with pos. 15, 16, 17, 18, 19) |
| 15 | 74424356 | Flachsteckhülse | Panel connector sleeve |
| 16 | Z 10010249 | Flachsteckhülse | Panel connector sleeve |
| 17 | 798481653 | Stiftleiste | Pin-type ridge |
| 18 | 798481655 | Verrieg.-Hebel | Locking lever |
| 19 | 798481656 | Steckgehäuse | Connector shell |
| 20 | 74424518 | Druckschraube | Pressure screw |
| 21 | 739225 | 6kt.-Mutter | Hexagonal nut |
| 22 | 911709 | Würgenippel | Twist nipple |
| 23 | 74243857 | Leitung kpl. (mit Pos. 16) | Cable cpl. (with pos. 16) |
| 24 | MG 41/8472 | Würgenippel | Twist nipple |
| 25 | MG 41/8473 | 6kt.-Mutter | Hexagonal nut |
| 26 | 798221002 | Durchführung | Duct |
| 27 | 798481662 | Buchsenleiste | Socket terminal strip |
| 28 | 798481664 | Riegellasche | Shackle |
| 29 | 74423855 | Zyl.-Schraube | Cyl. head screw |
| 30 | 74243711 | Gewindeleiste | Threading ridge |
| 31 | 7465018 | Steckleiste | Multipole connector |
| 32 | 74240824 | Gewindeschiene | Threading rail |
| 33 | 7465019 | Distanzhülse | Distance sleeve |
| 34 | MG 41/4571 | Zyl.-Schraube | Cyl. head screw |
| 35 | 7465020 | Bez.-Schild | Name plate |
| 36 | 74243724 | Leitung | Cable |
| 37 | 74243727 | Leitung | Cable |
| 38 | 74243731 | Leitung kpl. (mit Pos. 16, 18, 19, 39) | Cable cpl. (with pos. 16, 18, 19, 39) |

| Pos. Det. | Teile Nr. Part No. | Benennung | Denomination |
|-----------|--------------------|-------------------|-----------------------|
| 39 | 798481652 | Buchsenleiste | Socket terminal strip |
| 40 | 74243738 | Lichtschr.-Sender | Light barrier sender |
| 41 | Z 119341 | Kugelbuchse | Ball-type nipple |
| 42 | 74243748 | Lasche | Shackle |
| 43 | 746879 | Zyl.-Schraube | Cyl. head screw |
| 44 | 94210318 | Bef.-Schelle | Fastening clip |
| 45 | 216601 | Zyl.-Schraube | Cyl. head screw |
| 46 | 74243752 | Empfänger | Receiver |
| 47 | 74243760 | Lasche | Shackle |
| 48 | 551987 | Senkschraube | Countersunk screw |
| 49 | 74243762 | Halter | Holder |
| 50 | 55613606 | Senkschraube | Countersunk screw |
| 51 | 74243871 | Hülse | Sleeve |
| 52 | 74611858 | Hülse | Sleeve |
| 53 | P 12127 | Hutmutter | Dome nut |
| 54 | 74243872 | Abdeckplatte | Covering plate |
| 55 | 74243874 | Haube | Top |

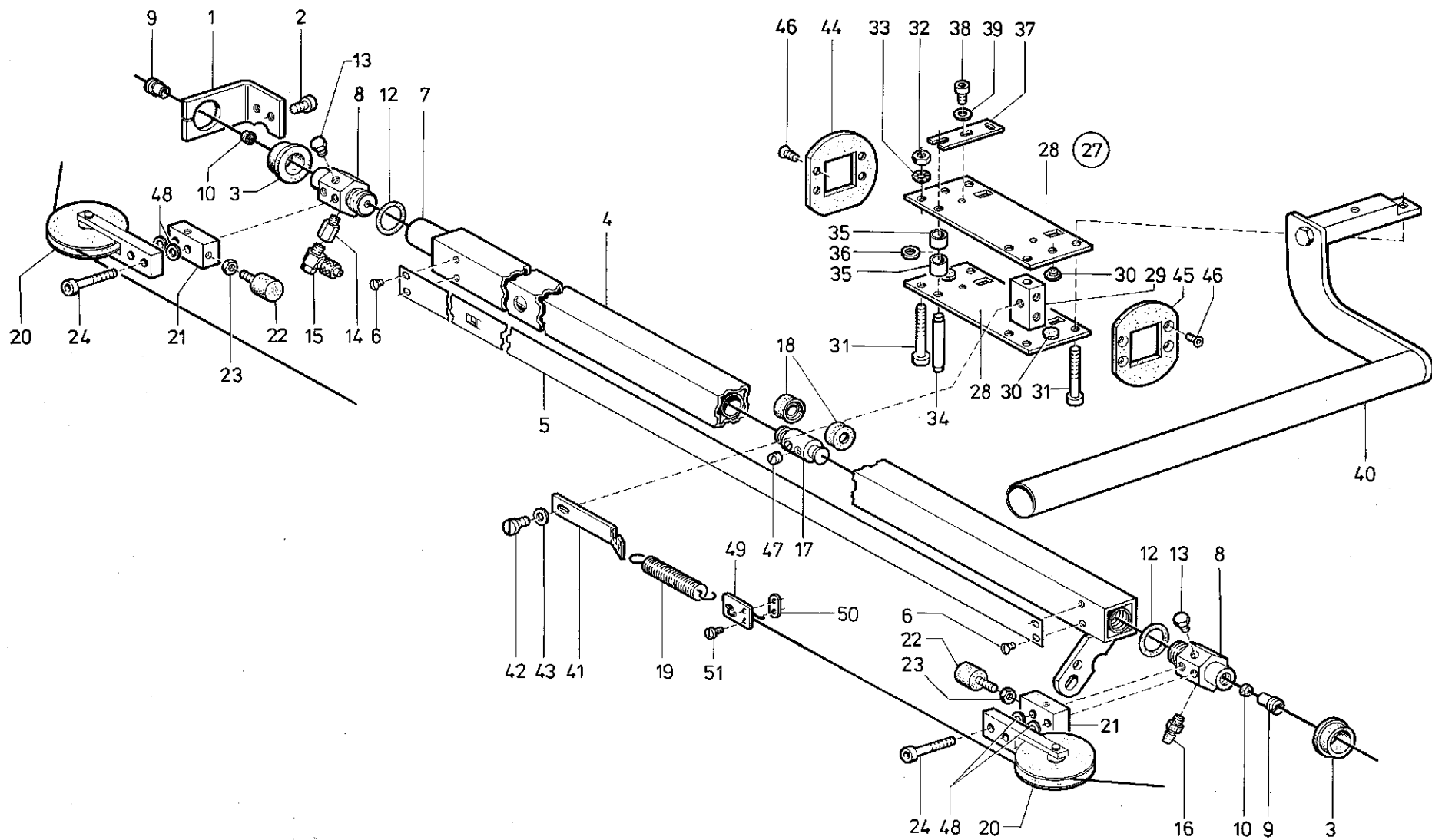
| Pos. Det. | Teile Nr. Part No. | Benennung | Denomination |
|-----------|--------------------|-----------|--------------|
| | | | |



| Pos. Det. | Teile Nr. Part No. | Benennung | Denomination |
|-----------|--------------------|---|--|
| | | Stapler | Stacker |
| 1 | 74244106 | Holm | Stringer |
| 2 | 74244108 | Schwenkarm | Swinging arm |
| 3 | 74221556 | Zugfeder | Draw spring |
| 4 | 7441013 | Rohrverbinder | Tube joint |
| 5 | 720607 | 6kt.-Schraube | Hexagonal screw |
| 6 | 72042a | 6kt.-Mutter | Hexagonal nut |
| 7 | 725520b | Federring | Spring ring |
| 8 | 8425098 | Zyl.-Schraube | Cyl. head screw |
| 9 | 7441017 | Federring | Spring ring |
| 10 | 74244155 | Ständer | Stay |
| 11 | 74244233 | Zylinder kpl. (best. aus Pos. 12 bis 16) | Cylinder cpl. (cons. of pos. 12 up to 16) |
| 12 | 74427748 | Zylinder | Cylinder |
| 13 | 74221483 | Anschl.-Stück | Joining piece |
| 14 | P 12155 | Dichtung | Gasket |
| 15 | 74221486 | Bef.-Kloben | Fastening block |
| 16 | 231454 | 6kt.-Mutter | Hexagonal nut |
| 19 | 7972605 | Doppelnippel | Double nipple |
| 20 | 7441820 | Drosselventil | Throttle valve |
| 21 | 74423566 | Schl.-Verschr. | Hose coupling screw |
| 22 | 74423556 | L-Verschraubung | L-coupling screw |
| 23 | 74221494 | Bolzen | Bolt |
| 24 | 7443142 | Sicher.-Scheibe | Circlip |
| 25 | 72043 | Scheibe | Washer |
| 26 | 74221528 | Blattfeder | Leaf spring |
| 27 | 10019130 | Linsenschraube | Fillister head screw |
| 28 | 5691895 | Scheibe | Washer |
| 29 | 74221571 | Platte | Plate |
| 30 | 739878 | Basisschalter | Base switch |
| 31 | 74221574 | Sicher.-Draht | Safety wire |
| 32 | 739297 | Zyl.-Schraube | Cyl. head screw |
| 33 | 1005233 | Scheibe | Washer |
| 34 | 74221547 | 6kt.-Mutter | Hexagonal nut |
| 35 | 246984 | Zyl.-Schraube | Cyl. head screw |
| 36 | 5692773 | Federring | Spring ring |
| 37 | 74244462 | Raste | Ratchet |
| 38 | 5696995 | Ring | Ring |
| 39 | 7425098 | Zyl.-Schraube | Cyl. head screw |
| 40 | 5561155 | Zugfeder | Draw spring |
| 41 | 74244482 | Rohr | Tube |
| 42 | 911376 | Zyl.-Schraube | Cyl. head screw |
| 43 | 74244490 | Lasche | Shackle |

| Pos. Det. | Teile Nr. Part No. | Benennung | Denomination |
|-----------|--------------------|--|---|
| 44 | 71811043 | Lamellenstopfen | Plug |
| 45 | 74221671 | Hebel kpl. (mit Pos. 46) | Lever cpl. (with pos. 46) |
| 46 | Z 112127 | Buchse | Bush |
| 47 | 74221678 | Blattfeder | Leaf spring |
| 48 | 7441107 | Zyl.-Schraube | Cyl. head screw |
| 49 | 74244503 | Stoffklemme kpl. (mit Pos. 46 und 50) | Cloth clamping device cpl. (with pos. 46 and 50) |
| 50 | 00271062100 | Schutzschlauch | Protective hose |
| 51 | 74244517 | Stoffklemme kpl. (mit Pos. 46) | Cloth clamping device cpl. (with pos. 46) |
| 52 | 74221722 | Hebel kpl. (mit Pos. 46) | Lever cpl. (with pos. 46) |
| 53 | 74221734 | Stoßdämpfer | Shock absorber |
| 54 | 74422395 | Greifring | Gripping ring |
| 55 | 74244553 | Stoffauflage kpl. (mit Pos. 56) | Material feed board cpl. (with pos. 56) |
| 56 | 74244558 | Belag | Coating |
| 57 | 74221777 | Winkel | Square |
| 58 | 216364 | Linsenschraube | Fillister head screw |
| 59 | 2113028 | 6kt.-Mutter | Hexagonal nut |
| 60 | 7441131 | Federring | Spring ring |
| 61 | 74221791 | Zylinder kpl. (mit Pos. 62) | Cylinder cpl. (with pos. 62) |
| 62 | 7423255 | Kugelpfanne | Ball socket |
| 63 | 74221801 | Platte | Plate |
| 64 | 556362 | Zyl.-Schraube | Cyl. head screw |
| 65 | 74244586 | Lasche | Shackle |
| 66 | 74221652 | Bolzen | Bolt |
| 67 | 74221656 | Druckfeder | Pressure spring |
| 68 | 74221653 | Lasche | Shackle |
| 69 | Z 112224 | Sicher.-Ring | Circlip |
| 70 | 74244722 | Halterohr | Holding tube |
| 71 | 7423023 | Stellring kpl. (mit Pos. 72) | Set collar cpl. (with pos. 72) |
| 72 | 720127 | 6kt.-Schraube | Hexagonal screw |
| 73 | 74244727 | Haltekloben | Retaining block |
| 74 | 746641 | 6kt.-Schraube | Hexagonal screw |
| 75 | MG 43/11 | 6kt.-Schraube | Hexagonal screw |
| 76 | MG 43/12 | Federring | Spring ring |
| 77 | 74244733 | Lasche | Shackle |
| 78 | 5571494a | Blechschrabe | Screw |
| 79 | 74244113 | Rohr | Tube |
| 80 | MG 43/36 | Zyl.-Schraube | Cyl. head screw |
| 81 | App. 20160 | 6kt.-Schraube | Hexagonal screw |

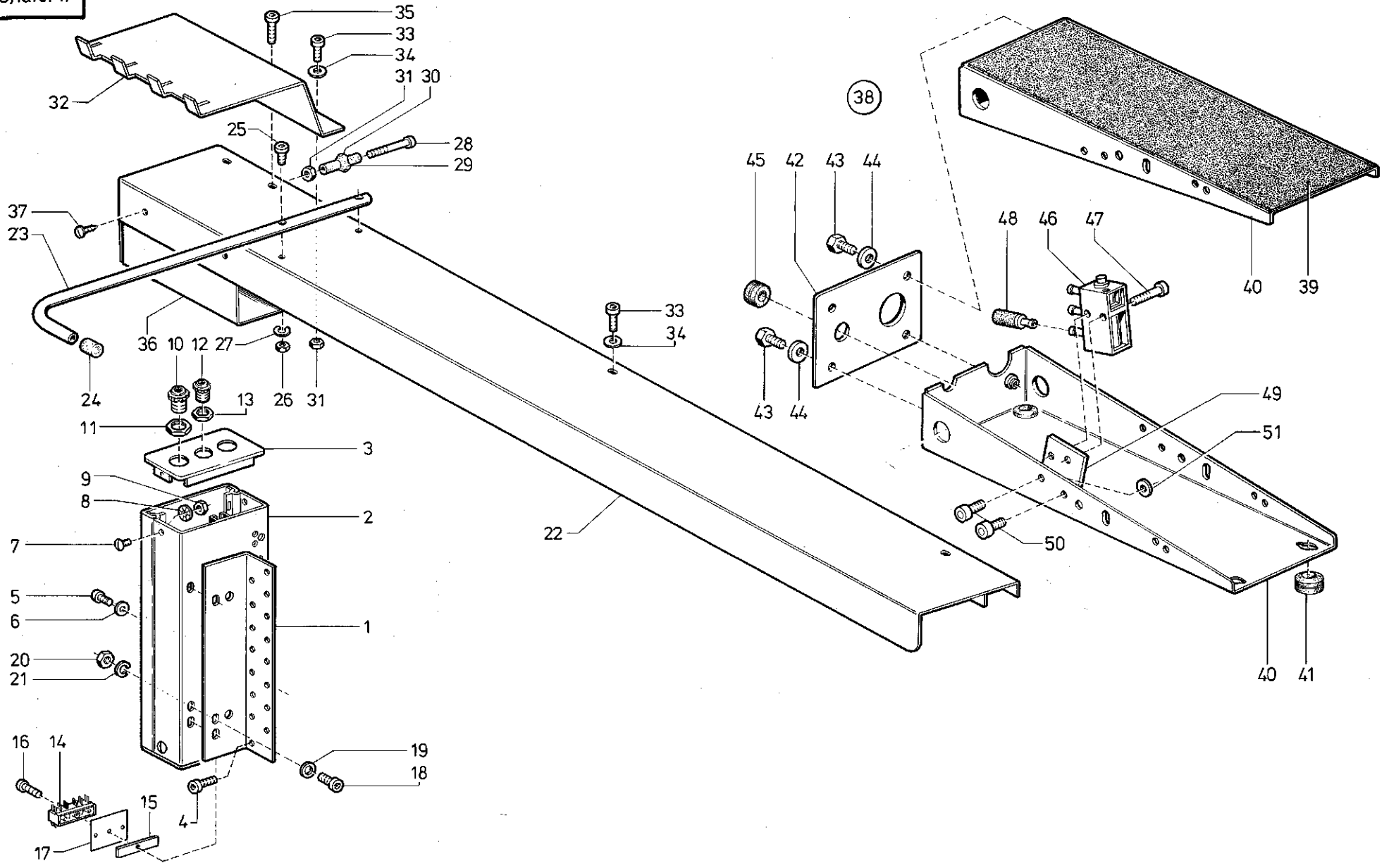
| Pos. Det. | Teile Nr. Part No. | Benennung | Denomination |
|-----------|--------------------|---------------|----------------|
| 82 | 797409 | Drosselventil | Throttle valve |
| 83 | 74244485 | Halter | Carrier |

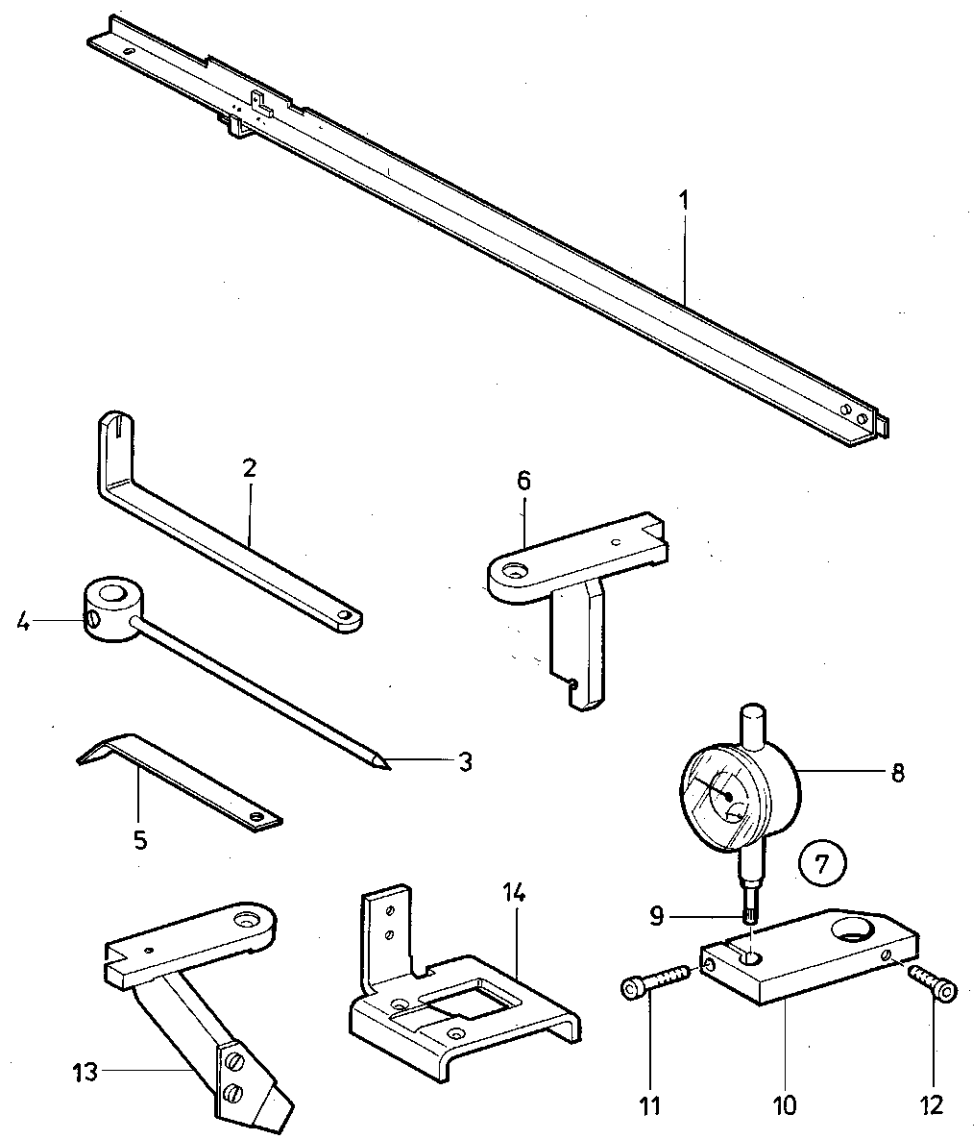
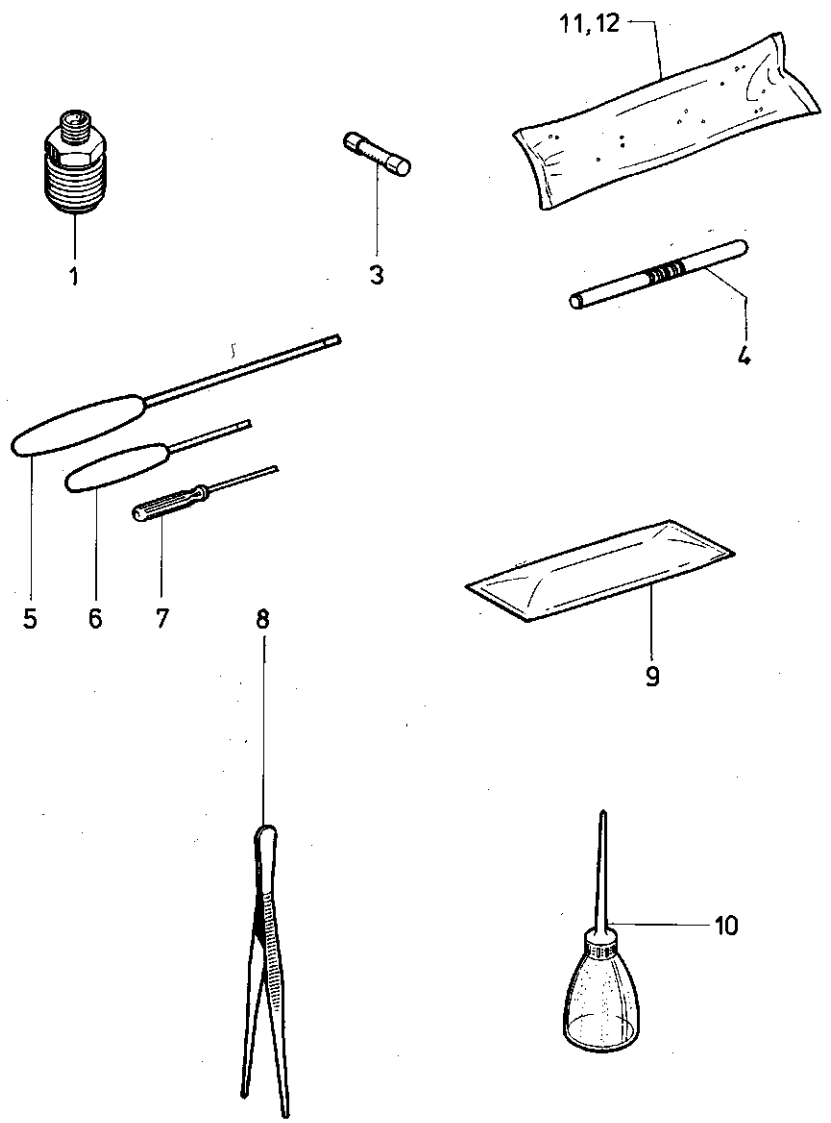


| Pos. Det. | Teile Nr. Part No. | Benennung | Denomination |
|-----------|--------------------|---|---|
| | | Ausstreifeinrichtung | Stripping Device |
| 1 | 74221414 | Halfewinkel | Supporting angle |
| 2 | 746879 | Zyl.-Schraube | Cyl. head screw |
| 3 | 74421695 | Buchse | Bush |
| 4 | 74221421 | Rohr | Tube |
| 5 | 74221427 | Federband | Spring leaf |
| 6 | 93363984 | Linsenschraube | Fillister head screw |
| 7 | 74221431 | Zylinder-Rohr | Cylindrical tube |
| 8 | 74221432 | Anschlußstück | Fitting |
| 9 | 74221439 | Schraube | Screw |
| 10 | 74221438 | Lippenring | Labial ring |
| 12 | 2462576 | O-Ring | O-ring |
| 13 | 5701847 | Blindstopfen | Blind plug |
| 14 | 7462208 | Verb.-Stück | Joining piece |
| 15 | 746768 | Verschraubung | Coupling screw |
| 16 | 7972016 | Schl.-Tülle | Hose nozzle |
| 17 | 74221441 a | Kolben kpl. + Zugseil (mit Pos. 18 und 47) | Piston cpl. (with pos. 18 and 47) |
| 18 | 2462566 | Lippenring | Lip seal |
| 19 | 74221448 | Zugfeder | Draw spring |
| 20 | 74221451 | Rolle | Roll |
| 21 | 74221458 | Distanzstück | Distance piece |
| 22 | 74221459 | Gummipuffer | Rubber buffer |
| 23 | 202704 | 6kt.-Mutter | Hexagonal nut |
| 24 | 2386530 | Zyl.-Schraube | Cyl. head screw |
| 27 | 74244272 | Laufwagen kpl. (best. aus Pos. 28 bis 46) | Running carriage cpl. (cons. of pos. 28 up to 46) |
| 28 | 74221503a | Lasche | Shackle |
| 29 | 74221504 | Abstandhalter | Spacer |
| 30 | 93310848 | Gleitscheibe | Slide rail |
| 31 | 74221510 | Zyl.-Schraube | Cyl. head screw |
| 32 | 74450244 | 6kt.-Mutter | Hexagonal nut |
| 33 | 557111 | Zahnscheibe | Tooth lock washer |
| 34 | 74221511 a | Stift | Pin |
| 35 | 570777 | Nadelkranz | Needle collar |
| 36 | Z 123205 | Distanzbuchse | Distance bush |
| 37 | 74221514 | Lasche | Shackle |
| 38 | 246360 | Zyl.-Schraube | Cyl. head screw |
| 39 | 5691895 | Scheibe | Washer |
| 40 | 74244301 | Ausstreifer | Stripper |
| 41 | 74221517 | Lasche | Shackle |
| 42 | 2231296 | Zyl.-Schraube | Cyl. head screw |
| 43 | 024275 | Scheibe | Washer |

| Pos. Det. | Teile Nr. Part No. | Benennung | Denomination |
|-----------|--------------------|---------------|-------------------|
| 44 | 74221522 | Schaltscheibe | Indexing plate |
| 45 | 74221523 | Schaltscheibe | Indexing plate |
| 46 | 9392500 | Senkschraube | Countersunk screw |
| 47 | 223648 | Gewindestift | Threaded stud |
| 48 | 74450243 | Scheibe | Washer |
| 49 | 74221445a | Lasche | Shackle |
| 50 | 227596 | Lasche | Shackle |
| 51 | 739297 | Zyl.-Schraube | Cyl. head screw |

| Pos. Det. | Teile Nr. Part No. | Benennung | Denomination |
|-----------|--------------------|-----------|--------------|
|-----------|--------------------|-----------|--------------|

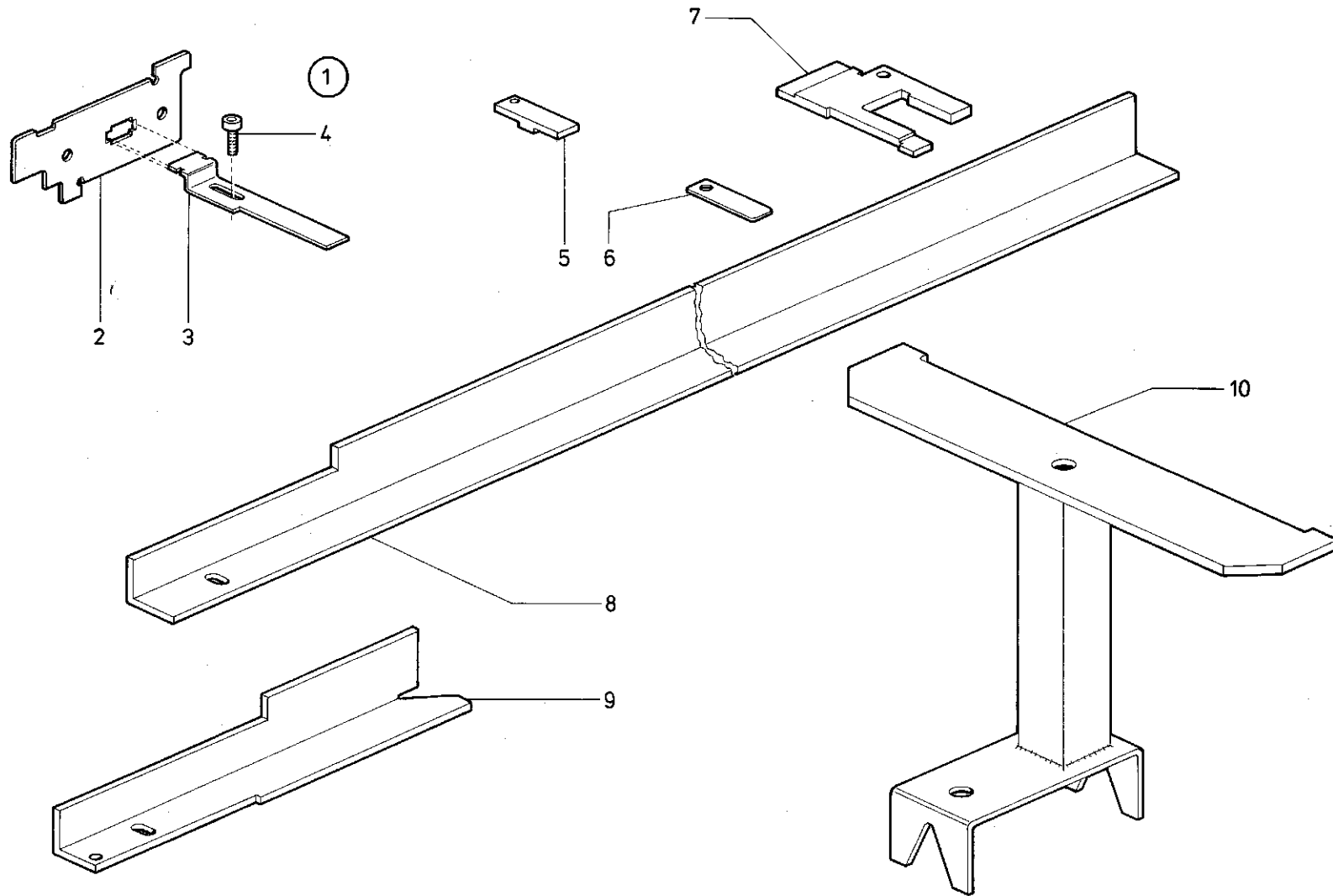


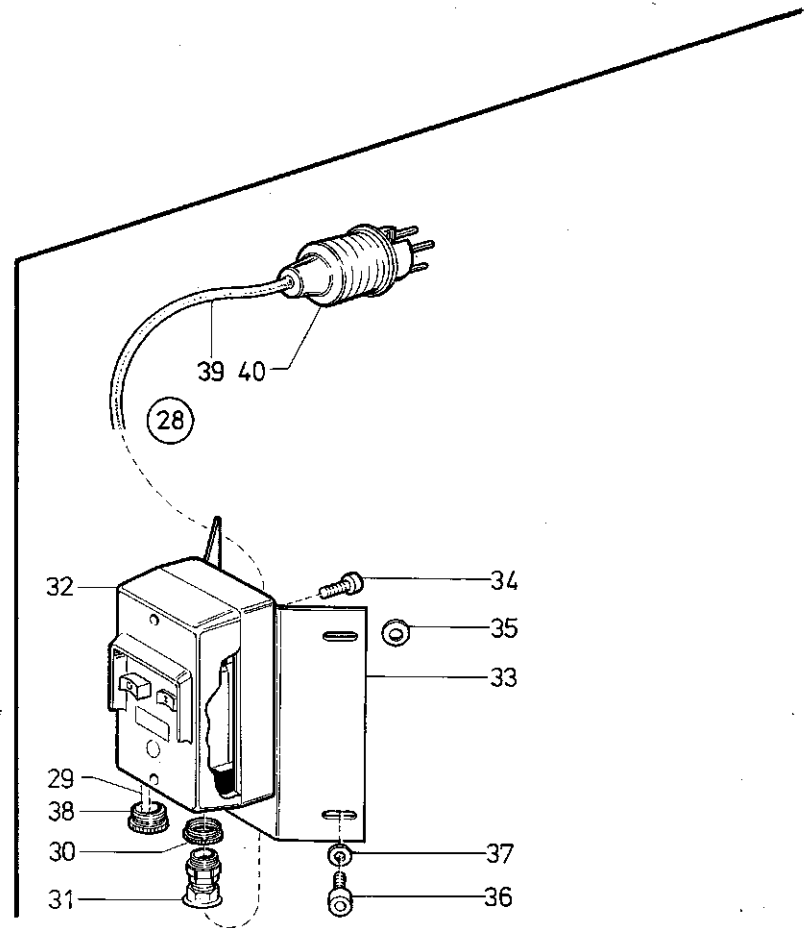
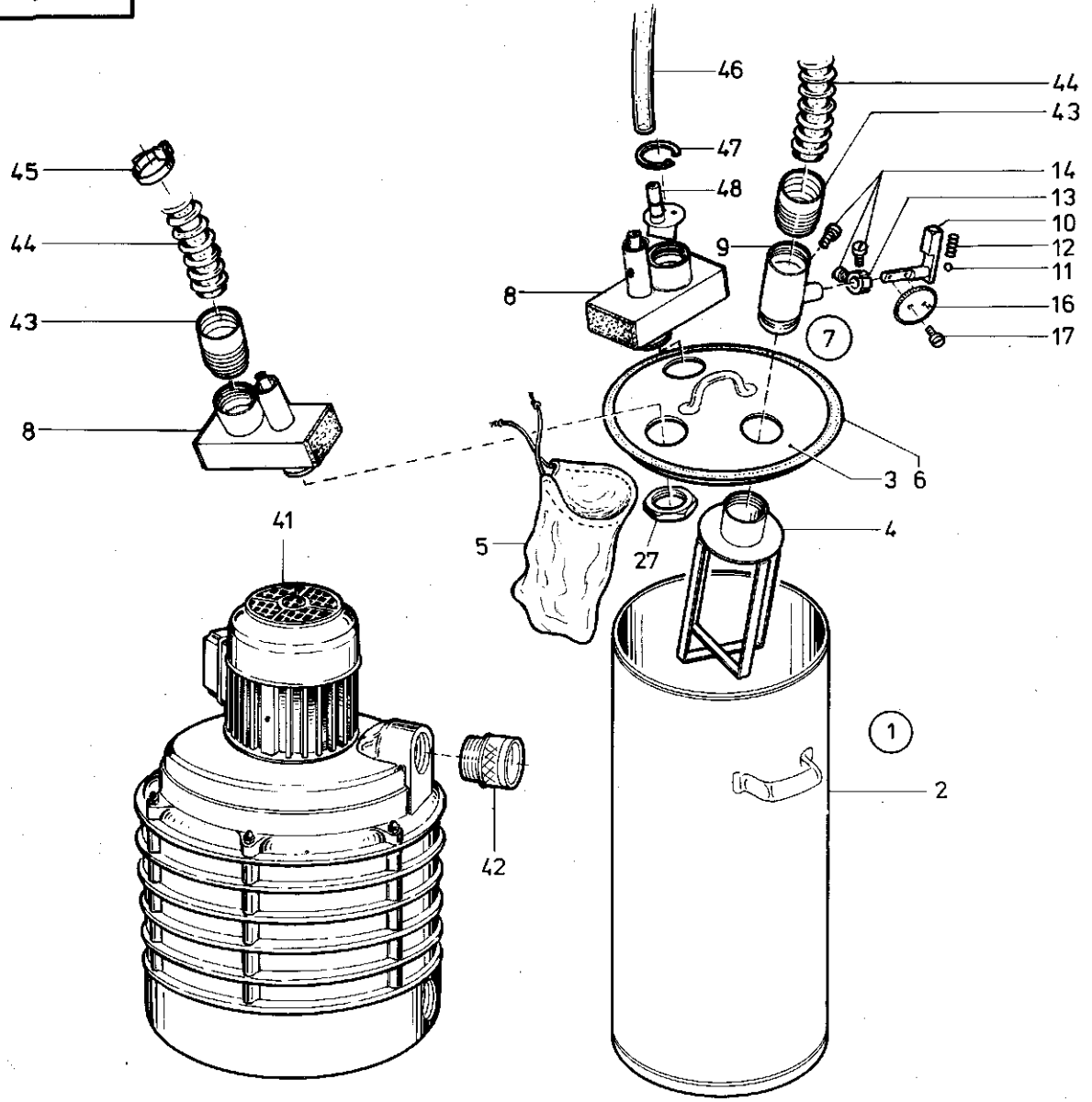


| Pos. Det. | Teile Nr. Part No. | Benennung | Denomination |
|-----------|--------------------|---|---|
| | | Beipack | Accessories |
| 1 | 7441793a | Schl.-Kupplung | Hose coupling |
| 3 | Z 13032 | Feinsicherung (für Steuertrafo) | Fine-wire fuse (for Controlling trafo) |
| 3 | 798460371 | Feinsicherung (für 24 Volt) | Fine-wire fuse (for 24 Volt) |
| 4 | 211700 | Einstellstift | Set pin |
| 5 | App. 53 | Schraubendreher | Screw driver |
| 6 | App. 55 | Schraubendreher | Screw driver |
| 7 | App. 56 | Schraubendreher | Screw driver |
| 8 | 5571349 | Pinzette | Pair of tweezers |
| 9 | 0016100/100 | Brief Nadeln | Book of needles |
| 10 | 052369 | Ölkanne | Oil can |
| 11 | 211669 | Ölkissen | Oil pillow |
| 12 | 93311517 | Fad.-Gleitmittel | Thread lubricant |
| | | Einstellehren | Setting gauges |
| 1 | 74246111 | Lehre | Gauge |
| 2 | 93380192 | Lehre kpl. (mit Pos. 3) | Gauge cpl. (with pos. 3) |
| 3 | 93380194 | Zeiger kpl. (mit Pos. 4) | Needle cpl. (with pos. 4) |
| 4 | 223237 | Gewindestift | Threaded stud |
| 5 | 93380200 | Lehre | Gauge |
| 6 | 93380203 | Lehre | Gauge |
| 7 | 93380207 | Meßuhr kpl. (best. aus Pos. 8 bis 12) | Measurement clockwork cpl. (cons. of pos. 8 up to 12) |
| 8 | 933744 | Meßuhr | Measurement clockwork |
| 9 | 93380209 | Gewindebolzen | Threaded bolt |
| 10 | 93380211 | Klemmblock kpl. (mit Pos. 11 und 12) | Clamping block cpl. (with pos. 11 and 12) |
| 11 | 7461212 | Zyl.-Schraube | Cyl. head screw |
| 12 | 7441968 | Zyl.-Schraube | Cyl. head screw |
| 13 | 93380221 | Lehre | Gauge |
| 14 | 93380218 | Lehre | Gauge |

| Pos. Det. | Teile Nr. Part No. | Benennung | Denomination |
|-----------|--------------------|-----------|--------------|
|-----------|--------------------|-----------|--------------|

| Pos. Det. | Teile Nr. Part No. | Benennung | Denomination |
|-----------|--------------------|-----------|--------------|
|-----------|--------------------|-----------|--------------|

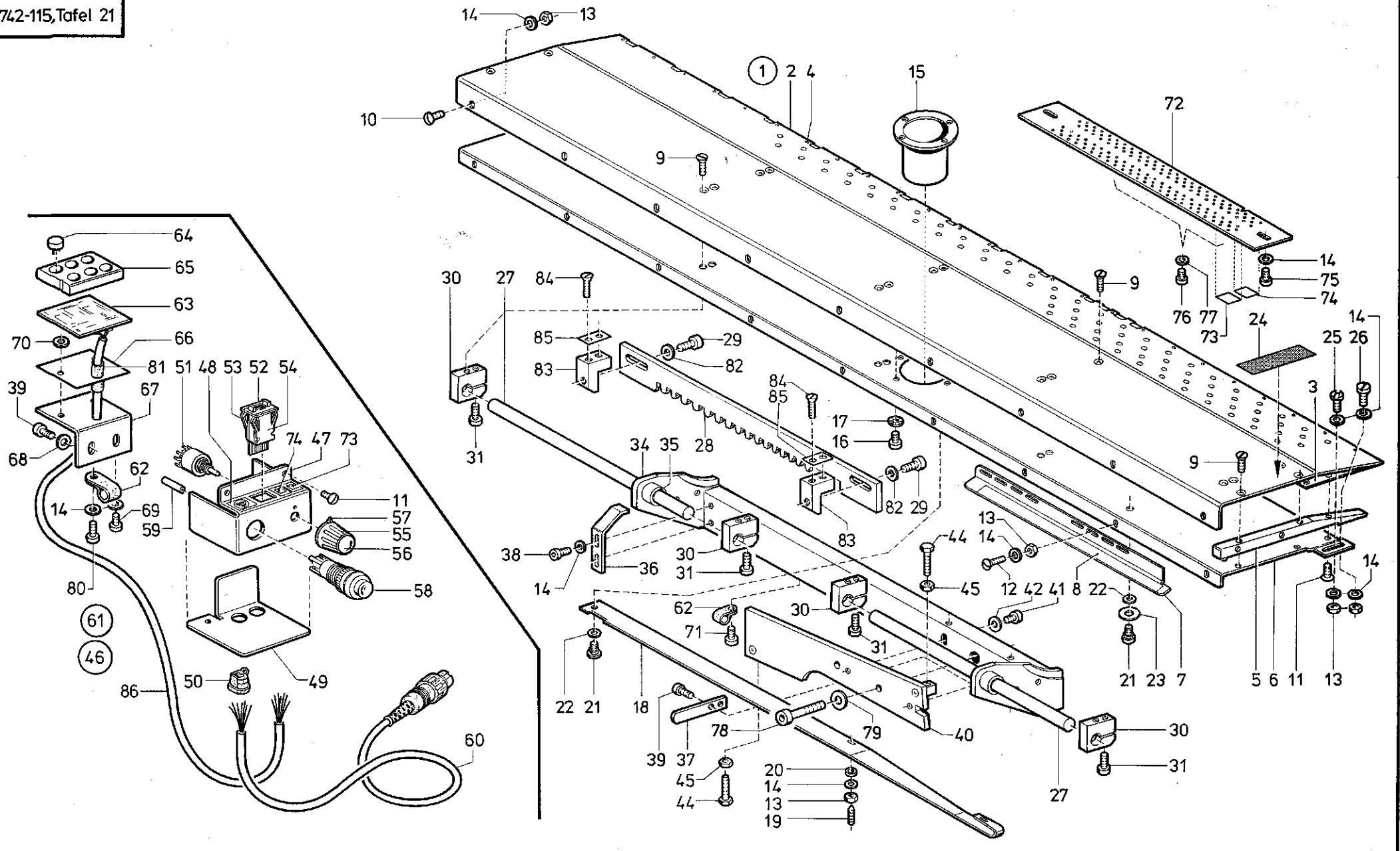




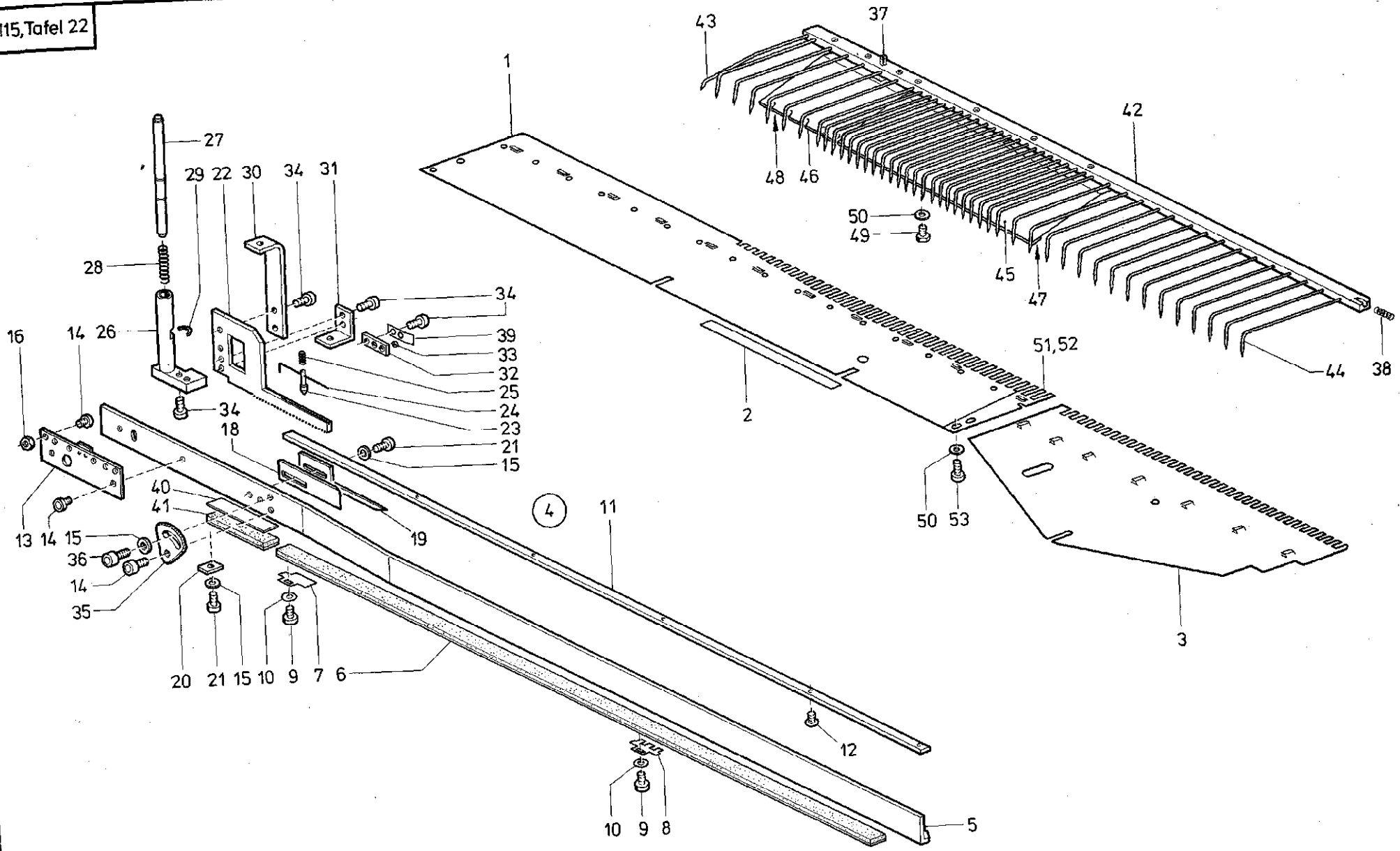
| Pos. Det. | Teile Nr. Part No. | Benennung | Denomination |
|-----------|--------------------|---|--|
| | | Absaugbehälter/ Gebläse | Exhaust box/ Blowing engine |
| 1 | 74244962 | Behälter kpl. (best. aus Pos. 2 bis 27, 43 bis 48) | Box cpl. (cons. of pos. 2 up to 27, 43 up to 48) |
| 2 | 722694 | Behälter | Box |
| 3 | 7221514 | Deckel | Cover |
| 4 | 722711 | Halter | Retainer |
| 5 | 722717 | Filter | Filter |
| 6 | 722721 | Dichtungsring | Gasket ring |
| 7 | 74244978 | Ventilgehäuse kpl. (best. aus Pos. 9, 10, 11, 12, 13, 14, 16, 17) | Valve housing cpl. (cons. of pos. 9, 10, 11, 12, 13, 14, 16, 17) |
| 9 | 74244980 | Ventilgehäuse | Valve housing |
| 10 | 74244986 | Hebel | Lever |
| 11 | MG 41/4260a | Kugel | Steel ball |
| 12 | 249364a | Druckfeder | Pressure spring |
| 13 | 74244989 | Stellring | Set collar |
| 14 | 93646 | Zyl.-Schraube | Cyl. head screw |
| 27 | 722835 | 6kt.-Mutter | Hexagonal nut |
| 28 | 7223042 | Anschlußleitung kpl. (best. aus Pos. 29 bis 40) | Connection cable cpl. (cons. of pos. 29 up to 40) |
| 29 | 7223074 | Leitung | Cable |
| 30 | 739392 | Reduzierring | Reducing ring |
| 31 | 798497 | Kabelverschraubung | Cable screwing |
| 32 | MG 41/3041 | Iso-Gehäuse | Iso-Housing |
| 33 | 7223094 | Winkel | Angle |

| Pos. Det. | Teile Nr. Part No. | Benennung | Denomination |
|-----------|--------------------|---------------------------------|--------------------------------------|
| 34 | 798794 | Zyl.-Schraube | Cyl. head screw |
| 35 | 798795 | Scheibe | Washer |
| 36 | 746879 | Zyl.-Schraube | Cyl. head screw |
| 37 | 74450243 | Scheibe | Washer |
| 38 | 2401129 | Würgenippel | Twist nipple |
| 39 | 7223067 | Leitung kpl. (mit Pos. 40) | Cable cpl. (with pos. 40) |
| 40 | MG 41/852a | Stecker | Contact plug |
| 41 | 7223031K | Gebläse K 3 x 380-415V 50 Hz | Blowing engine 3 x 380-415V 50 Hz |
| | 7223033K | Gebläse K 3 x 220-240V 50 Hz | Blowing engine 3 x 220-240V 50 Hz |
| | 7223034K | Gebläse K 3 x 220-230V 60 Hz | Blowing engine 3 x 220-230V 60Hz |
| 42 | 7223026 | Anschlußstück | Connector |
| 43 | 722728 | Anschlußstück | Connector |
| 44 | 9732101080 | Schlauch, Spiral | Hose, spiral |
| 45 | 722727 | Schelle | Clip |
| 46 | 00020089300700 | Schlauch | Hose |
| 47 | 74245040 | Sicher.-Ring | Lock ring |
| 48 | 74245036 | Deckel | Cover |
| 49 | 74245032 | Blech | Plate |

| Pos. Det. | Teile Nr. Part No. | Benennung | Denomination |
|-----------|--------------------|-----------|--------------|
|-----------|--------------------|-----------|--------------|



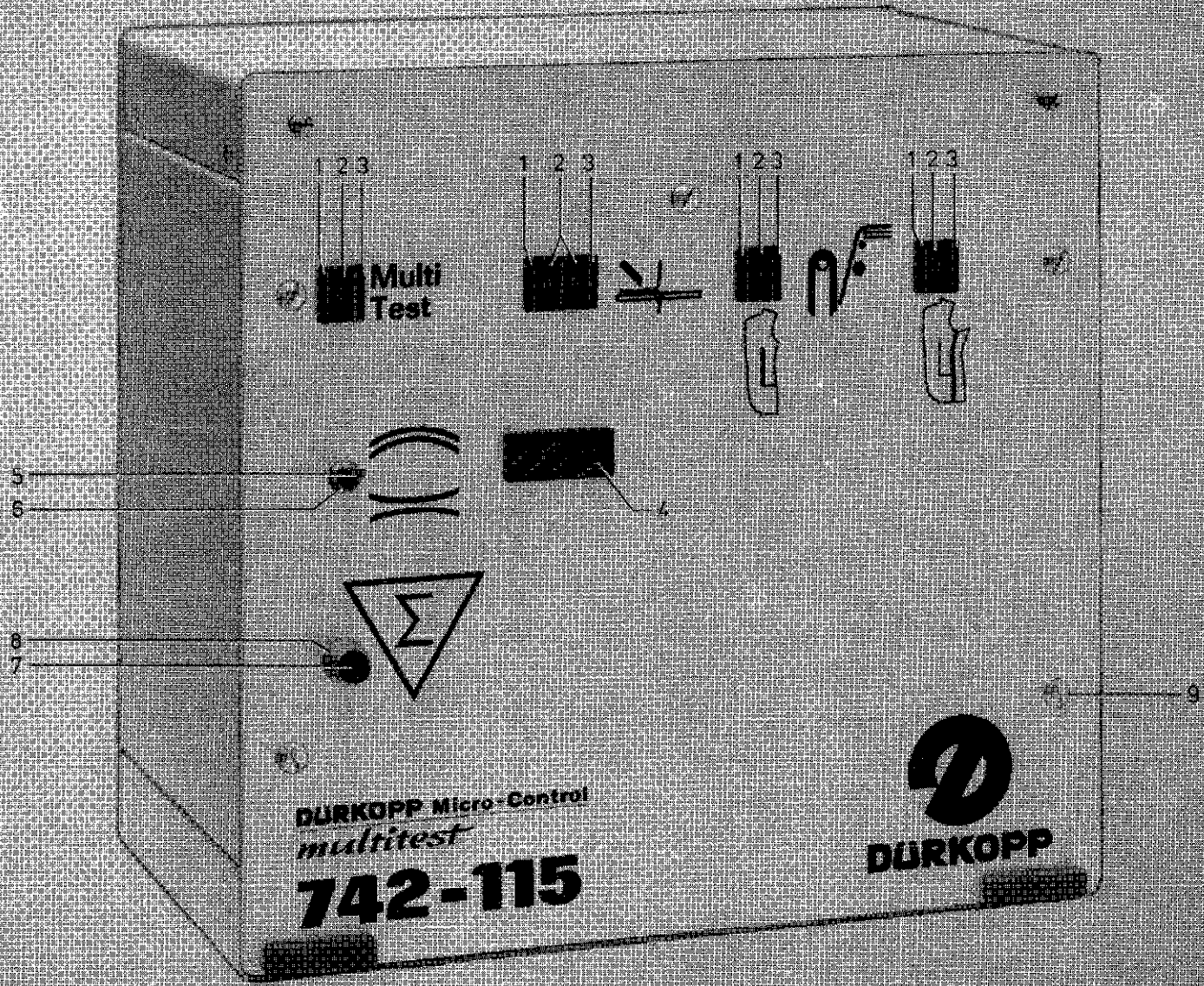
| Pos. Det. | Teile Nr. Part No. | Benennung | Denomination | Pos. Det. | Teile Nr. Part No. | Benennung | Denomination | Pos. Det. | Teile Nr. Part No. | Benennung | Denomination |
|-----------|--------------------|---------------------------------|---|-----------|--------------------|---|--|-----------|--------------------|-----------|--------------|
| 1 | 74246502 | Falttisch kpl. | Folding table cpl. | 46 | 74246692 | Kul.-Kod.-Einr. kpl. | Connecting link encoder | | | | |
| 2 | 74246505 | Lochblech (mit Pos. 3 und 4) | Perforated plate (with pos. 3 and 4) | | | (best. aus Pos. 47 bis 70, 11 und 14) | cpl. (cons. of pos. 47 up to 70, 11 and 14) | | | | |
| 3 | 74246508 | Blech | Plate | 47 | 74246695 | Halteblech | Retaining plate | | | | |
| 4 | 71812786 | Niet | Rivet | 48 | 74246696 | Schild (Folie) | Label (film) | | | | |
| 5 | 74246512 | Zwischenstück | Distance piece | 49 | 74246699 | Winkel | Square | | | | |
| 6 | 74246514 | Blech | Plate | 50 | 7981606 | Kabeldurchführung | Cable duct | | | | |
| 7 | 74246520 | Skala kpl. (mit Pos. 8) | Scale cpl. (with pos. 8) | 51 | 74423949 | Schalter | Switch | | | | |
| 8 | 74246522 | Skala (Folie) | Scale (film) | 52 | 798422411 | Kodierschalter | Coding switch | | | | |
| 9 | 71910 | Senkschraube | Countersunk screw | 53 | 798422412 | Endstück, links | Left end piece | | | | |
| 10 | 219353 | Linsenschraube | Fillister head screw | 54 | 798422413 | Endstück, rechts | Right end piece | | | | |
| 11 | 10019130 | Linsenschraube | Fillister head screw | 55 | 74423873 | Drehknopf | Turning knob | | | | |
| 12 | 55680 | Linsenschraube | Fillister head screw | 56 | 74423879 | Abschl.-Deckel | Cover plate | | | | |
| 13 | 202704 | 6kt.-Mutter | Hexagonal nut | 57 | 721177a | Peilscheibe | Arrow washer | | | | |
| 14 | 798795 | Scheibe | Washer | 58 | 721179 | Drucktaster | Press button switch | | | | |
| 15 | 74246533 | Rohrstutzen | Socket piece | 59 | 798386 | Isoliertülle | Isolating nozzle | | | | |
| 16 | 798794 | Zyl.-Schraube | Cyl. head screw | 60 | 74246712 | Leitung kpl. | Cable cpl. | | | | |
| 17 | 911267 | Zahnscheibe | Tooth lock washer | 61 | 74246731 | Leitung kpl. | Cable cpl. | | | | |
| 18 | 74246541 | Blattfeder | Leaf spring | 62 | 94210318 | Schelle | Clip | | | | |
| 19 | 264762 | Gewindestift | Threaded stud | 63 | 74246735 | Leiterplatte | Printed board assembly | | | | |
| 20 | 219352 | Buchse | Bush | 64 | 798424202 | Induktivgeber | Inductive transmitter | | | | |
| 21 | 216155 | Ansatzschraube | Shoulder screw | 65 | 74246739 | Kodierplatte | Encoding plate | | | | |
| 22 | 531460 | Scheibe | Washer | 66 | 74246741 | Platte | Plate | | | | |
| 23 | 244401 | Scheibe | Washer | 67 | 74246744 | Winkel | Angle | | | | |
| 24 | 74246553 | Schild | Name plate | 68 | 74450243 | Scheibe | Washer | | | | |
| 25 | 74246554 | Zyl.-Schraube | Cyl. head screw | 69 | 798792 | Zyl.-Schraube | Cyl. head screw | | | | |
| 26 | 211393 | Zyl.-Schraube | Cyl. head screw | 70 | 9312130 | Zwischenring | Distance ring | | | | |
| 27 | 74246595 | Welle | Shaft | 71 | 223700 | Zyl.-Schraube | Cyl. head screw | | | | |
| 28 | 74246599 | Raste | Ratched | 72 | 74246753 | Kodierplatte kpl. (mit Pos. 73 und 74) | Encoding plate cpl. (with pos. 73 and 74) | | | | |
| 29 | 7441509 | Zyl.-Schraube | Cyl. head screw | 73 | 74246755 | Schild | Label | | | | |
| 30 | 74246601 | Haltekloben | Retaining block | 74 | 74246756 | Schild | Label | | | | |
| 31 | 7461212 | Zyl.-Schraube | Cyl. head screw | 75 | 798796 | Zyl.-Schraube | Cyl. head screw | | | | |
| 34 | 74246643 | Stütze kpl. (mit Pos. 35) | Stay cpl. (with pos. 35) | 76 | 10019128 | Zyl.-Schraube | Cyl. head screw | | | | |
| 35 | 74246656 | Buchse | Bush | 77 | 2658746 | Scheibe | Washer | | | | |
| 36 | 74246662 | Winkel | Angle | 78 | 74420766 | Zyl.-Schraube | Cyl. head screw | | | | |
| 37 | 74246664 | Lasche | Shackle | 79 | 72043 | Scheibe | Washer | | | | |
| 38 | 7461033 | Zyl.-Schraube | Cyl. head screw | 80 | 21646 | Zyl.-Schraube | Cyl. head screw | | | | |
| 39 | 74450344 | Zyl.-Schraube | Cyl. head screw | 81 | 0020071061350 | Schlauch | Hose | | | | |
| 40 | 74246669 | Lasche | Shackle | 82 | 024275 | Scheibe | Washer | | | | |
| 41 | 246984 | Zyl.-Schraube | Cyl. head screw | 83 | 74246602 | Haltekloben | Retaining block | | | | |
| 42 | 557263 | Scheibe | Washer | 84 | 74610907 | Senkschraube | Countersunk screw | | | | |
| 44 | 93910071 | 6kt.-Schraube | Hexagonal screw | 85 | 74246605 | Lasche | Shackle | | | | |
| 45 | 74450244 | 6kt.-Mutter | Hexagonal nut | 86 | 0020070385422 | Leitung | Cable | | | | |



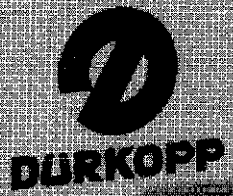
| Pos. Det. | Teile Nr. Part No. | Benennung | Denomination |
|-----------|--------------------|---|--|
| 1 | 74246921 | Faltblech, links, kpl. (mit Pos. 2) für Abnäher 160 bis 310 mm Länge | Folding plate, left hand cpl. (with pos. 2) for darts 160 up to 310 mm length |
| 1 | 74246926 | Faltblech, links, kpl. (mit Pos. 2) für Abnäher 180 bis 330 mm Länge | Folding plate, left hand cpl. (with pos. 2) for darts 180 up to 330 mm length |
| 1 | 74246931 | Faltblech, links, kpl. (mit Pos. 2) für Abnäher 200 bis 350 mm Länge | Folding plate, left hand cpl. (with pos. 2) for darts 200 up to 350 mm length |
| 1 | 74246936 | Faltblech, links, kpl. (mit Pos. 2) für Abnäher 220 bis 370 mm Länge | Folding plate, left hand cpl. (with pos. 2) for darts 220 up to 370 mm length |
| 2 | 74246522 | Skala | Scale |
| 3 | 74246924 | Faltblech, rechts, für Abnäher 160 bis 310 mm Länge | Folding plate, right hand, for darts 160 up to 310 mm length |
| 3 | 74246929 | Faltblech, rechts, für Abnäher 180 bis 330 mm Länge | Folding plate, right hand, for darts 180 up to 330 mm length |
| 3 | 74246934 | Faltblech, rechts, für Abnäher 200 bis 350 mm Länge | Folding plate, right hand, for darts 200 up to 350 mm length |
| 3 | 74246939 | Faltblech, rechts, für Abnäher 220 bis 370 mm Länge | Folding plate, right hand, for darts 220 up to 370 mm length |
| 4 | 74247202 | Führ.-Schiene kpl. (best. aus Pos. 5 bis 42) | Guide rail cpl. (cons. of pos. 5 up to 42) |
| 5 | 74247206 | Führ.-Schiene | Guide rail |
| | | Kundenwunsch | request |
| 6 | 74247208 | Belag | Coating |
| 7 | 74247212 | Blattfeder | Leaf spring |
| 8 | 74247213 | Blattfeder | Leaf spring |
| 9 | 216354 | Zyl.-Schraube | Cyl. head screw |
| 10 | 1005233 | Scheibe | Washer |
| 11 | 74247221 | Führung (Form nach Kundenwunsch) | Guidance (shaped on request) |
| 12 | 911339 | Linsenschraube | Fillister head screw |
| 13 | 74247232 | Lasche | Shackle |
| 14 | 246360 | Zyl.-Schraube | Cyl. head screw |

| Pos. Det. | Teile Nr. Part No. | Benennung | Denomination |
|-----------|--------------------|---|---|
| 15 | 02480a | Scheibe | Washer |
| 16 | 202704 | 6kt.-Mutter | Hexagonal nut |
| 18 | 74247249 | Blech | Plate |
| 19 | 74247250 | Nocken | Cam |
| 20 | 74247252 | Gleitstück | Sliding piece |
| 21 | 7461033 | Zyl.-Schraube | Cyl. head screw |
| 22 | 74247292 | Kammklemme kpl. (mit Pos. 23, 24, 25) | Combing clamp cpl. (with pos. 23, 24, 25) |
| 23 | 74247296 | Bolzen | Bolt |
| 24 | 74247299 | Sicher.-Draht | Safety wire |
| 25 | 5586269 | Druckfeder | Pressure spring |
| 26 | 74247303 | Führung | Guidance |
| 27 | 74247312 | Bolzen | Bolt |
| 28 | 7421907 | Druckfeder | Pressure spring |
| 29 | 7421908 | Halbmondring | Crescent ring |
| 30 | 74247318 | Winkel | Square |
| 31 | 74247319 | Winkel | Angle |
| 32 | 74247321 | Lasche | Shackle |
| 33 | 211568 | Kugel | Ball |
| 34 | 7461033 | Zyl.-Schraube | Cyl. head screw |
| 35 | 7932764 | Anschlag | Stop |
| 36 | 7461033 | Zyl.-Schraube | Cyl. head screw |
| 37 | 558786 | Spannhülse | Clamping sleeve |
| 38 | 7421689 | Druckfeder | Pressure spring |
| 39 | 7421917 | Blattfeder | Leaf spring |
| 40 | 74247220 | Platte | Plate |
| 41 | 74247217 | Belag | Coating |
| 42 | 74247372 | Stoffklammer kpl. (mit Pos. 37, 38, 43, bis 50) | Cloth clamping arrange- ment cpl. (with pos. 37, 38, 43 up to 50) |
| 43 | 74247376 | Haltekralle | Claw |
| 44 | 74247377 | Haltekralle | Claw |
| 45 | 74247385 | Blattfeder kpl. (mit Pos. 47) | Leaf spring cpl. (with pos. 47) |
| 46 | 74247382 | Blattfeder kpl. (mit Pos. 48) | Leaf spring cpl. (with pos. 48) |
| 47 | 00283235600 | Belag | Lining |
| 48 | 00283235600 | Belag | Lining |
| 49 | 914330 | 6kt.-Schraube | Hexagonal screw |
| 50 | 798795 | Scheibe | Washer |
| 51 | 74246942 | Faltblech | Folding plate |
| 52 | 74246943 | Faltblech (für dünne Stoffteile) | Folding plate (for thin fabric parts) |
| 53 | 7461033 | Zyl.-Schraube | Cyl. head screw |

| Pos. Det. | Teile Nr. Part No. | Benennung | Denomination |
|-----------|--------------------|-----------|--------------|
|-----------|--------------------|-----------|--------------|



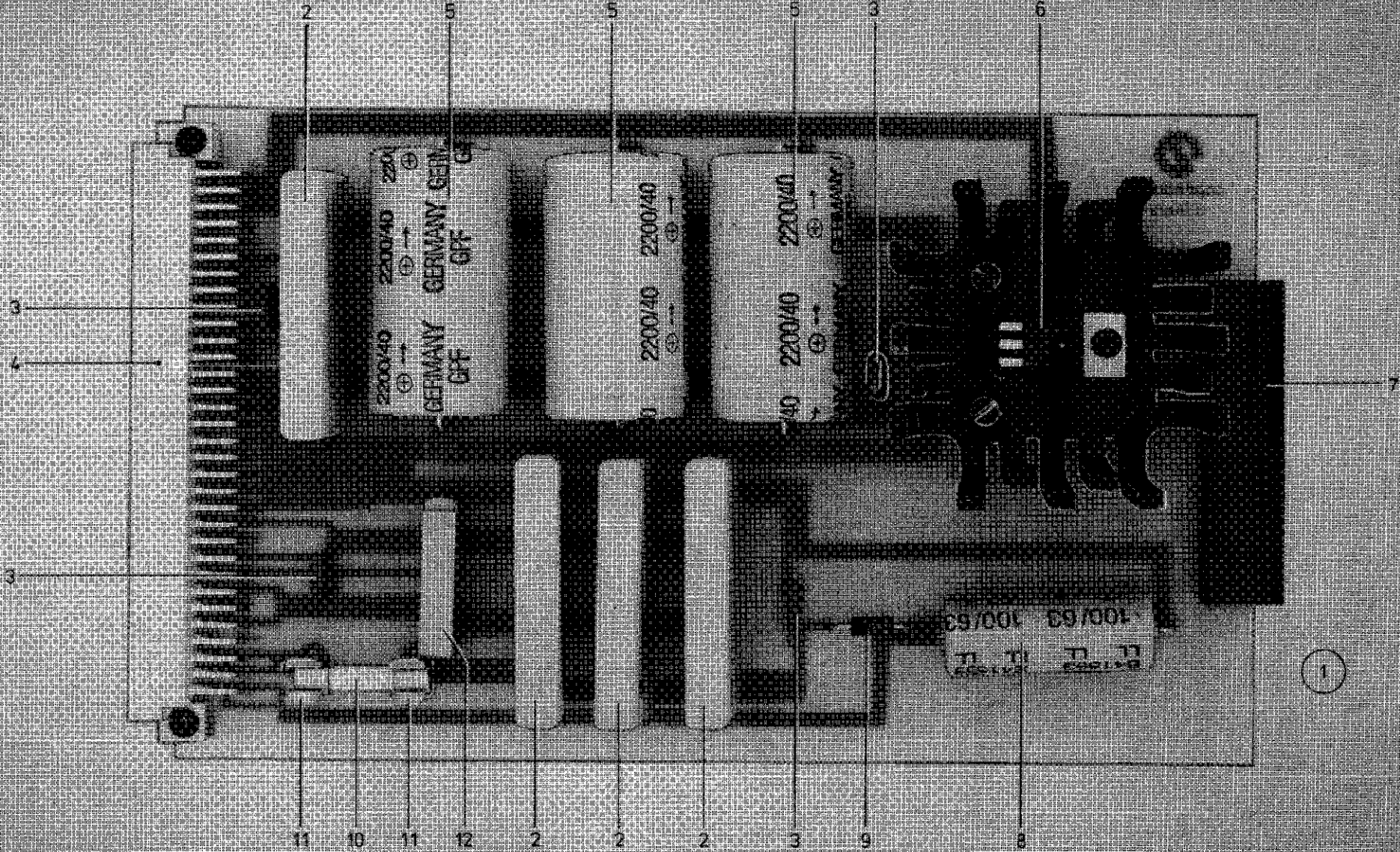
DURKOPP Micro-Control
multitest
742-115

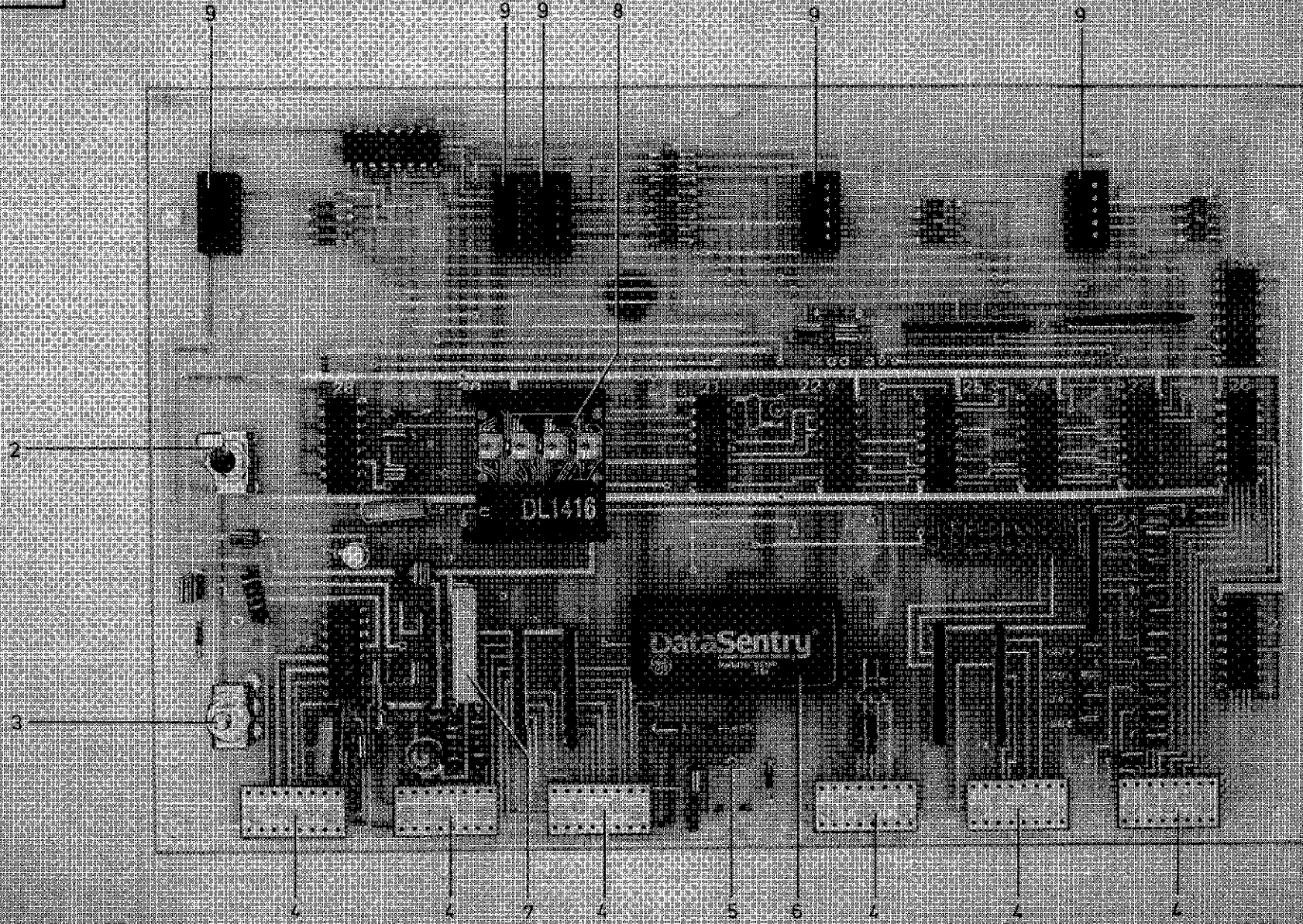


| Pos. Det. | Teile Nr. Part No. | Benennung | Denomination |
|--------------|-----------------------|-------------------------|--------------------------------|
| | | Steuergerät | Control instrument |
| | 74246121 | Steuergerät kpl. | Control instrument cpl. |
| 1 | 798422412 | Endkappe, links | Left terminal cap |
| 2 | 798422411 | Kodierschalter | Encoding switch |
| 3 | 798422413 | Endkappe, rechts | Right terminal cap |
| 4 | 798163602 | Sichtscheibe | Inspection glass |
| 5 | Z 10011222 | Kippschalter | Flip switch |
| 6 | Z 10011226 | Überwurfmutter | Union nut |
| 7 | Z 10011255 | Tastschalter | Touch contact |
| 8 | Z 10011259 | Überwurfmutter | Union nut |
| 9 | 2'19353 | Linsenschraube | Fillister head screw |

| Pos. Det. | Teile Nr. Part No. | Benennung | Denomination |
|--------------|-----------------------|-----------|--------------|
|--------------|-----------------------|-----------|--------------|

| Pos. Det. | Teile Nr. Part No. | Benennung | Denomination |
|--------------|-----------------------|-----------|--------------|
|--------------|-----------------------|-----------|--------------|



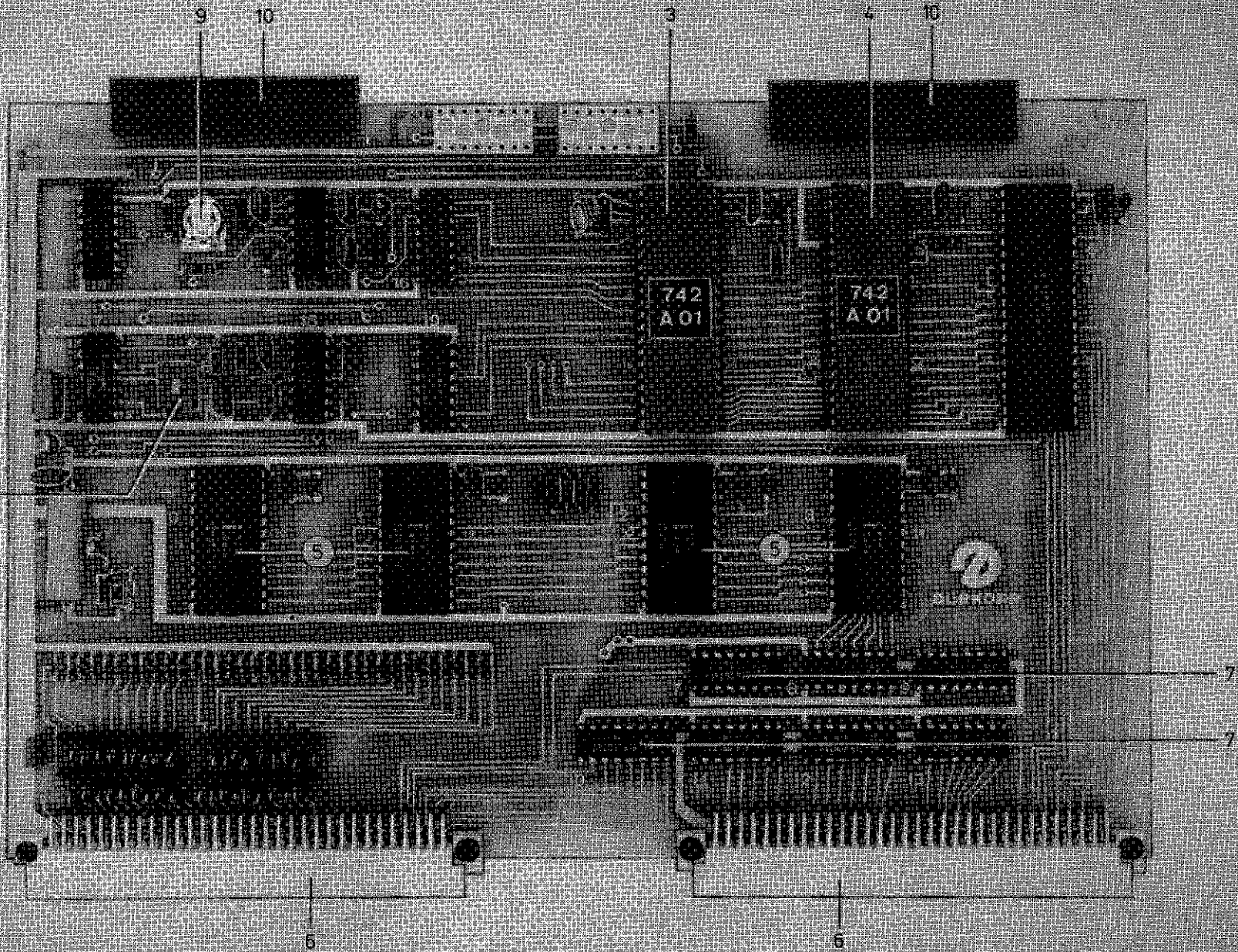


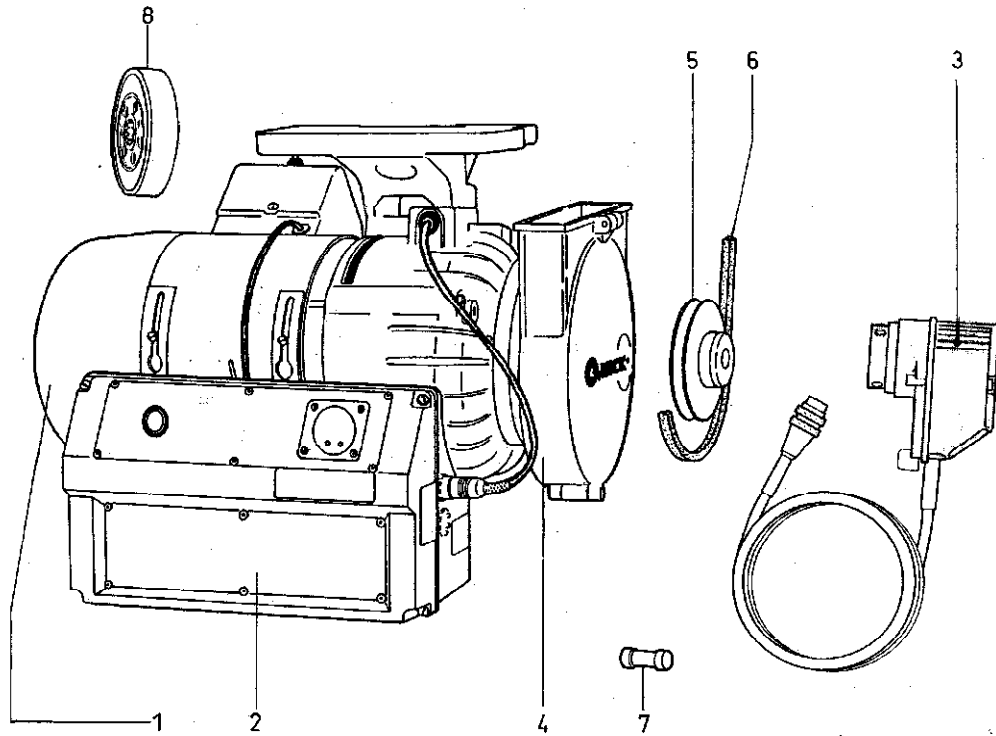
1

| Pos. Det. | Teile Nr. Part No. | Benennung | Denomination |
|-----------|--------------------|-------------------|------------------------|
| 1 | 74246184 | Leiterplatte kpl. | Printed board assembly |
| 2 | Z 10011222 | Kippschalter | Flip switch |
| 3 | Z 10011255 | Tastschalter | Touch contact |
| 4 | 798483201 | Buchse | Bush |
| 5 | 74423959 | Potentiometer | Potentiometer |
| 6 | 7412600 | Akkumulator | Accumulator |
| 7 | 74450532 | Gleichrichter | Rectifier |
| 8 | 798163601 | LED-Anzeige | LED-indication |
| 9 | 798422414 | Steckerleiste | Multipole connector |

| Pos. Det. | Teile Nr. Part No. | Benennung | Denomination |
|-----------|--------------------|-----------|--------------|
|-----------|--------------------|-----------|--------------|

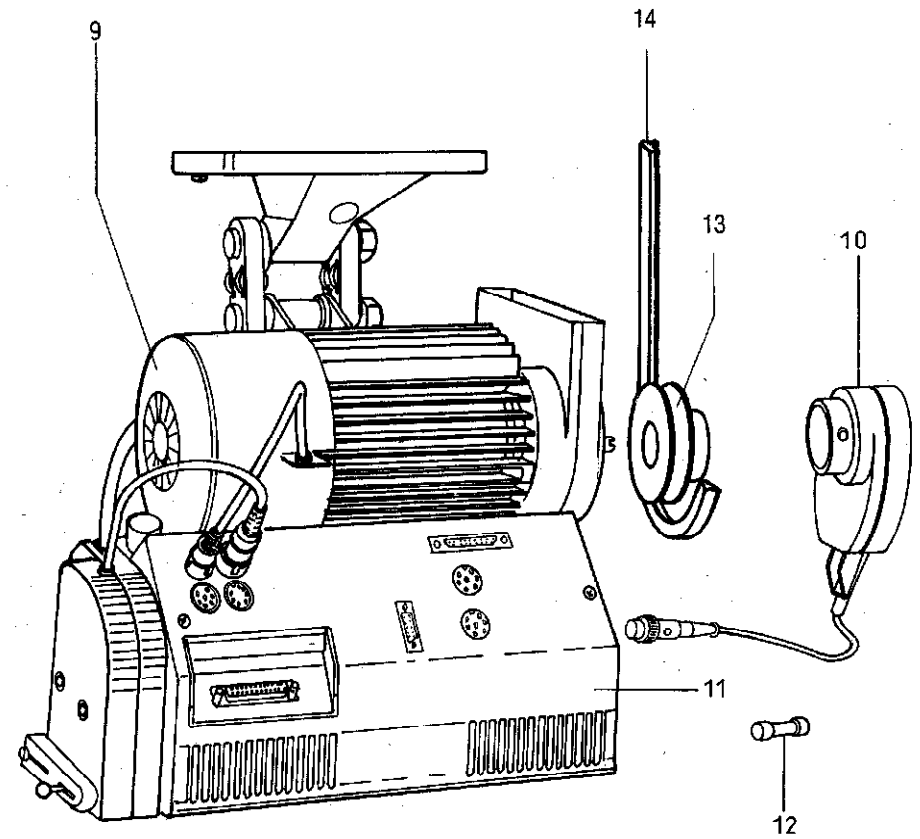
| Pos. Det. | Teile Nr. Part No. | Benennung | Denomination |
|-----------|--------------------|-----------|--------------|
|-----------|--------------------|-----------|--------------|

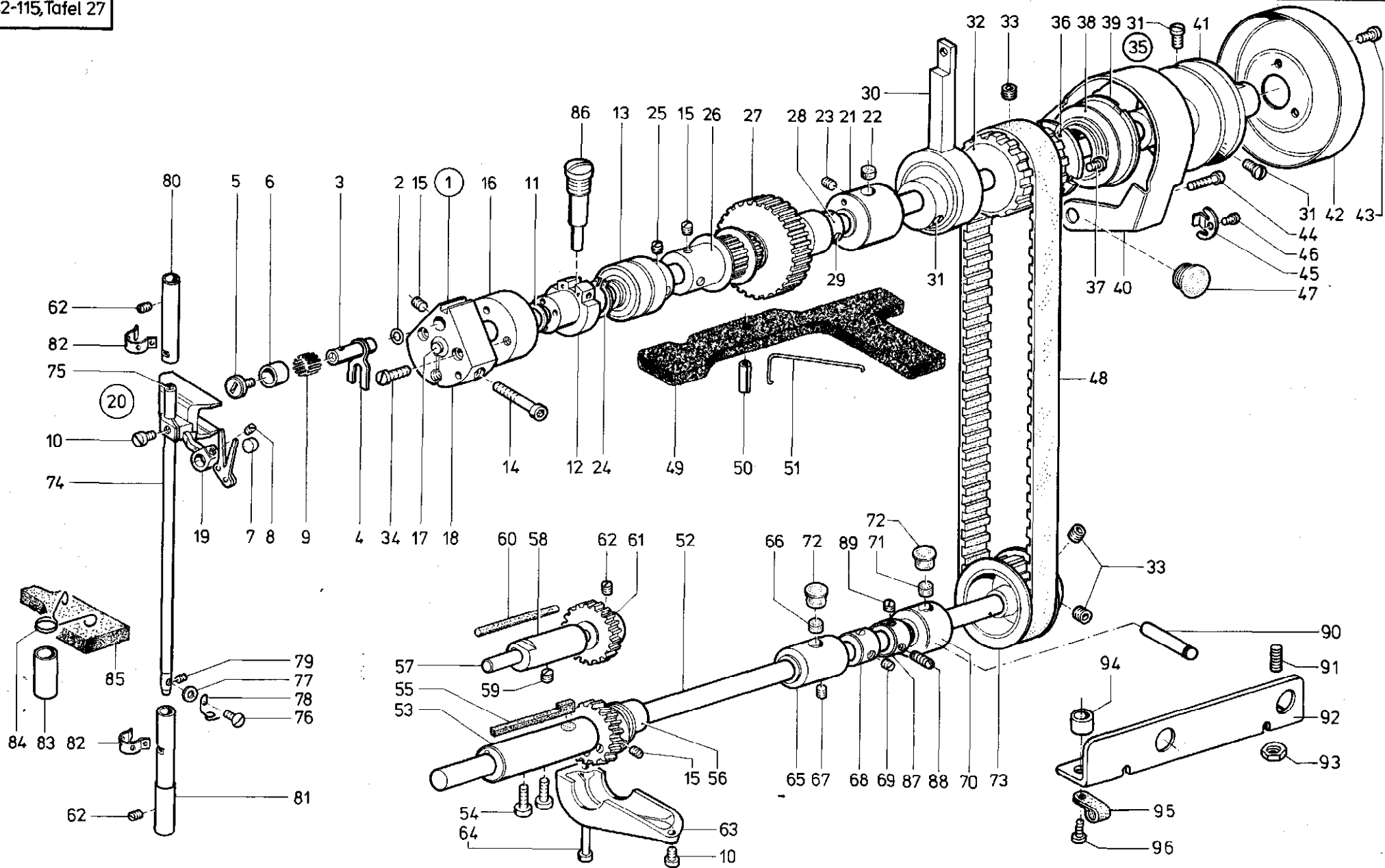




Bis 11.1995

Ab 11.1995

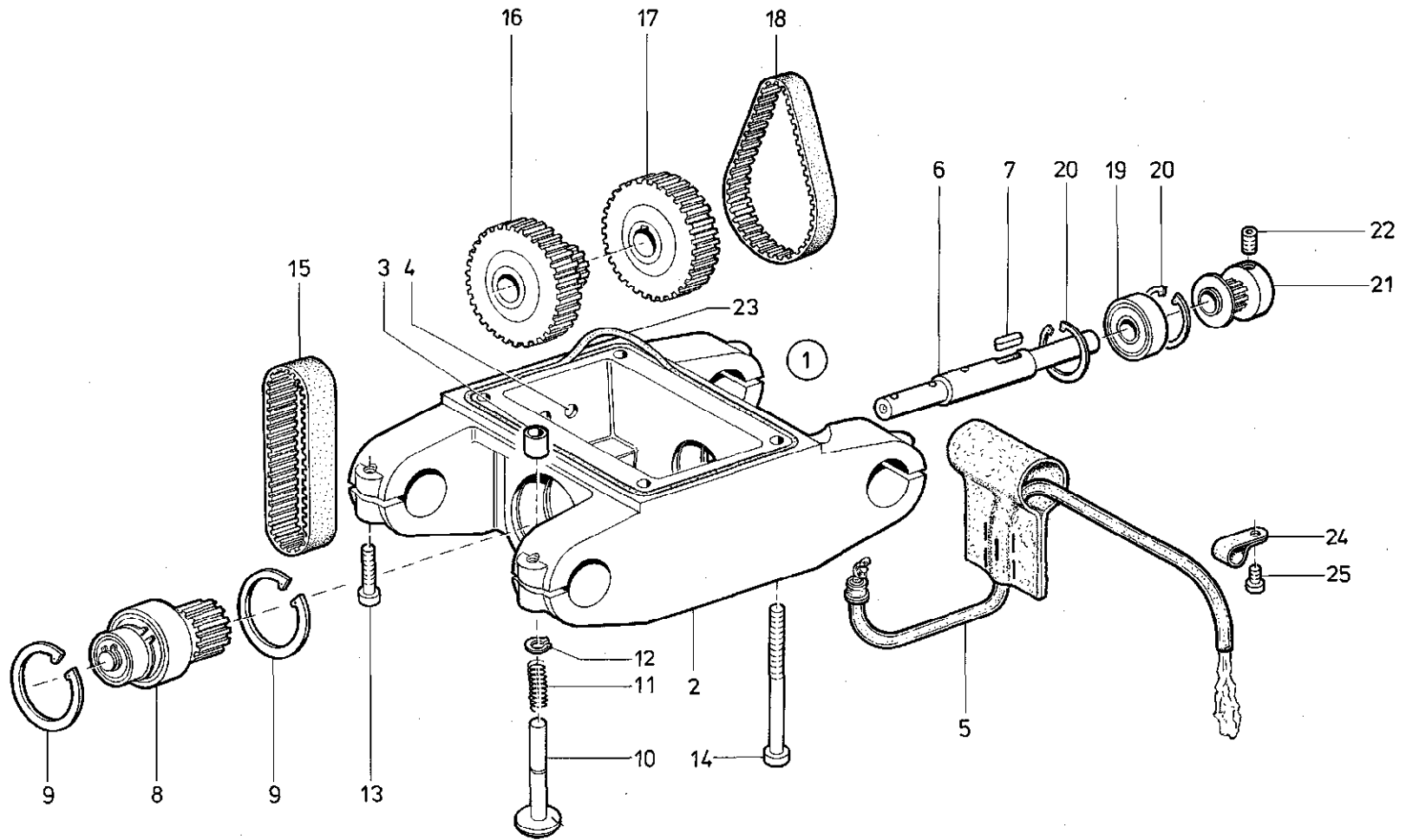


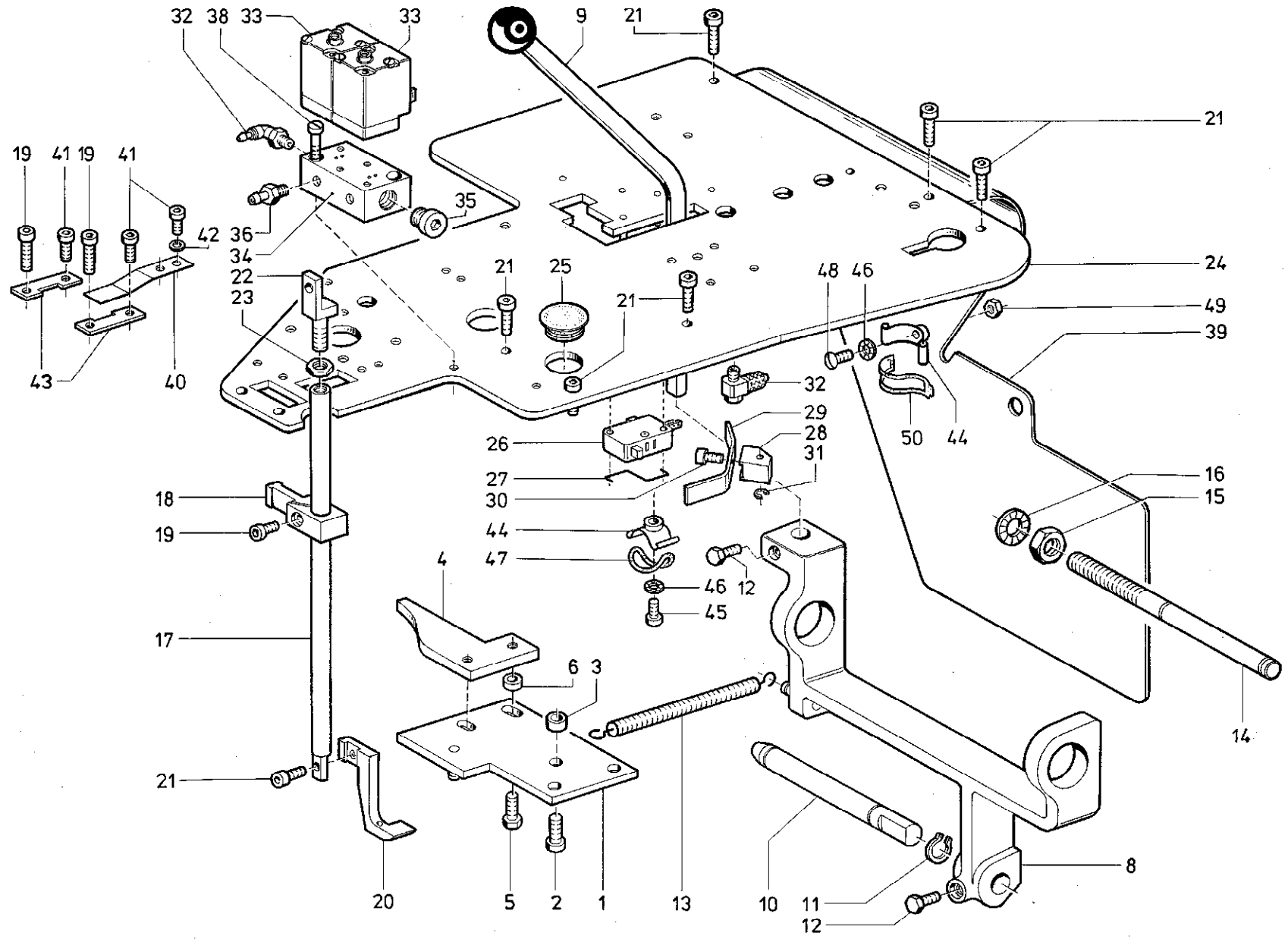


| Pos. Det. | Teile Nr. Part No. | Benennung | Denomination |
|-----------|--------------------|---|--|
| | | Maschinen-Oberteil Kl. 933-31 | Machine-head Cl. 933-31 |
| 1 | 93378012 | Armwelle kpl. (best. aus Pos. 2 bis 19, 34) | Armshaft cpl. (cons. of pos. 2 up to 19, 34) |
| 2 | 911478 | Gummiring | Rubber ring |
| 3 | 9311963 | Kurbelzapfen | Crank pin |
| 4 | 933105 | Anlageplatte | Attachment plate |
| 5 | 902131 | Deckschraube | Cover screw |
| 6 | 9311982a | Rolle | Roll |
| 7 | 9311985 | Führungsstück | Guide piece |
| 8 | 70273 | Gewindestift | Threaded stud |
| 9 | 9311980 | Lagernadel (15 Stück) | Bearing needle (15 pieces) |
| 10 | 216120 | Zyl.-Schraube | Cyl. head screw |
| 11 | 9331503 | Gummiring | Rubber ring |
| 12 | 9392454 | Haltering | Retaining ring |
| 13 | 9392451 | Lagerhülse kpl. (mit Pos. 24 und 25) | Bearing sleeve cpl. (with pos. 24 and 25) |
| 14 | 93340a | Zyl.-Schraube | Cyl. head screw |
| 15 | 223648 | Gewindestift | Threaded stud |
| 16 | 93374515 | Spritzring | Moulding ring |
| 17 | 93378018 | Armwelle | Armshaft |
| 18 | 93378014 | Kurbel kpl. (mit Pos. 14 und 15) | Crank cpl. (with pos. 14 and 15) |
| 19 | 93378022 | Kreuzschubführung | Cross shearing guidance |
| 20 | 93378020 | Kreuzsch.-Führ. kpl. (best. aus Pos. 3, 5, 6, 8, 9, 10, 19) | Cross shearing guidance cpl. (cons. of pos. 3, 5, 6, 8, 9, 10, 19) |
| 21 | 93328 | Lager kpl. (mit Pos. 22) | Bearing cpl. (with pos. 22) |
| 22 | 93329b | Filzteil | Felt |
| 23 | 223448 | Gewindestift | Threaded stud |
| 24 | 714188 | Sicher.-Ring | Circlip |
| 25 | 147203 | Gewindestift | Threaded stud |
| 26 | 93378032 | Zahnscheibe kpl. (mit Pos. 15) | Tooth lock washer cpl. (with pos. 15) |
| 27 | 93378051 | Zahnscheibe | Tooth lock washer |
| 28 | 212113 | Stellring kpl. (mit Pos. 29) | Set collar cpl. (with pos. 29) |
| 29 | 223237 | Gewindestift | Threaded stud |
| 30 | 93378082 | Pleuel | Connecting rod |
| 31 | 21668a | Linsenschraube | Fillister head screw |
| 32 | 93378096 | Zahnriemenrad kpl. (mit Pos. 33) | Toothed belt wheel cpl. (with pos. 33) |

| Pos. Det. | Teile Nr. Part No. | Benennung | Denomination |
|-----------|--------------------|--|--|
| 33 | 211354 | Gewindestift | Threaded stud |
| 34 | 213370 | Zyl.-Schraube | Cyl. head screw |
| 35 | 211371k | Handrad kpl. (best. aus Pos. 38, 39, 41, 42, 43) | Hand wheel cpl. (cons. of pos. 38, 39, 41, 42, 43) |
| 36 | 93378098 | Einstellring | Setting ring |
| 37 | 223676 | Zyl.-Schraube | Cyl. head screw |
| 38 | 211361 | Rillenkula. | Grooved ball bearing |
| 39 | 211362 | Sicher.-Ring | Circlip |
| 40 | 211499 | Schutzkappe | Protecting cap |
| 41 | 211365 | Flansch kpl. (mit Pos. 31) | Flange cpl. (with pos. 31) |
| 42 | 211371 | Handrad | Hand wheel |
| 43 | 216229 | Zyl.-Schraube | Cyl. head screw |
| 44 | 650292 | Zyl.-Schraube | Cyl. head screw |
| 45 | 93375 | Haltefeder | Retaining spring |
| 46 | 223700 | Zyl.-Schraube | Cyl. head screw |
| 47 | 5561570 | Verschl.-Kappe | Sealing cap |
| 48 | 211355 | Zahnriemen | Toothed belt |
| 49 | 2124744 | Filzstück | Felt |
| 50 | 2124743 | Spannhülse | Clamping sleeve |
| 51 | 93378008 | Klemmfeder | Clamping spring |
| 52 | 933287 | Untervelle | Lower shaft |
| 53 | 933273 | Lager kpl. (mit Pos. 55) | Bearing cpl. (with pos. 55) |
| 54 | 7441236 | Zyl.-Schraube | Cyl. head screw |
| 55 | 933275 | Filzteil | Felt |
| 56 | 933348 | Exzenter kpl. (mit Pos. 15) | Eccentric cpl. (with pos. 15) |
| 57 | 933359 | Welle | Shaft |
| 58 | 933355 | Lager kpl. (mit Pos. 60) | Bearing cpl. (with pos. 60) |
| 59 | 7449946 | Gewindestift | Threaded stud |
| 60 | 933360 | Filzteil | Felt |
| 61 | 933361 | Zahnrad kpl. (mit Pos. 62) | Toothed wheel cpl. (with pos. 62) |
| 62 | 70220 | Gewindestift | Threaded stud |
| 63 | 933344a | Deckel | Cap |
| 64 | MG 44/121 | Zyl.-Schraube | Cyl. head screw |
| 65 | 942271 | Lager kpl. (mit Pos. 66) | Bearing cpl. (with pos. 66) |
| 66 | 211305a | Filzteil | Felt |
| 67 | 21652 | Gewindestift | Threaded stud |
| 68 | 212627 | Stellring kpl. (mit Pos. 69) | Set collar cpl. (with pos. 69) |

| Pos. Det. | Teile Nr. Part No. | Benennung | Denomination |
|-----------|--------------------|--|--|
| 69 | 57055 | Gewindestift | Threaded stud |
| 70 | 933282k | Lager kpl. (mit Pos. 71) | Bearing cpl. (with pos. 71) |
| 71 | 933284a | Filzteil | Felt |
| 72 | 211257 | Verschl.-Kappe | Sealing cap |
| 73 | 211141a | Zahnriemenrad kpl. (mit Pos. 33) | Toothed belt wheel cpl. (with pos. 33) |
| 74 | 93378516 | Nadelstange kpl. (mit Pos. 75, 76, 77, 78, 79) | Needle bar cpl. (with pos. 75, 76, 77, 78, 79) |
| 75 | 57010007 | Gummistopfen | Rubber plug |
| 76 | 55860a | Zyl.-Schraube | Cyl. head screw |
| 77 | 93320030 | Scheibe | Washer |
| 78 | 93378517 | Fadenführung | Thread guidance |
| 79 | 556148 | Gewindestift | Threaded stud |
| 80 | 9311961 | Nadelst.-Buchse | Needle bar bush |
| 81 | 9311962 | Nadelst.-Buchse | Needle bar bush |
| 82 | 9311987 | Halteklammer | Retaining clamp |
| 83 | 93378010 | Stoffst.-Buchse | Cloth pressure bar bush |
| 84 | 9424689 | Klammer | Clamp |
| 85 | 93378007a | Filzteil | Felt |
| 86 | 9392459 | Halteschraube | Retaining screw |
| 87 | 212628 | Stelling | Set collar |
| 88 | 21668 | Gewindestift | Threaded stud |
| 89 | 57055 | Gewindestift | Threaded stud |
| 90 | 933540 | Lagerbolzen | Bearing bolt |
| 91 | 9205102508 | Gewindestift | Threaded stud |
| 92 | 93379532 | Winkel | Square |
| 93 | 9231110127 | 6kt. Mutter | Hexagonal nut |
| 94 | 3808894 | Distanzring | Distance piece |
| 95 | 9840120026 | Schelle | Clip |
| 96 | 92022087 | Zyl.Schr. | Cyl. head screw |

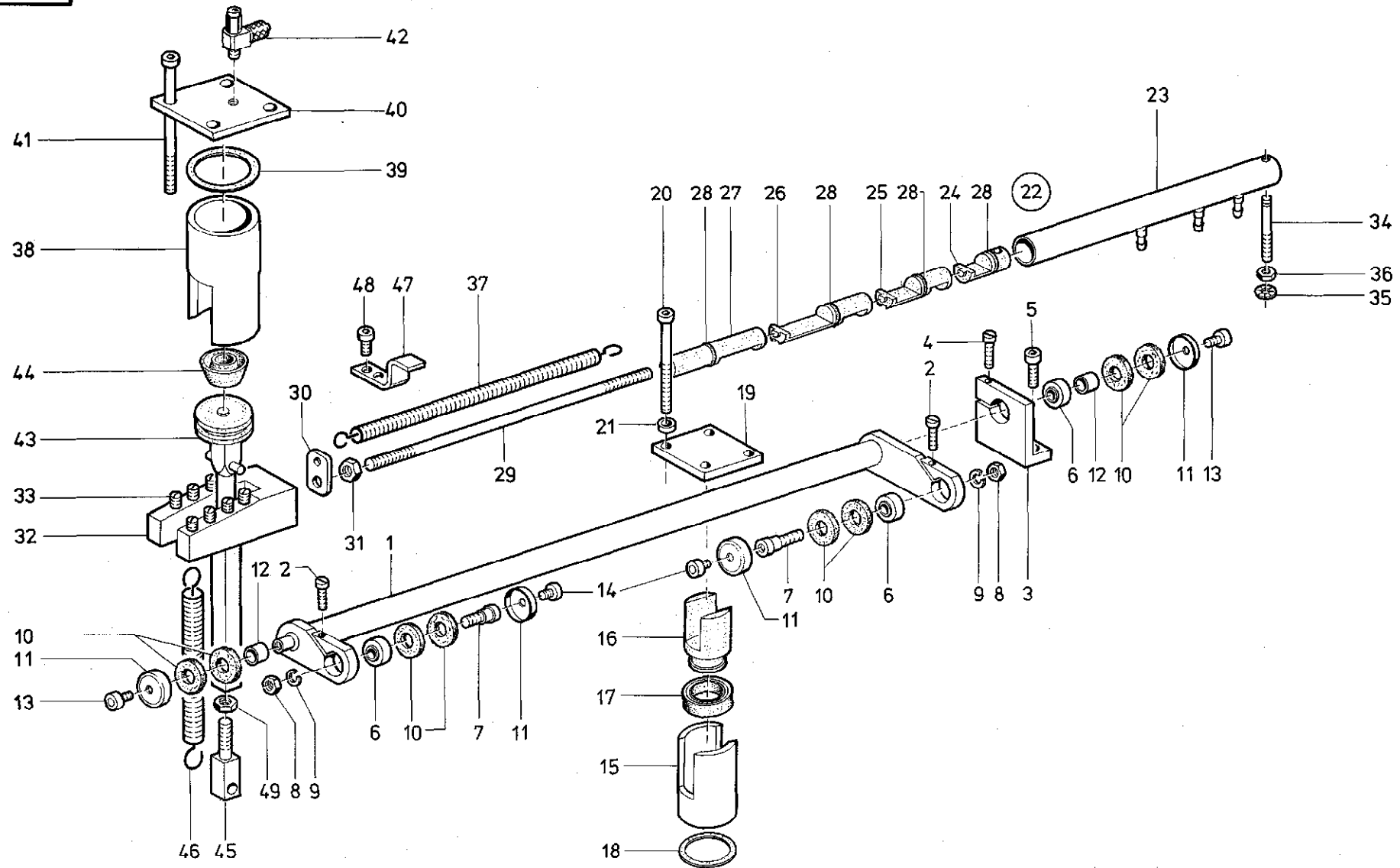




| Pos. Det. | Teile Nr. Part No. | Benennung | Denomination |
|-----------|--------------------|-----------------------|-----------------------|
| | | DÜRKOPP 933-31 | DÜRKOPP 933-31 |
| 1 | 93378373 | Platte | Plate |
| 2 | 556362 | Zyl.-Schraube | Cyl. head screw |
| 3 | 211539 | Buchse | Bush |
| 4 | 93378382 | Leitblech | Guide plate |
| 5 | 2658878 | 6kt.-Schraube | Hexagonal screw |
| 6 | 556254 | Rolle | Roll |
| 8 | 93378483 | Schwinge | Rocker |
| 9 | 93378490 | Hebel | Lever |
| 10 | 93378494 | Bolzen | Bolt |
| 11 | 211109 | Sicher.-Ring | Circlip |
| 12 | 570304 | 6kt.-Schraube | Hexagonal screw |
| 13 | 74610087 | Zugfeder | Draw spring |
| 14 | 93378502 | Bolzen | Bolt |
| 15 | 55614146 | 6kt.-Mutter | Hexagonal nut |
| 16 | 739188 | Zahnscheibe | Tooth lock washer |
| 17 | 93378522 | Stoffstange | Cloth pressure bar |
| 18 | 93378528 | Führ.-Kloben | Guide block |
| 19 | 7441968 | Zyl.-Schraube | Cyl. head screw |
| 20 | 93378532 | Fuß | Foot |
| 21 | 570912 | Zyl.-Schraube | Cyl. head screw |
| 22 | 93378535 | Kloben | Block |
| 23 | 21154246 | 6kt.-Mutter | Hexagonal nut |
| 24 | 93378593 | Grundplatte | Base plate |
| 25 | 911514 | Stopfen | Plug |
| 26 | 739878 | Basisschalter | Base switch |
| 27 | 74221574 | Sicher.-Draht | Safety wire |
| 28 | 93378605 | Kloben | Block |
| 29 | 93378606 | Lasche | Shackle |
| 30 | 21698 | Zyl.-Schraube | Cyl. head screw |
| 31 | 2522955 | Sicher.-Scheibe | Lock washer |
| 32 | 7972252 | L-Stecknippel | Plug |
| 33 | 797319 | Magnetventil | Solenoid valve |
| 34 | 7973016 | Anschl.-Platte | Joining plate |
| 35 | P 12159 | Schraube | Screw |
| 36 | 7972016 | Schlauchtülle | Hose nozzle |
| 38 | 902300 | Zyl.-Schraube | Cyl. head screw |
| 39 | 93378952 | Abdeckblech | Cover plate |
| 40 | 93378958 | Blattfeder | Leaf spring |
| 41 | 7461033 | Zyl.-Schraube | Cyl. head screw |
| 42 | 798795 | Scheibe | Washer |

| Pos. Det. | Teile Nr. Part No. | Benennung | Denomination |
|-----------|--------------------|----------------|----------------------|
| 43 | 93378962 | Lasche | Shackle |
| 44 | 74412819 | Wiegenschelle | Movable strap |
| 45 | 2231296 | Zyl.-Schraube | Cyl. head screw |
| 46 | 7442380 | Zahnscheibe | Tooth lock washer |
| 47 | Z 112259 | O-Ring | O-ring |
| 48 | 10019148 | Linsenschraube | Fillister head screw |
| 49 | 74450244 | 6kt.-Mutter | Hexagonal nut |
| 50 | 74412820 | Schlaufe | Loop |

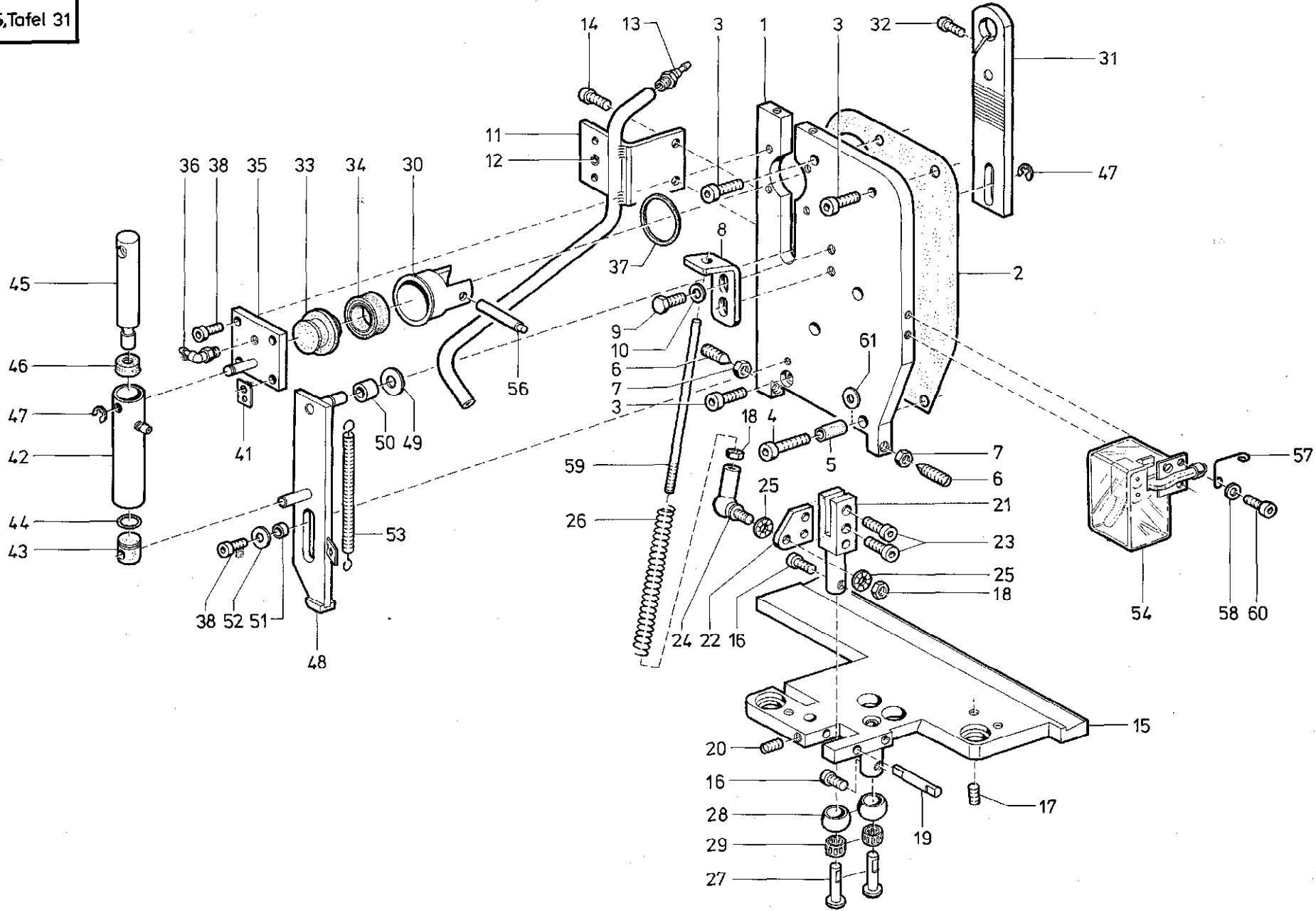
| Pos. Det. | Teile Nr. Part No. | Benennung | Denomination |
|-----------|--------------------|-----------|--------------|
|-----------|--------------------|-----------|--------------|



| Pos. Det. | Teile Nr. Part No. | Benennung | Denomination |
|-----------|--------------------|---|--|
| | | DÜRKOPP 933-31 | DÜRKOPP 933-31 |
| 1 | 93378611 | Rohr | Tube |
| 2 | NBO/1114 | Zyl.-Schraube | Cyl. head screw |
| 3 | 93378621 | Lagerbock | Pillow block |
| 4 | 2113060 | Zyl.-Schraube | Cyl. head screw |
| 5 | 265565 | Zyl.-Schraube | Cyl. head screw |
| 6 | 26597 | Gelenklager | Tilting bearing |
| 7 | 93378626 | Gew.-Bolzen | Threaded bolt |
| 8 | 74450244 | 6kt.-Mutter | Hexagonal nut |
| 9 | 719124 | Federring | Spring ring |
| 10 | 93378631 | Filzteil | Felt |
| 11 | 93378632 | Kappe | Cap |
| 12 | 73915008 | Rolle | Roll |
| 13 | 570912 | Zyl.-Schraube | Cyl. head screw |
| 14 | 246360 | Zyl.-Schraube | Cyl. head screw |
| 15 | 93378638 | Zylinder-Rohr | Cylindrical tube |
| 16 | 93378639 | Kolben | Piston |
| 17 | 7426431 | Lippenring | Lip seal |
| 18 | 74241799 | Dichtung | Gasket |
| 19 | 93378642 | Platte | Plate |
| 20 | MG 44/121 | Zyl.-Schraube | Cyl. head screw |
| 21 | 2119052 | Ring | Ring |
| 22 | 93378882 | Stellzylinder kpl. (best. aus Pos. 23 bis 28) | Regulating cylinder cpl. (cons. of pos. 23 up to 28) |
| 23 | 93378883 | Zylinder-Rohr | Cylindrical tube |
| 24 | 93378887 | Kolben | Piston |
| 25 | 93378888 | Kolben | Piston |
| 26 | 93378889 | Kolben | Piston |
| 27 | 93378890 | Kolben | Piston |
| 28 | 93378892 | O-Ring | O-ring |
| 29 | 93378895 | Gew.-Stange | Threaded rod |
| 30 | 93378902 | Lasche | Shackle |
| 31 | MG 43/408 | 6kt.-Mutter | Hexagonal nut |
| 32 | 93378906 | Anschlag kpl. (mit Pos. 33) | Stop cpl. (with pos. 33) |
| 33 | 93378909 | Gewindestift | Threaded stud |
| 34 | 93378921 | Federstift | Spring pin |
| 35 | 911267 | Zahnscheibe | Tooth lock washer |
| 36 | 202704 | 6kt.-Mutter | Hexagonal nut |
| 37 | 93378925 | Zugfeder | Draw spring |
| 38 | 93378928 | Zylinder-Rohr | Cylindrical tube |
| 39 | 93378929 | Dichtung | Gasket |
| 40 | 93378930 | Deckel | Cover |

| Pos. Det. | Teile Nr. Part No. | Benennung | Denomination |
|-----------|--------------------|---------------|-----------------|
| 41 | 93378932 | Zyl.-Schraube | Cyl. head screw |
| 42 | 797411 | Drosselventil | Throttle valve |
| 43 | 93378936 | Kolben | Piston |
| 44 | 741295 | Lippenring | Lip seal |
| 45 | 93378945 | Bolzen | Bolt |
| 46 | 5562029b | Zugfeder | Draw spring |
| 47 | 93378949 | Winkel | Angle |
| 48 | 7461033 | Zyl.-Schraube | Cyl. head screw |
| 49 | 216660 | 6kt.-Mutter | Hexagonal nut |

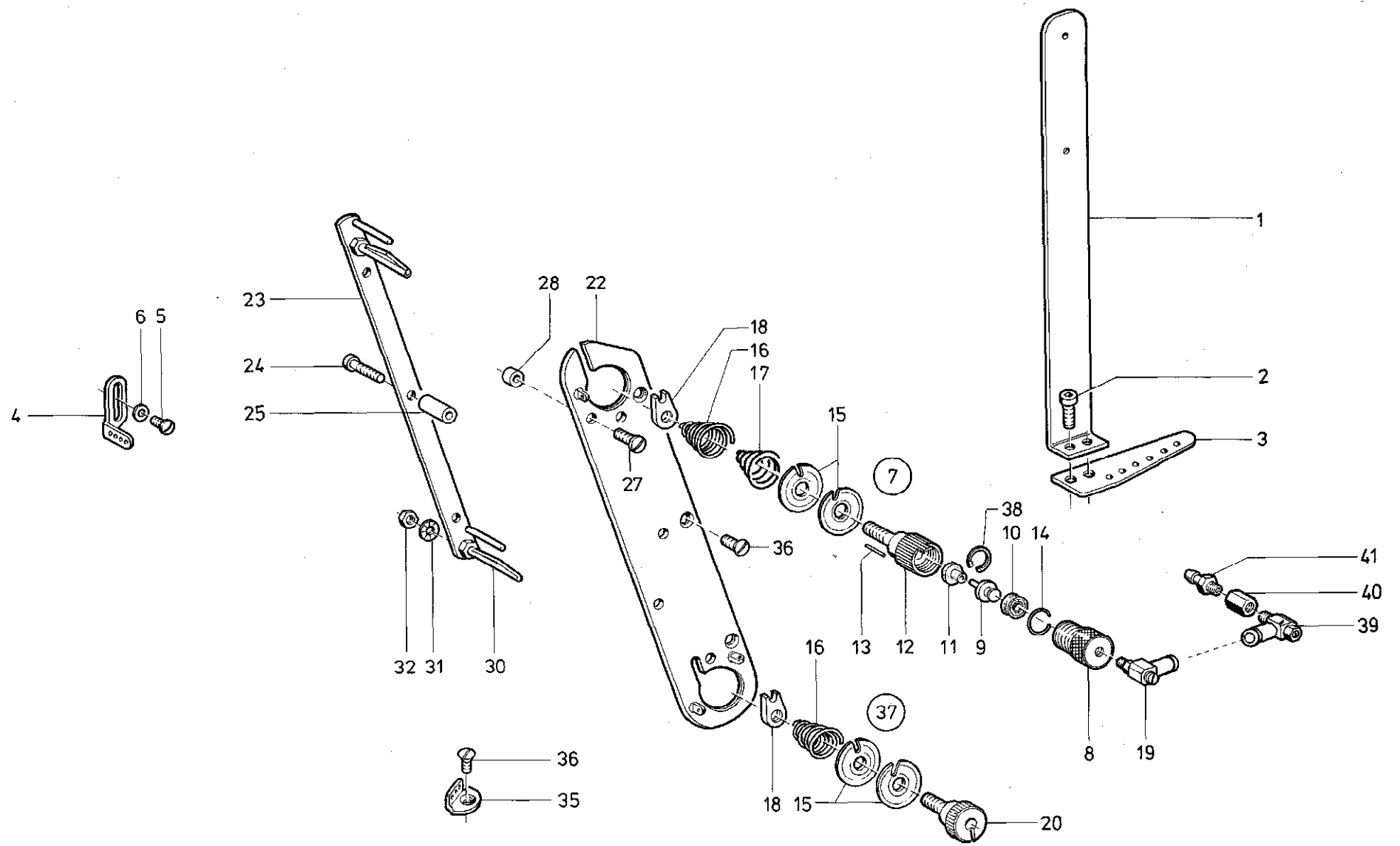
| Pos. Det. | Teile Nr. Part No. | Benennung | Denomination |
|-----------|--------------------|-----------|--------------|
|-----------|--------------------|-----------|--------------|



| Pos. Det. | Teile Nr. Part No. | Benennung | Denomination |
|-----------|--------------------|--------------------------------|-------------------------------------|
| | | DÜRKOPP 933-31 | DÜRKOPP 933-31 |
| 1 | 93378993 | Kopfdeckel | Face plate |
| 2 | 93378995 | Dichtung | Gasket |
| 3 | 93311296 | Zyl.-Schraube | Cyl. head screw |
| 4 | 93370175 | Zyl.-Schraube | Cyl. head screw |
| 5 | 93378998 | Hülse | Sleeve |
| 6 | 93378999 | Gewindestift | Threaded stud |
| 7 | 212232 | 6kt.-Mutter | Hexagonal nut |
| 8 | 93379012 | Winkel | Angle |
| 9 | 55881 | 6kt.-Schraube | Hexagonal screw |
| 10 | 024275 | Scheibe | Washer |
| 11 | 93379016 | Blasrohr kpl. (mit Pos. 12) | Blowing pipe cpl. (with pos. 12) |
| 12 | 570698 | Spannhülse | Clamping sleeve |
| 13 | 7221139 | Stecknippel | Plug |
| 14 | 7461033 | Zyl.-Schraube | Cyl. head screw |
| 15 | 93379073 | Schwingplatte | Swinging platform |
| 16 | 93646 | Zyl.-Schraube | Cyl. head screw |
| 17 | 29188 | Gewindestift | Threaded stud |
| 18 | 74450244 | 6kt.-Mutter | Hexagonal nut |
| 19 | 93379092 | Bolzen | Bolt |
| 20 | 902140 | Gewindestift | Threaded stud |
| 21 | 93379095 | Rollenhalter | Roll holder |
| 22 | 93379101 | Hebel | Lever |
| 23 | 7441509 | Zyl.-Schraube | Cyl. head screw |
| 24 | 380286 | Winkelgelenk | Angle joint |
| 25 | 557111 | Zahnscheibe | Tooth lock washer |
| 26 | 93379110 | Druckfeder | Pressure spring |
| 27 | 93379122 | Bolzen | Bolt |
| 28 | 93379123 | Rolle | Roll |
| 29 | 93379124 | Nadelkranz | Needle collar |
| 30 | 93379142 | Zylinder-Rohr | Cylindrical tube |
| 31 | 93379144 | Lasche | Shackle |
| 32 | NBO/1114 | Zyl.-Schraube | Cyl. head screw |
| 33 | 93379152 | Kolben | Piston |
| 34 | 7426431 | Lippenring | Lip seal |
| 35 | 93379156 | Platte | Plate |
| 36 | 746768 | L-Stecknippel | Plug |
| 37 | 74241799 | Dichtung | Gasket |
| 38 | 7441968 | Zyl.-Schraube | Cyl. head screw |
| 41 | 93379169 | Lasche | Shackle |
| 42 | 93379182 | Zylinder-Rohr | Cylindrical tube |
| 43 | 93379186 | Stopfen | Plug |
| 44 | 246344 | O-Ring | O-ring |

| Pos. Det. | Teile Nr. Part No. | Benennung | Denomination |
|-----------|--------------------|-----------------|-----------------|
| 45 | 93379189 | Kolben | Piston |
| 46 | 21154075 | Lippenring | Lip seal |
| 47 | 570138 | Sicher.-Scheibe | Lock washer |
| 48 | 93379201 | Lasche | Shackle |
| 49 | 255625 | Scheibe | Washer |
| 50 | 93379211 | Buchse | Bush |
| 51 | 93379214 | Buchse | Bush |
| 52 | 55890 | Scheibe | Washer |
| 53 | 57010175 | Zugfeder | Draw spring |
| 54 | 93379232 | Fadenöler | Thread oiler |
| 56 | 93379150 | Bolzen | Bolt |
| 57 | 93379245 | Fadenführung | Thread guidance |
| 58 | 0215 | Scheibe | Washer |
| 59 | 74611358 | Gewindestange | Threaded rod |
| 60 | 93379246 | Zyl.-Schraube | Cyl. head screw |
| 61 | 74450243 | Scheibe | Washer |

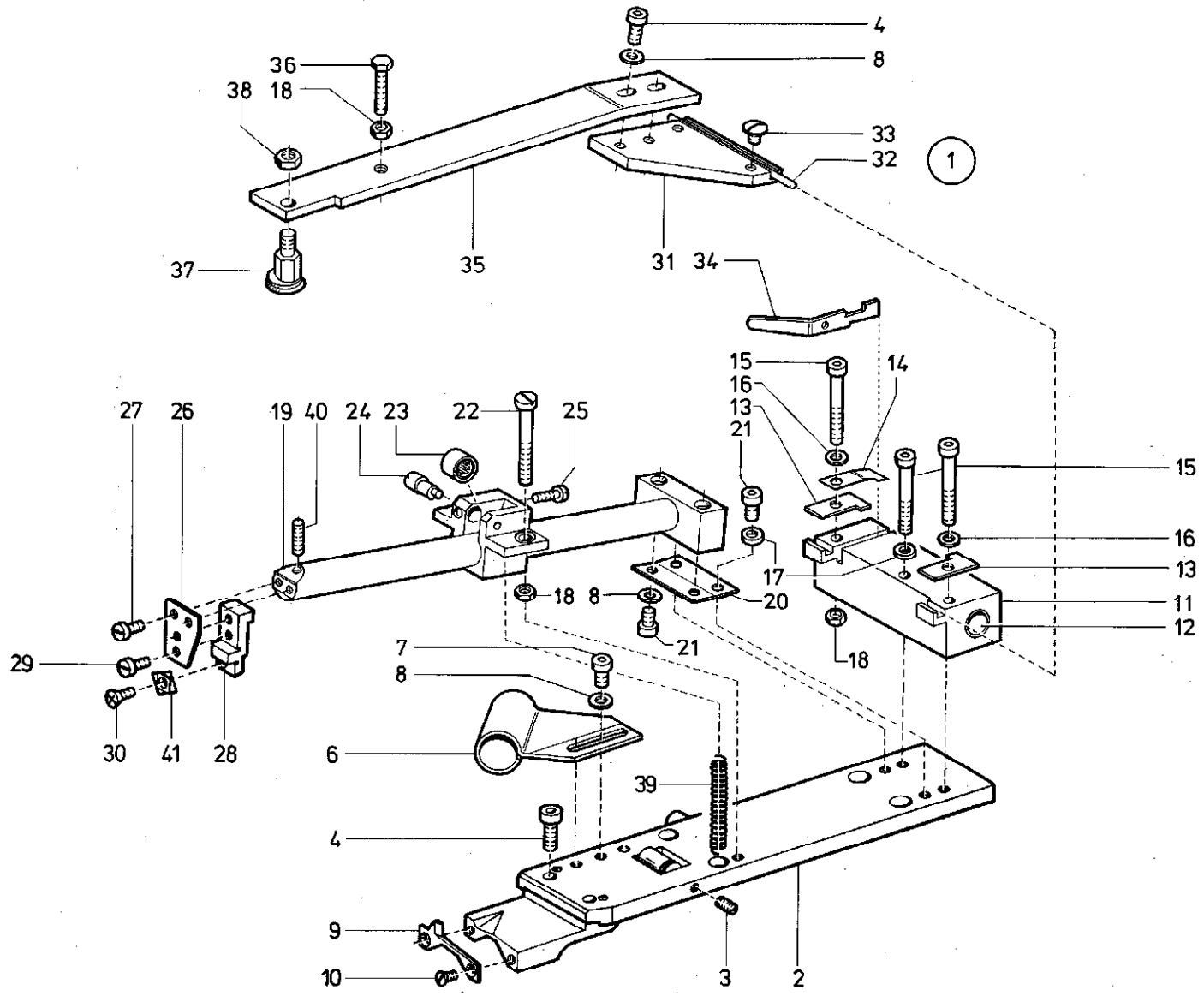
| Pos. Det. | Teile Nr. Part No. | Benennung | Denomination |
|-----------|--------------------|-----------|--------------|
|-----------|--------------------|-----------|--------------|



| Pos. Det. | Teile Nr. Part No. | Benennung | Denomination |
|-----------|--------------------|--|--|
| | | DÜRKOPP 933-31 | DÜRKOPP 933-31 |
| 1 | 93379252 | Fadenführung | Thread guidance |
| 2 | 7461033 | Zyl.-Schraube | Cyl. head screw |
| 3 | 933196 | Führungsblech | Guide plate |
| 4 | 9332006 | Fadenführung | Thread guidance |
| 5 | 21698 | Zyl.-Schraube | Cyl. head screw |
| 6 | 5691895 | Scheibe | Washer |
| 7 | 93379272 | Fadensp.-Zyl. kpl. (best. aus Pos. 8 bis 19 und 38) | Thread tension cylinder cpl. (cons. of pos. 8 up to 19 and 38) |
| 8 | 93379274 | Zylinder | Cylinder |
| 9 | 93379282 | Kolben | Piston |
| 10 | 246348 | Lippenring | Lip seal |
| 11 | 93379286 | Buchse | Bush |
| 12 | 93379288 | Spannungsachse | Axis of stress |
| 13 | 93379289 | Stift | Pin |
| 14 | 93379290 | Sprengring | Spring ring |
| 15 | 092210 | Spann.-Scheibe | Strain disc |
| 16 | 911352 | Spann.-Feder (schwach) | Tension spring |
| 17 | 913359 | Spann.-Feder (stark) | Tension spring |
| 18 | 911353 | Stellmutter | Adjusting nut |
| 19 | 7972313 | Drehverteiler | Rotating distributor |
| 20 | 911350 | Spann.-Achse | Axis of stress |
| 21 | 933237 | Spannungsträger kpl. (best. aus Pos. 22, 23, 24, 25) | Tension support cpl. (cons. of pos. 22, 23, 24, 25) |
| 22 | 933238 | Spannungsträger | Tension support |
| 23 | 933241k | Spann.-Leiste kpl. (mit Pos. 30, 31, 32) | Tension ridge cpl. (with pos. 30, 31, 32) |
| 24 | 933182 | Zyl.-Schraube | Cyl. head screw |
| 25 | 933243 | Abstandshülse | Distance sleeve |
| 27 | 55680 | Linsenschraube | Fillister head screw |
| 28 | 933251 | Abstandshülse | Distance sleeve |
| 30 | 911320 | Haltestift | Retaining pin |
| 31 | 739347 | Zahnscheibe | Tooth lock washer |
| 32 | 202704 | 6kt.-Mutter | Hexagonal nut |
| 33 | 933561 | Fadenrinne kpl. (mit Pos. 6 und 34) | Thread channel cpl. (with pos. 6 and 34) |
| 34 | 211198 | 6kt.-Mutter | Hexagonal nut |
| 35 | 933156 | Fadenführung | Thread guidance |
| 36 | 216239 | Senkschraube | Countersunk screw |
| 37 | 913358 | Spannung kpl. (best. aus Pos. 15, 16, 18, 20) | Tension cpl. (cons. of pos. 15, 16, 18, 20) |

| Pos. Det. | Teile Nr. Part No. | Benennung | Denomination |
|-----------|--------------------|---------------|----------------|
| 38 | 93379285 | Sicher.-Ring | Circip |
| 39 | 9710920012 | Drosselventil | Throttle valve |
| 40 | 93374261 | Muffe | Bushing |
| 41 | 7972016 | Stecknippel | Plug |

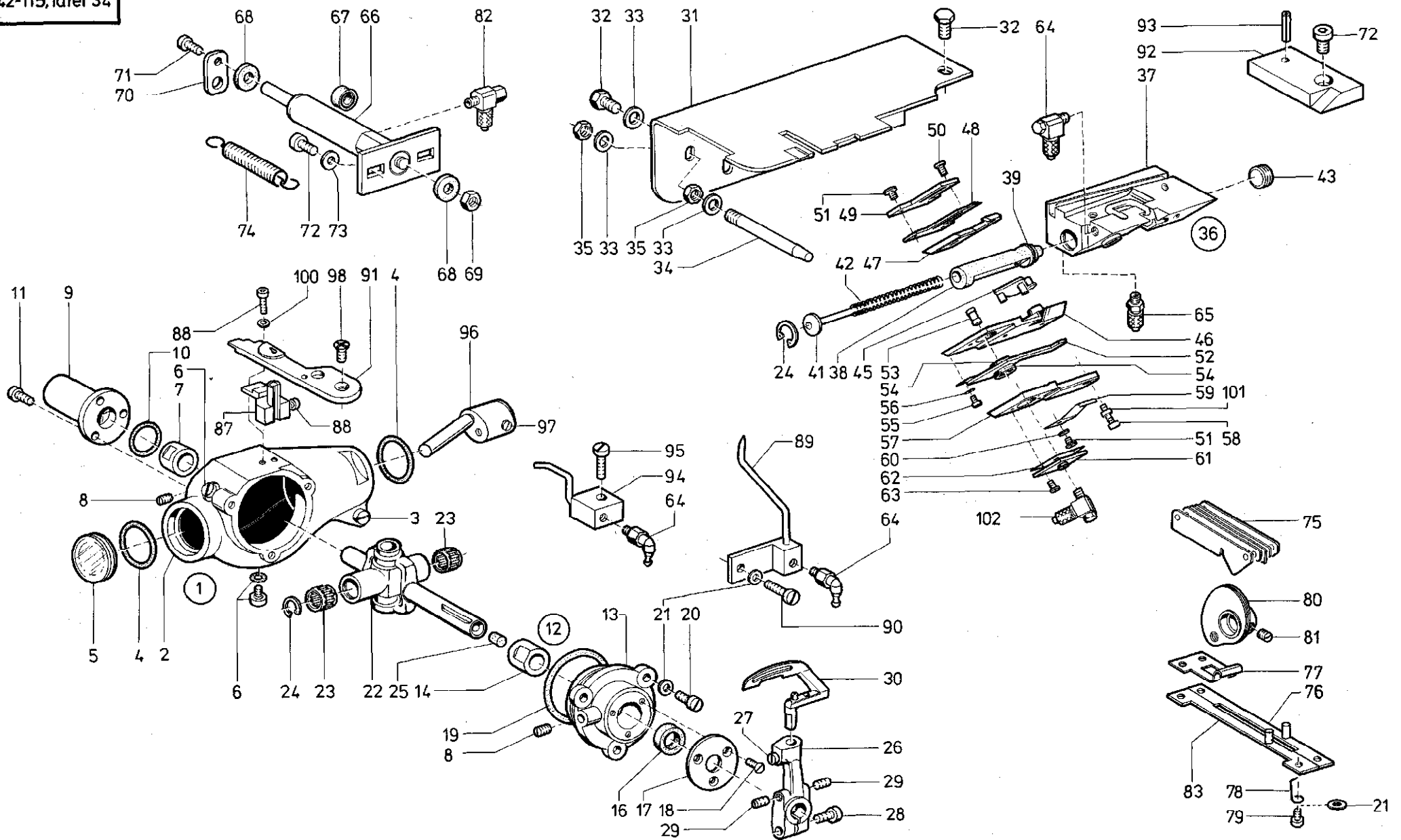
| Pos. Det. | Teile Nr. Part No. | Benennung | Denomination |
|-----------|--------------------|-----------|--------------|
|-----------|--------------------|-----------|--------------|



| Pos. Det. | Teile Nr. Part No. | Benennung | Denomination |
|-----------|--------------------|--|--|
| 1 | 93380141 | Schneideeinrichtung kpl. (best. aus Pos. 2 bis 41) | Cutting device cpl. (cons. of pos. 2 up to 41) |
| 2 | 93380143 | Messerhalter | Knife holder |
| 3 | 74690312 | Gewindestift | Threaded stud |
| 4 | 7441509 | Zyl.-Schraube | Cyl. head screw |
| 6 | 93380016 | Schlauchschelle | Hose strap |
| 7 | 265565 | Zyl.-Schraube | Cyl. head screw |
| 8 | 74450243 | Scheibe | Washer |
| 9 | 93380022 | Untermesser | Lower knife |
| 10 | 420324 | Senkschraube | Countersunk screw |
| 11 | 93380031 | Lagerbock kpl. (mit Pos. 12) | Pillow block cpl. (with pos. 12) |
| 12 | 741346 | Buchse | Bush |
| 13 | 93380035 | Lasche | Shackle |
| 14 | 93380036 | Federblech | Spring plate |
| 15 | 74611448 | Zyl.-Schraube | Cyl. head screw |
| 16 | 024275 | Scheibe | Washer |
| 17 | 380289 | Scheibe | Washer |
| 18 | 74450244 | 6kt.-Mutter | Hexagonal nut |
| 19 | 93380063 | Hebel | Lever |
| 20 | 93380074 | Blattfeder | Leaf spring |
| 21 | 746879 | Zyl.-Schraube | Cyl. head screw |
| 22 | 914315 | Zyl.-Schraube | Cyl. head screw |
| 23 | 570777 | Nadellager | Needle bearing |
| 24 | 93380084 | Exzenterbolzen | Eccentric bolt |
| 25 | 74420778 | Zyl.-Schraube | Cyl. head screw |
| 26 | 93380152 | Blattfeder | Leaf spring |
| 27 | 216601 | Zyl.-Schraube | Cyl. head screw |
| 28 | 93380153 | Messerhalter | Knife holder |
| 29 | 237624 | Zyl.-Schraube | Cyl. head screw |
| 30 | 93380156 | Senkschraube | Countersunk screw |
| 31 | 93380113 | Platte | Plate |
| 32 | 93380114 | Zylinderstift | Cylinder pin |
| 33 | 216775 | Linsenschraube | Fillister head screw |
| 34 | 93380115 | Hebel | Lever |
| 35 | 93380118 | Steuerhebel | Operating lever |
| 36 | 702604 | 6kt.-Schraube | Hexagonal screw |
| 37 | 93380132 | Exzenter | Eccentric |
| 38 | 216660 | 6kt.-Mutter | Hexagonal nut |
| 39 | 93380107 | Druckfeder | Pressure spring |
| 40 | 93380087 | Gewindestift | Threaded stud |
| 41 | 93380155 | Messer | Knife |

| Pos. Det. | Teile Nr. Part No. | Benennung | Denomination |
|-----------|--------------------|-----------|--------------|
|-----------|--------------------|-----------|--------------|

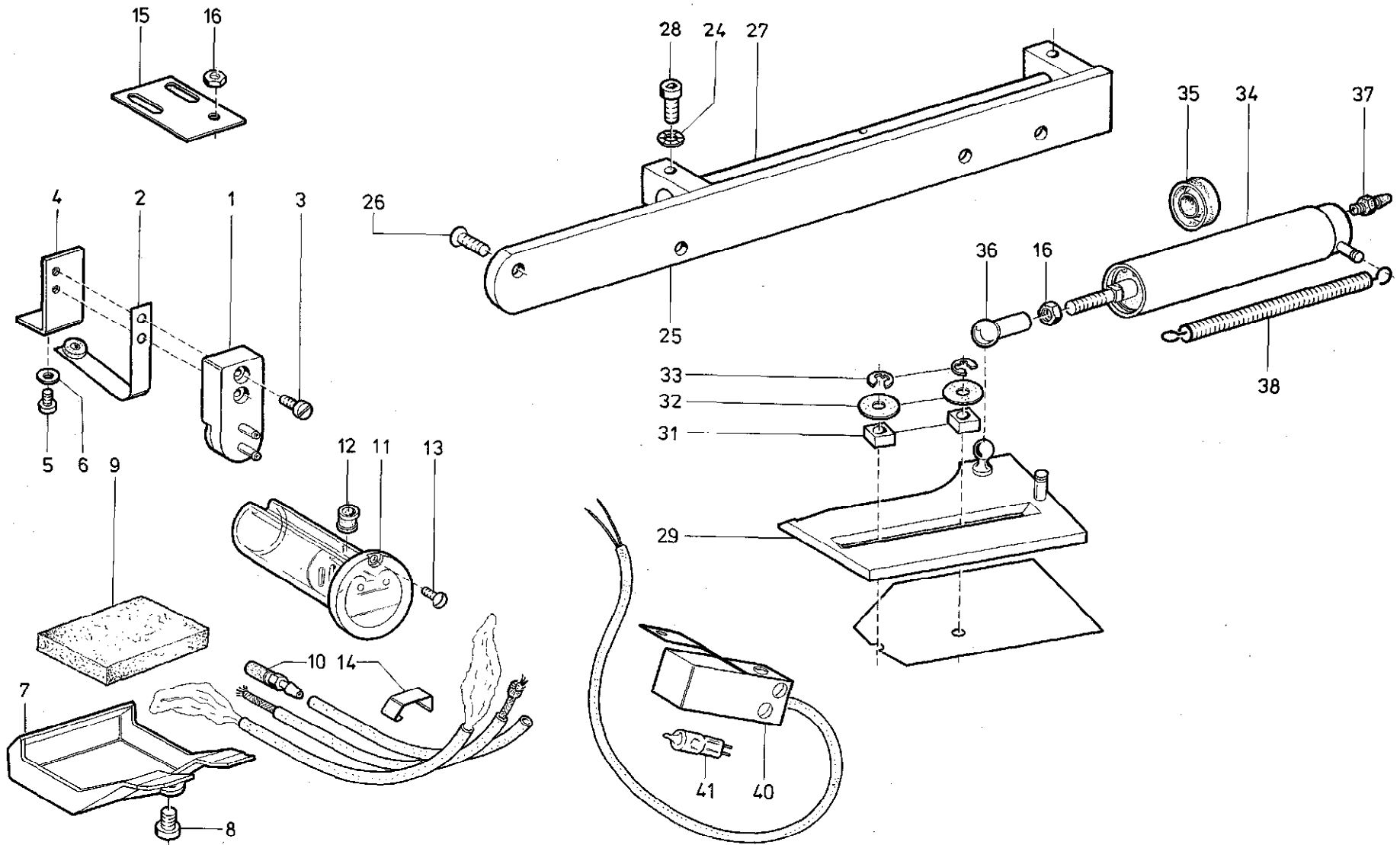
| Pos. Det. | Teile Nr. Part No. | Benennung | Denomination |
|-----------|--------------------|-----------|--------------|
|-----------|--------------------|-----------|--------------|



| Pos. Det. | Teile Nr. Part No. | Benennung | Denomination |
|-----------|--------------------|---|--|
| | | DÜRKOPP 933-31 | DÜRKOPP 933-31 |
| 1 | 93379751 | Gehäuse kpl. (best. aus Pos. 2, 3, 4, 5, 6, 7, 8, 9, 10, 11, 12, 19, 20, 21, 96) | Housing cpl. (cons. of pos. 2, 3, 4, 5, 6, 7, 8, 9, 10, 11, 12, 19, 20, 21, 96) |
| 2 | 933294 | Gehäuse | Housing |
| 3 | 7441236 | Zyl.-Schraube | Cyl. head screw |
| 4 | 21651 | Gummiring | Rubber ring |
| 5 | 211633 | Schauglas | Sight glass |
| 6 | 933300k | Zyl.-Schraube | Cyl. head screw |
| 7 | 933301 | Lager | Bearing |
| 8 | 2235047 | Gewindestift | Threaded stud |
| 9 | 93379752 | Stütze | Stay |
| 10 | 26512 | Gummiring | Rubber ring |
| 11 | 933335 | Zyl.-Schraube | Cyl. head screw |
| 12 | 933307 | Geh.-Deckel kpl. (best. aus Pos. 13, 14, 16, 17, 18, 8) | Housing cover cpl. (cons. of pos. 13, 14, 16, 17, 18, 8) |
| 13 | 933308 | Gehäusedeckel | Housing cover |
| 14 | 933309 | Lager | Bearing |
| 16 | 933311 | Nutring | Grooving ring |
| 17 | 933312 | Abdeckblech | Cover plate |
| 18 | 216496 | Senkschraube | Countersunk screw |
| 19 | 933314 | Gummiring | Rubber ring |
| 20 | 7461033 | Zyl.-Schraube | Cyl. head screw |
| 21 | 5691895 | Scheibe | Washer |
| 22 | 933318k | Lagerschwinge kpl. (mit Pos. 23, 24, 25) | Bearing rocker cpl. (with pos. 23, 24, 25) |
| 23 | 211408 | Nadelkranz | Needle collar |
| 24 | 933324 | Sicher.-Scheibe | Lock washer |
| 26 | 965527 | Greiferbock kpl. (mit Pos. 27, 28, 29) | Hook stand cpl. (with pos. 27, 28, 29) |
| 27 | 91192 | Zyl.-Schraube | Cyl. head screw |
| 28 | 21646 | Zyl.-Schraube | Cyl. head screw |
| 29 | 270256 | Gewindestift | Threaded stud |
| 30 | 933337a | Greifer | Hook |
| 31 | 93379542 | Haltewinkel | Retaining square |
| 32 | 9424586 | 6kt.-Schraube | Hexagonal screw |
| 33 | 557263 | Scheibe | Washer |
| 34 | 93379552 | Stift | Pin |
| 35 | 2113028 | 6kt.-Mutter | Hexagonal nut |
| 36 | 93379572 | Fad.-Schere kpl. (best. aus Pos. 37 bis 65) | Thread scissors cpl. (cons. of pos. 37 up to 65) |

| Pos. Det. | Teile Nr. Part No. | Benennung | Denomination |
|-----------|--------------------|---|--|
| 37 | 93379574 | Zylinder-Bock | Cylinder stand |
| 38 | 93322524 | Kolben | Piston |
| 39 | 93322527 | Gummiring | Rubber ring |
| 41 | 93322531 | Scheibe | Washer |
| 42 | 93322537 | Druckfeder | Pressure spring |
| 43 | 93379602 | Gewindestift | Threaded stud |
| 45 | 93322545 | Hebel | Lever |
| 46 | 93322552 | Abdeckplatte | Cover plate |
| 47 | 93322557 | Gegenmesser | Counter knife |
| 48 | 93322562 | Messer | Knife |
| 49 | 93322564 | Andrückblech | Pressing plate |
| 50 | 5565056 | Zyl.-Schraube | Cyl. head screw |
| 51 | 93322567 | Linsenschraube | Fillister head screw |
| 52 | 93379632 | Fadenklemme | Thread clamp |
| 53 | 93379637 | Bolzen | Bolt |
| 54 | 74425164 | Topfmanschette | Packing |
| 55 | 902729 | Zyl.-Schraube | Cyl. head screw |
| 56 | 57010373 | Scheibe | Washer |
| 57 | 93379642 | Abdeckplatte | Cover plate |
| 58 | 246369 | Zyl.-Schraube | Cyl. head screw |
| 59 | 03379645 | Blattfeder | Leaf spring |
| 60 | 913629 | Scheibe | Washer |
| 61 | 93379648 | Platte | Plate |
| 62 | 93379652 | Dichtung | Gasket |
| 63 | 55860 | Zyl.-Schraube | Cyl. head screw |
| 64 | 746768 | L-Stecknippel | Plug |
| 65 | 7422244 | Schl.-Verschr. | Hose coupling screw |
| 66 | 93379692 | Zylinder kpl. (mit Pos. 67, 68, 69, 70, 71) | Cylinder cpl. (with pos. 67, 68, 69, 70, 71) |
| 67 | 21154075 | Lippenring | Lip seal |
| 68 | 8421556 | Scheibe | Washer |
| 69 | 21660 | 6kt.-Mutter | Hexagonal nut |
| 70 | 93378902 | Lasche | Shackle |
| 71 | 570912 | Zyl.-Schraube | Cyl. head screw |
| 72 | 746879 | Zyl.-Schraube | Cyl. head screw |
| 73 | 024275 | Scheibe | Washer |
| 74 | 7461507 | Zugfeder | Draw spring |
| 75 | 93379761 | Fadenführung | Thread guidance |
| 76 | 9354996 | Trägerblech | Supporting plate |
| 77 | 93379777 | Feder | Spring |
| 78 | 93379778 | Feder | Spring |
| 79 | 7461033 | Zyl.-Schraube | Cyl. head screw |
| 80 | 933616 | Geberscheibe kpl. (mit Pos. 81) | Take-up lever disc cpl. (with pos. 81) |

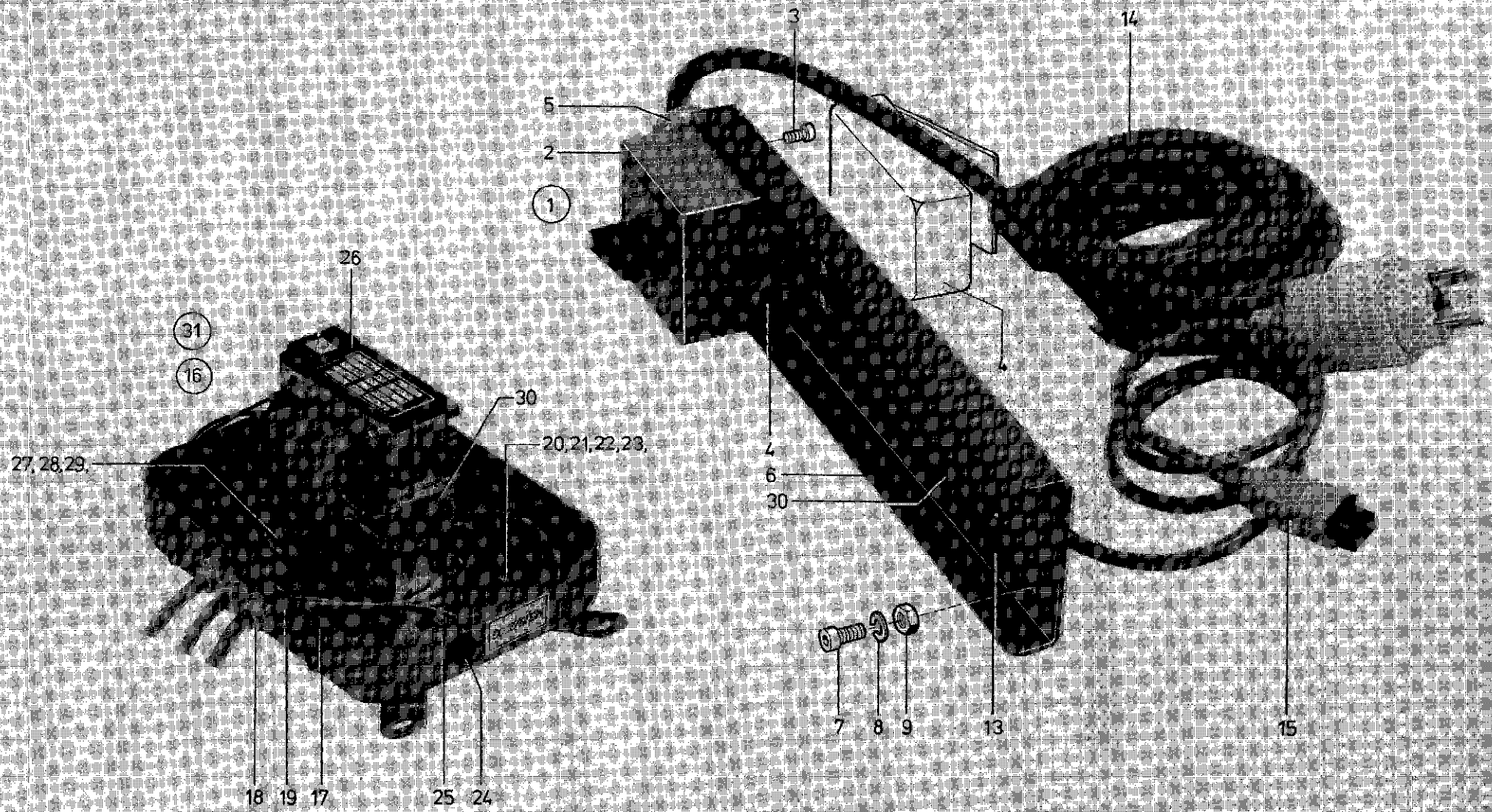
| Pos. Det. | Teile Nr. Part No. | Benennung | Denomination |
|-----------|--------------------|------------------------------------|---|
| 81 | 147203 | Gewindestift | Threaded stud |
| 82 | 797413 | Drosselventil | Throttle valve |
| 83 | 9354993 | Trägerblech | Supporting plate |
| 87 | 93379786 | Nadelschutz kpl. (mit Pos. 88) | Needle protector cpl. (with pos. 88) |
| 88 | 933335 | Zyl.-Schraube | Cyl. head screw |
| 89 | Z 132491 | Blasrohr | Blowing pipe |
| 90 | 21688 | Zyl.-Schraube | Cyl. head screw |
| 91 | 93379842 | Stichplatte | Throat plate |
| 92 | 93379857 | Platte | Plate |
| 93 | 216415 | Spannhülse | Clamping sleeve |
| 94 | 93379882 | Düse | Nozzle |
| 95 | 213370 | Zyl.-Schraube | Cyl. head screw |
| 96 | 933288 | Taumelbolzen kpl. (mit Pos. 97) | Tumbling bolt cpl. (with pos. 97) |
| 97 | 223646 | Gewindestift | Threaded stud |
| 98 | 216134 | Senkschraube | Countersunk screw |
| 100 | 1005233 | Scheibe | Washer |
| 101 | 93379773 | Hülse | Sleeve |
| 102 | 7971305 | Schl.-L-Verschr. | Hose L-coupling screw |

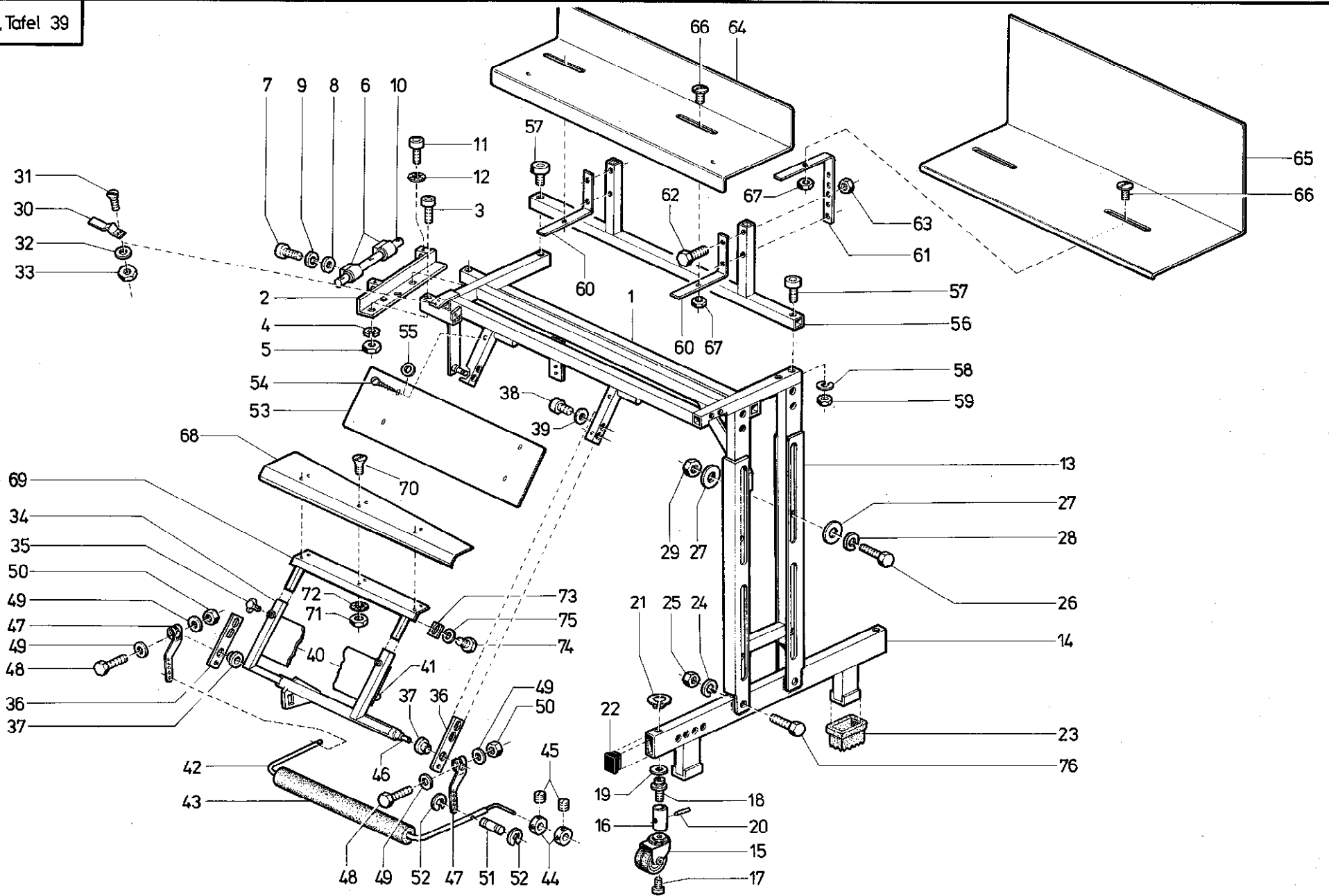


| Pos. Det. | Teile Nr. Part No. | Benennung | Denomination |
|--------------|-----------------------|----------------------------------|----------------------------------|
| | | DÜRKOPP 933-31 | DÜRKOPP 933-31 |
| 1 | 93375463 | Pumpe kpl. (mit Pos. 2, 3, 4) | Pump cpl. (with pos. 2, 3, 4) |
| 2 | 93375464 | Blattfeder | Leaf spring |
| 3 | 216573 | Zyl.-Schraube | Cyl. head screw |
| 4 | 93375468 | Winkel | Angle |
| 5 | 223676 | Zyl.-Schraube | Cyl. head screw |
| 6 | 531460 | Scheibe | Washer |
| 7 | 9392461 | Ölkasten | Oil case |
| 8 | 711444 | Zyl.-Schraube | Cyl. head screw |
| 9 | 9392464 | Filtzteil | Felt |
| 10 | 9331564 | Filter | Filter |
| 11 | 9331533 | Ölbehälter | Oil box |
| 12 | 211806 | Stopfen | Plug |
| 13 | 10019130 | Linsenschraube | Fillister head screw |
| 14 | 9331575 | Klammer | Clamp |
| 15 | 9331572 | Lasche | Shackle |
| 16 | MG 43/808 | 6kt.-Mutter | Hexagonal nut |
| 25 | 93379513 | Lasche | Shackle |
| 26 | 2412222 | Senkschraube | Countersunk screw |
| 27 | 93379518 | Bolzen | Bolt |
| 28 | 93311296 | Zyl.-Schraube | Cyl. head screw |
| 29 | 93379903 | Anschlag | Limit stop |
| 30 | 93379908 | Gleitblech | Sliding plate |
| 31 | 265270 | Gleitstein | Sliding stone |
| 32 | 244401 | Scheibe | Washer |
| 33 | 211100a | Sicher.-Scheibe | Lock washer |
| 34 | 93379916 | Zylinder kpl. (mit Pos. 35) | Cylinder cpl. (with pos. 35) |
| 35 | 7426431 | Lippenring | Lip seal |
| 36 | 211616 | Kugelpfanne | Ball socket |
| 37 | 7972016 | Schl.-Tülle | Hose nozzle |
| 38 | 5562029b | Zugfeder | Draw spring |
| 39 | 93341241 | Hülse | Sleeve |
| 40 | 798789004 | Greiferraumleuchte | Looper space lighting |

| Pos. Det. | Teile Nr. Part No. | Benennung | Denomination |
|--------------|-----------------------|--------------|--------------|
| 41 | 798280201 | Halogenlampe | Halogen lamp |

| Pos. Det. | Teile Nr. Part No. | Benennung | Denomination |
|--------------|-----------------------|-----------|--------------|
|--------------|-----------------------|-----------|--------------|

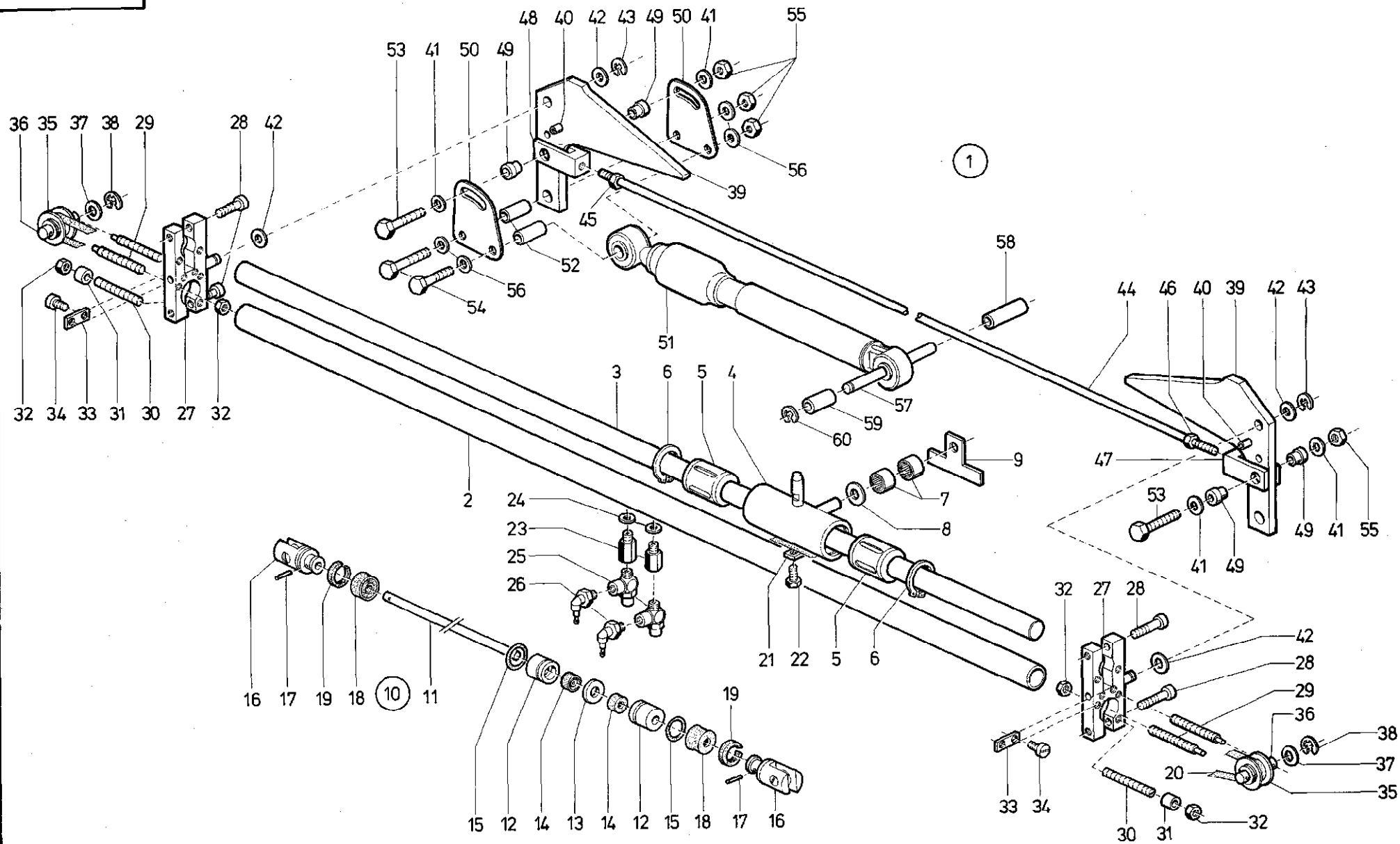




| Pos. Det. | Teile Nr. Part No. | Benennung | Denomination |
|--------------|-----------------------|---------------------------------|-----------------------------------|
| 1 | 74252071 | Rahmen | Frame |
| 2 | 74252142 | Winkel | Angle |
| 3 | 7425098 | Zyl.-Schraube | Cyl. head screw |
| 4 | 725520b | Federring | Spring ring |
| 5 | 72042a | 6kt.-Mutter | Hexagonal nut |
| 6 | 746265 | Lagerbock | Bearing block |
| 7 | 74240277 | Zyl.-Schraube | Cyl. head screw |
| 8 | 556574 | Scheibe | Washer |
| 9 | 7441131 | Federring | Spring ring |
| 10 | 74252161 | Bolzen | Bolt |
| 11 | 93311296 | Zyl.-Schraube | Cyl. head screw |
| 12 | 557111 | Zahnscheibe | Tooth lock washer |
| 13 | 7425102 | Ständer | Stand |
| 14 | MG 50/4552 | Fuß | Foot |
| 15 | MG 50/4558 | Apparaterolle | Attachm roller |
| 16 | MG 50/4559 | Buchse | Bush |
| 17 | 2492 | Zyl.-Schraube | Cyl. head screw |
| 18 | MG 50/4563 | Schraube | Screw |
| 19 | MG 50/4565 | Scheibe | Washer |
| 20 | 74240297 | Spannstift | Clamping pin |
| 21 | 2921229 | Sicher.-Ring | Circlip |
| 22 | 71811043 | Verschlusskappe | Sealing cap |
| 23 | MG 11/23 | Schalldämpfer | Silencer |
| 24 | 7425110 | Federring | Spring ring |
| 25 | 7425110a | 6kt.-Mutter | Hexagonal nut |
| 26 | 725497 | 6kt.-Schraube | Hexagonal screw |
| 27 | MG 43/14 | Scheibe | Washer |
| 28 | 911415 | Federscheibe | Spring washer |
| 29 | MG 43/13 | 6kt.-Mutter | Hexagonal nut |
| 30 | 74252523 | Lasche | Shackle |
| 31 | 90297 | Senkschraube | Countersunk screw |
| 32 | 5691895 | Scheibe | Washer |
| 33 | 202704 | 6kt.-Mutter | Hexagonal nut |
| 34 | 74252903 | Hebel | Lever |
| 35 | 569510 | Schraube | Screw |
| 36 | 74252922 | Lasche | Shackle |
| 37 | 74243183 | Buchse | Bush |
| 38 | 556362 | Zyl.-Schraube | Cyl. head screw |
| 39 | 557263 | Scheibe | Washer |
| 40 | 74252935 | Blech | Plate |
| 41 | 7441115 | Blechschrabe | Screw |
| 42 | 74253542 | Bügel | Bow |
| 43 | Z 112/278 | Schlauch | Hose |
| 44 | 531470k | Stellring kpl. (mit Pos. 45) | Set collar cpl. (with pos. 45) |

| Pos. Det. | Teile Nr. Part No. | Benennung | Denomination |
|--------------|-----------------------|-----------------|----------------------|
| 45 | 531471 | Gewindestift | Threaded stud |
| 46 | 74253552 | Welle | Shaft |
| 47 | MG 43/2558 | Hebel | Lever |
| 48 | 720293 | 6kt.-Schraube | Hexagonal screw |
| 49 | 72043 | Scheibe | Washer |
| 50 | 72042a | 6kt.-Mutter | Hexagonal nut |
| 51 | 74253559 | Bolzen | Bolt |
| 52 | 570128 | Sicher.-Scheibe | Circlip |
| 53 | 74253592 | Blech | Plate |
| 54 | 7441115 | Blechschrabe | Screw |
| 55 | 5691895 | Scheibe | Washer |
| 56 | 74253692 | Rohr | Tube |
| 57 | 7441107 | Zyl.-Schraube | Cyl. head screw |
| 58 | 7441017 | Federring | Spring ring |
| 59 | 72042a | 6kt.-Mutter | Hexagonal nut |
| 60 | 74253707 | Winkel | Angle |
| 61 | 74253709 | Winkel | Angle |
| 62 | 567920 | 6kt.-Schraube | Hexagonal screw |
| 63 | 72042a | 6kt.-Mutter | Hexagonal nut |
| 64 | 74253734 | Auflage | Support |
| 65 | 74253792 | Auflage | Support |
| 66 | 216364 | Linsenschraube | Fillister head screw |
| 67 | 2113028 | 6kt.-Mutter | Hexagonal nut |
| 68 | 74255074 | Auflage | Support |
| 69 | 74255705 | Stütze | Support |
| 70 | 74255716 | Senkschraube | Countersunk screw |
| 71 | 202704 | 6kt.-Mutter | Hexagonal nut |
| 72 | 911267 | Zahnscheibe | Tooth lock washer |
| 73 | 74255721 | Lasche | Shackle |
| 74 | 2691023 | 6kt.-Schraube | Hexagonal screw |
| 75 | 5691895 | Scheibe | Washer |
| 76 | 74240121 | 6kt.-Schraube | Hexagonal screw |

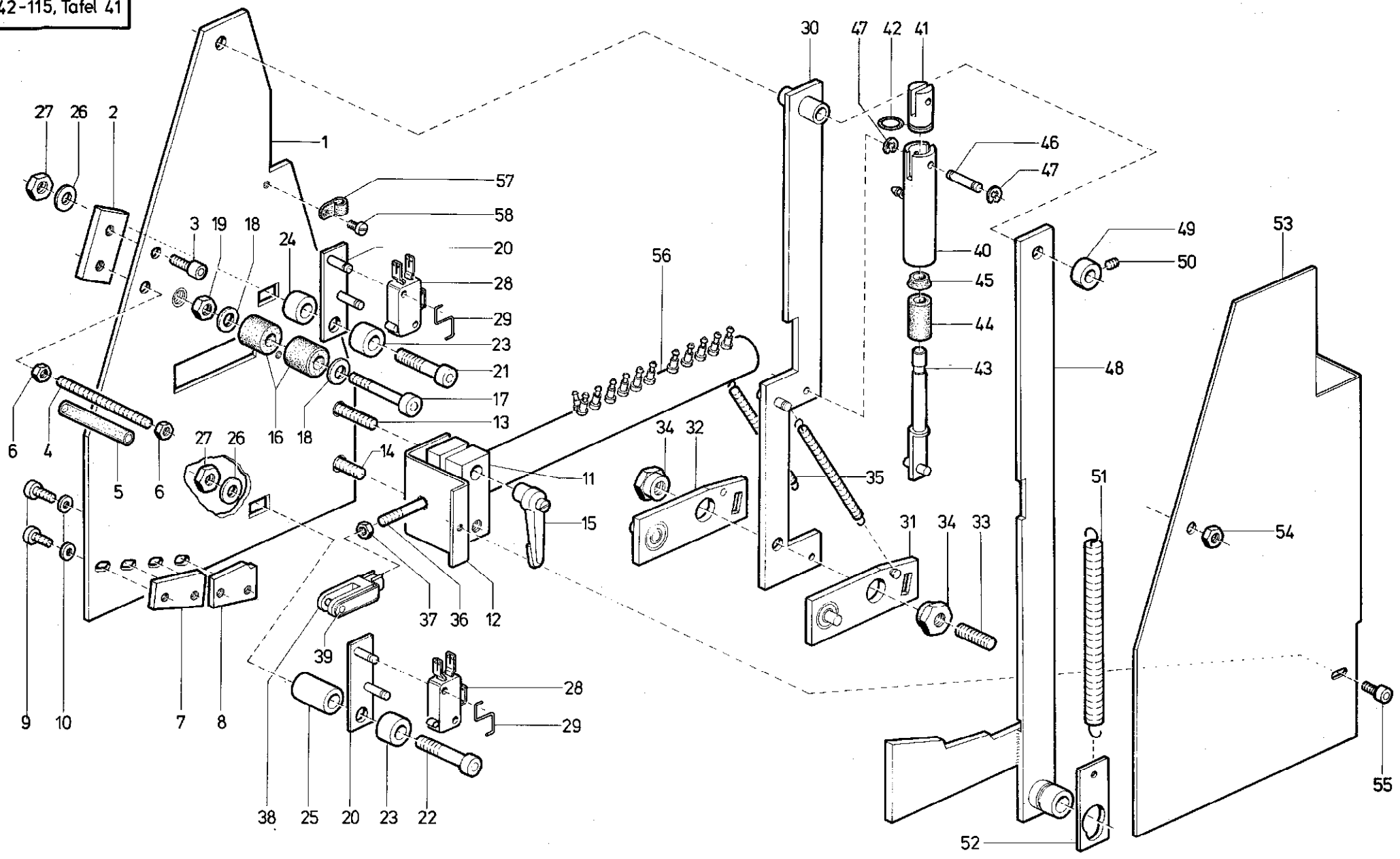
| Pos. Det. | Teile Nr. Part No. | Benennung | Denomination |
|--------------|-----------------------|-----------|--------------|
|--------------|-----------------------|-----------|--------------|



| Pos. Det. | Teile Nr. Part No. | Benennung | Denomination |
|-----------|--------------------|--|---|
| 1 | 74252253 | Zylinder kpl. (best. aus Pos. 1 bis 60) | Cylinder cpl. (cons. of pos. 1 up to 60) |
| 2 | 74252256 | Rohr | Tube |
| 3 | 74252258 | Welle | Shaft |
| 4 | 74252264 | Rohr | Tube |
| 5 | 741290 | Kugelbüchse | Ball type nipple |
| 6 | 93321228 | Sicher.-Ring | Safety ring |
| 7 | 74252275 | Nadellager | Needle bearing |
| 8 | 74252276 | Scheibe | Washer |
| 9 | 74252277 | Gleitstein | Slide block |
| 10 | 74252302 | Kolbenstange kpl. (best. aus Pos. 11 bis 19) | Piston rod cpl. (cons. of pos. 11 up to 19) |
| 11 | 74252304 | Kolbenstange | Piston rod |
| 12 | 74252306 | Buchse | Bush |
| 13 | 74252307 | Scheibe | Washer |
| 14 | 74241517 | Lippenring | Lip seal |
| 15 | 74221447 | O-Ring | O-Ring |
| 16 | 74252312 | Kolben | Piston |
| 17 | 570776 | Nadelrolle | Needle roll |
| 18 | 2462566 | Lippenring | Lip seal |
| 19 | 0020083083325 | Rundfilz | Felt |
| 20 | 74252326 | Zugband | Stretch band |
| 21 | 74252365 | Lasche | Shackle |
| 22 | 2691023 | 6kt.-Schraube | Hexagonal screw |
| 23 | 74241532 | Anschlußstück | Joining piece |
| 24 | 74241533 | Scheibe | Washer |
| 25 | 797409 | Drossel | Throttle |
| 26 | 74423556 | L-Stecknippel | Plug |
| 27 | 74252352 | Lagerbock | Bearing block |
| 28 | 902380 | Zyl.-Schraube | Cyl. head screw |
| 29 | 74252358 | Gewindestift | Threaded stud |
| 30 | Z 1511160 | Gewindestift | Threaded stud |
| 31 | 74650563 | Hülse | Sleeve |
| 32 | MG 8/7d | 6kt.-Mutter | Hexagonal nut |
| 33 | 74252365 | Lasche | Shackle |
| 34 | 798796 | Zyl.-Schraube | Cyl. head screw |
| 35 | 74241551 | Rolle | Roll |
| 36 | 74252371 | Bolzen | Bolt |
| 37 | 249342a | Scheibe | Washer |
| 38 | 211100a | Sicher.-Scheibe | Lock washer |
| 39 | 74252392 | Bremskeil | Brake block |
| 40 | 558786 | Spannhülse | Clamping sleeve |
| 41 | 7426076 | Scheibe | Washer |
| 42 | 10011153 | Scheibe | Washer |

| Pos. Det. | Teile Nr. Part No. | Benennung | Denomination |
|-----------|--------------------|-----------------|-----------------|
| 43 | 7443142 | Sicher.-Scheibe | Lock washer |
| 44 | 74252404 | Zugstange | Pull rod |
| 45 | MG 8/7d | 6kt.-Mutter | Hexagonal nut |
| 46 | 558101 | 6kt.-Mutter | Hexagonal nut |
| 47 | 74252407 | Gabel | Fork |
| 48 | 74252408 | Gabel | Fork |
| 49 | 74252411 | Buchse | Bush |
| 50 | 74252415 | Lasche | Shackle |
| 51 | 74221734 | Stoßdämpfer | Shock absorber |
| 52 | 74252418 | Buchse | Bush |
| 53 | 74424132 | 6kt.-Schraube | Hexagonal screw |
| 54 | TG 13/42 | 6kt.-Schraube | Hexagonal screw |
| 55 | MG 43/408 | 6kt.-Mutter | Hexagonal nut |
| 56 | 557263 | Scheibe | Washer |
| 57 | 74252481 | Bolzen | Bolt |
| 58 | 74252482 | Hülse | Sleeve |
| 59 | 74252483 | Hülse | Sleeve |
| 60 | 265289 | Sicher.-Scheibe | Lock washer |

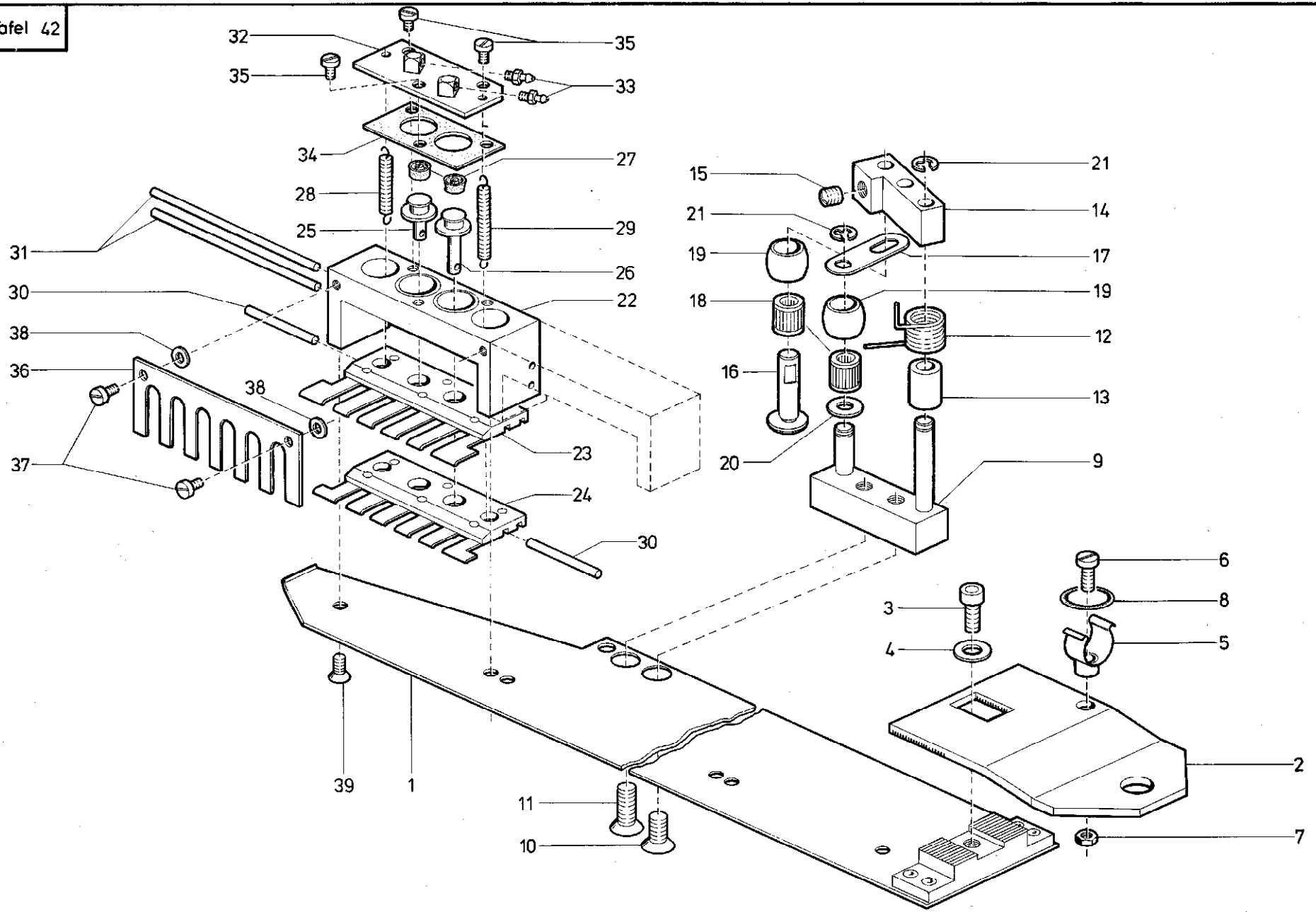
| Pos. Det. | Teile Nr. Part No. | Benennung | Denomination |
|-----------|--------------------|-----------|--------------|
|-----------|--------------------|-----------|--------------|



| Pos. Det. | Teile Nr. PartNo. | Benennung | Denomination |
|-----------|-------------------|---------------|------------------|
| 1 | 74253172 | Platte | Plate |
| 2 | 74253175 | Lasche | Shackle |
| 3 | 556362 | Zyl.-Schraube | Cyl. head screw |
| 4 | 74253178 | Gewindestange | Threaded rod |
| 5 | 0020089718060 | Schlauch | Hose |
| 6 | MG 43/409 | 6kt.-Mutter | Hexagonal nut |
| 7 | 74253181 | Lasche | Shackle |
| 8 | 74253183 | Lasche | Shackle |
| 9 | 265565 | Zyl.-Schraube | Cyl. head screw |
| 10 | 024275 | Scheibe | Washer |
| 11 | 74253222 | Kloben | Block |
| 12 | 74253223 | Winkel | Angle |
| 13 | 720131 | 6kt.-Schraube | Hexagonal screw |
| 14 | 720607 | 6kt.-Schraube | Hexagonal screw |
| 15 | 7421741 | Klemmhebel | Clamping lever |
| 16 | 5561793 | Gummipuffer | Rubber buffer |
| 17 | MG 41/1305 | Zyl.-Schraube | Cyl. head screw |
| 18 | 72043 | Scheibe | Washer |
| 19 | 72042a | 6kt.-Mutter | Hexagonal nut |
| 20 | 74253237 | Lasche | Shackle |
| 21 | 74420766 | Zyl.-Schraube | Cyl. head screw |
| 22 | 74420214 | Zyl.-Schraube | Cyl. head screw |
| 23 | 74253244 | Buchse | Bush |
| 24 | 74253245 | Buchse | Bush |
| 25 | 74253246 | Buchse | Bush |
| 26 | 72043 | Scheibe | Washer |
| 27 | 72042a | 6kt.-Mutter | Hexagonal nut |
| 28 | 739878 | Mikroschalter | Micro switch |
| 29 | 74221574 | Draht | Wire |
| 30 | 74253302 | Hebel | Lever |
| 31 | 74253312 | Lasche | Shackle |
| 32 | 74253314 | Lasche | Shackle |
| 33 | 7421896 | Gewindestift | Threaded stud |
| 34 | 74253343 | Mutter | Nut |
| 35 | 5561089 | Zugfeder | Draw spring |
| 36 | 74253347 | Stange | Rod |
| 37 | MG 8/7d | 6kt.-Mutter | Hexagonal nut |
| 38 | 5701116a | Gabelkopf | Forked head |
| 39 | 5701117 | ES-Bolzen | ES-Bolt |
| 40 | 74253362 | Zylinder-Rohr | Cylindrical tube |
| 41 | 74253367 | Stopfen | Plug |
| 42 | 9335660 | O-Ring | O-Ring |
| 43 | 74253374 | Kolbenstange | Piston rod |
| 44 | 74253378 | Buchse | Bush |
| 45 | 21154075 | Lippenring | Lip seal |

| Pos. Det. | Teile Nr. PartNo. | Benennung | Denomination |
|-----------|-------------------|-----------------|-----------------|
| 46 | 74253382 | Bolzen | Bolt |
| 47 | 255129 | Sicher.-Scheibe | Circlip |
| 48 | 74253412 | Hebel | Lever |
| 49 | 211187 | Stelling | Set collar |
| 50 | 531464 | Gewindestift | Threaded stud |
| 51 | 5562029b | Zugfeder | Draw spring |
| 52 | 74253426 | Lasche | Shackle |
| 53 | 74253432 | Abdeckblech | Cover plate |
| 54 | MG 43/409 | 6kt.-Mutter | Hexagonal nut |
| 55 | 246360 | Zyl.-Schraube | Cyl. head screw |
| 56 | 74255447 | Ventil | Valve |

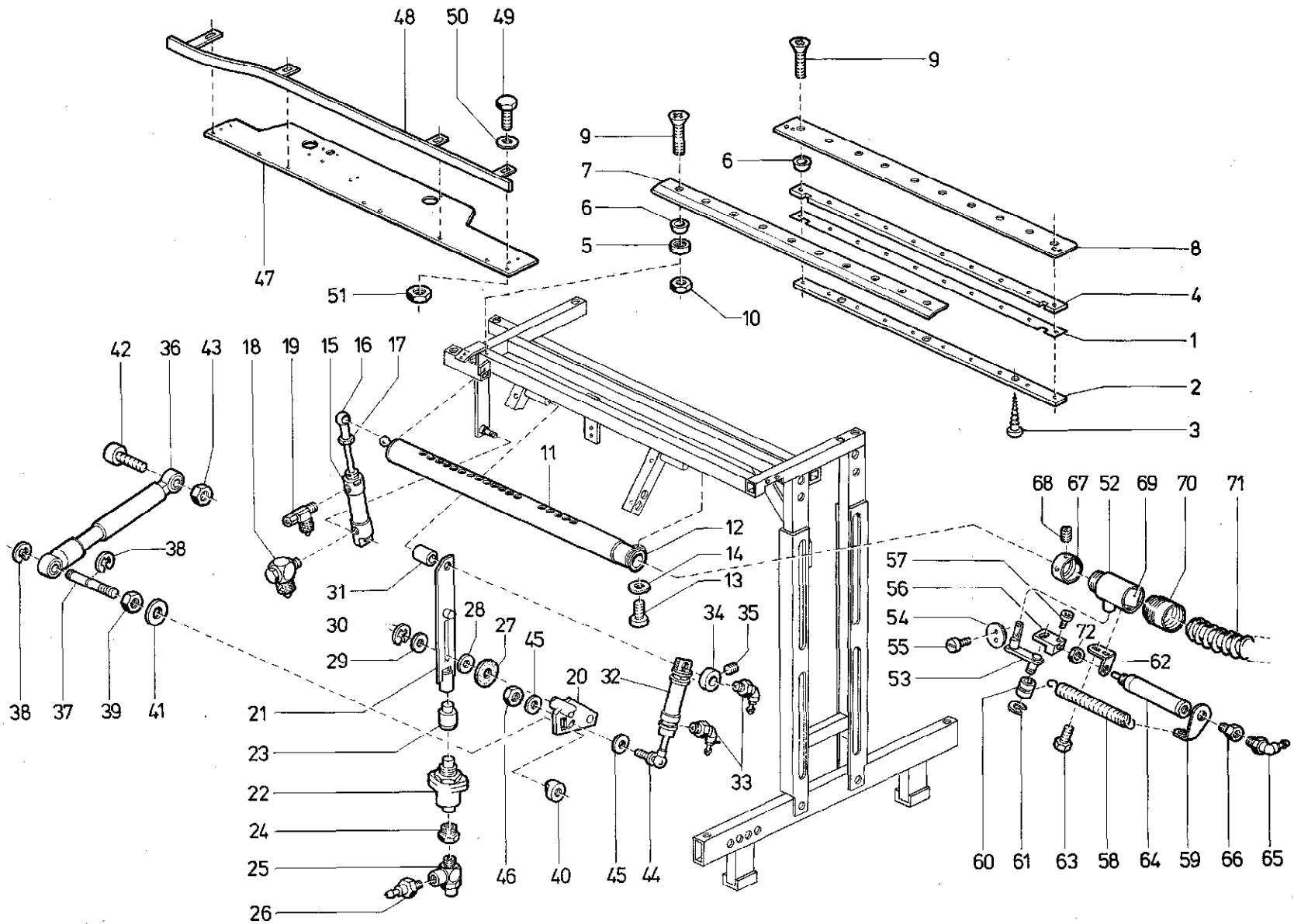
| Pos. Det. | Teile Nr. PartNo. | Benennung | Denomination |
|-----------|-------------------|-----------|--------------|
|-----------|-------------------|-----------|--------------|



| Pos. Det. | Teile Nr. Part No. | Benennung | Denomination |
|-----------|--------------------|-----------------|-------------------|
| 1 | 74255057 | Auflageblech | Support plate |
| 2 | 74255065 | Lasche | Shackle |
| 3 | 265565 | Zyl.-Schraube | Cyl. head screw |
| 4 | 739595 | Scheibe | Washer |
| 5 | 74412819 | Schelle | Clip |
| 6 | 746879 | Zyl.-Schraube | Cyl. head screw |
| 7 | MG 8/7d | 6kt.-Mutter | Hexagonal nut |
| 8 | 74242608 | O-Ring | O-Ring |
| 9 | 74255232 | Kloben | Block |
| 10 | 55613036 | Senkschraube | Countersunk screw |
| 11 | 55613153 | Senkschraube | Countersunk screw |
| 12 | 74255241 | Drehfeder | Torsion spring |
| 13 | 7927234a | Hülse | Sleeve |
| 14 | 74255244 | Kloben | Block |
| 15 | 421222 | Gewindestift | Threaded stud |
| 16 | 93379122 | Bolzen | Bolt |
| 17 | 74255247 | Lasche | Shackle |
| 18 | 93379124 | Nadelkäfig | Needle ring |
| 19 | 93379123 | Rolle | Roll |
| 20 | 74450243 | Scheibe | Washer |
| 21 | 255129 | Sicher.-Scheibe | Circlip |
| 22 | 74255305 | Gehäuse | Housing |
| 23 | 74255308 | Klammer | Clamp |
| 24 | 74255311 | Klammer | Clamp |
| 25 | 74255332 | Kolbenstange | Piston rod |
| 26 | 74255333 | Kolbenstange | Piston rod |
| 27 | 246348 | Lippenring | Lip seal |
| 28 | 74255338 | Zugfeder | Draw spring |
| 29 | 74255339 | Zugfeder | Draw spring |
| 30 | 74255342 | Draht | Wire |
| 31 | 74255343 | Draht | Wire |
| 32 | 74255346 | Platte | Plate |
| 33 | 7972016 | Schlauchtülle | Hose nozzle |
| 34 | 74255350 | Dichtung | Gasket |
| 35 | 739297 | Zyl.-Schraube | Cyl. head screw |
| 36 | 74255355 | Platte | Plate |
| 37 | 55860 | Zyl.-Schraube | Cyl. head screw |
| 38 | 913629 | Scheibe | Washer |
| 39 | 420324 | Senkschraube | Countersunk screw |

| Pos. Det. | Teile Nr. Part No. | Benennung | Denomination |
|-----------|--------------------|-----------|--------------|
|-----------|--------------------|-----------|--------------|

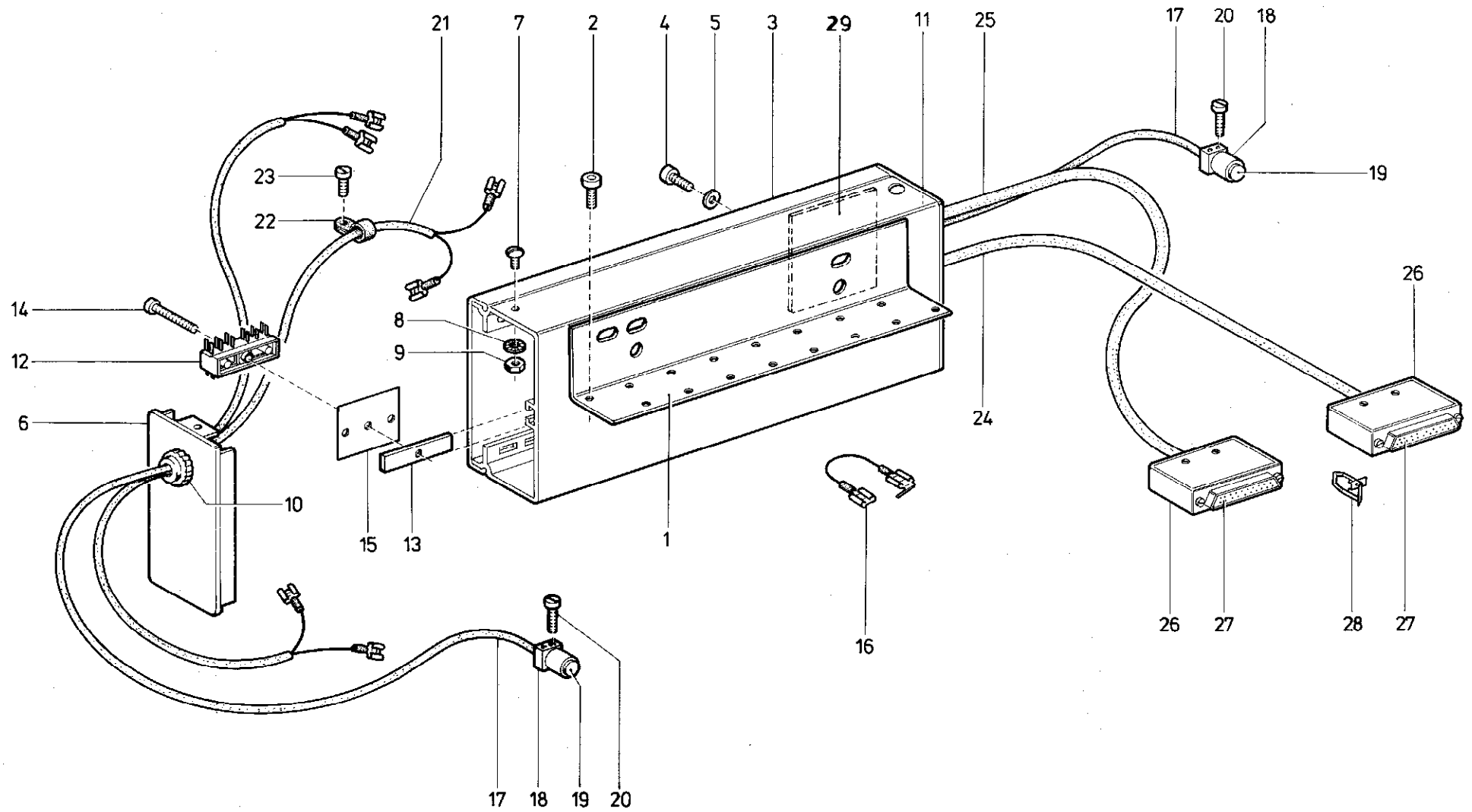
| Pos. Det. | Teile Nr. Part No. | Benennung | Denomination |
|-----------|--------------------|-----------|--------------|
|-----------|--------------------|-----------|--------------|

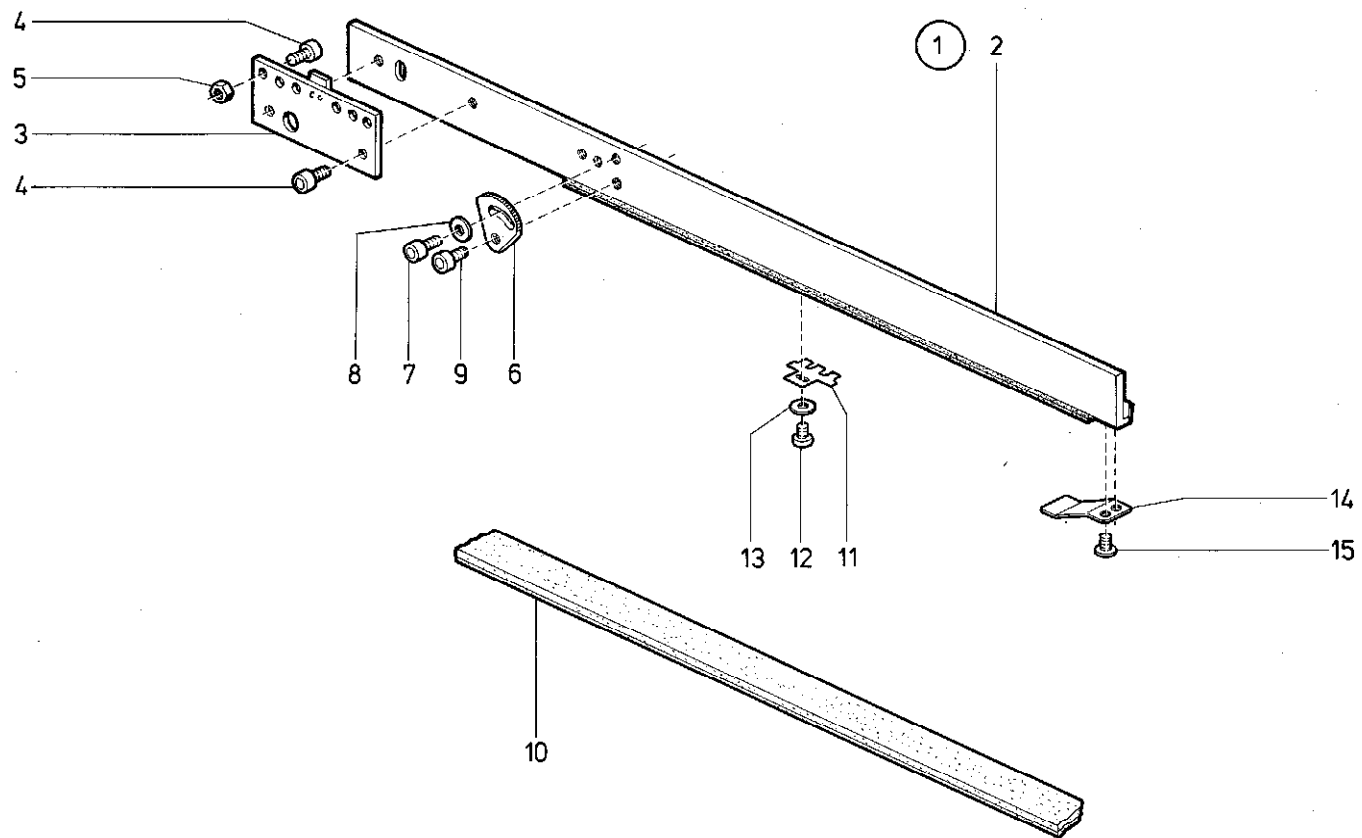


| Pos. Det. | Teile Nr. Part No. | Benennung | Denomination |
|-----------|--------------------|-----------------|-------------------|
| 1 | 74252502 | Gleitblech | Slide plate |
| 2 | 74252503 | Leiste | Reglet |
| 3 | 7441115 | Blechschraube | Tin plate screw |
| 4 | 74252506 | Leiste | Reglet |
| 5 | 74252508 | Distanzstück | Distance piece |
| 6 | 74252509 | Kugelscheibe | Ball washer |
| 7 | 74252513 | Gleitblech | Slide plate |
| 8 | 74252515 | Gleitblech | Slide plate |
| 9 | 74252517 | Senkschraube | Countersunk screw |
| 10 | 202704 | 6kt.-Mutter | Hexagonal nut |
| 11 | 74252761 | Saugrohr | Sucking tube |
| 12 | 74252782 | Rohr | Tube |
| 13 | 7441509 | Zyl.-Schraube | Cyl. head screw |
| 14 | 024275 | Scheibe | Washer |
| 15 | 74221996 | Zylinder | Cylinder |
| 16 | 93310868 | Kugelpfanne | Ball socket |
| 17 | MG 8/7d | 6kt.-Mutter | Hexagonal nut |
| 18 | 718155 | Verschraubung | Coupling screw |
| 19 | 797413 | Drosselventil | Throttle valve |
| 20 | 74252903 | Hebel | Lever |
| 21 | 74252963 | Lasche | Shackle |
| 22 | 7426332 | Zylinder | Cylinder |
| 23 | 74252975 | Kloben | Block |
| 24 | Z 116/61 | Reduzierstück | Reducer |
| 25 | 797409 | Drosselventil | Throttle valve |
| 26 | 74423566 | Stecknippel | Plug |
| 27 | 9335725 | Transportrolle | Transp. roll |
| 28 | 7441370 | Scheibe | Washer |
| 29 | 74252994 | Scheibe | Washer |
| 30 | 7443142 | Sicher.-Scheibe | Lock washer |
| 31 | 74252998 | Buchse | Bush |
| 32 | 74253022 | Zylinder | Cylinder |
| 33 | 746768 | L-Stecknippel | Plug |
| 34 | 211187 | Stellring | Set collar |
| 35 | 531464 | Gewindestift | Threaded stud |
| 36 | 74221734 | Stoßdämpfer | Shock absorber |
| 37 | 74253063 | Gewinde-Bolzen | Threaded bolt |
| 38 | 650353 | Sicher.-Ring | Circlip |
| 39 | 55614146 | 6kt.-Mutter | Hexagonal nut |
| 40 | 74240552 | Mutter | Nut |
| 41 | 7425027 | Scheibe | Washer |
| 42 | Z 112/392 | Zyl.-Schraube | Cyl. head screw |
| 43 | MG 43/13 | 6kt.-Mutter | Hexagonal nut |
| 44 | 74252918 | Kugelzapfen | Ball pin |
| 45 | 72043 | Scheibe | Washer |

| Pos. Det. | Teile Nr. Part No. | Benennung | Denomination |
|-----------|--------------------|-----------------|-----------------|
| 46 | 72042a | 6kt.-Mutter | Hexagonal nut |
| 47 | 74255802 | Grundplatte | Base plate |
| 48 | 74255806 | Schiene | Rail |
| 49 | 7441658 | 6kt.-Schraube | Hexagonal screw |
| 50 | MG 43/2510 | Scheibe | Washer |
| 51 | MG 43/409 | 6kt.-Mutter | Hexagonal nut |
| 52 | 722913a | Ventilgehäuse | Valve housing |
| 53 | 722918a | Hebel | Lever |
| 54 | 722929a | Drosselklappe | Throttle flap |
| 55 | 213370 | Zyl.-Schraube | Cyl. head screw |
| 56 | 722871 | Klemmkloben | Clamping block |
| 57 | 7441968 | Zyl.-Schraube | Cyl. head screw |
| 58 | 746987a | Zugfeder | Draw spring |
| 59 | 7461431 | Winkel | Angle |
| 60 | 74245011 | Rolle | Roll |
| 61 | 255129 | Sicher.-Scheibe | Lock washer |
| 62 | 722932a | Winkel | Angle |
| 63 | 5561313a | 6kt.-Schraube | Hexagonal screw |
| 64 | 7441868 | Zylinder | Cylinder |
| 65 | 746768 | Stecknippel | Plug |
| 66 | Z 120362 | Reduzierstück | Reducing piece |
| 67 | 74252814 | Rohr | Tube |
| 68 | 421222 | Gewindestift | Threaded stud |
| 69 | 74245032 | Blech | Plate |
| 70 | 722728 | Verschraubung | Coupling screw |
| 71 | 0020071073500 | Schlauch | Hose |
| 72 | Z 151109 | 6kt.-Mutter | Hexagonal nut |

| Pos. Det. | Teile Nr. Part No. | Benennung | Denomination |
|-----------|--------------------|-----------|--------------|
|-----------|--------------------|-----------|--------------|





| Pos. Det. | Teile Nr. Part No. | Benennung | Denomination |
|-----------|--------------------|--|--|
| 1 | 74255055 | Führ.-Schiene kpl. (best. aus Pos. 2 bis 15 und auf Tafel 37, Pos. 68, auf Tafel 40, Pos. 1) | Guide rail cpl. (cons. of pos. 2 up to 15 and on table 37, pos. 68, on table 40, pos. 1) |
| 2 | 74247206 | Führungsschiene | Guide rail |
| 3 | 74255112 | Lasche | Shackle |
| 4 | 246360 | Zyl.-Schraube | Cyl. head screw |
| 5 | 202704 | 6kt.-Mutter | Hexagonal nut |
| 6 | 7932764 | Anschlag | Guide |
| 7 | 7461033 | Zyl.-Schraube | Cyl. head screw |
| 8 | 02480a | Scheibe | Washer |
| 9 | 246360 | Zyl.-Schraube | Cyl. head screw |
| 10 | 79366983 | Belag | Coating |
| 11 | 74247213 | Blattfeder | Leaf spring |
| 12 | 216354 | Zyl.-Schraube | Cyl. head screw |
| 13 | 1005233 | Scheibe | Washer |
| 14 | 74255098 | Blattfeder | Leaf spring |
| 15 | 93322567 | Linsenschraube | Fillister head screw |

| Pos. Det. | Teile Nr. Part No. | Benennung | Denomination |
|-----------|--------------------|-----------|--------------|
|-----------|--------------------|-----------|--------------|

| Pos. Det. | Teile Nr. Part No. | Benennung | Denomination |
|-----------|--------------------|-----------|--------------|
|-----------|--------------------|-----------|--------------|

| Best.-Nr. | Tafel | Best.-Nr. | Tafel | Best.-Nr. | Tafel | | | |
|------------|-------|--------------------------|-----------|-----------|--|-----|--------|--------------|
| App. | 53 | 18 | P125 | 47 | 6 | 211 | 305a | 27 |
| App. | 55 | 18 | TG13 | | 40 | 211 | 354 | 27 |
| App. | 56 | 18 | Z10010249 | | 14 | 211 | 355 | 27 |
| App. | 20160 | 2,15 | Z10011066 | | 3 | 211 | 361 | 27 |
| K077110220 | | 7 | Z10011222 | | 23,25 | 211 | 362 | 27 |
| K077110230 | | 7 | Z10011226 | | 23 | 211 | 365 | 27 |
| K990240058 | | 7 | Z10011255 | | 23,25 | 211 | 371 | 27 |
| K995340618 | | 7 | Z10011259 | | 23 | 211 | 371k | 27 |
| MG4 | 6 | 5 | Z112 | 127 | 15 | 211 | 393 | 21 |
| MG11 | 23 | 39 | Z112 | 210 | 17 | 211 | 408 | 34 |
| MG41 | 852a | 20 | Z112 | 224 | 15 | 211 | 455 | 9 |
| MG41 | 1263 | 1 | Z112 | 259 | 29 | 211 | 496 | 5 |
| MG41 | 1305 | 41 | Z112 | 278 | 39 | 211 | 499 | 27 |
| MG41 | 1356 | 2 | Z112 | 392 | 43 | 211 | 518 | 11 |
| MG41 | 3041 | 20,36 | Z112 | 499 | 1 | 211 | 539 | 29 |
| MG41 | 3046 | 36 | Z112 | 500 | 1 | 211 | 568 | 22 |
| MG41 | 4259a | 5 | Z112 | 611 | 9 | 211 | 609 | 12,14 |
| MG41 | 4260a | 20 | Z112 | 612 | 13 | 211 | 616 | 1,13,35 |
| MG41 | 4498 | 1 | Z112 | 259 | 1 | 211 | 633 | 34 |
| MG41 | 4571 | 3,5,14 | Z113 | 290 | 5,7 | 211 | 669 | 18 |
| MG41 | 4620 | 1 | Z116 | 49 | 5 | 211 | 700 | 18 |
| MG41 | 8383 | 36 | Z116 | 61 | 43 | 211 | 806 | 35 |
| MG41 | 8414 | 17,36 | Z119 | 341 | 14 | 211 | 3027 | 1 |
| MG41 | 8472 | 14,36 | Z120 | 362 | 5,20,43 | 211 | 3028 | 15,34,39 |
| MG41 | 8473 | 14,36 | Z123 | 205 | 16 | 211 | 3060 | 30 |
| MG43 | 11 | 15 | Z130 | 32 | 18,36 | 211 | 9052 | 30 |
| MG43 | 12 | 1,10,15 | Z132 | 491 | 34 | 211 | 50372a | 11 |
| MG43 | 13 | 1,39,43 | Z151 | 109 | 20,43 | 211 | 54075 | 5,9,31,34,41 |
| MG43 | 14 | 1,39 | | | | 211 | 54246 | 29 |
| MG43 | 36 | 15 | Z151 | 941 | 24 | 212 | 67 | 1 |
| MG43 | 62 | 1 | Z151 | 1160 | 40 | 212 | 113 | 27 |
| MG43 | 403 | 1 | 021 | 247b | 1 | 212 | 232 | 31 |
| MG43 | 404 | 1 | 021 | 5 | 31 | 212 | 627 | 27 |
| MG43 | 408 | 1,8,12,13,17,30,35,37,40 | 024 | 80a | 22,46 | 212 | 4743 | 27 |
| MG43 | 409 | 1,6,14,41,43 | 024 | 275 | 9,12,16,17,21,31,33,34,41,43 | 212 | 4744 | 27 |
| MG43 | 2510 | 43 | 025 | 356 | 2 | 212 | 4841 | 2,5,8 |
| MG43 | 2558 | 39 | 025 | 357 | 4 | 212 | 4876 | 11 |
| MG44 | 121 | 2,27,30 | 052 | 369 | 18 | 212 | 4881 | 28 |
| MG45 | 90 | 17 | 082 | 24 | 6 | 212 | 4882 | 2,8,28 |
| MG50 | 372 | 1 | 092 | 210 | 32 | 212 | 4909 | 8 |
| MG50 | 4552 | 1,39 | 147 | 203 | 27,34 | 213 | 370 | 27,34,43 |
| MG50 | 4558 | 1,39 | 202 | 704 | 1,2,3,5,6,7,8,9,14,16,17,21,22,30,32,39,43,45,46 | 213 | 2038 | 9 |
| MG50 | 4559 | 1,39 | | | | 216 | 5 | 11 |
| MG50 | 4563 | 1,39 | | | | 216 | 46 | 21,34 |
| MG50 | 4565 | 1,39 | 204 | 475 | 3 | 216 | 51 | 34 |
| MG50 | 4567 | 1 | 211 | 27 | 1 | 216 | 52 | 27 |
| MG8 | 7d | 5,9,12,35,40,41,42,43 | 211 | 63a | 11 | 216 | 68a | 27 |
| NB0 | 1114 | 30,31 | 211 | 100a | 8,10,35,40 | 216 | 88 | 3,34 |
| NB0 | 2431 | 6 | 211 | 101 | 5 | 216 | 98 | 29,32 |
| NB0 | 577 | 1 | 211 | 109 | 29 | 216 | 103 | 8 |
| P121 | 10 | 5,6 | 211 | 141a | 27 | 216 | 120 | 7,27 |
| P121 | 55 | 10,15 | 211 | 187 | 41,43 | 216 | 134 | 34 |
| P121 | 59 | 29 | 211 | 198 | 32 | 216 | 155 | 21 |
| P121 | 110 | 1,11,12 | 211 | 203 | 2 | 216 | 229 | 27 |
| P121 | 127 | 14 | 211 | 245 | 8 | 216 | 239 | 32 |
| P125 | 19 | 2 | 211 | 257 | 27 | 216 | 307 | 2 |
| | | | 211 | 296 | 10 | 216 | 354 | 22,46 |
| | | | | | | 216 | 364 | 15,39 |

| Best.-Nr. | Tafel | Best.-Nr. | Tafel | Best.-Nr. | Tafel |
|-----------|-------|-------------------|-------|-----------|--------------------------------------|
| 216 | 415 | 34 | 270 | 256 | 34 |
| 216 | 496 | 34 | 291 | 88 | 31 |
| 216 | 573 | 35 | 291 | 347 | 5 |
| 216 | 601 | 14,33 | 292 | 1229 | 1,39 |
| 216 | 656 | 9 | 380 | 267 | 11 |
| 216 | 658 | 5 | 380 | 286 | 5,8,12,31 |
| 216 | 660 | 10,30,33 | 380 | 289 | 5,8,11,33 |
| 216 | 775 | 10,20,33 | 420 | 84 | 2 |
| 219 | 352 | 21 | 420 | 324 | 33,42 |
| 219 | 353 | 3,14,17,21,23,45 | 420 | 328 | 5 |
| 223 | 92 | 17 | 421 | 222 | 42,43 |
| 223 | 237 | 2,18,27 | 421 | 266 | 6 |
| 223 | 448 | 27 | 531 | 460 | 21,35,36 |
| 223 | 646 | 34 | 531 | 464 | 41,43 |
| 223 | 648 | 5,16,27 | 531 | 470k | 39 |
| 223 | 676 | 9,27,35 | 531 | 471 | 39 |
| 223 | 700 | 21,27,36 | 541 | 1395 | 11 |
| 223 | 1296 | 16,29 | 551 | 806 | 13 |
| 223 | 5047 | 34 | 551 | 987 | 14 |
| 227 | 596 | 16 | 551 | 1824 | 12,13 |
| 231 | 454 | 2,15 | 551 | 3338 | 24 |
| 237 | 624 | 33 | 556 | 80 | 21,32 |
| 238 | 6530 | 11,16,19,35 | 556 | 148 | 27 |
| 240 | 911 | 36 | 556 | 254 | 29 |
| 240 | 1129 | 20,36,45 | 556 | 352 | 2 |
| 240 | 1285 | 17 | 556 | 362 | 2,10,14,15,17,29, 39,41 |
| 241 | 2222 | 35 | 556 | 387 | 6 |
| 244 | 401 | 21,35 | 556 | 574 | 39 |
| 246 | 344 | 5,31 | 556 | 585 | 20 |
| 246 | 348 | 32,42 | 556 | 1089 | 41 |
| 246 | 360 | 16,22,30,41,46 | 556 | 1155 | 15 |
| 246 | 369 | 11,12 | 556 | 1168 | 1 |
| 246 | 984 | 15,21 | 556 | 1240 | 1,9 |
| 246 | 2566 | 16,40 | 556 | 1313a | 20,43 |
| 246 | 2576 | 16 | 556 | 1570 | 27 |
| 249 | 2 | 1,39 | 556 | 1793 | 41 |
| 249 | 264 | 6 | 556 | 2029b | 9,30,35,41 |
| 249 | 342a | 40 | 556 | 2588 | 9 |
| 249 | 364a | 20 | 556 | 2622 | 6 |
| 249 | 4883 | 5 | 556 | 5056 | 34 |
| 252 | 2955 | 29 | 556 | 13036 | 42 |
| 255 | 129 | 5,8,9,11,41,42,43 | 556 | 13153 | 42 |
| 255 | 356 | 1 | 556 | 13606 | 14 |
| 255 | 365 | 17 | 556 | 14146 | 2,5,6,29,43 |
| 255 | 625 | 31 | 556 | 14272 | 5,37 |
| 261 | 60 | 34 | 557 | 111 | 5,12,16,31,35,39 |
| 263 | 761 | 1 | 557 | 263 | 1,2,8,10,11,12,14, 17,21,34,39,40 |
| 264 | 762 | 21 | 557 | 837 | 6 |
| 265 | 12 | 34 | 557 | 1349 | 18 |
| 265 | 97 | 30 | 557 | 1494a | 1,15 |
| 265 | 177 | 9 | 558 | 60 | 34,42 |
| 265 | 270 | 35 | 558 | 60a | 27 |
| 265 | 289 | 13,40 | 558 | 81 | 12,31 |
| 265 | 565 | 5,6,30,33,41,42 | 558 | 90 | 6,31 |
| 265 | 685 | 5 | 558 | 101 | 6,40 |
| 265 | 8746 | 21 | 558 | 333 | 5 |
| 265 | 8878 | 1,29 | 558 | | |
| 269 | 1023 | 12,39,40 | 558 | | |
| | | | 558 | 786 | 22,40 |
| | | | 558 | 6269 | 22 |
| | | | 560 | 1941 | 9 |
| | | | 567 | 920 | 39 |
| | | | 569 | 510 | 39 |
| | | | 569 | 956 | 5,10,11,12 |
| | | | 569 | 1873 | 9 |
| | | | 569 | 1895 | 5,6,7,9,10,12,15, 16,32,34,39 |
| | | | 569 | 1922 | 2,4 |
| | | | 569 | 2773 | 4,15 |
| | | | 569 | 3278 | 3 |
| | | | 569 | 6995 | 15 |
| | | | 570 | 55 | 27 |
| | | | 570 | 118 | 2 |
| | | | 570 | 138 | 2,5,9,31,39 |
| | | | 570 | 304 | 29 |
| | | | 570 | 698 | 31 |
| | | | 570 | 776 | 40 |
| | | | 570 | 777 | 16,33 |
| | | | 570 | 912 | 6,9,12,29,30,34 |
| | | | 570 | 975 | 4 |
| | | | 570 | 1051 | 1 |
| | | | 570 | 1116a | 41 |
| | | | 570 | 1117 | 41 |
| | | | 570 | 1220 | 1,12 |
| | | | 570 | 1392 | 6,12 |
| | | | 570 | 1594 | 2,6,8,10 |
| | | | 570 | 1847 | 16 |
| | | | 570 | 10007 | 27 |
| | | | 570 | 10175 | 31 |
| | | | 570 | 10373 | 34 |
| | | | 650 | 292 | 27 |
| | | | 650 | 353 | 2,43 |
| | | | 700 | 43 | 1 |
| | | | 700 | 44 | 1 |
| | | | 700 | 45 | 1 |
| | | | 700 | 48 | 2 |
| | | | 700 | 1987 | 1 |
| | | | 700 | 1988 | 1 |
| | | | 702 | 20 | 27 |
| | | | 702 | 73 | 27 |
| | | | 702 | 210 | 11 |
| | | | 702 | 604 | 6,33 |
| | | | 711 | 444 | 35 |
| | | | 713 | 302 | 1 |
| | | | 714 | 188 | 27 |
| | | | 718 | 155 | 43 |
| | | | 718 | 11043 | 1,15,39 |
| | | | 718 | 12786 | 21 |
| | | | 719 | 10 | 21 |
| | | | 719 | 124 | 17,30 |
| | | | 720 | 42a | 1,2,15,17,36 39,41,43 |
| | | | 720 | 43 | 1,3,4,13,15,17,21, 39,41,43 |
| | | | 720 | 127 | 15 |
| | | | 720 | 131 | 41 |

| Best.-Nr. | Tafel | Best.-Nr. | Tafel | Best.-Nr. | Tafel | | | |
|-----------|-------|-----------------|-------|-----------|-----------------|-----|--------|-------------|
| 720 | 293 | 1,39 | 742 | 1556 | 34 | 742 | 21451 | 16 |
| 720 | 607 | 1,15,41 | 742 | 1660 | 11 | 742 | 21458 | 16 |
| 721 | 177a | 21 | 742 | 1661 | 11 | 742 | 21459 | 16 |
| 721 | 179 | 21 | 742 | 1689 | 22 | 742 | 21483 | 15 |
| 722 | 694 | 20 | 742 | 1741 | 41 | 742 | 21486 | 15 |
| 722 | 711 | 20 | 742 | 1752 | 2 | 742 | 21494 | 15 |
| 722 | 717 | 20 | 742 | 1755 | 2 | 742 | 21503a | 16 |
| 722 | 721 | 20 | 742 | 1757 | 2 | 742 | 21504 | 16 |
| 722 | 726 | 20 | 742 | 1759 | 2 | 742 | 21510 | 16 |
| 722 | 727 | 20 | 742 | 1762 | 2 | 742 | 21511a | 16 |
| 722 | 728 | 20,43 | 742 | 1778 | 2 | 742 | 21514 | 16 |
| 722 | 735 | 2 | 742 | 1782 | 2 | 742 | 21517 | 16 |
| 722 | 758 | 28 | 742 | 1788 | 2 | 742 | 21522 | 16 |
| 722 | 835 | 20 | 742 | 1792 | 2 | 742 | 21523 | 16 |
| 722 | 871 | 43 | 742 | 1813 | 2 | 742 | 21528 | 15 |
| 722 | 912 | 20 | 742 | 1823 | 2 | 742 | 21547 | 15 |
| 722 | 913 | 43 | 742 | 1896 | 41 | 742 | 21556 | 15 |
| 722 | 918a | 43 | 742 | 1907 | 22 | 742 | 21571 | 15 |
| 722 | 929 | 20 | 742 | 1908 | 22 | 742 | 21574 | 10,15,29,41 |
| 722 | 929a | 43 | 742 | 1912 | 28 | 742 | 21623 | 3,45 |
| 722 | 932 | 20 | 742 | 1917 | 22 | 742 | 21652 | 15 |
| 722 | 932a | 43 | 742 | 2036 | 9 | 742 | 21653 | 15 |
| 722 | 1139 | 31 | 742 | 2036 | 13 | 742 | 21656 | 15 |
| 722 | 1361 | 20 | 742 | 2161 | 2 | 742 | 21671 | 15 |
| 722 | 1514 | 20 | 742 | 2244 | 34 | 742 | 21678 | 15 |
| 722 | 3026 | 20 | 742 | 2699 | 17 | 742 | 21722 | 15 |
| 722 | 3031 | 20 | 742 | 3023 | 15 | 742 | 21734 | 2,15,40,43 |
| 722 | 3042 | 20 | 742 | 3255 | 15 | 742 | 21777 | 15 |
| 722 | 3067 | 20 | 742 | 5027 | 1,43 | 742 | 21791 | 15 |
| 722 | 3074 | 20 | 742 | 5098 | 3,4,15,17,36,39 | 742 | 21801 | 15 |
| 722 | 3094 | 20 | 742 | 5102 | 1,39 | 742 | 21996 | 43 |
| 725 | 497 | 1,39 | 742 | 5102 | 1,39 | 742 | 40012 | 1 |
| 725 | 520b | 1,2,15,39 | 742 | 5110 | 1,39 | 742 | 40032 | 1 |
| 739 | 188 | 29 | 742 | 5110a | 1,39 | 742 | 40052 | 1 |
| 739 | 225 | 3,14,17 | 742 | 5144 | 1 | 742 | 40082 | 1 |
| 739 | 255 | 17,45 | 742 | 5568 | 2 | 742 | 40083 | 1 |
| 739 | 297 | 15,16,17,42,45 | 742 | 6076 | 40 | 742 | 40084 | 1 |
| 739 | 298 | 12 | 742 | 6086 | 8 | 742 | 40092 | 1 |
| 739 | 311 | 24 | 742 | 6228 | 8 | 742 | 40121 | 1,39 |
| 739 | 328 | 24 | 742 | 6318 | 10 | 742 | 40161 | 1 |
| 739 | 347 | 32 | 742 | 6320 | 10 | 742 | 40188 | 1 |
| 739 | 392 | 20 | 742 | 6332 | 43 | 742 | 40241 | 1 |
| 739 | 582 | 10 | 742 | 6431 | 2,5,9,30,31,35 | 742 | 40277 | 1,17,39 |
| 739 | 595 | 42 | 742 | 6432 | 10 | 742 | 40291 | 1 |
| 739 | 878 | 2,4,10,15,29,41 | 742 | 6432 | 10 | 742 | 40295 | 1 |
| 739 | 1100 | 5 | 742 | 6433 | 5 | 742 | 40296 | 1 |
| 739 | 1170a | 8 | 742 | 21414 | 16 | 742 | 40297 | 1,39 |
| 739 | 5010 | 2 | 742 | 21421 | 16 | 742 | 40298 | 1 |
| 739 | 5012 | 9 | 742 | 21427 | 16 | 742 | 40300 | 1 |
| 739 | 5347 | 10,36 | 742 | 21431 | 16 | 742 | 40302 | 1 |
| 739 | 15008 | 30 | 742 | 21432 | 16 | 742 | 40303 | 1 |
| 741 | 290 | 40 | 742 | 21432 | 16 | 742 | 40365 | 2 |
| 741 | 295 | 10,30 | 742 | 21438 | 16 | 742 | 40391 | 2 |
| 741 | 346 | 33 | 742 | 21439 | 16 | 742 | 40436 | 2 |
| 741 | 2600 | 25 | 742 | 21441a | 16 | 742 | 40443 | 2 |
| 742 | 921 | 36 | 742 | 21445a | 16 | 742 | 40532 | 2 |
| 742 | 1535 | 14 | 742 | 21447 | 40 | 742 | 40542 | 2 |
| | | | 742 | 21448 | 16 | 742 | 40551 | 2 |

Best.-Nr. Tafel

742 40552 2,43
742 40623 2
742 40645 2
742 40657 2
742 40664 2
742 40694 2
742 40698 2
742 40712 2
742 40742 1
742 40758 4
742 40764 4
742 40766 4
742 40797 4
742 40801 4
742 40815 3,14,17,45
742 40824 3,14,17,45
742 40831 3
742 40841 3
742 40849 3
742 40857 3
742 40866 3
742 40916 8
742 40917 8
742 40918 8
742 40961 8
742 40963 8

742 41142 36
742 41149 36
742 41175 36
742 41201 36
742 41207 36
742 41209 36
742 41322 6
742 41325 6
742 41326 6
742 41330 6
742 41333 6
742 41342 6
742 41349 6,9
742 41357 6
742 41382 6
742 41385 6
742 41386 6
742 41387 6
742 41388 6
742 41392 6
742 41397 6
742 41404 6
742 41406 6
742 41412 6
742 41414 6
742 41415 6
742 41415a 6
742 41418 6
742 41421 6
742 41501 6
742 41503 6

Best.-Nr. Tafel

742 41513 6
742 41515 6
742 41516 6
742 41517 6,40
742 41521 6
742 41524 11
742 41530 6
742 41532 6,40
742 41533 6,40
742 41535 6
742 41536 6
742 41545 6
742 41546 6
742 41547 6
742 41551 6,40
742 41555 6
742 41561 6
742 41655 5
742 41677 5
742 41679 5
742 41706 5
742 41713 5
742 41723 5
742 41731 5
742 41738 5
742 41743 5
742 41753 5
742 41758 5
742 41761 5
742 41762 5
742 41791 5
742 41792 5
742 41795 5
742 41797 5
742 41799 5,30,31
742 41800 5
742 41804 5
742 41805 5
742 41807 5
742 41822 5
742 41827 5
742 41873 5
742 41883 5
742 41884 5
742 41888 5
742 41896 5
742 41897 5
742 41912 5
742 41914 5
742 41922 5
742 41933 5
742 41935 5
742 41937 5
742 41942 5
742 41962 5
742 42081 5
742 42089 5
742 42092 5

Best.-Nr. Tafel

742 42122 5
742 42124a 5
742 42131 5
742 42132 5
742 42150 5
742 42175 7
742 42208 5,7
742 42220 5
742 42252 7
742 42272 7
742 42277 7
742 42292 6
742 42333 8
742 42343 8
742 42346 8
742 42372 8
742 42374 8
742 42381 8
742 42382 8
742 42494 10
742 42498a 10
742 42509 10
742 42513 10
742 42531 10
742 42537 10
742 42545 10
742 42563 10
742 42567 10
742 42587 9
742 42598 9
742 42603 9
742 42604 9
742 42606 9
742 42608 9,42
742 42609 9
742 42610 9
742 42611 9
742 42612a 9
742 42613 9
742 42616a 9
742 42617a 9
742 42635a 9
742 42636 9
742 42640a 9
742 42647 9
742 42651 9
742 42655 9
742 42658 9
742 42661 9
742 42663 9
742 42665 9
742 42669 9
742 42671 9
742 42673 9
742 42732 9
742 42734a 9
742 42735a 9
742 42736a 9

| Best.-Nr. | Tafel |
|------------|-------|
| 742 42743 | 9 |
| 742 42744 | 9 |
| 742 42746a | 9 |
| 742 42762a | 9 |
| 742 42767 | 9 |
| 742 42852a | 9 |
| 742 42857 | 9 |
| 742 42863 | 11 |
| 742 42864a | 11 |
| 742 42870 | 11 |
| 742 42874a | 11,12 |
| 742 42875a | 11,12 |
| 742 42877 | 11,12 |
| 742 42878 | 11,12 |
| 742 42879 | 11,12 |
| 742 42881a | 11 |
| 742 42889 | 10 |
| 742 42902 | 9 |
| 742 42914a | 9 |
| 742 42918 | 9 |
| 742 42964 | 11 |
| 742 42966 | 11 |
| 742 42971 | 11 |
| 742 43002 | 11 |
| 742 43003 | 11 |
| 742 43013 | 11 |
| 742 43028 | 11 |
| 742 43032 | 11 |
| 742 43052 | 11 |
| 742 43056 | 11 |
| 742 43061 | 11 |
| 742 43162 | 12 |
| 742 43177 | 12 |
| 742 43181 | 12 |
| 742 43183 | 12,39 |
| 742 43192 | 12 |
| 742 43212 | 12 |
| 742 43213 | 12 |
| 742 43218 | 12 |
| 742 43219 | 12 |
| 742 43233 | 12 |
| 742 43236a | 12 |
| 742 43238 | 12 |
| 742 43247 | 12 |
| 742 43272 | 12 |
| 742 43274 | 12 |
| 742 43287 | 12 |
| 742 43288 | 12 |
| 742 43312 | 13 |
| 742 43323 | 13 |
| 742 43332 | 13 |
| 742 43335a | 13 |
| 742 43337a | 13 |
| 742 43362 | 13 |
| 742 43373 | 13 |
| 742 43382 | 13 |
| 742 43383 | 13 |
| 742 43388 | 13 |

| Best.-Nr. | Tafel |
|-----------|---------|
| 742 43394 | 13 |
| 742 43396 | 13 |
| 742 43412 | 13 |
| 742 43421 | 13 |
| 742 43426 | 13 |
| 742 43431 | 13 |
| 742 43432 | 13 |
| 742 43441 | 13 |
| 742 43614 | 14 |
| 742 43616 | 14 |
| 742 43683 | 14 |
| 742 43711 | 14 |
| 742 43724 | 14 |
| 742 43727 | 14 |
| 742 43731 | 14 |
| 742 43738 | 14 |
| 742 43748 | 14 |
| 742 43752 | 14 |
| 742 43760 | 14 |
| 742 43762 | 14 |
| 742 43857 | 14 |
| 742 43871 | 14 |
| 742 43872 | 14 |
| 742 43874 | 14 |
| 742 44106 | 15 |
| 742 44108 | 15 |
| 742 44113 | 15 |
| 742 44155 | 15 |
| 742 44233 | 15 |
| 742 44272 | 16 |
| 742 44301 | 16 |
| 742 44392 | 17 |
| 742 44395 | 17 |
| 742 44403 | 17 |
| 742 44421 | 17 |
| 742 44462 | 15 |
| 742 44482 | 15 |
| 742 44485 | 15 |
| 742 44490 | 15 |
| 742 44503 | 15 |
| 742 44517 | 15 |
| 742 44553 | 15 |
| 742 44558 | 15 |
| 742 44586 | 15 |
| 742 44644 | 3,17,45 |
| 742 44694 | 45 |
| 742 44722 | 15 |
| 742 44727 | 15 |
| 742 44733 | 15 |
| 742 44944 | 19 |
| 742 44945 | 19 |
| 742 44946 | 19 |
| 742 44962 | 20 |
| 742 44978 | 20 |
| 742 44980 | 20 |
| 742 44986 | 20 |
| 742 44989 | 20 |
| 742 45006 | 20 |

| Best.-Nr. | Tafel |
|-----------|---------|
| 742 45011 | 9,11,43 |
| 742 45028 | 20 |
| 742 45032 | 20,43 |
| 742 45036 | 20 |
| 742 45040 | 20 |
| 742 46111 | 18 |
| 742 46121 | 23 |
| 742 46161 | 26 |
| 742 46165 | 26 |
| 742 46171 | 26 |
| 742 46185 | 25 |
| 742 46502 | 21 |
| 742 46505 | 21 |
| 742 46508 | 21 |
| 742 46512 | 21 |
| 742 46514 | 21 |
| 742 46520 | 21 |
| 742 46522 | 21,22 |
| 742 46533 | 21 |
| 742 46541 | 21 |
| 742 46553 | 21 |
| 742 46554 | 21 |
| 742 46595 | 21 |
| 742 46599 | 21 |
| 742 46601 | 21 |
| 742 46602 | 21 |
| 742 46605 | 21 |
| 742 46643 | 21 |
| 742 46656 | 21 |
| 742 46662 | 21 |
| 742 46664 | 21 |
| 742 46669 | 21 |
| 742 46692 | 21 |
| 742 46695 | 21 |
| 742 46696 | 21 |
| 742 46699 | 21 |
| 742 46712 | 21 |
| 742 46731 | 21 |
| 742 46733 | 12 |
| 742 46735 | 21 |
| 742 46739 | 21 |
| 742 46741 | 21 |
| 742 46744 | 21 |
| 742 46753 | 21 |
| 742 46755 | 21 |
| 742 46756 | 21 |
| 742 46921 | 22 |
| 742 46924 | 22 |
| 742 46926 | 22 |
| 742 46929 | 22 |
| 742 46931 | 22 |
| 742 46934 | 22 |
| 742 46936 | 22 |
| 742 46939 | 22 |
| 742 46942 | 22 |
| 742 46943 | 22 |
| 742 47202 | 22 |
| 742 47206 | 22,46 |

| Best.-Nr. | Tafel |
|-----------|-------|
| 742 47208 | 22 |
| 742 47212 | 22 |
| 742 47213 | 22,46 |
| 742 47217 | 22 |
| 742 47220 | 22 |
| 742 47221 | 22 |
| 742 47232 | 22 |
| 742 47249 | 22 |
| 742 47250 | 22 |
| 742 47252 | 22 |
| 742 47292 | 22 |
| 742 47296 | 22 |
| 742 47299 | 22 |
| 742 47303 | 22 |
| 742 47312 | 22 |
| 742 47318 | 22 |
| 742 47319 | 22 |
| 742 47321 | 22 |
| 742 47372 | 22 |
| 742 47376 | 22 |
| 742 47377 | 22 |
| 742 47382 | 22 |
| 742 47385 | 22 |
| 742 52071 | 39 |
| 742 52142 | 39 |
| 742 52161 | 39 |
| 742 52253 | 40 |
| 742 52256 | 40 |
| 742 52258 | 40 |
| 742 52264 | 40 |
| 742 52275 | 40 |
| 742 52276 | 40 |
| 742 52277 | 40 |
| 742 52302 | 40 |
| 742 52304 | 40 |
| 742 52306 | 40 |
| 742 52307 | 40 |
| 742 52312 | 40 |
| 742 52326 | 40 |
| 742 52352 | 40 |
| 742 52358 | 40 |
| 742 52365 | 40 |
| 742 52371 | 40 |
| 742 52392 | 40 |
| 742 52404 | 40 |
| 742 52407 | 40 |
| 742 52408 | 40 |
| 742 52411 | 40 |
| 742 52415 | 40 |
| 742 52418 | 40 |
| 742 52481 | 40 |
| 742 52482 | 40 |
| 742 52483 | 40 |
| 742 52502 | 43 |
| 742 52503 | 43 |
| 742 52506 | 43 |
| 742 52508 | 43 |
| 742 52509 | 43 |

| Best.-Nr. | Tafel |
|-----------|-------|
| 742 52513 | 43 |
| 742 52515 | 43 |
| 742 52517 | 43 |
| 742 52523 | 39 |
| 742 52615 | 45 |
| 742 52642 | 45 |
| 742 52652 | 45 |
| 742 52761 | 43 |
| 742 52782 | 43 |
| 742 52814 | 43 |
| 742 52903 | 39,43 |
| 742 52918 | 43 |
| 742 52922 | 39 |
| 742 52935 | 39 |
| 742 52963 | 43 |
| 742 52975 | 43 |
| 742 52994 | 43 |
| 742 52998 | 43 |
| 742 53022 | 43 |
| 742 53063 | 43 |
| 742 53172 | 41 |
| 742 53175 | 41 |
| 742 53178 | 41 |
| 742 53181 | 41 |
| 742 53183 | 41 |
| 742 53222 | 41 |
| 742 53223 | 41 |
| 742 53237 | 41 |
| 742 53244 | 41 |
| 742 53245 | 41 |
| 742 53246 | 41 |
| 742 53302 | 41 |
| 742 53312 | 41 |
| 742 53314 | 41 |
| 742 53343 | 41 |
| 742 53347 | 41 |
| 742 53362 | 41 |
| 742 53367 | 41 |
| 742 53374 | 41 |
| 742 53378 | 41 |
| 742 53382 | 41 |
| 742 53412 | 41 |
| 742 53426 | 41 |
| 742 53432 | 41 |
| 742 53542 | 39 |
| 742 53552 | 39 |
| 742 53559 | 39 |
| 742 53592 | 39 |
| 742 53692 | 39 |
| 742 53707 | 39 |
| 742 53709 | 39 |
| 742 53734 | 39 |
| 742 53792 | 39 |
| 742 55055 | 46 |
| 742 55057 | 42 |
| 742 55065 | 42 |
| 742 55074 | 39 |
| 742 55098 | 46 |

| Best.-Nr. | Tafel |
|-----------|------------------------|
| 742 55112 | 46 |
| 742 55232 | 42 |
| 742 55241 | 42 |
| 742 55244 | 42 |
| 742 55247 | 42 |
| 742 55305 | 42 |
| 742 55308 | 42 |
| 742 55311 | 42 |
| 742 55332 | 42 |
| 742 55333 | 42 |
| 742 55338 | 42 |
| 742 55339 | 42 |
| 742 55342 | 42 |
| 742 55343 | 42 |
| 742 55346 | 42 |
| 742 55350 | 42 |
| 742 55355 | 42 |
| 742 55447 | 41 |
| 742 55705 | 39 |
| 742 55716 | 39 |
| 742 55721 | 39 |
| 742 55802 | 43 |
| 742 55806 | 43 |
| 742 55831 | 8 |
| 742 55861 | 8 |
| 744 1013 | 15 |
| 744 1017 | 3,4,15,17,36,39 |
| 744 1107 | 15,39 |
| 744 1115 | 3,17,39,43 |
| 744 1131 | 1,8,15,39 |
| 744 1185 | 8 |
| 744 1236 | 27,34 |
| 744 1339 | 1,10 |
| 744 1370 | 43 |
| 744 1426 | 6 |
| 744 1509 | 9,10,11,17,21,31,33,43 |
| 744 1524 | 2 |
| 744 1658 | 1,43 |
| 744 1793a | 18 |
| 744 1816 | 8 |
| 744 1820 | 2,15 |
| 744 1868 | 20,43 |
| 744 1968 | 5,6,9,18,29,31,43 |
| 744 2088 | 17 |

| Best.-Nr. | Tafel |
|-----------|--|
| 744 | 2094 1 |
| 744 | 2207 5,7,14 |
| 744 | 2208 4,28 |
| 744 | 2229 12 |
| 744 | 2380 29 |
| 744 | 3142 5,9,13,15,40,43 |
| 744 | 3545 1,9 |
| 744 | 3572 44 |
| 744 | 9946 27 |
| 744 | 12819 1,29,35,42 |
| 744 | 12820 29 |
| 744 | 20214 41 |
| 744 | 20766 21,41 |
| 744 | 20778 33 |
| 744 | 20786 28 |
| 744 | 21695 16 |
| 744 | 22347 2 |
| 744 | 22395 15 |
| 744 | 23556 2,6,10,13,15,40 |
| 744 | 23566 2,15,43 |
| 744 | 23855 14 |
| 744 | 23873 21 |
| 744 | 23879 21 |
| 744 | 23949 21 |
| 744 | 23959 25 |
| 744 | 23964 26 |
| 744 | 24131 4 |
| 744 | 24132 4,8,40 |
| 744 | 24293 24 |
| 744 | 24356 14 |
| 744 | 24518 14 |
| 744 | 25164 34 |
| 744 | 27748 15 |
| 744 | 50241 36 |
| 744 | 50242 36 |
| 744 | 50243 1,5,6,16,20,21,31,33,36,42 |
| 744 | 50244 5,6,8,9,10,12,13,16,17,21,29,30,31,33,36 |
| 744 | 50309 36 |
| 744 | 50344 21,45 |
| 744 | 50532 24,25 |
| 744 | 50538 24 |
| 744 | 60788 10 |
| 744 | 61117 24,26 |
| 744 | 61153 24 |
| 746 | 56 1 |
| 746 | 265 1,39 |
| 746 | 641 15 |

| Best.-Nr. | Tafel |
|-----------|---|
| 746 | 656 2 |
| 746 | 657 2,5 |
| 746 | 657a 5 |
| 746 | 658 2,5 |
| 746 | 659 2,5 |
| 746 | 768 5,9,16,31,34,43 |
| 746 | 826 9 |
| 746 | 847 10 |
| 746 | 879 5,8,9,14,16,20,33,34,42 |
| 746 | 987a 43 |
| 746 | 1033 5,7,9,10,12,20,21,22,29,30,31,32,34,46 |
| 746 | 1212 17,18,21 |
| 746 | 1431 43 |
| 746 | 1507 34 |
| 746 | 1547 6,13 |
| 746 | 2208 16 |
| 746 | 2705 36 |
| 746 | 3213 4 |
| 746 | 3216 4 |
| 746 | 3217 4 |
| 746 | 3259 4 |
| 746 | 4849 36 |
| 746 | 5018 3,5,14,17,45 |
| 746 | 5019 3,5,14 |
| 746 | 5020 3,5,14,17,45 |
| 746 | 10087 29 |
| 746 | 10907 21 |
| 746 | 11358 31 |
| 746 | 11448 12,33 |
| 746 | 11630 2 |
| 746 | 11858 8,14 |
| 746 | 50564 40 |
| 746 | 50985 9 |
| 746 | 60734 4 |
| 746 | 60743 4 |
| 746 | 90312 33 |
| 791 | 1081 7 |
| 791 | 1085 7 |
| 791 | 1086 7 |
| 791 | 1091 7 |
| 791 | 1094 7 |
| 791 | 1095 7 |
| 791 | 1096 7 |
| 792 | 6061 28 |
| 792 | 7234 42 |
| 792 | 22001 19 |
| 792 | 22003 19 |
| 793 | 316 6 |
| 793 | 2764 22,46 |
| 793 | 66983 46 |
| 793 | 68394 17 |
| 793 | 68395 17 |
| 793 | 68404 17 |
| 793 | 68472 17 |

| Best.-Nr. | Tafel |
|-----------|----------------------------|
| 793 | 71001 19 |
| 794 | 123 17 |
| 797 | 8 13 |
| 797 | 20 17 |
| 797 | 143 17 |
| 797 | 319 29 |
| 797 | 406 10 |
| 797 | 409 15,40,43 |
| 797 | 411 5,30 |
| 797 | 412 9,20,32 |
| 797 | 413 8,34,43 |
| 797 | 1305 34 |
| 797 | 1521 8 |
| 797 | 2016 5,9,13,16,29,32,35,42 |
| 797 | 2214 44 |
| 797 | 2242 8 |
| 797 | 2252 29 |
| 797 | 2313 32 |
| 797 | 2605 2,15 |
| 797 | 3016 29 |
| 797 | 3194 17 |
| 798 | 386 21 |
| 798 | 497 20 |
| 798 | 607 3 |
| 798 | 792 21 |
| 798 | 794 3,20,21,28 |
| 798 | 795 3,5,6,9,20,21,22,29 |
| 798 | 796 1,5,21,40 |
| 798 | 1606 21,35 |
| 798 | 42403 45 |

| Best.-Nr. | Tafel | Best.-Nr. | Tafel | Best.-Nr. | Tafel |
|-----------|---|-----------|-----------|-----------|----------------|
| 798120225 | 1 | 913 | 359 32 | 933 | 1575 35 |
| 798120505 | 11,12 | 913 | 629 34,42 | 933 | 2006 32 |
| 798163601 | 25 | 914 | 315 33 | 933 | 5660 41 |
| 798163602 | 23 | 914 | 330 6,22 | 933 | 5725 43 |
| 798166509 | 26 | 931 | 1961 27 | 933 | 9478 17 |
| 798167004 | 26 | 931 | 1962 27 | 933 | 10848 16 |
| 798180001 | 24 | 931 | 1963 27 | 933 | 10868 43 |
| 798180031 | 26 | 931 | 1980 27 | 933 | 11296 31,35,39 |
| 798202502 | 3,17,45 | 931 | 1982a 27 | 933 | 11327 5 |
| 798202503 | 14 | 931 | 1985 27 | 933 | 11424 3,45 |
| 798221002 | 14 | 931 | 1987 27 | 933 | 11517 18 |
| 798221022 | 17 | 931 | 2130 21 | | |
| 798280091 | 35 | 933 | 28 27 | 933 | 20024 8 |
| 798280201 | 35 | 933 | 29b 27 | 933 | 20030 27 |
| 798283091 | 35 | 933 | 40a 27 | 933 | 21228 40 |
| 798421408 | 26 | 933 | 75 27 | 933 | 22524 34 |
| 798422411 | 21,23 | 933 | 105 27 | 933 | 22527 34 |
| 798422412 | 21,23 | 933 | 156 32 | 933 | 22531 34 |
| 798422413 | 21,23 | 933 | 182 32 | 933 | 22537 34 |
| 798422414 | 25 | 933 | 196 32 | 933 | 22545 34 |
| 798424202 | 21,45 | 933 | 237 32 | 933 | 22552 34 |
| 798460371 | 18,24 | 933 | 238 32 | 933 | 22557 34 |
| 798481652 | 14 | 933 | 241k 32 | 933 | 22562 34 |
| 798481653 | 14 | 933 | 243 32 | 933 | 22564 34 |
| 798481655 | 3,14,45 | 933 | 251 32 | 933 | 22567 34,46 |
| 798481656 | 14 | 933 | 273 27 | 933 | 41241 35 |
| 798481662 | 14 | 933 | 275 27 | 933 | 63984 16 |
| 798481663 | 3,45 | 933 | 282k 27 | 933 | 70175 4,5,31 |
| 798481664 | 14 | 933 | 284a 27 | 933 | 74261 32 |
| 798481665 | 3,45 | 933 | 287 27 | 933 | 74515 27 |
| 798483112 | 24,26 | 933 | 288 34 | 933 | 75463 35 |
| 798483201 | 25 | 933 | 294 34 | 933 | 75464 35 |
| 798500443 | 36 | 933 | 300k 34 | 933 | 75468 35 |
| 798789004 | 35 | 933 | 301 34 | 933 | 78007a 27 |
| 902 | 97 39 | 933 | 307 34 | 933 | 78008 27 |
| 902 | 131 27 | 933 | 308 34 | 933 | 78010 27 |
| 902 | 140 31 | 933 | 309 34 | 933 | 78012 27 |
| 902 | 300 29 | 933 | 311 34 | 933 | 78014 27 |
| 902 | 380 5,6,40 | 933 | 312 34 | 933 | 78018 27 |
| 902 | 514 12 | 933 | 314 34 | 933 | 78020 27 |
| 902 | 729 34 | 933 | 318k 34 | 933 | 78022 27 |
| 911 | 15 35 | 933 | 324 6,34 | 933 | 78032 27 |
| 911 | 92 34 | 933 | 335 34 | 933 | 78051 27 |
| 911 | 267 1,3,5,6,7,13,14,17, 21,30,36,39,45 | 933 | 337a 34 | 933 | 78082 27 |
| 911 | 320 32 | 933 | 344a 27 | 933 | 78096 27 |
| 911 | 339 22 | 933 | 348 27 | 933 | 78098 27 |
| 911 | 350 32 | 933 | 352 12 | 933 | 78143 28 |
| 911 | 352 32 | 933 | 355 27 | 933 | 78146 28 |
| 911 | 353 32 | 933 | 359 27 | 933 | 78151 28 |
| 911 | 376 15 | 933 | 360 27 | 933 | 78162 28 |
| 911 | 415 1,39 | 933 | 361 27 | 933 | 78172 28 |
| 911 | 442 2,5 | 933 | 561 32 | 933 | 78179 28 |
| 911 | 478 27 | 933 | 616 34 | 933 | 78192 28 |
| 911 | 514 29 | 933 | 744 18 | 933 | 78212 28 |
| 911 | 695 17 | 933 | 1503 27 | 933 | 78218 28 |
| 911 | 709 3,14,17,45 | 933 | 1533 35 | 933 | 78221 28 |
| 913 | 358 32 | 933 | 1564 35 | 933 | 78222 28 |
| | | 933 | 1572 35 | 933 | 78252 28 |

| Best.-Nr. | Tafel |
|-----------|-------|
| 933 78254 | 28 |
| 933 78273 | 28 |
| 933 78280 | 28 |
| 933 78373 | 29 |
| 933 78382 | 29 |
| 933 78482 | 29 |
| 933 78483 | 29 |
| 933 78490 | 29 |
| 933 78494 | 29 |
| 933 78502 | 29 |
| 933 78516 | 27 |
| 933 78517 | 27 |
| 933 78522 | 29 |
| 933 78528 | 29 |
| 933 78532 | 29 |
| 933 78535 | 29 |
| 933 78593 | 29 |
| 933 78605 | 29 |
| 933 78606 | 29 |
| 933 78611 | 30 |
| 933 78621 | 30 |
| 933 78626 | 30 |
| 933 78631 | 30 |
| 933 78632 | 30 |
| 933 78638 | 30 |
| 933 78639 | 30 |
| 933 78642 | 30 |
| 933 78882 | 30 |
| 933 78883 | 30 |
| 933 78887 | 30 |
| 933 78888 | 30 |
| 933 78889 | 30 |
| 933 78890 | 30 |
| 933 78892 | 30 |
| 933 78895 | 30 |
| 933 78902 | 30,34 |
| 933 78906 | 30 |
| 933 78909 | 9,30 |
| 933 78921 | 30 |
| 933 78925 | 30 |
| 933 78928 | 30 |
| 933 78929 | 30 |
| 933 78930 | 30 |
| 933 78932 | 30 |
| 933 78936 | 30 |
| 933 78945 | 30 |
| 933 78949 | 30 |
| 933 78952 | 29 |
| 933 78958 | 29 |
| 933 78962 | 29 |
| 933 78993 | 31 |
| 933 78995 | 31 |
| 933 78998 | 31 |
| 933 78999 | 31 |
| 933 79012 | 31 |
| 933 79016 | 31 |
| 933 79073 | 31 |
| 933 79092 | 31 |

| Best.-Nr. | Tafel |
|-----------|-------|
| 933 79095 | 31 |
| 933 79101 | 31 |
| 933 79110 | 31 |
| 933 79122 | 31,42 |
| 933 79123 | 31,42 |
| 933 79124 | 31,42 |
| 933 79142 | 31 |
| 933 79144 | 31 |
| 933 79150 | 31 |
| 933 79152 | 31 |
| 933 79156 | 31 |
| 933 79169 | 31 |
| 933 79182 | 31 |
| 933 79186 | 31 |
| 933 79189 | 31 |
| 933 79201 | 31 |
| 933 79211 | 31 |
| 933 79214 | 31 |
| 933 79232 | 31 |
| 933 79245 | 31 |
| 933 79246 | 31 |
| 933 79252 | 32 |
| 933 79272 | 32 |
| 933 79274 | 32 |
| 933 79282 | 32 |
| 933 79285 | 32 |
| 933 79286 | 32 |
| 933 79288 | 32 |
| 933 79289 | 32 |
| 933 79290 | 32 |
| 933 79513 | 35 |
| 933 79518 | 35 |
| 933 79542 | 34 |
| 933 79552 | 34 |
| 933 79572 | 34 |
| 933 79574 | 34 |
| 933 79602 | 34 |
| 933 79632 | 34 |
| 933 79637 | 34 |
| 933 79642 | 34 |
| 933 79645 | 34 |
| 933 79648 | 34 |
| 933 79652 | 34 |
| 933 79692 | 34 |
| 933 79751 | 34 |
| 933 79752 | 34 |
| 933 79761 | 34 |
| 933 79773 | 34 |
| 933 79777 | 34 |
| 933 79778 | 34 |
| 933 79786 | 34 |
| 933 79842 | 34 |
| 933 79857 | 34 |
| 933 79882 | 34 |
| 933 79903 | 35 |
| 933 79908 | 35 |
| 933 79916 | 35 |
| 933 80016 | 33 |

| Best.-Nr. | Tafel |
|-----------|-------------|
| 933 80022 | 33 |
| 933 80031 | 33 |
| 933 80035 | 33 |
| 933 80036 | 33 |
| 933 80063 | 33 |
| 933 80074 | 33 |
| 933 80084 | 33 |
| 933 80087 | 33 |
| 933 80107 | 33 |
| 933 80113 | 33 |
| 933 80114 | 33 |
| 933 80115 | 33 |
| 933 80118 | 33 |
| 933 80132 | 33 |
| 933 80141 | 33 |
| 933 80143 | 33 |
| 933 80152 | 33 |
| 933 80153 | 33 |
| 933 80155 | 33 |
| 933 80156 | 33 |
| 933 80192 | 18 |
| 933 80194 | 18 |
| 933 80200 | 18 |
| 933 80203 | 18 |
| 933 80207 | 18 |
| 933 80209 | 18 |
| 933 80211 | 18 |
| 933 80218 | 18 |
| 933 80221 | 18 |
| 933 80230 | 19 |
| 935 410 | 28 |
| 935 4993 | 34 |
| 935 4996 | 34 |
| 935 5401 | 19 |
| 935 5403 | 19 |
| 936 46 | 20,31 |
| 939 2431 | 27 |
| 939 2454 | 27 |
| 939 2459 | 27 |
| 939 2461 | 35 |
| 939 2464 | 35 |
| 939 2500 | 16 |
| 939 10071 | 12,21 |
| 942 271 | 27 |
| 942 4586 | 34 |
| 942 4689 | 27 |
| 942 10318 | 14,21 |
| 943 57 | 6 |
| 965 527 | 34 |
| 1001 360 | 34 |
| 1001 1153 | 40 |
| 1001 9128 | 2,21 |
| 1001 9129 | 5 |
| 1001 9130 | 15,21,35,45 |
| 1001 9148 | 29 |
| 1001 9150 | 13 |
| 1001 9162 | 10,45 |
| 1001 9236 | 28 |

Best.-Nr. Tafel

1001 9247 2

1005 233 15,17,22,34,45,46

9300 2119 5