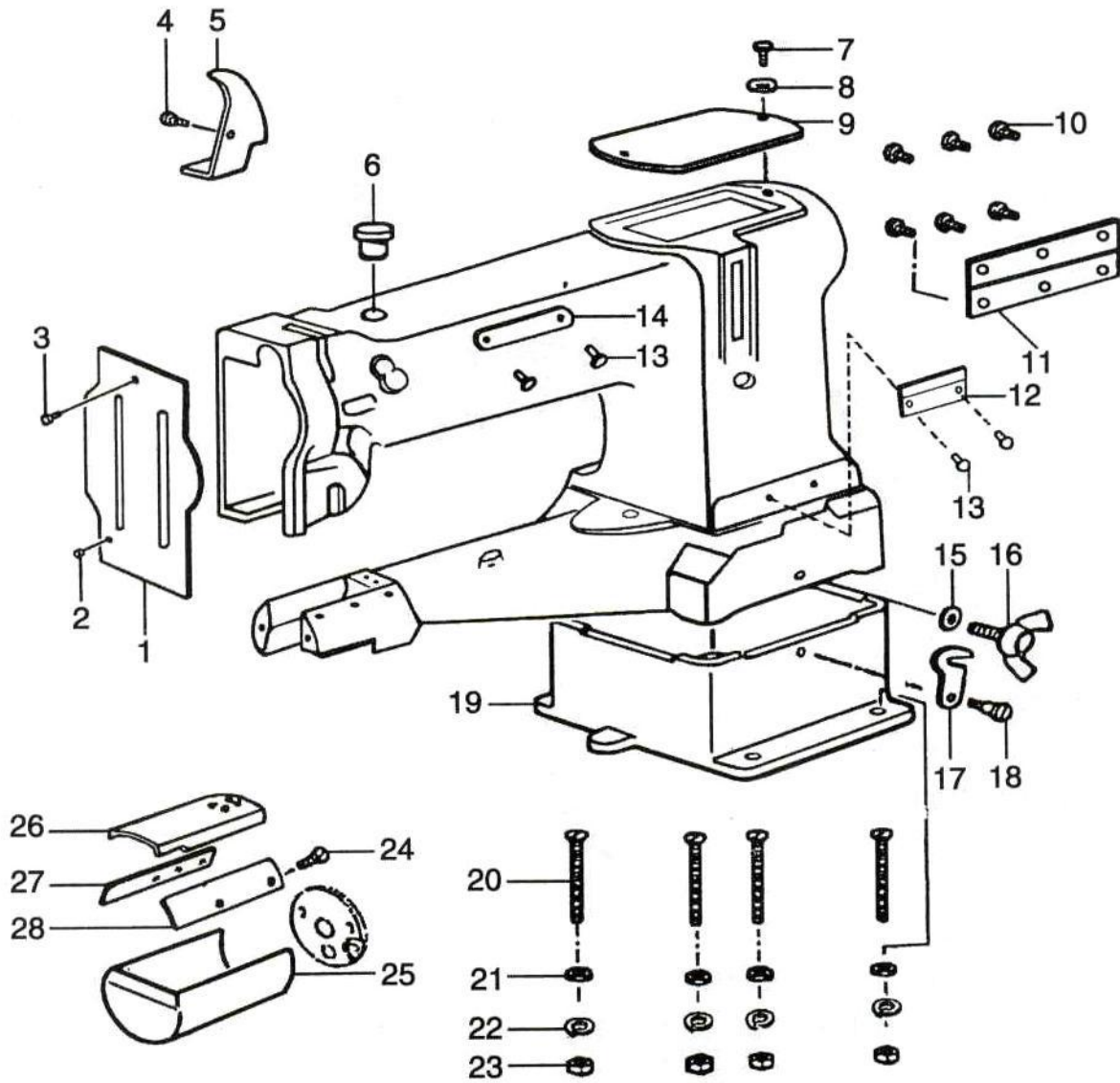


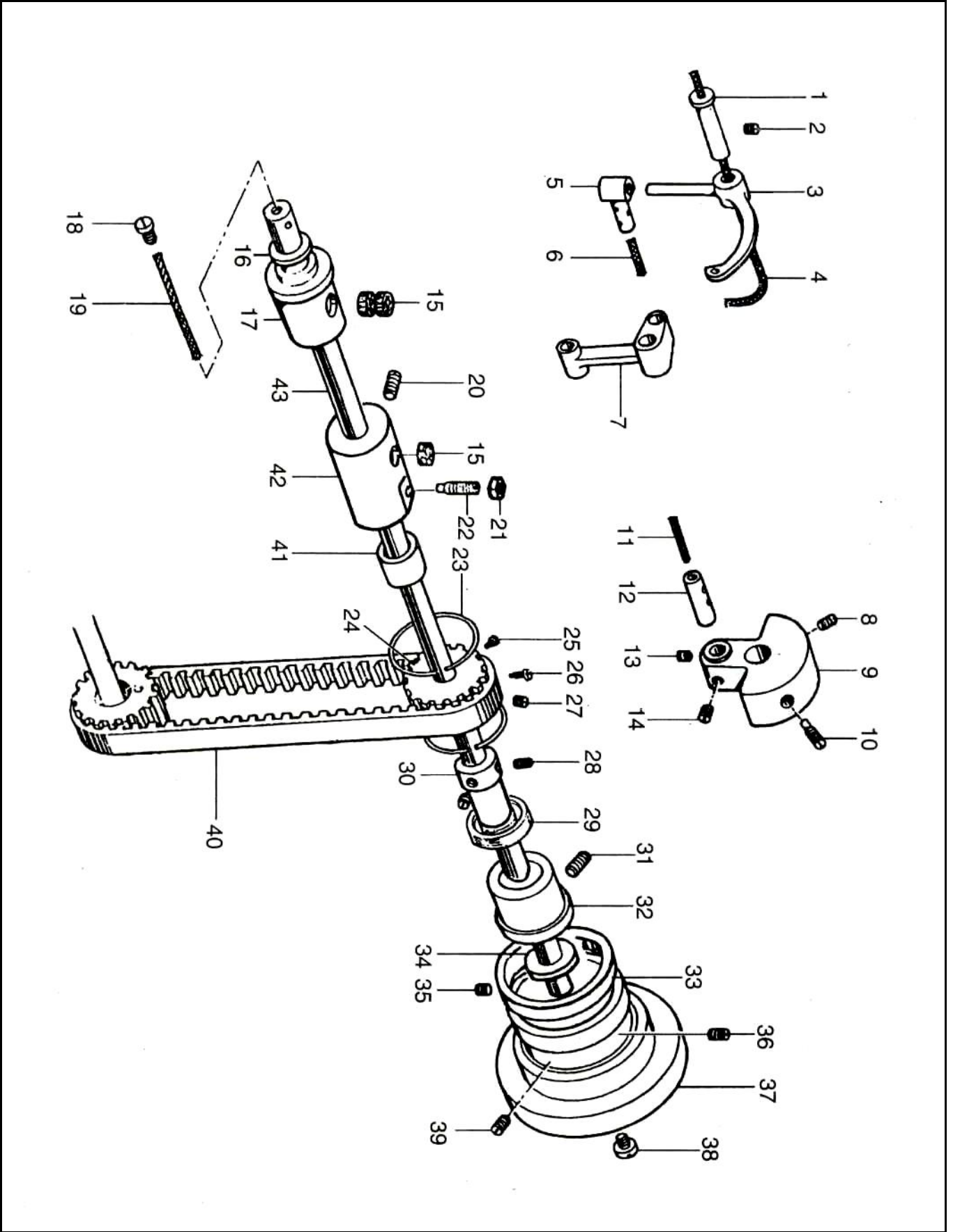
1.



## 1. Arm

No.	Name	Part number	Qt.
1	Face plate	22WF2-007	1
2	Face plate pin	16WF2-010	1
3	Screw	16WF2-009	1
4	Screw	16WF1-059	1
5	Oil retaining plate	16WF2-038	1
6	Rubber plug	16WF2-003	1
7	Screw	16WF2-022	1
8	Washer	16WF2-023	1
9	Upper cover	16WF2-021	1
10	Screw	22WF2-004	6
11	Hinge	37T4-004	1
12	Mark	22WF2-005	1
13	Nail		1
14	Trade mark	16WF2-053	1
15	Washer	37T4-411	1
16	Screw complete	22WF2-006	1
17	Connector	37T4-409	1
18	Screw	22WF2-020	6
19	Base bed	22WF2-003	1
20	Screw		4
21	Washer		4
22	Spring washer		4
23	Hexagonal nut		4
24	Screw	22WF2-013	4
25	Safety ring	22WF2-014	1
26	Sliding plate	22WF2-010	1
27	Front plate for sliding plate	22WF2-011	1
28	Rear plate for sliding plate	22WF2-012	1

2.



## 2. Upper shaft and thread take-up part

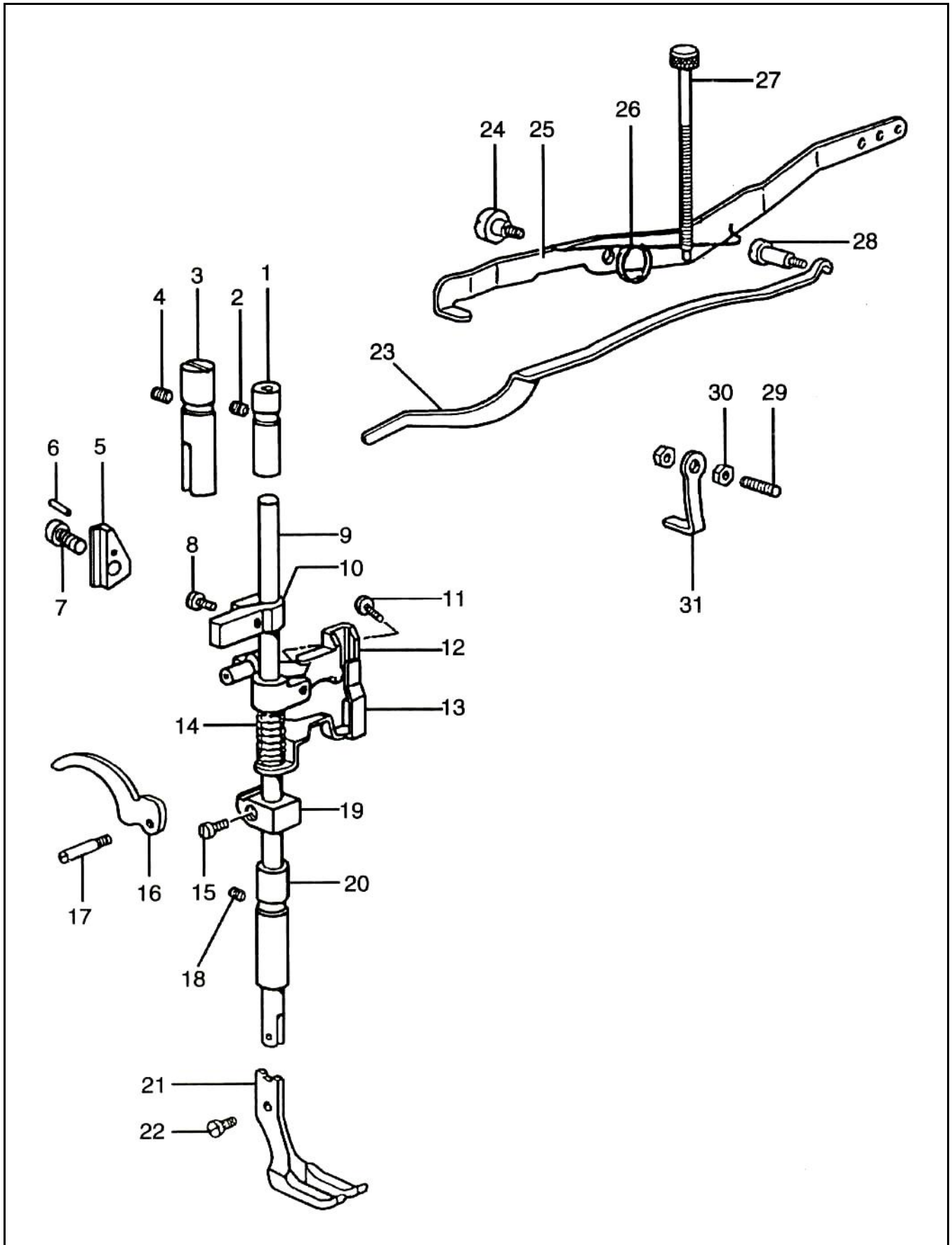
No.	Name	Part number	Qt.
1	Thread take-up lever pin shaft	16WF1-010	1
2	Screw	16WF1-011	1
3	Thread take-up lever	16WF1-012	1
4	Oil wick		1
5	Sliding block	16WF1-013	1
6	Oil wick		1
7	Needle bar link	16WF1-014	1
8	Screw	16WF1-020	1
9	Needle bar crank	16WF1-018	1
10	Screw	16WF1-019	1
11	Oil wick		1
12	Needle bar crank pin	16WF1-015	1
13	Screw	16WF1-017	1
14	Screw	16WF1-016	1
15	Oil felt	16FW4-025	3
16	Washer	16FW1-021	1
17	Front bushing	16WF1-024	1
18	Screw	22WF1-049	1
19	Oil wick		1
20	Screw	16WF1-004	1
21	Regulating Nut	22WF1-042	1
22	Regulating screw	16WF1-019	1
23	Spring ring	16WF1-043	2
24	Synchronized wheel	22 WF1-043	1
25	Screw	22 WF1-044	1
26	Screw (long)	22 WF1-046	1
27	Screw (short)	22WF1-045	1
28	Screw	22 WF1-048	2
29	Bearing		1
30	Rear bushing collar	22 WF1-047	1
31	Screw	16WF1-004	1
32	Rear bushing	16WF1-026	1
33	Ring for balance wheel	22WF1-008	1
34	Stop ring	16WF1-029	1
35	Screw	16WF1-028	1
36	Screw	16WF1-037	1
37	Balance wheel	16WF1-035	1
38	Screw	16FW1-040	1
39	Screw	16WF1-036	1
40	Synchronous belt	22 WF1-007	1
41	Middle bushing collar	22WF1-041	1
42	Middle bushing	22WF1-006	1
43	Upper shaft	22WF1-005	1



### 3. Needle bar rock part

No.	Name	Part number	Qt.
1	Oil wick		1
2	Needle bar rock pin	22WF5-002	1
3	Screw	16WF1-011	1
4	Needle bar rock holder	22WF5-001	1
5	Screw	16WF1-009	1
6	Needle bar	22WF1-001	1
7	Needle bar adapter	22WF1-004	1
8	Oil felt		1
9	Needle bar hold plate	19WF5-009	1
10	Screw	1WF5-010	1
11	Sliding block	22WF5-005	1
12	Sliding block shaft	22WF5-006	1
13	Screw	22WF1-020	1
14	Needle bar rock shaft	22WF5-004	1
15	Nut	22WF5-016	1
16	Needle bar rock shaft crank	22WF5-008	1
17	Oil wick		1
18	Screw	22WF5-011	1
19	Screw	22WF3-011	1
20	Screw	22WF4-008	1
21	Needle bar rock link	22WF5-010	1
22	Screw	22WF4-007	1
23	Feed dog crank	22WF4-006	1
24	Nut	22WF4-009	1
25	Screw	16WF1-006	1
26	Needle set screw	22WF1-003	1
27	Needle bar finger	22WF1-002	1
28	Needle		1

4.

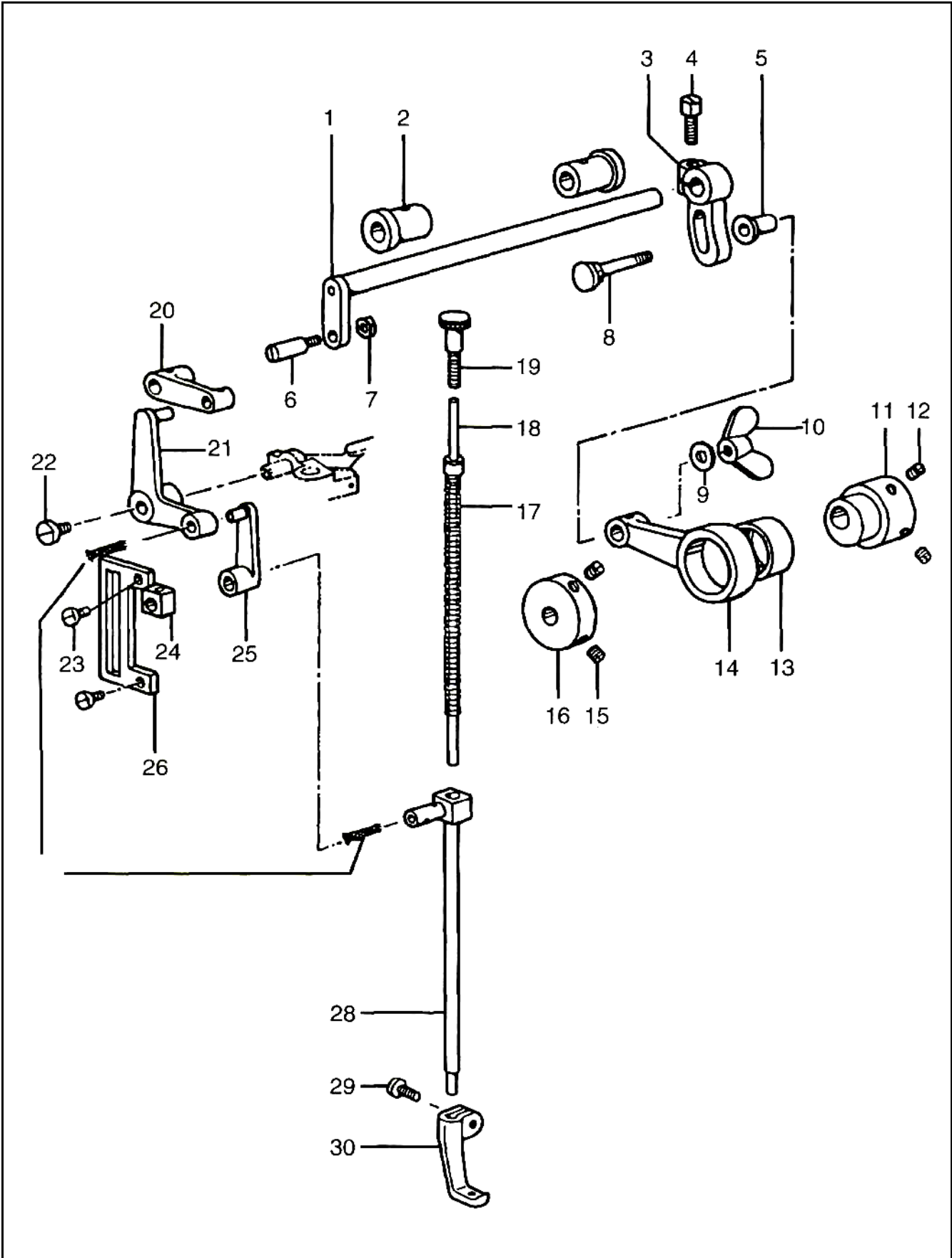


#### 4. Presser bar part

No.	Name	Part number	Qt.
1	Upper shaft bushing for presser bar	16WF4-027	1
2	Screw	16WF3-025	1
3	Guide shaft	16WF4-020	1
4	Screw	16WF3-025	1
5	Pressure plate	22WF3-010	1
6	Pressure plate pin	22WF3-012	1
7	Screw	22WF3-011	1
8	Screw	16WF4-022	1
9	Presser bar	22WF3-005	1
10	Presser bar guide	16FW4-021	1
11	Screw	16WF2-033	1
12	Thread releasing guide bracket	22WF3-007	1
13	Thread releasing plate	22WF3-009	1
14	Spring for thread releasing plate	22WF3-008	1
15	Screw	16WF1-009	1
16	Presser foot lifter	16WF4-002	1
17	Presser foot lifter shaft	16WF4-001	1
18	Screw	16FW3-025	1
19	Presser bar plate spring bracket	16WF4-023	1
20	Lower shaft bushing	22WF3-006	1
21	Presser foot	22WF3-013	1
22	Screw	22WF3-014	1
23	Presser bar plate spring	16WF4-009	1
24	Screw	16WF3-059	1
25	Presser foot lifter lever	22WF3-002	1
26	Spring	22WF3-00b	1
27	Regulating screw	16WF4-016	1
28	Screw	16WF4-008	1
29	Screw	22WF3-003	1
30	Nut	22WF3-004	2
31	Presser foot lifter lever position plate	22WF3-015	1



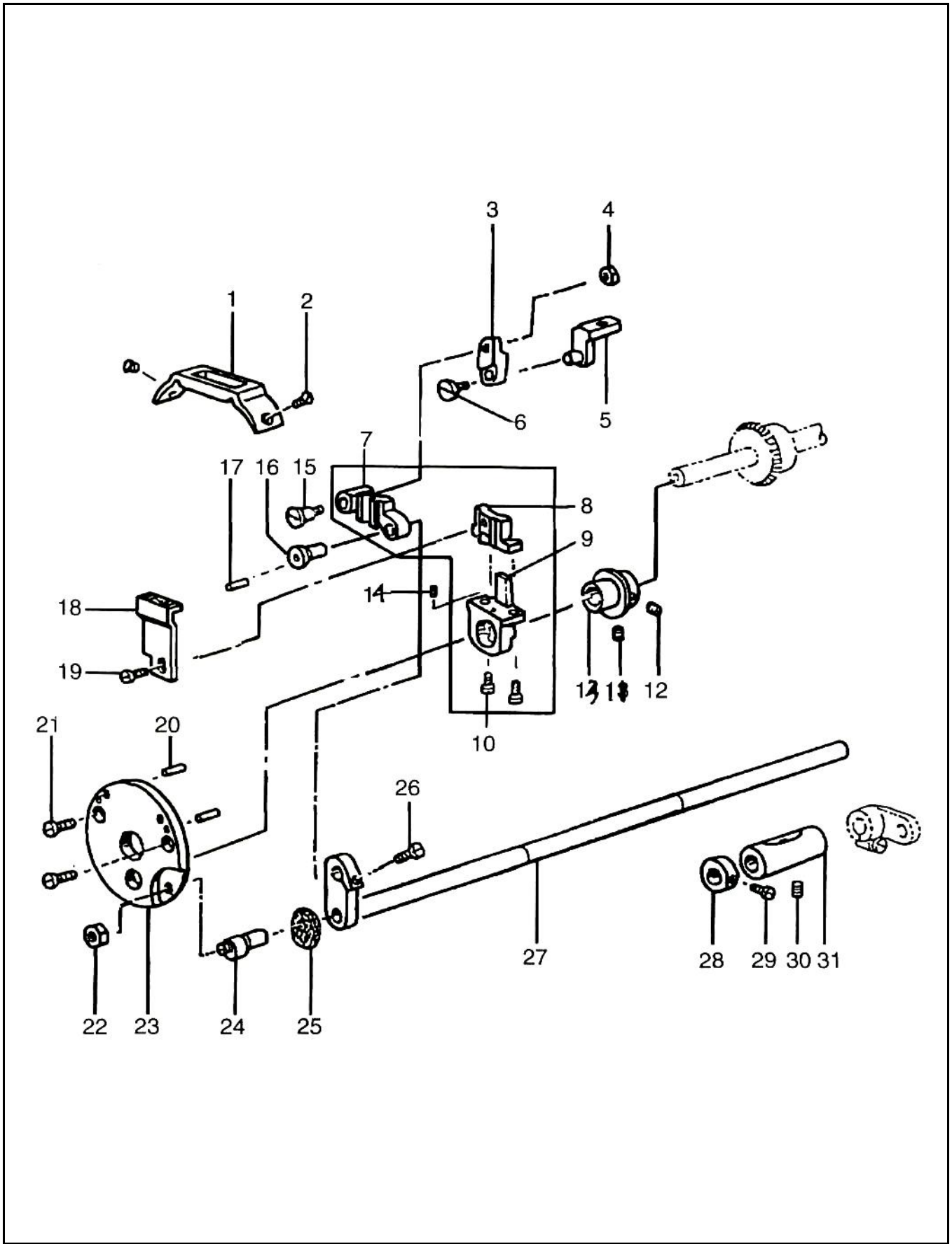
5.



## 5. Upper feed part

No.	Name	Part number	Qt.
1	Presser foot lifter shaft	22WF5-012	1
2	Bushing	22WF5-013	2
3	Crank	22WF5-017	1
4	Screw	16WF3-030	1
5	Collar	22WF5-019	1
6	Screw	22WF5-015	1
7	Nut	22WF5-016	1
8	Screw	22FW5-018	1
9	Washer	16WF2-023	1
10	Nut	22FW5-020	1
11	Eccentric wheel	22WF5-022	1
12	Screw	22WF4-002	2
13	Bearing		1
14	Eccentric link	22WF5-021	1
15	Screw	22WF5-025	2
16	Collar	22WF5-024	1
17	Spring	22WF5-030	1
18	Spring lever	22WF5-031	1
19	Screw	22WF5-034	1
20	Link	22WF5-014	1
21	Rock plate	22WF5-026	1
22	Screw	22WF5-027	1
23	Screw	16WF1-059	1
24	Sliding block	22WF5-009	1
25	Link	22WF5-028	1
26	Rail	22WF5-003	1
27	Oil wick		2
28	Rocking presser lever	22WF5-029	1
29	Screw	22WF5-033	1
30	Small presser foot	22WF5-032	1

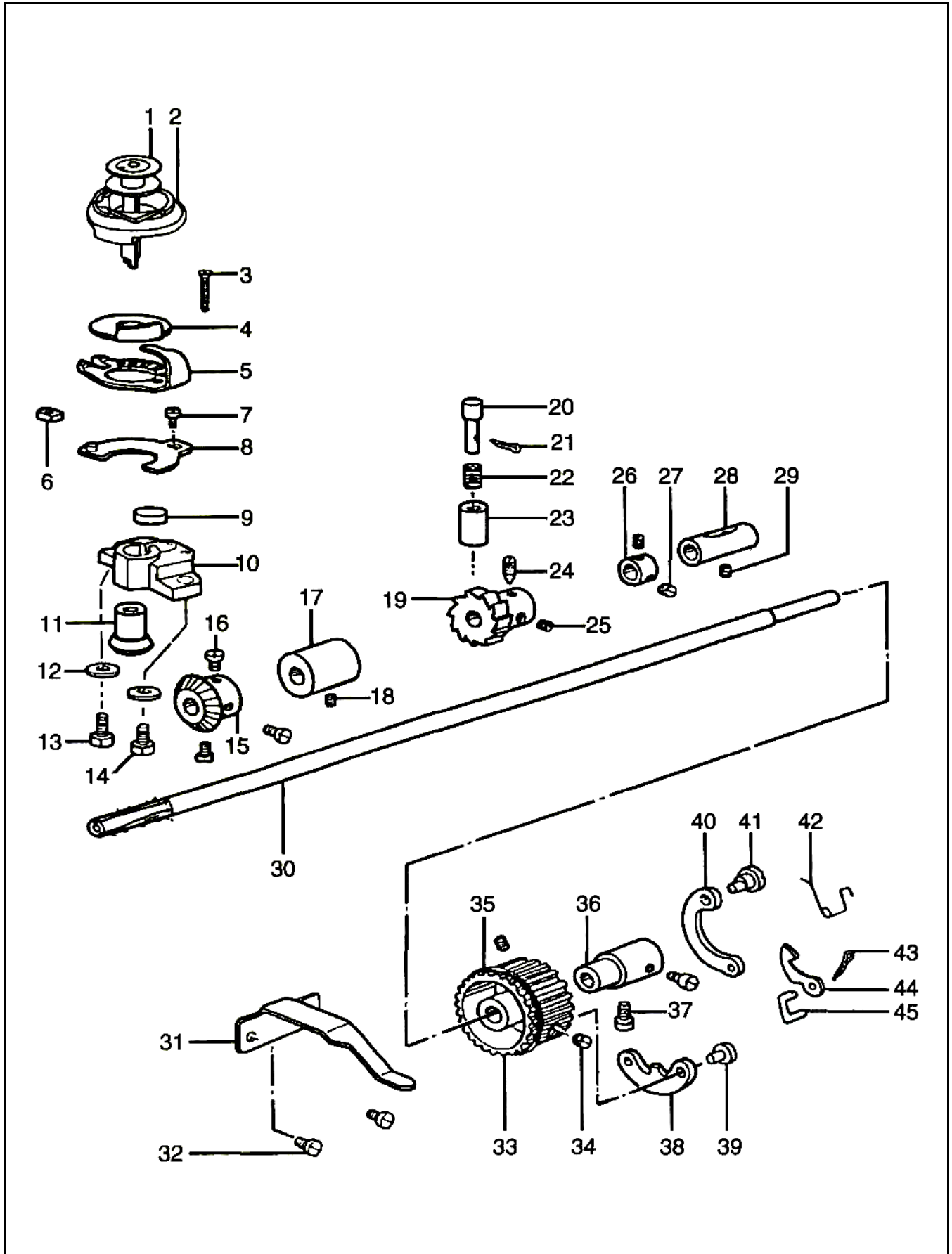
6.



## 6. Feed shaft part

No.	Name	Part number	Qt.
1	Needle plate	22WF2-009	1
2	Screw	22WF2-007	2
3	Link	22FW4-017	1
4	Nut	22WF4-044	1
5	Feed connecting holder	22WF4-016	1
6	Screw	22WF4-019	1
7	Feed dog guide	22WF4-015A2	1
8	Feed dog holder	22WF4-015A1	1
9	Feed dog carrier bracket	22WF4-015A3	1
10	Screw	22WF4-015A4	2
11	Screw	22WF4-005	1
12	Screw	22WF4-004	1
13	Feed lifter cam	22WF4-003	1
14	Eccentric	22WF4-018	1
15	Screw	22WF4-043	1
16	Connecting pin	22WF4-042	1
17	Oil wick		1
18	Feed dog	22WF4-013	1
19	Screw	22WF4-014	1
20	Pin	22WF2-018	2
21	Screw	22WF2-017	2
22	Nut	22WF4-011	1
23	Cover	22WF2-016	1
24	Screw	22WF4-010	1
25	Oil felt	22WF4-012	1
26	Screw	22WF4-020	1
27	Feed shaft	22WF4-041	1
28	Feed shaft collar	22WF4-045	1
29	Screw	22WF1-027	1
30	Screw	J0.0.81	1
31	Feed shaft bushing	2WF4-046	1

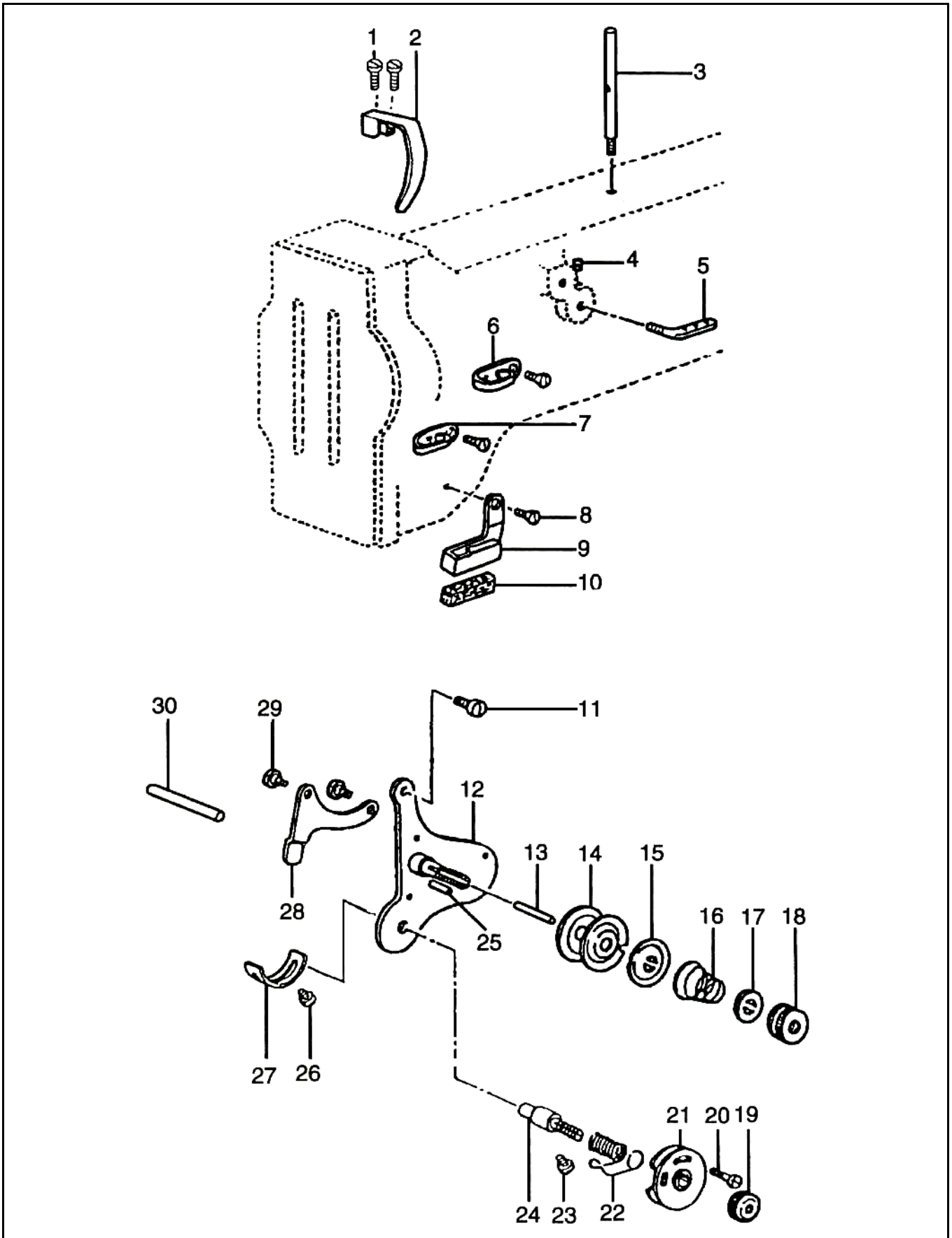
7.



## 7. Lower shaft and hook part

No.	Name	Part number	Qt
1	Bobbin	16WF1-063	1
2	Hook		1
3	Screw	22WF1-029	1
4	Eccentric plate	22WF1-033	1
5	Thread separator	22WF1-030	1
6	Sliding block	22WF1-031	1
7	Screw	13WF2-008	1
8	Set plate	22WF1-032	1
9	Oil felt	22WF1-037	1
10	Rotating hook bracket	22FW1-034	1
11	Hook bevel gear	22WF1-028	1
12	Washing	22WF1-036	2
13	Screw (long)	22WF1-035	1
14	Screw (short)	22WF1-050	1
15	Lower shaft bevel gear	22FW1-024	1
16	Screw	22WF1-025	3
17	Lower shaft front bushing	22 WF1-021	1
18	Screw	22WF1-022	1
19	Stop wheel	22WF1-039	1
20	Button	22WF1-038	1
21	Split pin		1
22	Spring	16WF3-046	1
23	Collar	22WF1-040	2
24	Screw	16WF1-054	1
25	Screw	16WF1-053	1
26	Lower shaft collar	22WF1-026	1
27	Screw	13WF3-072	2
28	Lower shaft rear bushing	22WF1-023	1
29	Screw	22 WF1-022	1
30	Lower shaft	22WF1-009	1
31	Position plate	22WF2-015	1
32	Screw	16WF3-014	2
33	Synchro pulley	22WF1-010	1
34	Screw	22WF1-020	2
35	Stop ring	16WF1-043	1
36	Bushing	22WF1-011	1
37	Screw	22WF1-012	2
38	Control plate	22WF1-018	1
39	Control plate pin	22WF1-019	1
40	Spring plate	22WF1-013	1
41	Eccentric shaft pin	22WF1-015	1
42	Spring	22WF1-014	1
43	Split pin		1
44	Stop plate	22WF1-016	1
45	Connection	22WF1-017	1

8.

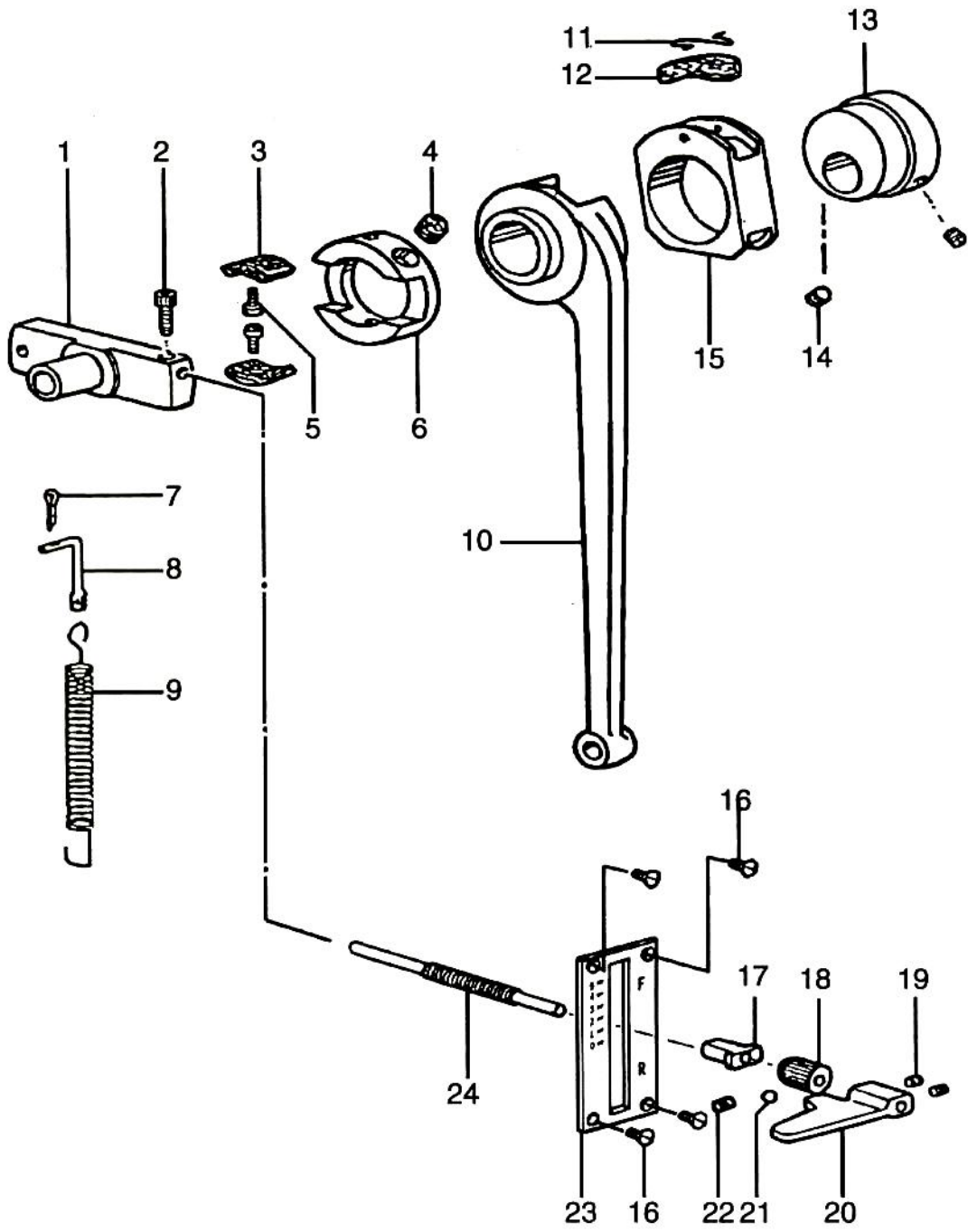


## 8. Thread pass part

No.	Name	Part number	Qt.
1	Screw	16WF2-016	2
2	Thread take-up lever cover	16WF2-017	1
3	Thread retaining pin	16WF2-048	1
4	Screw	16WF2-025	1
5	Three-eye thread finger	16WF2-024	1
6	Upper thread finger	16WF2-011	1
7	Middle thread finger	16WF2-012	1
8	Screw	16WF2-015	3
9	Lower thread finger	16WF2-013	1
10	Felt	16WF2-014	1
11	Screw	16WF2-020	1
12	Regulating plate	16WF2-046A1	1
13	Thread releasing pin	16WF2-046A13	1
14	Thread tension plate	16WF2-046A6	2
15	Thread releasing plate	16WF2-046A5	1
16	Spring	16WF2-046A4	1
17	Stop plate	153029	1
18	Nut	16WF2-046A3	1
19	Nut	16WF2-046A11	1
20	Screw	16WF2-046A9	1
21	Thread regulator	16WF2-046A8	1
22	Thread take-up spring	16WF2-046A7	1
23	Screw	16WF2-033	1
24	Thread take-up spring shaft	16WF2-046A10	1
25	Thread distributor pin	16WF2-046A12	1
26	Screw	16WF2-050	1
27	Position plate	16WF2-049	1
28	Thread tension releasing disc	16WF2-046A14	1
29	Screw	16WF2-046A15	4
30	Thread tension releasing lever	16W2-047	1



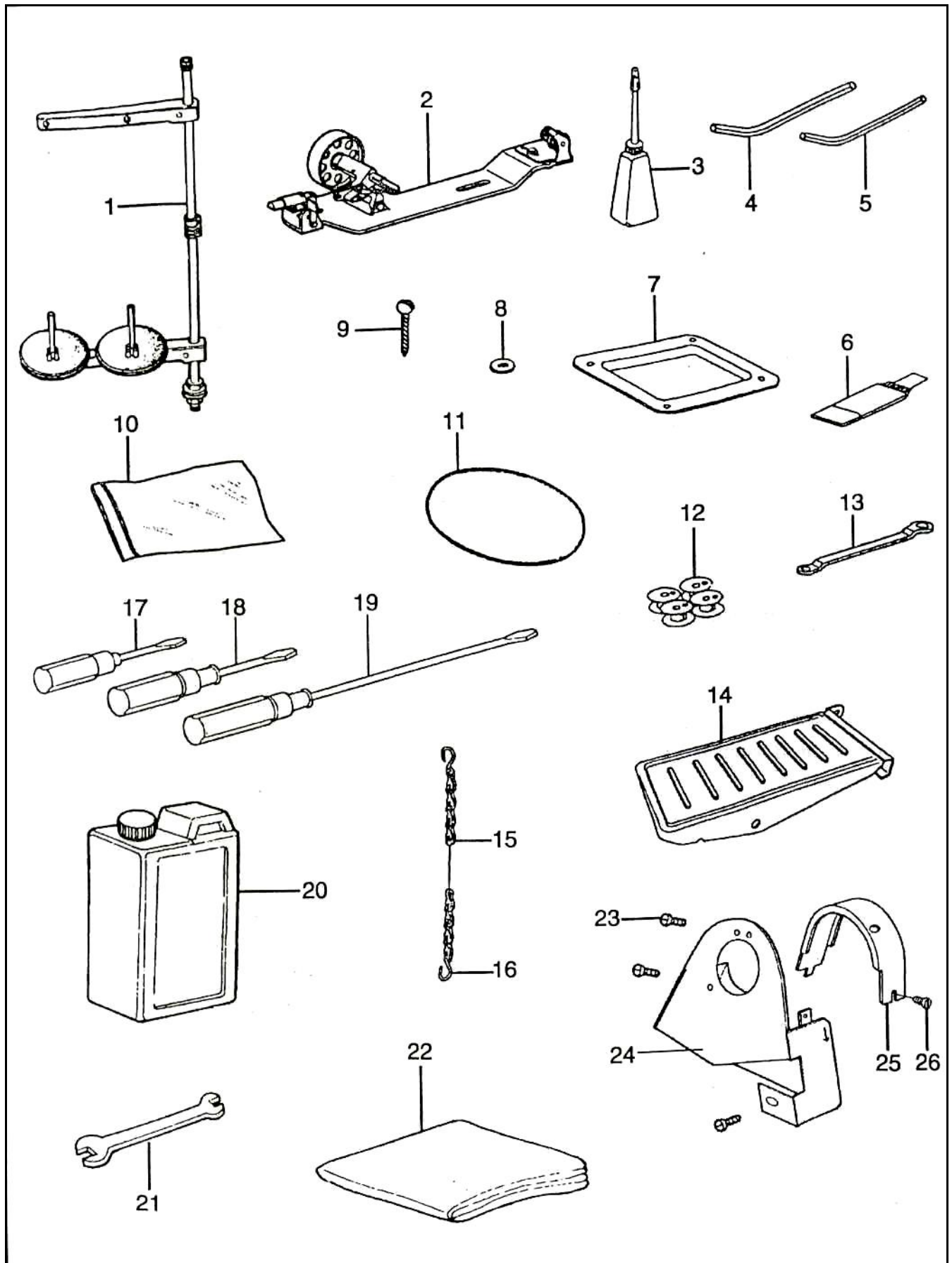
9.



## 9. Adjust stitch length part

No.	Name	Part number	Qt
1	Reverse stitch plate	22WF4-023	1
2	Screw	22WF4-025	1
3	Oil felt	22WF4-035	2
4	Oil felt	22WF4-037	1
5	Screw	22WF4-036	2
6	Adjusting block	22WF4-034	1
7	Split pin		1
8	Spring finger	22WF4-022	1
9	Spring	22WF4-021	1
10	Feed link	22WF4-033	1
11	Spring	11WF4-040	1
12	Oil felt	22WF4-039	1
13	Feed eccentric wheel	22WF4-001	1
14	Screw	22WF4-002	2
15	Sliding block	22WF4-038	1
16	Screw	22WF4-032	4
17	Position block	22WF4-026	1
18	Regulator nut	22W4-027	1
19	Screw	22WF4-029	2
20	Reverse feed lever	22WF4-028	1
21	Spring rolling ball		1
22	Spring	22WF4-030	1
23	Stitch length dial	22WF4-031	1
24	Adjusting bolt	22WF4-024	1

10.



## 10. Accessory

No.	Name	Part number	Qt.
1	Spool stand complete	33TF-019	1
2	Thread winder complete	S14420020	1
3	Oil pot	33TF-011	1
4	Hexagonal screwdriver	1F-010	1
5	Hexagonal screwdriver	1F-011	1
6	Needle	1F-019	1
7	Oil reservoir	22WF2-008	1
8	Washer	33TF-018	1
9	Wood-screw	33TF-017	1
10	Parts bag	33TF-010	1
11	Belt	37TF-005	1
12	Bobbin	16WF1-063	4
13	Spanner		1
14	Pedal complete	18WF1-013	1
15	Chain	18WF1-017	1
16	Chain finger	15WF-016	2
17	Screwdriver (small)	33TF-014	1
18	Screwdriver	33TF-013	1
19	Screwdriver (big)	323TF-012	
20	Oil tank	1F-012	1
21	Two head wrench		1
22	Cover		1
23	Screw	37T4-416	2
24	Safety guard (=)	22WF6-006	1
25	Safety guard (-)	22WF6-005	1
26	Screw	22WF6-007	2