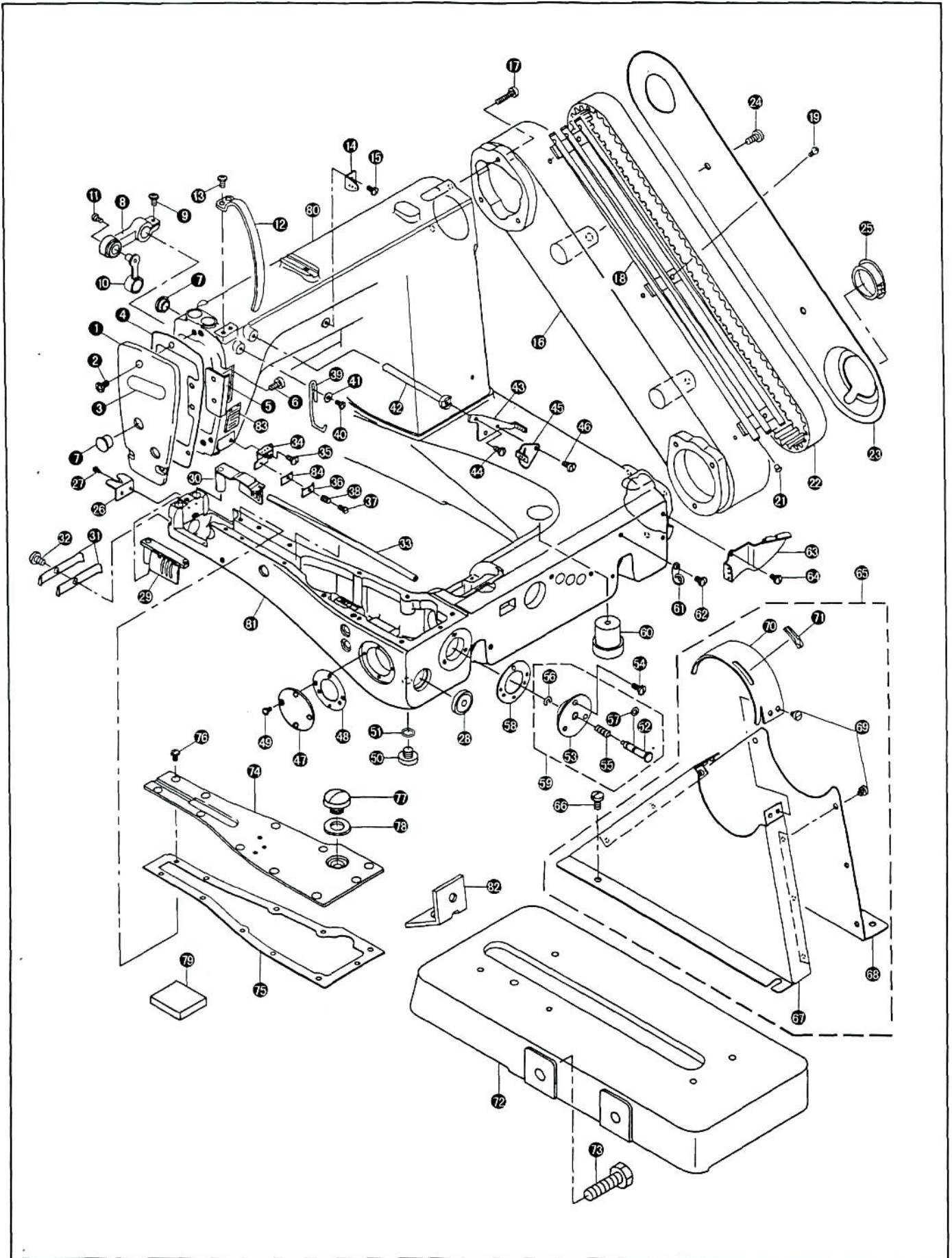
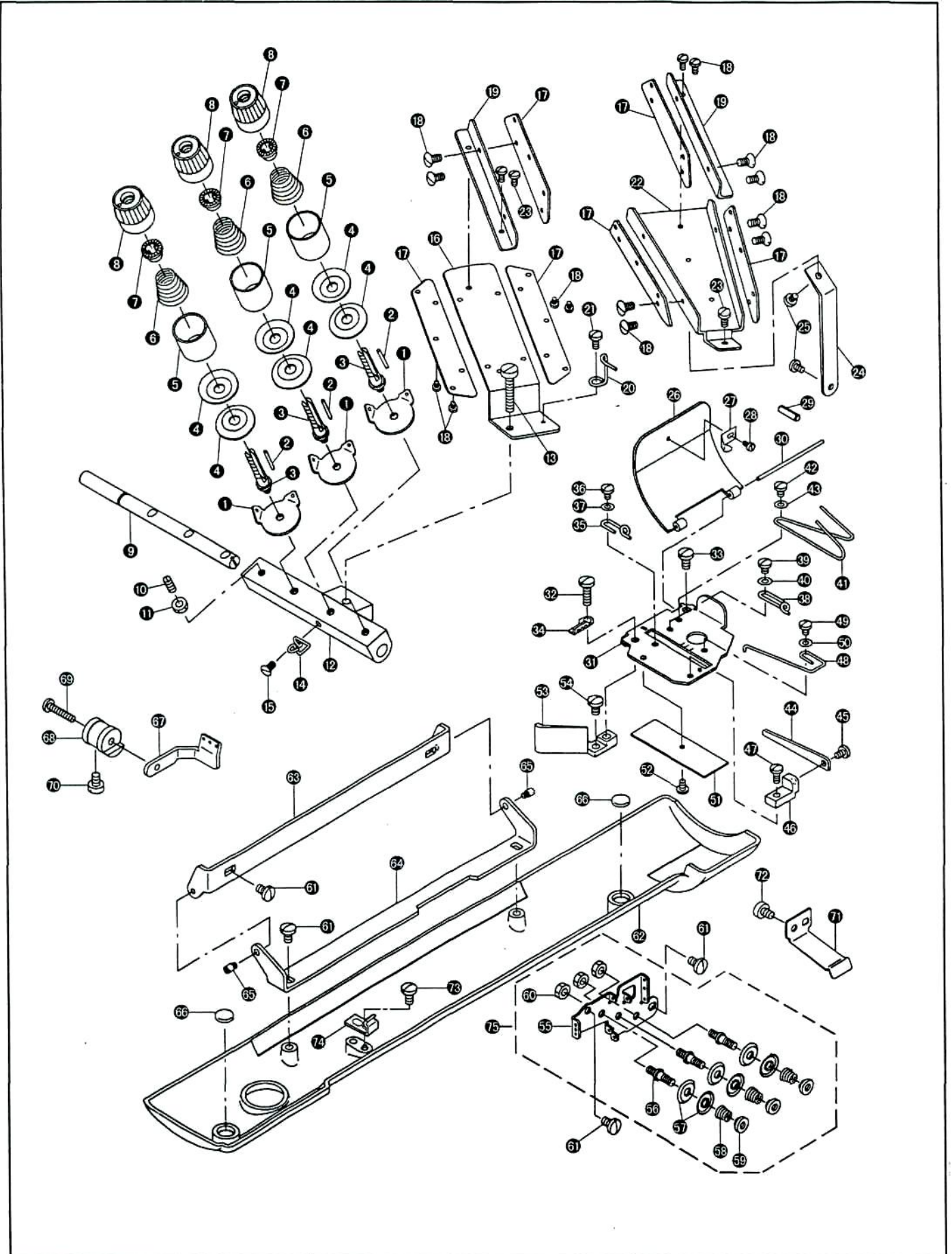


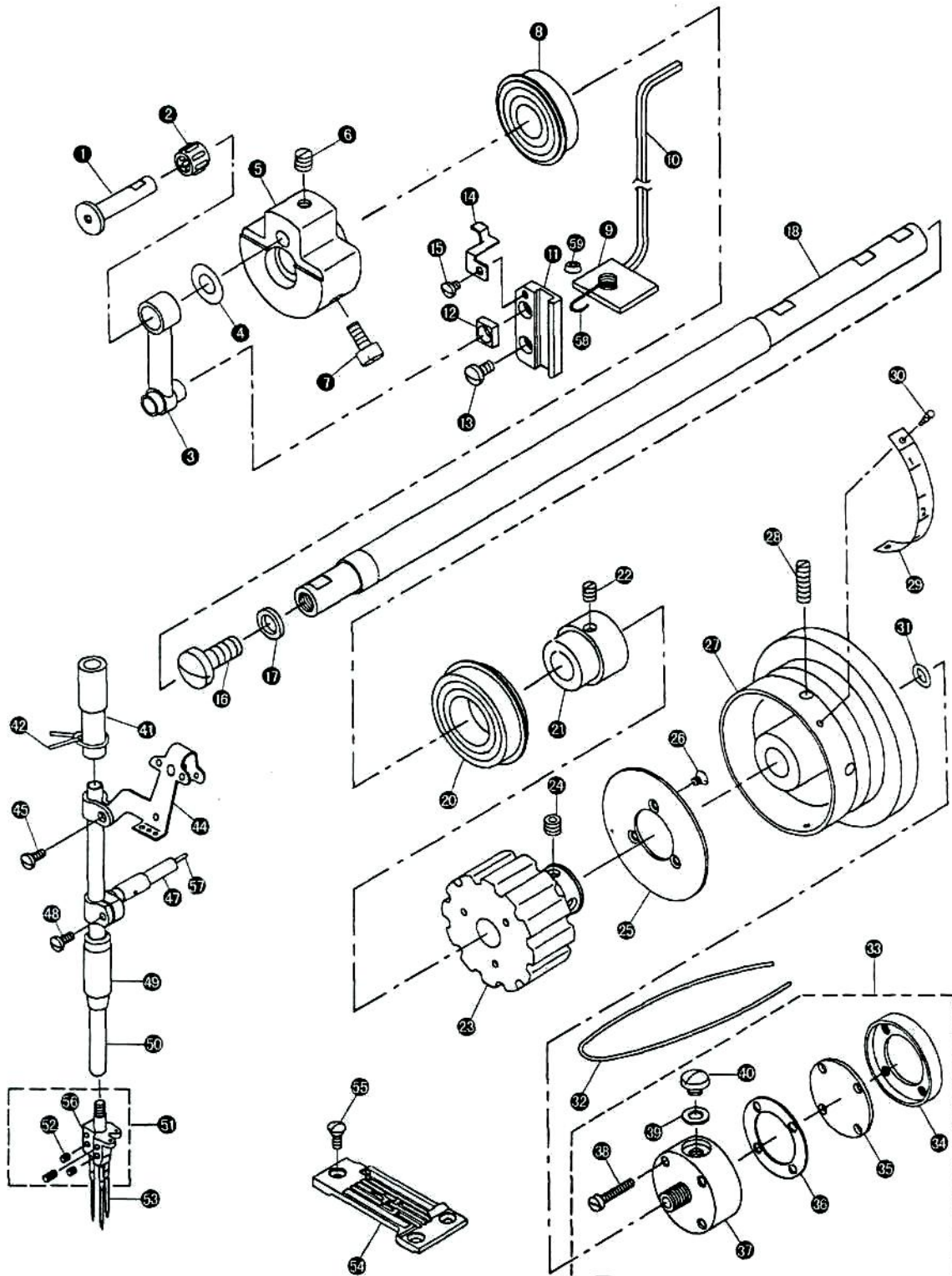
1. FRAME & MISCELLANEOUS COVER COMPONENTS



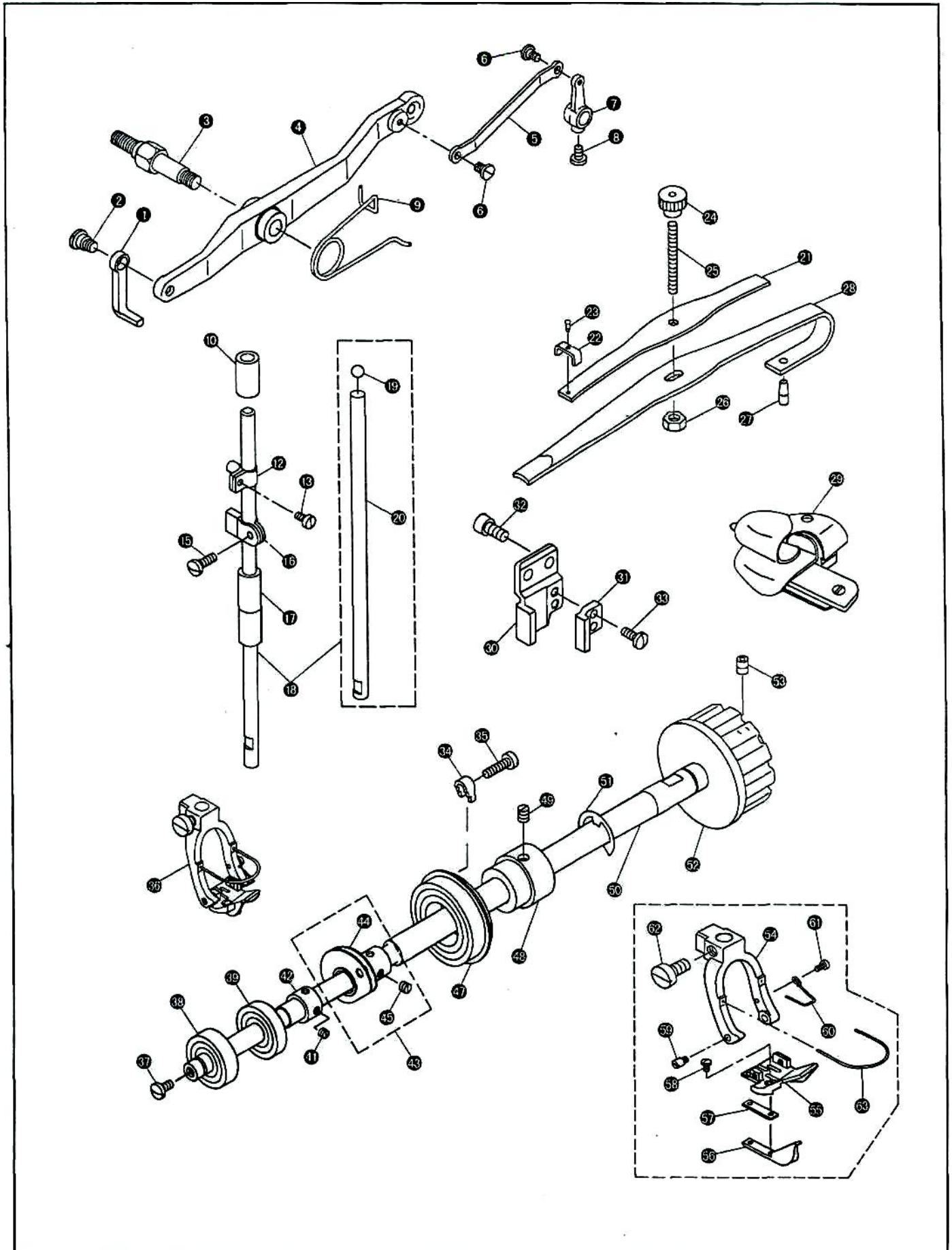
2. LOOPER THREAD GUIDE COMPONENTS



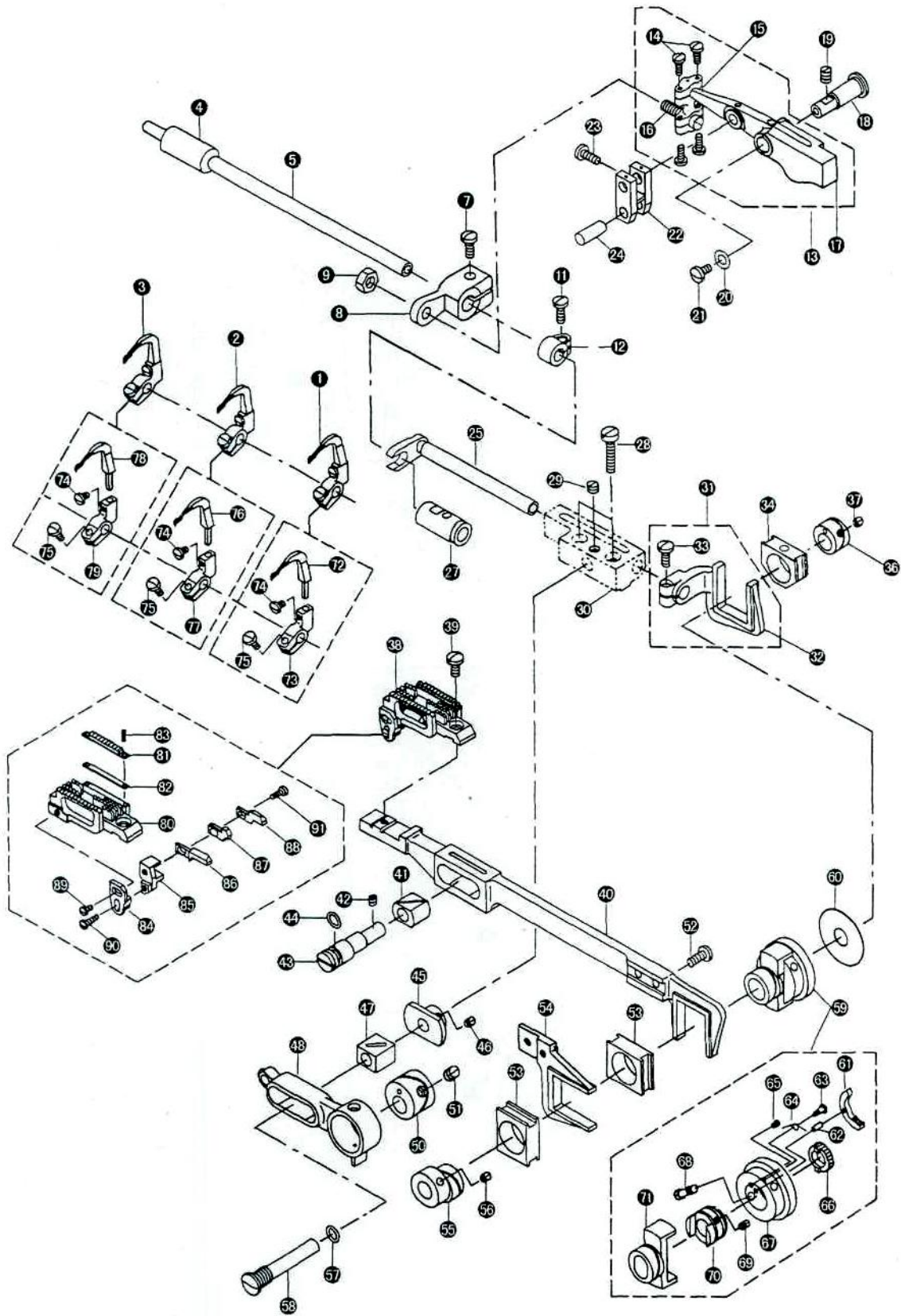
3. NEEDLE BAR & MAIN SHAFT COMPONENTS



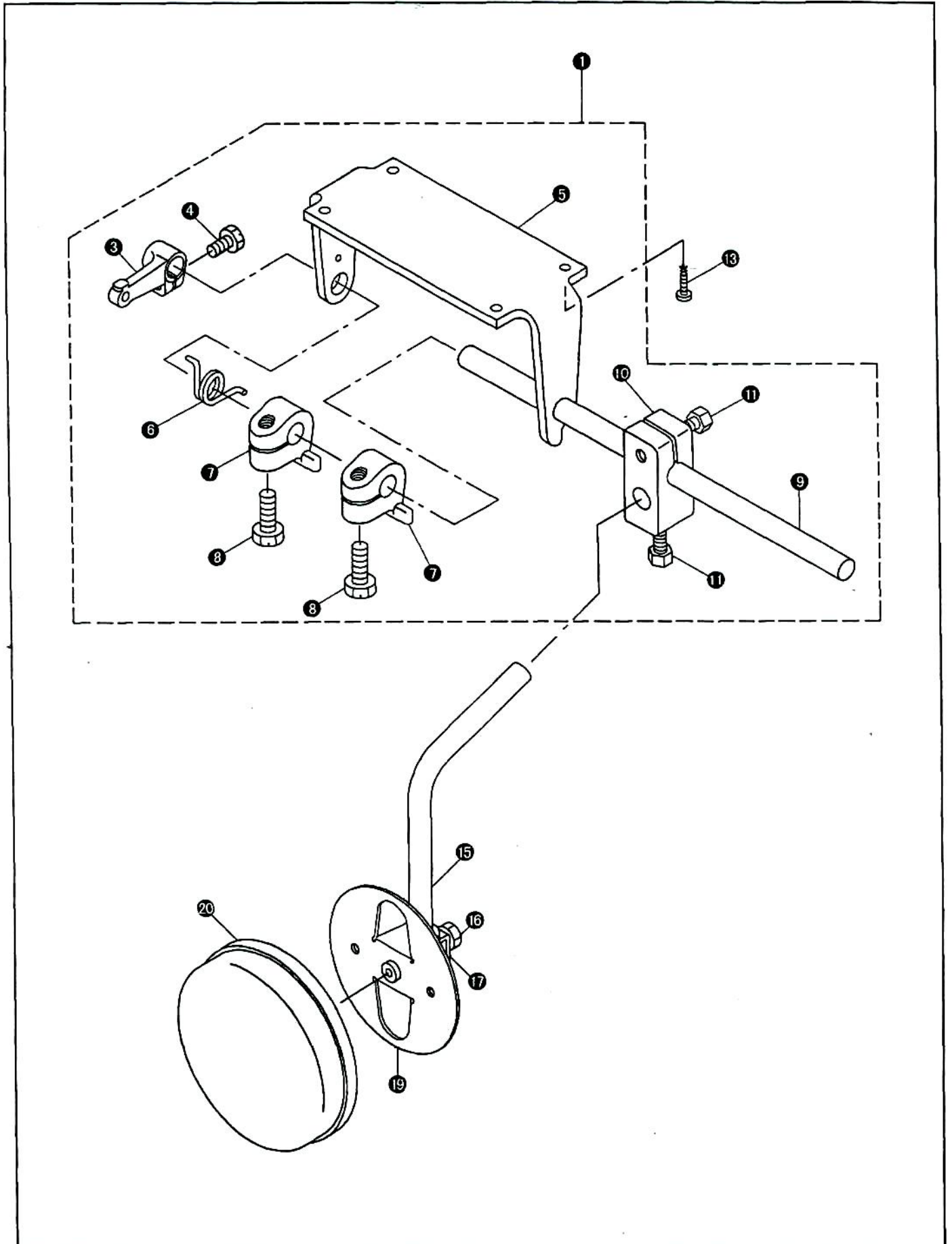
4. PRESSER BAR & LOWER SHAFT COMPONENTS



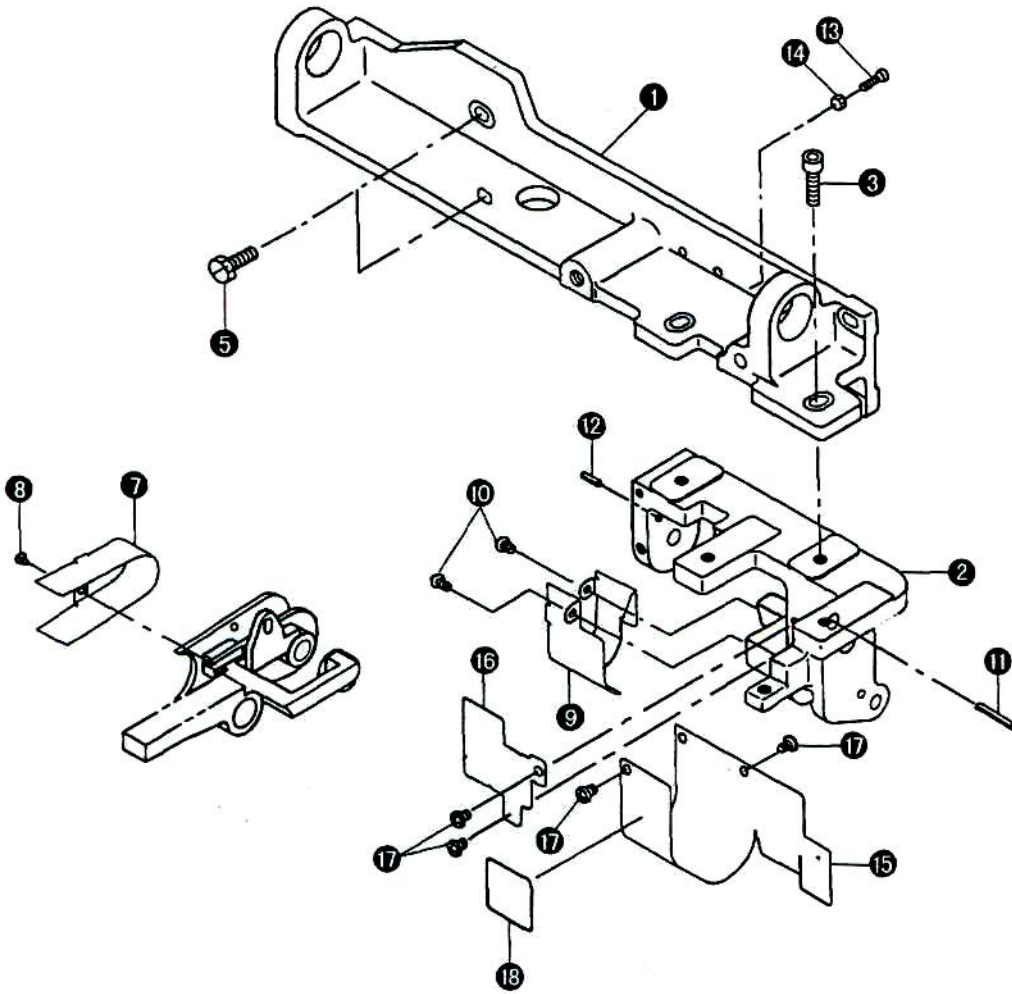
5. FEED MECHANISM COMPONENTS



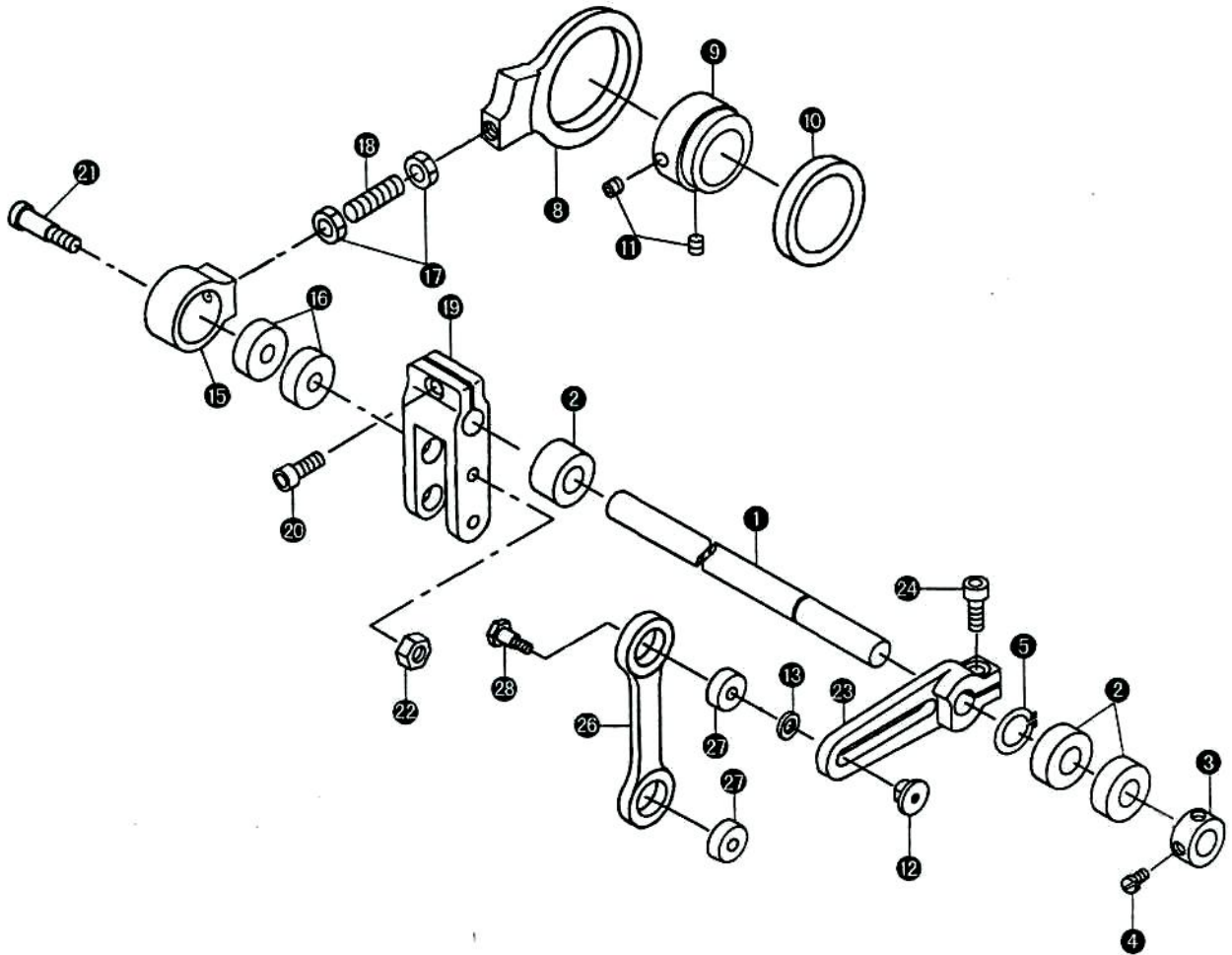
6. KNEE LIFTER COMPONENTS



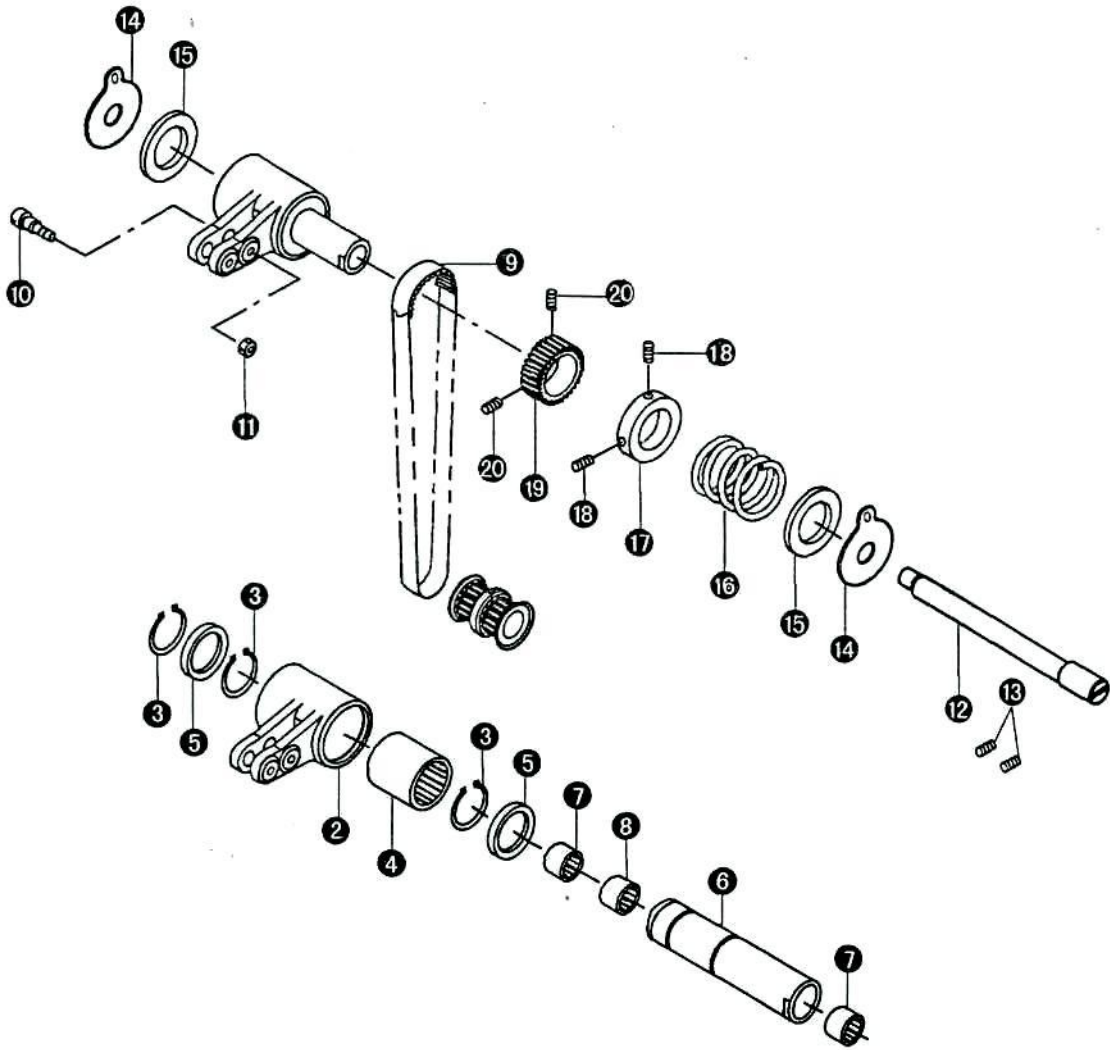
7. FRAME & COVER COMPONENTS'



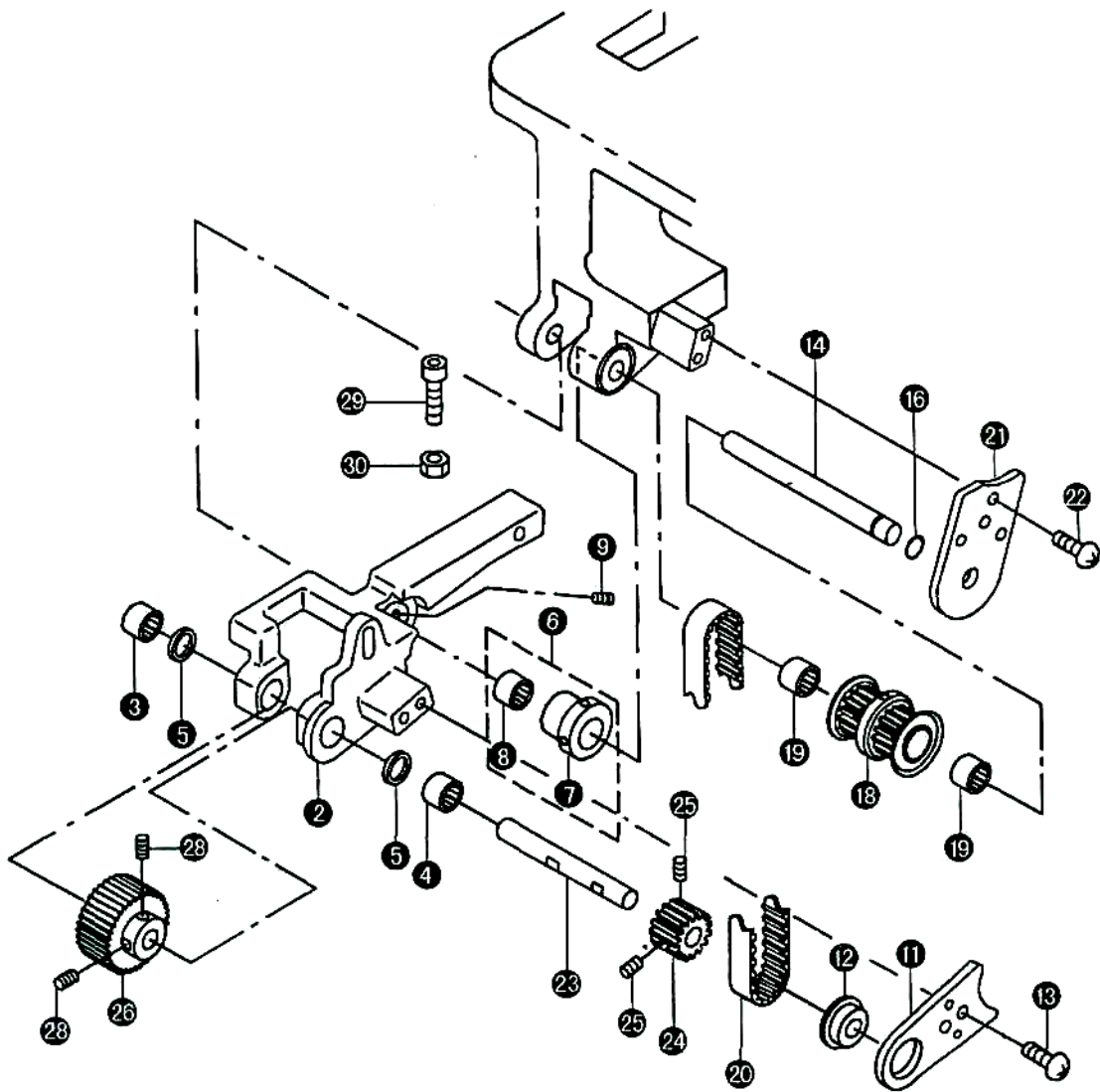
8. DRIVE COMPONENTS



9. CLUTCH COMPONENTS



10. ROLLER DRIVE COMPONENTS



11. PRESSER COMPONENTS

