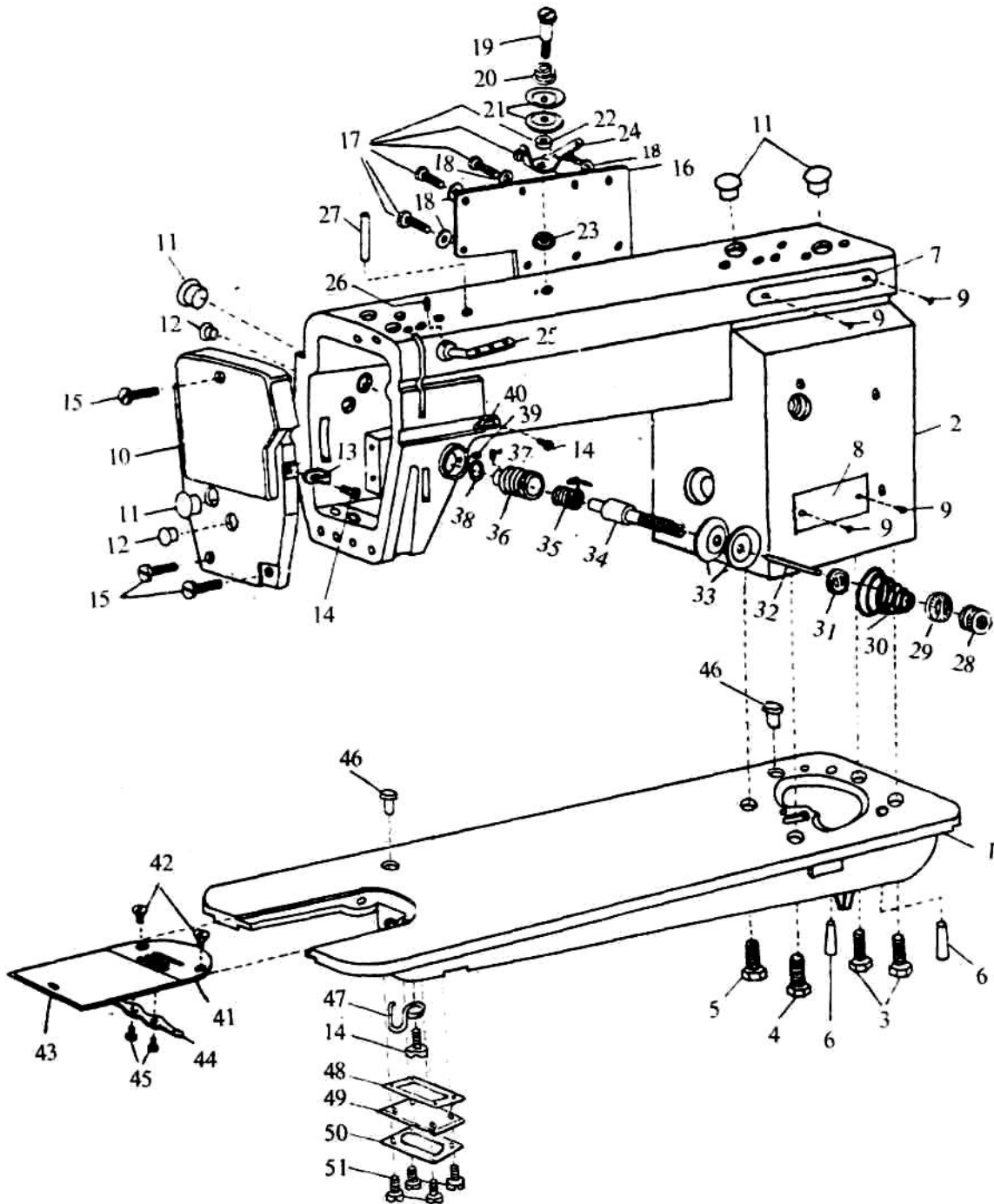


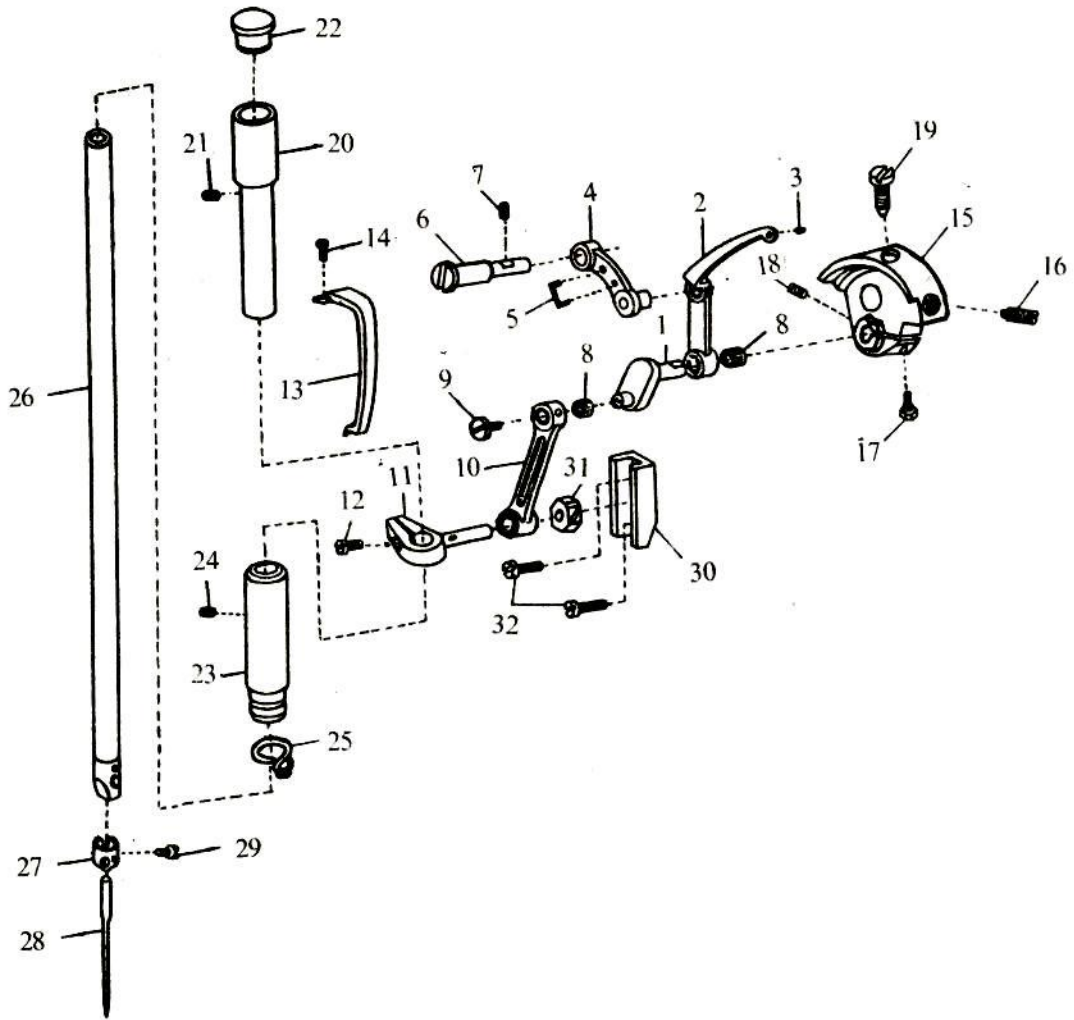
1.



## 1. Arm and Bed

Item	Description	pcs.
1.	Machine bed	1
2.	Machine arm	1
3.	Screw	2
4.	Screw	1
5.	Screw	1
6.	Pin	2
7.	Name plate	1
8.	Trade mark	1
9.	Nail	4
10.	Face plate	1
11.	Rubber plug (Φ19)	1
	Rubber plug (Φ19)	2
12.	Rubber plug	1
	Rubber plug	1
	Rubber plug	1
13.	Thread finger	1
14.	Screw	1
	Screw	1
15.	Screw	3
16.	Rear cover	1
17.	Screw	6
18.	Washer	6
19.	Screw	1
20.	Spring	1
21.	Thread tension discs	2
22.	Shim	1
23.	Split stop ring	1
24.	Thread guide plate	1
25.	Three—eye thread finger	1
26.	Screw	1
27.	Oil pipe	1
28.	Nut	1
29.	Stop plate	1
30.	Spring	1
31.	Thread tension releasing plate	1
32.	Pin	1
33.	Discs	2
34.	Screw	1
35.	Thread take—up spring	1
36.	Thread tension adjusting bracket	1
37.	Screw	1
38.	O—type ring	1
39.	Set screw	1
40.	Thread finger	1
41.	Throat plate	1
42.	Screw	2
43.	Slide plate	1
44.	Spring	1
45.	Screw	2
46.	Oil plug	2
47.	Position finger for oil wick	1
48.	Seal ring	1
49.	Cover	1
50.	Press plate	1
51.	Screw	4

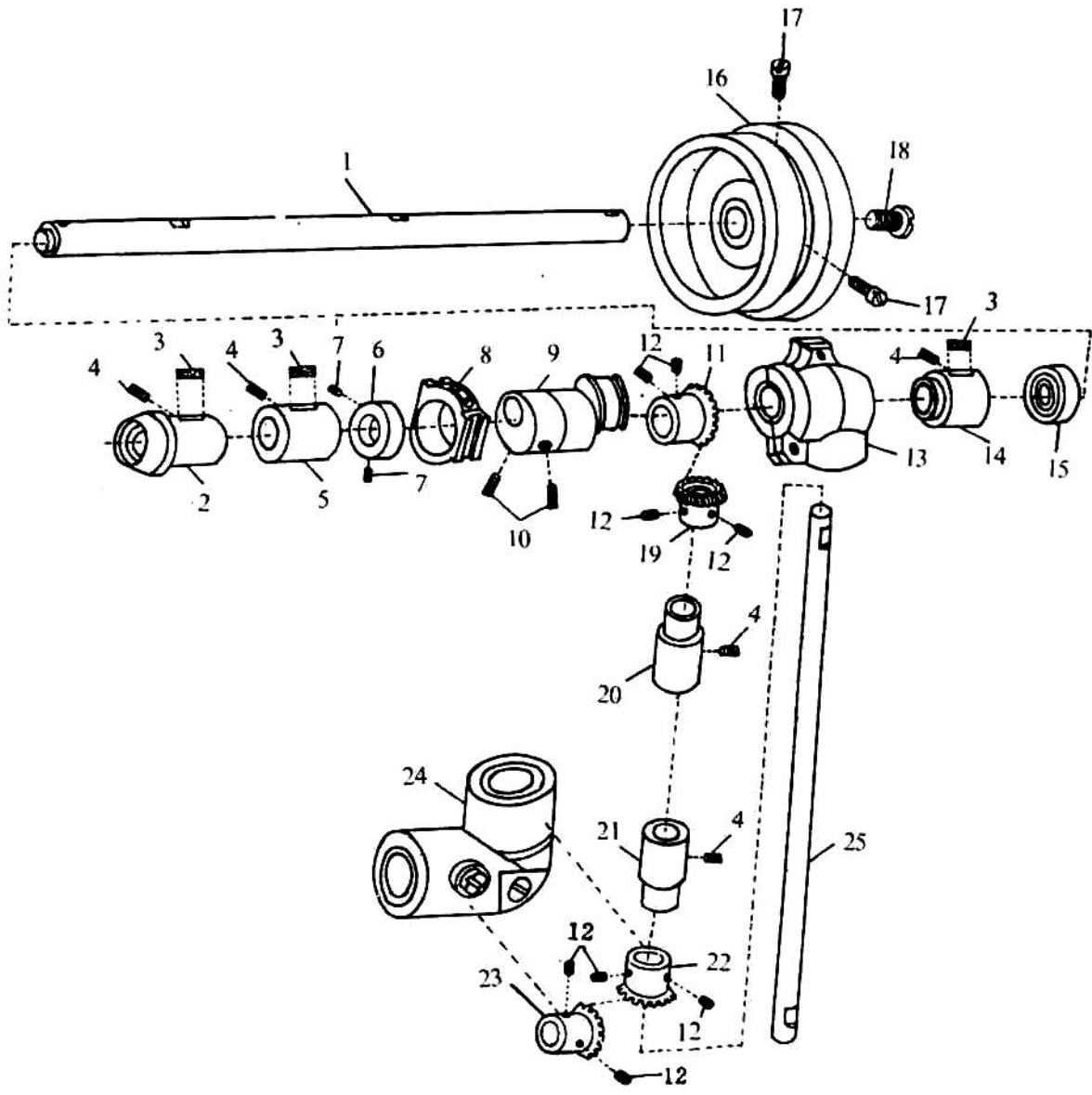
2.



## 2. Needle Bar And Thread Take -up

Item	Description	pcs.
1.	Thread take—up crank	1
2.	Thread take-up lever	1
3.	Thread take—up lever eyelet bushing	1
4.	Thread take—up lever link	1
5.	Thread take—up lever link oil wick	1
6.	Thread take—up lever link hinge pin	1
7.	Thread take—up lever link hinge pin set screw	1
8.	Needle bearing	2
9.	Needle bar connecting link cap screw	1
10.	Needle bar connecting link	1
11.	Needle bar connecting stud	1
12.	Needle bar connecting stud clamping screw	1
13.	Thread take—up lever guard	1
14.	Thread take—up lever guard screw	1
15.	Needle bar crank	1
16.	Needle bar crank set screw	1
17.	Thread take—up crank clamping screw	1
18.	Thread take—up crank position screw	1
19.	Needle bar crank position screw	1
20.	Needle bar bushing (upper)	1
21.	Needle bar bushing (upper) set screw	1
22.	Needle bar bushing (upper) rubber plug	1
23.	Needle bar bushing (lower)	1
24.	Needle bar bushing (lower) set screw	1
25.	Needle bar bushing (lower) thread guard	1
26.	Needle bar	1
27.	Needle bar thread guide	1
28.	Needle	1
29.	Needle set screw	1
30.	Needle bar connecting stud slide block guide—way	1
31.	Needle bar connecting stud slide block	1
32.	Needle bar connecting stud slide block guide—way screw	2

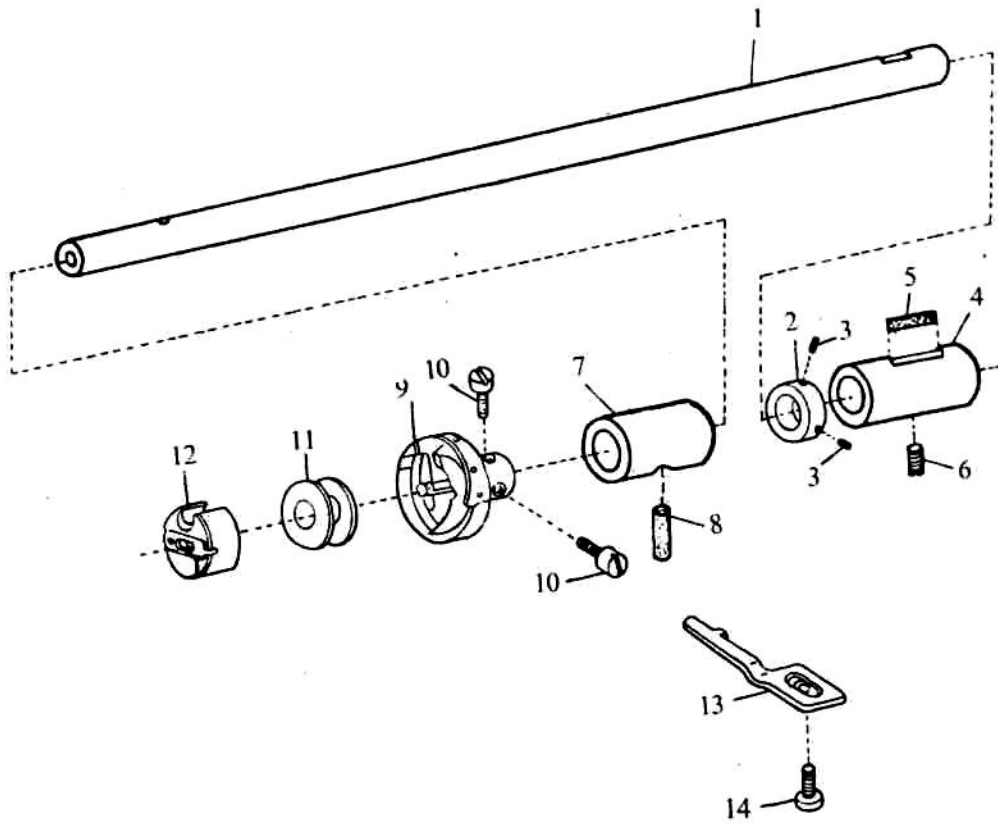
3.



### 3. Arm Shaft And Vertical Shaft

Item	Description	pcs
1.	Arm shaft	1
2.	Arm shaft flanged bushing (front)	1
3.	Arm shaft bushing oil pad (felt)	3
4.	Arm shaft bushing set screw	5
5.	Arm shaft bushing (middle)	1
6.	Arm shaft collar	1
7.	Arm shaft collar set screw	2
8.	Feed dog fork sliding block complete	1
9.	Feed cam	1
10.	Screw	2
11.	Arm shaft bevel gear	1
12.	Bevel gear set screw	8
13.	Bevel gear case (upper) complete	1
14.	Arm shaft bushing (rear)	1
15.	Arm shaft bushing (rear) oil seal assembly	1
16.	Balance wheel	1
17.	Balance wheel set screw	2
18.	Arm shaft screw	1
19.	Vertical shaft bevel gear (upper)	1
20.	Vertical shaft bushing (upper)	1
21.	Vertical shaft bushing (lower)	1
22.	Vertical shaft bevel gear (lower)	1
23.	Rotating hook shaft bevel gear	1
24.	Bevel gear case (lower) assembly	1
25.	Vertical shaft	1

4.

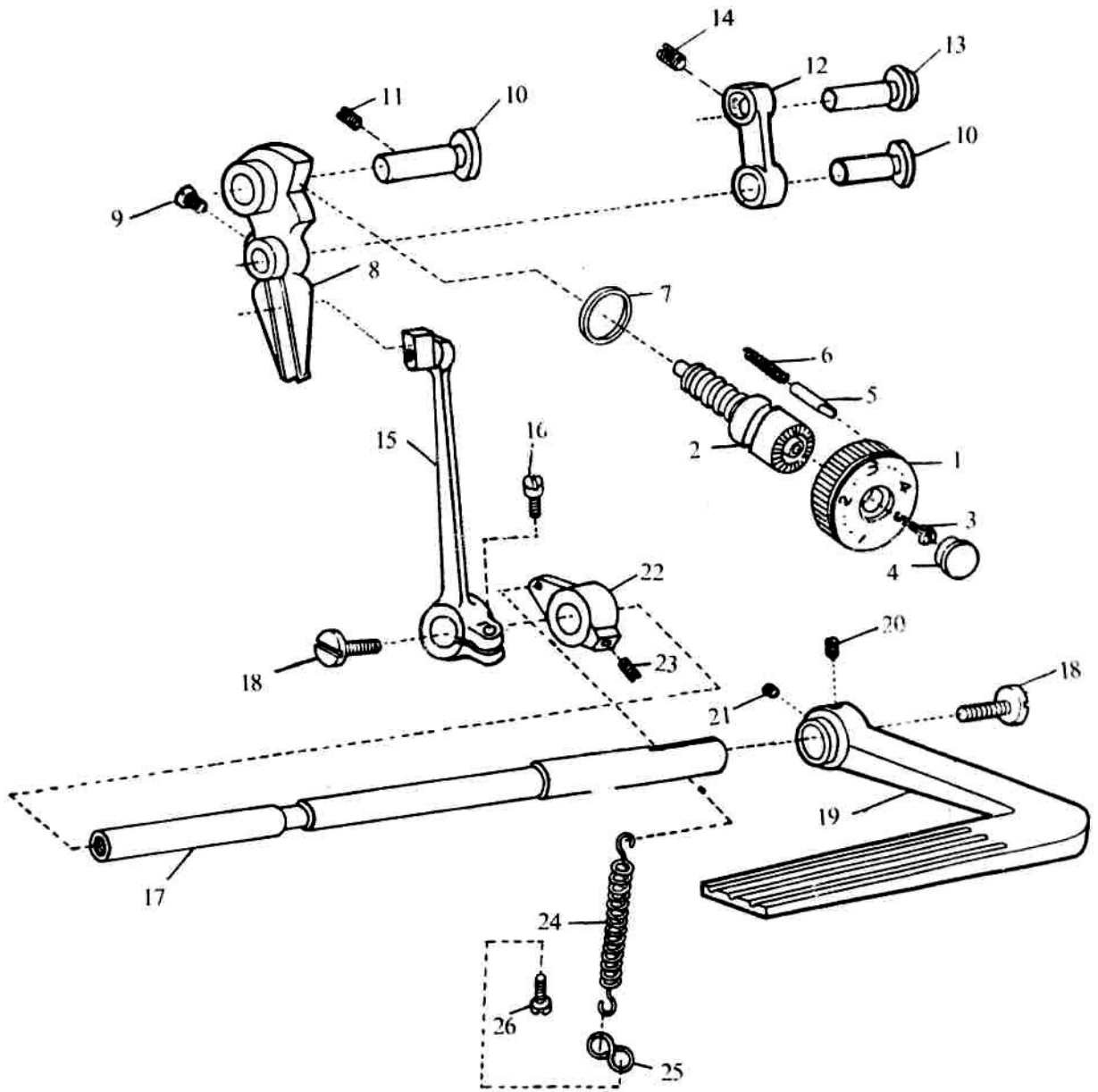


#### 4. Rotating Hook And Its Shaft

Item	Description	pcs
1.	Hook shaft complete	1
2.	Collar for hook shaft	1
3.	Screw	2
4.	Rear bushing	1
5.	Felt	1
6.	Screw	1
7.	Front bushing	1
8.	Felt	1
9.	Hook complete	1
10.	Screw	3
11.	Bobbin	1
12.	Bobbin case complete	1
13.	Position finger	1
14.	Screw	1



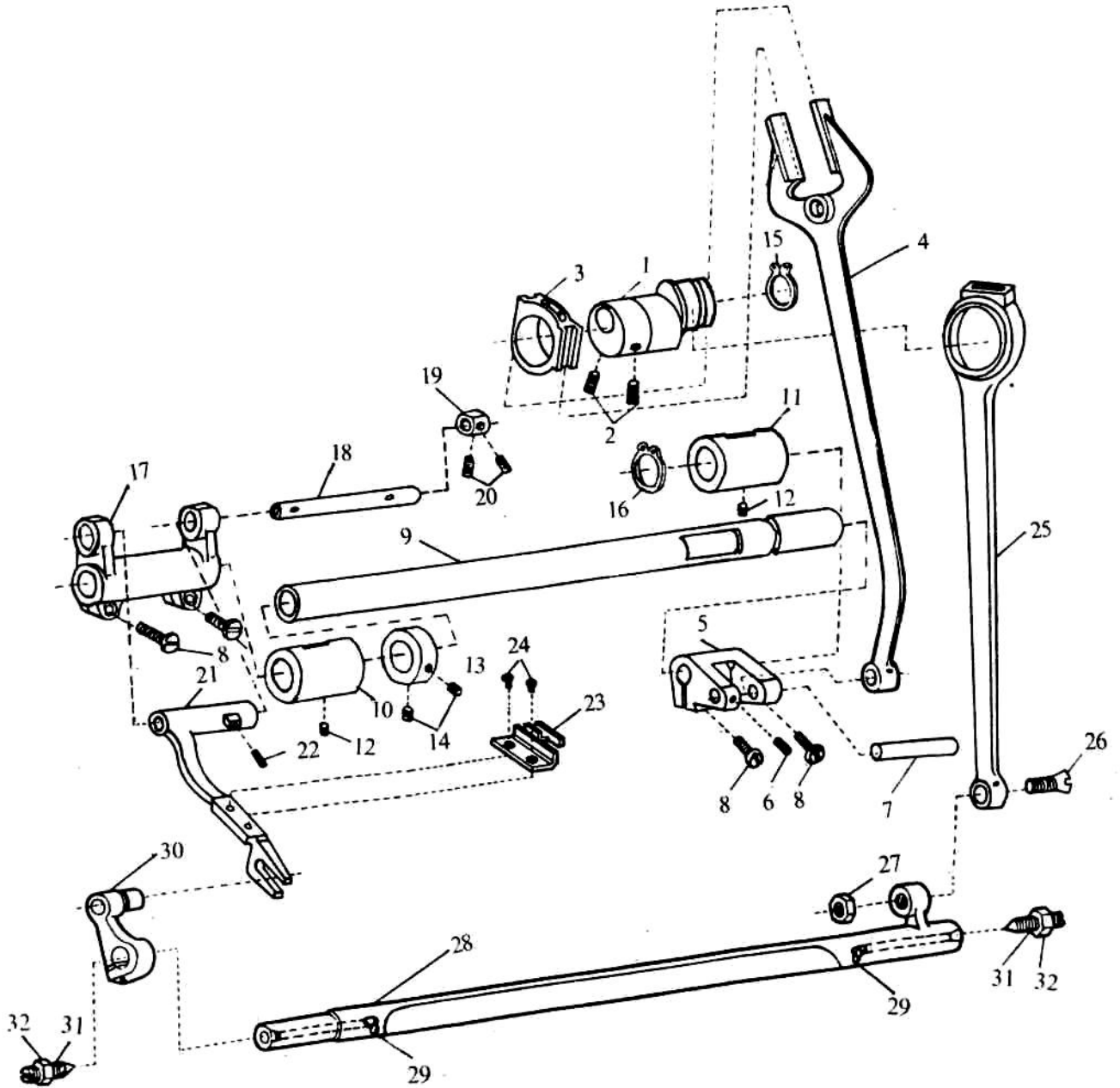
5.



## 5. Stitch Length Regulating

Item	Description	pcs
1.	Stitch length dial	1
2.	Stitch length adjusting screw bar	1
3.	Screw	1
4.	Rubber plug	1
5.	Stop pin	1
6.	Spring	1
7.	O-type ring	1
8.	Stitch length adjusting swing bar	1
9.	Set screw	1
10.	Hinge pin	2
11.	Screw	1
12.	Stitch length link	1
13.	Pin	1
14.	Set screw	1
15.	Reverse feed swing lever complete	1
16.	Screw	1
17.	Shaft for feed lever	1
18.	Screw	2
19.	Reverse feed lever	1
20.	Set screw	1
21.	Set screw	1
22.	Reset lever	1
23.	Screw	1
24.	Coil spring	1
25.	Set hook for spring	1
26.	Screw	1

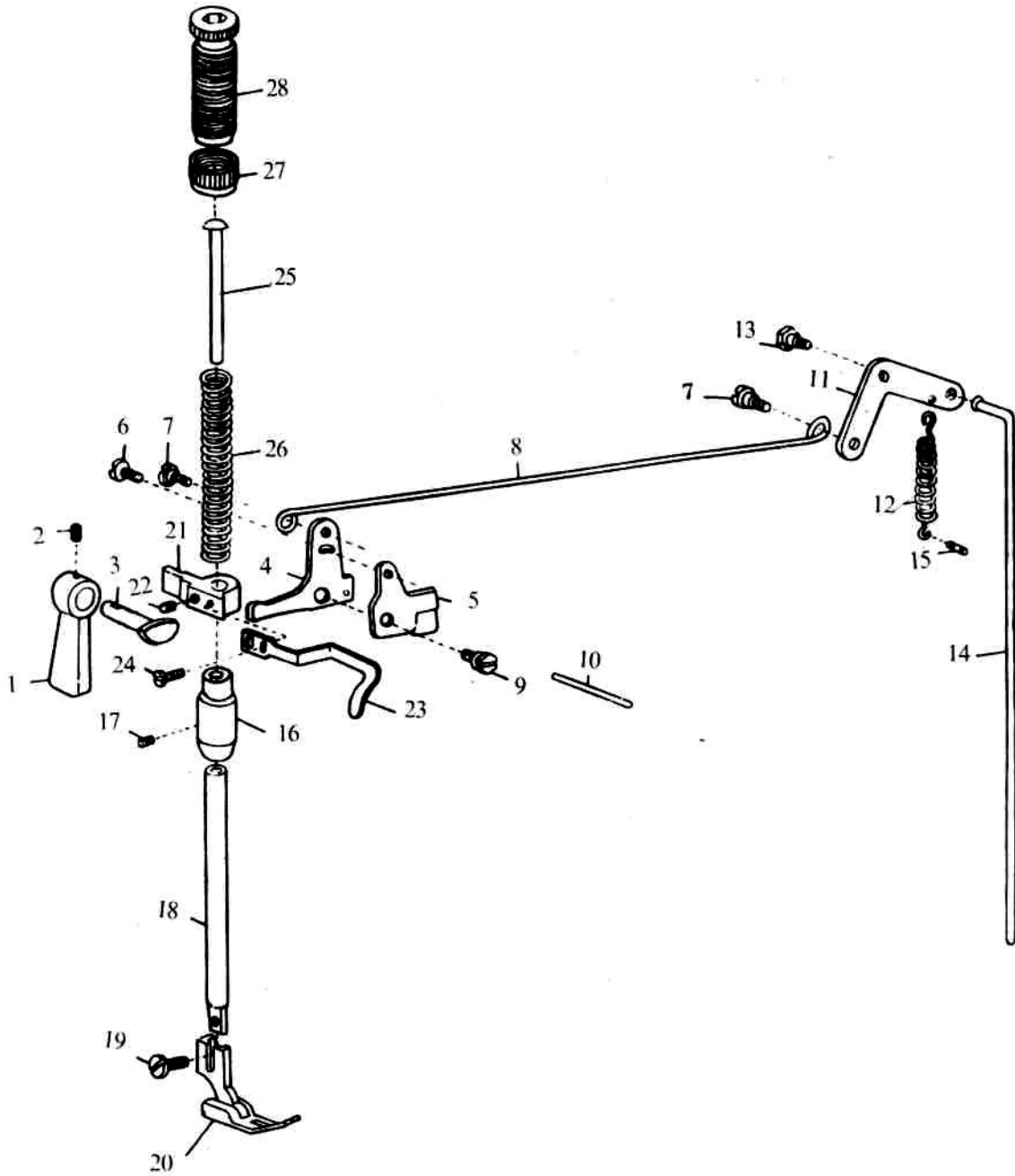
6.



## 6. Bottom Feed

Item	Description	pcs
1.	Feed cam	1
2.	Screw	2
3.	Fork slide block complete	1
4.	Fork	1
5.	Feed crank	1
6.	Screw	1
7.	Pin	1
8.	Set screw	2
9.	Feed shaft	1
10.	Front bushing	1
11.	Rear bushing	1
12.	Screw	2
13.	Collar for arm shaft	1
14.	Screw	2
15.	Stop ring	1
16.	Stop ring	1
17.	Front crank for feed	1
18.	Feed dog shaft	1
19.	Collar	1
20.	Screw	2
21.	Feed dog support	1
22.	Screw	2
23.	Feed dog	1
24.	Screw	2
25.	Link	1
26.	Screw	1
27.	Nut	1
28.	Shaft for feed dog lift	1
29.	Oil wick	2
30.	Feed dog lift crank complete	1
31.	Screw	1
32.	Nut	1

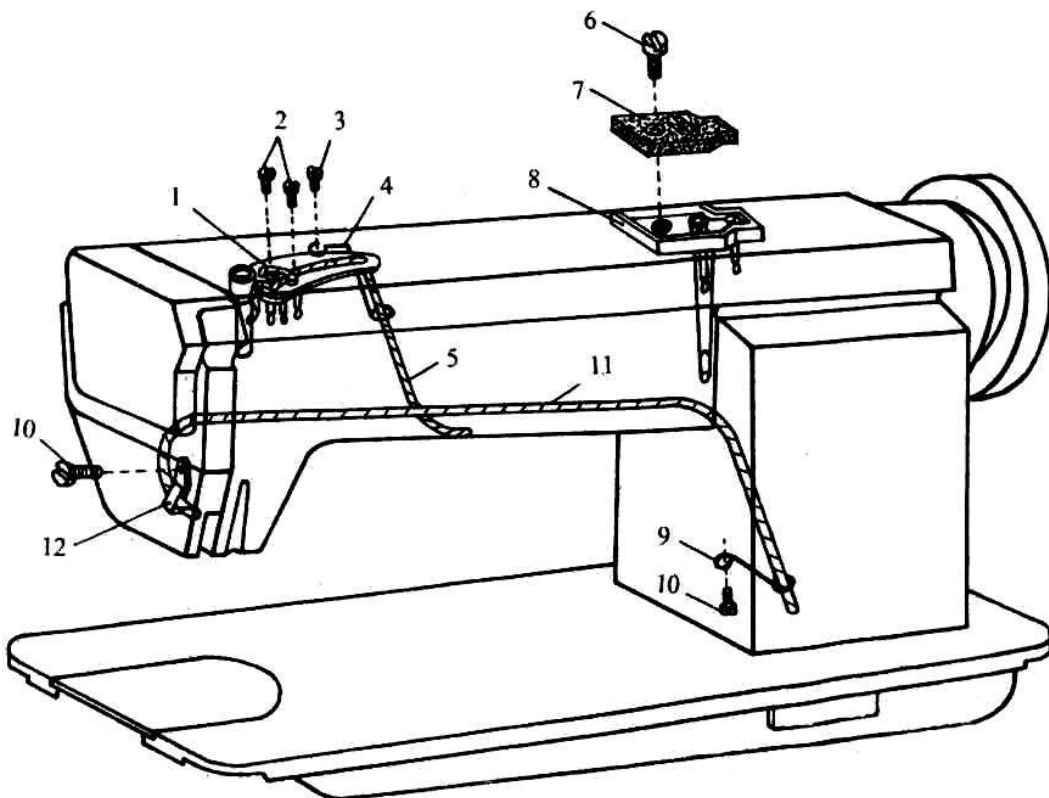
7.



## 7. Presser Bar

Item	Description	pcs
1.	Presser bar lifter	1
2.	Presser bar lifter position screw	1
3.	Presser bar lifting cam	1
4.	Knee lifter lever (left)	1
5.	Tension releasing cam	1
6.	Knee lifter lever (left) screw	1
7.	Knee lifter link hinge screw	1
8.	Knee lifter link	2
9.	Tension releasing cam hinge screw	1
10.	Tension releasing rod	1
11.	Knee lifter lever (left) (right)	1
12.	Knee lifter lever (left) (right) spring	1
13.	Knee lifter lever (left) (right) hinge screw	1
14.	Knee lifter lifting rod	1
15.	Knee lifter bell crank (right) spring connecting pin	1
16.	Presser bar bushing	1
17.	Presser bar bushing set screw	1
18.	Presser bar	1
19.	Screw	1
20.	Presser bar guide bracket	1
21.	Presser bar guide bracket set screw	1
22.	Thread finger	1
23.	Screw	1
24.	Reel for spring	1
25.	Presser bar spring	1
26.	Pressure regulating thumb screw	1
27.	Pressure regulating thumb screw lock nut	1
28.	Screw	1

8.

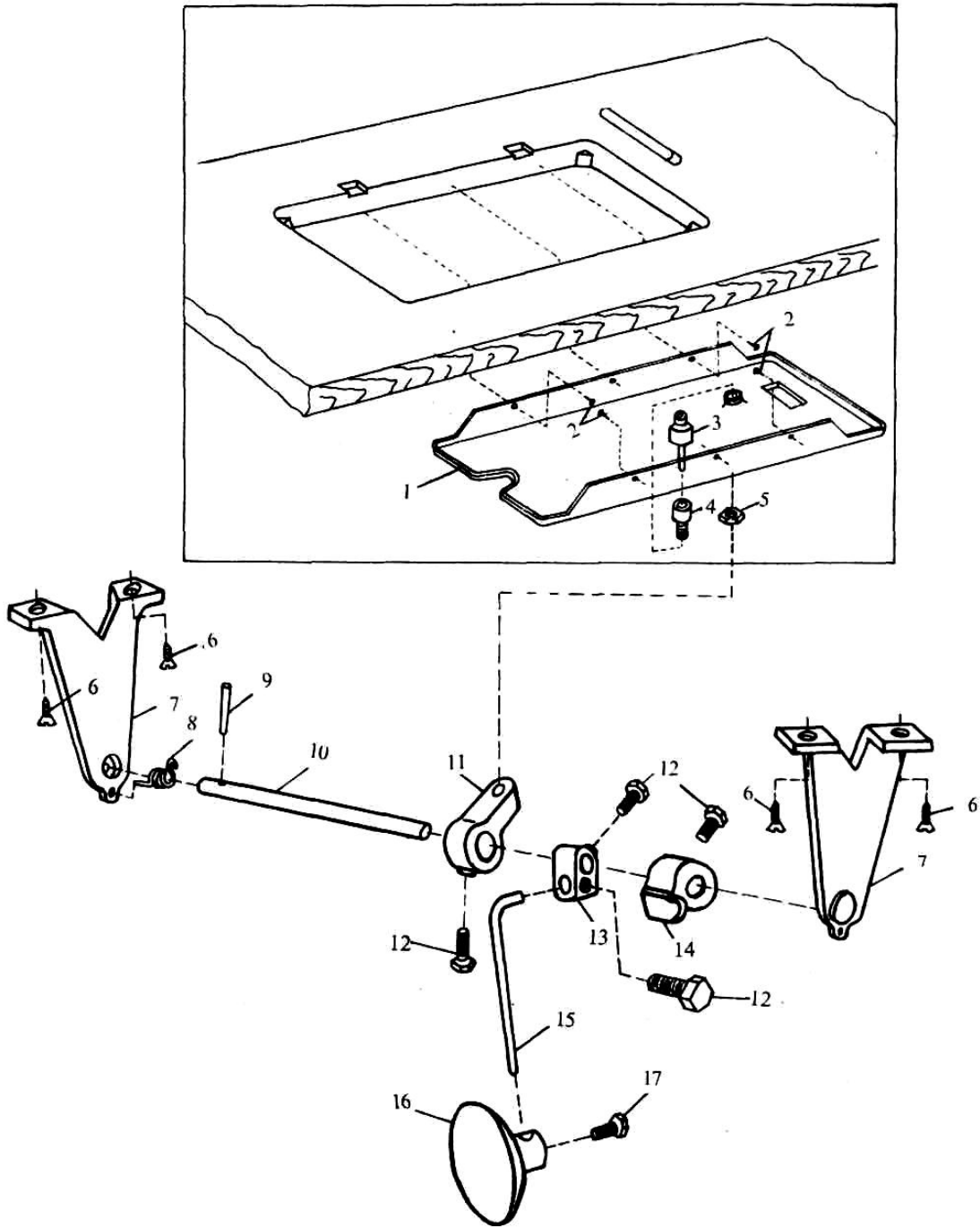


## 8. Lubrication

Item	Description	pcs
1.	Oil wick fixing plate assembly	1
2.	Oil wick fixing plate screw	2
3.	Oil wick fixing hook screw	1
4.	Oil wick fixing hook	1
5.	Oil wick of oil wick fixing plate	1
6.	Small oil reservoir screw	1
7.	Small oil reservoir oil pad	1
8.	Small oil reservoir	1
9.	Long oil wick fixing hook	1
10.	Long oil wick fixing hook screw	2
11.	Long oil wick	1
12.	Long oil wick clamp	1



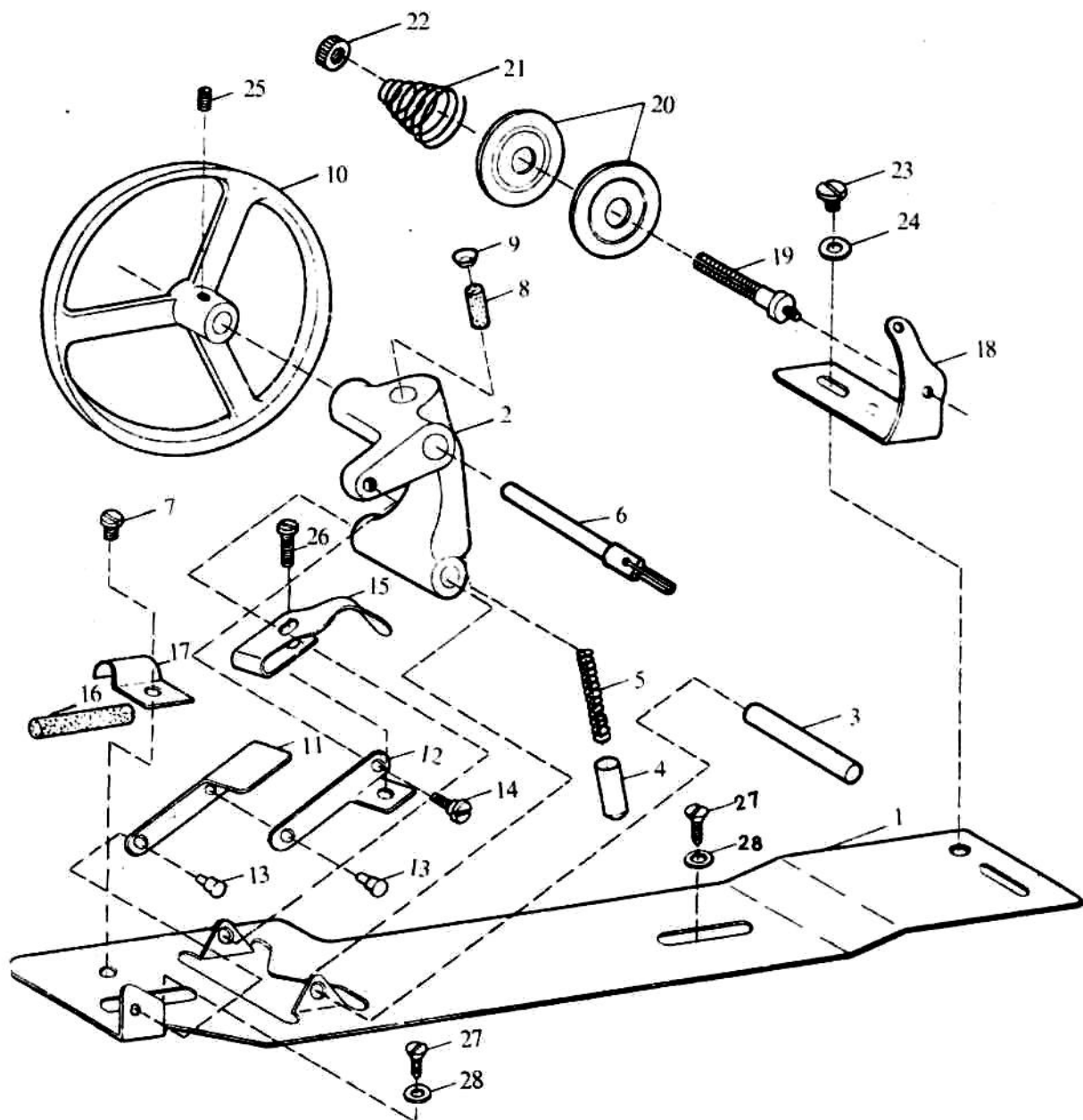
9.



## 9. Drip Pan And Knee Lifter

Item	Description	pcs
1.	Drip pan	1
2.	Nail	6
3.	Knee lifter pushing rod	1
4.	Knee lifter pushing rod guide bushing	1
5.	Hexagon nut	1
6.	Round head wood screw	4
7.	Knee lifter rock shaft bracket	2
8.	Knee lifter rock shaft spring	1
9.	Knee lifter rock shaft spring pin	1
10.	Knee lifter rock shaft	1
11.	Knee lifter lifting crank	1
12.	Knee lifter bell crank joint set screw	4
13.	Knee lifter bell crank joint	1
14.	Knee lifter rock shaft stop dog	1
15.	Knee lifter rod	1
16.	Knee lifter knee plate assembly	1
17.	Knee lifter knee plate set screw	1

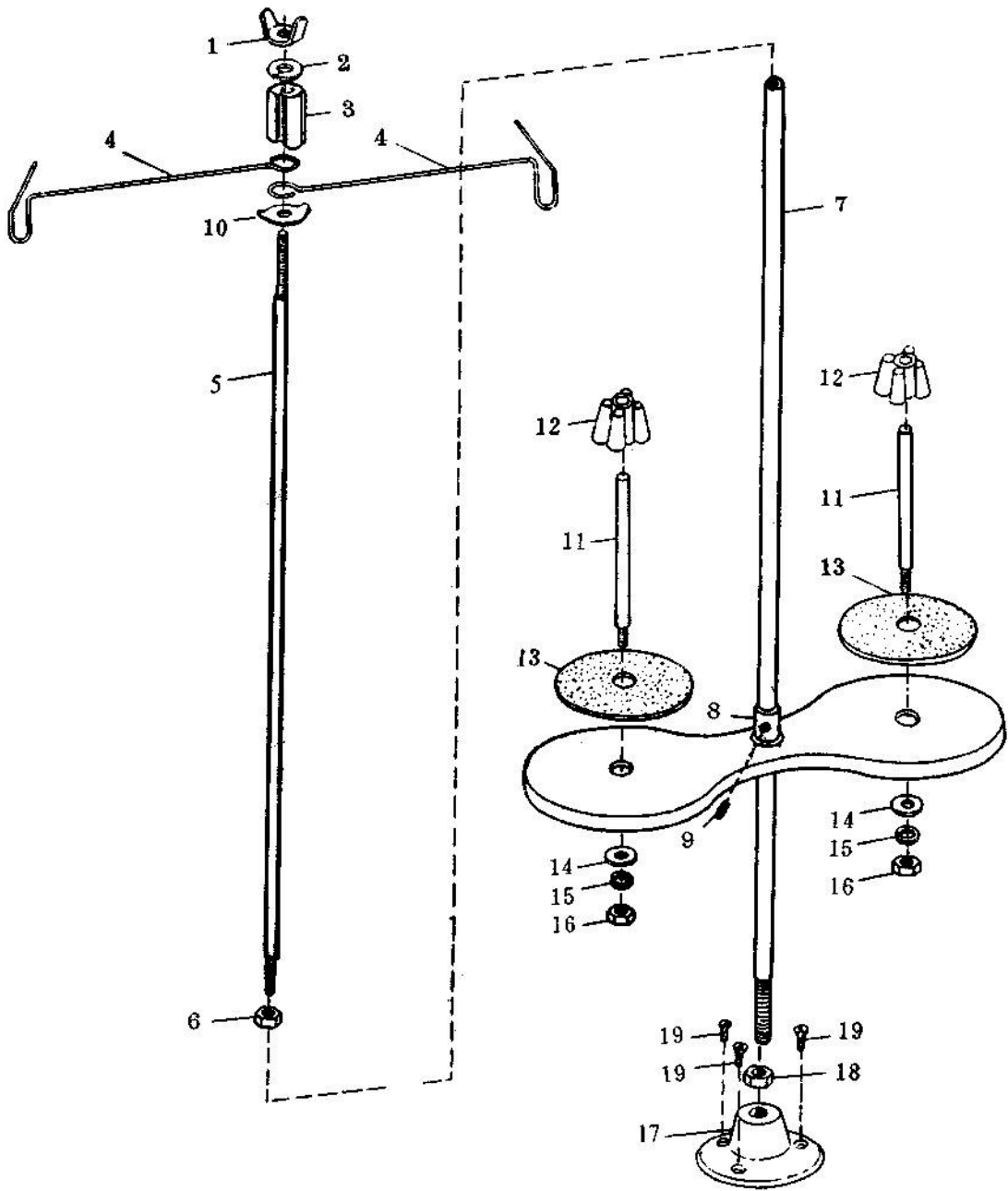
10.



## 10. Bobbin Winder

Item	Description	pcs
1.	Bobbin winder base	1
2.	Bobbin winder frame	1
3.	Bobbin winder frame hinge pin	1
4.	Bobbin winder spring plunger	1
5.	Bobbin winder spring	1
6.	Bobbin winder spindle	1
7.	Bobbin winder brake stripe clamping screw	1
8.	Bobbin winder frame oil wick	1
9.	Bobbin winder frame oil wick cap	1
10.	Bobbin winder pulley	1
11.	Bobbin winder stop latch thumb lever	1
12.	Bobbin winder stop latch trip lever	1
13.	Bobbin winder rivet	2
14.	Bobbin winder stop latch trip lever hinge screw	1
15.	Bobbin winder stop latch	1
16.	Bobbin winder brake stripe	1
17.	Bobbin winder brake stripe clamp	1
18.	Bobbin winder tension bracket	1
19.	Bobbin winder tension stud	1
20.	Bobbin winder tension disc	2
21.	Bobbin winder tension spring	1
22.	Bobbin winder tension stud thumb nut	1
23.	Bobbin winder tension bracket screw	1
24.	Washer	1
25.	Bobbin winder pulley set screw	1
26.	Bobbin winder stop latch screw	1
27.	Bobbin winder wood screw	2
28.	Washer	2

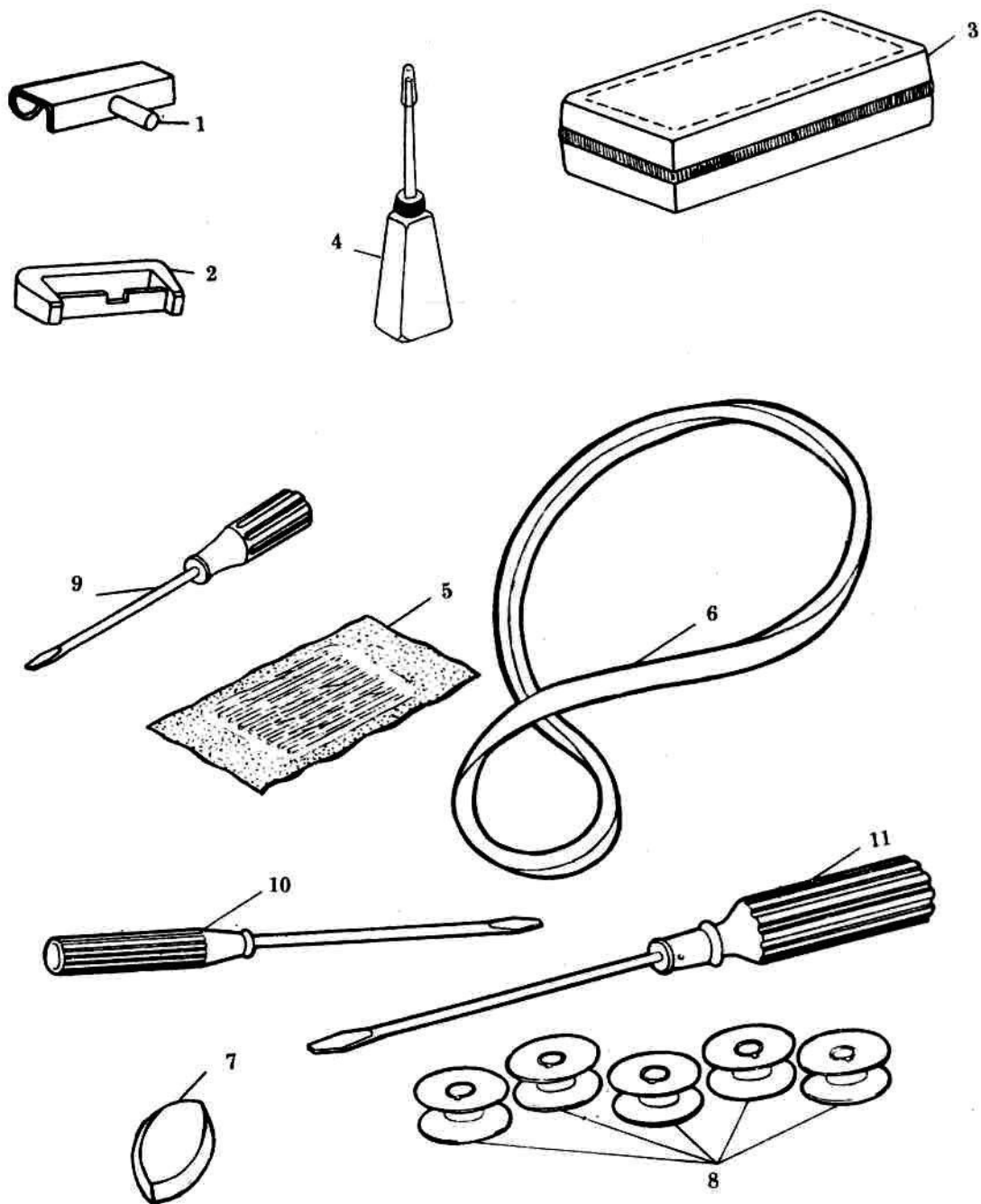
11.



## 11. Spool Stand

Item	Description	pcs
1.	Wing nut	1
2.	Spring washer	1
3.	Thread guide position cup	1
4.	Thread guide	2
5.	Thread guide rod	1
6.	Thread guide rod nut	1
7.	Spool rest rod	1
8.	Spool rest rod sleeve	1
9.	Spool rest rod sleeve set screw	1
10.	Thread guide position plate	1
11.	Spool pin	2
12.	Spool stand	2
13.	Felt pad	2
14.	Spool pin washer	2
15.	Spool pin lock washer	2
16.	Spool pin nut	2
17.	Spool stand	1
18.	Spool rest rod nut	1
19.	Spool stand wood screw	3

12.



## 12. Accessories

Item	Description	Pcs
1.	Arm table connecting hook	2
2.	Arm table connecting hook vibration proof prolection hool	2
3.	Accessory box	1
4.	oil can	1
5.	Needle	1
6.	Triangle belt	1
7.	Arm vibration proof washer block	2
8.	Bobbin	5
9.	Screw driver (small)	1
10.	Screw driver (middle)	1
11.	Screw driver (big)	1