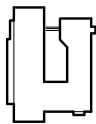




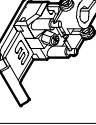

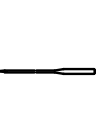

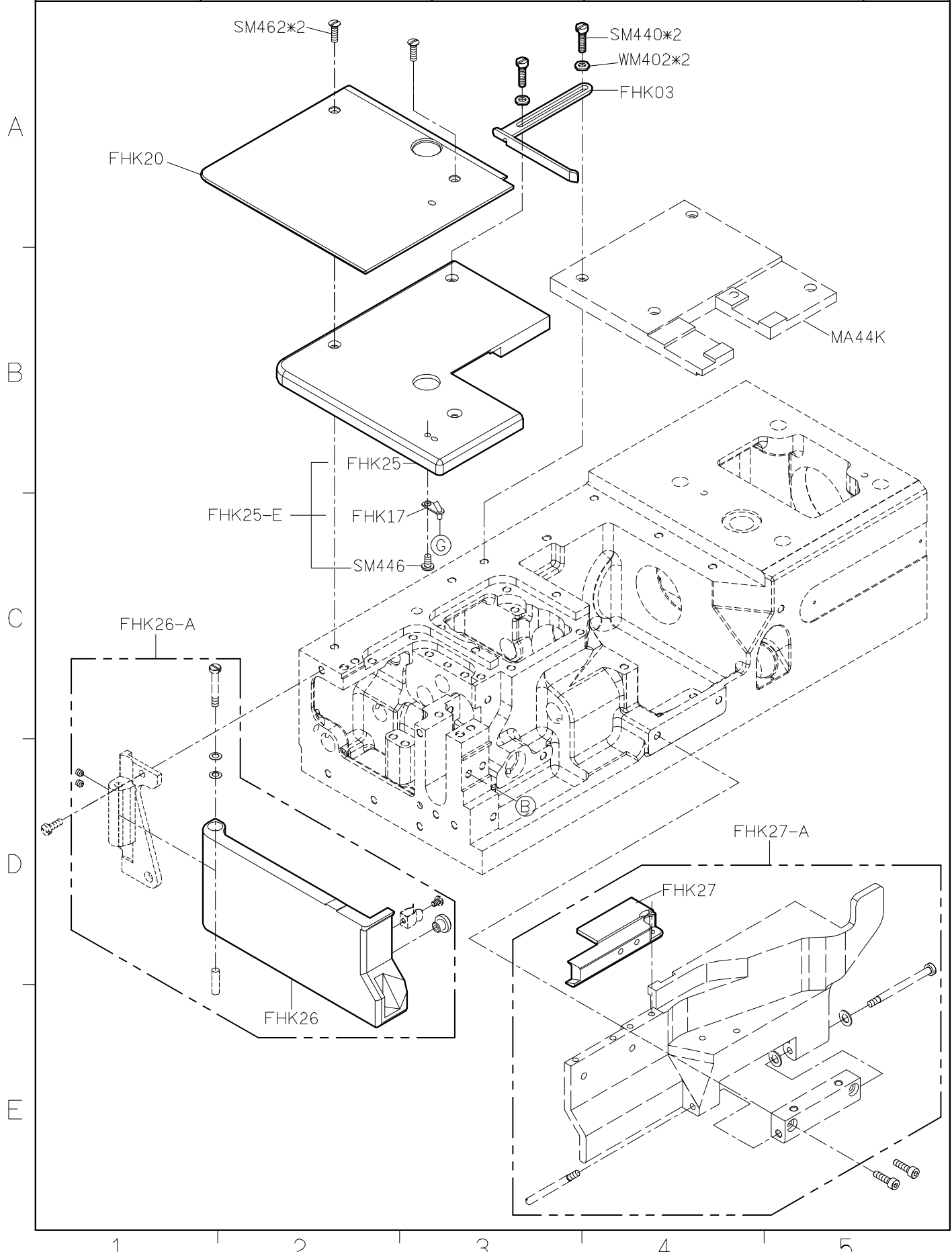
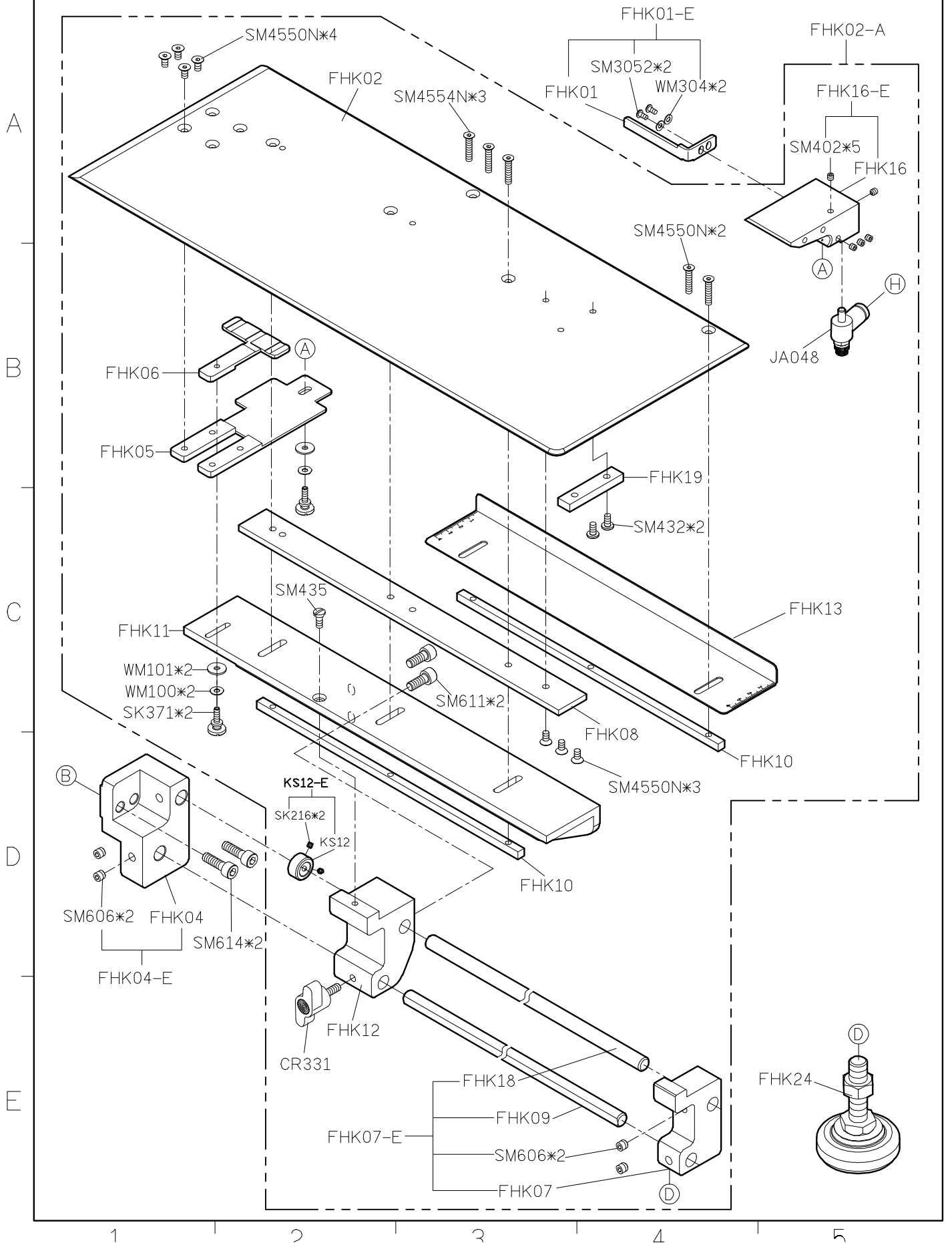


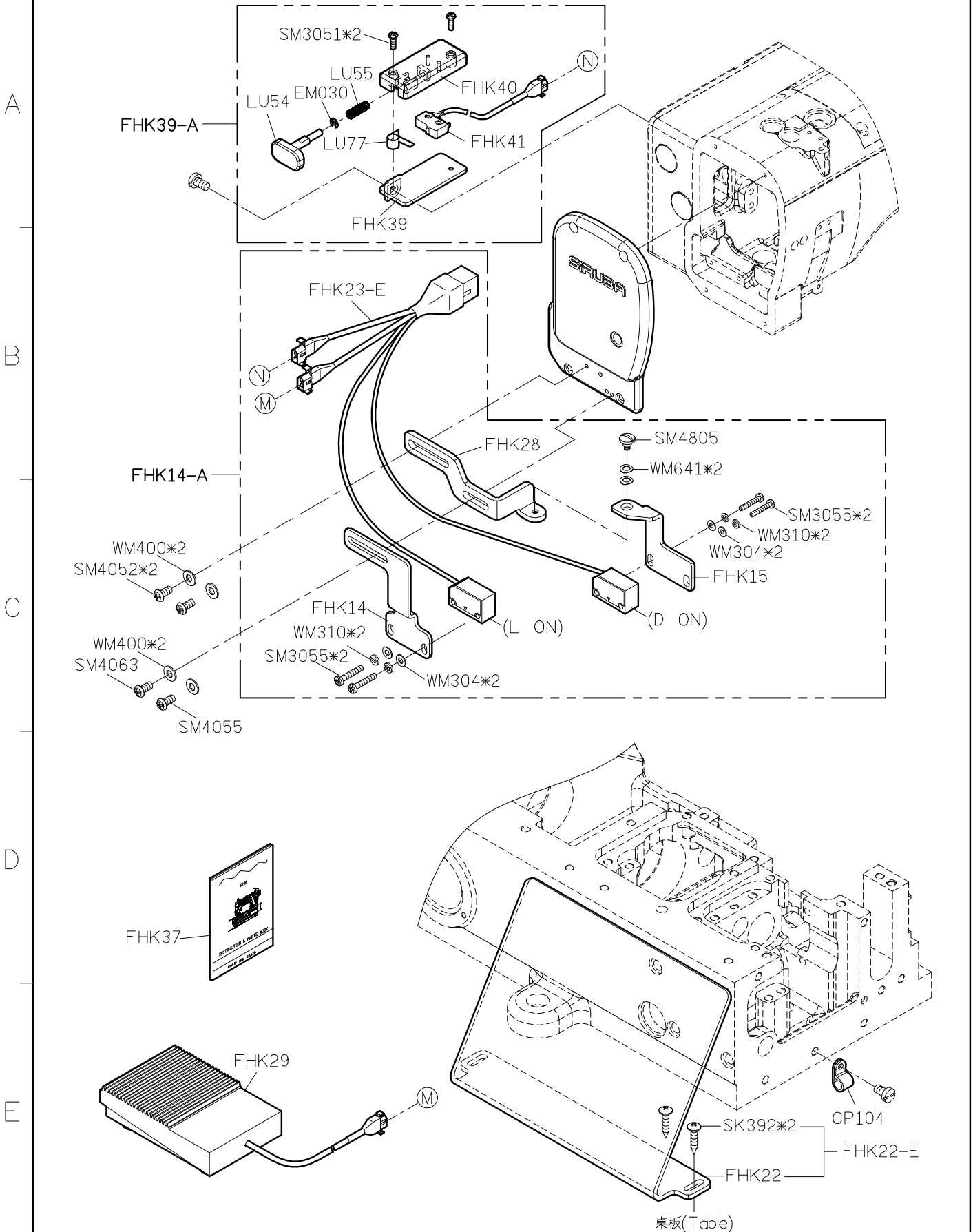
| SIRUBA<br>GAGE PARTS LIST   |   | Series  |  | Remark  |   | Page  | Date  |   |   |              |
|---|---|---|--|---|---|---|---|---|---|--------------|
|   |   | F007KD  |  | USE FOR FFT   |   | 1/1   | 2012/08/20  |   |   |              |
|  |  |  |  |  |  |  |  |  |  |              |
| MODEL   | SUB-CLASS   | NEEDLE CLAMP  | NEEDLE PLATE   | MAIN FEED DOG   | DIFF. FEED DOG  | TOP FEED DOG  | PRESSER FOOT  | LOOPER  | SPREADER  | NEEDLE       |
| 機 型   | 規 格   | 針 座   | 針 板  | 主送具   | 差送具   | 上送具   | 壓 具   | 勾 針   | 上 叉   | 使用針          |
| W121/FFT/FHA<br>/UTG(UTJ)   | 240<br>248<br>356<br>364  | M5240<br>M5248<br>M5356<br>M5364  | E7240FL<br>E7248FL<br>E7356FL<br>E7364FL   | D7240F<br>D7356F  | H7240F<br>H7356F  | F7240F<br>F7356F  | P7240F-A<br>P7248F-A<br>P7356F-A<br>P7364F-A  | ME28  | MH41  | UYX128GAS#10 |
| W122/FFT/FHA  | 240<br>248<br>356<br>364  | M5240<br>M5248<br>M5356<br>M5364  | E7240FM<br>E7248FM<br>E7356FM<br>E7364FM   | D7240F<br>D7356F  | H7240F<br>H7356F  | F7240F<br>F7356F  | P7240F-A<br>P7248F-A<br>P7356F-A<br>P7364F-A  | ME28  | MH41  | UYX128GAS#10 |
| W122/FFT/FHA<br>/UTG(UTJ)   | 240<br>248<br>356<br>364  | M5240<br>M5248<br>M5356<br>M5364  | E7240FM<br>E7248FM<br>E7356FM<br>E7364FM   | D7240F<br>D7356F  | H7240F<br>H7356F  | F7240F<br>F7356F  | P7240F-A<br>P7248F-A<br>P7356F-A<br>P7364F-A  | ME28  | MH41  | UYX128GAS#10 |
| U131/FFT/FHA<br>/FHK  | 248<br>256<br>264   | M5248<br>M5356<br>M5364   | E7248FL<br>E7356FL<br>E7364FL  | D7240F<br>D7356F<br>D7356F  | H7240F<br>H7356F<br>H7356F  | F7240F<br>F7356F<br>F7356F  | P7248U-A<br>P7256U-A<br>P7264U-A  | ME28  | —   | UYX128GAS#10 |
| U132/FFT/FHA<br>/FHK  | 248<br>256<br>264   | M5248<br>M5356<br>M5364   | E7248FM<br>E7356FM<br>E7364FM  | D7240F<br>D7356F<br>D7356F  | H7240F<br>H7356F<br>H7356F  | F7240F<br>F7356F<br>F7356F  | P7248U-A<br>P7256U-A<br>P7264U-A  | ME28  | —   | UYX128GAS#10 |

| SIRUBA<br>PARTS LIST | Series | Parts Group | Subclass / Remark | Page       |
|----------------------|--------|-------------|-------------------|------------|
|                      | F007KD | FHK         |                   | 1/6        |
|                      |        |             |                   | Date       |
|                      |        |             |                   | 2012/08/20 |





| SIRUBA<br>PARTS LIST | Series | Parts Group | Subclass / Remark | Page       |
|----------------------|--------|-------------|-------------------|------------|
|                      | F007KD | FHK         |                   | 3/6        |
|                      |        |             |                   | Date       |
|                      |        |             |                   | 2012/08/20 |



1

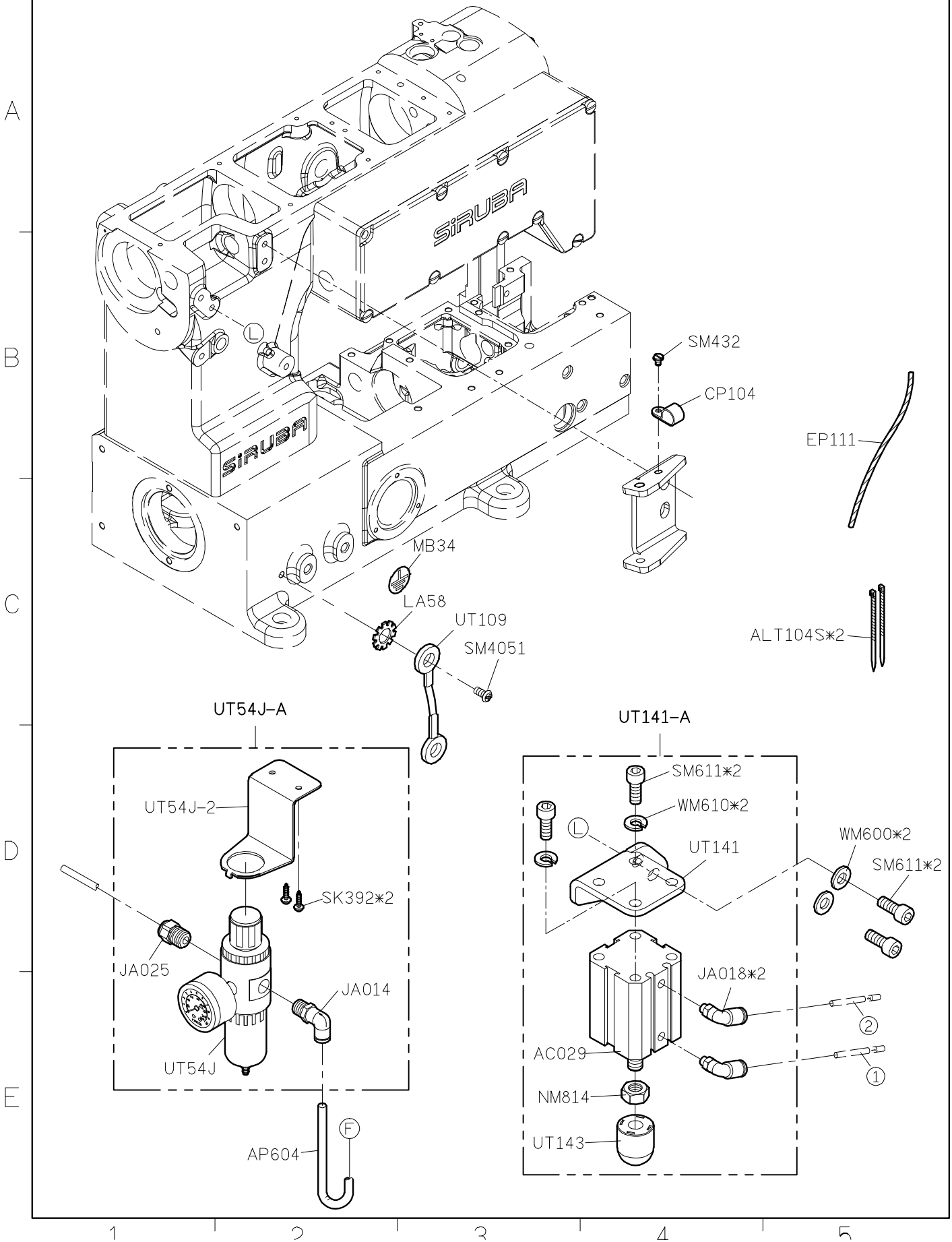
2

3

4

5

| SIRUBA<br>PARTS LIST | Series | Parts Group | Subclass / Remark | Page       |
|----------------------|--------|-------------|-------------------|------------|
|                      | F007KD | FHK         |                   | 4/6        |
|                      |        |             |                   | Date       |
|                      |        |             |                   | 2012/08/20 |



| SIRUBA<br>PARTS LIST | Series | Parts Group | Subclass / Remark | Page       |
|----------------------|--------|-------------|-------------------|------------|
|                      | F007KD | FHK         |                   | 5/6        |
|                      |        |             |                   | Date       |
|                      |        |             |                   | 2012/08/20 |

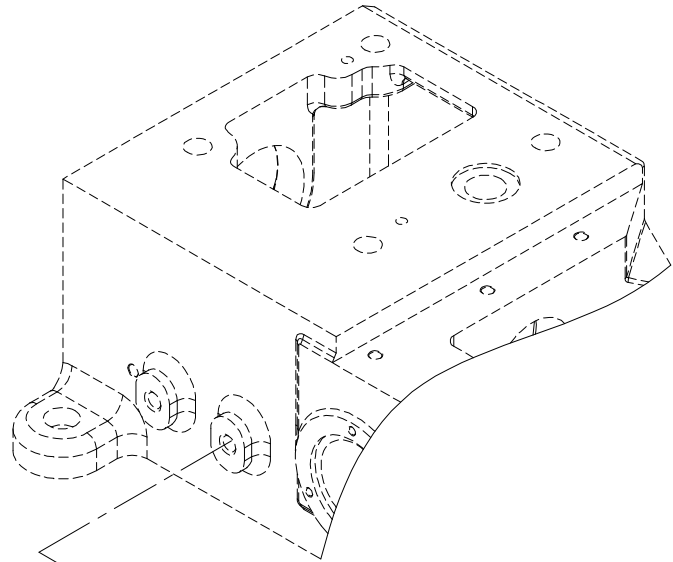
A

B

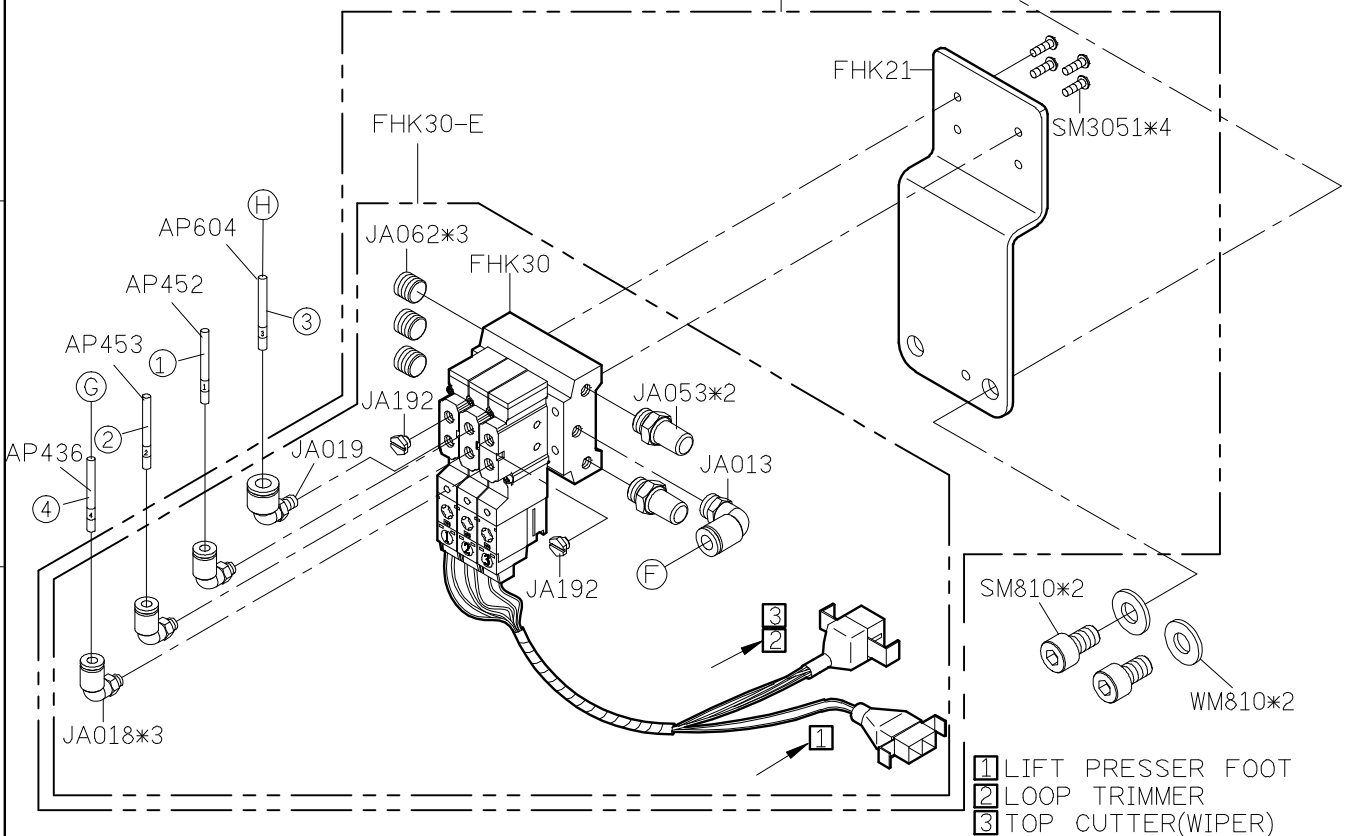
C

D

E



FHK30-A



- 1 LIFT PRESSER FOOT
- 2 LOOP TRIMMER
- 3 TOP CUTTER(WIPER)

1

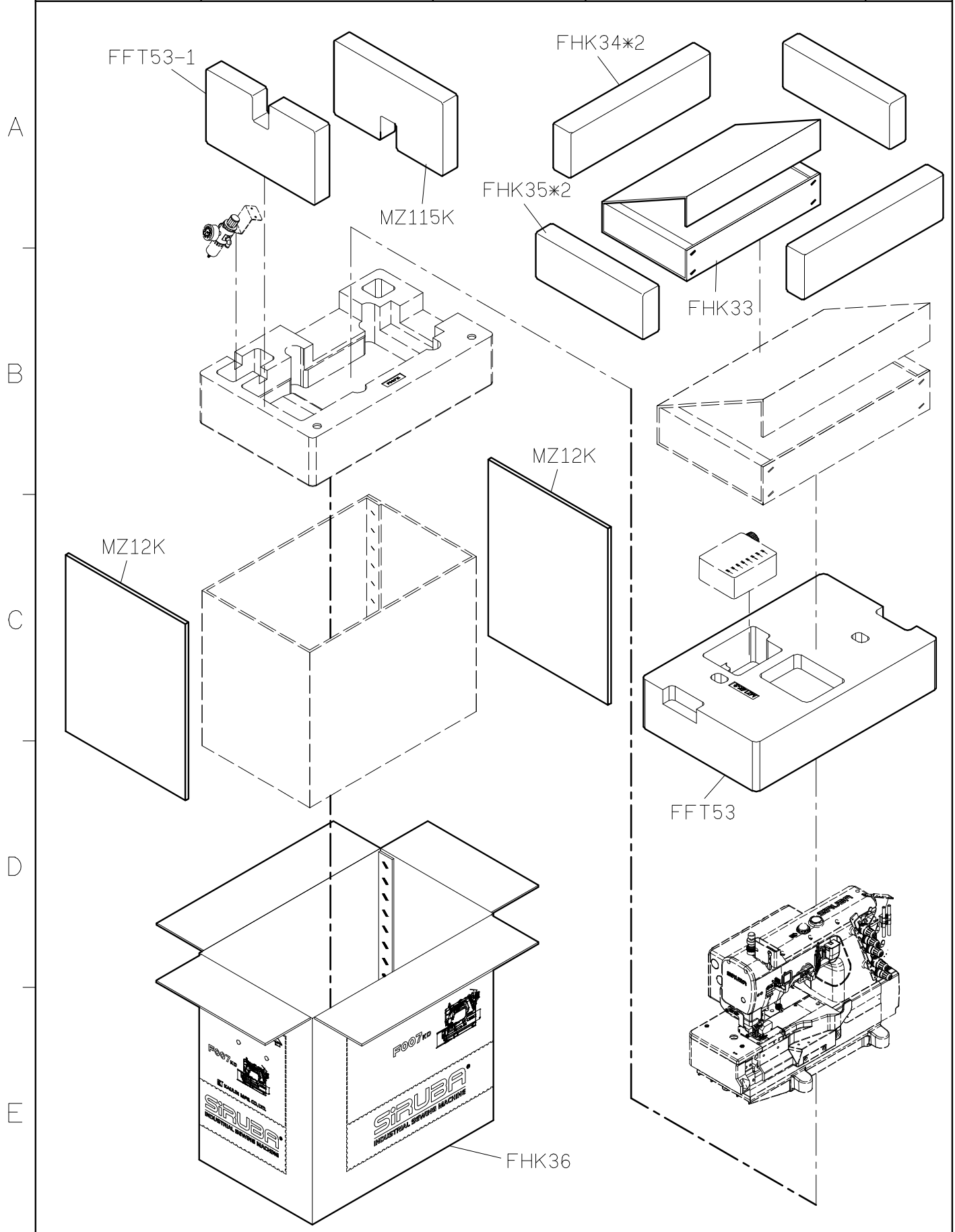
2

3

4

5

| SIRUBA<br>PARTS LIST | Series | Parts Group | Subclass / Remark | Page       |
|----------------------|--------|-------------|-------------------|------------|
|                      | F007KD | FHK         |                   | 6/6        |
|                      |        |             |                   | Date       |
|                      |        |             |                   | 2012/08/20 |



**SIRUBA**

**TABLE  
CUT - OUT**

**Series**

**F007KD**

**Item Code**

**F007K-T2**

**Subclass / Remark**

**For FHK Model**

**Mounting**

**Semi-submerged**

**Date**

**2012/08/20**

單位/UNIT : mm  
重量/WEIGHT : 16.5kg±5%  
所有尺寸公差/TOLERANCE : ±2

