

1a EDIZIONE-EDITION 4/95 **n. 686**

MACCHINA FALDATRICE
LAYING-UP MACHINE
CHARIOT PLIEUR

EFN 828

E SOTTOCLASSI
AND SUB CLASS
ET SOUS-CLASSES

NELLA RICHIESTA DI PARTI DI RICAMBIO, CITARE SEMPRE IL SIMBOLO DEL PARTICOLARE ED IL MODELLO DELLA MACCHINA.

NELLA RICHIESTA DI COMPONENTI ELETTRICI ED ELETTRONICI PRIVI DI SIMBOLI, CITARE IL NOME DELLA CASA COSTRUTTRICE E LE CARATTERISTICHE STAMPIGLIATE SUL PEZZO.

NOTA: I SIMBOLI CHE TERMINANO CON .../S SONO SINISTRI MENTRE QUELLI CHE TERMINANO CON .../D SONO DESTRI

*WHEN ORDERING SPARE PARTS
ALWAYS STATE THE PARTS SYMBOL IN QUESTION AND THE MACHINE MODEL.*

*WHEN ORDERING ELECTRIC AND ELECTRONIC SPARE PARTS WITHOUT SYMBOLS STATE MANUFACTURING COMPANY
AND SPECIFICATION MARKED ON THE PARTS.*

NOTE THAT WHEN SYMBOLS WITH END .../S ARE LEFT AND THOSE WITH THE END .../D ARE RIGHT

A LA COMMANDE DES PIECES DETACHEES, INDIQUER TOUJOURS LE SYMBOLE DE LA PIECE ET LE MODELE DE LA MACHINE.

*A LA COMMANDE DES PIECES ELECTRIQUES ET ELECTRONIQUES SANS SYMBOLES, CITER LE NOM DU CONSTRUCTEUR
ET LES CARACTERISTIQUES IMPRIMEES SUR LA PIECE.*

NOTE: LES SYMBOLES QUI FINISSENT AVEC LA.../S SONT A GAUCHE PENDANT CEUX QUI FINISSENT AVEC .../D SONT A DROITE

SOMMARIO - SUMMARY - SOMMAIRE

| TAV.N. TAB.N. | DESCRIZIONE | DESCRIPTION | DESCRIPTION |
|------------------|--|---|---|
| 1 | TELAIO - COPERTURE | FRAME - COVERS | BATI - CARTERS |
| 2 | GRUPPO RUOTE | WHEELS ASSEMBLY | GROUPE ROUES |
| 3 | MOTORE PRINCIPALE | MAIN MOTOR | MOTEUR PRINCIPAL |
| 4 | GRUPPO SALITA - DISCESA | LIFTER ASSEMBLY | GROUPE ELEVATEUR |
| 5 | TELAIO PORTAPEZZE | FRAME FOR ROLLS HOLDER | BATI POUR PORTE TISSU |
| 6 | SUPPORTO PORTA PEZZE | SUPPORT FOR ROLLS HOLDER | SUPPORTE POUR PORTE TISSU |
| 7 | RULLI ALIMENTAZIONE TESSUTO (EFN 828 SA) | ROLLERS FOR FABRIC ALIMENTATION (EFN 828 SA) | ROULEAUX POUR ALIMENTATION DU TISSU (EFN 828 SA) |
| 8 | GRUPPO TAGLIERINA | CUTTING ASSEMBLY | GROUPE DISPOSITIF DE COUPE |
| 9 | MOTORE TRASLAZIONE TAGLIERINA | MOTOR FOR CUTTER TRANSLATION | MOTEUR POUR LA TRASLATION DU DISPOSITIF DE COUPE |
| 10 | GRUPPO BLOCCAGGIO TESSUTO | FABRIC STOP ASSEMBLY | GROUPE ARRET TISSU |
| 11 | SCIVOLO ANTERIORE | FRONT SLIDE | GLISSIERE ANTERIEURE |
| 12 | PINZA ANTERIORE | FRONT CLAMP | PINCE ANTERIEURE |
| 13 | GRUPPO CINGHIE SVOLGIMENTO TESSUTO (EFN 828 MATIC) | BELTS FABRIC UNWINDING ASSEMBLY (EFN 828 MATIC) | GROUPE COURROIE DEROULEMENT TISSU (EFN 828 MATIC) |
| 14 | RULLI ALIMENTAZIONE TESSUTO (EFN 828 MATIC) | ROLLER FOR FABRIC ALIMENTATION (EFN 828 MATIC) | ROULEAUX POUR ALIMENTATION DU TISSU (EFN 828 MATIC) |
| 15 | CARICATORE (EFN 828 MATIC) | LOADER (EFN 828 MATIC) | CHARGEUR (EFN 828 MATIC) |
| 16 | CUPOLA | CUP | COUPOLE |
| 17 | SUPERALIMENTATORE (EFN 828 SA) | SUPER FEEDER (EFN 828 SA) | SUPER ALIMENTATEUR (EFN 828 SA) |
| 18 | CUPOLA (EFN 828 SA) | CUP (EFN 828 SA) | COUPOLE (EFN 828 SA) |
| 19 | GRUPPO MODULI ELETTRICI | ELECTRICAL MODULES ASSEMBLY | GROUPE MODULES ELECTRIQUES |
| 20 | PANNELLO COMANDI | CONTROL PANEL | PANNEAU DE COMMANDE |
| 21 | DISPOSITIVO (P1) | DEVICE (P1) | DISPOSITIF (P1) |
| 22 | AVANTRENO (ZIG-ZAG) | FORECARRIAGE (ZIG-ZAG) | AVANTRAIN (ZIG-ZAG) |
| 23 | PINZA ANTERIORE (ZIG-ZAG) | FRONT CLAMP (ZIG-ZAG) | PINCE ANTERIEURE (ZIG-ZAG) |
| 24 | PINZA POSTERIORE (ZIG-ZAG) | REAR CLAMP (ZIG-ZAG) | PINCE POSTERIEURE (ZIG-ZAG) |
| 25 | GRUPPO RULLI (ZIG-TUB) | ROLLERS ASSEMBLY (ZIG-TUB) | GROUPE ROULEAUX (ZIG-TUB) |
| 26 | CARICATORE (610) | LOADER (610) | CHARGEUR (610) |
| 27 | DISPOSITIVO (C.M.) | DEVICE (C.M.) | DISPOSITIF (C.M.) |
| 28 | TORRETTA GIREVOLE | MACHINE CARRIAGE ROTATION | TOUR PIVOTANT |
| 29 | DISPOSITIVO (CAR-TO) | DEVICE (CAR-TO) | DISPOSITIF (CAR-TO) |
| 30-31 | SUPPORTO SCORREVOLE PER PINZA ANTERIORE | SLIDING SUPPORT FOR FRONT CLAMP | SUPPORT COULISSANT POUR PINCE ANTERIEURE |
| 32 | DOPPIA PEZZA (EFN 828 MATIC) | DOUBLE ROLL LOADING (EFN 828 MATIC) | DOUBLE PIECE (EFN 828 MATIC) |
| 33 | DOPPIA PEZZA | DOUBLE ROLL LOADING | DOUBLE PIECE |
| | | | |
| | | | |
| | | | |

SIMBOLOGIA E DESCRIZIONE COMPONENTI ELETTRICI EFN 828

| | | | |
|------|--|-------|---|
| A 1 | Scheda SF 176C | SM 8 | Micro Emergenza Pedana |
| A 2 | Portascheda SF 177B | SM 9 | Micro Tastatore Salita |
| A 3 | Portascheda Emergenza | SM 10 | Micro Arresto Tagliatore SX |
| F | Fusibile 5A | SM 11 | Micro Arresto Tagliatore DX |
| G 1 | Tachimetrica Motore Principale | SM 12 | Micro Sicurezza Caricatore |
| G 2 | Tachimetrica Motore Cinghie | SM 13 | Micro Arresto Salita Caricatore |
| G 3 | Tachimetrica Motore Rullo Verde | SM 14 | Micro Arresto |
| G 4 | Tachimetrica Motore Rulli Taglio | SM 15 | Micro Manopola Avanti |
| G 5 | Encoder XCH638-5-B-CM-R | SM 16 | Micro Manopola Indietro |
| H 1 | Luce Inserzione | SP 1 | Pulsante Inserzione |
| H 2 | Luce Spia Marcia | SP 2 | Selettore Fotocellula |
| H 3 | Luce Spia Fotocellula | SP 3 | Selettore Salita Discesa |
| K 1 | Teleruttore Emergenza | SP 4 | Selettore Carico Scarico Caricatore |
| K 2 | Teleruttore Allineamento DX | SP 5 | Pulsante Affilatura |
| K 3 | Teleruttore Allineamento SX | SP 6 | Pulsante Arresto |
| K 4 | Teleruttore Salita | SP 7 | Selettore Taglio Manuale |
| K 5 | Teleruttore Discesa | SP 8 | Selettore Taglio Zig Zag |
| K 6 | Teleruttore Tagliatore DX | SP 9 | Selettore Manuale Automatico |
| K 8 | Teleruttore Salita Caricatore | SP 10 | Selettore Ritorno Veloce |
| K 9 | Teleruttore Discesa Caricatore | SP 11 | Pulsante Marcia |
| KF 1 | Fotocellula Allineamento DX | SP 12 | Selettore Svolge Riavvolge |
| KF 2 | Fotocellula Allineamento SX | SP 13 | Pulsante Reset Ciclo |
| KF 3 | Fotocellula Fine Pezza | SP 14 | Selettore Inversione Stesura |
| KR 2 | Scheda Emergenza | SP 16 | Pulsante Emergenza |
| M 1 | Motore Principale | T1 VA | Trasformatore TM 125VA P110 |
| M 2 | Motore Rotazione Rullo Verde | TT | Trasformatore 380-110V 1500VA |
| M 3 | Motore Rotazione Cinghie | U 1 | Scheda Motore Principale |
| M 4 | Motore Rotazione Rulli Taglio | U 2 | Scheda Motore Alimentazione Rullo Verde |
| M 5 | Motore Rotazione Lama | U 3 | Scheda Motore Alimentazione Cinghie |
| M 6 | Motore Rotazione Taglio | U 5 | Raddrizzatore Trifase Eccitazione MP |
| M 7 | Motore Allineamento Fotocellula | U 6 | Raddrizzatore Motore Lama Taglio |
| M 8 | Motore Salita Discesa | U 7 | Raddrizzatore Magnete |
| M 9 | Motore Caricatore | U 8 | Alimentatore Freno Magnetico |
| RR | Reostato Regolazione Velocità Rulli | XA | Morsetti Apparecchiatura |
| RRV | Reostato Regolazione Velocità Automatica | XC | Connettore Computer |
| RRVM | Reostato Regolazione Velocità Manuale | XPE | Connettore Parte Elettronica |
| SM 1 | Micro Emergenza | XPS | Connettore Portaschede SF176C CM92 |
| SM 4 | Arresto Allineamento Fotocellula DX | XRT | Connettore Rulli Tagliatore |
| SM 5 | Arresto Allineamento Fotocellula SX | XT | Connettore Tagliatore |
| SM 6 | Micro Arresto Salita | Y 1 | Freno Magnetico |
| SM 7 | Micro Arresto Discesa | Y 20 | Elettrocalamita V110 |

SYMBOLS AND ELECTRIC DEVICES DESCRIPTION EFN 828

| | | | |
|------|--------------------------------------|-------|-------------------------------------|
| A 1 | Card SF 176C | SM 8 | Emergency Board Micro |
| A 2 | Card-Case SF 177B | SM 9 | Slope Touching Micro |
| A 3 | Emergency Card-Case | SM 10 | SX Cutter Stop Micro |
| F | Fuse 5A | SM 11 | DX Cutter Stop Micro |
| G 1 | Tachimetre Main Motor | SM 12 | Loader Security Micro |
| G 2 | Tachimetre Belts Motor | SM 13 | Loader Slope Stop Micro |
| G 3 | Tachimetre Green Roller Motor | SM 14 | Stop Micro |
| G 4 | Tachimetre Cut Rollers Motor | SM 15 | On knob Micro |
| G 5 | XCH638-5-B-CM-R Encoder | SM 16 | Back Knob Micro |
| H 1 | Led Insertion | SP 1 | Insertion Push Button |
| H 2 | Led Forward Gear | SP 2 | Photocell Selector |
| H 3 | Led Photocell | SP 3 | Selector Slope Descent |
| K 1 | Emergency Remote Control Switch | SP 4 | Selector Loader Loading-Unloading |
| K 2 | DX Aligement Control Switch | SP 5 | Sharpening Push Button |
| K 3 | SX Aligement Control Switch | SP 6 | Push Button Stop |
| K 4 | Slope Remote Control Switch | SP 7 | Manual Cut Selector |
| K 5 | Descent Remote Control Switch | SP 8 | Zig Zag Cut Selector |
| K 6 | DX Cutter Control Switch | SP 9 | Selector Manual-Automatic |
| K 8 | Loader Slope Remote Control Switch | SP 10 | Backward Fast Selector |
| K 9 | Loader Descent Remote Control Switch | SP 11 | On Push Button |
| KF 1 | DX Aligement Photocell | SP 12 | Selector Unwinding-Re-Winding |
| KF 2 | SX Aligement Photocell | SP 13 | Cicle Reset Push Button |
| KF 3 | End Fabric Photocell | SP 14 | Spreading Inversion Selector |
| KR 2 | Emergency Card | SP 16 | Push Button Emergency |
| M 1 | Main Motor | T1 VA | TM Transformer |
| M 2 | Green Roller Rotation Motor | TT | 380-110V 1500VA Transformer |
| M 3 | Belts Rotation Motor | U 1 | Main Motor Card |
| M 4 | Cut Rollers Rotation Motor | U 2 | Green Roiler Feeding Motor Card |
| M 5 | Blade Rotation Motor | U 3 | Belt Alimentation Motor Card |
| M 6 | Cut Rotation Motor | U 5 | MP Excitation Three Phase Rectifier |
| M 7 | Photocell Aligement Motor | U 6 | Blade Cut Motor Rectifier |
| M 8 | Slope-Descent Motor | U 7 | Magnet Rectifier |
| M 9 | Loader Motor | U 8 | Magnetic Bracket Feeding |
| RR | Rollers Speed Regulation Rheostat | XA | Device Clamps |
| RRV | Automatic Speed Regulation Rheostat | XC | Computer Connector |
| RRVM | Manual Speed Regulation Rheostat | XPE | Electronic Part Connector |
| SM 1 | Emergency Micro | XPS | SF 176C CM92 Cards-Case Connector |
| SM 4 | DX Photocell Aligement Stop | XRT | Cutter Rollers Connector |
| SM 5 | SX Photocell Aligement Stop | XT | Cutter Connector |
| SM 6 | Slope Micro Stop | Y 1 | Magnetic Bracket |
| SM 7 | Descent Micro Stop | Y20 | V110 Electromagnet |

SYMBOLOLOGIE ET DESCRIPTION DISPOSITIFS ELECTRIQUES EFN 828

| | | | |
|------|---|-------|--|
| A 1 | Fiche SF 176C | SM 8 | Micro Urgence Estrade |
| A 2 | Porte fiche SF 177B | SM 9 | Micro Tâteur Montée |
| A 4 | Porte fiche d'Urgence | SM 10 | Micro Arrêt Coupeur SX |
| F | Fusible 5A | SM 11 | Micro Arrêt Coupeur SX |
| G 1 | Tachimetre Moteur Principal | SM 12 | Micro Sécurité Chargeur |
| G 2 | Tachimetre Moteur Courroie | SM 13 | Micro Arrêt Montée Chargeur |
| G 3 | Tachimetre Moteur Rouleau Vert | SM 14 | Micro Arrêt |
| G 4 | Tachimetre Moteur Rouleau de Coupe | SM 15 | Micro Poignée Avant |
| G 5 | Encoder XCH638-5-B-CM-R | SM 16 | Micro Poignée Arrière |
| H 1 | Lampe de Insertion | SP 1 | Poussoir Insertion |
| H 2 | Lampe témoin Marche | SP 2 | Selecteur Photocellule |
| H 3 | Lampe témoin Photocellule | SP 3 | Selecteur Montée Descente |
| K 1 | Télérupteur Urgence | SP 4 | Selecteur Chargement Dechargement Chargeur |
| K 2 | Télérupteur Alignement DX | SP 5 | Poussoir Affûteur |
| K 2 | Télérupteur Alignement SX | SP 6 | Poussoir Arrêt |
| K 4 | Télérupteur Montée | SP 7 | Selecteur Coupe Manuelle |
| K 5 | Télérupteur Descente | SP 8 | Selecteur Coupe Zig Zag |
| K 6 | Télérupteur Coupeur DX | SP 9 | Selecteur Manuel Automatique |
| K 8 | Télérupteur Montée Chargeur | SP 10 | Selecteur Rentrée avec Vitesse |
| K 9 | Télérupteur Descente Chargeur | SP 11 | Poussoir Marche |
| KF 1 | Photocellule Alignement DX | SP 12 | Selecteur Déroulement-Enroulement |
| KF 2 | Photocellule Alignement SX | SP 13 | Poussoir Reset Cicé |
| KF 3 | Photocellule Fin Tissu | SP 14 | Selecteur Inversion Matélassage |
| KR 2 | Fiche d'Urgence | SP 16 | Poussoir Urgence |
| M 1 | Moteur Principal | T1 VA | Transformateur TM 125VA P110 |
| M 2 | Moteur Rotation Rouleaux Vert | TT | Transformateur 380-110V 1500VA |
| M 3 | Moteur Rotation Courroie | U 1 | Fiche Moteur Principal |
| M 4 | Moteur Rotation Rouleau de Coupe | U 2 | Fiche Moteur Alimentation Rouleau Vert |
| M 5 | Moteur Rotation Couteau | U 3 | Fiche Moteur Courroie Alimentation |
| M 6 | Moteur Rotation Coupe | U 5 | Redresseur Triphase Excitation MP |
| M 7 | Moteur Alignement Photocellule | U 6 | Redresseur Moteur Couteau de Coupe |
| M 8 | Moteur Montée Descente | U 7 | Redresseur Magnete |
| M 9 | Moteur Chargeur | U 8 | Alimentateur Frein Magnetique |
| RR | Rhéostat Regulation Vitesse Rouleaux | XA | Bornes Appareillage |
| RRV | Rhéostat Regulation Vitesse Automatique | XC | Connecteur Computer |
| RRVM | Rhéostat Regulation Vitesse Manuelle | XPE | Connecteur Electronique |
| SM 1 | Micro d'Urgence | XPS | Connecteur Porte fiches SF 176C CM92 |
| SM 4 | Arrêt Alignement Photocellule DX | XT | Connecteur Rouleaux Coupeur |
| SM 5 | Arrêt Alignement Photocellule SX | XT | Connecteur Coupeur |
| SM 6 | Micro Arrêt Montée | Y 1 | Freinage Magnetique |
| SM 7 | Micro Arrêt Descente | Y 20 | Electromagnete V110 |

INDEX

INDEX

| SIMB. | TAV. | SIMB. | TAV. | SIMB. | TAV. | SIMB. | TAV. | SIMB. | TAV. | SIMB. | TAV. |
|---------------|----------|--------------|------|---------------|-------|--------------|----------|--------------|------|--------------|---------|
| RFN 07/021 | 28 | RFN 12/085/4 | 3 | RFN 12/409/T | 8-9 | RFN 13/012 | 22 | RFN 14/087 | 9-10 | RFN 14/311 | 7 |
| RFN 08/105 | 12 | RFN 12/085/6 | 3 | RFN 12/410/T | 9 | RFN 13/013/D | 22 | RFN 14/088 | 22 | RFN 14/312 | 7-16-31 |
| RFN 08/107 | 12 | RFN 12/086/A | 3 | RFN 12/411/T | 9 | RFN 13/013/S | 22 | RFN 14/088/1 | 11 | RFN 14/313 | 7 |
| RFN 08/108 | 12 | RFN 12/086/B | 3 | RFN 12/412/T | 9 | RFN 13/015/1 | 22 | RFN 14/101/1 | 5 | RFN 14/314 | 7 |
| RFN 08/115 | 12-32-33 | RFN 12/089 | 3 | RFN 12/413/T | 9 | RFN 13/016/1 | 22 | RFN 14/104 | 5 | RFN 14/315 | 7 |
| RFN 08/120 | 12-23 | RFN 12/090 | 4 | RFN 12/414/T | 9 | RFN 13/017/1 | 22 | RFN 14/106/2 | 5 | RFN 14/316 | 7 |
| RFN 08/122 | 12 | RFN 12/094 | 4 | RFN 12/415/T | 9 | RFN 13/018/1 | 22 | RFN 14/107 | 5 | RFN 14/317 | 7-8 |
| RFN 09/058/1 | 22 | RFN 12/094/2 | 4 | RFN 12/416/T | 8 | RFN 13/032 | 10 | RFN 14/109 | 5 | RFN 14/318 | 7 |
| RFN 09/116 | 23-24 | RFN 12/094/4 | 4 | RFN 12/417/T | 8 | RFN 13/032/1 | 22 | RFN 14/110 | 5 | RFN 14/319 | 7 |
| RFN 10/117 | 26-28 | RFN 12/101 | 25 | RFN 12/418/T | 9 | RFN 13/033/1 | 22 | RFN 14/111 | 5 | RFN 14/320 | 7 |
| RFN 10/130/G | 8 | RFN 12/109 | 25 | RFN 12/419/T | 8 | RFN 13/034/1 | 1 | RFN 14/112 | 5 | RFN 14/322 | 7-16-18 |
| RFN 10/134 | 8 | RFN 12/110 | 25 | RFN 12/420/T | 8 | RFN 13/041 | 22 | RFN 14/113 | 5 | RFN 14/323 | 7-16 |
| RFN 10/136/T1 | 8 | RFN 12/111 | 25 | RFN 12/421/T | 8 | RFN 14/005/D | 7 | RFN 14/114 | 6 | RFN 14/325 | 7 |
| RFN 10/149/1 | 28 | RFN 12/112 | 25 | RFN 12/422/T | 8 | RFN 14/005/S | 7 | RFN 14/115 | 6-33 | RFN 14/368 | 3 |
| RFN 10/150 | 28 | RFN 12/113 | 25 | RFN 12/423/T | 8 | RFN 14/019 | 1 | RFN 14/117 | 6-26 | RFN 14/369 | 3 |
| RFN 10/150/A | 6 | RFN 12/114 | 25 | RFN 12/424/T1 | 8 | RFN 14/020 | 1 | RFN 14/118 | 6 | RFN 14/370 | 3 |
| RFN 10/151 | 28 | RFN 12/115 | 25 | RFN 12/425/T1 | 8 | RFN 14/033 | 10 | RFN 14/119 | 5 | RFN 14/401 | 33 |
| RFN 10/156/1 | 28-33 | RFN 12/123 | 4 | RFN 12/426/T | 8 | RFN 14/047/1 | 4 | RFN 14/124 | 5 | RFN 14/401/A | 33 |
| RFN 10/158 | 6-26-28 | RFN 12/124/A | 25 | RFN 12/428/T | 8 | RFN 14/048 | 4 | RFN 14/124/1 | 5 | RFN 14/404 | 32-33 |
| | 33 | RFN 12/125 | 25 | RFN 12/429/T | 8 | RFN 14/049 | 10 | RFN 14/150 | 28 | RFN 14/405 | 32-33 |
| RFN 10/160 | 28 | RFN 12/126 | 25 | RFN 12/430/T | 8 | RFN 14/051 | 10 | RFN 14/151 | 28 | RFN 14/406 | 32-33 |
| RFN 10/865 | 29 | RFN 12/127/1 | 4 | RFN 12/431/T | 8 | RFN 14/052 | 10 | RFN 14/152 | 28 | RFN 14/407 | 32-33 |
| RFN 12/086/A | 3 | RFN 12/129 | 4 | RFN 12/432/T | 9 | RFN 14/053 | 10 | RFN 14/153 | 28 | RFN 14/411 | 32-33 |
| RFN 10/867 | 29 | RFN 12/131/1 | 4 | RFN 12/434/T | 8 | RFN 14/055 | 10 | RFN 14/154 | 28 | RFN 14/413 | 33 |
| RFN 10/869 | 29 | RFN 12/133 | 25 | RFN 12/435/T | 9 | RFN 14/057 | 10 | RFN 14/155 | 28 | RFN 14/413/1 | 32 |
| RFN 12/001 | 1 | RFN 12/134 | 25 | RFN 12/435/T1 | 9 | RFN 14/058 | 10 | RFN 14/156 | 28 | RFN 14/414 | 32-33 |
| RFN 12/002 | 1 | RFN 12/193 | 21 | RFN 12/435/T2 | 9 | RFN 14/059 | 10 | RFN 14/157 | 28 | RFN 14/415 | 33 |
| RFN 12/018/1 | 2 | RFN 12/194 | 27 | RFN 12/436/T | 9 | RFN 14/060 | 10 | RFN 14/158 | 28 | RFN 14/416 | 33 |
| RFN 12/019/D | 25 | RFN 12/195/1 | 21 | RFN 12/437/T1 | 8 | RFN 14/061/A | 10 | RFN 14/160 | 28 | RFN 14/451 | 29 |
| RFN 12/019/S | 25 | RFN 12/227 | 16 | RFN 12/438/T | 9 | RFN 14/062 | 10 | RFN 14/161 | 28 | RFN 14/452 | 2 |
| RFN 12/050/1 | 2 | RFN 12/235 | 4 | RFN 12/439/T | 9 | RFN 14/062/B | 10 | RFN 14/162 | 28 | RFN 14/454/1 | 29 |
| RFN 12/052 | 2 | RFN 12/238 | 25 | RFN 12/441/T | 8 | RFN 14/063 | 10 | RFN 14/163 | 28 | RFN 14/455 | 29 |
| RFN 12/053 | 2 | RFN 12/243 | 25 | RFN 12/442/T | 8 | RFN 14/063/A | 10 | RFN 14/165 | 28 | RFN 14/456 | 29 |
| RFN 12/055 | 2-17 | RFN 12/252 | 4 | RFN 12/443/T | 8 | RFN 14/064 | 10 | RFN 14/280/G | 20 | RFN 14/457 | 29 |
| RFN 12/065 | 3 | RFN 12/253 | 4 | RFN 12/516 | 9 | RFN 14/065 | 10-16-28 | RFN 14/285 | 20 | RFN 14/459 | 29 |
| RFN 12/066/1 | 3 | RFN 12/254 | 2-3 | RFN 12/516/T | 8 | RFN 14/065/1 | 22 | RFN 14/293 | 20 | RFN 14/601 | 12-23 |
| RFN 12/066/2 | 3 | RFN 12/303/1 | 3 | RFN 12/517 | 8 | RFN 14/066 | 11 | RFN 14/294 | 20 | RFN 14/602 | 12 |
| RFN 12/068/1 | 1 | RFN 12/401 | 9 | RFN 13/001 | 10 | RFN 14/067 | 10 | RFN 14/296/1 | 20 | RFN 14/603 | 12 |
| RFN 12/069 | 1 | RFN 12/402 | 9 | RFN 13/002 | 10 | RFN 14/075/1 | 9 | RFN 14/298 | 20 | RFN 14/604 | 12 |
| RFN 12/071 | 1 | RFN 12/402/T | 9 | RFN 13/003/1 | 22 | RFN 14/076 | 4 | RFN 14/304 | 7 | RFN 14/605 | 23 |
| RFN 12/072 | 1-32-33 | RFN 12/403/T | 9 | RFN 13/004/1 | 22 | RFN 14/077 | 4 | RFN 14/306 | 7 | RFN 14/606 | 12-23 |
| RFN 12/074 | 1 | RFN 12/404/T | 9 | RFN 13/008 | 4 | RFN 14/082 | 11 | RFN 14/307 | 7 | RFN 14/609 | 12-23 |
| RFN 12/075 | 1 | RFN 12/405/T | 9 | RFN 13/009 | 4 | RFN 14/082/3 | 11 | RFN 14/308 | 7 | RFN 14/610 | 12 |
| RFN 12/076 | 1 | RFN 12/407 | 9 | RFN 13/010 | 4 | RFN 14/084/1 | 11 | RFN 14/309 | 7 | RFN 14/613 | 12 |
| RFN 12/085 | 3 | RFN 12/408/T | 8 | RFN 13/011 | 10-22 | RFN 14/085/1 | 11 | RFN 14/310 | 7 | RFN 14/614 | 23 |

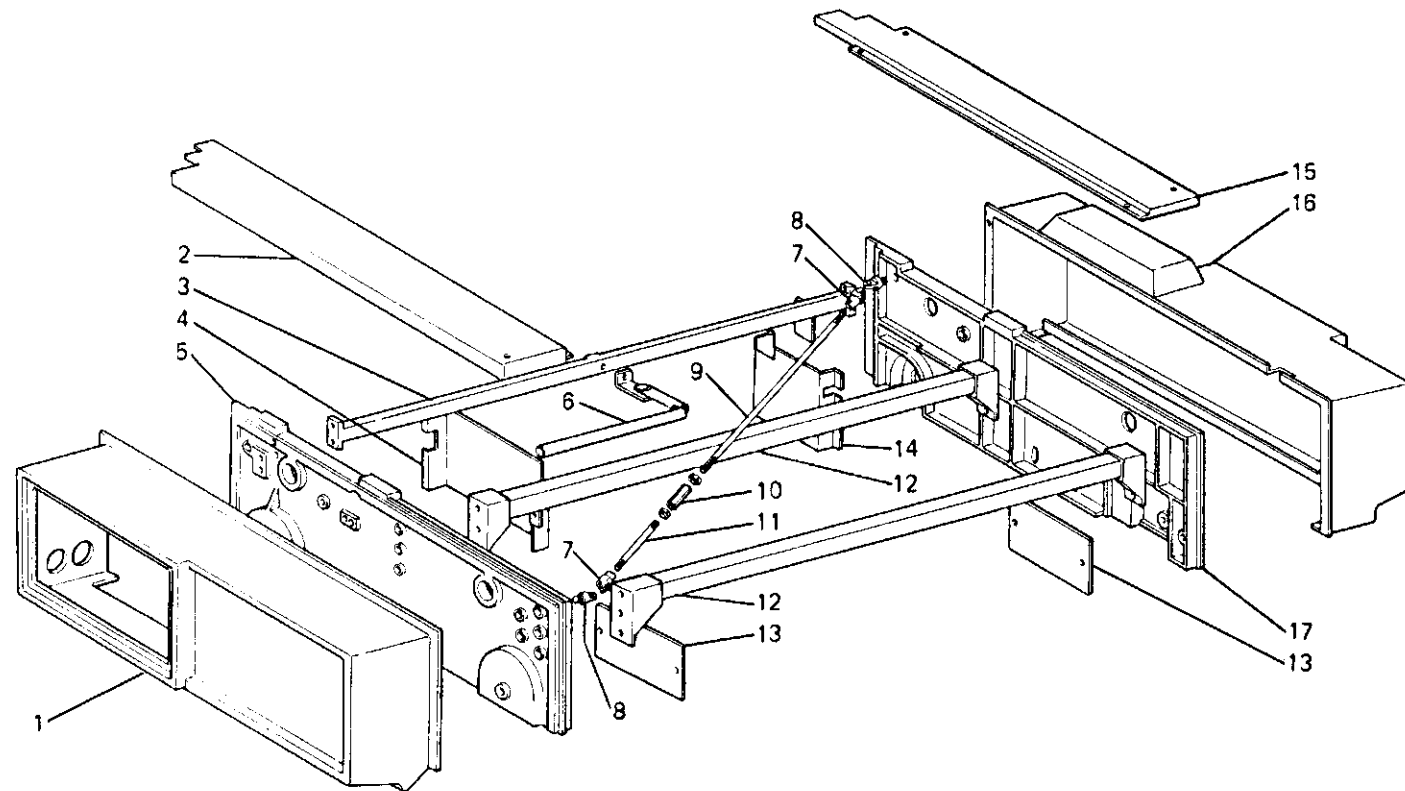
INDEX

INDEX

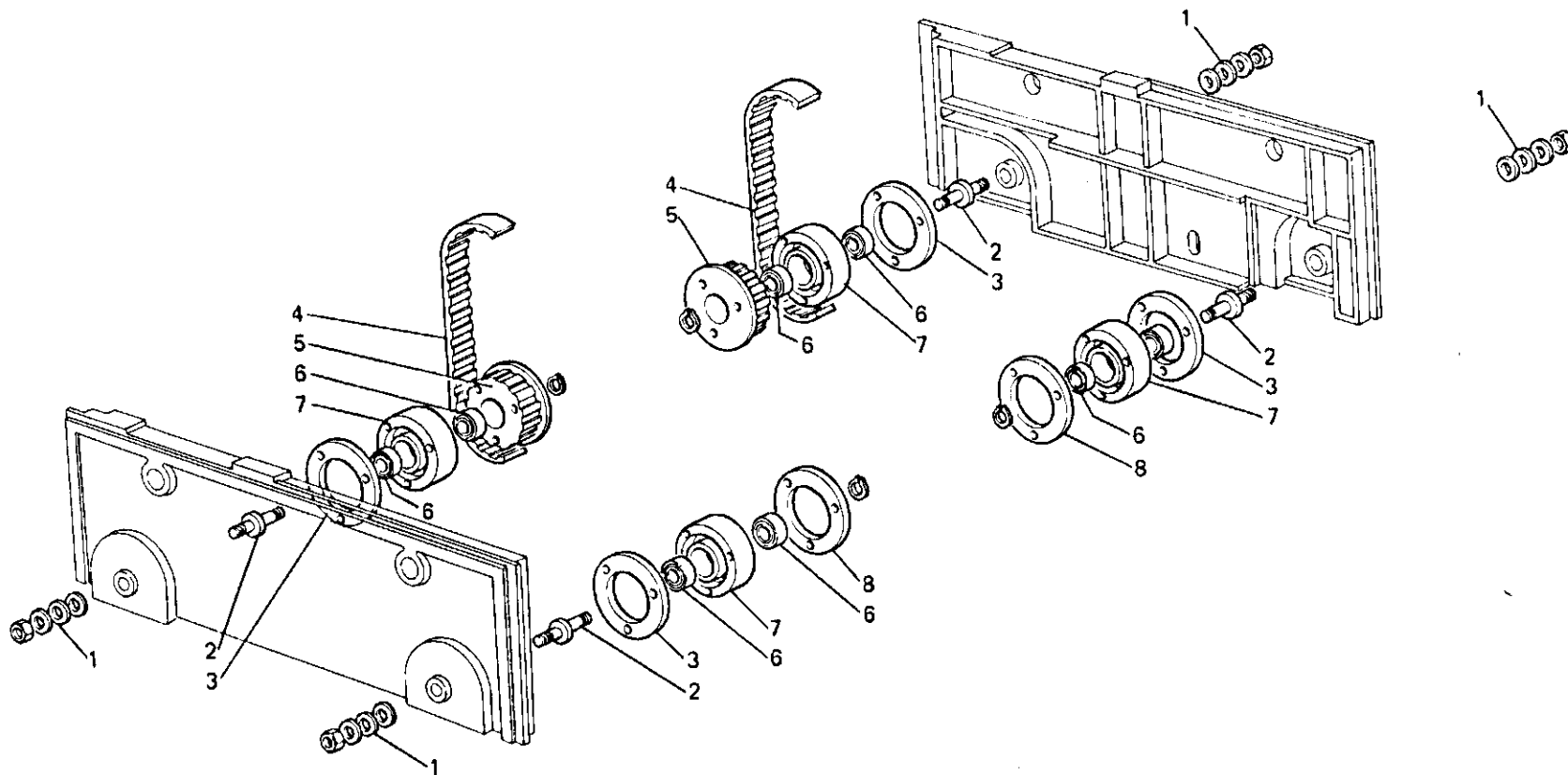
| SIMB. | TAV. | SIMB. | TAV. | SIMB. | TAV. | SIMB. | TAV. | SIMB. | TAV. | SIMB. | TAV. |
|--------------|-------|--------------|-------|--------------|-------|--------------|-------|--------------|---------|-----------------|----------|
| RFN 14/615 | 23-28 | RFN 14/803 | 25 | RFN 20/011 | 26 | RFN 25/024 | 7-14 | RFN 97/008 | 10 | RFN 99/421/C | 26 |
| RFN 14/616 | 23 | RFN 14/804 | 25 | RFN 20/012 | 26 | RFN 25/025 | 14 | RFN 98/010 | 27 | RFN 99/431/A | 17 |
| RFN 14/620 | 23-24 | RFN 14/805 | 25 | RFN 20/013 | 26 | RFN 25/026 | 5 | RFN 98/011 | 10 | RFN 99/442 | 7 |
| RFN 14/671 | 30-31 | RFN 14/806 | 25 | RFN 20/014 | 26 | RFN 25/027 | 7-14 | RFN 98/113 | 6-17-26 | RFN 99/442/C | 7-26 |
| RFN 14/672 | 30-31 | RFN 14/807 | 25 | RFN 20/015 | 26 | RFN 25/028 | 7 | RFN 98/203 | 8 | RFN 99/506 | 17 |
| RFN 14/673 | 30-31 | RFN 14/808 | 25 | RFN 20/016 | 15-26 | RFN 25/029 | 14 | RFN 98/212 | 9 | RFN 99/527 | 9 |
| RFN 14/675 | 30-31 | RFN 14/809 | 25 | RFN 20/017 | 15-26 | RFN 25/030 | 7-14 | RFN 98/234 | 5-17-26 | RFN 99/528 | 10 |
| RFN 14/678 | 30-31 | RFN 14/826 | 16 | RFN 20/018 | 15-26 | RFN 25/031 | 7 | RFN 98/304 | 11 | RFN 99/529 | 7-9-10 |
| RFN 14/679 | 30 | RFN 14/827 | 16 | RFN 20/019 | 26 | RFN 25/031/1 | 14 | RFN 98/309 | 5-18 | RFN 99/530 | 7-21 |
| RFN 14/680 | 30-31 | RFN 14/828 | 25 | RFN 20/021 | 15-26 | RFN 25/032 | 14 | RFN 98/310/B | 10 | | 26-33 |
| RFN 14/681 | 30-31 | RFN 14/851 | 17 | RFN 20/025 | 26 | RFN 25/033 | 14 | RFN 98/312 | 3 | RFN 99/531 | 8 |
| RFN 14/682 | 30-31 | RFN 14/852 | 17 | RFN 24/640 | 27 | RFN 25/035 | 14 | RFN 98/313 | 7-17 | RFN 99/532 | 10 |
| RFN 14/683 | 30-31 | RFN 14/853 | 17 | RFN 24/641 | 27 | RFN 25/037 | 7-14 | RFN 98/316 | 5 | RFN 99/602 | 8-9 |
| RFN 14/684 | 30 | RFN 14/854 | 17 | RFN 24/642/M | 27 | RFN 25/038 | 7-14 | RFN 98/413 | 18 | RFN 99/603 | 8-18-26 |
| RFN 14/685 | 30-31 | RFN 14/855 | 17 | RFN 24/643/M | 27 | RFN 25/041/1 | 5 | RFN 98/415 | 5 | RFN 99/604 | 6-7-8-9 |
| RFN 14/687 | 30-31 | RFN 14/856 | 17 | RFN 24/645 | 27 | RFN 25/042 | 5 | RFN 98/416 | 3 | | 10-11 |
| RFN 14/689 | 30-31 | RFN 14/866/1 | 17 | RFN 24/646 | 27 | RFN 25/043/C | 1 | RFN 99/001 | 26 | RFN 99/605 | 6-7-9-11 |
| RFN 14/690 | 30-31 | RFN 14/869 | 17 | RFN 24/647 | 27 | RFN 25/043/M | 1 | RFN 99/012 | 7 | | 17-26 |
| RFN 14/691 | 30-31 | RFN 14/870 | 17 | RFN 24/648 | 27 | RFN 25/044 | 5 | RFN 99/013 | 26 | RFN 99/606 | 8 |
| RFN 14/693 | 30-31 | RFN 14/873 | 7 | RFN 24/650 | 27 | RFN 25/701 | 18 | RFN 99/015 | 9-10 | RFN 99/614 | 26 |
| RFN 14/694 | 30-31 | RFN 14/955 | 32 | RFN 24/651 | 27 | RFN 25/702 | 18 | RFN 99/022 | 6-7-8-9 | RFN 99/625 | 9 |
| RFN 14/696 | 30 | RFN 14/955/S | 32 | RFN 24/652 | 27 | RFN 25/704 | 18 | RFN 99/024 | 7-9-11 | RFN 99/626 | 17 |
| RFN 14/701 | 12 | RFN 14/970 | 13 | RFN 24/655 | 27 | RFN 25/706 | 18 | | 17 | RFN 99/627 | 17-21 |
| RFN 14/702 | 12 | RFN 14/971 | 13 | RFN 25/001 | 14 | RFN 25/707 | 18 | RFN 99/026 | 26 | RFN 99/708 | 6 |
| RFN 14/703/1 | 12 | RFN 14/972 | 13 | RFN 25/002 | 14 | RFN 25/708 | 18 | RFN 99/034 | 9 | RFN 99/809 | 10 |
| RFN 14/705/1 | 12 | RFN 14/973 | 13 | RFN 25/003 | 14 | RFN 26/151 | 24 | RFN 99/036 | 7 | RFN 99/822 | 7 |
| RFN 14/706 | 12 | RFN 14/977 | 13 | RFN 25/004 | 14 | RFN 26/152 | 23-24 | RFN 99/050/2 | 9 | RFN 270/L100 | 7-14 |
| RFN 14/707 | 12 | RFN 14/980 | 13 | RFN 25/005 | 14 | RFN 26/153 | 23-24 | RFN 99/120 | 7 | RFN 270/L050 | 30-31 |
| RFN 14/708 | 12 | RFN 14/981 | 13 | RFN 25/007 | 14 | RFN 26/154 | 24 | RFN 99/131 | 6 | RFN 285/L100 | 14 |
| RFN 14/709 | 12 | RFN 14/983 | 13 | RFN 25/008 | 14 | RFN 26/155 | 23-24 | RFN 99/132 | 17 | RFN A1 | 19 |
| RFN 14/710 | 12 | RFN 14/984 | 13 | RFN 25/009 | 14 | RFN 26/157 | 23-24 | RFN 99/137 | 17 | RFN Adattatore | 17 |
| RFN 14/711 | 12 | RFN 14/985 | 13 | RFN 25/010 | 14-18 | RFN 26/158 | 23-24 | RFN 99/208 | 8-10 | RFN Autofil. | 7 |
| RFN 14/712 | 12 | RFN 14/986 | 13 | RFN 25/011 | 14-18 | RFN 26/159 | 23-24 | RFN 99/209 | 9 | RFN Cusc. rullo | 23-24 |
| RFN 14/718 | 12 | RFN 14/987 | 13 | RFN 25/012 | 14-18 | RFN 26/160 | 23-24 | RFN 99/217 | 7-9-10 | RFN CM90 | 20 |
| RFN 14/720 | 12 | RFN 14/988 | 13 | RFN 25/013 | 14 | RFN 26/162 | 23-24 | RFN 99/218 | 7-8-9 | RFN CM92 | 20 |
| RFN 14/721 | 12 | RFN 14/989 | 15 | RFN 25/014 | 14 | RFN 26/163 | 23-24 | | 18-26 | RFN CS/201 | 5 |
| RFN 14/722/1 | 12 | RFN 14/990 | 15 | RFN 25/016/1 | 26 | RFN 26/164 | 23-24 | RFN 99/219 | 7 | RFN CS/608/Z | 10-26 |
| RFN 14/726 | 12 | RFN 14/992 | 15 | RFN 25/016/3 | 13 | RFN 26/165 | 23-24 | RFN 99/245 | 6-17-26 | RFN CS/6000 | 6 |
| RFN 14/727 | 12 | RFN 14/993 | 13 | RFN 25/016/4 | 6 | RFN 26/166 | 23 | RFN 99/246 | 8 | RFN CS/6000/2RS | 8-9 |
| RFN 14/750 | 12 | RFN 14/994/D | 15 | RFN 25/016/5 | 17 | RFN 26/168 | 23 | RFN 99/256 | 9 | RFN CS/6000/RS | 8 |
| RFN 14/754/C | 12 | RFN 14/994/S | 15 | RFN 25/017 | 14 | RFN 26/168/1 | 23-24 | RFN 99/261 | 26 | RFN CS/6001 | 18 |
| RFN 14/801 | 25 | RFN 14/995 | 13 | RFN 25/019 | 7-14 | RFN 81/15 | 10 | RFN 99/321 | 8 | RFN CS/6002/2RS | 8 |
| RFN 14/801/A | 25 | RFN 15/045 | 17 | RFN 25/020 | 14 | RFN 89/822 | 8 | RFN 99/333 | 10 | RFN CS/6004 | 2-7 |
| RFN 14/802 | 25 | RFN 20/002 | 15-26 | RFN 25/021 | 14 | RFN 90/58/1 | 11 | RFN 99/334 | 9-10 | RFN CS/6201 | 7 |
| RFN 14/802/A | 25 | RFN 20/002/1 | 15-26 | RFN 25/023 | 7-14 | RFN 97/006 | 11 | RFN 99/416 | 8 | RFN CS/6202 | 3 |

Rim® TAV. 1

| Fig. N. | Part. N. Pecce N. |
|---------|----------------------|
| 1 | RFN E/063 |
| 2 | RFN 25/043/C |
| 3 | RFN 14/019 |
| 4 | RFN 13/034/1 |
| 5 | RFN 12/001 |
| 6 | RFN E/065 |
| 7 | RFN 12/072 |
| 8 | RFN 12/071 |
| 9 | RFN 12/076 |
| 10 | RFN 12/074 |
| 11 | RFN 12/075 |
| 12 | RFN 14/020 |
| 13 | RFN 12/069 |
| 14 | RFN 12/068/1 |
| 15 | RFN 25/043/M |
| 16 | RFN E/063/1 |
| 17 | RFN 12/002 |

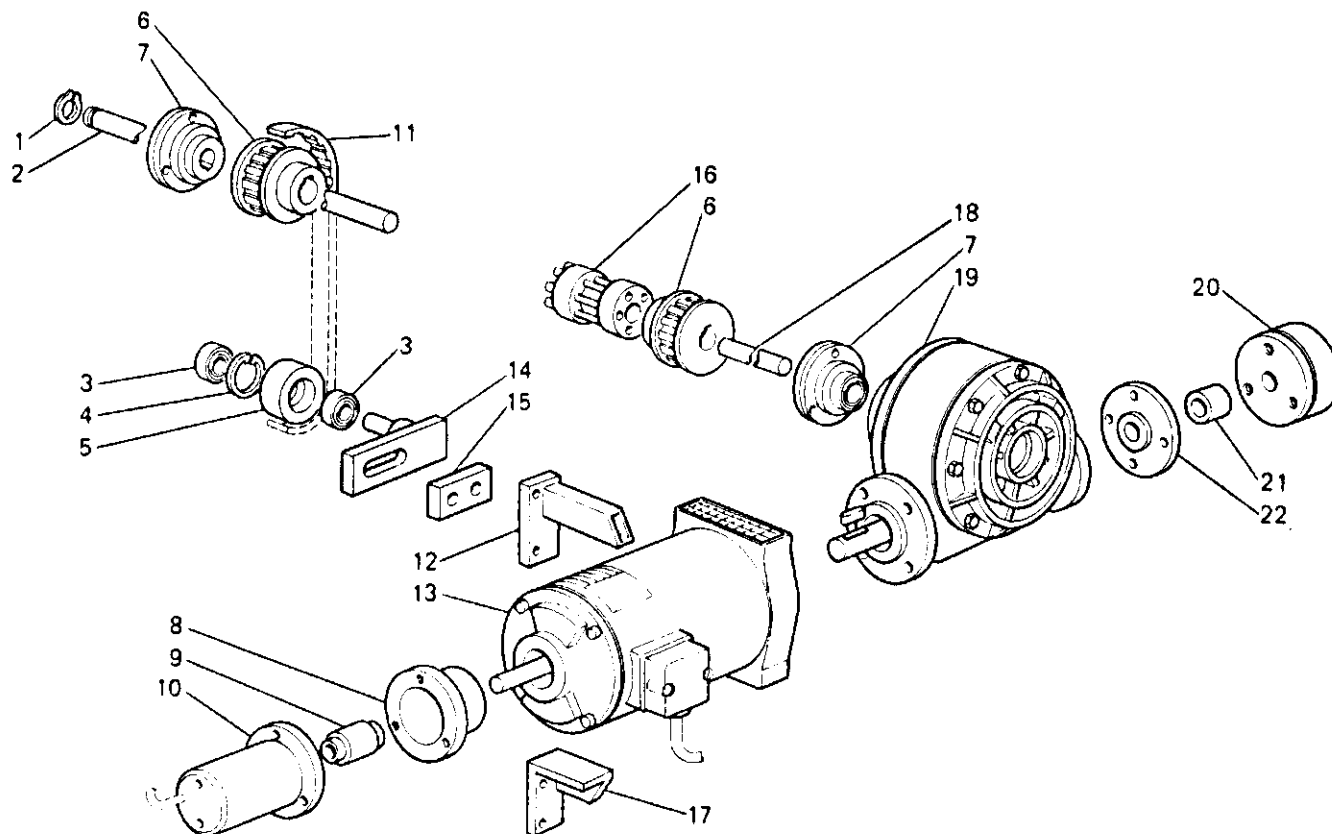


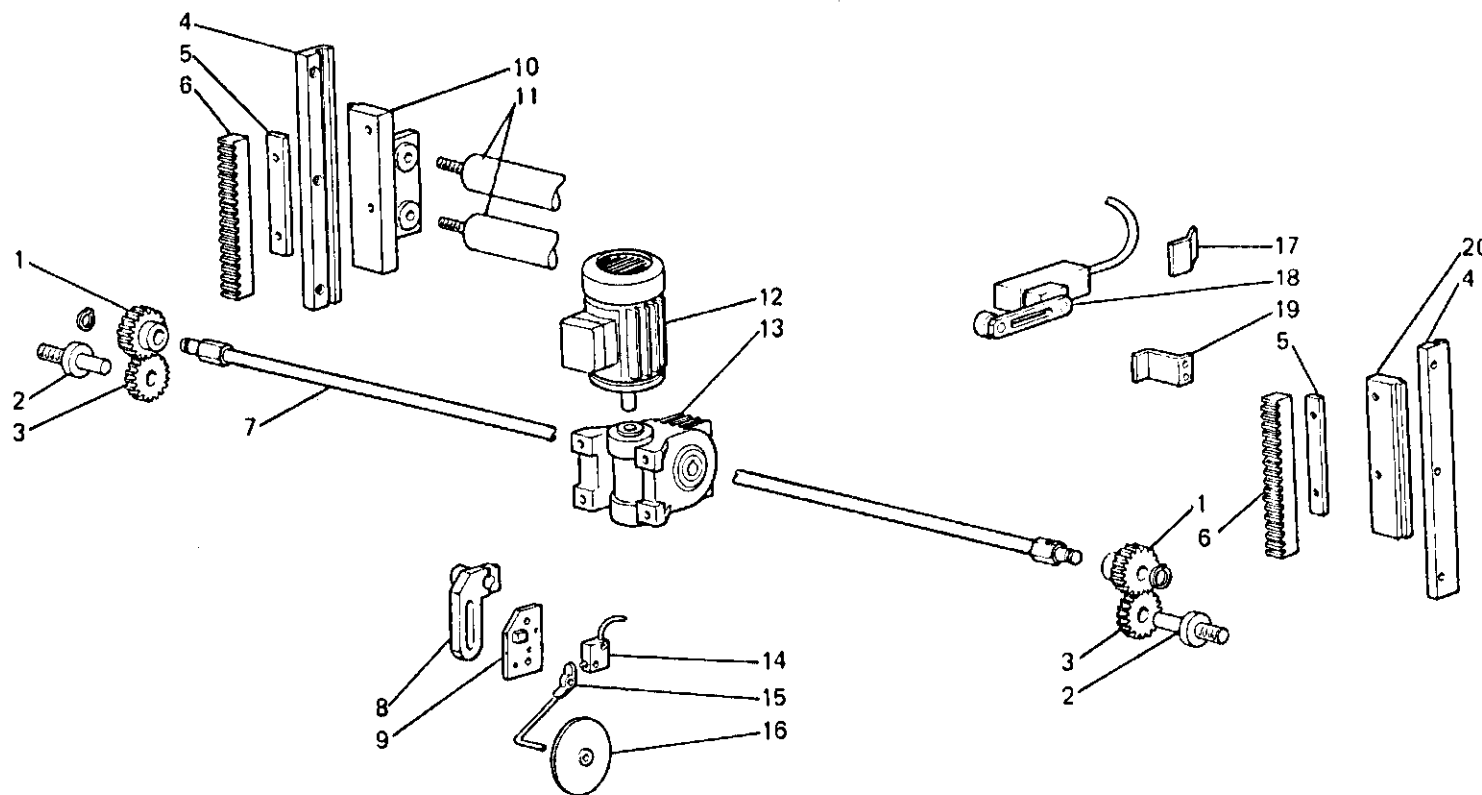
| Fig. N. | Part. N. / Piece N. |
|---------|---------------------|
| 1 | RFN 12/055 |
| 2 | RFN 14/452 |
| 3 | RFN 12/018/1 |
| 4 | RFN 12/254 |
| 5 | RFN 12/053 |
| 6 | RFN CS/6004 |
| 7 | RFN 12/050/1 |
| 8 | RFN 12/052 |



| Fig. N. | Part. N. / Piece N. |
|---------|---------------------|
| 1 | RFN 99/312 |
| 2 | RFN 12/086/B |
| 3 | RFN CS/6202 |
| 4 | RFN 98/416 |
| 5 | RFN 12/065 |
| 6 | RFN 12/089 |
| 7 | RFN KOYO/25 |
| 8 | RFN 14/368 |
| 9 | RFN E/041/1 |
| 10 | RFN E/041 |
| 11 | RFN 12/254 |
| 12 | RFN 12/085/6 |
| 13 | RFN E/045 |
| 14 | RFN 12/066/1 |
| 15 | RFN 12/066/2 |
| 16 | RFN Giunto |
| 17 | RFN 12/085/4 |
| 18 | RFN 12/086/A |
| 19 | RFN 12/085 |
| 20 | RFN E/043 |
| 21 | RFN 14/370 |
| 22 | RFN 14/369 |

Spazzole - Brushes - Balais de Charbon RFN 12/303/1

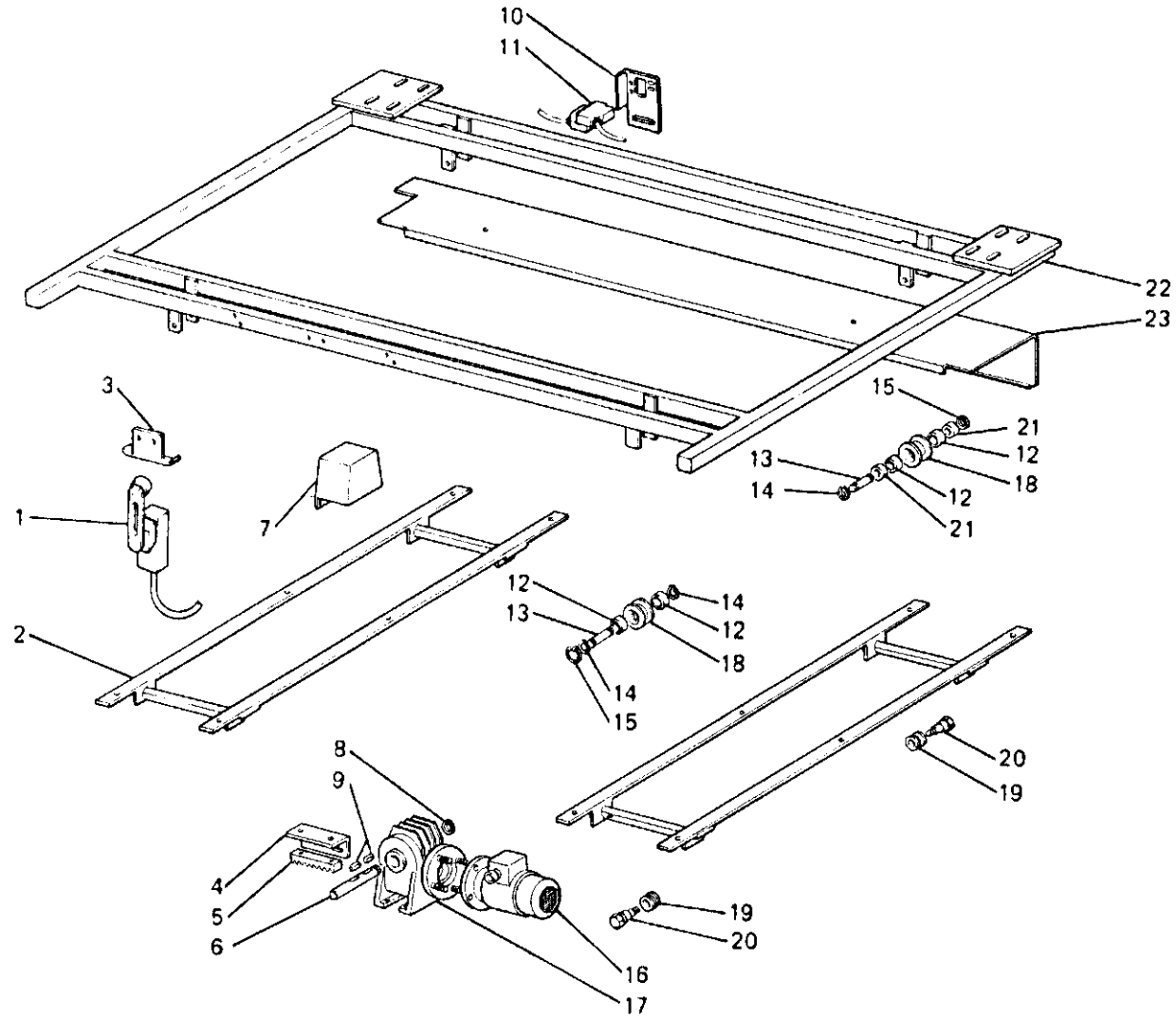




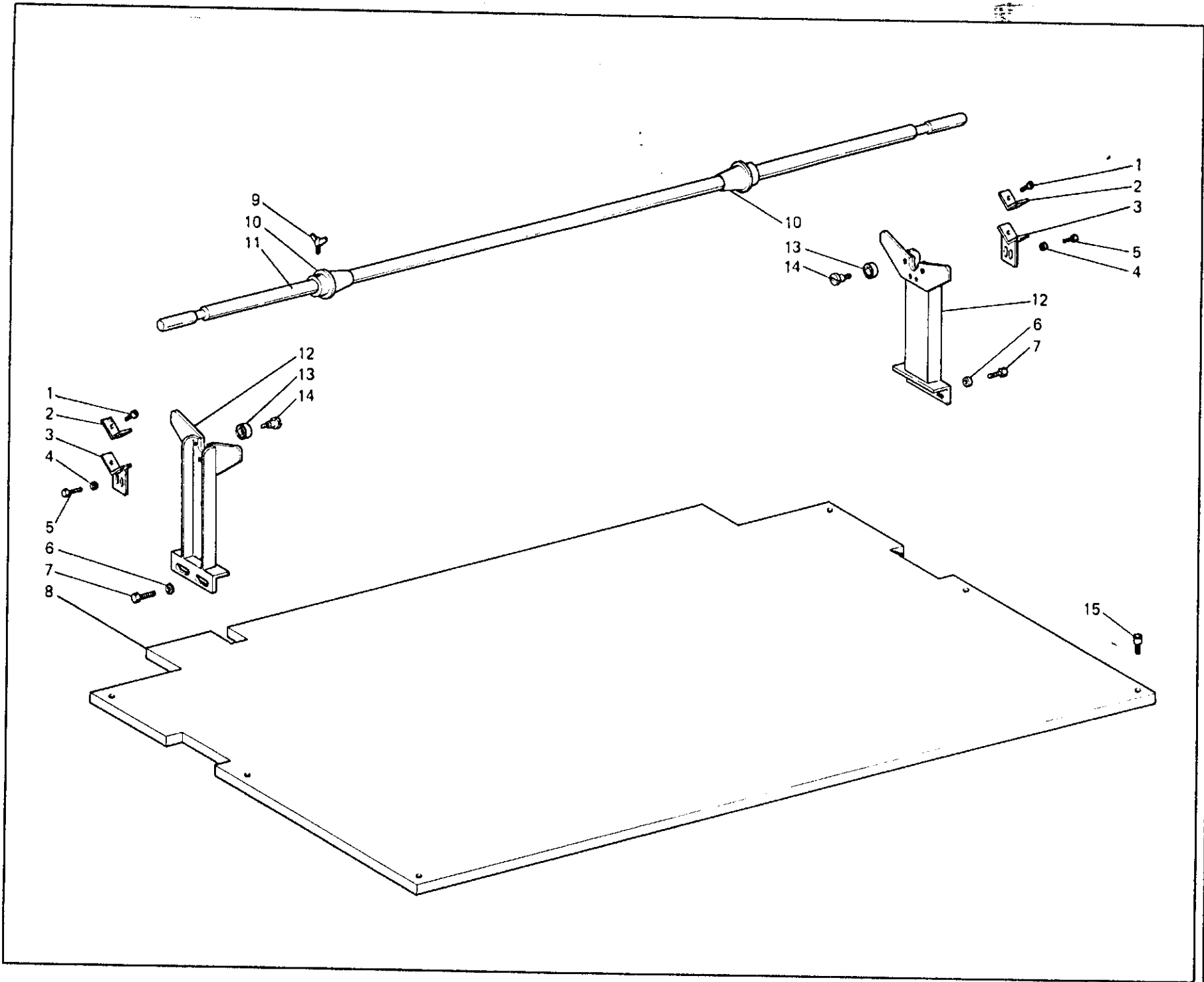
| Fig. N. | Part. N. / Piece N. |
|---------|---------------------|
| 1 | RFN 12/094 |
| 2 | RFN 12/094/4 |
| 3 | RFN 12/094/2 |
| 4 | RFN 12/123 |
| 5 | RFN 14/048 |
| 6 | RFN 14/047/1 |
| 7 | RFN 12/090 |
| 8 | RFN 12/127/1 |
| 9 | RFN 12/131/1 |
| 10 | RFN 13/008 |
| 11 | RFN 13/010 |
| 12 | RFN 12/252 |
| 13 | RFN 12/253 |
| 14 | RFN M/12/406 |
| 15 | RFN 12/129 |
| 16 | RFN 12/235 |
| 17 | RFN 14/076 |
| 18 | RFN XCK-S |
| 19 | RFN 14/077 |
| 20 | RFN 13/009 |

Rim® TAV. 5

| Fig. N. | Part. N. / Pece N. |
|---------|--------------------|
| 1 | RFN XCK-S |
| 2 | RFN 14/101/1 |
| 3 | RFN 14/119 |
| 4 | RFN 14/106/2 |
| 5 | RFN 14/107 |
| 6 | RFN 14/104 |
| 7 | RFN 25/042 |
| 8 | RFN 98/316 |
| 9 | RFN 98/234 |
| 10 | RFN 25/041/1 |
| 11 | RFN E/016 |
| 12 | RFN CS/201 |
| 13 | RFN 14/110 |
| 14 | RFN 98/309 |
| 15 | RFN 98/415 |
| 16 | RFN 14/124/1 |
| 17 | RFN 14/124 |
| 18 | RFN 14/109 |
| 19 | RFN 14/112 |
| 20 | RFN 14/111 |
| 21 | RFN 14/113 |
| 22 | RFN 25/026 |
| 23 | RFN 25/044 |



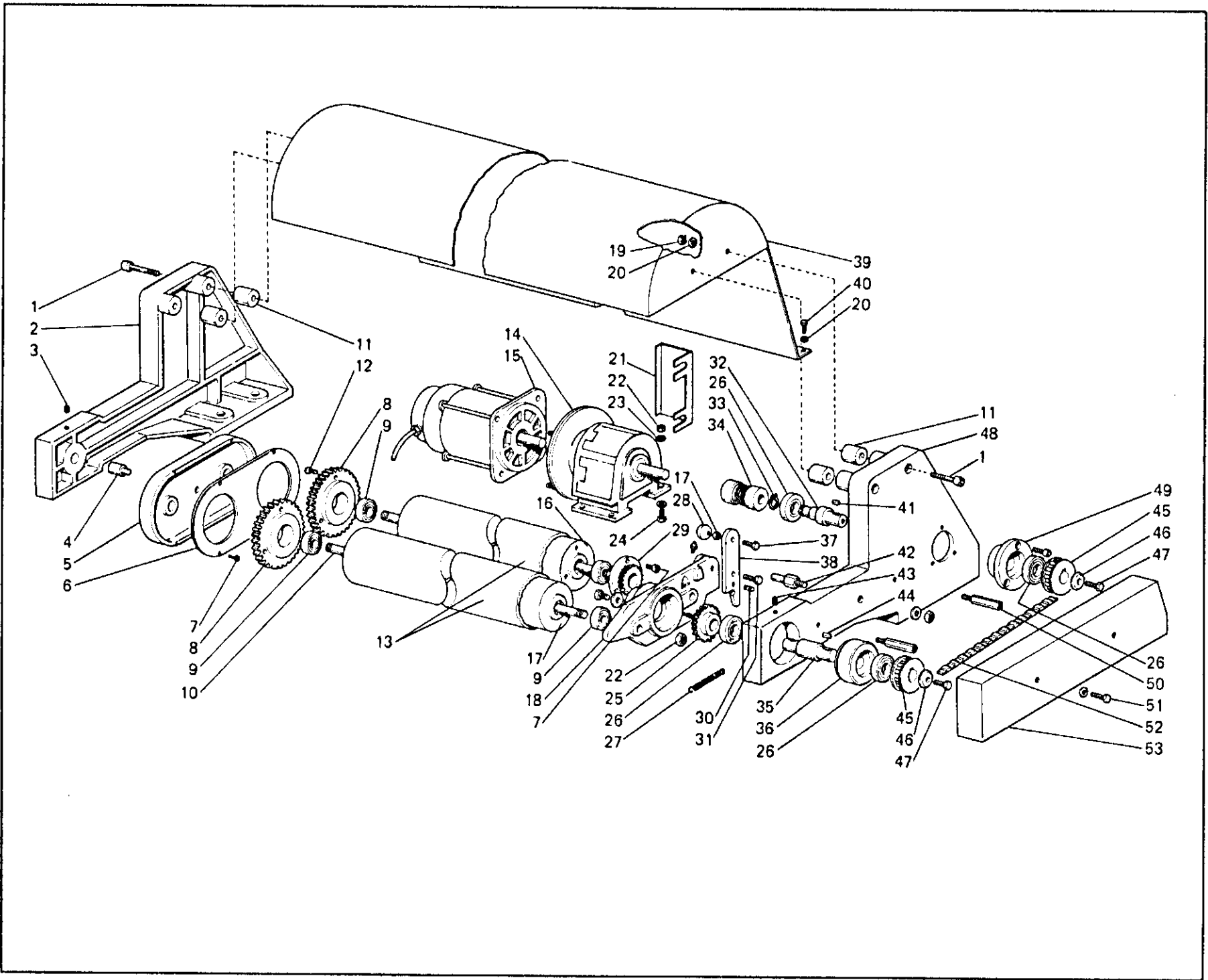
Rim® TAV. 6

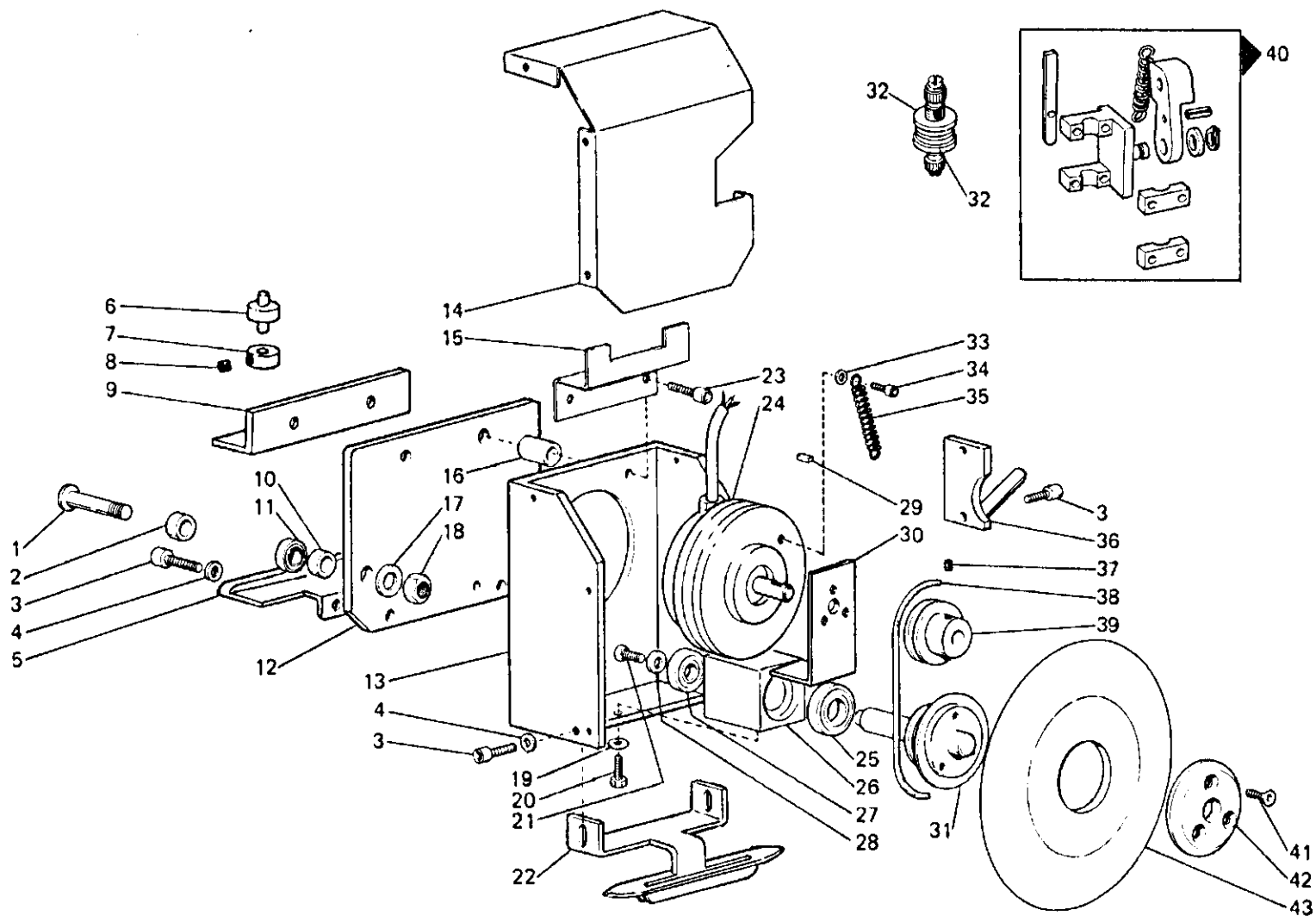


| Fig. N. | Part. N. Piece N. |
|---------|----------------------|
| 1 | RFN 99/708 |
| 2 | RFN 10/158 |
| 3 | RFN 14/118 |
| 4 | RFN 99/604 |
| 5 | RFN 99/022 |
| 6 | RFN 99/605 |
| 7 | RFN 99/131 |
| 8 | RFN 25/016/4 |
| 9 | RFN 98/113 |
| 10 | RFN 14/117 |
| 11 | RFN 10/150/A |
| 12 | RFN 14/114 |
| 13 | RFN CS/6000 |
| 14 | RFN 14/115 |
| 15 | RFN 99/245 |

Rim[®] TAV. 7

| Fig. N. | Part. N. Piese N. |
|---------|----------------------|
| 1 | RFN 99/120 |
| 2 | RFN 14/005/S |
| 3 | RFN 99/442 |
| 4 | RFN 14/313 |
| 5 | RFN 14/312 |
| 6 | RFN 14/320 |
| 7 | RFN 99/219 |
| 8 | RFN 14/309 |
| 9 | RFN CS/6201 |
| 10 | RFN 14/308 |
| 11 | RFN 14/323 |
| 12 | RFN 99/822 |
| 13 | RFN 14/325 |
| 14 | RFN E/048 |
| 15 | RFN E/046 |
| 16 | RFN 14/306 |
| 17 | RFN 14/310 |
| 18 | RFN 14/311 |
| 19 | RFN 99/529 |
| 20 | RFN 99/604 |
| 21 | RFN 14/873 |
| 22 | RFN 99/530 |
| 23 | RFN 99/605 |
| 24 | RFN 99/036 |
| 25 | RFN 14/304 |
| 26 | RFN CS/6004 |
| 27 | RFN 14/317 |
| 28 | RFN 14/319 |
| 29 | RFN 14/307 |
| 30 | RFN 14/318 |
| 31 | RFN 14/315 |
| 32 | RFN 25/023 |
| 33 | RFN 98/313 |
| 34 | RFN 25/024 |
| 35 | RFN 25/028 |
| 36 | RFN 25/027 |
| 37 | RFN 99/024 |
| 38 | RFN 14/314 |
| 39 | RFN 14/322 |
| 40 | RFN Autofil. |
| 41 | RFN 99/219 |
| 42 | RFN 14/316 |
| 43 | RFN 99/442/C |
| 44 | RFN 99/217 |
| 45 | RFN 25/019 |
| 46 | RFN 25/030 |
| 47 | RFN 99/022 |
| 48 | RFN 14/005/D |
| 49 | RFN 25/037 |
| 50 | RFN 25/038 |
| 51 | RFN 99/012 |
| 52 | RFN 270/L100 |
| 53 | RFN 25/031 |

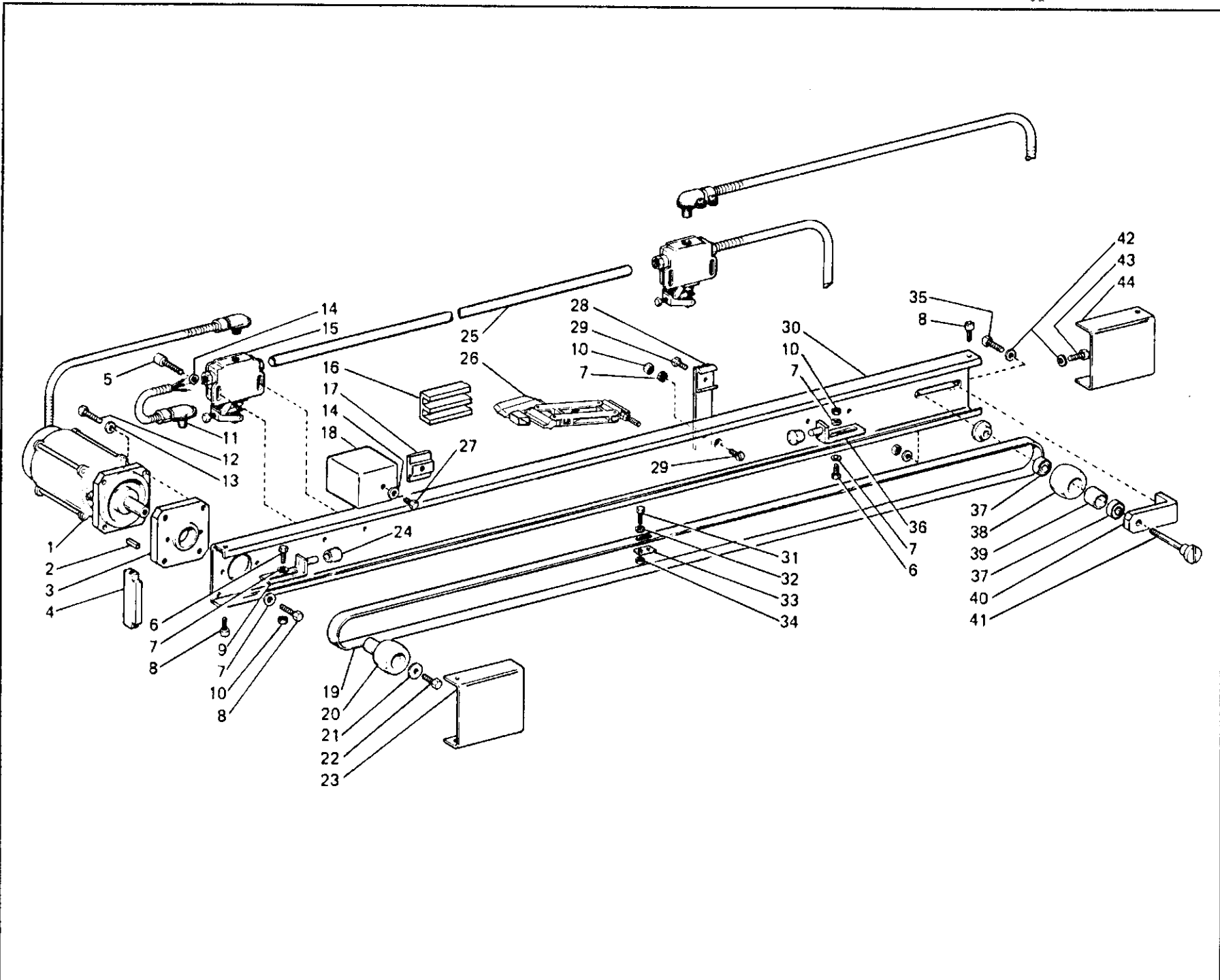




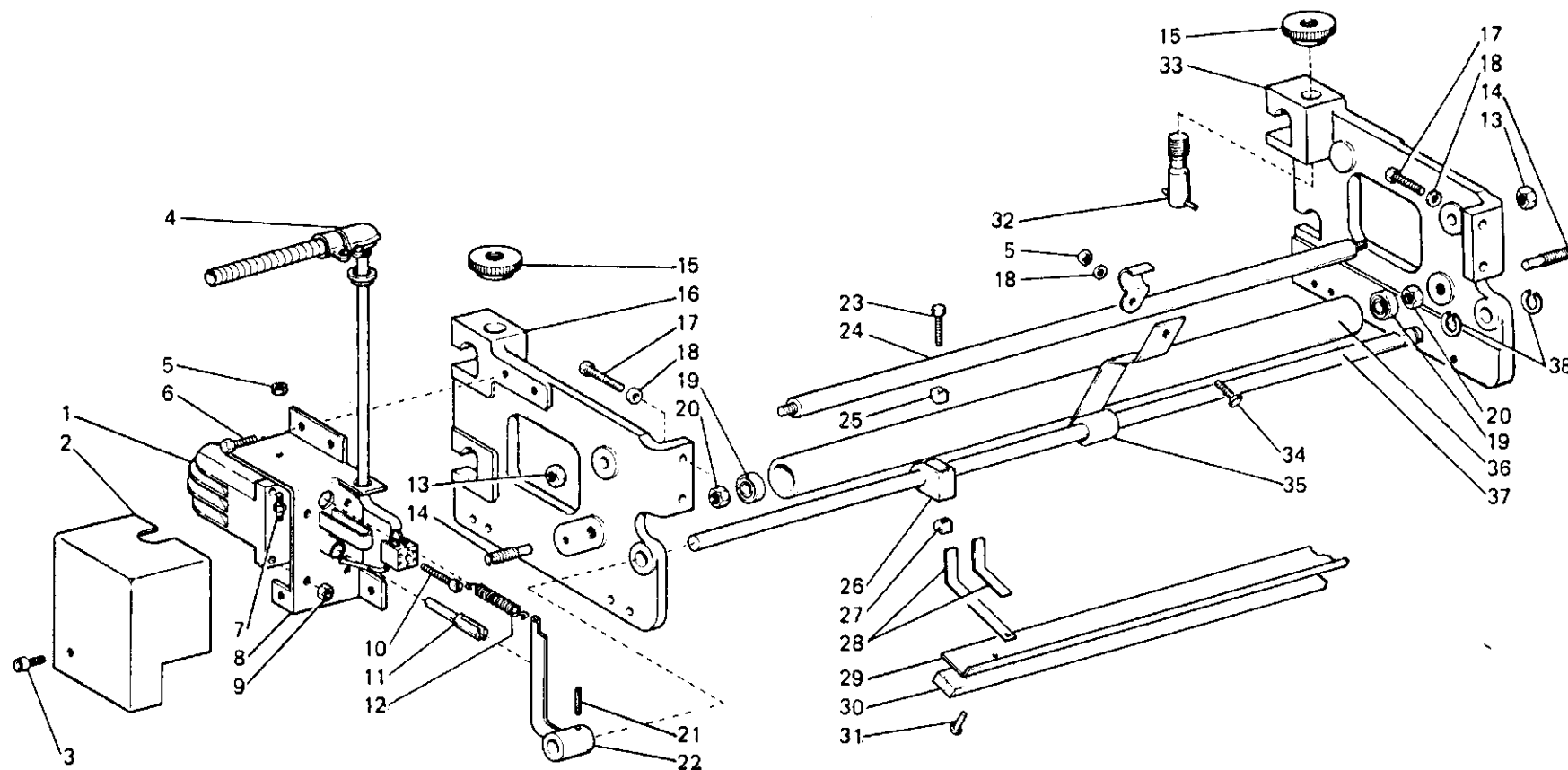
| Fig. N. | Part. N. Piece N. |
|---------|-------------------|
| 1 | RFN 12/416/T |
| 2 | RFN 12/516/T |
| 3 | RFN 99/218 |
| 4 | RFN 99/603 |
| 5 | RFN 12/431/T |
| 6 | RFN 12/442/T |
| 7 | RFN 12/441/T |
| 8 | RFN 12/443/T |
| 9 | RFN 12/408/T |
| 10 | RFN 12/517 |
| 11 | RFN CS/6000/RS |
| 12 | RFN 12/417/T |
| 13 | RFN 12/419/T |
| 14 | RFN 12/428/T |
| 15 | RFN 12/430/T |
| 16 | RFN 12/420/T |
| 17 | RFN 99/606 |
| 18 | RFN 99/531 |
| 19 | RFN 99/604 |
| 20 | RFN 99/022 |
| 21 | RFN 89/822 |
| 22 | RFN 12/429/T |
| 23 | RFN 99/246 |
| 24 | RFN 12/437/T1 |
| 25 | RFN CS/6002/2RS |
| 26 | RFN 12/421/T |
| 27 | RFN CS/6000/2RS |
| 28 | RFN 12/423/T |
| 29 | RFN 98/203 |
| 30 | RFN 12/409/T |
| 31 | RFN 12/422/T |
| 32 | RFN 10/134 |
| 33 | RFN 99/602 |
| 34 | RFN 99/208 |
| 35 | RFN 14/317 |
| 36 | RFN 12/434/T |
| 37 | RFN 99/416 |
| 38 | RFN 12/426/T |
| 39 | RFN 12/425/T1 |
| 40 | RFN 10/130/G |
| 41 | RFN 99/321 |
| 42 | RFN 12/424/T1 |
| 43 | RFN 10/136/T1 |

Rim® TAV. 9

| Fig. N. | Part. N. / Piece N. |
|---------|---------------------|
| 1 | RFN 12/436/T |
| 2 | RFN 98/212 |
| 3 | RFN 12/402/T |
| 4 | RFN 12/413/T |
| 5 | RFN 99/217 |
| 6 | RFN 99/024 |
| 7 | RFN 99/604 |
| 8 | RFN 99/022 |
| 9 | RFN 12/414/T |
| 10 | RFN 99/529 |
| 11 | RFN 14/087 |
| 12 | RFN 99/034 |
| 13 | RFN 99/605 |
| 14 | RFN 99/625 |
| 15 | RFN 12/402 |
| 16 | RFN 12/435/T1 |
| 17 | RFN 12/435/T |
| 18 | RFN 14/075/1 |
| 19 | RFN 12/439/T |
| 20 | RFN 12/411/T |
| 21 | RFN 12/412/T |
| 22 | RFN 99/218 |
| 23 | RFN 12/415/T |
| 24 | RFN 12/438/T |
| 25 | RFN TU/EL13 |
| 26 | RFN 12/435/T2 |
| 27 | RFN 99/015 |
| 28 | RFN 12/432/T |
| 29 | RFN 99/334 |
| 30 | RFN 12/401 |
| 31 | RFN 99/209 |
| 32 | RFN 99/602 |
| 33 | RFN 12/418/T |
| 34 | RFN 99/527 |
| 35 | RFN 99/256 |
| 36 | RFN 12/409/T |
| 37 | RFN CS/6000/2RS |
| 38 | RFN 12/405/T |
| 39 | RFN 12/516 |
| 40 | RFN 12/403/T |
| 41 | RFN 12/404/T |
| 42 | RFN 12/407 |
| 43 | RFN 99/050/2 |
| 44 | RFN 12/410/T |



Rim® TAV.10

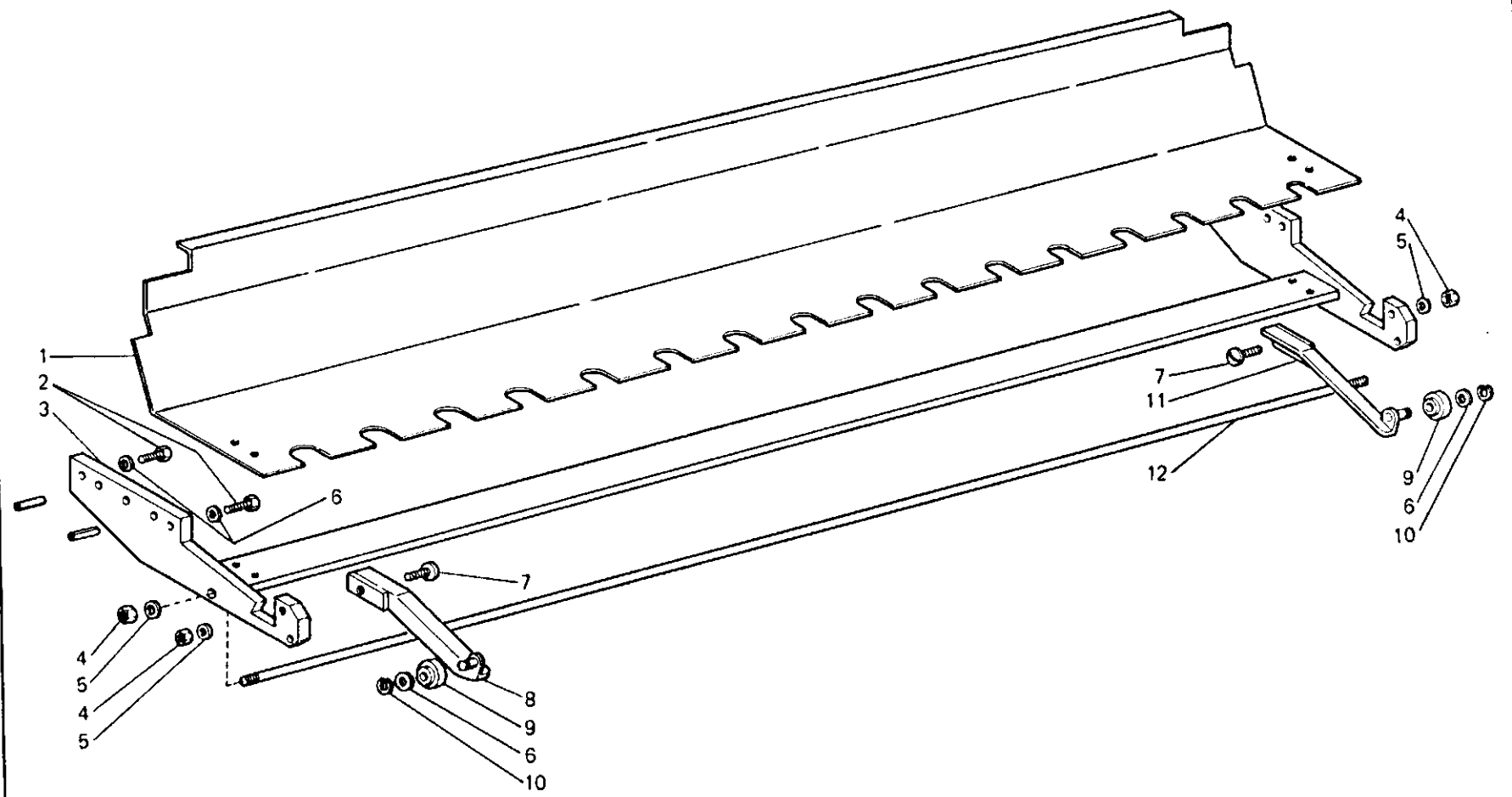


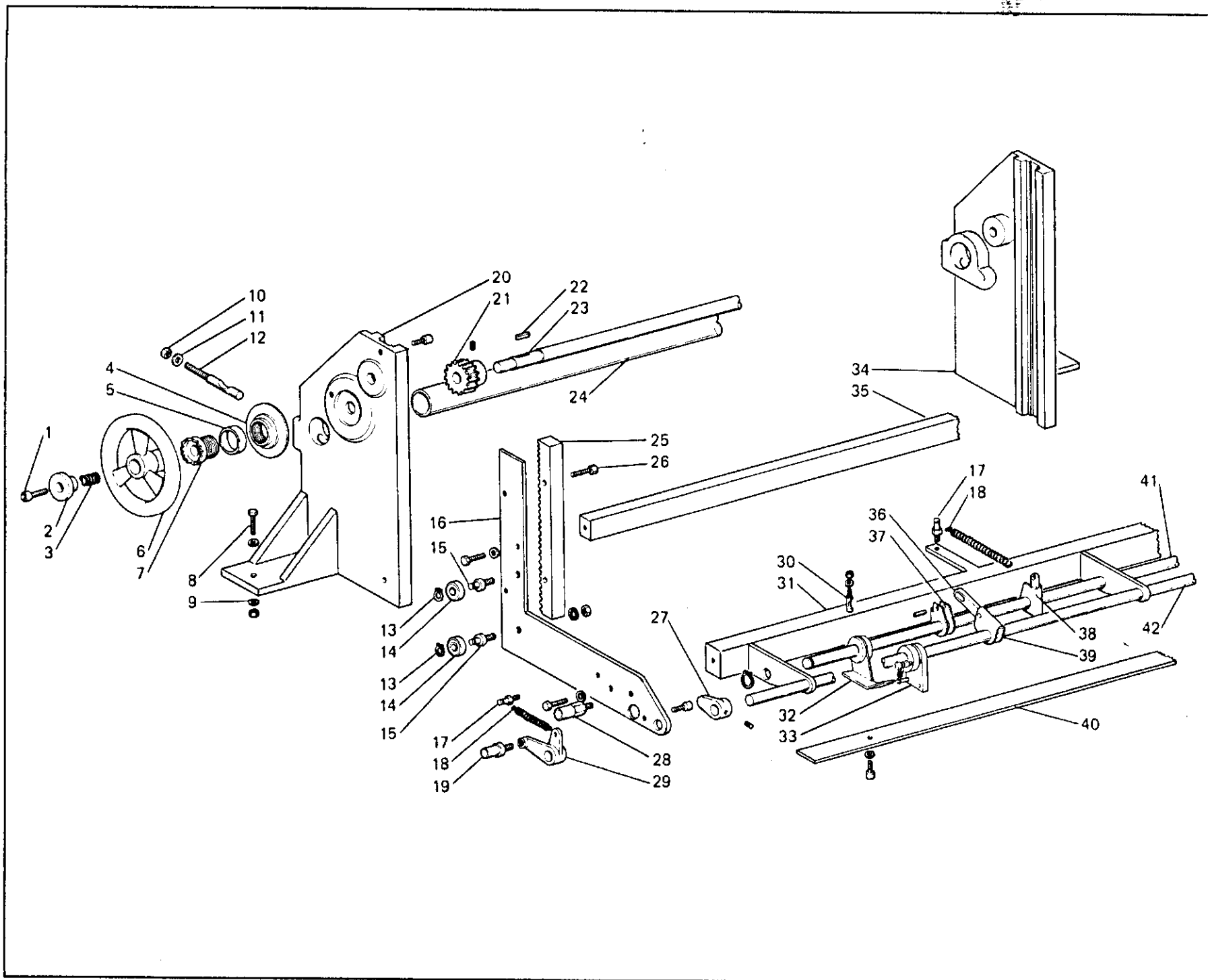
| Fig. N. | Part. N. / Piece N. |
|---------|---------------------|
| 1 | RFN 14/067 |
| 2 | RFN 14/063 |
| 3 | RFN 99/208 |
| 4 | RFN 14/087 |
| 5 | RFN 99/529 |
| 6 | RFN 99/217 |
| 7 | RFN 81/15 |
| 8 | RFN 14/052 |
| 9 | RFN 99/528 |
| 10 | RFN 99/809 |
| 11 | RFN 14/053 |
| 12 | RFN 14/055 |
| 13 | RFN 97/008 |
| 14 | RFN 14/065 |
| 15 | RFN 14/033 |
| 16 | RFN 13/002 |
| 17 | RFN 99/334 |
| 18 | RFN 99/604 |
| 19 | RFN CS/608/Z |
| 20 | RFN 99/532 |
| 21 | RFN 98/011 |
| 22 | RFN 14/051 |
| 23 | RFN 99/015 |
| 24 | RFN 13/011 |
| 25 | RFN 14/060 |
| 26 | RFN 14/058 |
| 27 | RFN 14/059 |
| 28 | RFN 14/061/A |
| 29 | RFN 14/062 |
| 30 | RFN 14/063/A |
| 31 | RFN 14/062/B |
| 32 | RFN 13/032 |
| 33 | RFN 13/001 |
| 34 | RFN 99/333 |
| 35 | RFN 14/057 |
| 36 | RFN 14/064 |
| 37 | RFN 14/049 |
| 38 | RFN 98/310/B |

Rim® TAV.11

Fig. N. Part. N. / Place N.

- 1 RFN 14/066
- 2 RFN 99/024
- 3 RFN 14/082
- 4 RFN 97/006
- 5 RFN 99/605
- 6 RFN 99/604
- 7 RFN 14/088/1
- 8 RFN 14/085/1
- 9 RFN 90/58/1
- 10 RFN 98/304
- 11 RFN 14/084/1
- 12 RFN 14/082/3



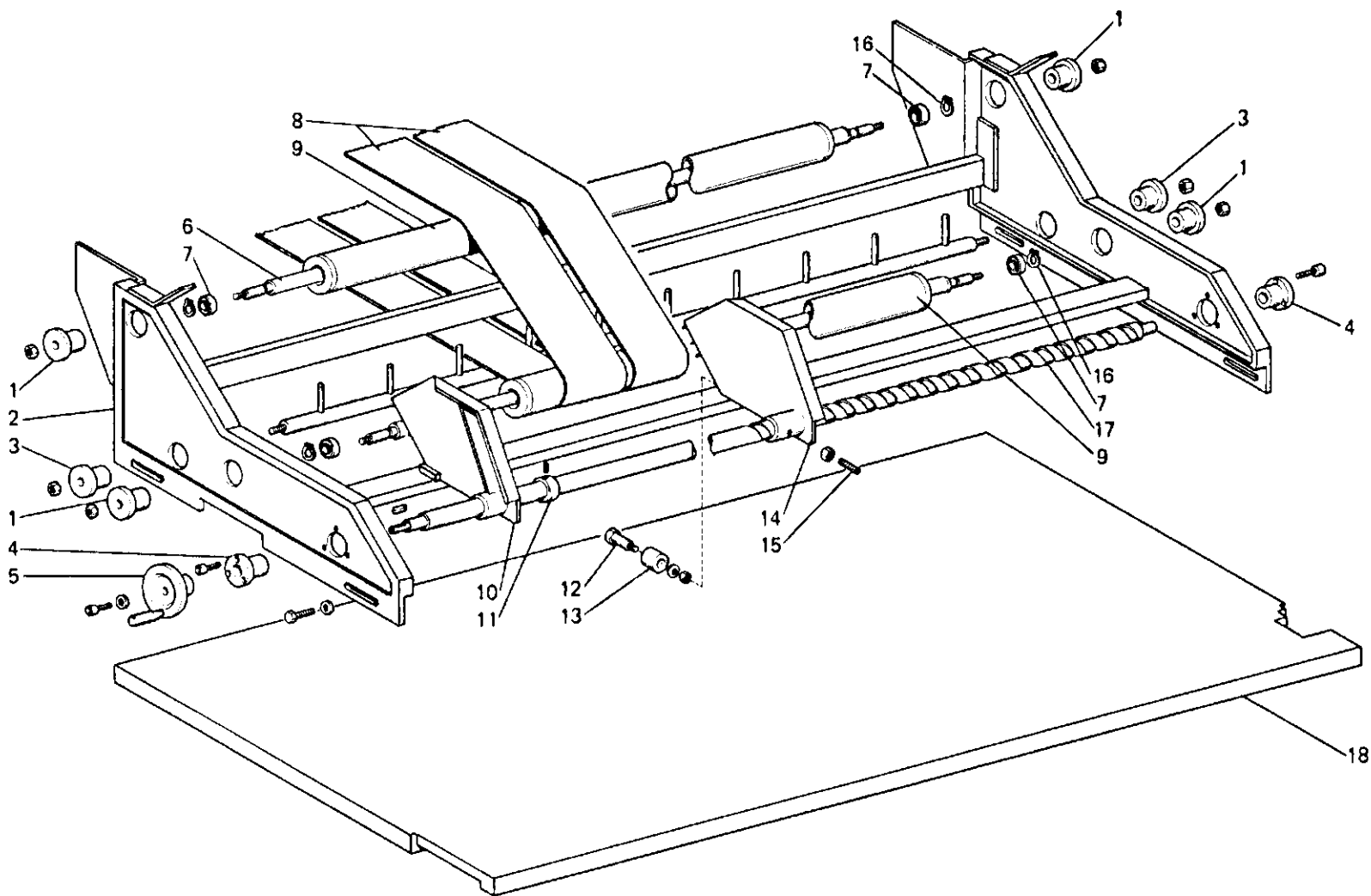


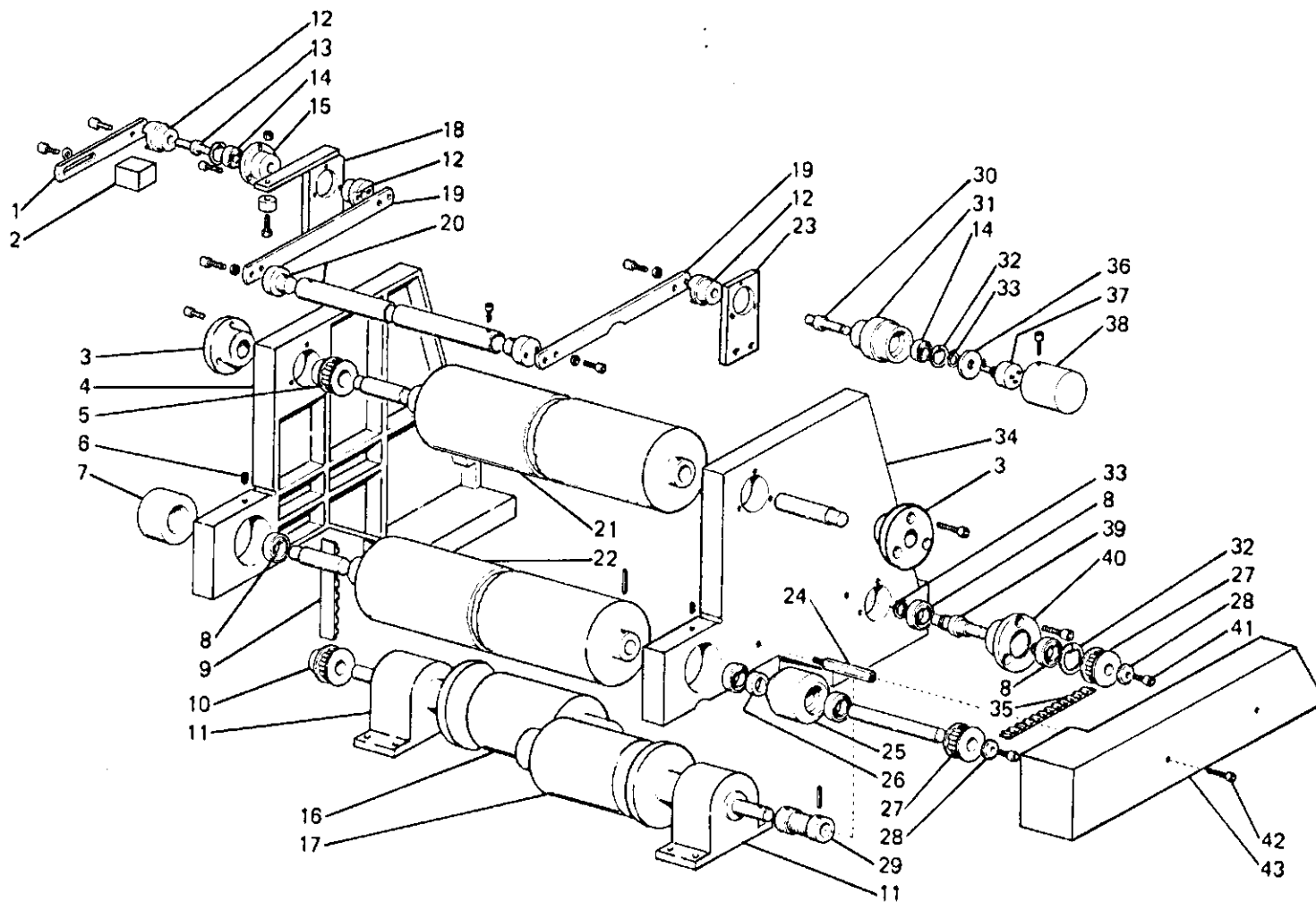
| Fig. N. | Part. N. / Piece N. |
|---------|---------------------|
| 1 | RFN Z/99/229 |
| 2 | RFN 08/108 |
| 3 | RFN 08/122 |
| 4 | RFN 08/120 |
| 5 | RFN 14/702 |
| 6 | RFN 08/107 |
| 7 | RFN 08/105 |
| 8 | RFN Z/99/034 |
| 9 | RFN Z/99/605 |
| 10 | RFN Z/99/532 |
| 11 | RFN Z/99/607 |
| 12 | RFN 14/604 |
| 13 | RFN Z/98/308 |
| 14 | RFN VC/6000 |
| 15 | RFN 14/610 |
| 16 | RFN 14/703/1 |
| 17 | RFN 08/115 |
| 18 | RFN 14/710 |
| 19 | RFN 14/709 |
| 20 | RFN 14/601 |
| 21 | RFN 14/606 |
| 22 | RFN Z/98/210 |
| 23 | RFN 14/701 |
| 24 | RFN 14/603 |
| 25 | RFN 14/609 |
| 26 | RFN Z/99/233 |
| 27 | RFN 14/711 |
| 28 | RFN 14/712 |
| 29 | RFN 14/708 |
| 30 | RFN 14/718 |
| 31 | RFN 14/705/1 |
| 32 | RFN 14/750 |
| 33 | RFN 14/754/C |
| 34 | RFN 14/602 |
| 35 | RFN 14/613 |
| 36 | RFN 14/722/1 |
| 37 | RFN 14/727 |
| 38 | RFN 14/726 |
| 39 | RFN 14/721 |
| 40 | RFN 14/720 |
| 41 | RFN 14/707 |
| 42 | RFN 14/706 |

Rim[®] TAV.13

| Fig. N. | Part. N. Piese N. |
|---------|----------------------|
|---------|----------------------|

- | | |
|----|--------------|
| 1 | RFN 14/973 |
| 2 | RFN 14/970 |
| 3 | RFN 14/977 |
| 4 | RFN 14/980 |
| 5 | RFN 14/988 |
| 6 | RFN 14/972 |
| 7 | RFN VC/6004 |
| 8 | RFN 14/995 |
| 9 | RFN 14/971 |
| 10 | RFN 14/986 |
| 11 | RFN 14/987 |
| 12 | RFN 14/983 |
| 13 | RFN 14/984 |
| 14 | RFN 14/985 |
| 15 | RFN 14/993 |
| 16 | RFN Z/98/309 |
| 17 | RFN 14/981 |
| 18 | RFN 25/016/3 |

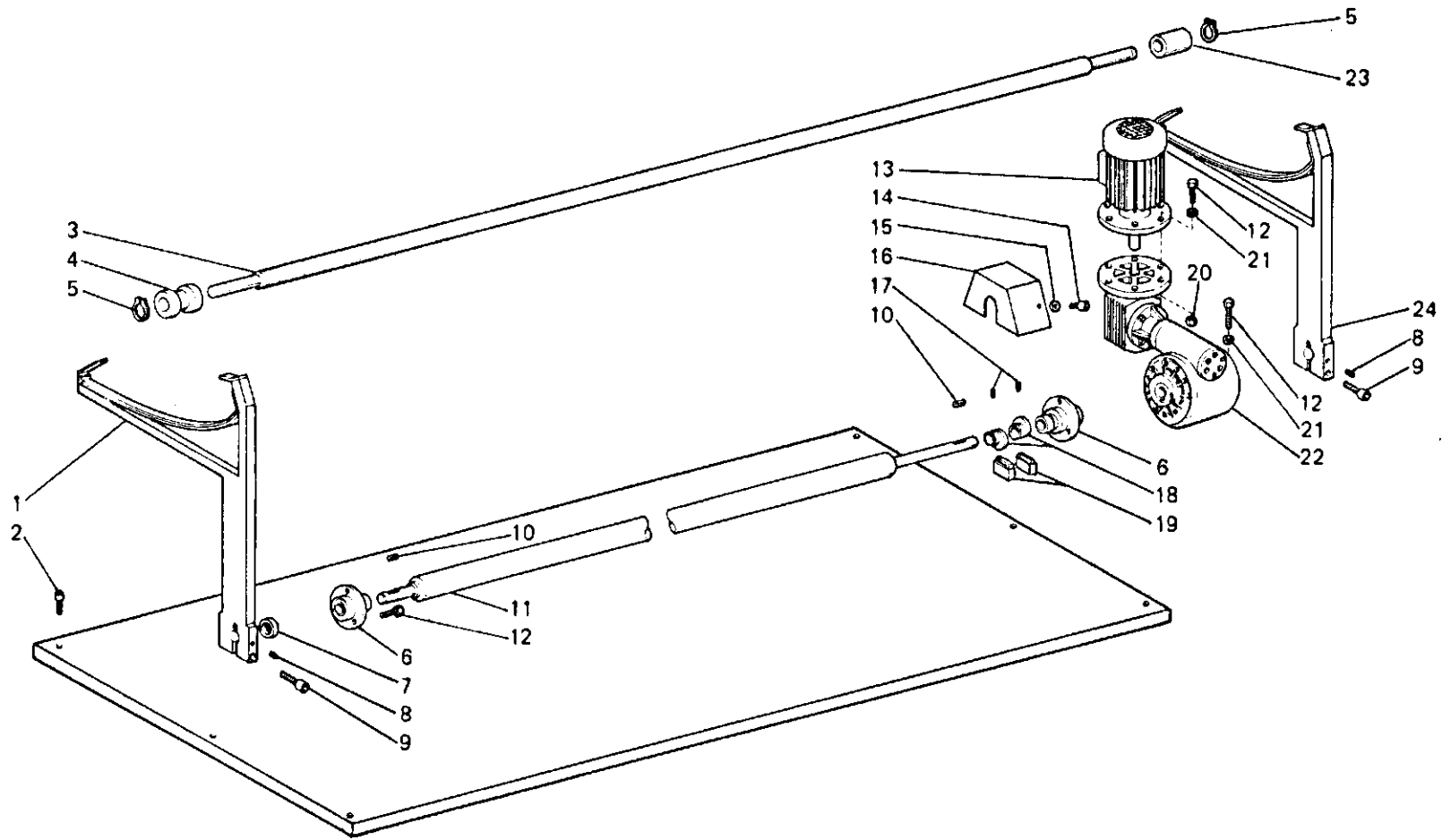


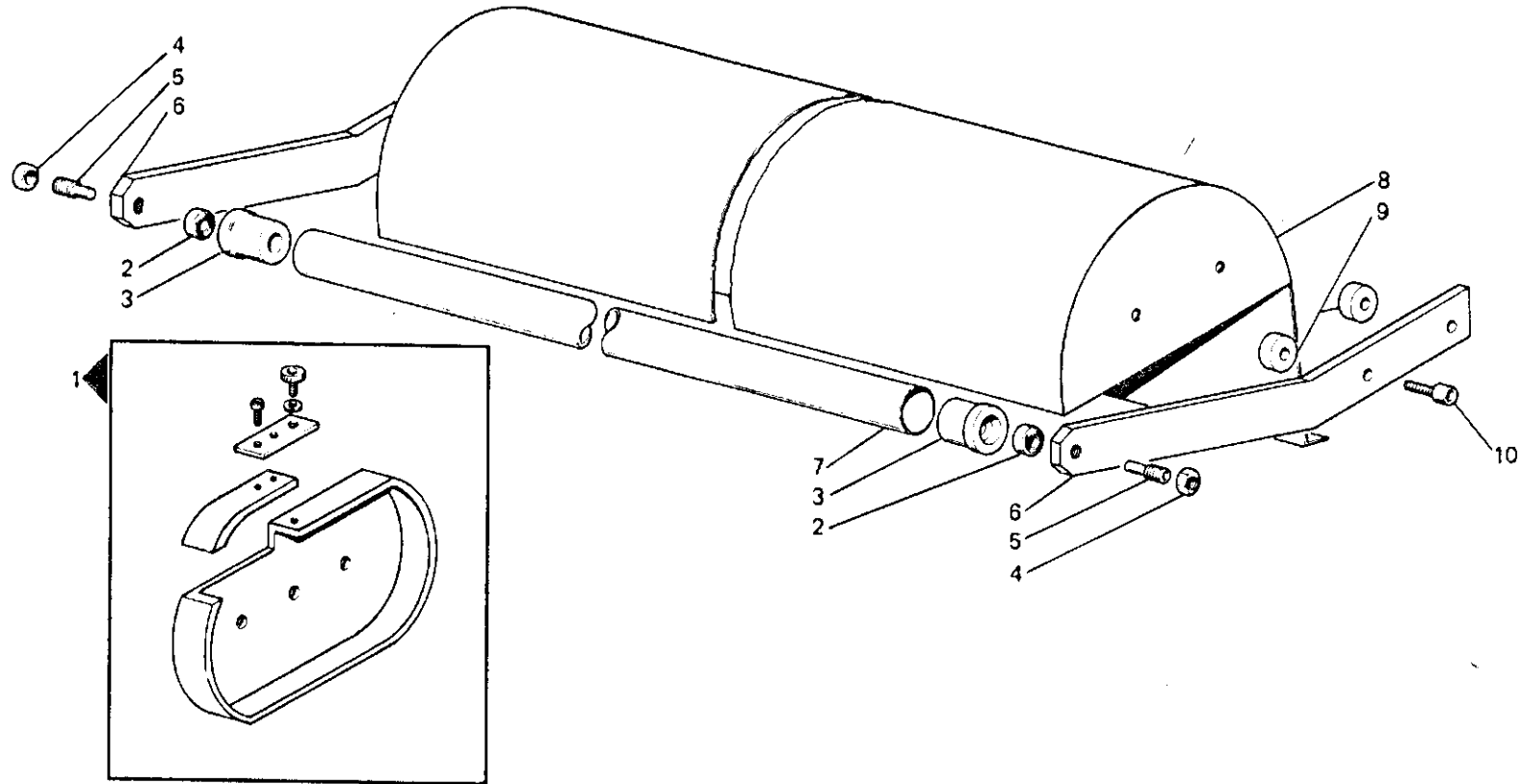


| Fig. N. | Part. N. / Piece N. |
|---------|---------------------|
| 1 | RFN 25/009 |
| 2 | RFN 25/008 |
| 3 | RFN KOYO |
| 4 | RFN 25/021 |
| 5 | RFN 25/032 |
| 6 | RFN Z/99/431 |
| 7 | RFN 25/035 |
| 8 | RFN VC/6004 |
| 9 | RFN 285/L100 |
| 10 | RFN 25/033 |
| 11 | RFN E/048 |
| 12 | RFN 25/010 |
| 13 | RFN 25/011 |
| 14 | RFN VC/6001 |
| 15 | RFN 25/012 |
| 16 | RFN E/046/1 |
| 17 | RFN E/046 |
| 18 | RFN 25/004 |
| 19 | RFN 25/013 |
| 20 | RFN 25/014 |
| 21 | RFN 25/017 |
| 22 | RFN 25/025 |
| 23 | RFN 25/003 |
| 24 | RFN 25/038 |
| 25 | RFN 25/037 |
| 26 | RFN 25/027 |
| 27 | RFN 25/029 |
| 28 | RFN 25/019 |
| 29 | RFN 25/030 |
| 30 | RFN 25/024 |
| 31 | RFN 25/007 |
| 32 | RFN 25/002 |
| 33 | RFN Z/98/419 |
| 34 | RFN Z/98/309 |
| 35 | RFN 25/020 |
| 36 | RFN 270/L100 |
| 37 | RFN 25/001 |
| 38 | RFN E/006 |
| 39 | RFN 25/005 |
| 40 | RFN 25/023 |
| 41 | RFN 25/037 |
| 42 | RFN Z/99/231 |
| 43 | RFN Z/99/220 |
| | RFN 25/031/1 |

Rim® TAV.15

| Fig. N. | Part. N. Pèce N. |
|---------|---------------------|
| 1 | RFN 14/994/D |
| 2 | RFN Z/99/245 |
| 3 | RFN 14/992 |
| 4 | RFN 14/989 |
| 5 | RFN Z/98/313 |
| 6 | RFN VC/KOYO/25 |
| 7 | RFN 20/017 |
| 8 | RFN Z/99/442/C |
| 9 | RFN Z/99/261 |
| 10 | RFN Z/98/234 |
| 11 | RFN 20/016 |
| 12 | RFN Z/99/026 |
| 13 | RFN 20/002/1 |
| 14 | RFN Z/99/218 |
| 15 | RFN Z/99/603 |
| 16 | RFN 20/021 |
| 17 | RFN Z/99/421/C |
| 18 | RFN 20/018 |
| 19 | RFN M/20/005 |
| 20 | RFN Z/99/530 |
| 21 | RFN Z/99/605 |
| 22 | RFN 20/002 |
| 23 | RFN 14/990 |
| 24 | RFN 14/994/S |



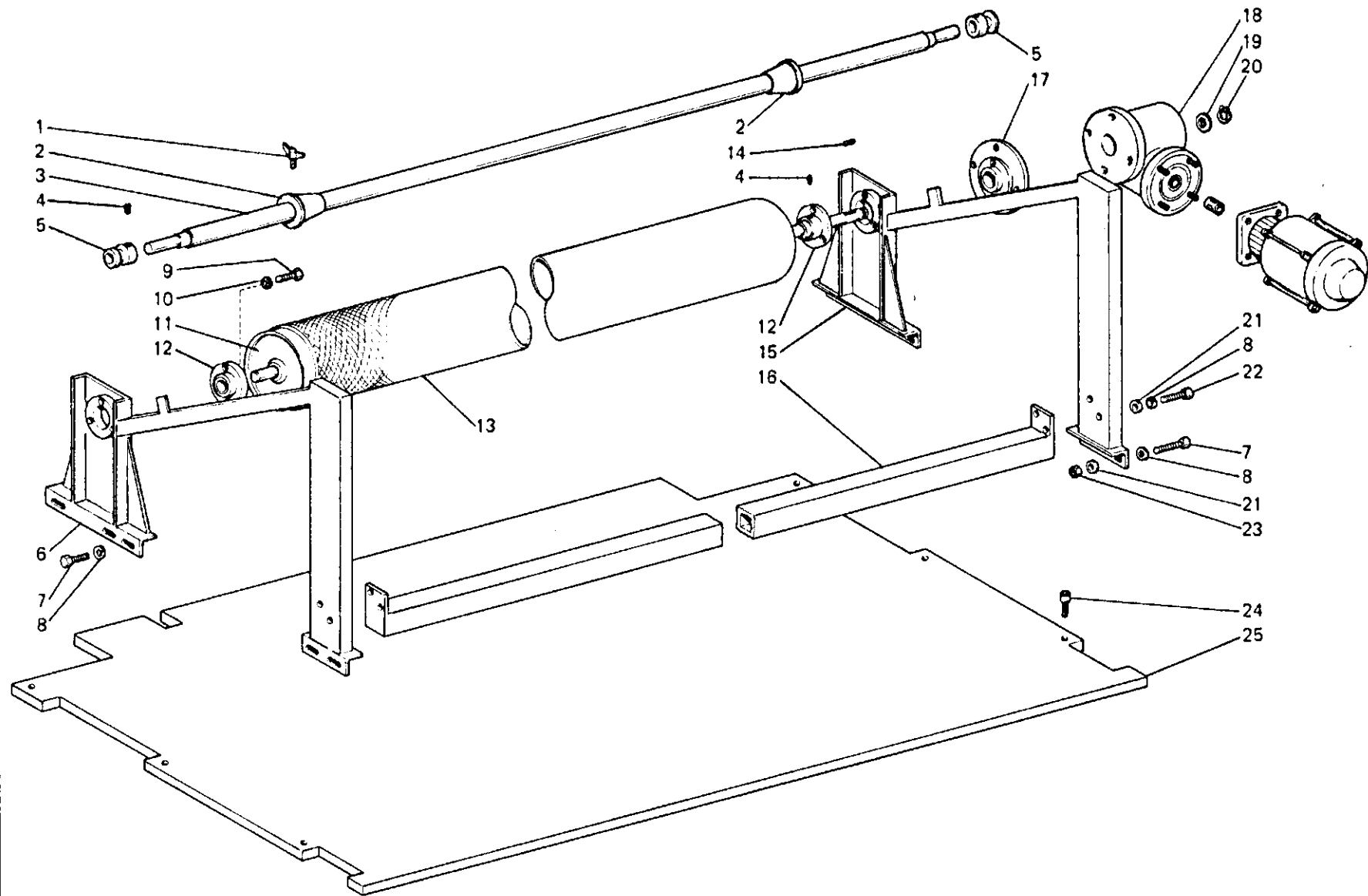


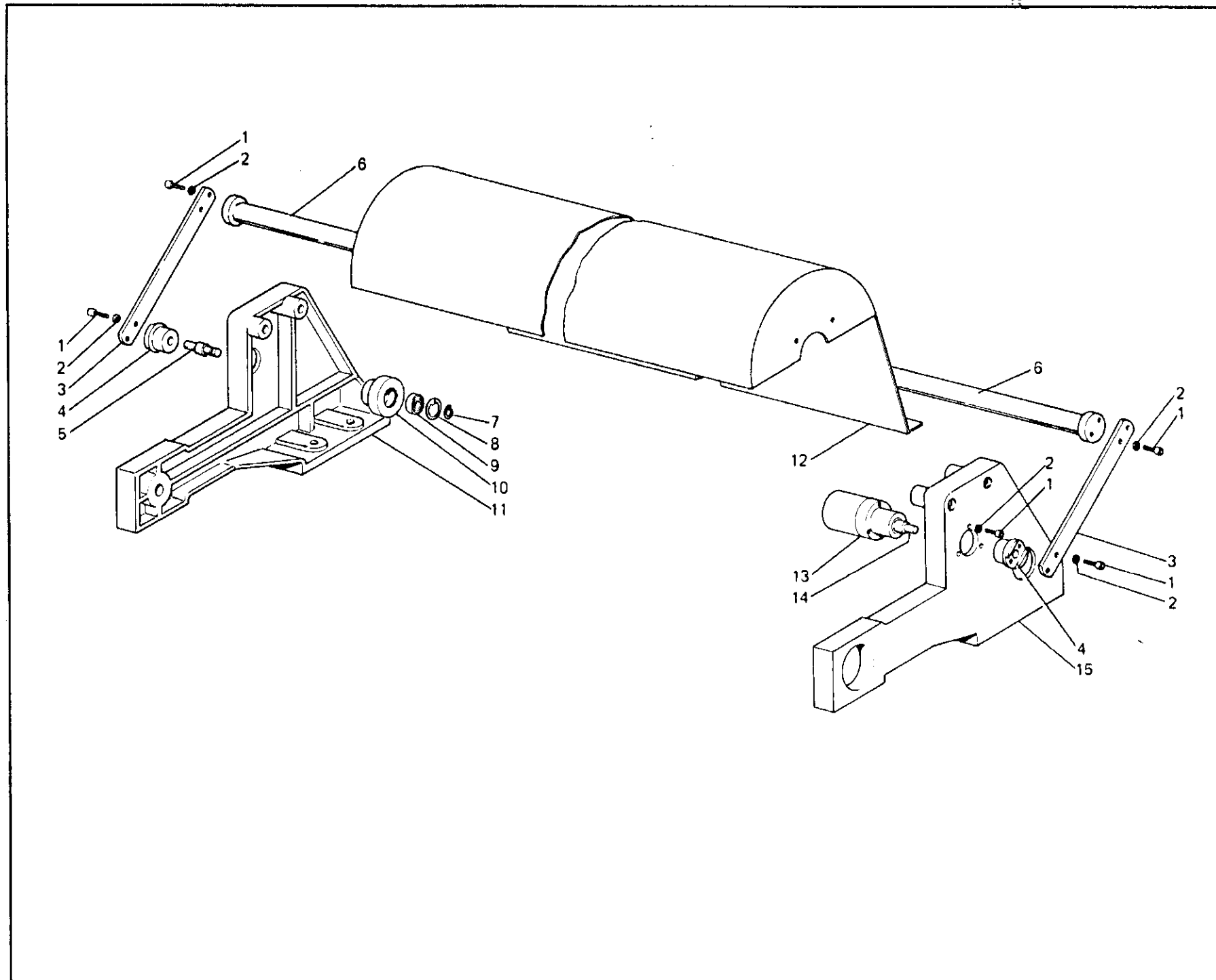
| Fig. N. | Part. N. Piese N. |
|---------|----------------------|
| 1 | RFN 14/312 |
| 2 | RFN VC/608 |
| 3 | RFN 12/227 |
| 4 | RFN Z/99/532 |
| 5 | RFN 14/065 |
| 6 | RFN 14/826 |
| 7 | RFN 14/827 |
| 8 | RFN 14/322 |
| 9 | RFN 14/323 |
| 10 | RFN Z/99/120 |

Rim® TAV.17

| Fig. N. | Part. N. / Pezce N. |
|---------|------------------------|
|---------|------------------------|

- | | |
|----|----------------|
| 1 | RFN 98/113 |
| 2 | RFN 14/869 |
| 3 | RFN 14/866/1 |
| 4 | RFN 99/431/A |
| 5 | RFN 15/045 |
| 6 | RFN 14/851 |
| 7 | RFN 99/132 |
| 8 | RFN 99/627 |
| 9 | RFN 99/024 |
| 10 | RFN 99/626 |
| 11 | RFN 14/854 |
| 12 | RFN KOYO/25 |
| 13 | RFN 14/870 |
| 14 | RFN 98/234 |
| 15 | RFN 14/852 |
| 16 | RFN 14/853 |
| 17 | RFN 14/855 |
| 18 | RFN 14/856 |
| 19 | RFN 12/055 |
| 20 | RFN 98/313 |
| 21 | RFN 99/605 |
| 22 | RFN 99/137 |
| 23 | RFN 99/506 |
| 24 | RFN 99/245 |
| 25 | RFN 25/016/5 |
| 26 | RFN Adattatore |
| 27 | RFN E/046/2 |



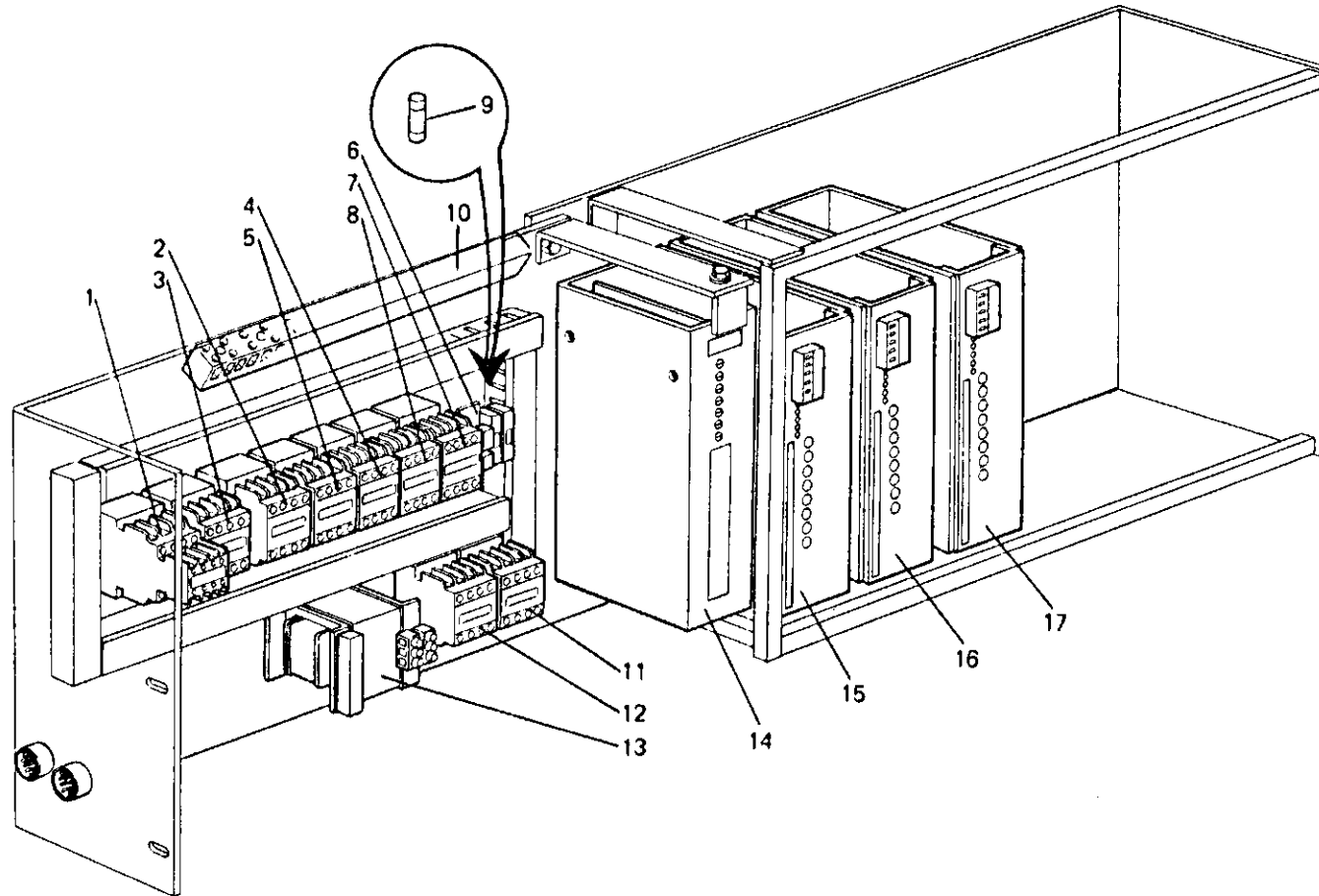


| Fig. N. | Part. N. Piece N. |
|---------|-------------------|
| 1 | RFN 99/218 |
| 2 | RFN 99/603 |
| 3 | RFN 25/704 |
| 4 | RFN 25/010 |
| 5 | RFN 25/011 |
| 6 | RFN 25/706 |
| 7 | RFN 98/309 |
| 8 | RFN 98/413 |
| 9 | RFN CS/6001 |
| 10 | RFN 25/012 |
| 11 | RFN 25/702 |
| 12 | RFN 14/322 |
| 13 | RFN 25/707 |
| 14 | RFN 25/708 |
| 15 | RFN 25/701 |

Rim® TAV.19

| Fig. N. | Part. N. Pice N. |
|---------|---------------------|
|---------|---------------------|

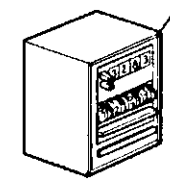
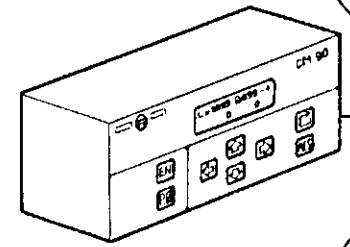
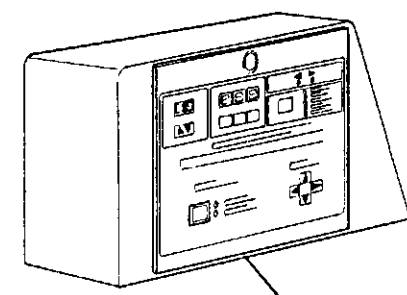
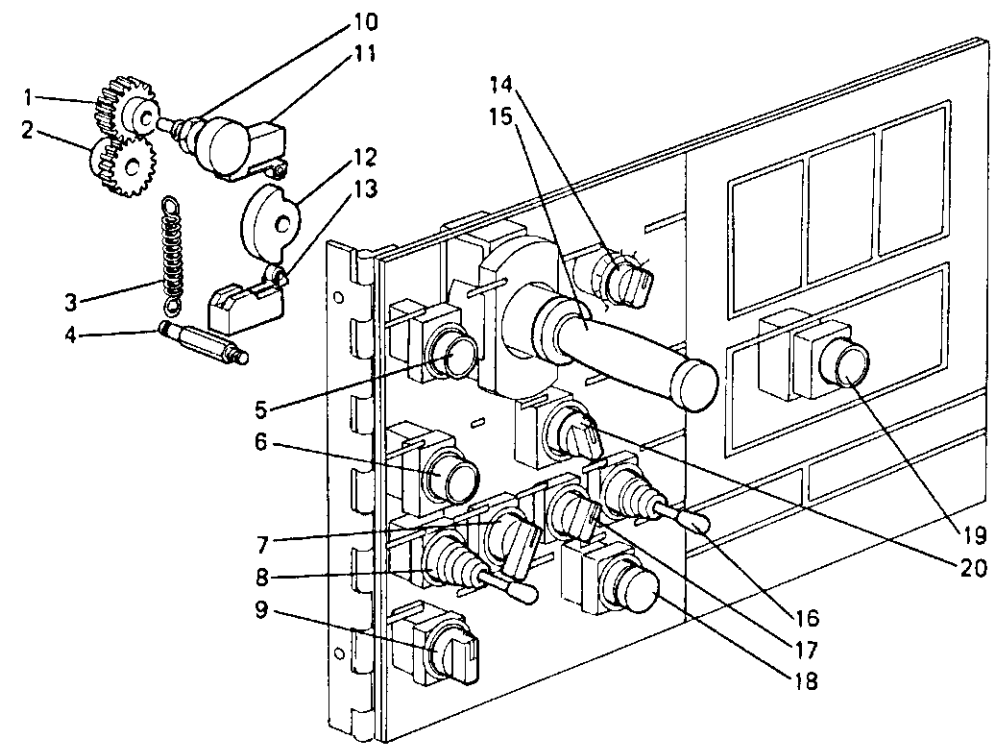
- | | |
|----|----------|
| 1 | RFN K1 |
| 2 | RFN K3 |
| 3 | RFN K2 |
| 4 | RFN K5 |
| 5 | RFN K4 |
| 6 | RFN KP2 |
| 7 | RFN K7 |
| 8 | RFN K6 |
| 9 | RFN F |
| 10 | RFN XA |
| 11 | RFN K9 |
| 12 | RFN K8 |
| 13 | RFN T1VA |
| 14 | RFN A1 |
| 15 | RFN U1 |
| 16 | RFN U2 |
| 17 | RFN U3 |



Rim® TAV.20

| Fig. N. | Part. N. / Piece N. |
|---------|---------------------|
|---------|---------------------|

- | | |
|----|--------------|
| 1 | RFN 14/293 |
| 2 | RFN 14/294 |
| 3 | RFN 14/298 |
| 4 | RFN 14/296/1 |
| 5 | RFN SP6 |
| 6 | RFN SP11 |
| 7 | RFN SP18 |
| 8 | RFN SP12 |
| 9 | RFN RR |
| 10 | RFN RRVM |
| 11 | RFN SM15 |
| 12 | RFN 14/285 |
| 13 | RFN SM16 |
| 14 | RFN RRV |
| 15 | RFN 14/280/G |
| 16 | RFN SP3 |
| 17 | RFN SP17 |
| 18 | RFN SP1 |
| 19 | RFN SP16 |
| 20 | RFN SP9 |
| 21 | RFN CM92 |
| 22 | RFN CM90 |
| 23 | RFN P1 |

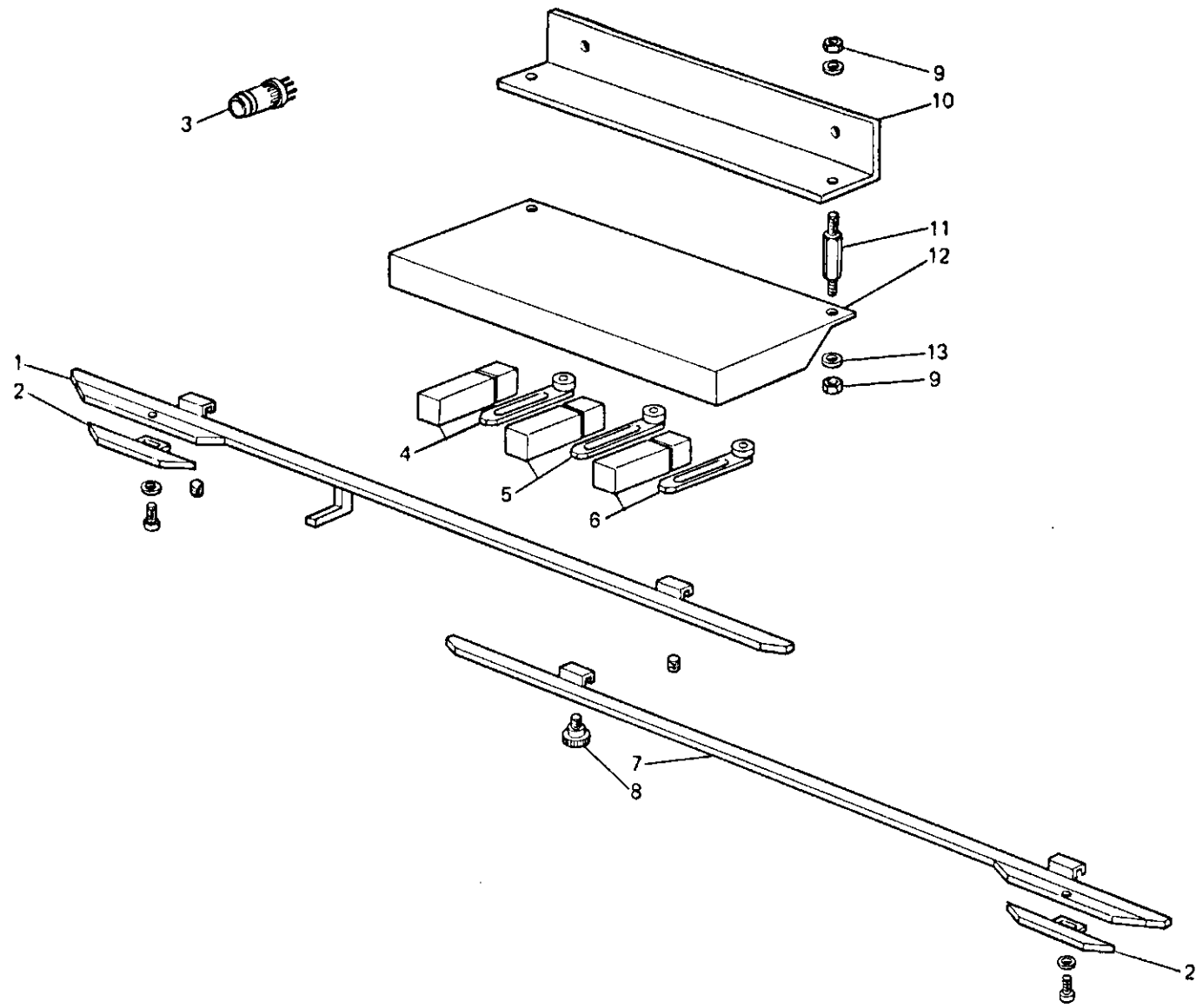


21
22
23

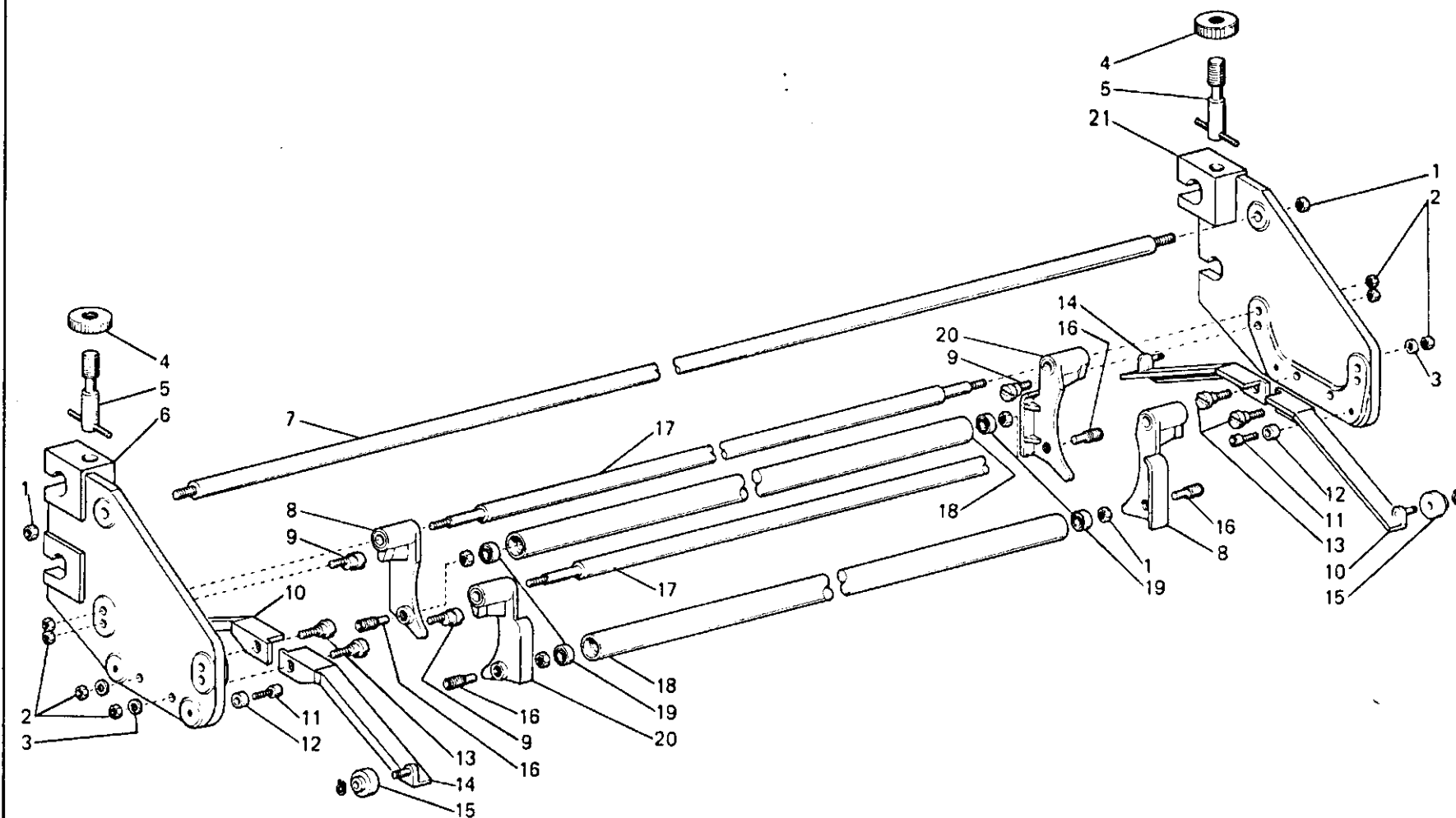
**IN ALTERNATIVA
ALTERNATELY
EN ALTERNATIVE**

Rim® TAY.21

| Fig. N. | Part N. Piece N. |
|---------|---------------------|
| 1 | RFN E/073 |
| 2 | RFN E/070 |
| 3 | RFN E/027 |
| 4 | RFN SM18 |
| 5 | RFN SM19 |
| 6 | RFN SM20 |
| 7 | RFN E/074 |
| 8 | RFN 12/195/1 |
| 9 | RFN 99/530 |
| 10 | RFN 12/193 |
| 11 | RFN E/072 |
| 12 | RFN E/069 |
| 13 | RFN 99/627 |



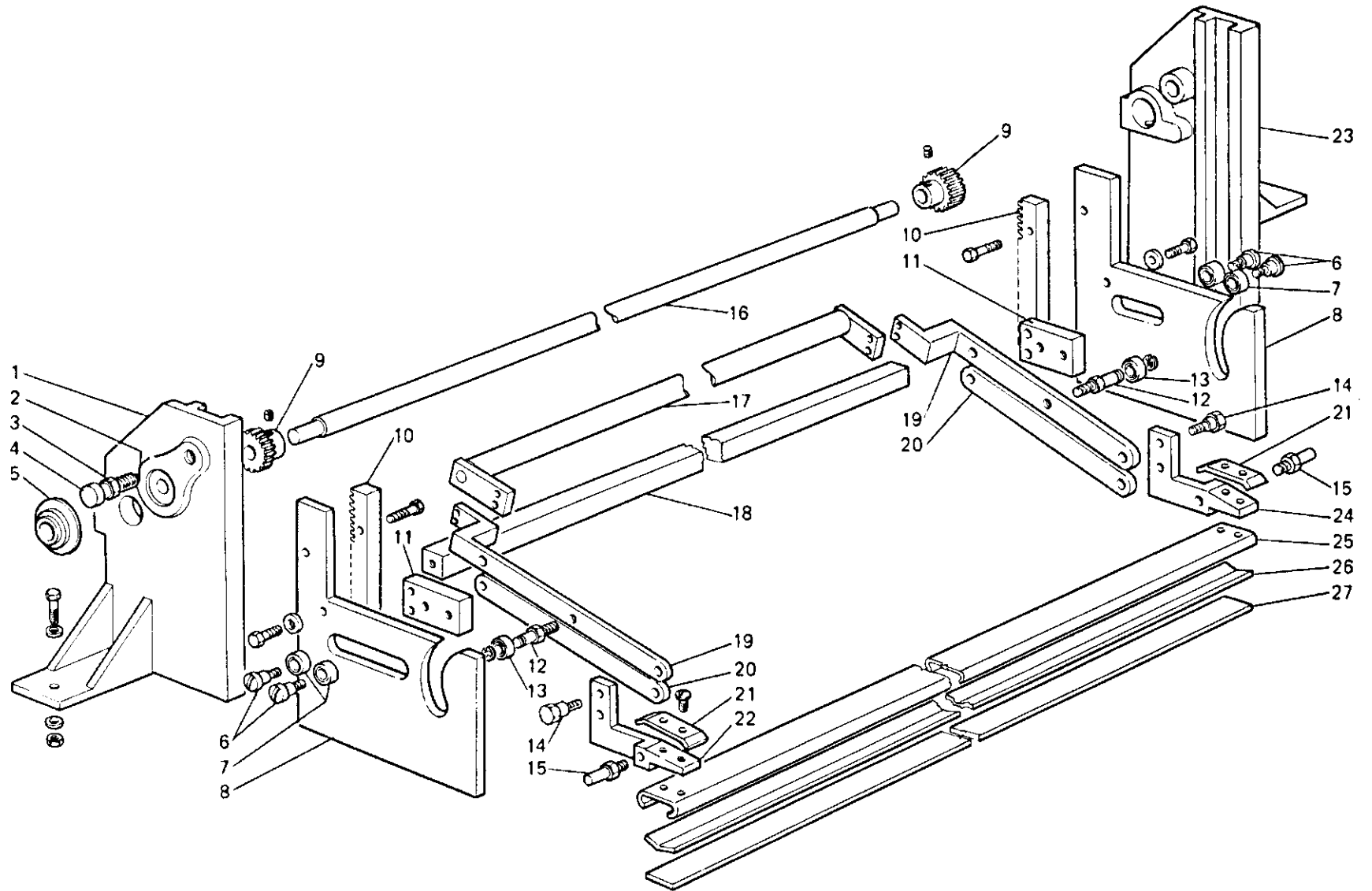
Rim® TAV.22



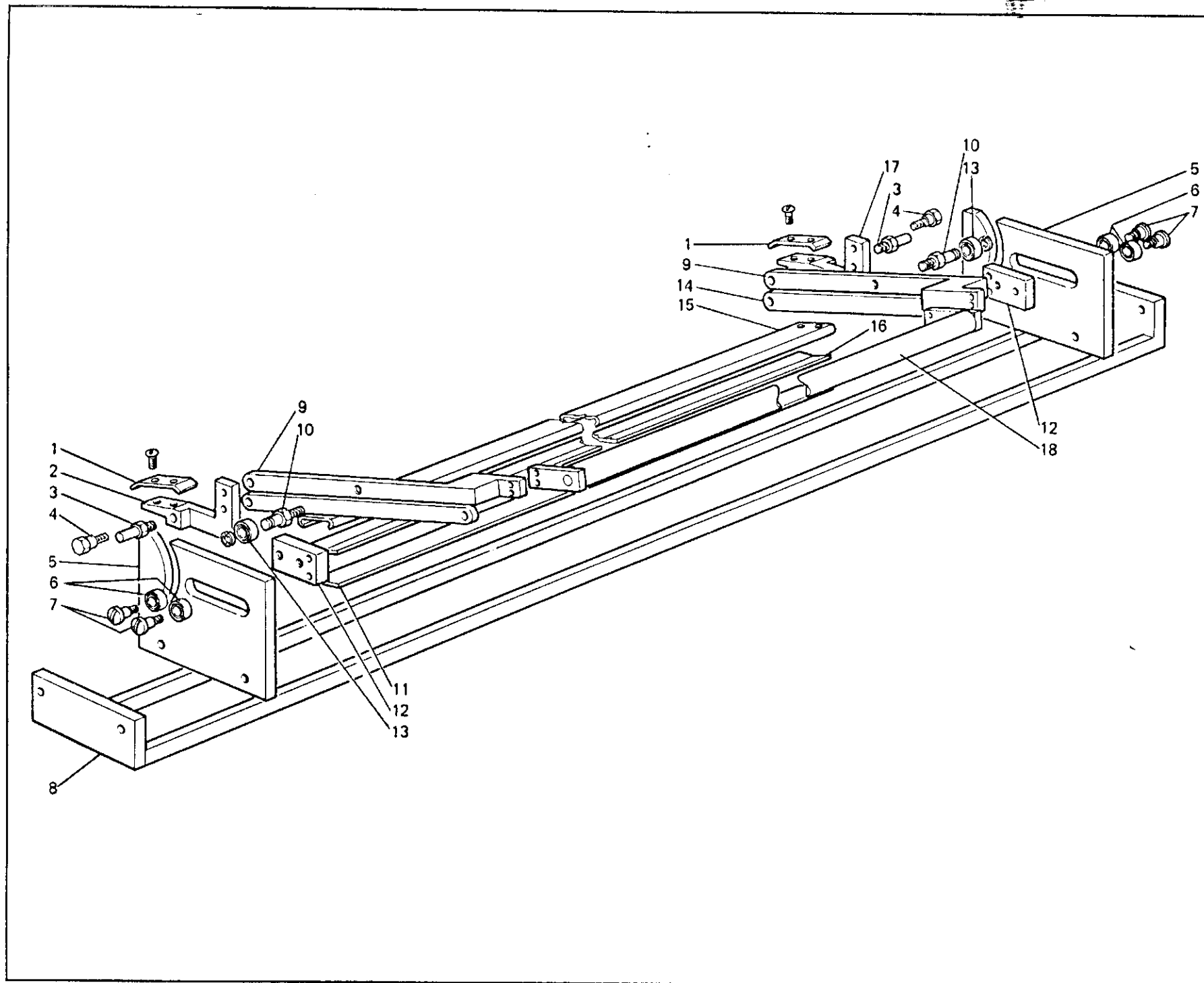
| Fig. N. | Part. N. Piec. N. |
|---------|----------------------|
| 1 | RFN Z/99/532 |
| 2 | RFN Z/99/530 |
| 3 | RFN Z/99/605 |
| 4 | RFN 13/033/1 |
| 5 | RFN 13/032/1 |
| 6 | RFN 13/004/1 |
| 7 | RFN 13/011 |
| 8 | RFN 13/013/S |
| 9 | RFN 13/041 |
| 10 | RFN 13/016/1 |
| 11 | RFN Z/99/229 |
| 12 | RFN 14/088 |
| 13 | RFN 13/018/1 |
| 14 | RFN 13/017/1 |
| 15 | RFN 09/058/1 |
| 16 | RFN 14/065/1 |
| 17 | RFN 13/012 |
| 18 | RFN 13/015/1 |
| 19 | RFN VC/0608 |
| 20 | RFN 13/013/D |
| 21 | RFN 13/003/1 |

Rim® TAV.23

| Fig. N. | Part. N. Piece N. |
|---------|----------------------|
| 1 | RFN 14/601 |
| 2 | RFN 14/615 |
| 3 | RFN 14/614 |
| 4 | RFN 14/616 |
| 5 | RFN 08/120 |
| 6 | RFN 26/164 |
| 7 | RFN VC/6000 |
| 8 | RFN 26/168 |
| 9 | RFN 14/606 |
| 10 | RFN 14/609 |
| 11 | RFN 26/163 |
| 12 | RFN 26/160 |
| 13 | RFN Cusc. rullo |
| 14 | RFN 26/157 |
| 15 | RFN 26/159 |
| 16 | RFN 14/605 |
| 17 | RFN 26/165 |
| 18 | RFN 26/166 |
| 19 | RFN 26/162 |
| 20 | RFN 26/158 |
| 21 | RFN 26/168/1 |
| 22 | RFN 26/155 |
| 23 | RFN 14/602 |
| 24 | RFN 26/152 |
| 25 | RFN 26/153 |
| 26 | RFN 14/620 |
| 27 | RFN 09/116 |



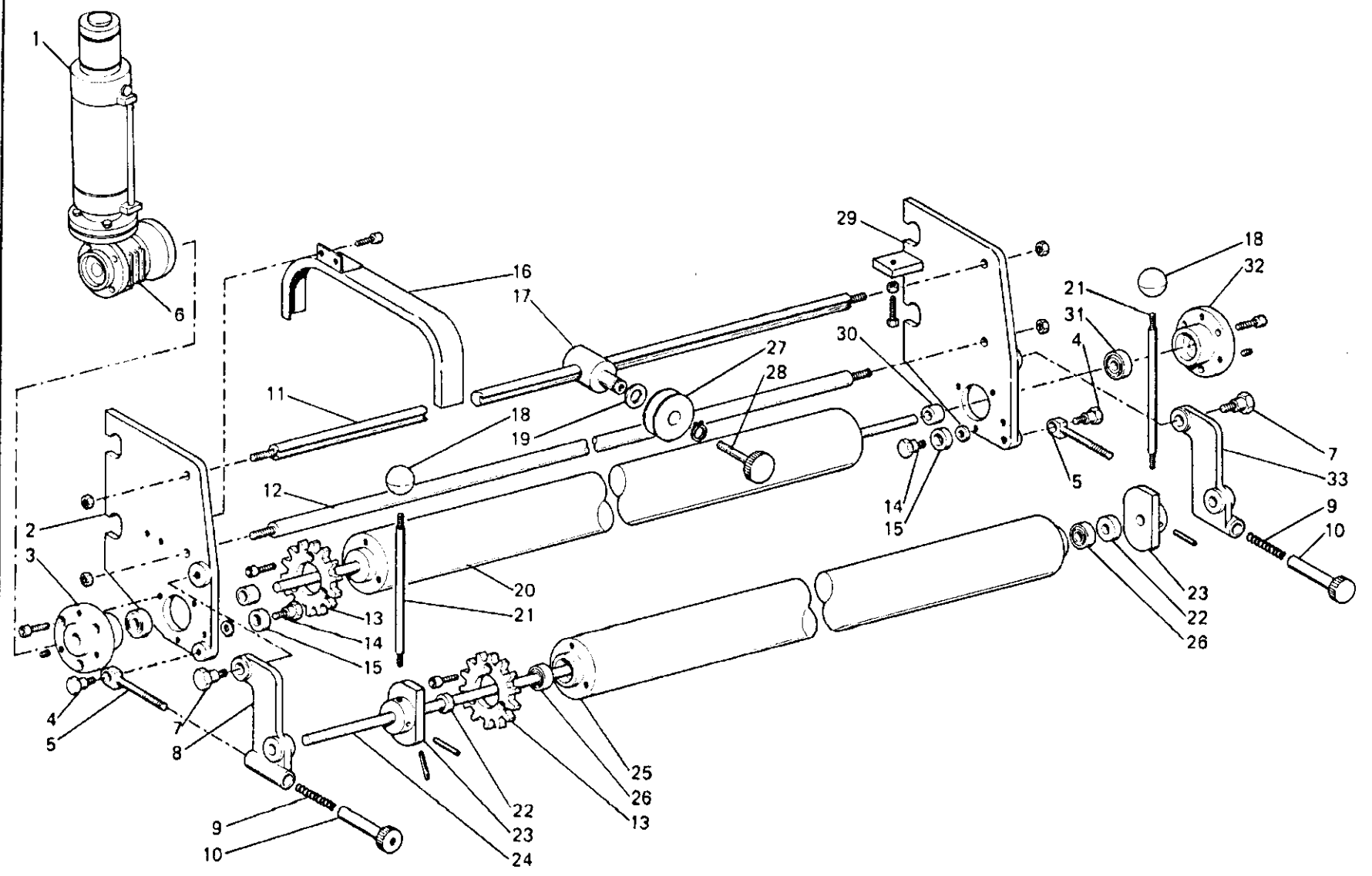
Rim® TAV.24

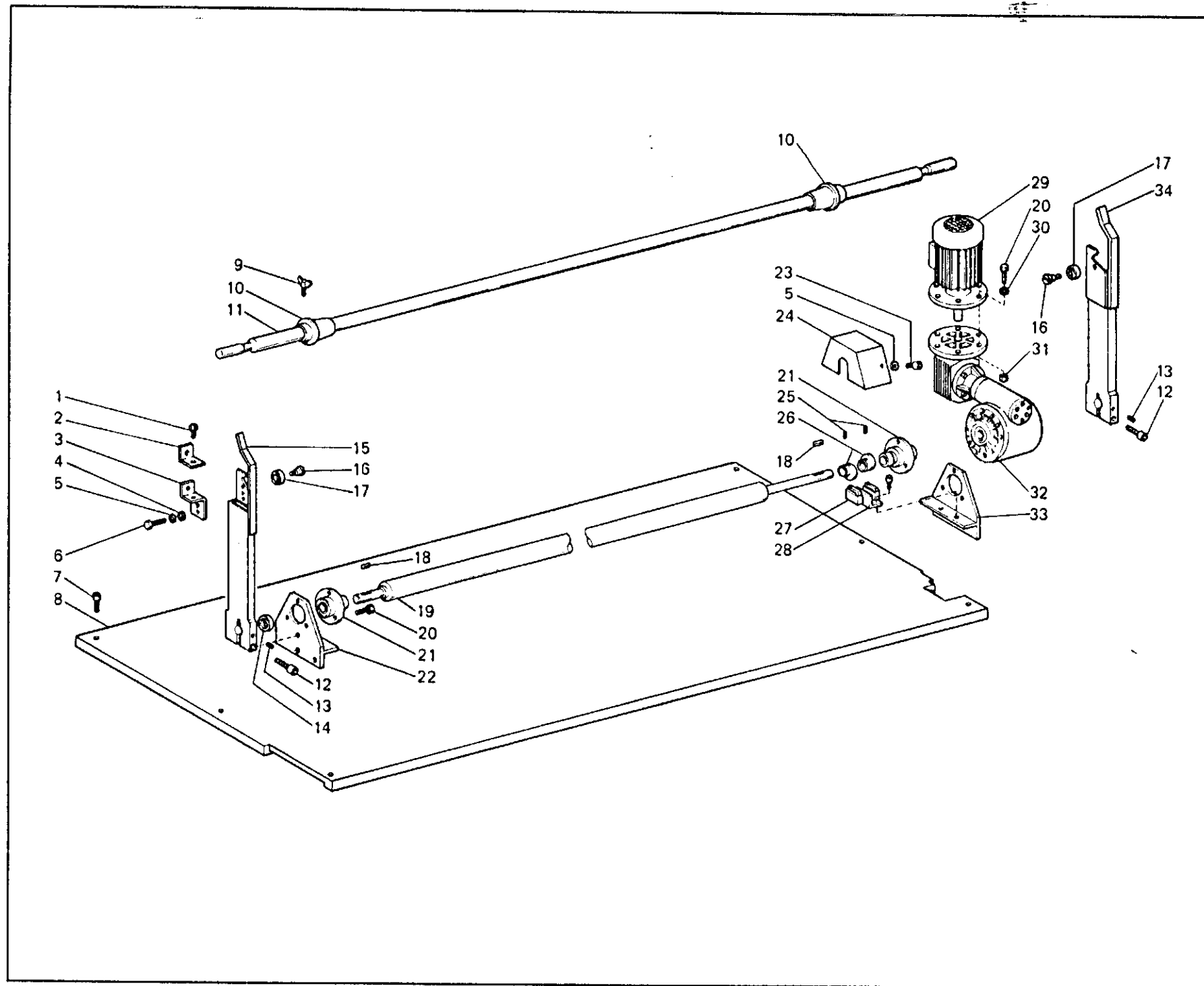


| Fig. N. | Part. N. Pèce N. |
|---------|---------------------|
| 1 | RFN 26/168/1 |
| 2 | RFN 26/152 |
| 3 | RFN 26/159 |
| 4 | RFN 26/157 |
| 5 | RFN 26/154 |
| 6 | RFN VC/6000 |
| 7 | RFN 26/164 |
| 8 | RFN 26/151 |
| 9 | RFN 26/162 |
| 10 | RFN 26/160 |
| 11 | RFN 09/116 |
| 12 | RFN 26/163 |
| 13 | RFN Cusc. rullo |
| 14 | RFN 26/158 |
| 15 | RFN 26/153 |
| 16 | RFN 14/620 |
| 17 | RFN 26/155 |
| 18 | RFN 26/165 |

Rim[®] TAV.25

| Fig. N. | Part. N. Pièce N. |
|---------|----------------------|
| 1 | RFN E/046/3 |
| 2 | RFN 14/802 |
| 3 | RFN 14/802/A |
| 4 | RFN 12/114 |
| 5 | RFN 12/111 |
| 6 | RFN E/047/1 |
| 7 | RFN 12/115 |
| 8 | RFN 12/019/S |
| 9 | RFN 12/112 |
| 10 | RFN 12/113 |
| 11 | RFN 14/805 |
| 12 | RFN 14/806 |
| 13 | RFN 12/101 |
| 14 | RFN 12/134 |
| 15 | RFN 12/133 |
| 16 | RFN 14/808 |
| 17 | RFN 12/124/A |
| 18 | RFN 12/243 |
| 19 | RFN 12/238 |
| 20 | RFN 14/803 |
| 21 | RFN 12/110 |
| 22 | RFN 14/809 |
| 23 | RFN 12/109 |
| 24 | RFN 14/807 |
| 25 | RFN 14/804 |
| 26 | RFN VC/2202 |
| 27 | RFN 12/125 |
| 28 | RFN 12/126 |
| 29 | RFN 14/801 |
| 30 | RFN 14/828 |
| 31 | RFN VC/2201 |
| 32 | RFN 14/801/A |
| 33 | RFN 12/019/D |

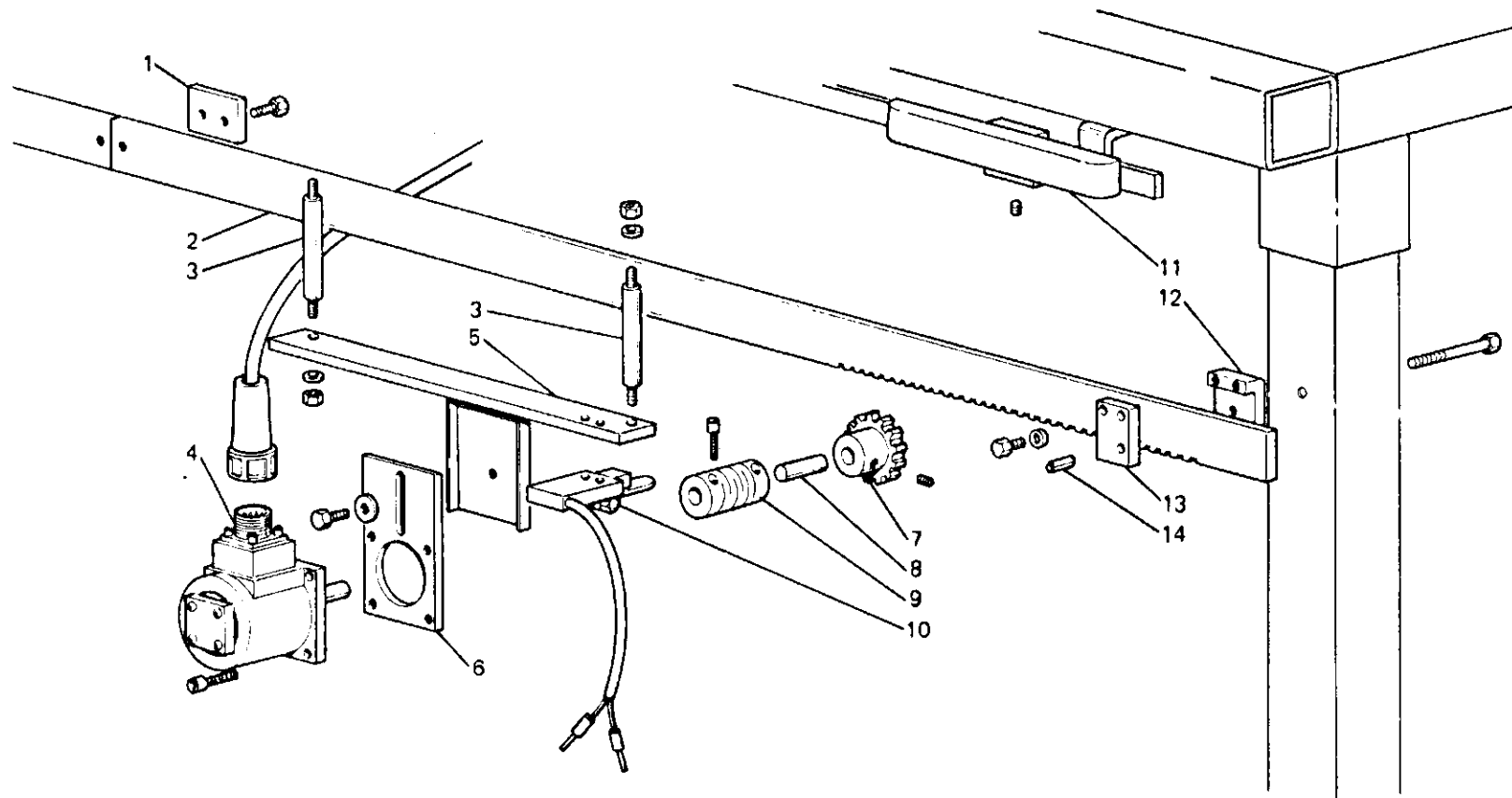


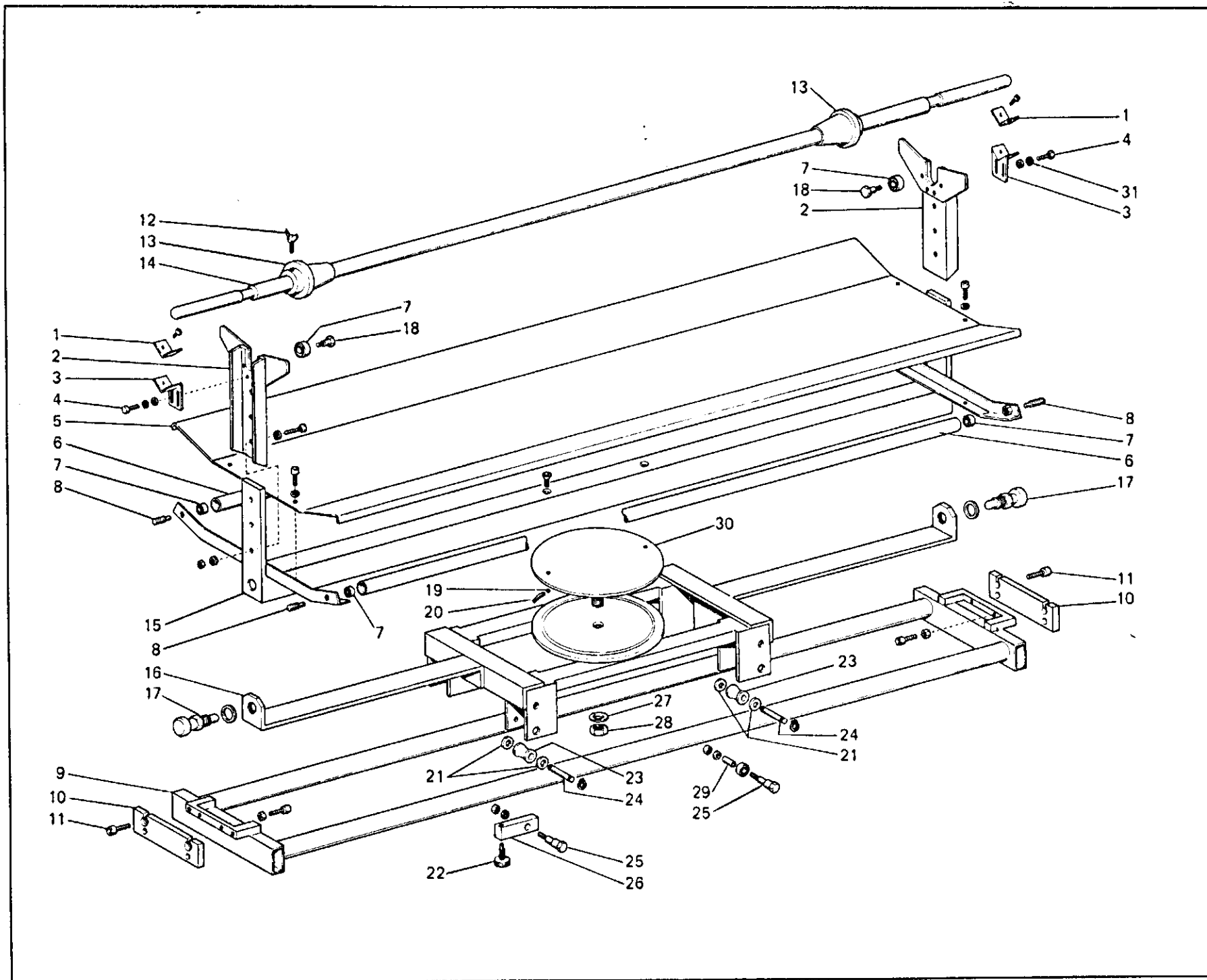


| Fig. N. | Part. N. Pice N. |
|---------|---------------------|
| 1 | RFN 99/001 |
| 2 | RFN 10/158 |
| 3 | RFN 20/015 |
| 4 | RFN 99/614 |
| 5 | RFN 99/603 |
| 6 | RFN 99/013 |
| 7 | RFN 25/016/1 |
| 8 | RFN 99/245 |
| 9 | RFN 98/113 |
| 10 | RFN 14/117 |
| 11 | RFN 20/025 |
| 12 | RFN 99/261 |
| 13 | RFN 99/442/C |
| 14 | RFN 20/017 |
| 15 | RFN 20/014 |
| 16 | RFN 10/117 |
| 17 | RFN CS/608/Z |
| 18 | RFN 98/234 |
| 19 | RFN 20/016 |
| 20 | RFN 99/026 |
| 21 | RFN KOYO |
| 22 | RFN 20/012 |
| 23 | RFN 99/218 |
| 24 | RFN 20/021 |
| 25 | RFN 99/421/C |
| 26 | RFN 20/018 |
| 27 | RFN M/20/005 |
| 28 | RFN 20/019 |
| 29 | RFN 20/002/1 |
| 30 | RFN 99/605 |
| 31 | RFN 99/530 |
| 32 | RFN 20/002 |
| 33 | RFN 20/011 |
| 34 | RFN 20/013 |

Rim® TAV.27

| Fig. N. | Part. N. Pice N. |
|---------|---------------------|
| 1 | RFN 24/655 |
| 2 | RFN 24/645 |
| 3 | RFN 12/194 |
| 4 | RFN 24/648 |
| 5 | RFN 24/641 |
| 6 | RFN 24/640 |
| 7 | RFN 24/646 |
| 8 | RFN 24/652 |
| 9 | RFN 24/647 |
| 10 | RFN 24/651 |
| 11 | RFN 24/650 |
| 12 | RFN 24/642/M |
| 13 | RFN 24/643/M |
| 14 | RFN 98/010 |

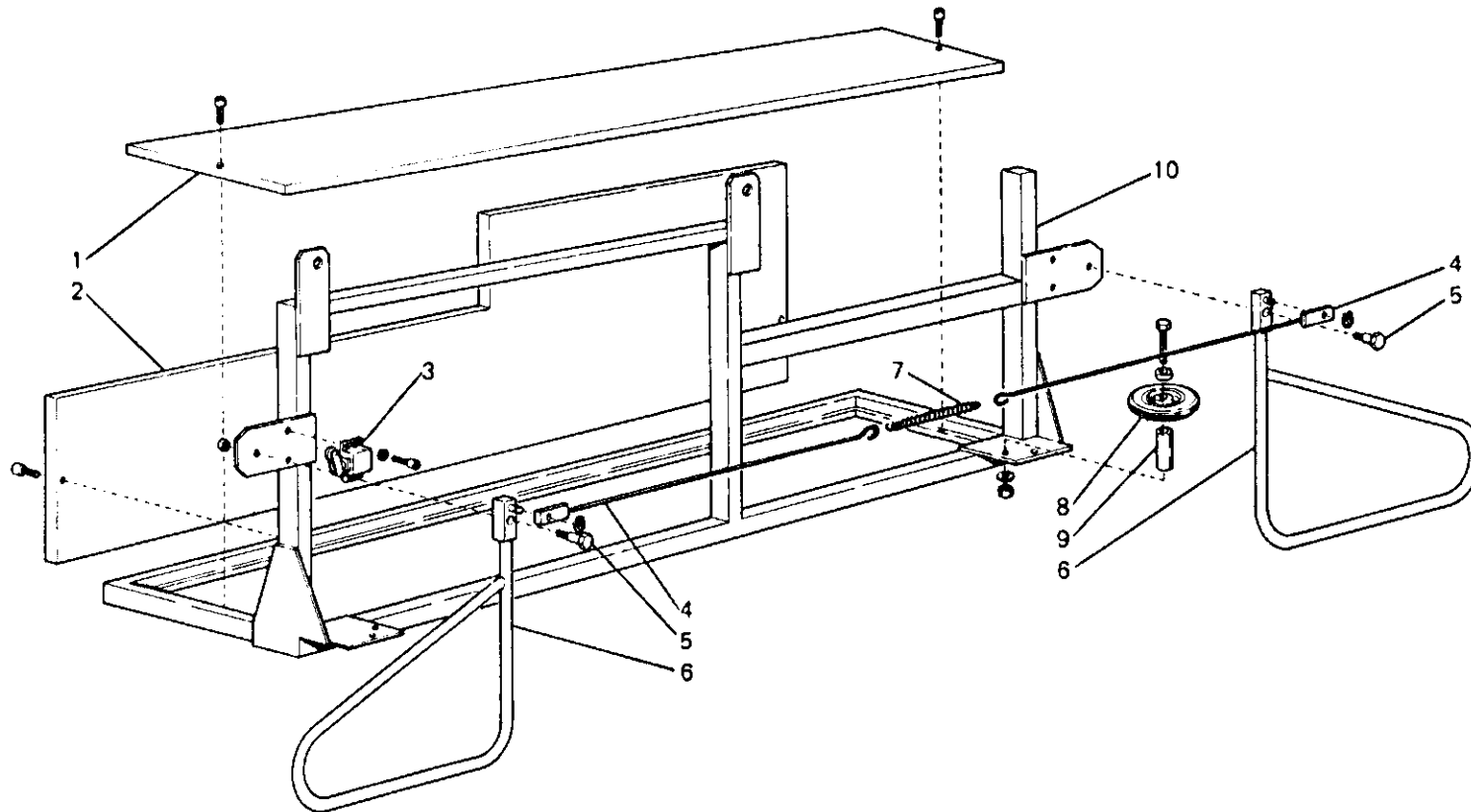




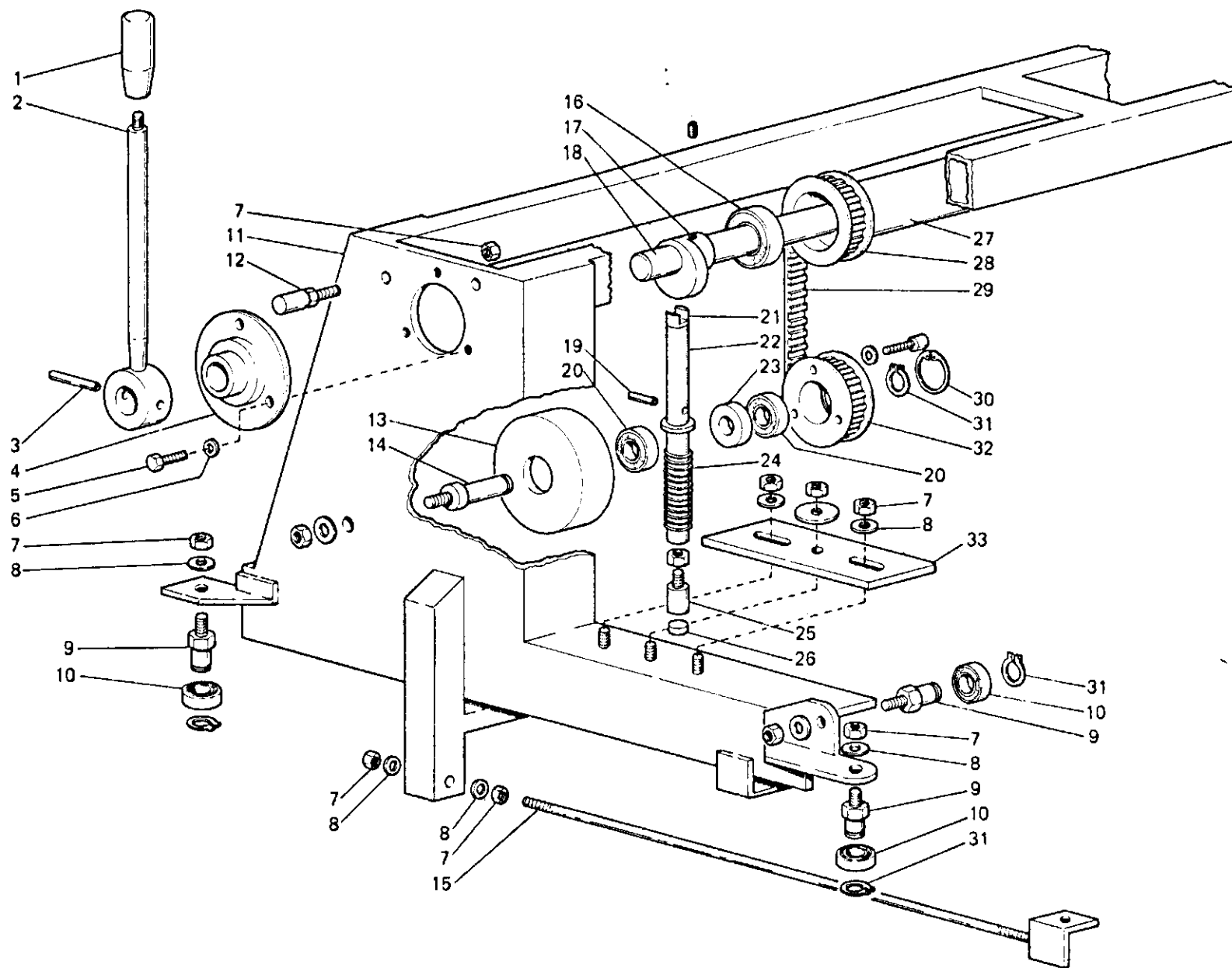
| Fig. N. | Part. N. Piece N. |
|---------|-------------------|
| 1 | RFN 10/158 |
| 2 | RFN 14/161 |
| 3 | RFN 10/156/1 |
| 4 | RFN Z/99/026 |
| 5 | RFN 14/160 |
| 6 | RFN 14/162 |
| 7 | RFN VC/0608 |
| 8 | RFN 14/065 |
| 9 | RFN 14/152 |
| 10 | RFN 14/151 |
| 11 | RFN Z/99/245 |
| 12 | RFN Z/98/113 |
| 13 | RFN 10/160 |
| 14 | RFN 14/165 |
| 15 | RFN 14/150 |
| 16 | RFN 14/153 |
| 17 | RFN 14/615 |
| 18 | RFN 10/117 |
| 19 | RFN 10/151 |
| 20 | RFN 10/150 |
| 21 | RFN 14/157 |
| 22 | RFN 07/021 |
| 23 | RFN 14/154 |
| 24 | RFN 14/155 |
| 25 | RFN 14/156 |
| 26 | RFN 14/163 |
| 27 | RFN Z/99/611 |
| 28 | RFN Z/99/536 |
| 29 | RFN 14/158 |
| 30 | RFN 10/149/1 |
| 31 | RFN Z/99/604 |

Rim® TAV.29

| Fig. N. | Part. N. Pice N. |
|---------|---------------------|
| 1 | RFN 14/455 |
| 2 | RFN 14/456 |
| 3 | RFN M/12/401 |
| 4 | RFN 14/457 |
| 5 | RFN 10/867 |
| 6 | RFN 10/865 |
| 7 | RFN 10/869 |
| 8 | RFN 14/459 |
| 9 | RFN 14/454/1 |
| 10 | RFN 14/451 |



Rim® TAV.30

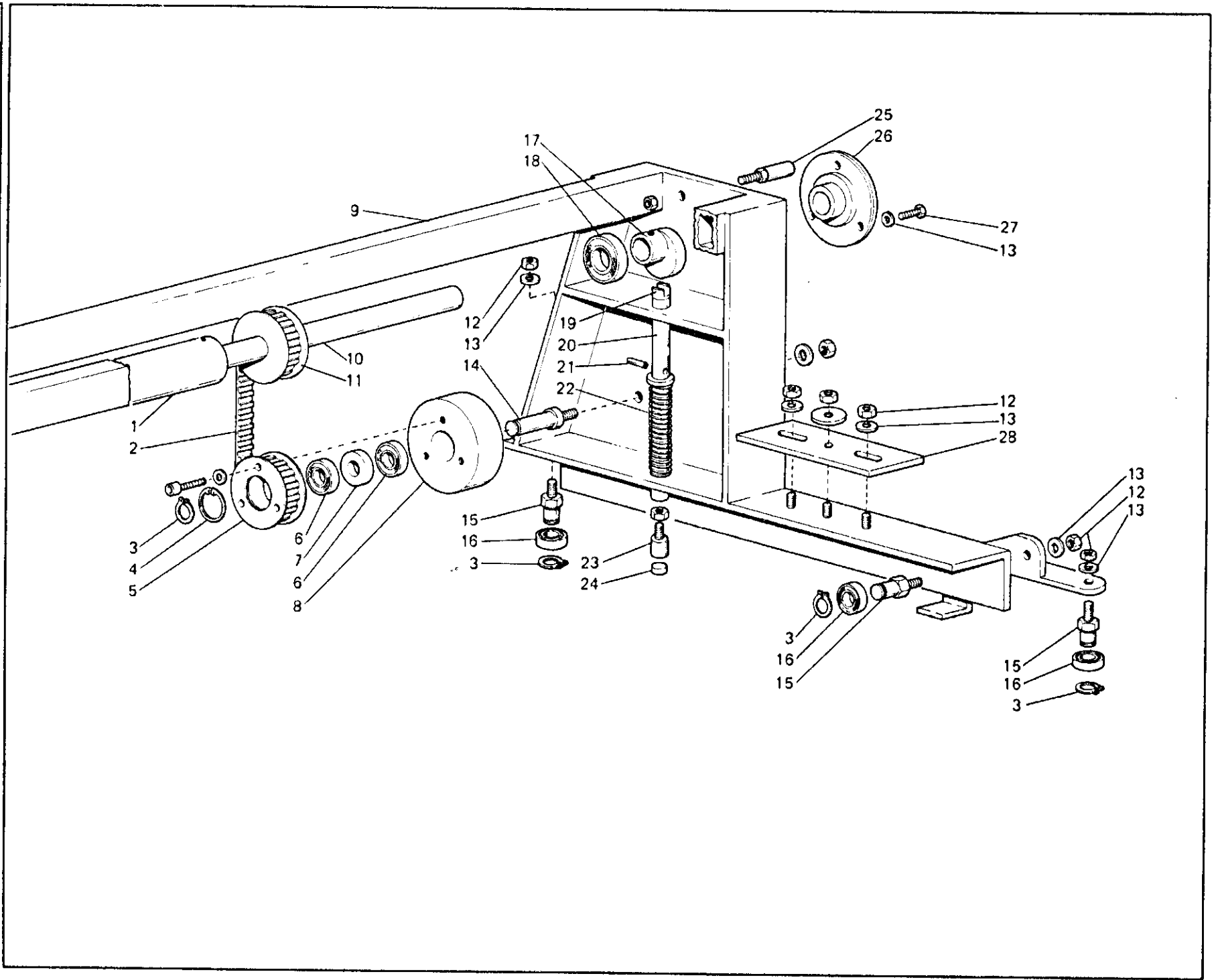


| Fig. N. | Part. N. Pèce N. |
|---------|---------------------|
| 1 | RFN I/280/65 |
| 2 | RFN 14/684 |
| 3 | RFN Z/98/014/1 |
| 4 | RFN VC/KOYO/25 |
| 5 | RFN Z/99/022 |
| 6 | RFN Z/99/65 |
| 7 | RFN Z/99/530 |
| 8 | RFN Z/99/605 |
| 9 | RFN 14/680 |
| 10 | RFN VC/6201 |
| 11 | RFN 14/687 |
| 12 | RFN 14/694 |
| 13 | RFN 14/673 |
| 14 | RFN 14/671 |
| 15 | RFN 14/696 |
| 16 | RFN VC/2205/2RS |
| 17 | RFN 14/682 |
| 18 | RFN 14/683 |
| 19 | RFN Z/98/009 |
| 20 | RFN VC/6202 |
| 21 | RFN 14/693 |
| 22 | RFN 14/681 |
| 23 | RFN 14/675 |
| 24 | RFN 14/689 |
| 25 | RFN 14/685 |
| 26 | RFN 14/690 |
| 27 | RFN 14/679 |
| 28 | RFN 14/678 |
| 29 | RFN 270/L050 |
| 30 | RFN Z/98/416 |
| 31 | RFN Z/98/310 |
| 32 | RFN 14/672 |
| 33 | RFN 14/691 |

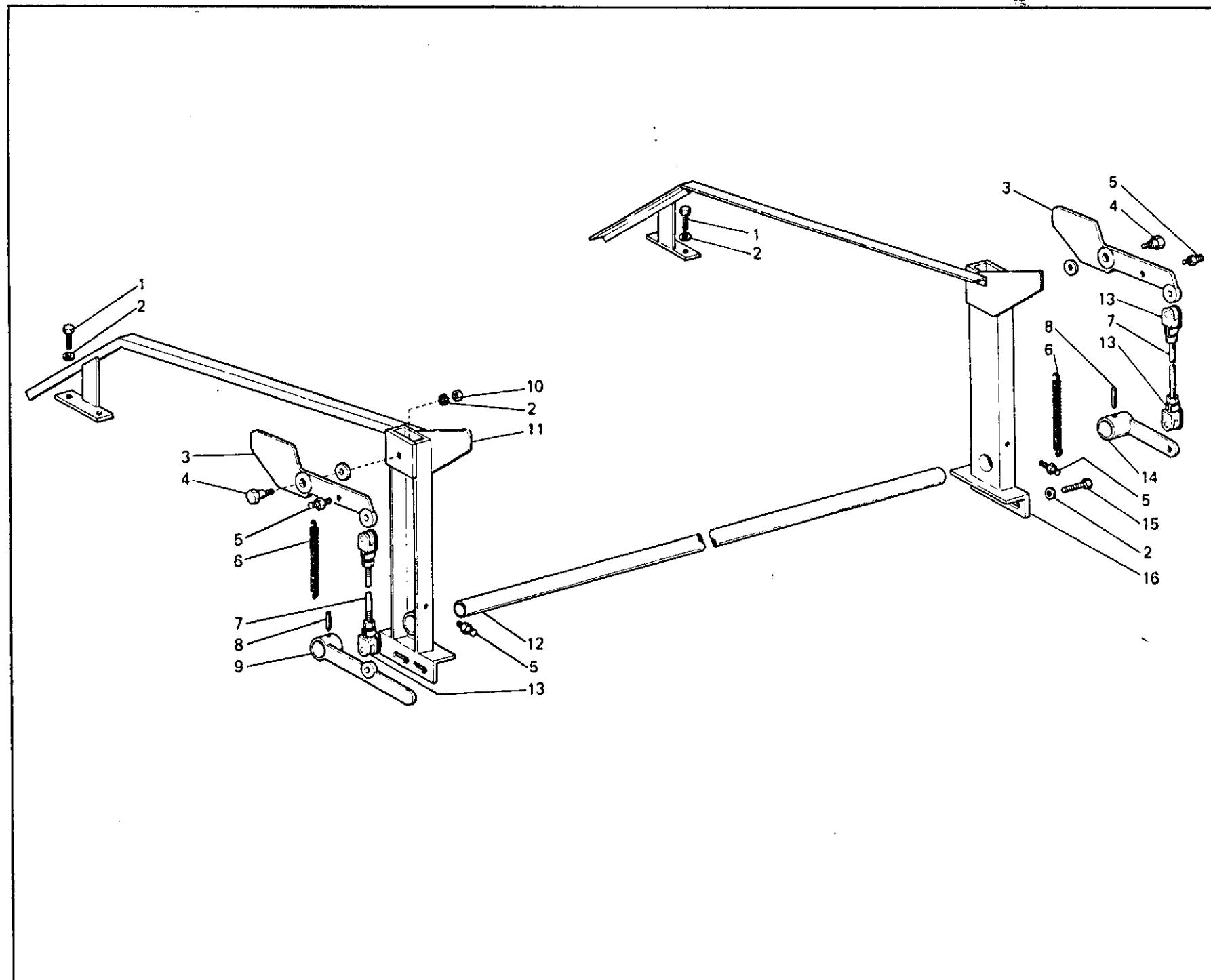
Rim® TAV.31

| Fig. N. | Part. N. / Piece N. |
|---------|---------------------|
|---------|---------------------|

- | | |
|----|-----------------|
| 1 | RFN 14/312 |
| 2 | RFN 270/L050 |
| 3 | RFN Z/98/310 |
| 4 | RFN Z/98/416 |
| 5 | RFN 14/672 |
| 6 | RFN VC/6202 |
| 7 | RFN 14/675 |
| 8 | RFN 14/673 |
| 9 | RFN 14/687 |
| 10 | RFN 14/683 |
| 11 | RFN 14/678 |
| 12 | RFN Z/99/530 |
| 13 | RFN Z/99/605 |
| 14 | RFN 14/671 |
| 15 | RFN 14/680 |
| 16 | RFN VC/6201 |
| 17 | RFN 14/682 |
| 18 | RFN VC/2205/2RS |
| 19 | RFN 14/693 |
| 20 | RFN 14/681 |
| 21 | RFN Z/99/009 |
| 22 | RFN 14/689 |
| 23 | RFN 14/685 |
| 24 | RFN 14/690 |
| 25 | RFN 14/694 |
| 26 | RFN VC/KOYO/25 |
| 27 | RFN Z/99/022 |
| 28 | RFN 14/691 |



Rim® TAV.32



| Fig. N. | Part. N. Pice N. |
|---------|---------------------|
| 1 | RFN Z/99/036 |
| 2 | RFN Z/99/605 |
| 3 | RFN 14/413/1 |
| 4 | RFN 14/414 |
| 5 | RFN 08/115 |
| 6 | RFN 14/411 |
| 7 | RFN 14/407 |
| 8 | RFN Z/98/022 |
| 9 | RFN 14/404 |
| 10 | RFN Z/99/530 |
| 11 | RFN 14/955 |
| 12 | RFN 14/405 |
| 13 | RFN 12/072 |
| 14 | RFN 14/406 |
| 15 | RFN Z/99/130 |
| 16 | RFN 14/955/S |

Rim® TAV.33

| Fig. N. | Part. N. Piece N. |
|---------|----------------------|
| 1 | RFN 12/072 |
| 2 | RFN Z/99/130 |
| 3 | RFN Z/99/605 |
| 4 | RFN 14/414 |
| 5 | RFN 14/416 |
| 6 | RFN 10/158 |
| 7 | RFN 10/156/1 |
| 8 | RFN 14/415 |
| 9 | RFN 14/413 |
| 10 | RFN 14/115 |
| 11 | RFN VC/0608 |
| 12 | RFN 08/115 |
| 13 | RFN 14/411 |
| 14 | RFN Z/99/022 |
| 15 | RFN 14/404 |
| 16 | RFN 99/530 |
| 17 | RFN 14/401/A |
| 18 | RFN 14/407 |
| 19 | RFN 14/405 |
| 20 | RFN 14/401 |
| 21 | RFN Z/99/026 |
| 22 | RFN 14/406 |

