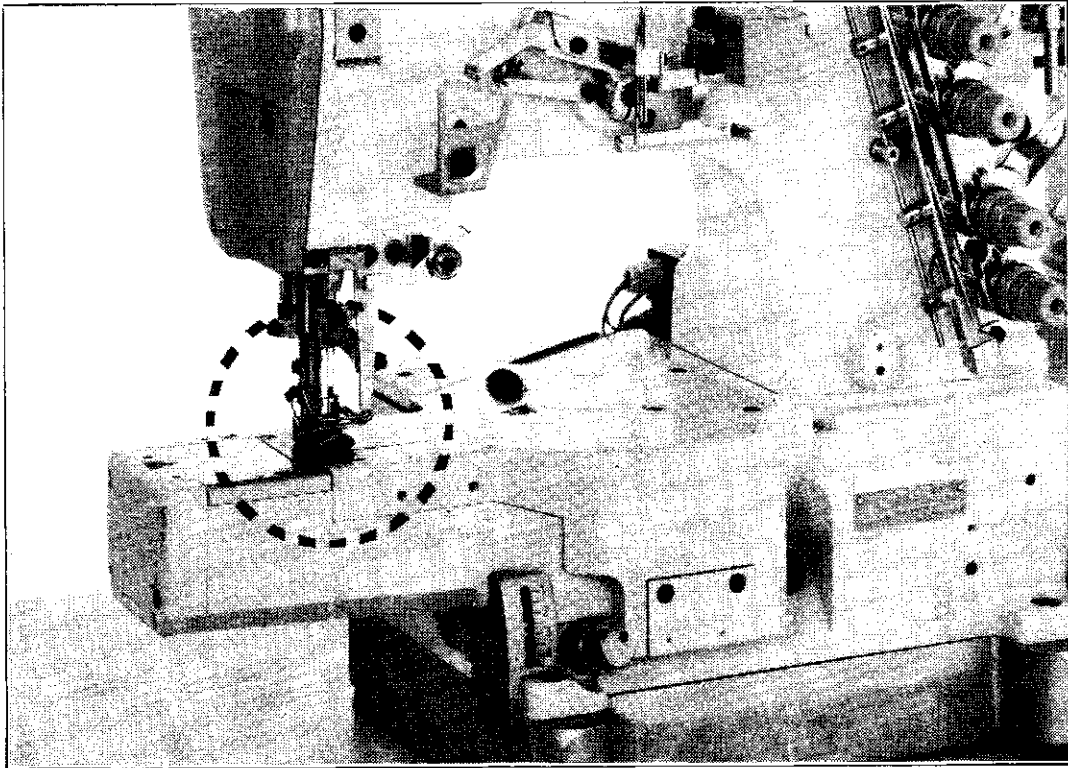

PRESSER FOOT

MACHINE MODELS: 4500 • 4600 SERIES



PFAFF® MAUSER
SPEZIAL

Bestandteilleiste

List of spare parts

Liste de pièces détachées

Lista de piezas de repuesto

Achtung!

Ersatzteile bitte nur mit den im Index aufgeführten **PFAFF-NUMMERN** Bestellen (siehe Seiten 14).

Important!

Veuillez commander les pièces de rechange uniquement avec leur référence complète précisée à l'index (pages 14).

Important note:

For spare part orders please only use the **PFAFF-NUMBERS** listed in the index (pages 14).

Atencion!

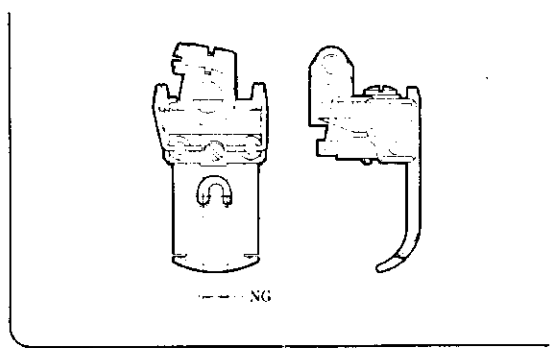
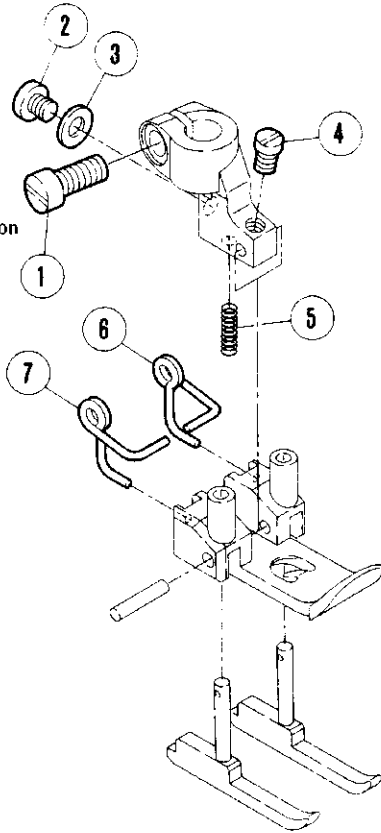
Sírvanse hacer sus pedidos sólo con los **NUMEROS-PFAFF** indicados en el índice (véanse las páginas 14).

TABLE OF CONTENTS**PAGE**

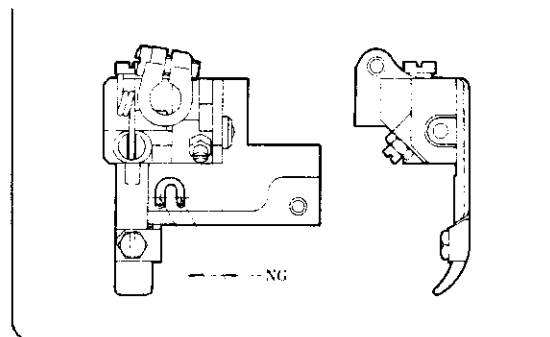
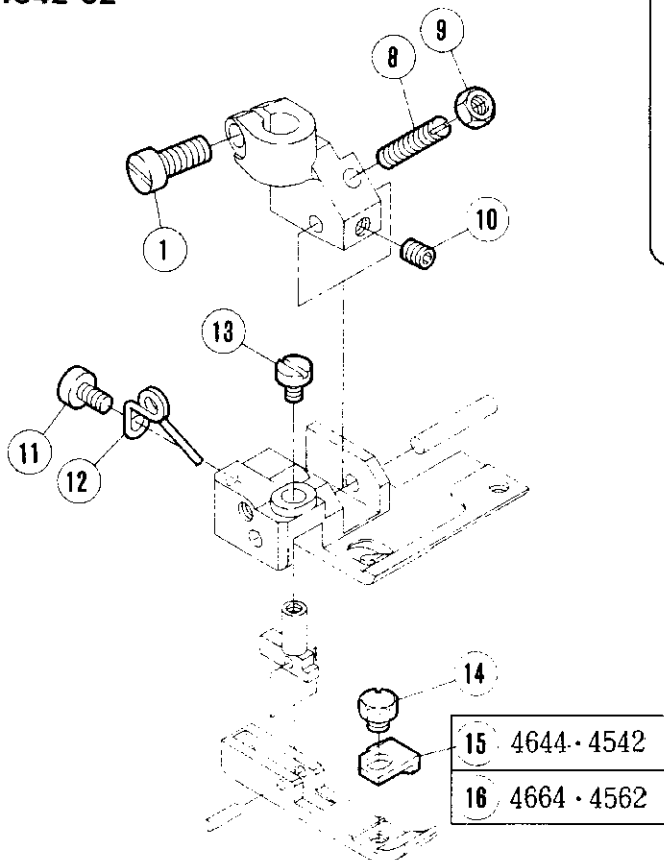
4664•4644-01(4562•4542-01).....	2- 3
4664•4644-08A(4562•4542-08A•4562-21)	2- 3
4664•4644-02(4562•4542-02).....	2- 3
4664•4644-03F	4- 5
4664•4644-03G	4- 5
4664•4644-05(4562•4542-05).....	6- 7
4664•4644-08B	6- 7
4664•4644-32	8- 9
4664•4644-33	8- 9
4664•4644-34, 35	10-11
4664•4644-71, 81	10-11
Part number index	14

4664-4644-01, 08A
 4562-4542-01, 08A
 4562-21

The screw is common
 to all machine.



4664-4644-02
 4562-4542-02

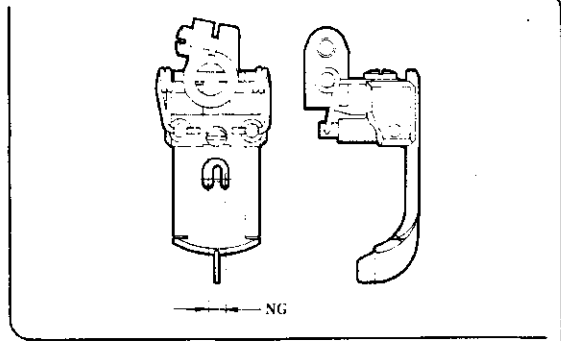
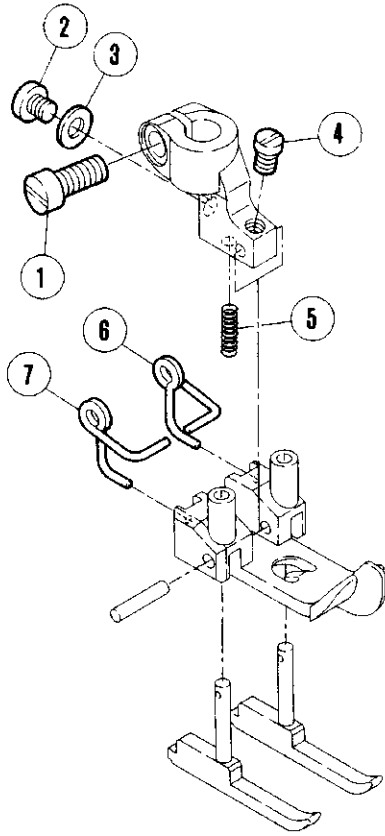


NG=Needle Gauge

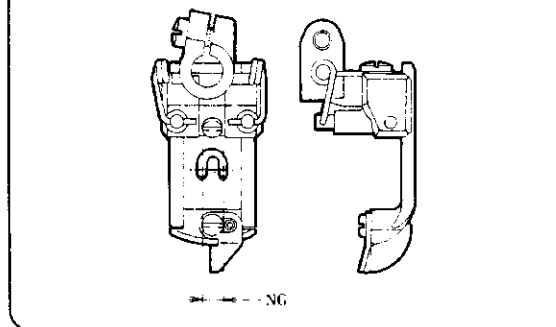
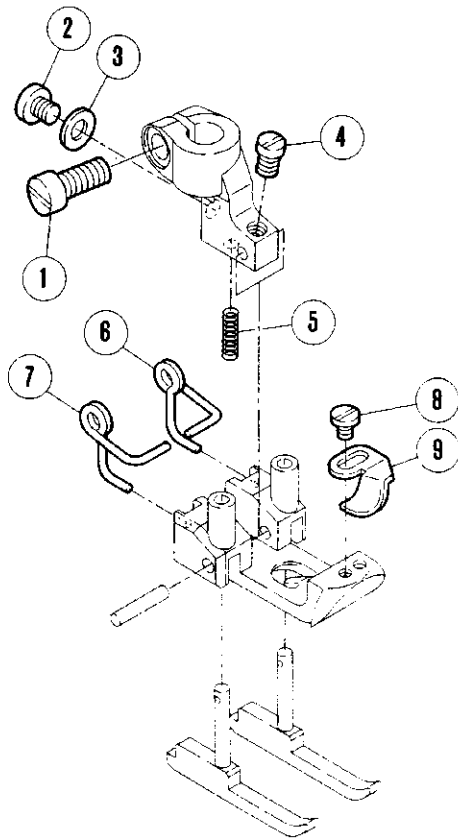
PRESSER FOOT

REF. NO.	PART NO.	PFAFF-NO.	NAME	QT.
1	1170-3	09-009054-62	SCREW	1
2	5519	09-009732-60	SCREW	1
3	202875	09-009601-76	WASHER	1
4	1222	09-009048-21	SCREW	1
5	207544	09-009819-25	SPRING	1
6	257651		SPRING	1
7	257651A	09-009825-91	SPRING	1
8	5466	09-009823-36	SCREW	1
9	5409	09-009070-04	NUT	1
10	1892	09-009048-68	SCREW	1
11	5141	09-009600-24	SCREW	1
12	201907	09-009816-88	SPRING	1
13	5544	09-009819-21	SCREW	1
14	5465	09-009819-17	SCREW	1
15	207164	09-009825-88	GUIDE	1
16	207165	09-009819-19	GUIDE	1

4664•4644-03F



4664•4644-03G

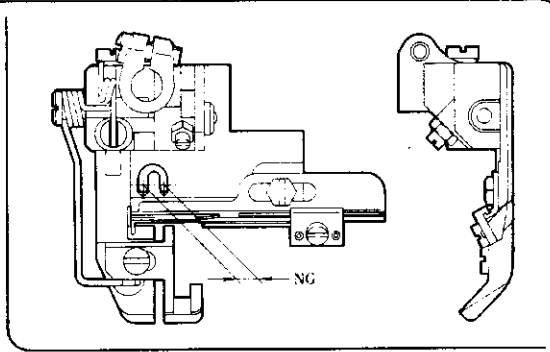
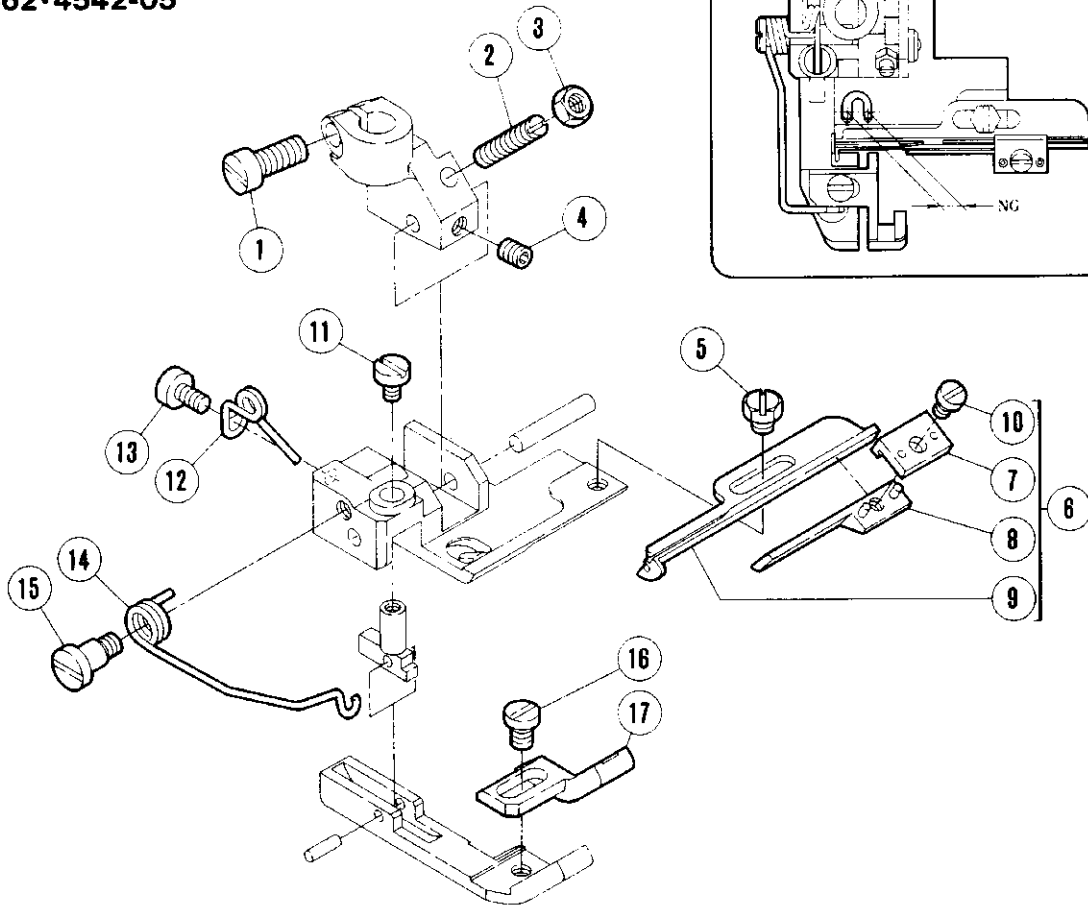


NG=Neeble Gauge

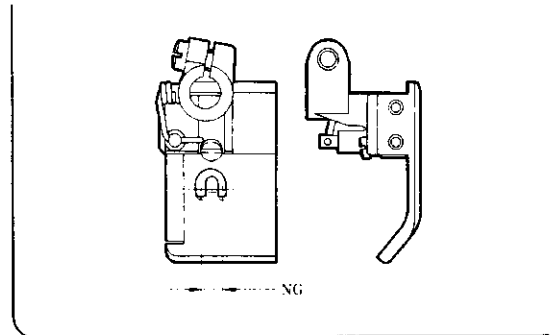
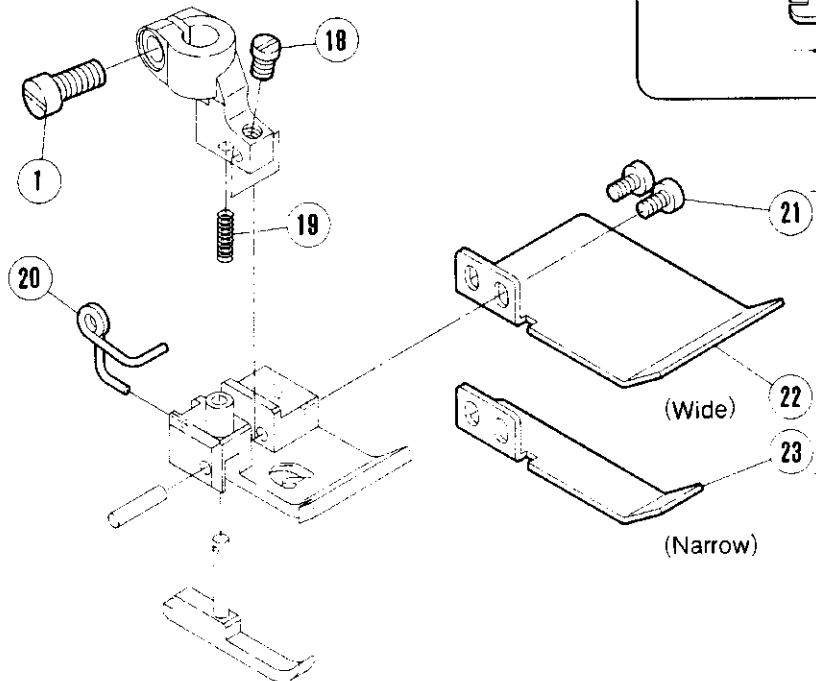
PRESSER FOOT

REF. NO.	PART NO.	PFAFF-NO.	NAME	QT.
1	1170-3	09-009054-62	SCREW	1
2	5519	09-009732-60	SCREW	1
3	202875	09-009601-76	WASHER	1
4	1222	09-009048-21	SCREW	1
5	207544	09-009819-25	SPRING	1
6	257651		SPRING	1
7	257651A	09-009825-91	SPRING	1
8	7120	09-009819-98	SCREW	1
9	257718	09-009825-95	GUIDE	1

4664-4644-05
4562-4542-05



4664-4644-08B



The wide fabric guide and the narrow fabric guide doesn't include in component parts for presser foot Assembly.

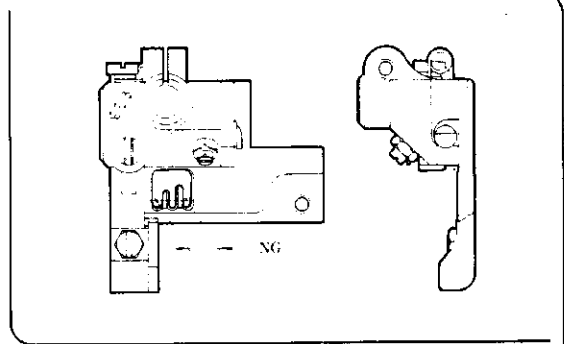
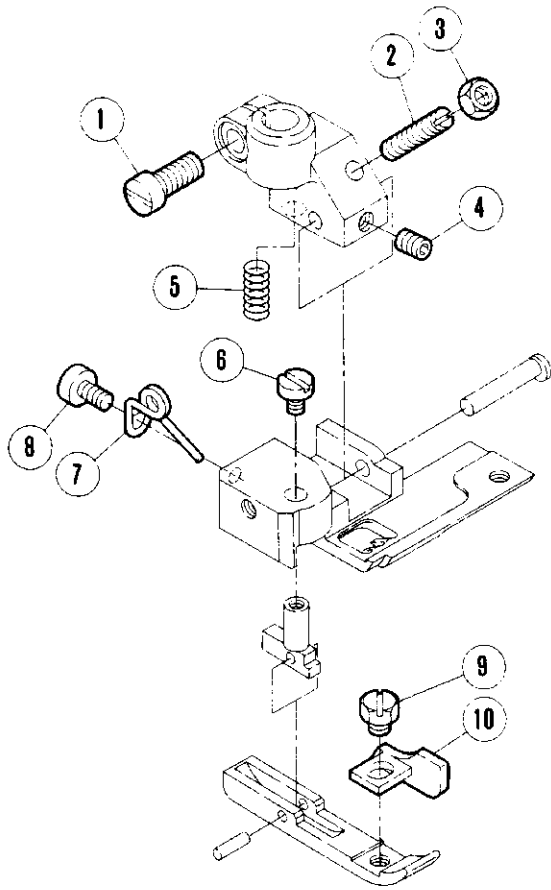
(Wide)
(Narrow)

NG= Needle Gauge

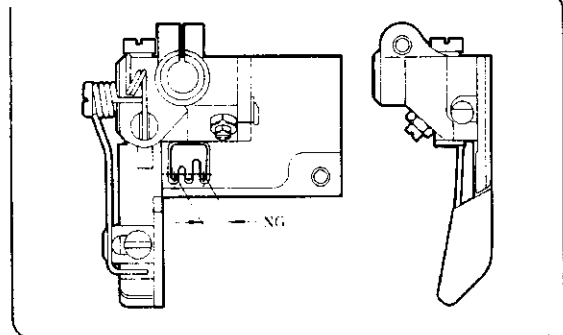
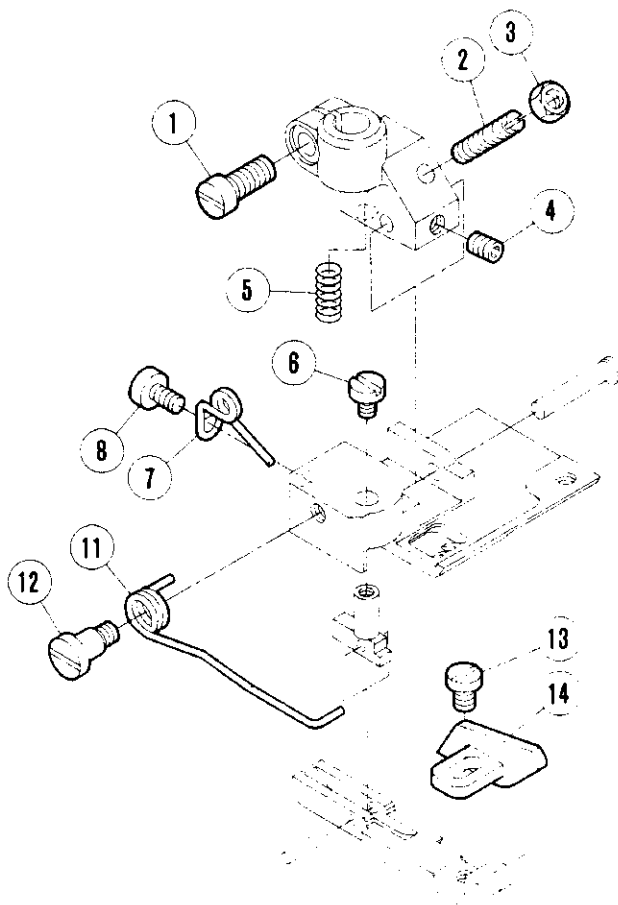
PRESSER FOOT

REF. NO.	PART NO.	PFAFF-NO.	NAME	QT.
1	1170-3	09-009054-62	SCREW	1
2	5466	09-009823-36	SCREW	1
3	5409	09-009070-04	NUT	1
4	1892	09-009048-68	SCREW	1
5	5465	09-009819-17	SCREW	1
6	257668-91	09-009816-97	LACE GUIDE	1
7	257672	09-009825-94	CLAMP	1
8	257670-91	09-009825-93	LACE GUIDE ASSEMBLY	1
9	257669	09-009825-92	LACE GUIDE ASSEMBLY	1
10	1231	09-009048-09	SCREW	1
11	5544	09-009819-21	SCREW	1
12	201907	09-009816-88	SPRING	1
13	5141	09-009600-24	SCREW	1
14	207262	09-009816-86	SPRING	1
15	5291	09-009065-72	SCREW	1
16	5346	09-009068-79	SCREW	1
17	207042	09-009825-87	FABRIC GUARD	1
18	1222	09-009048-21	SCREW	1
19	207544	09-009819-25	SPRING	1
20	257651A	09-009825-91	SPRING	1
21	7031	11-108849-15	SCREW	1
22	257761	09-009825-98	FABRIC GUIDE	1
23	257761A	09-009825-99	FABRIC GUIDE	1

4664-4644-32



4664-4644-33

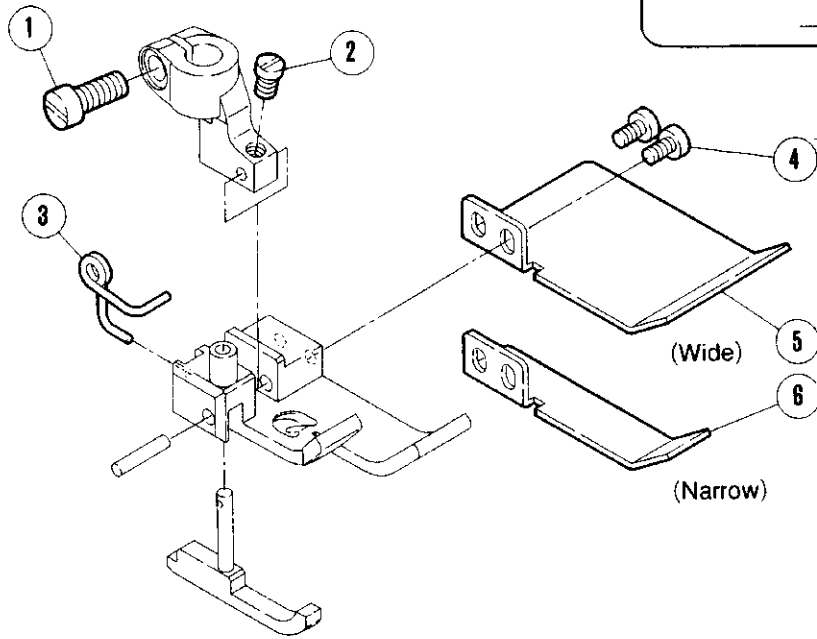
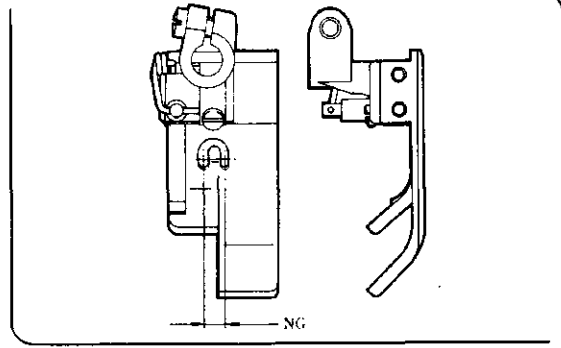


NG=Needle Gauge

PRESSER FOOT

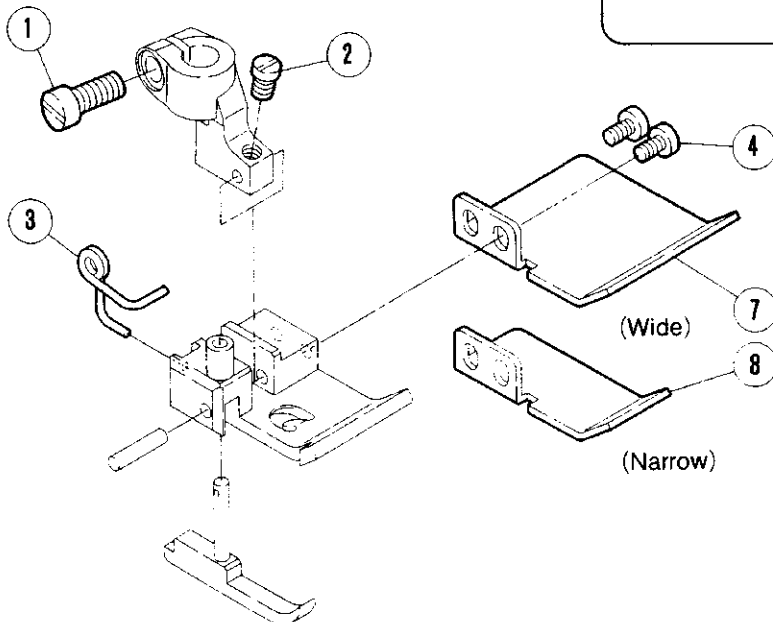
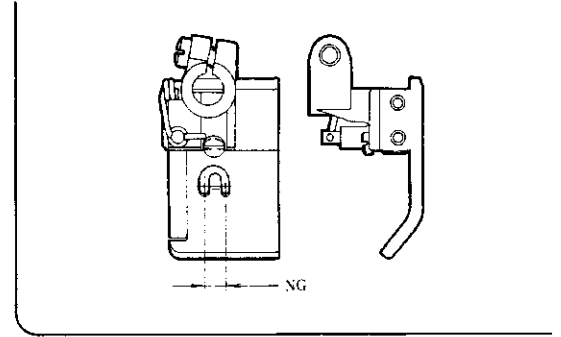
REF. NO.	PART NO.	PFAFF-NO.	NAME	QT.
1	1170-3	09-009054-62	SCREW	1
2	5466	09-009823-36	SCREW	1
3	5409	09-009070-04	NUT	1
4	5408	09-009070-03	SCREW	1
5	207169	09-009825-89	SPRING	1
6	5544	09-009819-21	SCREW	1
7	201907	09-009816-88	SPRING	1
8	5141	09-009600-24	SCREW	1
9	5465	09-009819-17	SCREW	1
10	306939	09-009826-00	FABRIC GUIDE	1
11	307016	09-009826-01	SPRING	1
12	5291	09-009065-72	SCREW	1
13	5346	09-009068-79	SCREW	1
14	307017	09-009826-02	GUIDE	1

4664-4644-34, 35



The wide fabric guide and the narrow fabric guide doesn't include in component parts for presser foot(Assembly).

4664-4644-71, 81



The wide fabric guide and the narrow fabric guide doesn't include in component parts for presser foot(Assembly).

NG=Needle Gauge

PRESSER FOOT

REF. NO.	PART NO.	PFAFF-NO.	NAME	QT.
1	1170-3	09-009054-62	SCREW	1
2	1222	09-009048-21	SCREW	1
3	257651A	09-009825-91	SPRING	1
4	7031	11-108849-15	SCREW	1
5	257743	09-009825-96	FABRIC GUIDE	1
6	257743A	09-009825-97	FABRIC GUIDE	1
7	257761	09-009825-98	FABRIC GUIDE	1
8	257761A	09-009825-99	FABRIC GUIDE	1

INDEX

PART NO.	PFAFF-NO	PAGE	NO. REF.	PART NO.	PFAFF-NO	PAGE	NO. REF.	PART NO.	PFAFF-NO	PAGE	NO. REF.
1170-3	09-009 054-62	3	1								
1170-3	09-009 054-62	5	1								
1170-3	09-009 054-62	7	1								
1170-3	09-009 054-62	9	1								
1170-3	09-009 054-62	11	1								
1222	09-009 048-21	3	4								
1222	09-009 048-21	5	4								
1222	09-009 048-21	7	18								
1222	09-009 048-21	11	2								
1231	09-009 048-09	7	10								
1892	09-009 048-68	3	10								
1892	09-009 048-68	7	4								
5141	09-009 600-24	3	11								
5141	09-009 600-24	7	13								
5141	09-009 600-24	9	8								
5291	09-009 065-72	7	15								
5291	09-009 065-72	9	12								
5346	09-009 068-79	7	16								
5346	09-009 068-79	9	13								
5408	09-009 070-03	9	4								
5409	09-009 070-04	3	9								
5409	09-009 070-04	7	3								
5409	09-009 070-04	9	3								
5465	09-009 819-17	3	14								
5465	09-009 819-17	7	5								
5465	09-009 819-17	9	9								
5466	09-009 823-36	3	8								
5466	09-009 823-36	7	2								
5466	09-009 823-36	9	2								
5519	09-009 732-60	3	2								
5519	09-009 732-60	5	2								
5544	09-009 819-21	3	13								
5544	09-009 819-21	7	11								
5544	09-009 819-21	9	6								
7031	11-108 849-15	7	21								
7031	11-108 849-15	11	4								
7120	09-009 819-98	5	8								
201907	09-009 816-88	3	12								
201907	09-009 816-88	7	12								
201907	09-009 816-88	9	7								
202875	09-009 601-76	3	3								
202875	09-009 601-76	5	3								
207042	09-009 825-87	7	17								
207164	09-009 825-88	3	15								
207165	09-009 819-19	3	16								
207169	09-009 825-89	9	5								
207262	09-009 816-86	7	14								
207544	09-009 819-25	3	5								
207544	09-009 819-25	5	5								
207544	09-009 819-25	7	19								
257651		3	6								
257651		5	6								
257651A	09-009 825-91	3	7								
257651A	09-009 825-91	5	7								
257651A	09-009 825-91	7	20								
257651A	09-009 825-91	11	3								
257668-91	09-009 816-97	7	6								
257669	09-009 825-92	7	9								
257670-91	09-009 825-93	7	8								
257672	09-009 825-94	7	7								
257718	09-009 825-95	5	9								
257761	09-009 825-98	7	22								
257743	09-009 825-96	11	5								
257761A	09-009 825-99	7	23								
257743A	09-009 825-97	11	6								
257761	09-009 825-98	11	7								
257761A	09-009 825-99	11	8								
306939	09-009 826-00	9	10								
307016	09-009 826-01	9	11								
307017	09-009 826-02	9	14								

Pfaff, D 6750 Kaiserslautern, Postfach 3020/3040, Telefon (0631) 200-0, Telex: 45753, Telefax (0631) 17202

Gedruckt in der Bundesrepublik Deutschland
Printed in West Germany · Imprimé en R.F.A. · Impreso en la R.F.A.