

GF DEVICE

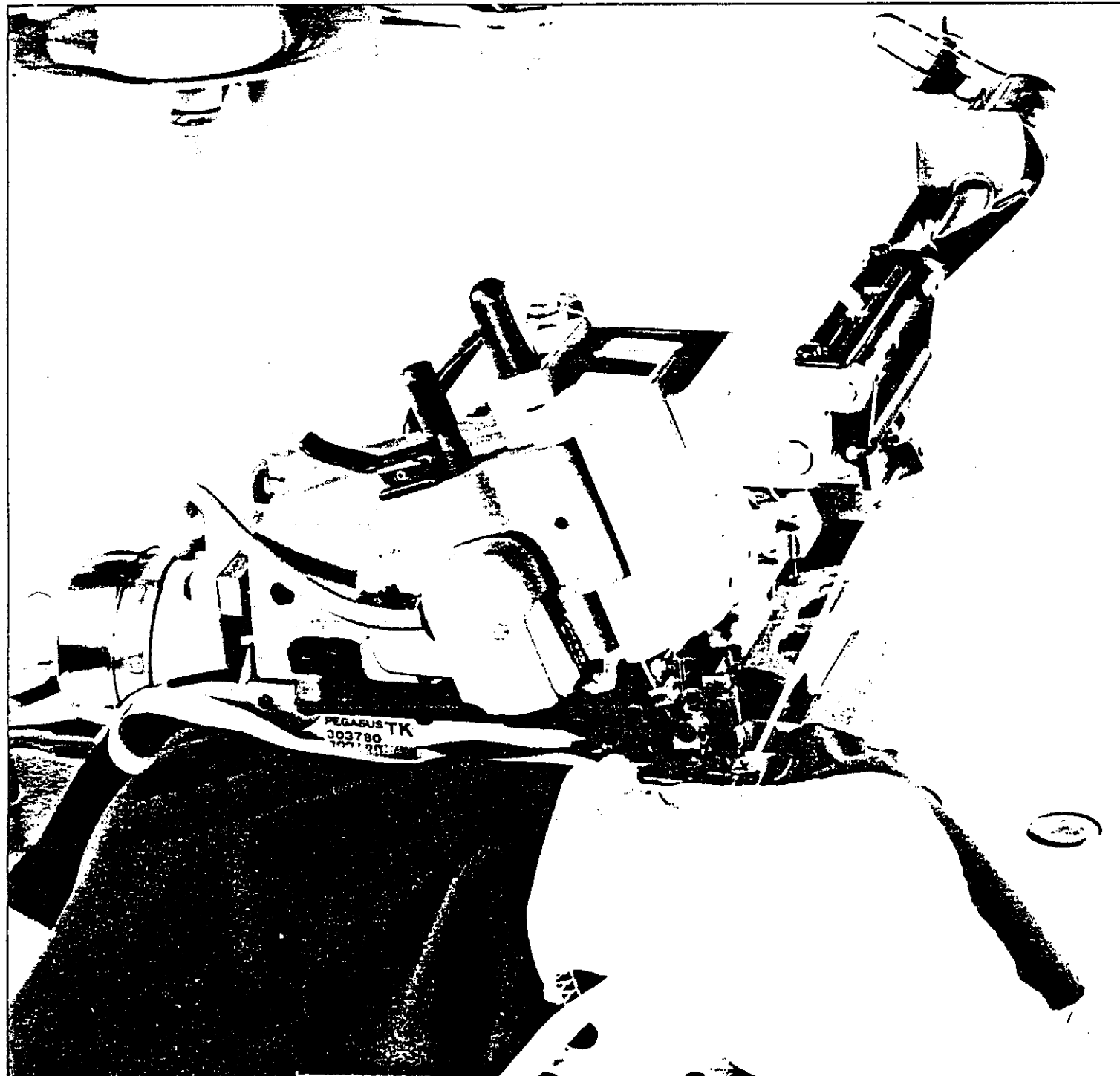
ショーツ・水着等の縁ゴム付けに

For elastic attaching operations on shorts, swimwear etc

MODEL L52-54GF・L52-55GF

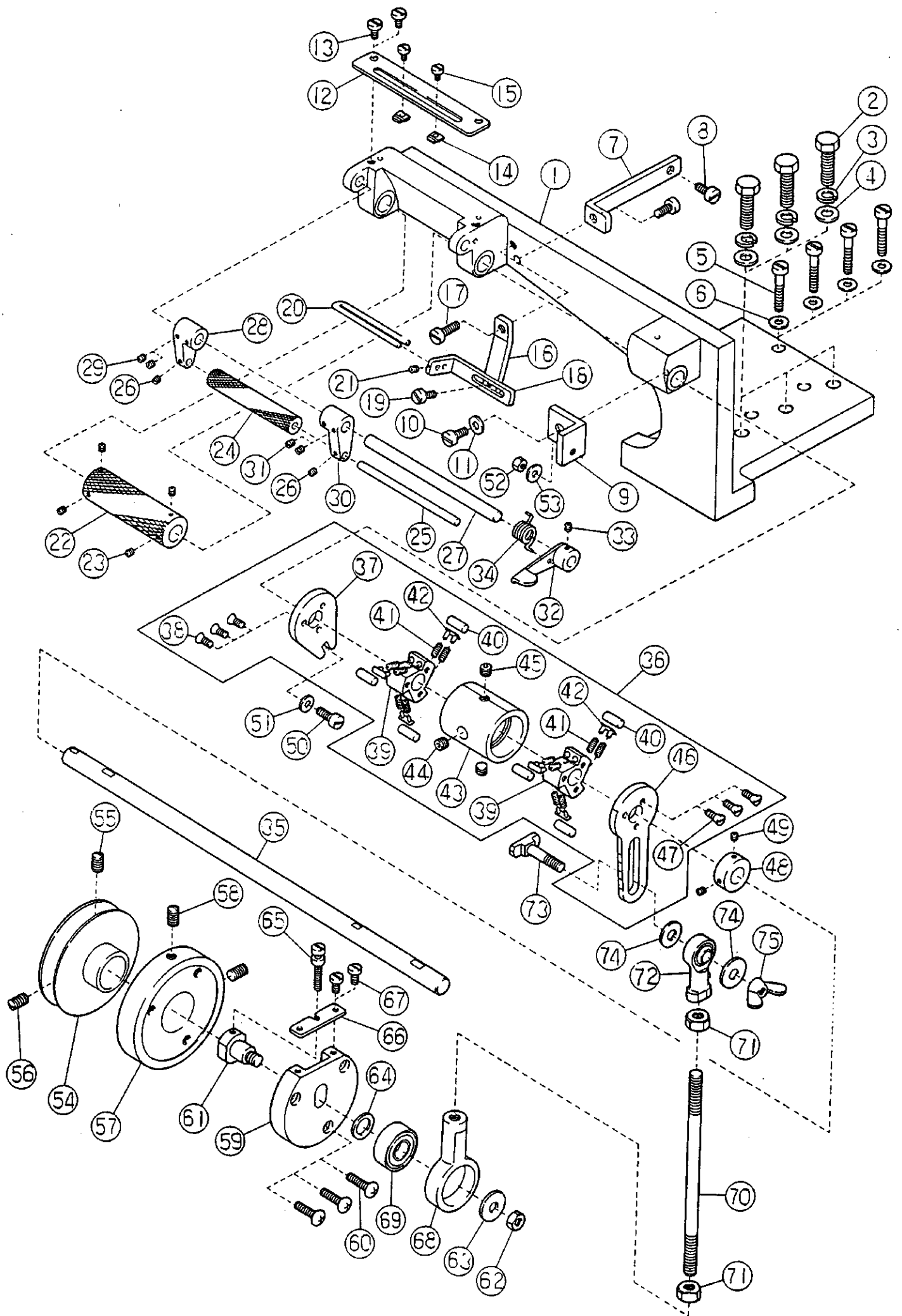
One and two needle overlock machines with top metering device

上ゴム送り装置付1・2本針オーバーロックマシン



PEGASUS®

Model L52-55GF/TK006
TK006=solenoid operated tape cutter
with fingertip switch control



Ref. No.	Part No.	Name	Qt.
参照番号	部品番号	名称	数量
1	GF1001	frame	1
2	GF1002	screw	3
3	GF1003	spring washer	3
4	GF1004	washer	3
5	5094	screw	4
6	GF1005	washer	4
7	GF1006	guide/frame	1
8	5117	screw	2
9	GF1007	bracket/stop screw	1
10	5118	screw	1
11	GF1008	washer	1
12	GF1009	elastic guide plate	1
13	1202	screw	2
14	GF1010	elastic guide	2
15	1231	screw	2
16	GF1011	bracket A	1
17	1175-3	screw	1
18	GF1012	bracket B	1
19	1202	screw	1
20	GF1013	elastic guide bar	1
21	5292	screw	1
22	GF1014	roller (large)	1
23	5292	screw	4
24	GF1015	roller (small)	1
25	GF1016	shaft (small)	1
26	5292	screw	2
27	GF1017	shaft (large)	1
28	GF1018	bracket (left)	1
29	5292	screw	2
30	GF1019	bracket (right)	1
31	5292	screw	2
32	GF1020	lever	1
33	5292	screw	1
34	GF1021	spring	1
35	GF1022	shaft	1
36	306501	clutch assembly	1
37	306247	clutch plate	1
38	2297	screw	3
39	306240	clutch	2
40	306500	clutch roller	6
41	306499	spring	12
42	306243	spring guide	6
43	306246	sleeve	1
44	5312	screw	2
45	2913-1	screw	1
46	306236	crank/elasticfeed	1
47	2297	screw	3
48	GF1023	thrust collar	1
49	5292	screw	2
50	5283	screw	1
51	201185	thrust washer	1
52	3044	nut	1
53	GF1024	washer	1
54	GF1025	V-pully	1
55	5080	screw	1
56	5084	screw	1
57	GF1026	eccentric/bracket	1
58	5081	screw	2
59	306230	pin holder	1
60	4114	screw	3
61	306231	eccentric pin	1
62	5040	nut	1
63	204520	washer	1
64	205060	thrust washer	1
65	5462	screw	1
66	306232	plate	1
67	1998-2	screw	2
68	GF1027	rod	1
69	GF1028	bearing	1
70	GF1029	rod	1
71	GF1030	nut	2
72	GF1031	rod	1
73	306237	pin	1
74	204023	washer	2
75	306390	thumb nut	1

**PEGASUS
SEWING MACHINE MFG.
CO., LTD.[®]**

