

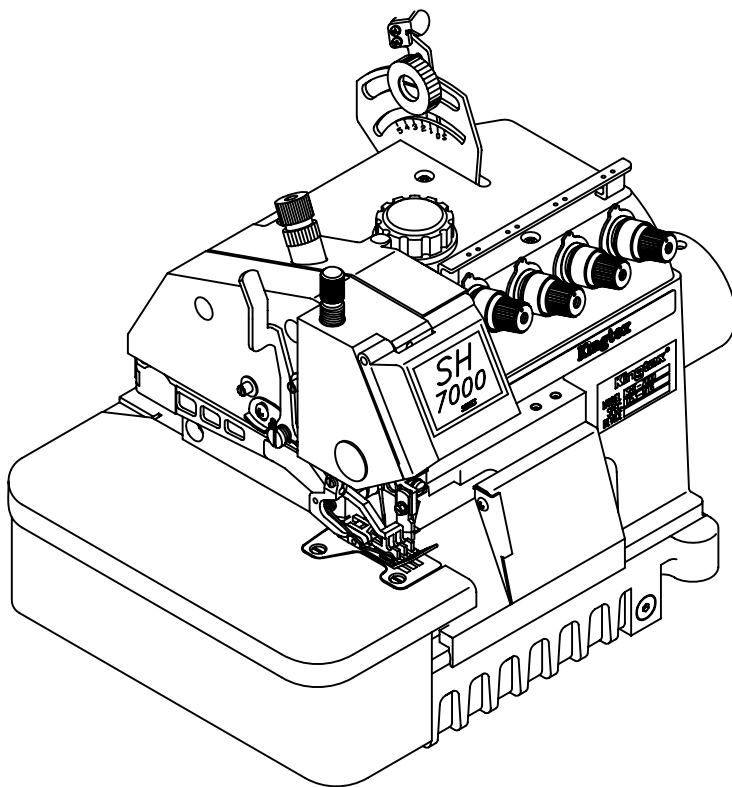
# SHT7000

Ver.2.0 2009.02

NO.SHT7302-T-02-12

**Kingtex**<sup>®</sup>

## SERIES



MODEL

SHT7004

SHT7005

SHJ7005

---

## PARTS LIST

---



精機機械廠股份有限公司

CHING CHI MACHINE CO., LTD.

<http://www.kingtensexing.com.tw>

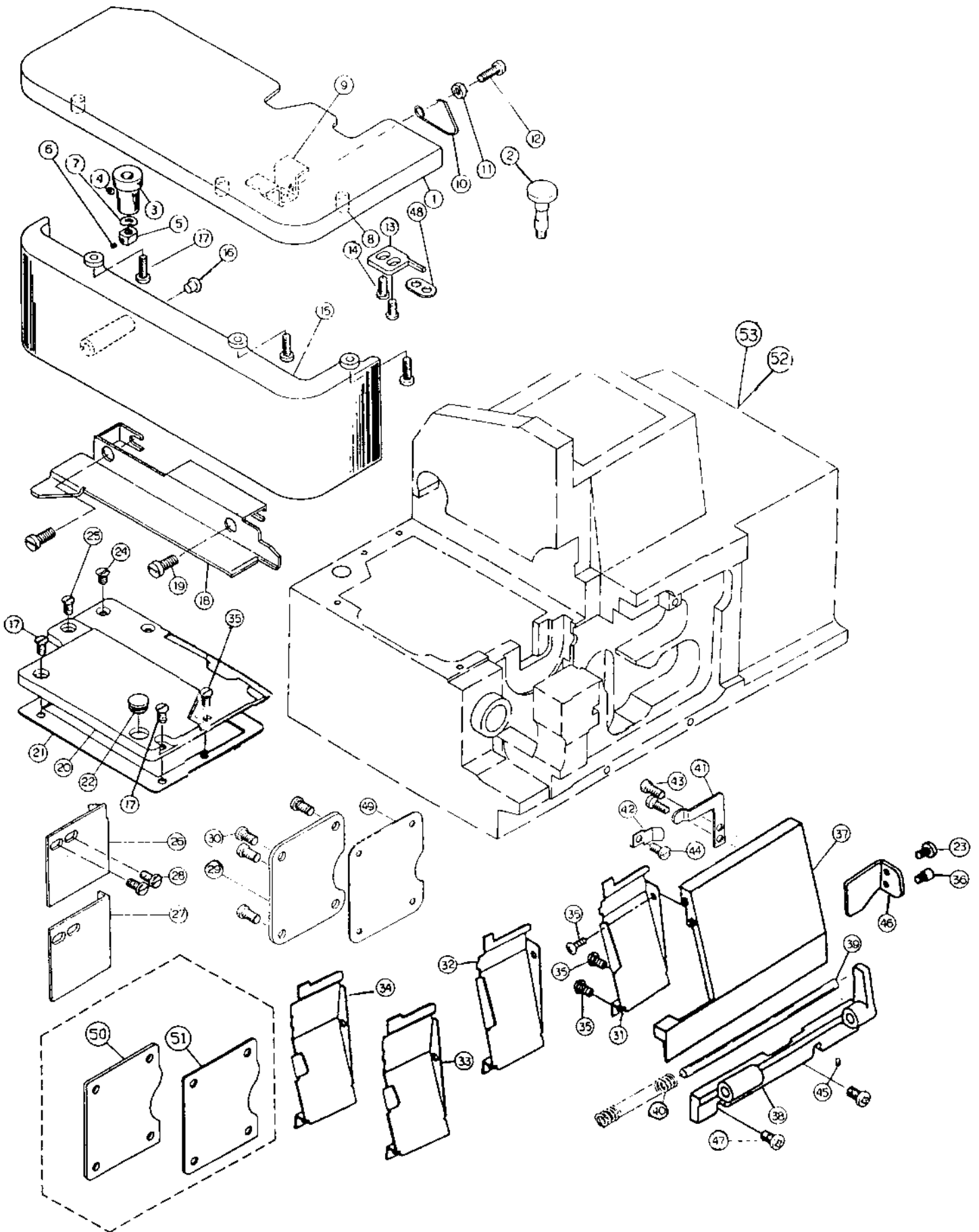
## 目錄 TABLE OF CONTENTS

1. 本體與外裝零件(一)	FRAME COMPONENT (1)-----	2
2. 本體與外裝零件(二)	FRAME COMPONENT (2)-----	4
3. 主軸與相關零件	CRANK SHAFT COMPONENTS-----	6
4. 針棒驅動軸與相關零件	NEEDLE DRIVING SHAFT COMPONENTS-----	8
5. 進給驅動機構(一)	FEED MECHANISM COMPONENTS (1)-----	10
6. 進給驅動機構(二)	FEED MECHANISM COMPONENTS (2)-----	12
7. 上下結線鈎與相關零件	UPPER AND LOWER LOOPER COMPONENTS-----	14
8. 鏈結線鈎與相關零件(五線用)	CHAIN LOOPER COMPONENTS (FOR SHT7005)-----	16
9. 壓腳機構(一)	PRESSER FOOT COMPONENTS (1)-----	18
10. 壓腳機構(二)	PRESSER FOOT COMPONENTS (2)-----	20
11. 縫線張力調節機構	THREAD TENSION COMPONENTS-----	22
12. 下刀與相關零件	LOWER KNIFE COMPONENTS-----	24
13. 上刀與相關零件	UPPER KNIFE COMPONENTS-----	26
14. 針與縫線冷卻裝置	NEEDLE COOLING MECHANISM-----	28
15. 潤滑系統	LUBRICATION MECHANISM-----	30
16. 上送傳送機構	VARIABLE TOP FEED MECHANISM-COMPONENTS-----	32
17. 機型變換	SPECIAL ORDER PARTS-----	34
18. 線架裝置	THREAD STAND COMPONENTS-----	36
19. 半沉式車板裝置	SEMI-SUNKEN TYPE TABLE COMPONENTS-----	38
20. 工具及附件	ACCESSORIES-----	40
21. SHJ7000 更換零件 (SHJ7005-D53-H16)	SHJ7000 SPARE PARTS-----	42

### 專用機型對照表

附錄一 車型零件列表 (SHT7003) (SHT7004) (SHT7005)	APPENDIX 1-GAUGE SET LIST-----	App.1
附錄二 穿線圖 (SH7003) (SH7004) (SH7005)	APPENDIX 2-THREAD GUIDE-----	App.2
附錄三 半沉式車版圖 全沉式車版圖	APPENDIX 3-DIMENSIONS FOR SEMI SUBMERGED MOUNTING APPENDIX 3-DIMENSIONS FOR FULLY SUBMERGED MOUNTING	App.3
索引表	INDEX -----	INDEX

1. 本體與外裝零件 (一)  
FRAME COMPONENT (一)



1. 本體與外裝零件 (一)

FRAME COMPONENT (一)

專用機型	序號	物料編號	名	稱	單位用量
	Ref.No.	Parts.No.	Description		Amt.Req
	1	2100000101	布板	Cloth plate asm	1
	2	2100000102	樞軸	Cloth plate hinge stud	1
	3	2100000103	偏心套管	Eccentric bushing	1
	4	8SN44400400E	螺絲	Screw	1
	5	2100000105	螺帽	Nut	1
	6	8SN32440300E	螺絲	Screw	1
	7	2100000107	波型墊圈	Waved washer	1
	8	2100000108	隔環	Collar	3
	9	2100000109	鎖扣座	Stopper base	1
	10	2100000110	彈簧	Spring	1
	11	8SA44400407A	螺帽	Nut	1
	12	8SB44401407A	螺絲	Screw	1
	13	2100000113	鎖扣	Stopper	1
	14	8SC44400807D	螺絲	Screw	2
	15	2100000115	布板架	Clothplate cover	1
	16	2100000116	減震橡膠	Rubber plug	1
	17	8SC36401307D	螺絲	Screw	3
	18	2102000118	布板側檔	Cloth plate side cover	1
	19	8SB48280808A	螺絲	Screw	2
	20	2102000120	左上蓋	Feed mechanism cover	1
	21	2100000121	防漏墊片	Gasket	1
	22	2100000122	減震橡膠	Rubber plug	1
	23	8SB36400607A	螺絲	Screw	1
	24	8SE36401107A	螺絲	Screw	1
	25	8SC36401007D	螺絲	Screw	3
1,3	26	2110030126	面蓋側檔	Chip guard cover left	1
7,8	27	2110050127	面蓋側檔	Chip guard cover left	1
	28	8SB44400608K	螺絲	Screw	2
	29	2100000129	背蓋	Cover	1
	30	8SC44400907D	螺絲	Screw	4
1	31	2110030131	導布屑	Chip guard cover	1
3	32	2110040132	導布屑	Chip guard cover	1
7	33	2110050133	導布屑	Chip guard cover	1
8	34	2110050134	導布屑	Chip guard cover	1
	35	8SC36400707D	螺絲	Screw	4
	36	8SB36400505M	螺絲	Screw	1
	37	2100000137	面蓋	Looper cover	1
	38	2100000138	樞銷座	Looper cover bracket	1
	39	2100000139	軸	Looper cover hinge pin	1
	40	2100000140	彈簧	Spring	1
	41	2100000141	定位鉤	Looper cover presser plate	1
	42	2100000142	定位扣	Looper cover presser spring	1
	43	8SC36400606D	螺絲	Screw	2
	44	8SC44400907D	螺絲	Screw	1
	45	8SN44400400E	螺絲	Screw	1
	46	2100000146	定位片	Latch	1
	47	8SC44401208D	螺絲	Screw	2
	48	2100000148	墊圈	Washer	1
	49	2100000149	防漏墊片	Gasket	1
19	50	2110000150	背蓋	Cover	1
19	51	2110000151	防漏墊片	Gasket	1
	52	2110000152	縫機本體	Framee	1
19	53	2110000153	縫機本體	Framee	1

1 For SHT7003

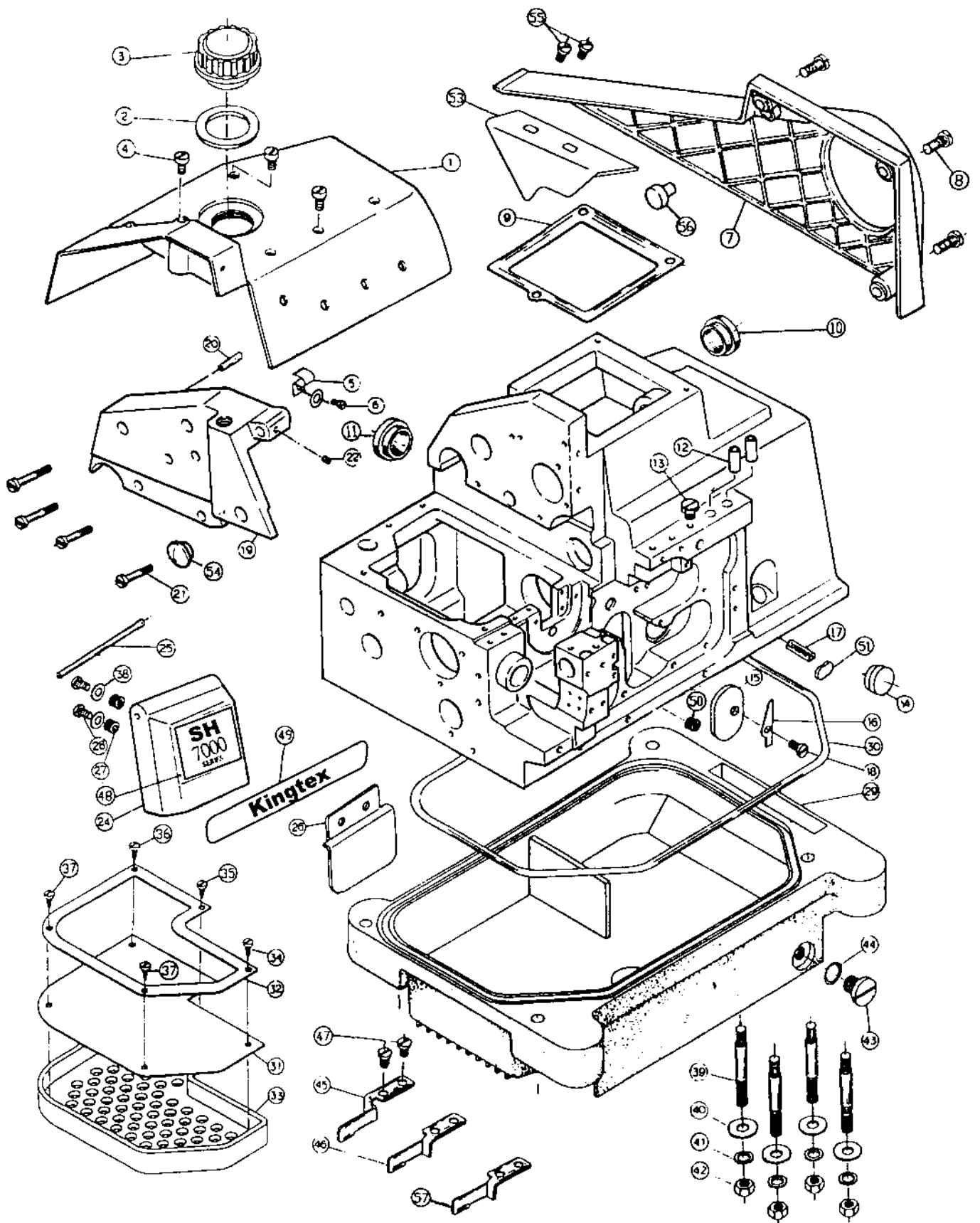
3 For SHT7004

7 For SHT7005-□ 3 □

8 For SHT7005-□ 5 □

19 For OEM大陸專用機

2. 本體與外裝零件 (二)  
 FRAME COMPONENT (二)

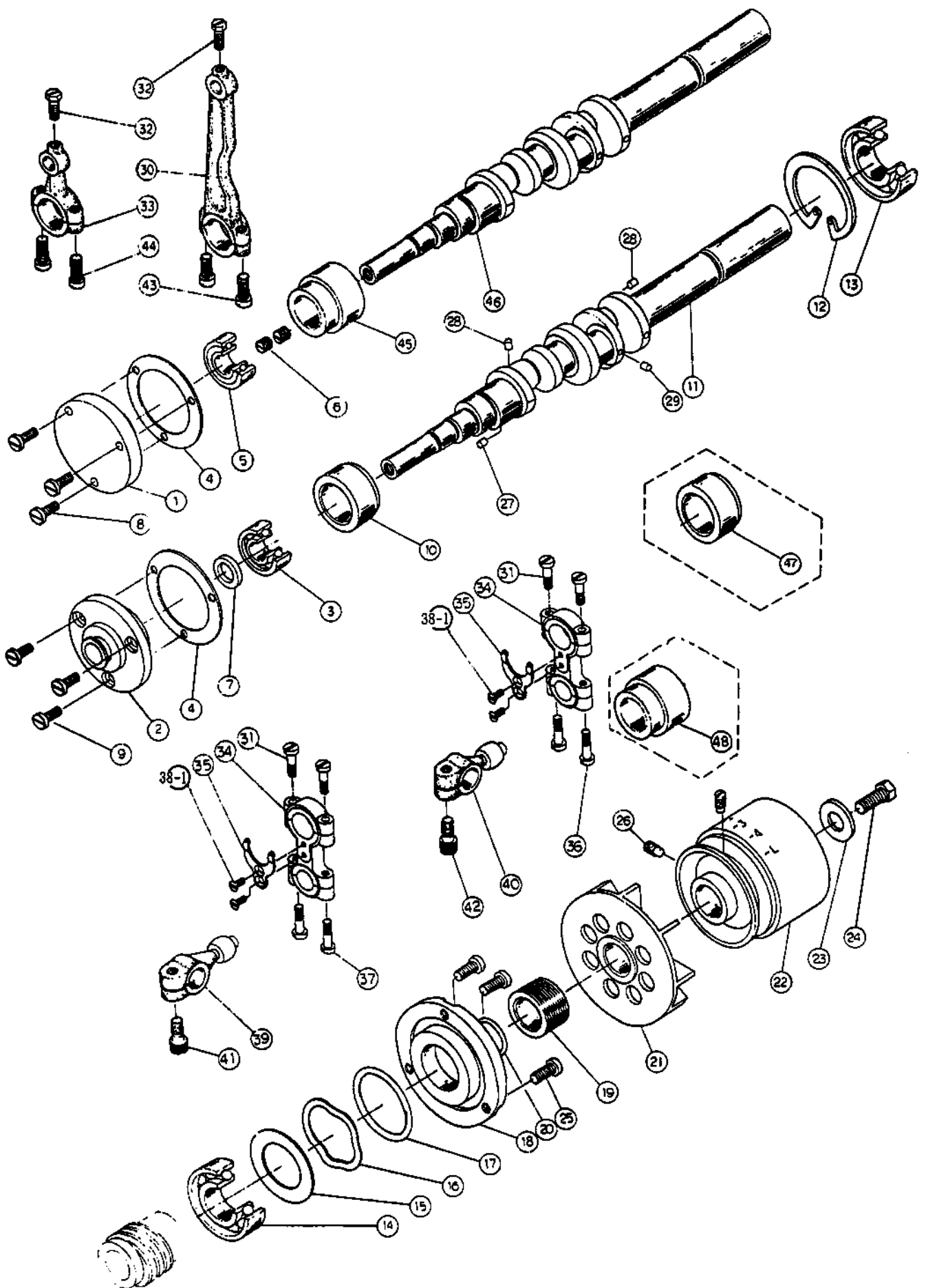


## 2. 本體與外裝零件 (二)

### FRAME COMPONENT (二)

專用機型	序號	物料編號	名稱	單位用量	
	Ref.No.	Parts.No.	Description	Amt. Req	
	1	2112000201	上蓋	Upper cover	1
	2	2100000202	防漏墊圈	Gasket	1
	3	2100000203	油鏡	Oil cap	1
	4	8SC48281208D	螺絲	Screw	3
	5	2100000205	簧片	Spring	1
	6	8SC36400707D	螺絲	Screw	1
	7	2110000207	皮帶護蓋	Belt cover	1
	8	8SC60281310D	螺絲	Screw	3
	9	2100000209	防漏墊片	Gasket	1
	10	2100000210	孔塞	Rubber plug	1
	11	2100000210	孔塞	Rubber plug	1
	12	2100000212	導線	Thread guide	2
	13	8SK60281109B	螺絲	Screw	1
1,3	14	2100030214	孔塞	Plug	1
	15	2100000215	羊毛氈	Felt	1
	16	2100000216	墊片	Washer	1
	17	66807	油線	Oil wick	1
	18	8SC44400907D	螺絲	Screw	1
	19	2112000219	左側蓋	Side cover	1
	20	90SP0410	彈簧銷	Spring pin	1
	21	8SB48282507B	螺絲	Screw	4
	22	8SN36400400E	螺絲	Screw	1
	23	2100000223	墊圈	Washer	1
	24	2110000224	針棒護蓋	Face plate cover	1
	25	2100000225	軸	Pin	1
	26	2110000226	護目蓋	Safety plate	1
	27	2100000227	螺帽	Nut	2
	28	8SC36400606D	螺絲	Screw	2
	29	2100000229	油盤	Oil reservoir	1
	30	2100000230	油封	Oil gasket	1
	31	2100000231	過濾布	Filter	1
	32	2100000232	壓板	Cord holder	1
	33	2100000233	濾油盤	Filter reservoir	1
	34	8WF03130807A	螺絲	Screw	1
	35	8WF03130807A	螺絲	Screw	1
	36	8WF03130807A	螺絲	Screw	1
	37	8WF03130807A	螺絲	Screw	2
	38	2100000223	墊圈	Washer	2
	39	8MG06405000B	螺樁	Bolts	4
	40	2100000240	墊圈	Washer	4
	41	90SW070	彈簧墊圈	Spring washer	4
	42	8MA06400612A	螺帽	Nut	4
	43	8SM95281017A	螺絲	Screw	1
	44	2100000244	油封	Oil ring	1
6	45	2100050245	補強片	Chip guard cover	1
1,3	46	2100030246	補強片	Chip guard cover	1
	47	8SB48280808A	螺絲	Screw	2
	48	66478-1	銘板	Name plate	1
	49	66478-2	銘板	Name plate	1
	50	8SN44400700E	螺絲	Screw	1
	51	2100000251	羊毛氈	Sponge	1
	52				
	53	2110000253	輔助板	Plate	1
	54	2200000109	孔塞	Plug	1
	55	2110000255	螺絲	Screw	2
	56	2100000116	減震橡膠	Rubber plug	1
4	57	2100040257	補強片	Chip guard cover	1
	1	For SHT7003	4	For SHT7004A53	
	3	For SHT7004	6	For SHT7005	

### 3. 主軸與相關零件 CRANK SHAFT COMPONENTS



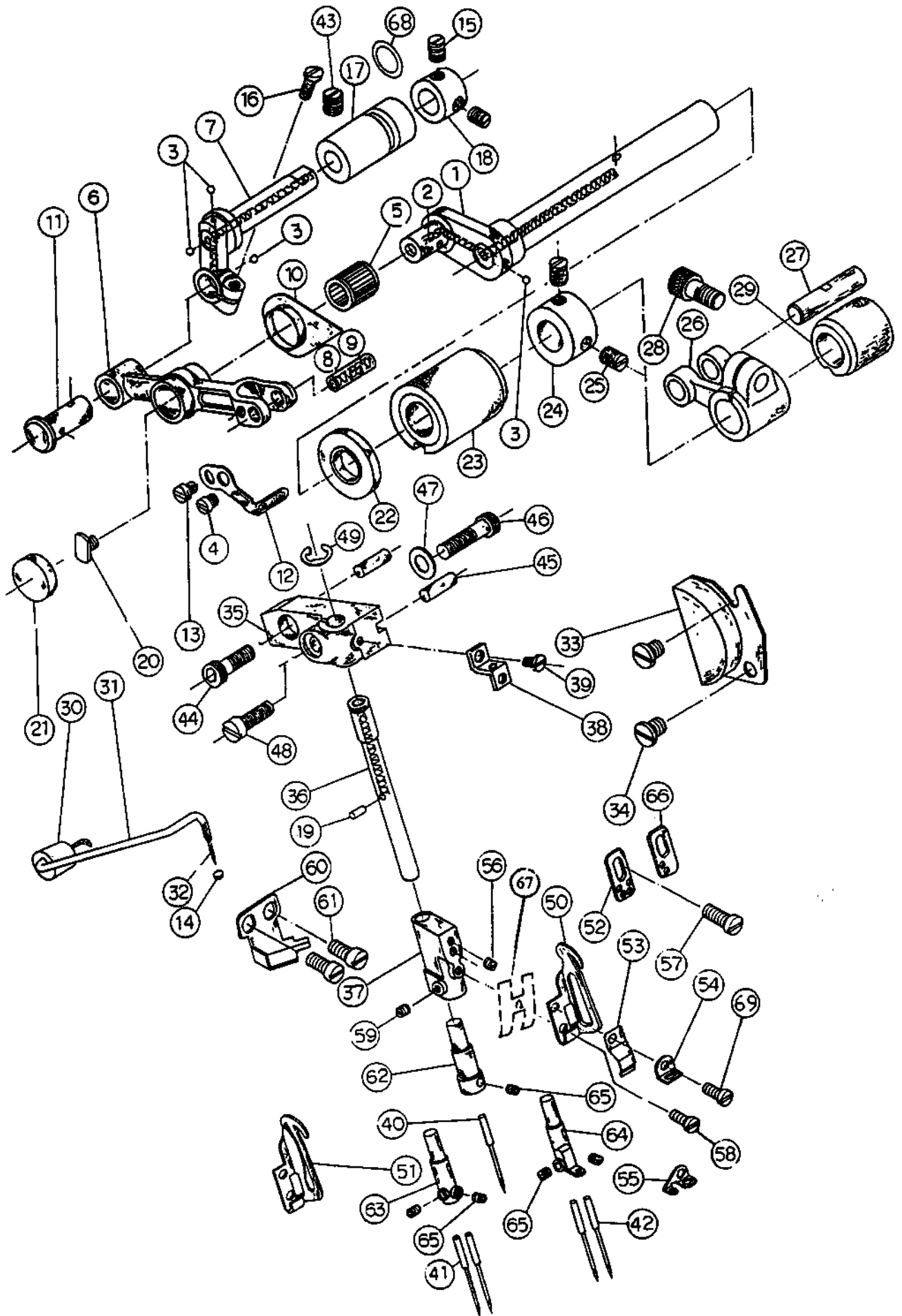
## 3. 主軸與相關零件

## CRANK SHAFT COMPONENTS

專用機型	序號	物料編號	名稱	單位	用量	
	Ref.No.	Parts.No.	Description		Amt.	
	1,3	1	2100030301	軸承座	Crankshaft bushing	1
	6	2	2100050302	軸承座	Crankshaft bushing	1
	6	3	90BB1026080Z	軸承	Ball bearing	1
		4	2100000304	防漏墊片	Gasket	2
	1,3	5	90BB102608	軸承	Ball bearing	1
	1,3	6	8SG60280700A	螺絲	Screw	2
	6	7	2100050826	油封	Oil seal	1
	19	8	8SC44401208D	螺絲	Screw	3
	6	9	8SB44400807A	螺絲	Screw	3
	6	10	2100050310	軸襯	Crankshaft bushing	1
	6	11	2100050311	主軸	Crankshaft	1
		12	2100000312	孔用C型扣環	Ball bearing retainer	1
		13	90BB174012	軸承	Ball bearing	1
		14	90BB1740120Z	軸承	Ball bearing	1
		15	2100000315	墊圈	Washer	1
		16	2100000316	波型墊圈	Waved washer	1
		17	2100000317	油環	Rubber ring	1
		18	2100000318	鋁蓋	Thrust holder	1
		19	2100000319	定位環	Position lock ring	1
		20	2100000320	油環	Oil seal	1
		21	2120000323	風扇	Fan	1
		22	2100000322	皮帶輪	Hand wheel	1
		23	2100000323	墊圈	Washer	1
		24	8SK60281510B	螺絲	Screw	1
		25	8SC48281208D	螺絲	Screw	3
		26	8SG60288506A	螺絲	Screw	2
		27	2100000327	孔塞	Plug	1
		28	2100000328	孔塞	Plug	2
		29	2100000329	孔塞	Plug	1
		30	2100000330	連桿	Needle bar connecting rod	1
		31	8MB04281507B	螺絲	Screw	4
		32	8SK44400606A	螺絲	Screw	2
		33	2100000333	上刀連桿	Knife driving rod	1
		34	2100000334	結線鉤連桿	Looper driving rod	2
		35	2100000335	導軌	Guide	2
		36	8MB04281507B	螺絲	Screw	2
		37	8MB04281507B	螺絲	Screw	2
		38	-	-	-	-
		(38-1)	8MB03200505K	螺絲	Screw	4
	1,3	39	2100030339	曲柄	Crank	1
		40	2100000340	曲柄	Crank	1
	1,3	41	8MM06301210A	螺絲	Screw	1
		42	8MM06301210A	螺絲	Screw	1
		43	8MB04281507B	螺絲	Screw	2
		44	8MB04281507B	螺絲	Screw	2
	1,3	45	2100030345	軸襯	Crankshaft bushing	1
	1,3	46	2100030346	主軸	Crankshaft	1
	19	47	2110050347	軸襯	Crankshaft bushing	1
	19	48	2110000348	軸襯	Crankshaft bushing	1
		1	For SHT7003	6	For SHT7005	
		3	For SHT7004	19	For OEM大陸專用機	



4. 針棒驅動軸與相關零件  
NEEDLE DRIVING SHAFT COMPONENTS



## 4. 針棒驅動軸與相關零件

## NEEDLE DRIVING SHAFT COMPONENTS

專用機型	序號	物料編號	名稱	單位	用量
	Ref.No.	Parts.No.	Description		Amt. Req
	1	2100000401	曲軸	Needle driving shaft	1
	2	66807	油線	Oil wick	1
	3	2100000403	孔塞	Plug	4
	4	8SB24560405A	螺絲	Screw	1
	5	90NB091213	軸承	Bushing	1
	6	2100000406	擺動臂	Needle driving lever	1
	7	2100000407	曲柄	Holder	1
	8	2100000408	樞銷	Crank pin	1
	9	66807	油線	Oil wick	1
	10	2100000410	聚油片	Oil shield	1
	11	2100000411	樞銷	Crank pin	1
	12	2100000412	驅動架	Needle thread presser	1
	13	8SB24560405A	螺絲	Screw	1
	14	2100000327	孔塞	Plug	1
	15	8SN44400400E	螺絲	Screw	2
	16	8SC36401006D	螺絲	Screw	1
	17	2100000417	軸襯	Bushing	1
	18	2100000418	定位環	Thrust collar	1
	19	2100000419	油線	Oil wick	1
	20	2100000420	螺椿	Bolt	1
	21	2100000421	護蓋	Cover	1
	22	2100000422	油封	Oil seal	1
	23	2100000423	軸襯	Bushing	1
	24	2100000424	定位環	Thrust collar	1
	25	8SG56320500A	螺絲	Screw	2
	26	2100000426	曲柄	Forked crank	1
	27	2100000427	樞銷	Pin	1
	28	8MM06301210A	螺絲	Screw	1
	29	2100000429	軸襯	Bushing	1
	30	2100000430	孔塞	Oil wick cover bushing	1
	31	66791	油管	Oil tube	1
	32	66806	油線	Oil wick	1
	33	2100000433	防塵蓋	Cover	1
	34	8SC44400508D	螺絲	Screw	2
	35	2102000435	針棒支持臂	Needle bar base	1
	36	2100000436	針棒	Needle bar	1
	37	2100000437	針留座	Needle clamp base	1
	38	2100000438	腳座	Needle thread guide	1
	39	8SB36400406A	螺絲	Screw	1
	40	66732-11	針	Needle	1
	41	66732-11	針	Needle	2
	42	66732-11	針	Needle	2
	43	8SG60280700A	螺絲	Screw	1
	44	8MM06402010A	螺絲	Screw	1
	45	90ST0414	銷	Pin	2
	46	8MM06402310A	螺絲	Screw	1
	47	2100000323	墊圈	Washer	1
	48	8SB48281208A	螺絲	Screw	1
	49	90ER070	E型扣環	Retainer E	1
10	50	2100130450	揚線環	Needle thread take-up lever	1
	51	2100000451	揚線環	Needle thread take-up lever	1
3	52	2100040452	導線	Needle thread guide	1
	53	2100000453	簧片	Presser spring	1
1,3	54	2100030454	導線	Needle thread guide	1
6	55	2100050455	導線	Needle thread guide	1
	56	8SG36400400A	螺絲	Screw	1
	57	8SB36400406A	螺絲	Screw	1
	58	8SB32440405A	螺絲	Screw	1
	59	8SN44400400E	螺絲	Screw	1
	60	2110000460	集油杯	Oil reservoir asm	1
	61	8SB36400406A	螺絲	Screw	2
1	62	5210NC03033	針留	Needle clamp	1
3	63	5210NC04022	針留	Needle clamp	1
6	64	5210NC05032	針留	Needle clamp	1
	65	8SH32440300A	螺絲	Screw	5
1,6	66	2100030466	導線	Needle thread guide	1
	67				
	68	2100000468	0型油環	Needle clamp base cover	1
	69	8SB32440505A	螺絲	Screw	1

1 For SHT7003

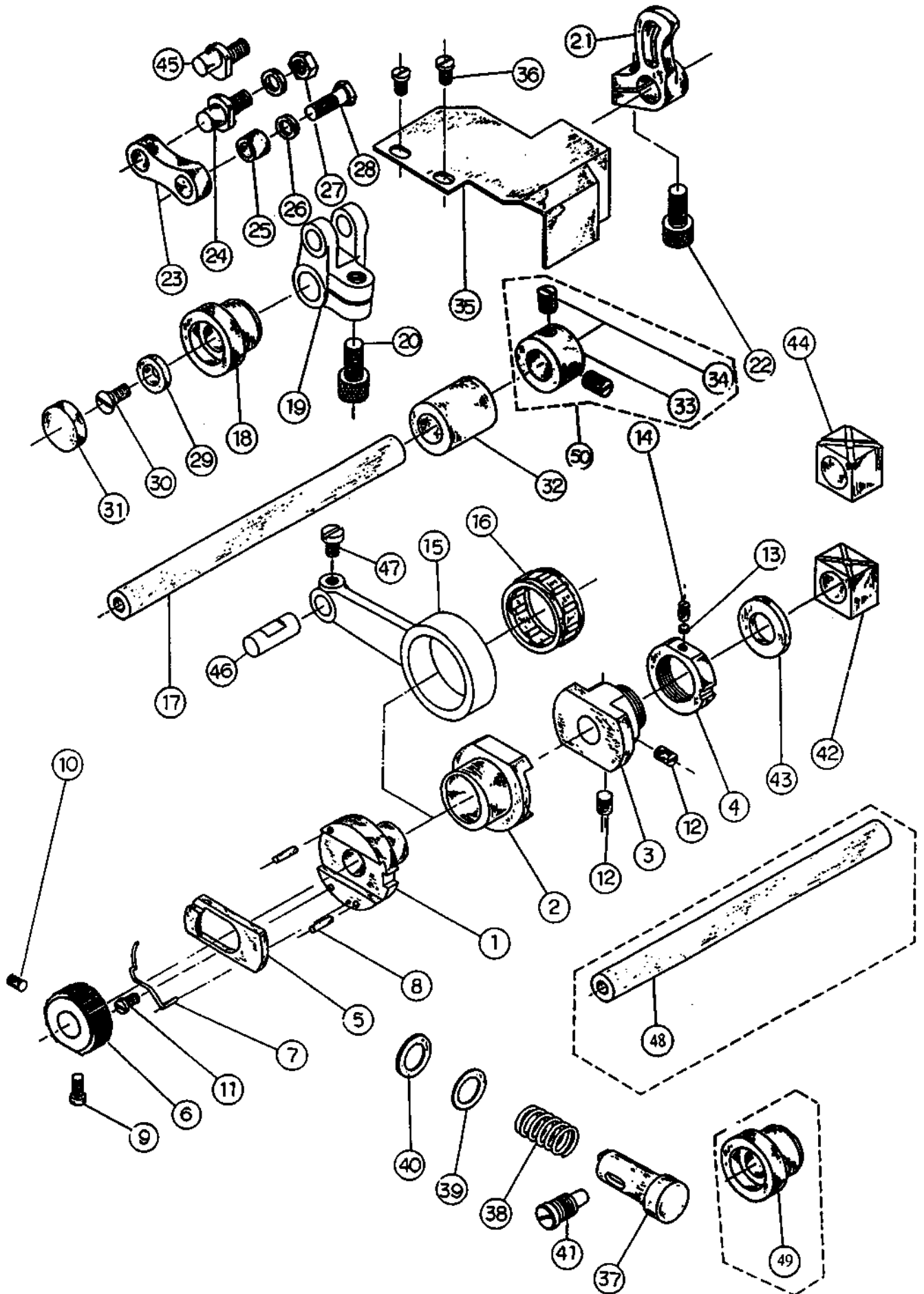
3 For SHT7004

6 For SHT7005

10 For SHT7013

5. 進給驅動機構 (一)

FEED MECHANISM COMPONENTS (一)



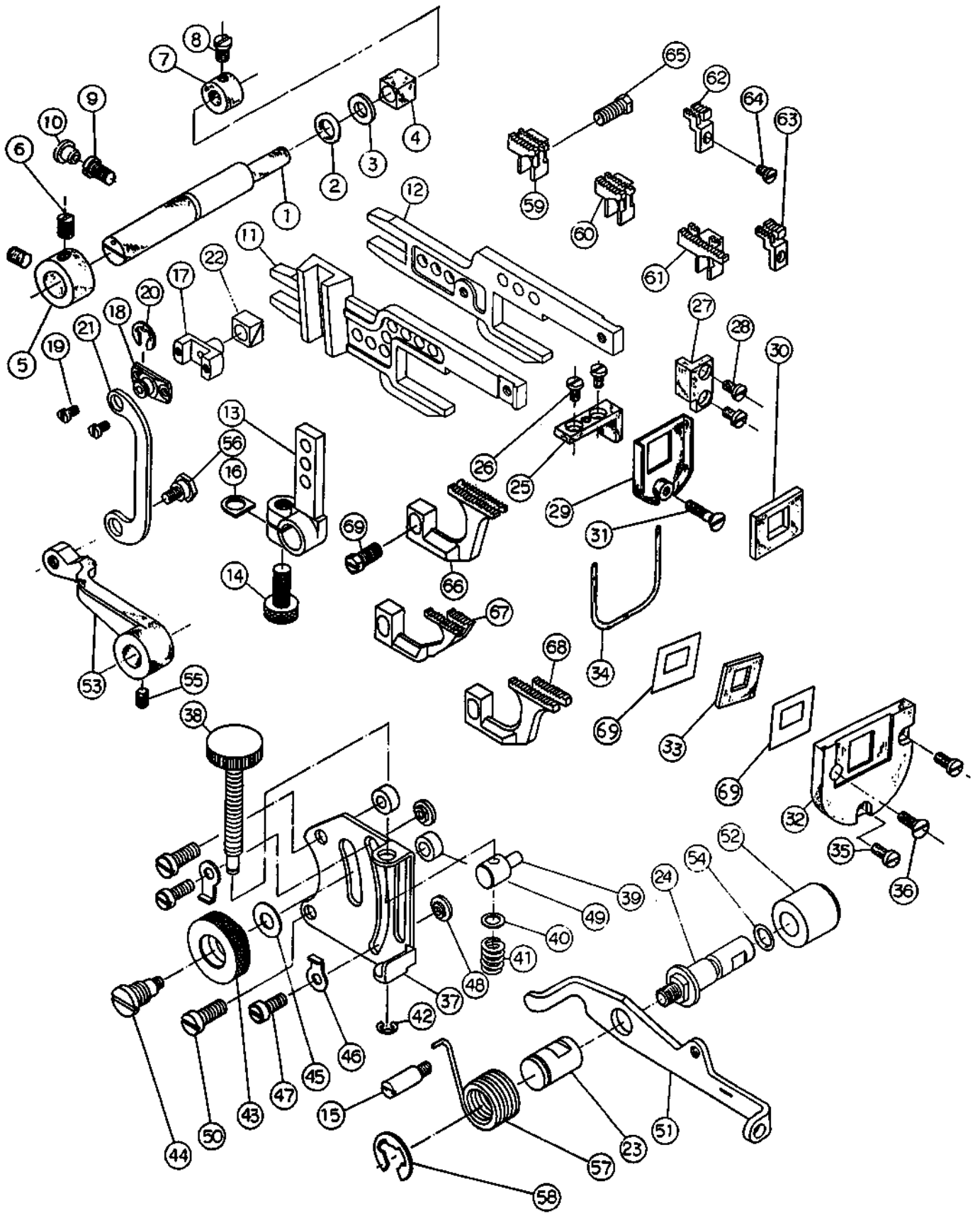
## 5. 進給驅動機構 (一)

## FEED MECHANISM COMPONENTS (一)

專用機型	序號	物料編號	名稱	單位	用量
	Ref.No.	Parts.No.	Description		Amt.
	1	2100000501	偏心輪	Eccentric	1
	2	2100000502	偏心輪	Eccentric	1
	3	2100000503	緊迫環	Press ring	1
	4	2100000504	緊迫螺帽	Nut	1
	5	2100000505	離合板	Ratchet pawl	1
	6	2100000506	棘齒輪	Ratchet gear	1
	7	2100000507	彈簧	Ratchet pawl spring	1
	8	90SP0310	彈簧銷	Spring pin	2
	9	8SB44400706F	螺絲	Screw	1
	10	8SN44400400E	螺絲	Screw	1
	11	8SB24560604B	螺絲	Screw	1
	12	8SN44400400E	螺絲	Screw	2
	13	2100000513	銅塞	Plug	1
	14	8SN32440300E	螺絲	Screw	1
	15	2100000515	連桿	Crank rod	1
	16	90NB222610	軸承	Bearing	1
	17	2100000517	軸	Rocker shaft	1
	18	2100000518	軸襯	Rocker shaft bushing	1
	19	2100000519	曲柄	Crank	1
	20	8MM06301210A	螺絲	Screw	1
	21	2100000521	曲柄	Main feed rocker	1
	22	8MM06301210A	螺絲	Screw	1
	23	2100000523	連桿	Main feed link	1
	24	2100000524	曲柄銷	Crank pin	1
	25	2100000525	隔環	Collar	1
	26	2100000526	墊圈	Washer	2
	27	8SA48320409B	螺帽	Nut	1
	28	8SK48321207C	螺絲	Screw	1
	29	2100000529	墊圈	Washer	1
	30	8SE36400806A	螺絲	Screw	1
	31	2100000531	孔塞	Rubber plug	1
	32	2100000532	軸襯	Bushing	1
	33	2100000533	定位環	Thrust collar	1
	34	8SG56320500A	螺絲	Screw	2
	35	2100000535	防油蓋	Cover	1
	36	8SC36400707D	螺絲	Screw	2
	37	2100000537	止動銷	Push button stud	1
	38	2100000538	彈簧	Spring	1
	39	2100000539	墊圈	Washer	1
	40	2100000540	羊毛氈	Felt	1
	41	8SB60281507D	螺樁	Bolt	1
6	42	2100050542	滑塊	Slide block	1
	43	2100000543	墊圈	Washer	1
1,3	44	2100030544	滑塊	Slide block	1
13	45	2100430545	曲柄銷	Grank pin	1
	46	2100000546	樞銷	Grank pin	1
	47	8SK44400606A	螺絲	Screw	1
19	48	2110000548	軸	Rocker shaft	1
19	49	2110000549	軸襯	Rocker shaft bushing	1
	50	210A0000533	定位環組	Thrust collar asm.	1
	1	For SHT7003	13	For SHT7043 SHT7044 SHT7045 SHT7074 SHT7075	
	3	For SHT7004	19	For OEM大陸專用機	
	6	For SHT7005			

# 6. 進給驅動機構 (二)

## FEED MECHANISM COMPONENTS (二)



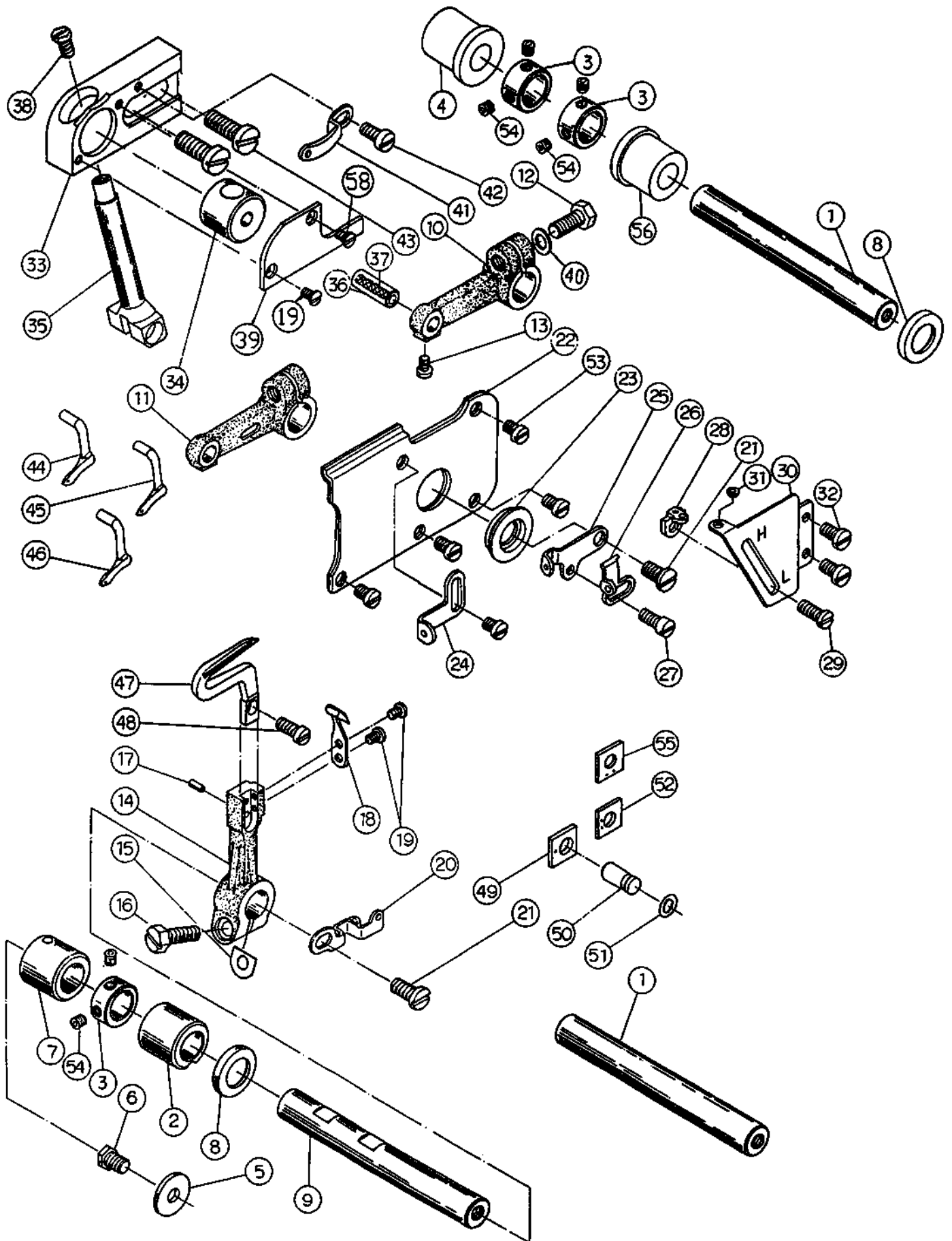
## 6. 進給驅動機構 (二)

### FEED MECHANISM COMPONENTS (二)

專用機型	序號	物料編號	名稱	單位	用量
	Ref.No.	Parts.No.	Description		Amt. Req
	1	2100000601	調整桿	Feed bar shaft	1
	2	90OR070	油環	Rubber ring	1
	3	2100000603	墊圈	Washer	1
	4	2100000604	滑塊	Slide block	1
	5	2100000605	定位環	Collar	1
	6	8SG56320500A	螺絲	Screw	2
	7	2100000607	定位環	Collar	1
	8	8SB44400706A	螺絲	Screw	1
	9	8SB44400706A	螺絲	Screw	1
	10	2100000610	孔塞	Plug	1
	11	2100000611	驅動架	Main feed bar	1
	12	2100000612	驅動架	Differential feed bar	1
	13	2100000613	導軌	Differential feed rocker	1
	14	8MM06301210A	螺絲	Screw	1
	15	8SB48280606M	螺絲	Stopper screw	1
	16	2100000616	墊圈	Washer	1
	17	2100000617	滑塊	Slide block	1
	18	2100000618	滑塊	Slide block	1
	19	8SB32440505K	螺絲	Screw	2
	20	90ER050	E型扣環	Retainer E	1
	21	2100000621	連桿	Link	1
	22	2100000622	滑塊	Slide block	1
	23	2100000623	螺帽	Nut	1
	24	2100000624	螺樁	Hinge screw	1
	25	2100000625	導軌	Feed bar support	1
	26	8SC36400706D	螺絲	Screw	2
	27	2100000627	導軌	Feed bar support	1
	28	8SB36400505A	螺絲	Screw	2
	29	2100000629	油封座	Rubber cover	1
	30	2100000630	油封	Rubber	1
	31	8SE36401107A	螺絲	Screw	1
	32	2100000632	防漏蓋	Rubber case	1
	33	2100000633	外活動油封	Rubber	1
	34	2100000634	防漏橡膠	Rubber ring	1
	35	8SC36400806D	螺絲	Screw	2
	36	8SE36401107A	螺絲	Screw	1
	37	2100000637	差動刻記板	Differential feed graduation	1
	38	2100000638	調整螺樁	Adjusting screw	1
	39	2100000639	微調定位銷	Differential feed block	1
	40	2100000640	墊圈	Washer	1
	41	2100000641	彈簧	Spring	1
	42	90ER030	E型扣環	Retainer E	1
	43	2100000643	螺帽	Lock nut	1
	44	2100000644	螺樁	Hinge screw	1
	45	2100000645	墊圈	Washer	1
	46	2100000646	墊圈	Washer	2
	47	8SC36400606D	螺絲	Screw	2
	48	2100000648	螺帽	Nut	2
	49	2100000649	墊圈	Washer	2
	50	8SC48281208D	螺絲	Screw	2
	51	2100000651	調節桿	Rocker shaft	1
	52	2100000652	軸襯	Bushing	1
	53	2100000653	連結臂	Differential feed rocker	1
	54	90OR060	油環	Rubber ring	1
	55	8SN60280800E	螺絲	Screw	1
	56	8SK44400609E	螺絲	Hinge screw	1
	57	2100000657	彈簧	Spring	1
	58	90ER090	E型扣環	Retainer E	1
	1	59	送布齒	Differential feed dog	1
	3	60	送布齒	Differential feed dog	1
	6	61	送布齒	Differential feed dog	1
1,3	62	送布齒	Auxiliary feed dog	1	
6	63	送布齒	Auxiliary feed dog	1	
	64	8SB32440705A	螺絲	Screw	1
	65	8SK44400907A	螺絲	Screw	2
1	66	送布齒	Main feed dog	1	
6	67	送布齒	Main feed dog	1	
3	68	送布齒	Main feed dog	1	
	69	2100000669	墊片	Washer	2
		1 For SHT7003	6 For SHT7005		
		3 For SHT7004			

7. 上下結線鉤與相關零件

UPPER AND LOWER LOOPER COMPONENTS



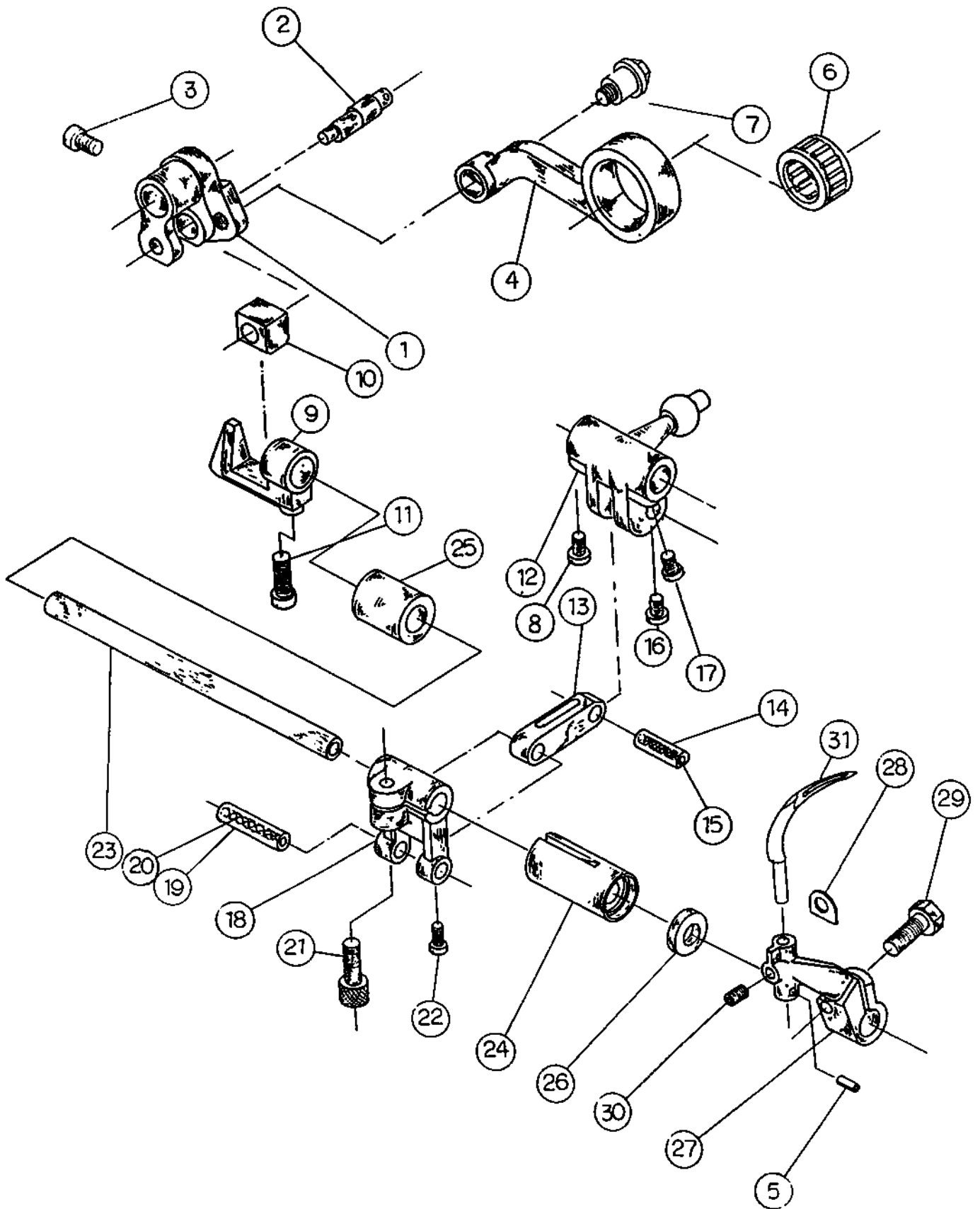
## 7. 上下結線鉤與相關零件

## UPPER AND LOWER LOOPER COMPONENTS

專用機型	序號	物料編號	名稱	單位用量
	Ref.No.	Parts.No.	Description	Amt.Req
1,3	1	2100030701	軸	Upper looper shaft 2
17	2	2100000702	軸襯	Bushing 1
17	3	2100000703	定位環	Thrust collar 3
	4	2100000704	軸襯	Bushing 1
	5	2100000705	墊圈	Washer 1
	6	8SK44400907P	螺絲	Screw 1
	7	2100000707	軸襯	Bushing 1
	8	2100000708	油封	Rubber ring 2
6	9	2100050709	軸	Lower looper shaft 1
1,6	10	2100030710	曲柄	Crank 1
3	11	2100040711	曲柄	Crank 1
	12	8SK60281307F	螺絲	Screw 1
	13	8SB36400505A	螺絲	Screw 1
	14	2100000714	擺動臂	Lower looper support arm 1
	15	2100000715	墊圈	Washer 1
	16	8SK60281007F	螺絲	Screw 1
	17	90SP0206	彈簧銷	Spring pin 1
	18	-----	導針	Travelling needle guide 1
	19	8SB32440405A	螺絲	Screw 3
	20	2100000720	導線	Looper thread take-up 1
	21	8SC44400808D	螺絲	Screw 2
	22	2100000722	防塵蓋	Oil shield plate 1
	23	2100000723	油封	Oil seal 1
	24	2100000724	導線	Thread guide 1
	25	2100000725	導線	Looper thread take up 1
	26	2100000726	導線	Thread take up 1
	27	8SC32440406A	螺絲	Screw 1
	28	2100000728	導線	Lower looper thread guide 1
	29	8SB36400406A	螺絲	Screw 1
	30	2100000730	導線	Looper thread take up cover 1
	31	2100000731	導線	Thread guide 1
	32	8SC44400907D	螺絲	Screw 2
	33	2102000733	軸承座	Guide support 1
	34	2100000734	擺動軸承	Lever guide 1
	35	2110000735	擺動軸	Upper looper lever 1
	36	2100000736	曲柄銷	Pin 1
	37	66807	油線	Oil wick 1
	38	8SK44400605D	螺絲	Screw 1
	39	2100000739	擋片	Guide cover 1
	40	2100000740	墊圈	Washer 1
	41	2100000741	導線	Thread guide 1
	42	8SC36400707D	螺絲	Screw 1
	43	8SB60281609A	螺絲	Screw 2
1,14	44	-----	結線鉤	Upper looper 1
1,16	45	-----	結線鉤	Upper looper 1
1,15	46	-----	結線鉤	Upper looper 1
	47	-----	下結線鉤	Lower looper 1
	48	8SC36400606D	螺絲	Screw 1
1,6	49	2100030749	定位片	Stopper 1
	50	2100000750	定位銷	Pin 1
	51	90OR040	油環	Rubber ring 1
3	52	2100040752	定位片	Stopper 1
	53	8SC36401007D	螺絲	Screw 5
17	54	8SN44400400E	螺絲	Screw 6
4	55	2100040755	定位片	Stopper 1
17	56	2100000756	軸襯	Bushing 1
	57	-----	-----	-----
	58	8SB32440705A	螺絲	Screw 1
	1	For SHT7003	14 For SHT7005 (Needle #8~#13)	
	3	For SHT7004	15 For SHT7005 (Needle#21) and SHT7004 (Needle #9~#16)	
	4	For SHT7004A53	16 For SHT7005 (Needle #14~#20) and SHT7004 (Needle#6~#8)	
	6	For SHT7005	17 修正 REVISED	



8. 鏈結線鉤與相關零件  
CHAIN LOOPER COMPONENTS (FOR SHT7005)

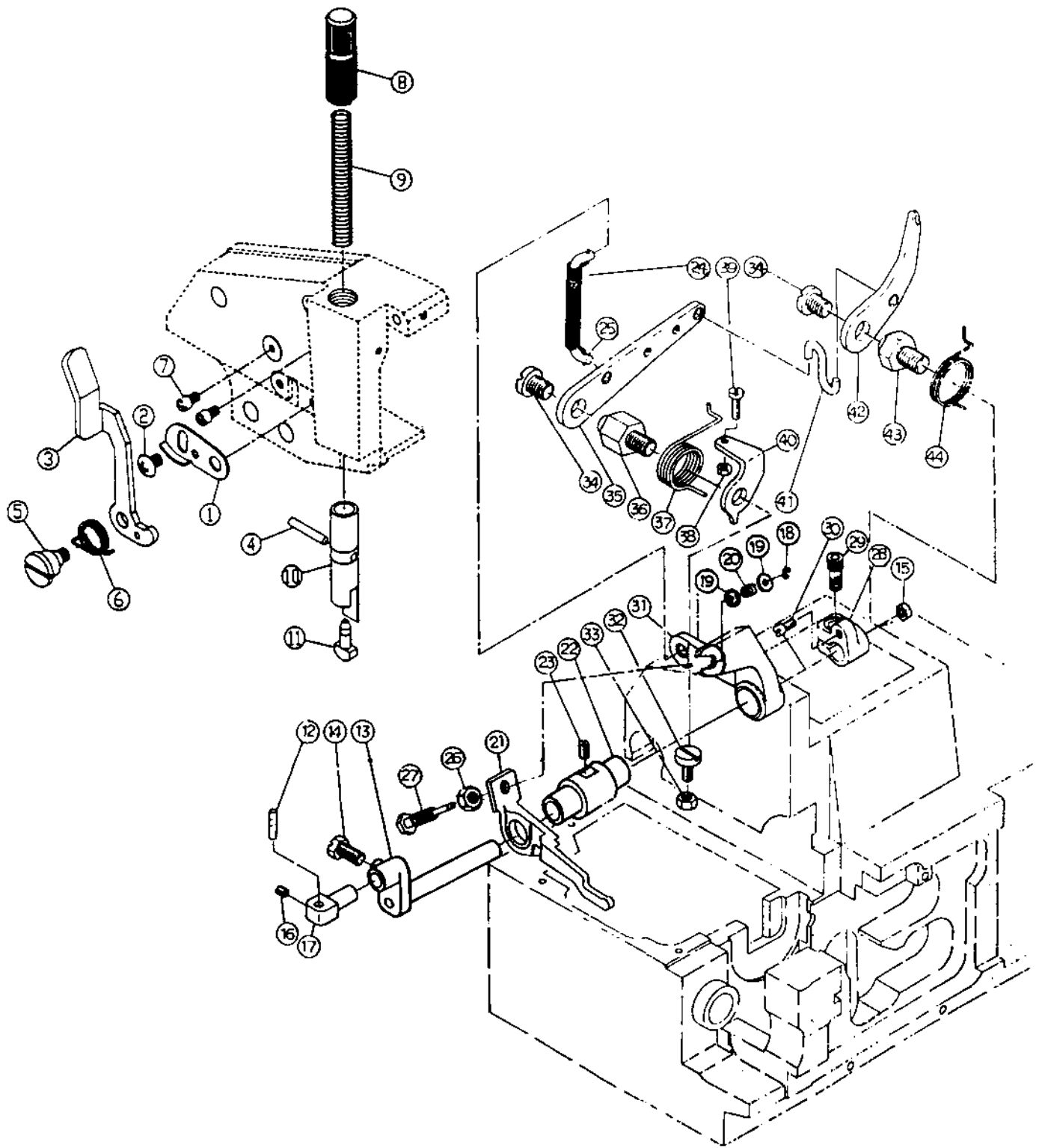


## 8. 鏈結線鈎與相關零件

### CHAIN LOOPER COMPONENTS (FOR SHT7005)

序號 Ref.No.	物料編號 Parts.No.	名稱 Description	單位用量 Amt.Req
1	2100050801	擺動臂	1
2	2100050802	曲軸	1
3	8SB44400706A	螺絲	1
4	2100050804	連桿	1
5	90SP0208	彈簧銷	1
6	90NB182210	軸承	1
7	8SK56321309E	螺絲	1
8	8SB44400706A	螺絲	1
9	2100050809	擺動接頭	1
10	2100050810	滑塊	1
11	8SK48321207A	螺絲	1
12	2100050812	曲柄	1
13	2100050813	連桿	1
14	2100050814	樞銷	1
15	66807	油線	1
16	8SB36400505A	螺絲	1
17	8SB44400706A	螺絲	1
18	2100050818	曲柄	1
19	2100050819	曲柄銷	1
20	66807	油線	1
21	8MM06301210A	螺絲	1
22	8SB36400505A	螺絲	1
23	2100050823	軸	1
24	2100050824	軸襯	1
25	2100050825	軸襯	1
26	2100050826	油封	1
27	2100050827	擺動臂	1
28	2100050828	墊圈	1
29	8SK60281007F	螺絲	1
30	8SN44400400E	螺絲	1
31	-----	結勾	1

9. 壓腳機構 (一)  
PRESSER FOOT COMPONENTS (一)

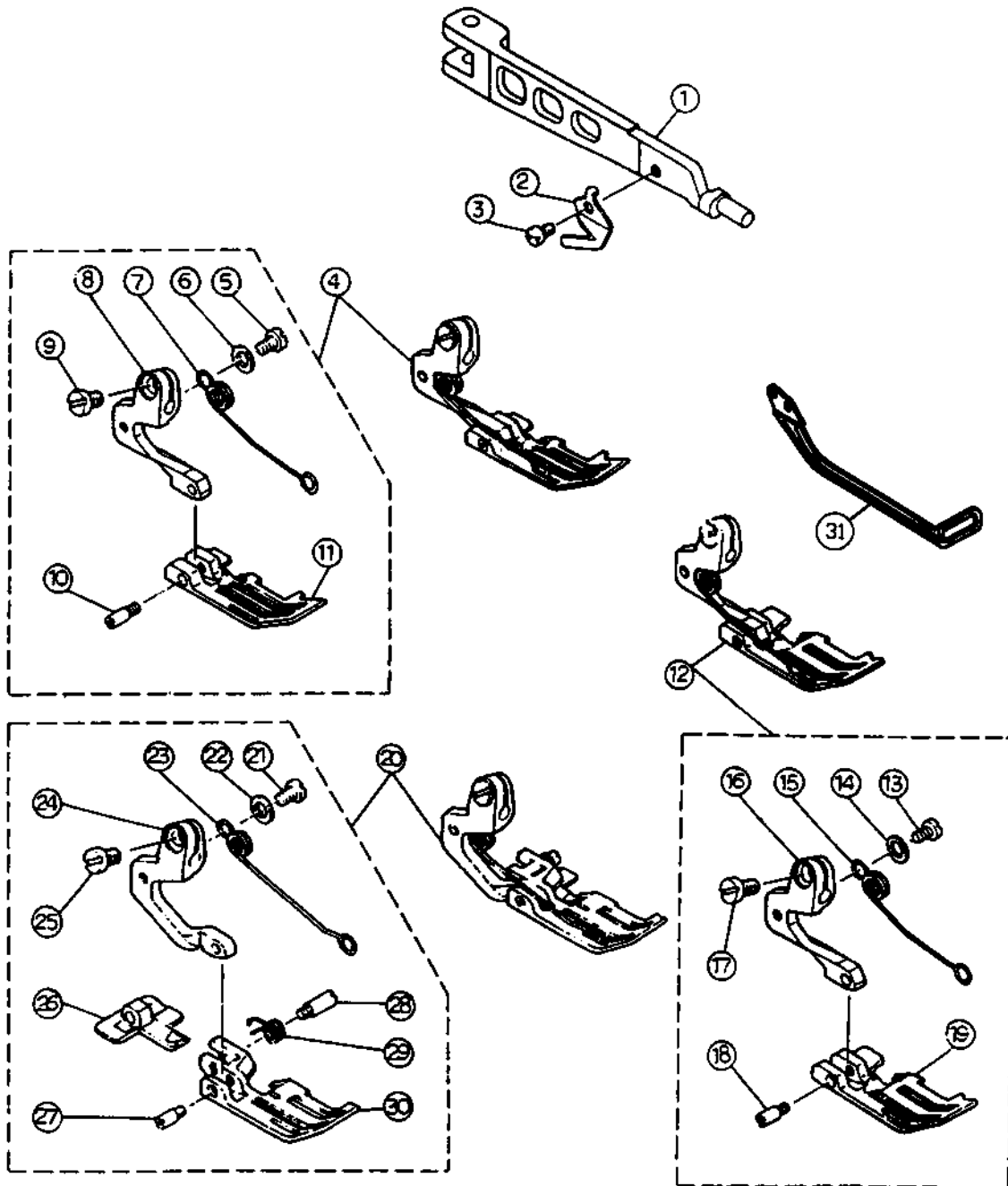


## 9. 壓腳機構 (一)

### PRESSER FOOT COMPONENTS (一)

序號 Ref.No.	物料編號 Parts.No.	名 Description	稱	單位用量 Amt.Req
1	210000921	墊片	Base	1
2	8SC44400508D	螺絲	Screw	1
3	210000919	板手	Presser foot lifting lever	1
4	90SP0318	彈簧銷	Spring pin	1
5	210000922	螺椿	Screw	1
6	210000923	彈簧	Spring	1
7	8SB36400505M	螺絲	Screw	2
8	210000915	調節螺椿	Presser spring regulaur	1
9	210000916	彈簧	Spring	1
10	210000917	壓桿	Presser bar	1
11	210000918	壓子	Plunger collar	1
12	2100001004	樞銷	Pin	1
13	2102000913	驅動軸	Presser foot shaft asm	1
14	8SK48280907A	螺絲	Screw	1
15	8SA44400307A	螺帽	Nut	1
16	8SN44400400E	螺絲	Screw	1
17	2102000917	壓腳臂驅鈕	Adjusting base	1
18	90ER015	E型扣環	Snap ring	1
19	2102000919	盤簧	Washer	2
20	2102000920	彈簧	Spring	1
21	2102000921	揚齒臂	Top feed dog lifter	1
22	2102000922	軸襯	Bushing	1
23	8SH60280700A	螺絲	Screw	1
24	2102000924	彈簧	Spring	1
25	2102000925	吊鉤	Lifting hook	1
26	8SA64400309B	螺帽	Nut	1
27	2102000927	螺椿	Stud	1
28	2102000928	曲柄	Presser foot shaft thrust arm	1
29	8MM06301210A	螺絲	Screw	1
30	8SB44401705J	螺絲	Screw	1
31	2102000931	螺椿	Lifting lever screw	1
32	8SK60281109B	螺絲	Screw	1
33	8SA60280309A	螺帽	Nut	1
34	8SC64240916C	螺絲	Screw	2
35	2102000935	連桿	Lifting lever	1
36	210000931	螺椿	Lifting lever screw	1
37	210000932	彈簧	Spring	1
38	8SA44400307A	螺帽	Nut	1
39	8SK44401307A	螺絲	Screw	1
40	210000933	止動片	Stopper	1
41	2102000941	S鉤	Lever connecting hook	1
42	2102000942	連桿	Lifting lever	1
43	2102000943	螺椿	Stud	1
44	2102000944	彈簧	Spring	1

10. 壓腳機構 (二)  
PRESSER FOOT COMPONENTS (二)

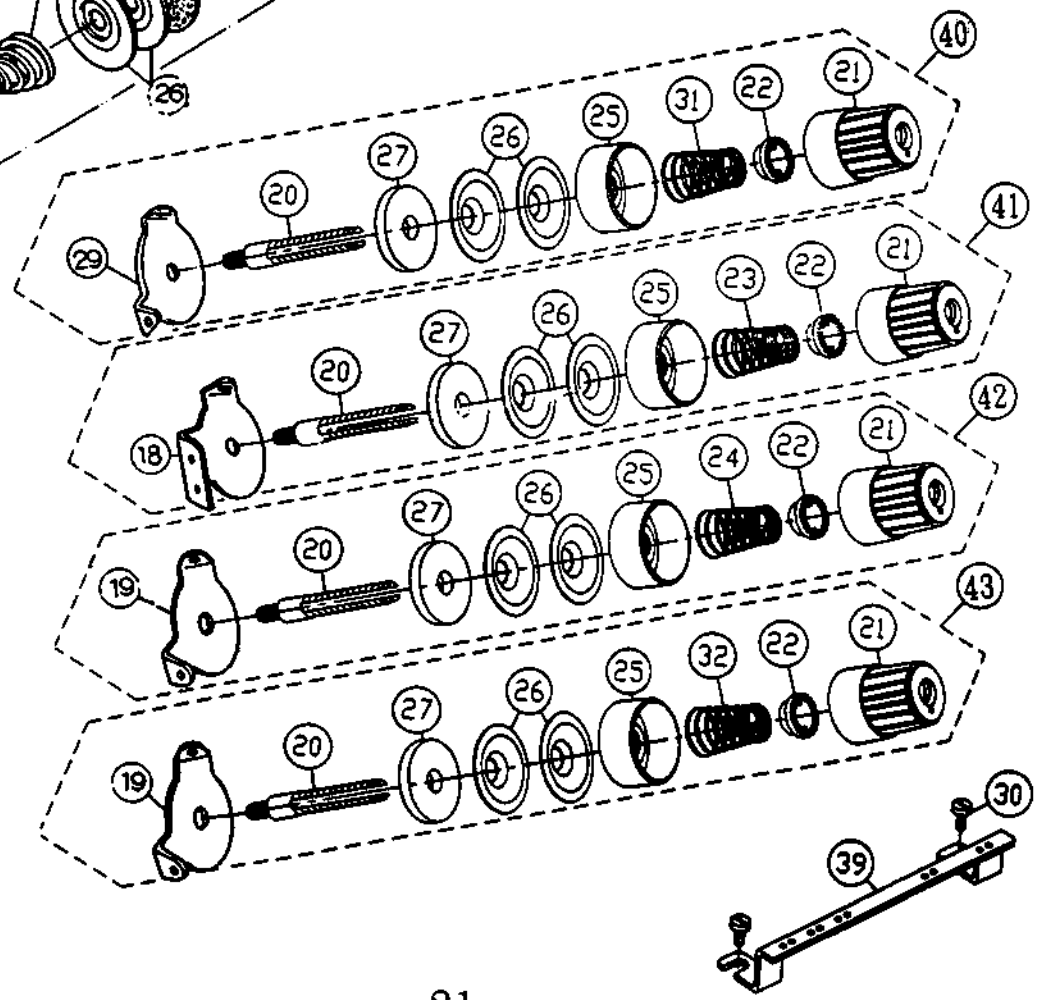
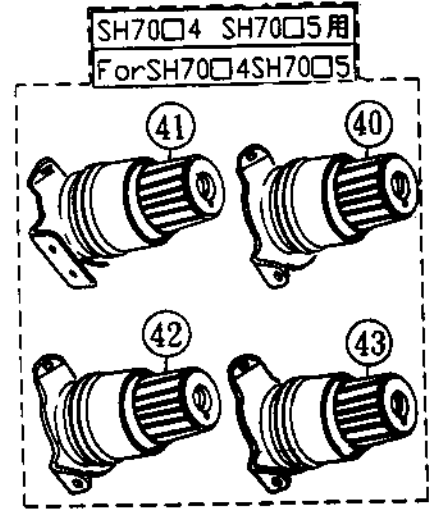
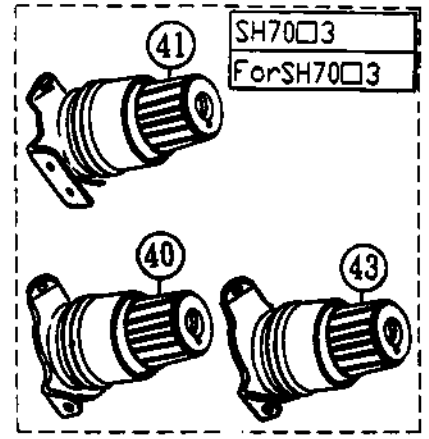
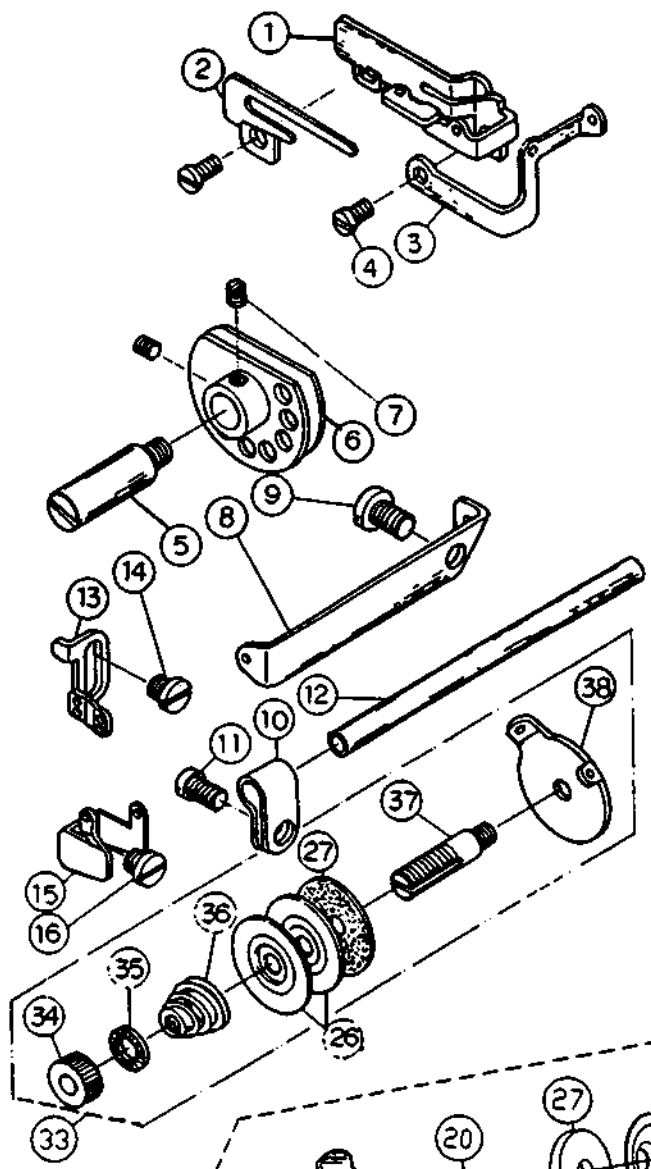


## 10. 壓腳機構 (二)

### PRESSER FOOT COMPONENTS (二)

序號 Ref.No.	物料編號 Parts.No.	名 Description	稱	單位用量 Amt.Req
1	2112001001	壓腳臂	Presser foot arm	1
2	2100001002	切線刀	Thread teimmer	1
3	8SB24560305A	螺絲	Screw	1
4	TPF603032	壓腳組	Presser foot asm.	- - - - -
5	8SC32440406A	螺絲	Screw	1
6	2100031009000	墊圈	Washer	1
7	5210PF-T032C	彈簧	Spring	1
8	TPF603032A	壓腳柄	Presser foot hinge	- - - - -
9	8SB36400606A	螺絲	Screw	1
10	5210PF-T032D	螺樁	Hinge pin	1
11	TPF603032B	壓腳底	Presser foot	- - - - -
12	TPF604A320	壓腳組	Presser foot asm.	- - - - -
13	8SC32440406A	螺絲	Screw	1
14	2100031009000	墊圈	Washer	1
15	5210PF-T032C	彈簧	Spring	1
16	TPF603032A	壓腳柄	Presser foot hinge	- - - - -
17	8SB36400606A	螺絲	Screw	1
18	5210PF-T032D	螺樁	Hinge pin	1
19	TPF604A32B	壓腳底	Presser foot	- - - - -
20	TPF605C32	壓腳組	Presser foot asm.	- - - - -
21	8SC32440406A	螺絲	Screw	1
22	2100031009000	墊圈	Washer	1
23	FPF605C32D	彈簧	Spring	- - - - -
24	FPF605C32A	壓腳柄	Presser foot hinge	- - - - -
25	8SB36400606A	螺絲	Screw	1
26	TPF605C53C	後壓腳	Rear presser foot	- - - - -
27	FPF605C32E	螺絲	Hinge pin	- - - - -
28	FPF605C32F	螺絲	Hinge pin	- - - - -
29	FPF605C32G	彈簧	Spring	- - - - -
30	TPF605C53B	壓腳底	Presser foot	- - - - -
31	2102001031	護指環	Collar	1

11. 縫線張力調節機構  
 THREAD TENSION COMPONENTS



# 11. 縫線張力調節機構

## THREAD TENSION COMPONENTS

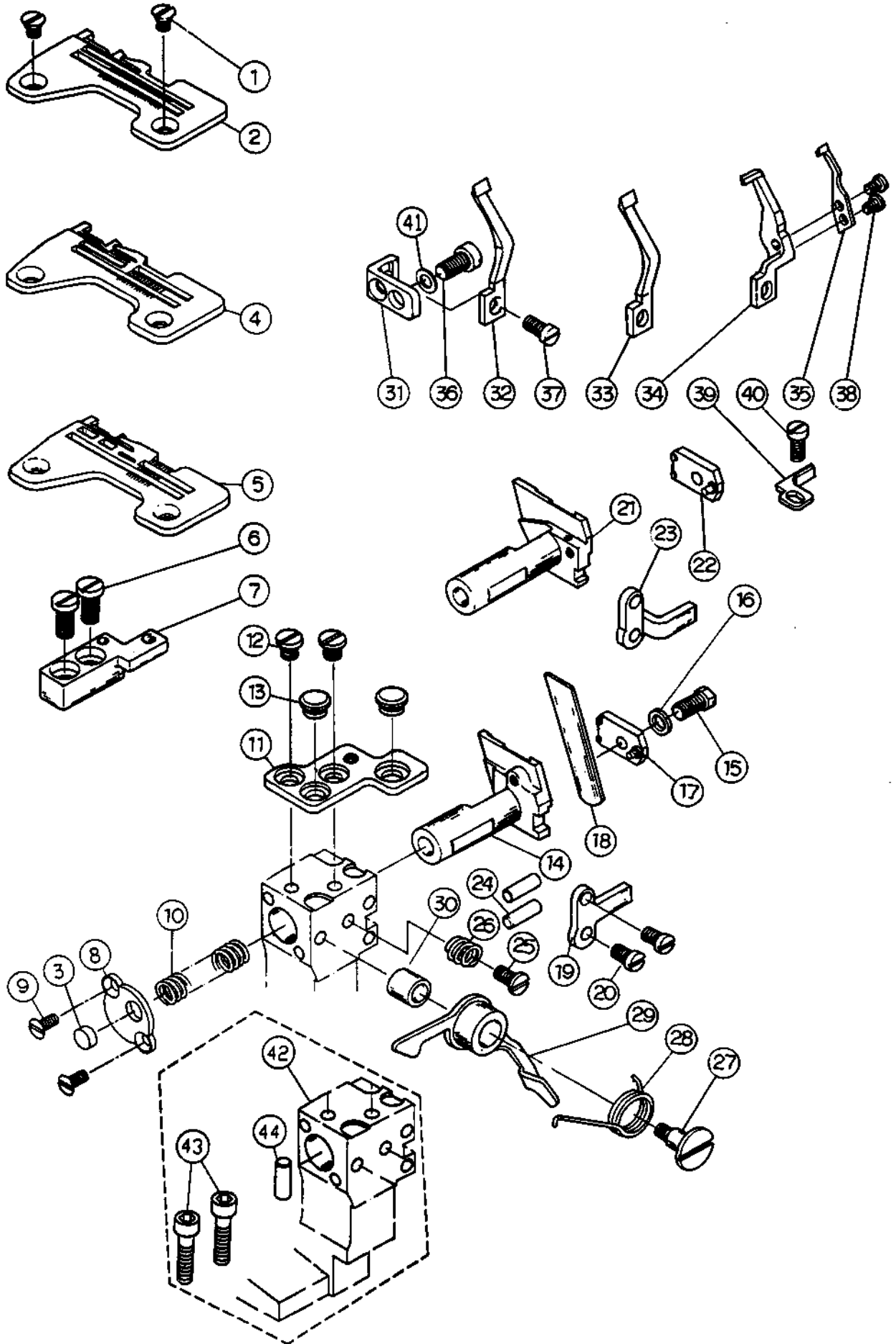
專用機型	序號 Ref.No.	物料編號 Parts.No.	名 Description	稱	單位用量 Amt.Req	
	6	1	2100051101	導線	Chain looper thread guide	1
	6	2	2100051102	導線	Hook	1
	6	3	2100051103	導線	Chain looper thread guide	1
	6	4	8SC36400806D	螺絲	Screw	2
	6	5	2100051105	螺樁	Stud	1
	6	6	2100051106	張力變換凸輪	Thread cam	1
	6	7	8SN44400400E	螺絲	Screw	2
	6	8	2100051108	導線	Thread guide	1
	6	9	8SC60281310D	螺絲	Screw	1
	6	10	2100051110	固定夾	Mounting bracket	1
	6	11	8SC44400907D	螺絲	Screw	1
	6	12	2100051112	導線管	Thread guide tube	1
		13	2100001113	導線	Needle thread guide	1
		14	8SC44400808D	螺絲	Screw	1
	6	15	2100051115	導線	Needle thread guide	1
	6	16	8SC44400808D	螺絲	Screw	1
	1	17	-----	張力控制組	Thread tension spring asm.	1
		18	2100001118	導線	Thread guide	2
		19	2100001119	導線	Thread guide	4
		20	2110001120	螺樁	Stud	7
		21	2100001121	調節螺帽	Nut	7
		22	2100001122	套管	Bushing	7
		23	2100001123	彈簧	Spring (Red)	2
		24	2100001124	彈簧	Spring (Green)	1
		25	2100001125	彈簧座	Spring tube	7
		26	2100001126	張力盤	Tension disc	16
		27	2100001127	減震墊	Felt	8
	3,6	28	-----	張力控制組	Tension controller asm.	1
	3,6	29	2110041129	導線	Thread guide	1
		30	8SC44400808A	螺絲	Screw	2
	3,6	31	2100041131	彈簧	Spring (Yellow)	2
		32	2100001132	彈簧	Spring (Blue)	2
	6	33	210A0051136	張力控制組	Tension controller asm.	1
	6	34	2100051134	調節螺帽	Nut	1
	6	35	2100051135	止滑墊圈	Tension disc stopper	1
	6	36	2100051136	彈簧	Spring	1
	6	37	2100051137	螺樁	Stud	1
	6	38	2100051138	導線	Thread guide	1
		39	2110001139	導線	Thread guide	1
	3,6	40	210A0001131	張力控制器	Tension controller asm.	1
	1,3,6	41	210A0001123	張力控制器	Tension controller asm.	1
	1,3,6	42	210A0001124	張力控制器	Tension controller asm.	1
	1,3,6	43	210A0001132	張力控制器	Tension controller asm.	1

1 For SHT7003      6 For SHT7005  
3 For SHT7004

名稱	調節螺帽	調節螺帽	調節螺帽	調節螺帽
物編	2100001121	2100001121A	2100001121B	2100001121C
顏色	紅色	黃色	藍色	綠色



# 12. 下刀與相關零件 LOWER KNIFE COMPONENTS

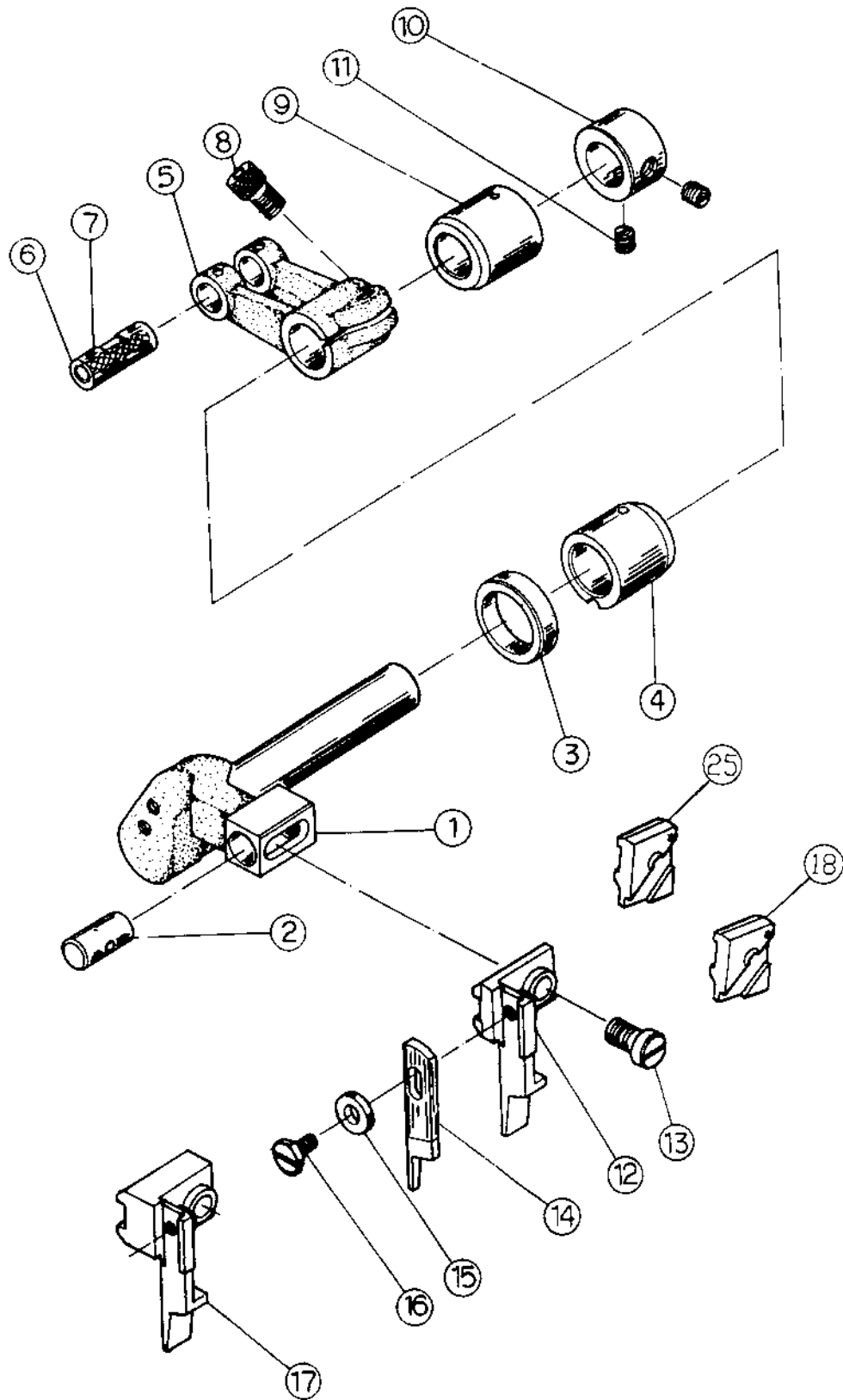


## 12. 下刀與相關零件

### LOWER KNIFE COMPONENTS

專用機型	序號	物料編號	名稱	單位	用量
	Ref.No.	Parts.No.	Description		Amt.Req
	1	8SE44400707A	螺絲	Screw	2
1	2	-----	針板	Throat plate	1
	3	2100001203	緩衝墊	Plug	1
3	4	-----	針板	Throat plate	1
6	5	-----	針板	Throat plate	1
	6	8SC48281208D	螺絲	Screw	1
	7	2100001207	後針板座	Throat plate base	1
	8	2100001208	擋片	Spring stopper	1
	9	8SE36400806A	螺絲	Screw	2
	10	2100001210	彈簧	Spring	1
	11	2100001211	前針板座	Throat plate base	1
	12	8SB44400608K	螺絲	Screw	2
	13	2100001213	防震墊	Rubber plug	2
1,3	14	2100031214	下刀座	Lower knife holder	1
	15	8SK44400907P	螺絲	Screw	1
	16	2100000526	墊圈	Washer	1
1,3	17	2100031217	壓板	Presser plate	1
	18	2100001218	下刀	Lower knife	1
1,3	19	2100031219	導片	Rotating stopper	1
	20	8SC36400806D	螺絲	Screw	2
1,3	21	2100051221	下刀座	Lower knife holder	1
1,3	22	2100051222	壓板	Presser plate	1
1,3	23	2100051223	導片	Rotating stopper	1
	24	90ST0414	定位銷	Holder pin	2
	25	8SC44401008A	螺絲	Screw	1
	26	2100001226	彈簧	Spring	1
	27	8SB44401614G	螺樁	Hinge screw	1
	28	2100001228	彈簧	Lever spring	1
	29	2100001229	板手	Lever	1
	30	2100001230	防震橡膠	Rubber plug	1
	31	2100001231	腳座	Needle guide holder	1
1	32	5210NG03901	導針	Needle guide	1
3	33	5210NG04903	導針	Needle guide	1
6	34	5210NG05905	導針	Needle guide	1
6	35	5210NG05906	導針	Needle guide	1
	36	8SK44401307A	螺絲	Screw	1
	37	8SK36400707G	螺絲	Screw	1
6	38	8SB32440405A	螺絲	Screw	2
6	39	-----	導針	Needle guide	1
6	40	8SB36400506A	螺絲	Screw	1
	41	2100001241	墊圈	Washer	1
19	42	2110001242	下刀台座	Knife holder supper	1
19	43	8MM06402010A	螺絲	Screw	2
19	44	90ST0414	定位銷	Holder pin	1
	1	For SHT7003	6	For SHT7005	
	3	For SHT7004	19	For OEM 大陸專用機	

13. 上刀與相關零件  
UPPER KNIFE COMPONENTS

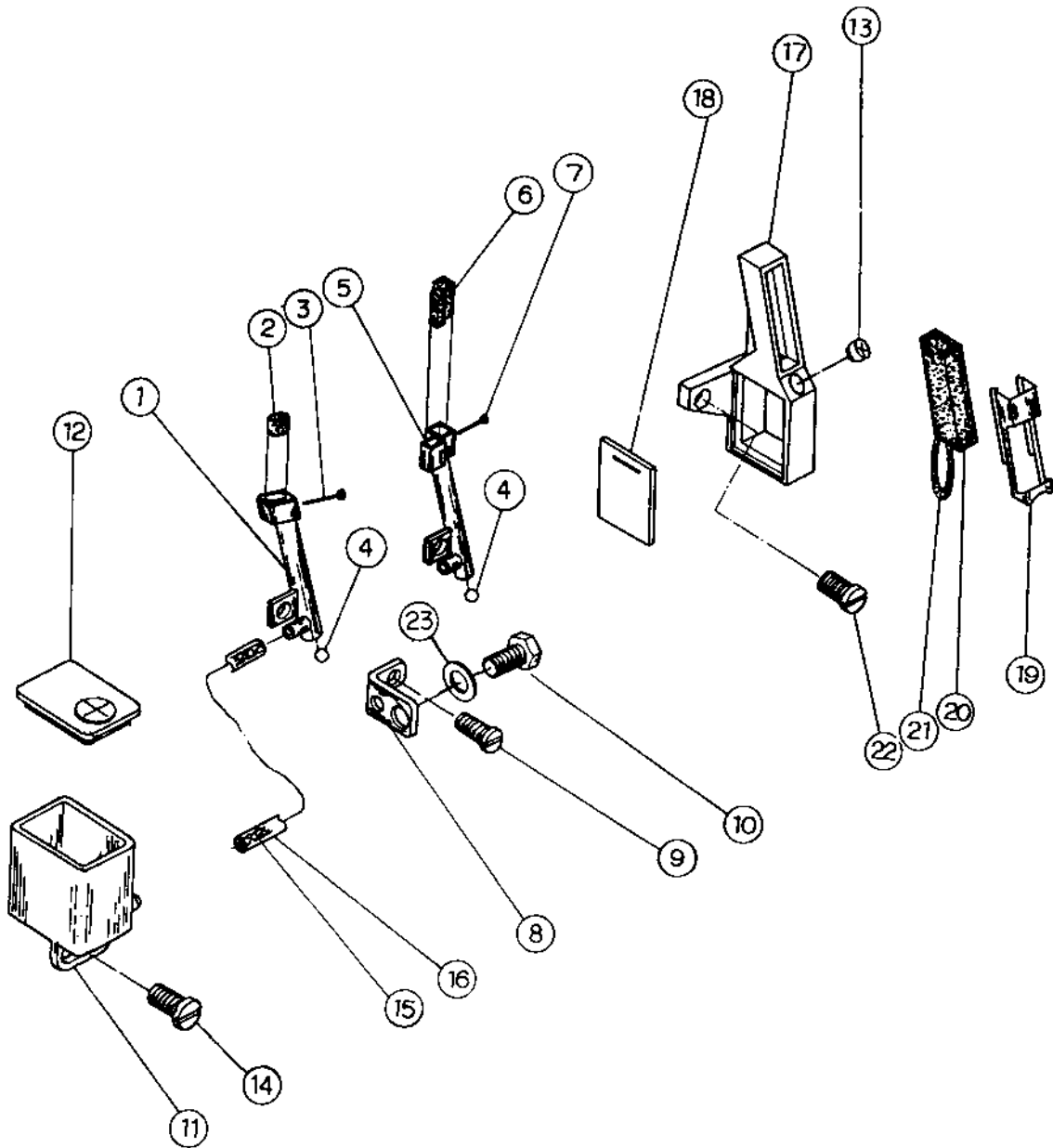


### 13. 上刀與相關零件

#### UPPER KNIFE COMPONENTS

專用機型	序號 Ref.No.	物料編號 Parts.No.	名稱 Description	稱	單位用量 Amt.Req
	1	2100001301	上刀柄	Knife driving arm	1
	2	2100001302	銷	Pin	1
	3	2100001303	油封	Oil seal	1
	4	2100001304	軸襯	Bushing	1
	5	2100001305	曲柄	Crank	1
	6	2100000427	樞銷	Crank pin	1
	7	66807	油線	Oil wick	1
	8	8MM06301210A	螺絲	Screw	1
	9	2100001309	軸襯	Bushing	1
	10	2100001310	定位環	Thrust collar	1
	11	8SG56320500A	螺絲	Screw	2
1,3	12	2100031312	上刀座	Upper knife support	1
	13	8SC44401008A	螺絲	Screw	1
	14	2100001314	上刀	Knife	1
	15	2100000223	墊圈	Washer	1
	16	8SK36400707G	螺絲	Screw	1
6	17	2100051317	上刀台	Upper knife support	1
11	18	2100051318	上刀台	Angle knife holder	1
*	19	4AG0010102	上刀	Angle knife	----
*	20	4AG0010103	墊片	Washer	----
*	21	8SB24560304A	螺絲	Screw	----
*	22	4AG0010105	楔片	Presser plate	----
*	23	4AG0010106	護片	Angle knife cover	----
*	24	8SK44402306G	螺絲	Screw	----
1,3	25	2100031325	上刀台	Angle knife holder	1
	1	For SHT7003	6	For SHT7005	* 參照附件AG001
	3	For SHT7004	11	For SHG7005	

14. 針與縫線冷卻裝置  
NEEDLE COOLING MECHANISM

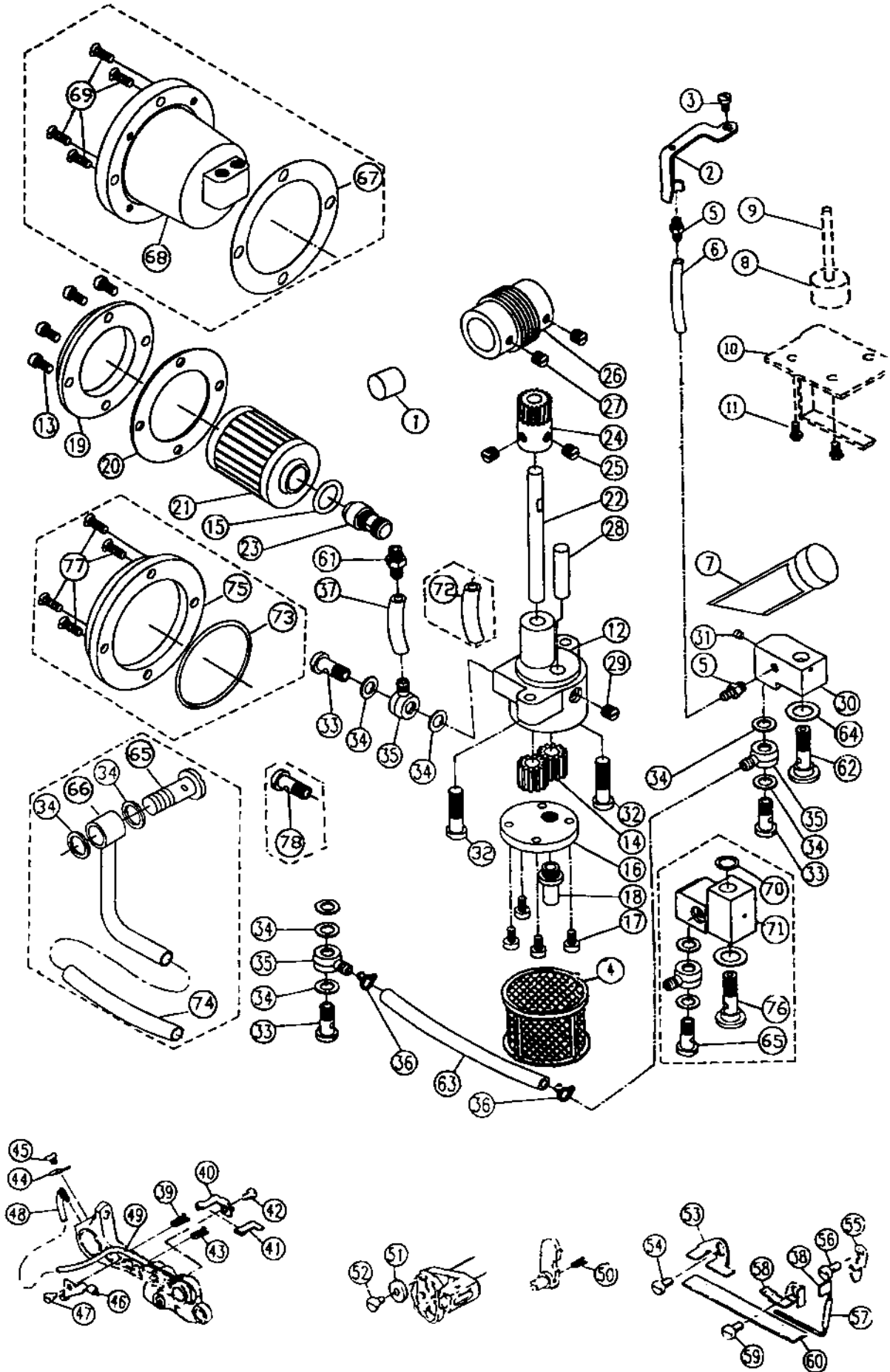


## 14. 針與縫線冷卻裝置

### NEEDLE COOLING MECHANISM

專用機型	序號 Ref.No.	物料編號 Parts.No.	名稱 Description	稱	單位用量 Amt.Req
1,3	1	2100031401	冷卻器	Needle cooler	1
1,3	2	2100031402	羊毛氈	Felt	1
1,3	3	2100031403	固定鋼線	Wire	1
	4	2100001404	孔塞	Plug	1
6	5	2100051405	冷卻器	Needle cooler	1
6	6	2100051406	羊毛氈	Felt	1
6	7	2100051407	固定鋼線	Wire	1
	8	2100001408	腳座	Support	1
	9	8SC36400707D	螺絲	Screw	1
	10	8SK44401307A	螺絲	Screw	1
	11	2100001411	油杯	Oil tank	1
	12	2100001412	油壺蓋	Oil tank cover	1
	13	2100001413	油塞	Plug	1
	14	8SC44401008A	螺絲	Screw	1
	15	66807	油線	Oil wick	1
	16	66792	油管	Oil tube	1
	17	2110001417	蓄油器	Tank	1
	18	2100001418	油面鏡	Oil sign gauge	1
	19	2100001419	彈簧蓋	Cover	1
	20	2100001420	羊毛氈	Sponge	1
	21	66807	油線	Oil wick	1
	22	8SC44400808D	螺絲	Screw	1
	23	2100001423	墊圈	Washer	1
	1	For SHT7003	6	For SHT7005	
	3	For SHT7004			

15. 潤滑系統  
LUBRICATION MECHANISM



# 15. 潤滑系統

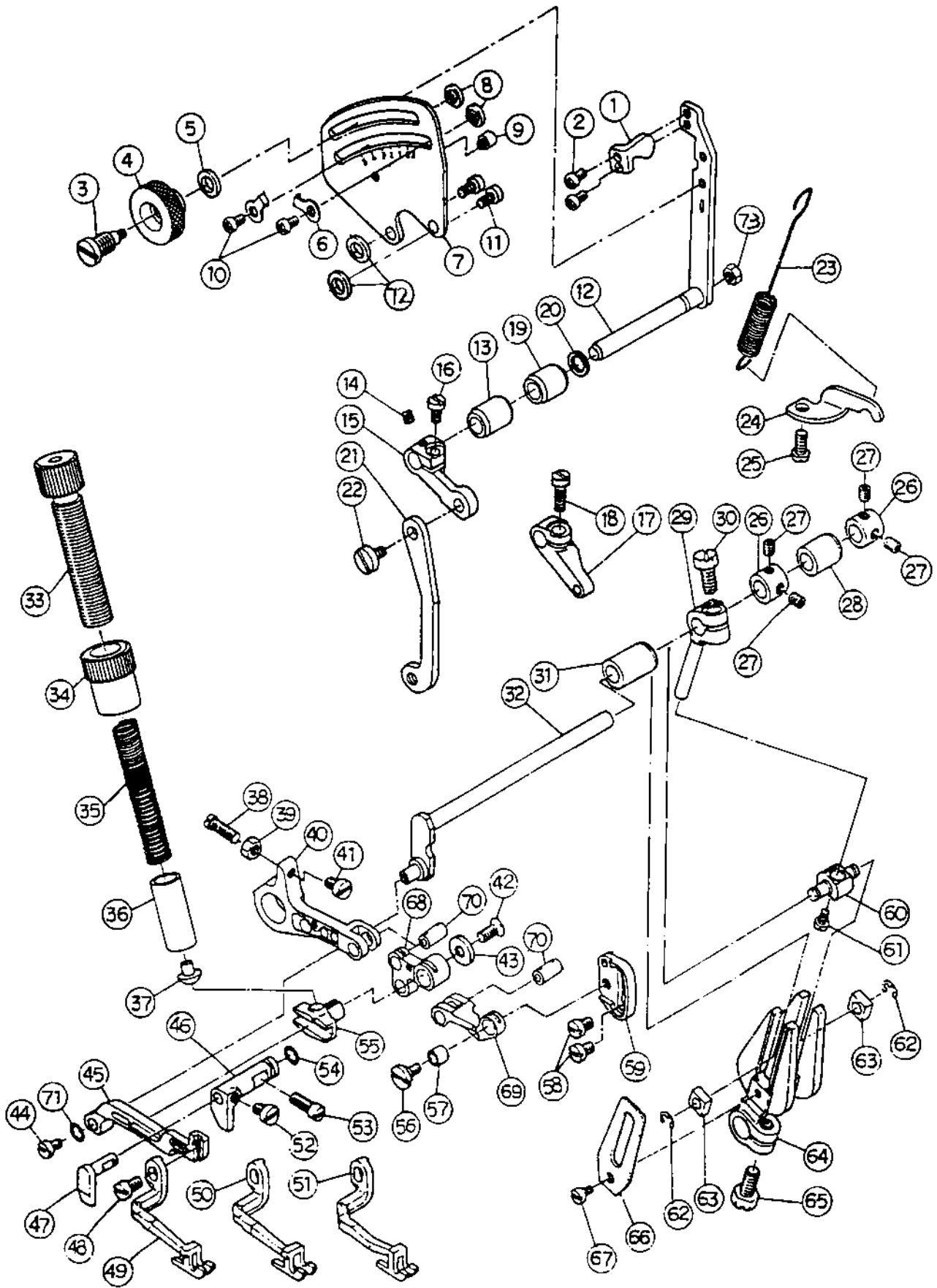
## LUBRICATION MECHANISM

專用機型	序號	物料編號	名	稱	單位用量
	Ref.No.	Parts.No.	Description		Amt.Req
	1	2100001501	防塵泡棉	Bushing	1
	2	2102001502	支架	Oil exhaust holder	1
	3	8SC44401506A	螺絲	Screw	1
	4	2100001538	油網	Oil grid	1
	5	2100001505	油嘴	Oil tube joint	1
	6	66790	油管	Oil tube	1
	7	2110001507	油面鏡	Oil sign gauge	1
	8	-----	-----	-----	-----
	9	-----	-----	-----	-----
	10	-----	-----	-----	-----
	11	-----	-----	-----	-----
	12	2100001512	泵座	Oil pump base	1
	13	8SC44401208D	螺絲	Screw	4
	14	2100001514	齒輪	Gear	2
	15	90OR120	油環	Rubber ring	4
	16	2100001516	蓋板	Cover	1
	17	8SC36400707D	螺絲	Screw	4
	18	2100001518	吸油管	Oil tube	1
	19	2100001519	外蓋	Filter cover	1
	20	2100001520	油封	Filter seat	1
	21	2100001521	紙質過濾器	Cartridge filter	1
	22	2100001522	軸	Shaft	1
	23	2100001523	油嘴	Oil tube joint	1
	24	2100001524	蝸母	Worm gear	1
	25	8SG56320500A	螺絲	Screw	2
	26	2100001526	蝸桿	Worm	1
	27	8SN56320500E	螺絲	Screw	2
	28	2100001528	軸	Shaft	1
	29	8SB44400807A	螺絲	Screw	1
	30	2100001530	分油座	Distribute block	1
	31	2100001531	孔塞	Plug	1
	32	8SB48282009B	螺絲	Screw	2
	33	2100001533	螺樁	Screw	3
	34	2100001534	墊圈	Washer	7
	35	2100001535	油嘴	Oil tube joint	3
	36	2100001536	油管扣環	Snap ring	2
	37	2100001537	油管	Oil tube	1
	38	66807	油線	Oil wick	1
	39	66807	油線	Oil wick	1
	40	2102001540	油線夾	Felt holder	1
	41	2100001541	油管	Oil tube	1
	42	8SC32440406A	螺絲	Screw	1
	43	66807	油線	Oil wick	1
	44	2102001544	壓板	Oil wick holder	1
	45	8SB32440305A	螺絲	Screw	1
	46	2102001546	油線夾	Felt holder	1
	47	8SC32440406A	螺絲	Screw	1
	48	66791	油管	Oil tube	1
	49	66791	油管	Oil tube	1
	50	66807	油線	Oil wick	1
	51	2102001551	羊毛氈	Oil felt	1
	52	8SB36400507G	螺絲	Screw	1
	53	2102001553	油線夾	Felt holder	1
	54	8SK48280907A	螺絲	Screw	1
	55	2102001555	油線夾	Felt holder	1
	56	8SK48280907A	螺絲	Screw	1
	57	66791	油管	Oil tube	1
	58	2102001558	油線夾	Felt holder	1
	59	8SK48280907A	螺絲	Screw	1
	60	2102001560	羊毛氈	Oil felt	1
	61	2100001539	油嘴	Oil tube joint	1
	62	2100001540	螺絲	Screw	1
	63	2100001541	油管	Oil tube	1
	64	2100001542	防漏墊圈	Washer	1
19	65	2120001220	迴路螺絲	Stud	2
19	66	2110001545	油管	Oil tube	1
19	67	2110001546	油封	Oil seal	1
19	68	2110001547	濾心座	Filter seat	1
19	69	8SE44401407A	螺絲	Screw	4
19	70	2100001534	墊圈	Washer	1
19	71	2110001550	分油座	Distribute block	1
19	72	2120001220	油管	Oil tube	1
19	73	2120001215	油環	O-ring	1
19	74	2110001553	油管	Oil tube	1
19	75	2110001554	外蓋	Filter cover	1
19	76	2110001555	螺絲	Screw	1
19	77	8SC44400807D	螺絲	Screw	4
19	78	2100001533	螺絲	Screw	1



16. 上送傳送機構

VARIABLE TOP FEED MECHANISM-COMPONENTS

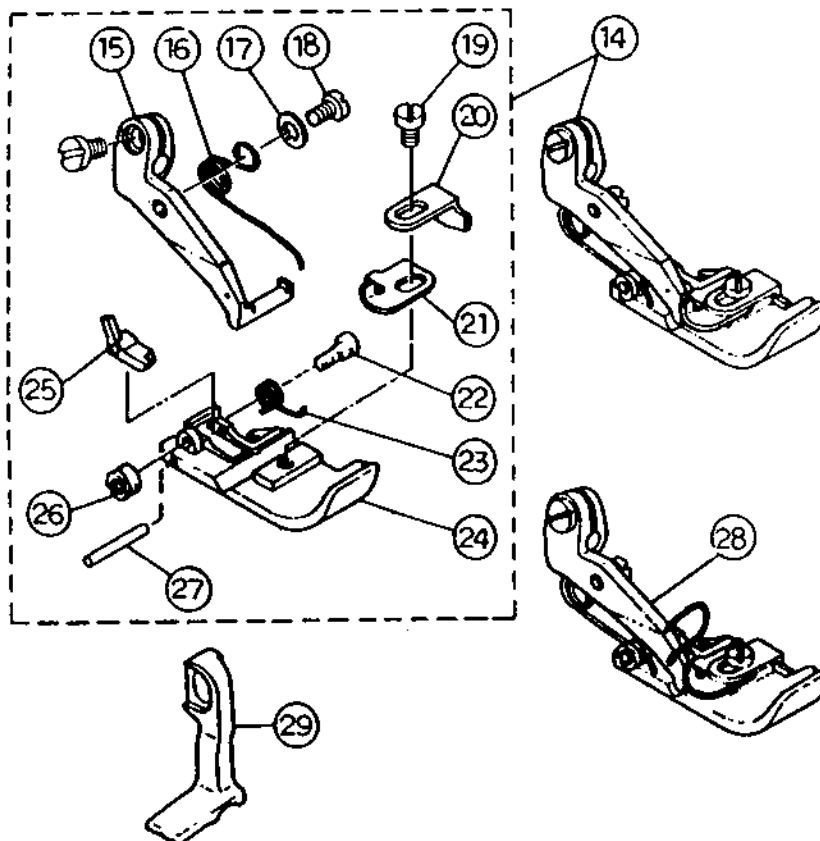
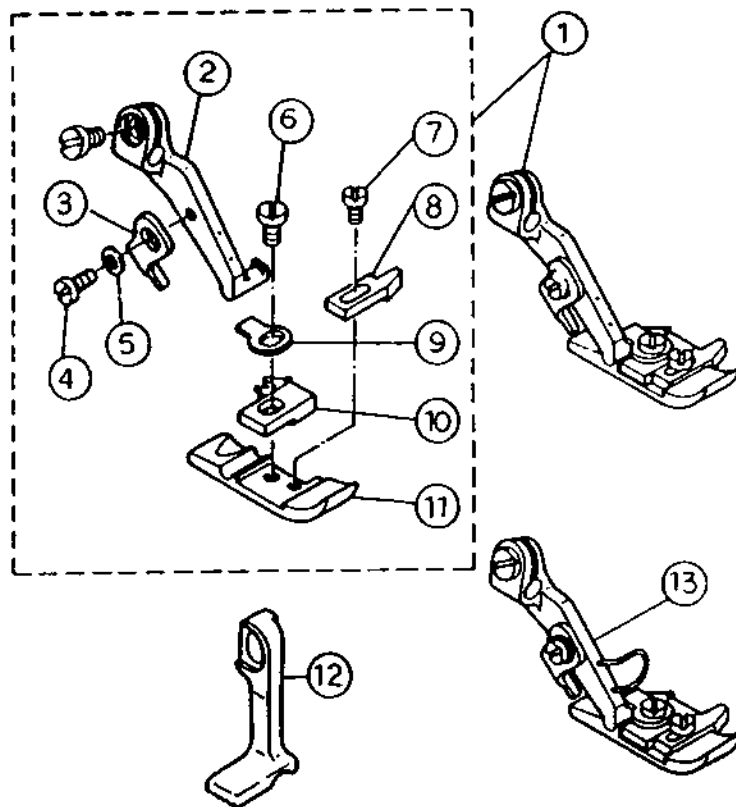


## 16. 上送傳送機構

## VARIABLE TOP FEED MECHANISM-COMPONENTS

序號 Ref.No.	物料編號 Parts.No.	名稱 Description	稱	單位用量 Amt.Req
1	2102001601	板手	Lever	1
2	8SC36400606D	螺絲	Screw	2
3	2100000644	螺椿	Hinge screw	1
4	2100000643	螺帽	Lock nut	1
5	2100000645	墊圈	Washer	1
6	2100000646	墊圈	Washer	2
7	2102001607	差動分度板	Feed graduation	1
8	2100000648	螺帽	Nut	2
9	8SB36400305A	螺絲	Screw	1
10	8SC36400606D	螺絲	Screw	2
11	8SK48280907A	螺絲	Screw	2
12	2102001612A	搬手	Lever	1
13	2102001613	軸襯	Bushing	1
14	8SB44400807A	螺絲	Screw	1
15	2102001615	連桿	Link	1
16	8SC48281208D	螺絲	Screw	1
17	2102001617	懸臂	Spring arm	1
18	8SC48281208D	螺絲	Screw	1
19	2102001619	軸襯	Bushing	1
20	90OR040	油環	Rubber ring	1
21	2102001621	連桿	Link	1
22	8SC48280811F	螺椿	Stud	1
23	2102001623	彈簧	Spring	1
24	2102001624	掛鉤	Lifting hook	1
25	8SK48280907A	螺絲	Screw	1
26	2102001626	定位環	Collar	2
27	8SN44400400E	螺絲	Screw	4
28	2102001628	軸襯	Bushing	1
29	2102001629	導桿	Top feed arm	1
30	8MM05321209A	螺絲	Screw	1
31	2102001631	軸襯	Bushing	1
32	2102001632	曲軸	Needle driving shaft	1
33	2102001633	調整螺椿	Adjusting screw	1
34	2102001634	緊定螺絲	Screw	1
35	2102001635	彈簧	Spring	1
36	2102001636	彈簧座	Spring scat	1
37	2102001637	減震墊	Rubber	1
38	8SB44401305A	螺絲	Screw	1
39	8SA44400306A	螺帽	Nut	1
40	2102001640	擺動臂	Support arm asm	1
41	8SK48280907A	螺絲	Screw	1
42	8SG44400508B	螺絲	Screw	1
43	2102001643	墊圈	Washer	1
44	8SE36400406L	螺絲	Screw	1
45	2102001645	送布齒座	Variable top feed bar	1
46	2102001646	導軌	Feed bar suport	1
47	2102001647	導軌	Feed bar suport	1
48	8SB44400807A	螺絲	Screw	1
49	5210DG-TA32	送布齒組	Top feed dog	1
50	5210DG-TA33	送布齒組	Top feed dog	1
51	5210DG-TC53	送布齒組	Top feed dog	1
52	8SN44400400E	螺絲	Screw	1
53	8SK48280907A	螺絲	Screw	1
54	90OR060	O型油環	Rubber ring	1
55	2102001655	滑軌	Slide block	1
56	8SB44400910E	螺絲	Screw	1
57	2102001657	隔環	Link bush	1
58	8SB44400707K	螺絲	Screw	2
59	2102001659	連結板	Adjusting bese	1
60	2102001660	擺動軸承	Pin	1
61	2100001241	墊圈	Washer	1
62	90ER040	E型扣環	Snap ring	2
63	2102001663	滑塊	Slide block	2
64	2102001664	驅動叉	Top feed arm asm	1
65	8MM06301210A	螺絲	Screw	1
66	2102001666	限位片	Top feed arm support	1
67	8SE36400406L	螺絲	Screw	1
68	2102001668	連桿	Main feed	1
69	2102001669	連桿	Main feed	1
70	2102001670	連結銷	Pin	2
71	2102001671	墊圈	Washer	1
72	2100001241	墊圈	Washer	2
73	8SA60280309A	螺帽	Nut	1

17. 機型變換  
SPECIAL ORDER PARTS



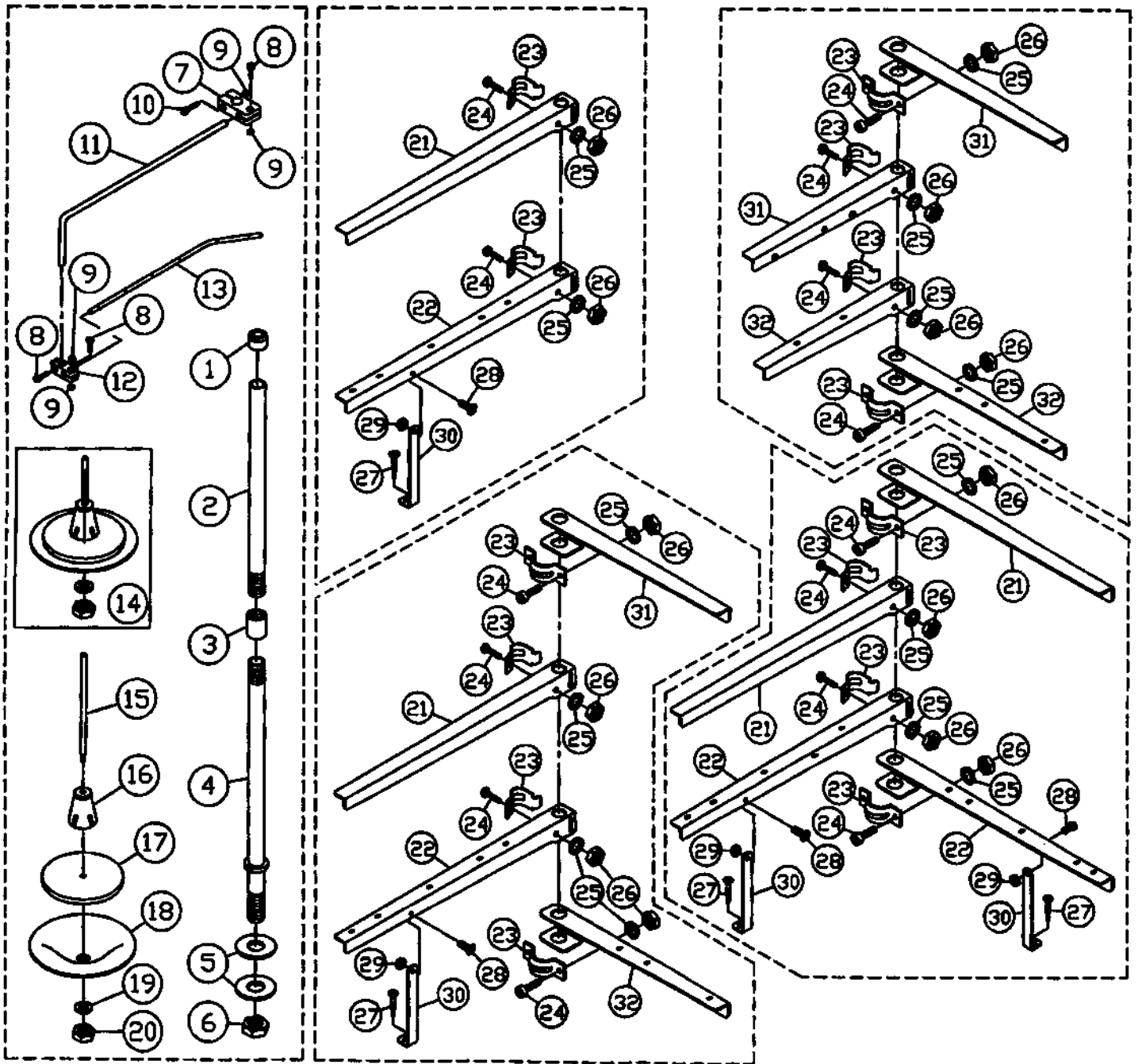
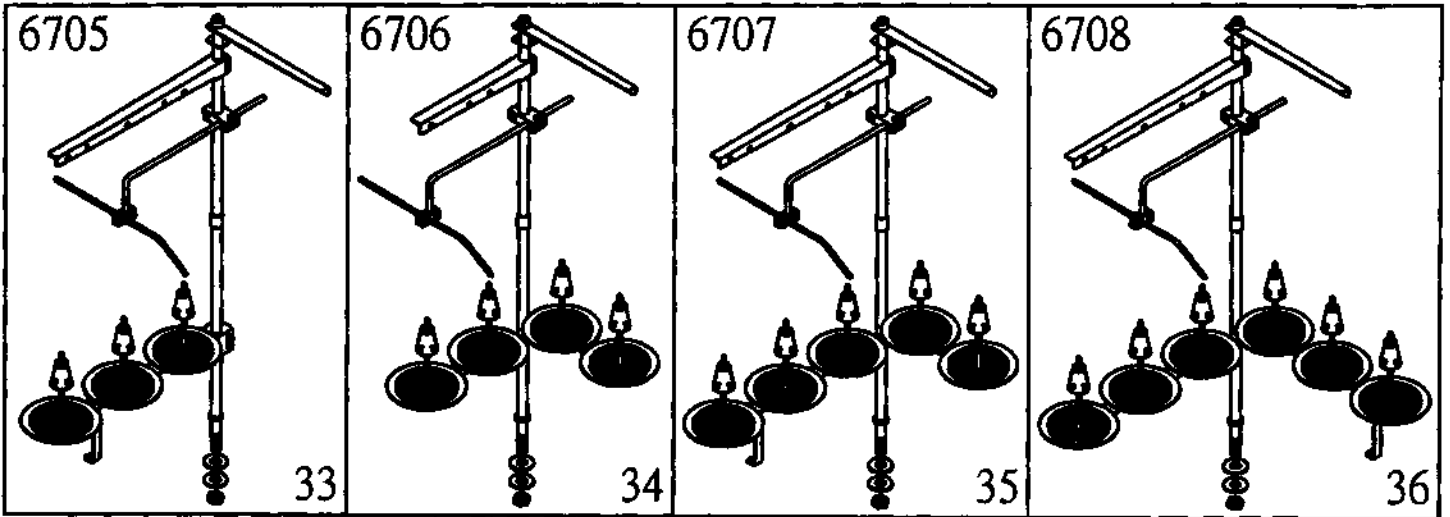
## 17. 機型變換

### SPECIAL ORDER PARTS

專用機型	序號	物料編號	名稱	稱	單位用量
	Ref.No.	Parts.No.	Description		Amt.Req
3	1	PF6R4A330	壓腳組	Presser foot asm.	- - - - -
3	2	PF6R4A33A	壓腳柄	Presser foot hinge	- - - - -
3	3	PF603035	止動片	Stopper	- - - - -
3	4	8SB24560405A	螺絲	Screw	1
3	5	6031024B700	墊圈	Washer	- - - - -
3	6	SE32440506L	螺絲	Screw	- - - - -
3	7	8SB24560405A	螺絲	Screw	1
3	8	PF6303038	定規	Curl guard	- - - - -
3	9	PF603037	定位片	Spring	- - - - -
3	10	PF604A32C	線環舌	Stitch tongue	- - - - -
3	11	PF6R4A32B	壓腳底	Presser foot	- - - - -
3	12	DF6R4373	送布齒	Top feed dog	- - - - -
3	13	PF604A331	壓腳組	Presser foot asm.	- - - - -
6	14	PF604A331	壓腳組	Presser foot asm.	- - - - -
6	15	PF6R4A33A	壓腳柄	Presser foot hinge	- - - - -
6	16	PF6R5D53D	彈簧	Spring	- - - - -
6	18	8SC32440406A	螺絲	Screw	1
6	19	8SC32440406A	螺絲	Screw	1
6	20	PF605D53E	止動片	Stopper	- - - - -
6	21	PF605D53F	定位片	Spring	- - - - -
6	22	PF605D53G	螺樁	Hinge screw	- - - - -
6	23	PF6R5D53H	彈簧	Spring	- - - - -
6	24	PF6R5D53B	壓腳底	Presser foot	- - - - -
6	25	PF6R5D53C	後壓腳	Chain-off presser foot	- - - - -
6	26	PF6R5D53I	螺帽	Nut	- - - - -
6	27	PF6R5D53J	樞銷	Pin	- - - - -
6	28	PF6R5D531	壓腳組	Presser foot asm.	- - - - -
6	29	DF6R5374	上送布齒	Top feed dog	- - - - -
		3	For SHT7004		
		6	For SHT7005		

18. 線架裝置

THREAD STAND COMPONENTS



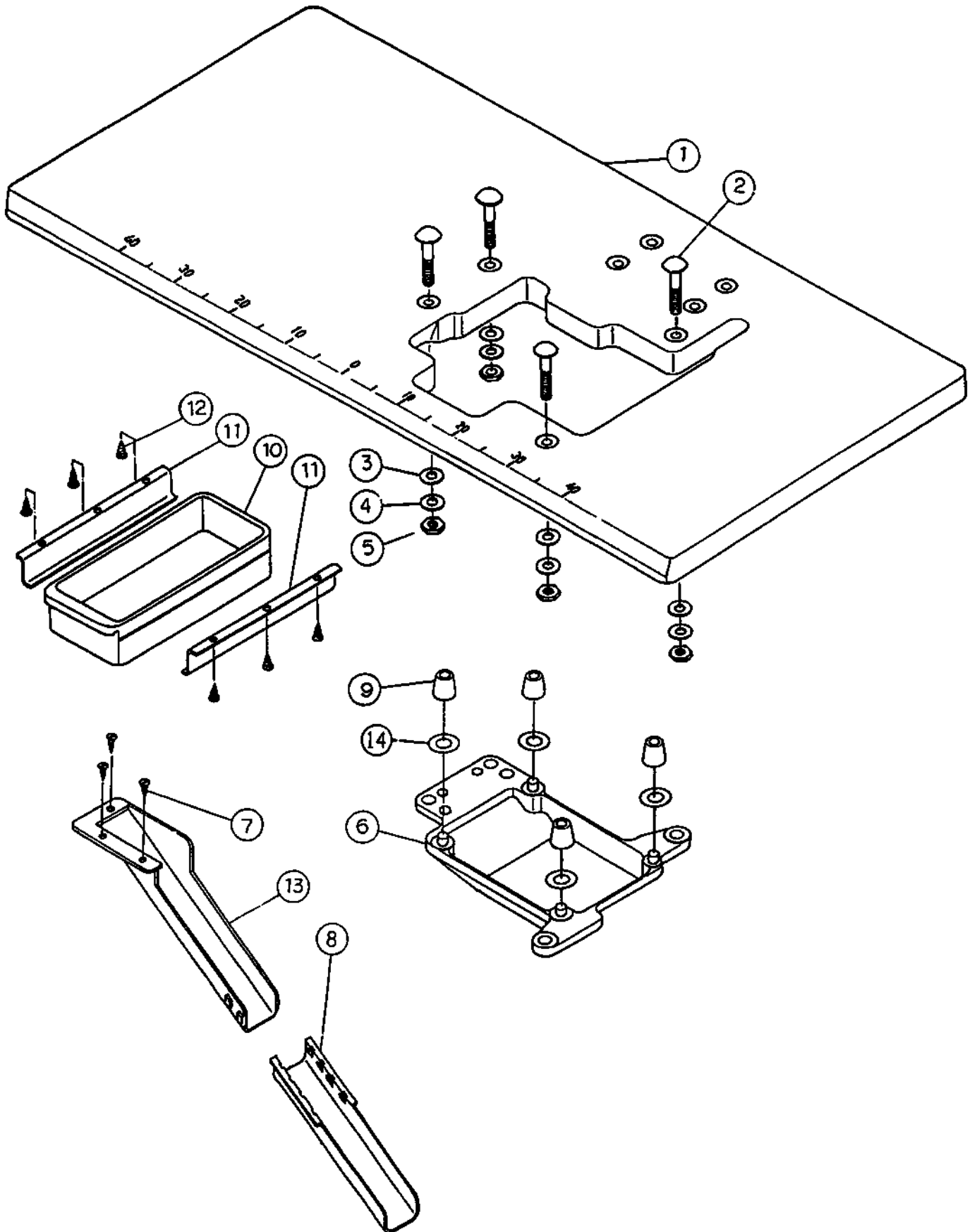
## 18. 線架裝置

## THREAD STAND COMPONENTS

序號 Ref.No.	物料編號 Parts.No.	名稱 Description	單位用量 Amt.Req
1	667051	柱帽 Rod cup	1
2	667052	上柱 Upper thread stand rod	1
3	667053	接頭 Joint	1
4	667054	下柱 Lower thread stand rod	1
5	667055	墊圈 Washer	2
6	667056	螺帽 Nut	1
7	667057	接頭 Bracket	1
8	667058	螺絲 Screw	3
9	667059	螺帽 Nut	4
10	6670510	螺絲 Screw	1
11	6670511	旋臂 Arm	1
12	6670512	接頭 Bracket	1
13	6670513	導線桿 Thread guide	1
14	6670514	線盤組 Spool set for SHT7003	3
	6670514	線盤組 Spool set for SHT7004	4
	6670514	線盤組 Spool set for SHT7005	5
15	6670515	線盤軸 Spool pin	1
16	6670516	定心錐 Spool retaining fig	1
17	6670517	緩衝墊 Seat	1
18	6670518	線盤 Spool tray	1
19	6670519	彈簧墊圈 Spring washer	1
20	6670520	螺帽 Nut	1
21	6670521	導線臂 Thread guide for SHT7003、SHT7005	1
	6670521	導線臂 Thread guide for SHT7006	2
22	6670522	線盤座 Spool set bracket for SHT7003、SHT7005	1
	6670522	線盤座 Spool set bracket	2
23	6670523	夾板 Clamp	2
24	6670524	螺絲 Screw	1
25	6670525	彈簧墊圈 Spring washer	1
26	6670526	螺帽 Nut	1
27	6670527	撐桿 Support rod for SHT7003、SHT7005	1
28	6670528	螺絲 Screw for SHT7003、SHT7005	1
29	6670529	螺帽 Nut for SHT7003、SHT7005	1
30	6670530	木螺絲 Wood screw for SHT7003、SHT7005	1
31	6670531	導線 Thread guide for SHT7004	2
	6670531	導線 Thread guide for SHT7005	1
32	667061	線盤座 Spool set bracket for SHT7004	2
	667072	線盤座 Spool set bracket for SHT7005	1
33	66705	線架組 Thread stand asm. for SHT7003	1
34	66706	線架組 Thread stand asm. for SHT7004	1
35	66707	線架組 Thread stand asm. for SHT7005	1
36	66708	線架組 Thread stand asm. for SHT7006	1

19. 半沉式車板裝置

SEMI-SUNKEN TYPE TABLE COMPONENTS



## 19. 半沉式車板裝置

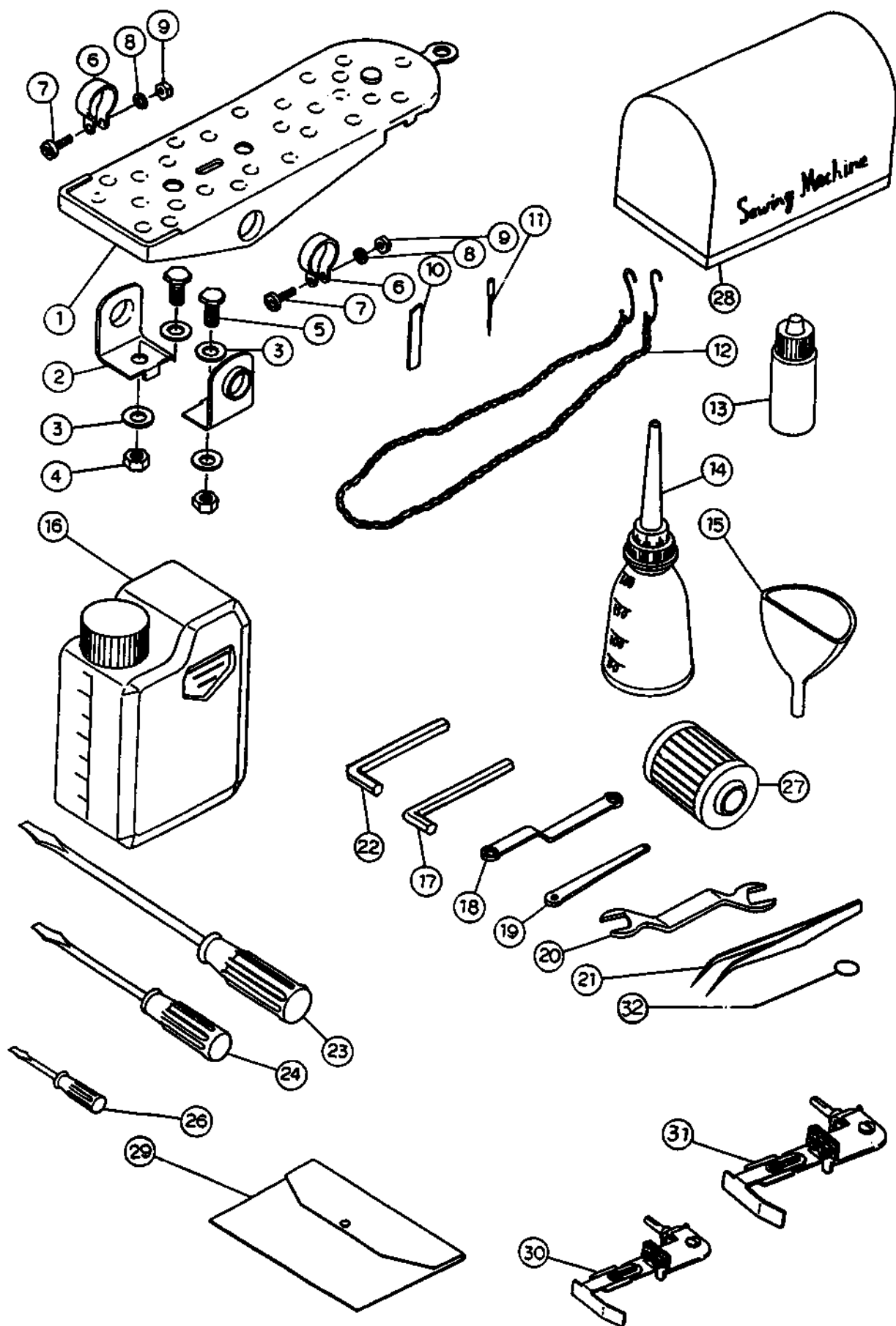
### SEMI-SUNKEN TYPE TABLE COMPONENTS

專用機型	序號 Ref.No.	物料編號 Parts.No.	名 Description	稱	單位用量 Amt.Req
	1	66813-1	車板	Table	1
	2	66956	螺絲	Screw	4
	3	90PW100	墊圈	Washer	4
	4	90PW1001	墊圈	Washer	4
	5	8SA10160714A	螺帽	Nut	4
	6	2100001706	托底板	Frame support plate	1
	7	8WF03131706A	螺絲	Screw	3
	8	66820-2	下導布屑	Waste chute , lower	1
	9	66942	防震墊	Rubber	4
	10	66751	抽屜	Drawer	1
	11	66752	抽屜架	Drawer support	2
	12	8WF05142207A	螺絲	Screw	6
	13	66820-1	上導布屑	Waste chute , upper	1
18	14	2100001714	墊圈	Washer	4

18 僅供歐洲國家使用



20. 工具及附件  
ACCESSORIES

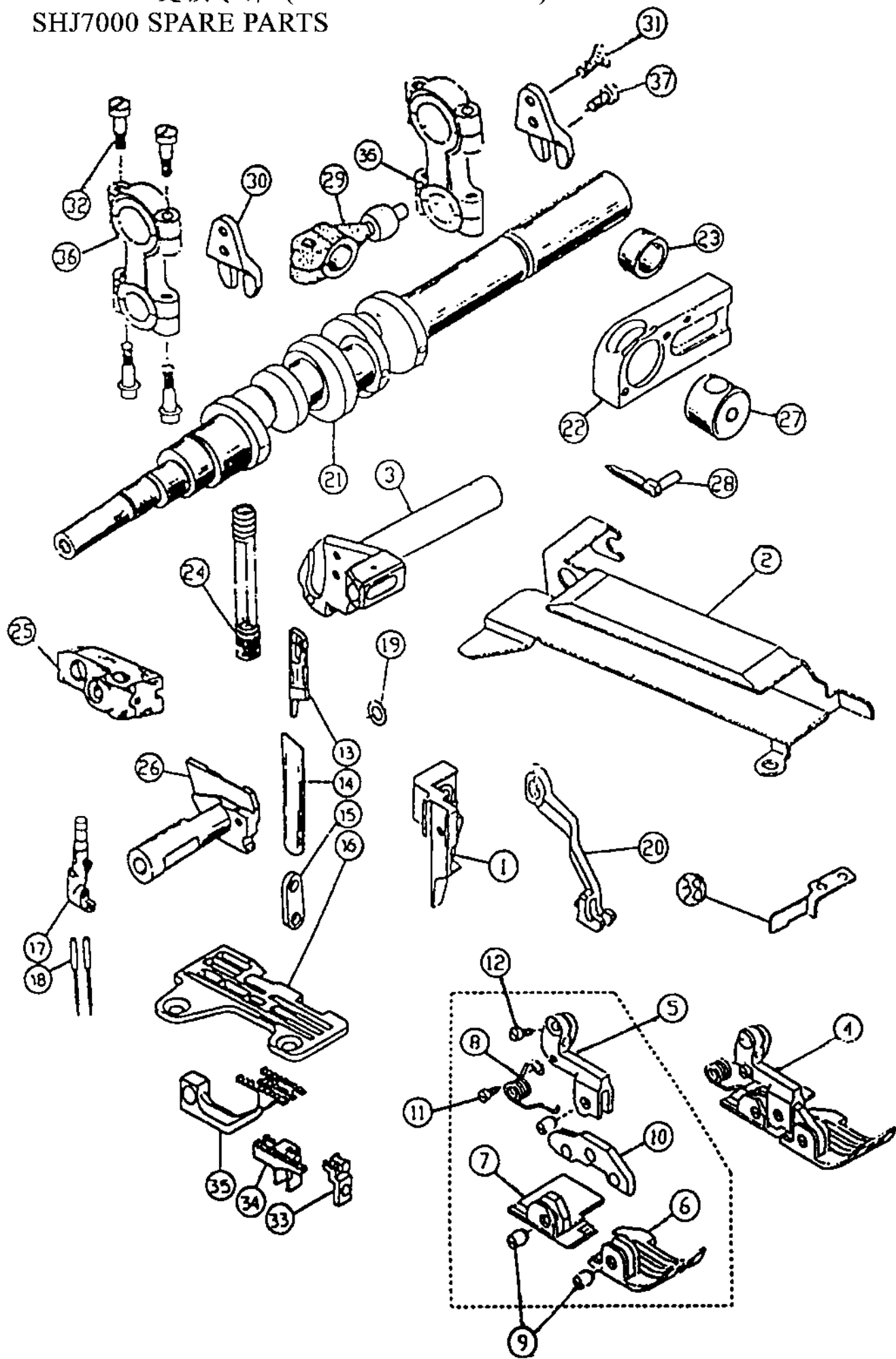


## 20. 工具及附件

## ACCESSORIES

專用機型	序號 Ref.No.	物料編號 Parts.No.	名稱 Description	稱	單位用量 Amt.Req
	1	667001	踏	Pedal	1
	2	667002	樞軸	Bearing	2
	3	667003	墊圈	Washer	4
	4	667004	螺帽	Nut	2
	5	667005	螺絲	Screw	2
	6	667006	扣環	Snap ring	2
	7	667007	螺絲	Screw	2
	8	667008	墊圈	Washer	2
	9	667009	螺帽	Nut	2
	10	2100001218	下刀	Lower knife	1
	11	66732	針	Needle	10
	12	66695	傳動鏈	Chain	1
	13	66720	油壺	Oiler	1
	14	66721	油瓶	Container	1
	15	66722	油漏斗	Oil funnel	1
	16	66715	油罐	Oil container	1
	17	66638	六角扳手	Allen key	1
	18	66655	內六角扳手	Wrench	1
	19	66656	內六角扳手	Wrench	1
	20	66625	開口扳手	Wrench	1
	21	66690	夾子	Tweezers	1
	22	66635	六角扳手	Allen key	1
	23	66665	平口起子	Screw driver	1
	24	66666	平口起子	Screw driver	1
	25	66639	六角扳手	Allen key driver	1
	26	66667	平口起子	Screw driver	1
	27	2100001521	濾油器	Cartridge filter	1
	28	66845	防塵蓋(無字)	Machine cover	1
		66845-1	防塵蓋	Machine cover	1
	29	66831	工具袋	Accessories bag	1
1,3	30	/EG001	導邊裝置	Edge guide asm	1
6	31	/EG002	導邊裝置	Edge guide asm	1
6	32	66840	穿線鋼絲	Threading bar	1
	1	For SHT7003	6	For SHT7005	
	3	For SHT7004			

21. SHJ7000 更換零件 (SHJ7005-D53-H16)  
SHJ7000 SPARE PARTS











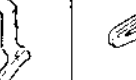



## 21. SHJ7000 更換零件 (SHJ7005-D53-H16)

### SHJ7000 SPARE PARTS

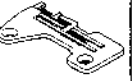



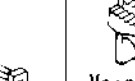
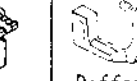







序號 Ref.No.	物料編號 Parts.No.	名 Description	稱	單位用量 Amt.Req
1	2105052101	上刀座	Upper knife support	1
2	2105052102	布鈹側檔	Cloth plate side cover	1
3	2105052103	上刀柄	Knife driving	1
4	5210PF-JD53	壓腳組	Presser foot arm	1
5	5210PF-JD53A	壓腳柄	Presser foot hinge	1
6	5210PF-JD53B	壓腳底	Hinged type presser	1
7	5210PF-JD53C	後壓腳	Rear presser foot	1
8	5210PF-JD53E	彈簧	Spring	1
9	5210PF-JD53F	螺絲	Screw	3
10	5210PF-JD53D	壓腳連桿	Hinged presser foot	1
11	8SB36400505P	螺絲	Screw	1
12	8SB36400606A	螺絲	Screw	1
13	2101052013	上刀	Upper knife	1
14	2101052014	下刀	Lower knife	1
15	2101052015	墊片	Washer	1
16	5210TP-GD63	針板	Throat plate	1
17	5210NC-G048	針留	Needle clamp	1
18	66733-64	針	Needle	2
19	2105052119	墊圈	Washer	1
20	5210DG-JD53	送布齒	Top feed dog	1
21	2101052002	主軸	Crankshaft	1
22	2101052005	軸承座	Guide support	1
23	2101052006	定位圈	Thrust collar	1
24	2101052007	彈簧	Spring	1
25	2101052008	針棒支持臂	Needle bar base	1
26	2101052009	下刀台	Lower knife holder	1
27	2101052011	擺動軸承	Lever guide	1
28	5210UL10550	結線鉤	Upper looper	1
29	2101052003	球軸	Crank	1
30	2101052039	導軌	Guide	2
31	8MF03200606A	螺絲	Screw	2
32	8SC44401207C	螺絲	Screw	8
33	5210AF60876	輔助送布齒	Auxiliary feed dog	1
34	5210FD60283	主送布齒	Main feed dog	1
35	5210DF28403	差動送布齒	Differential feed dog	1
36	2101052036	連桿	Looper driving rod	2
37	8MB03200505A	螺絲	Screw	2
38	2101052043	補強片	Chip guard cover	1

# SHT7000 系列機型主要更換零件


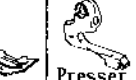



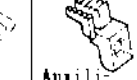
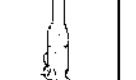




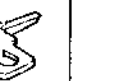

## List of Main Spare Parts for SHT7003

更換零件 機型 Models												
SHT7003-032-M04	TP603032	FPF603032	FPF603032A	FPF603032B	FFD603032	FD60821	DF8040T	AF60871	UL603880	LL603884	6030131 B700	NC603033
SHT7003-053-H04	TP603053	FPF603052	FPF603032A	FPF603032B	FFD603053	FD60822	DF85100	AF60871	UL603880	LL603884	6030132 B700	NC603033

## List of Main Spare Parts for SHT7004

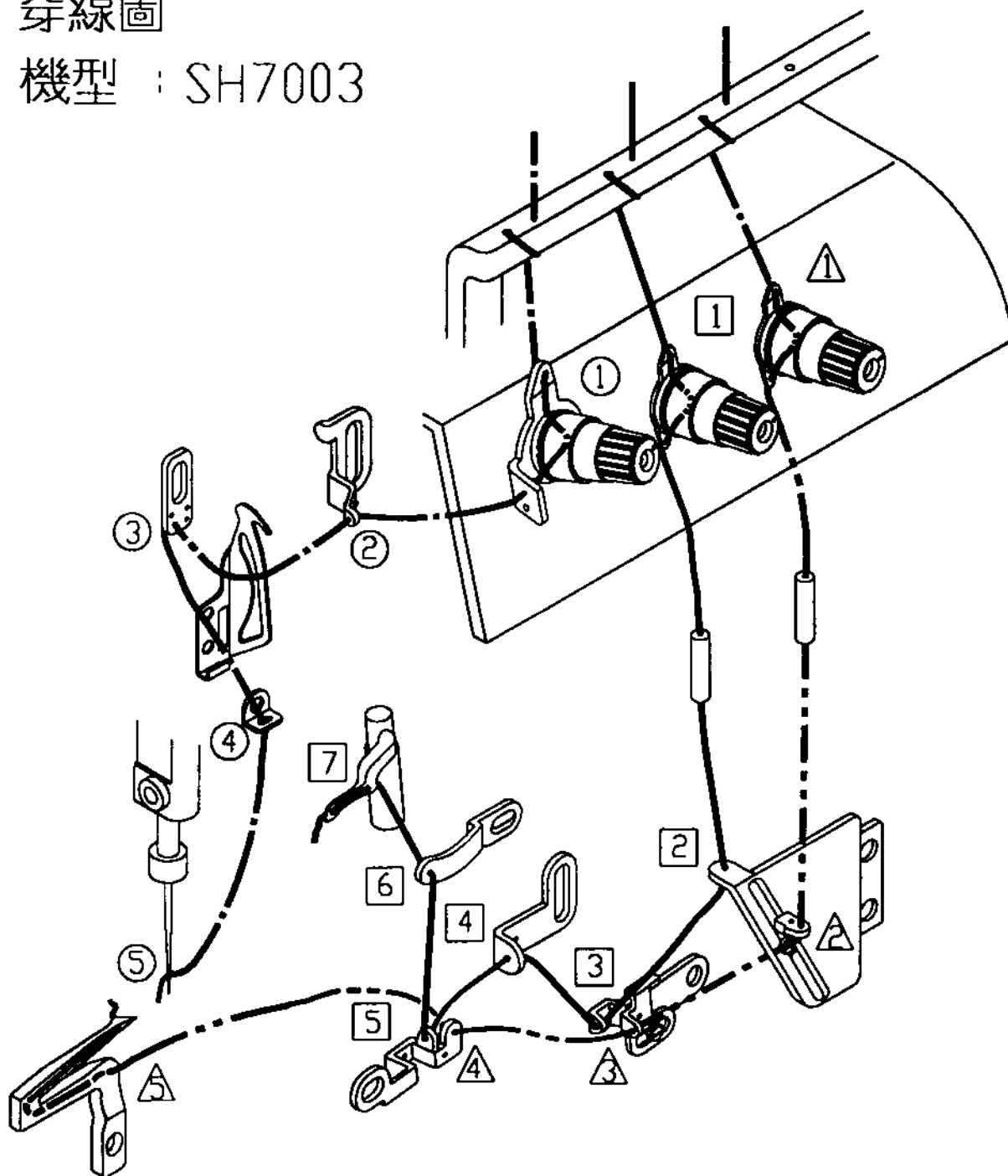
更換零件 機型 Models													
SHT7004-A32-M14	TP604A32	FPF604A32	FPF603032A	FPF604A32B	FFD604A32	FD60971	DF814BE	AF60871	NC604022	UL604883	LL603884	6040132 B700	NG604903
SHT7004-A43-M14	5210TP 04A43	5210PF- TA33	5210PF- TA33A	5210PF- TA33B	5210DG- TA33	5210DG 04A33			5210NC 04022	5210UL 60483	5210LL 60485	211004 0134	5210NG 04903
SHT7004-A53-M14	5210TP 04A53	5210PF- TA33	5210PF- TA33A	5210PF- TA33B	5210DG- TA33	5210DG 04A33			5210NC 04022	5210UL 60483	5210LL 60485	211004 0134	5210NG 04903
SHT7004-A43-M14	TP604A43	FPF694A43	FPF603032A	FPF604A32B	FFD604A33	FD60824A	DF86504A	AF60871	NC604022	UL604882	LL604885	6040132 B700	NG604903

## List of Main Spare Parts for SHT7005

更換零件 機型 Models															
SHT7005-C32-M16	TP605C32	FPF605C32	FPF605A32A	FPF605C32B	FFD605C32	FD60828	DF85209	AF60874	NC605032	UL603880	LL603884	6050133 B700	NG605905	NG605906	NG605907
SHT7005-C53-M16	5210TP 05C53	5210PF- TC53	5210PF- TC53A	5210PF- TC53B	5210DG- TC53	5210DG 05C53			5210NC 05032	5210UL 60380	5210LL 60485	211005 0134	5210NG 05905	5210NG 05906	5210NG 05907
SHT7005-D53-M16	5210TP 05D53	5210PF- TD53	5210PF- TD53A	5210PF- TD53B	5210DG- TCS3	5210DG 5C531			5210NC 05048	5210UL 60380	5210LL 60485	211005 0134	5210NG 05905	5210NG 05906	5210NG 05907
SHT7005-D53-H16	5210TP 05D53	5210PF- TD53	5210PF- TD53A	5210PF- TD53B	5210DG- TC53	5210DG 05D53			5210NC 05048	5210UL 60381	5210LL 60485	211005 0134	5210NG 05905	5210NG 05906	5210NG 05907

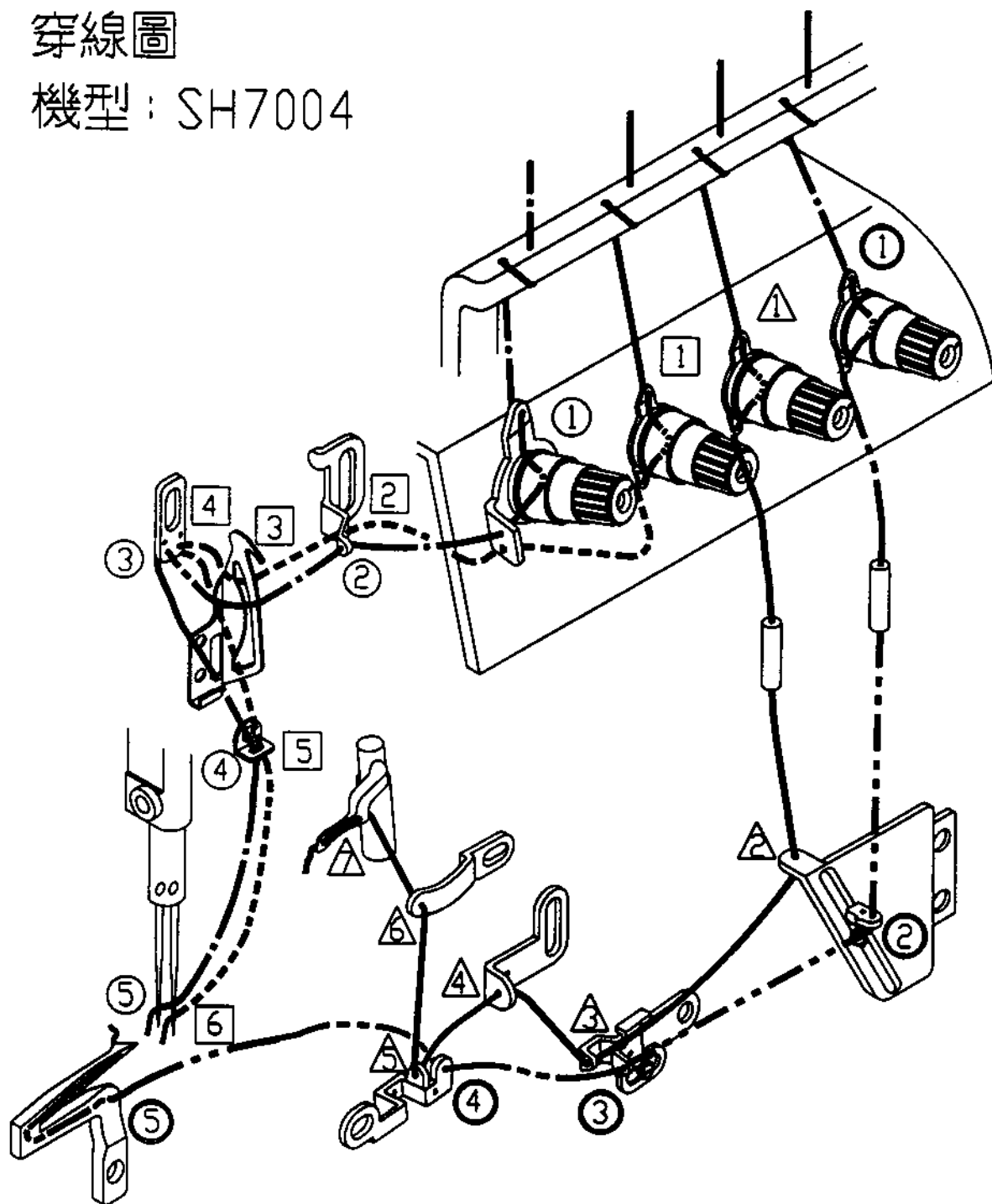
# 穿線圖

機型 : SH7003



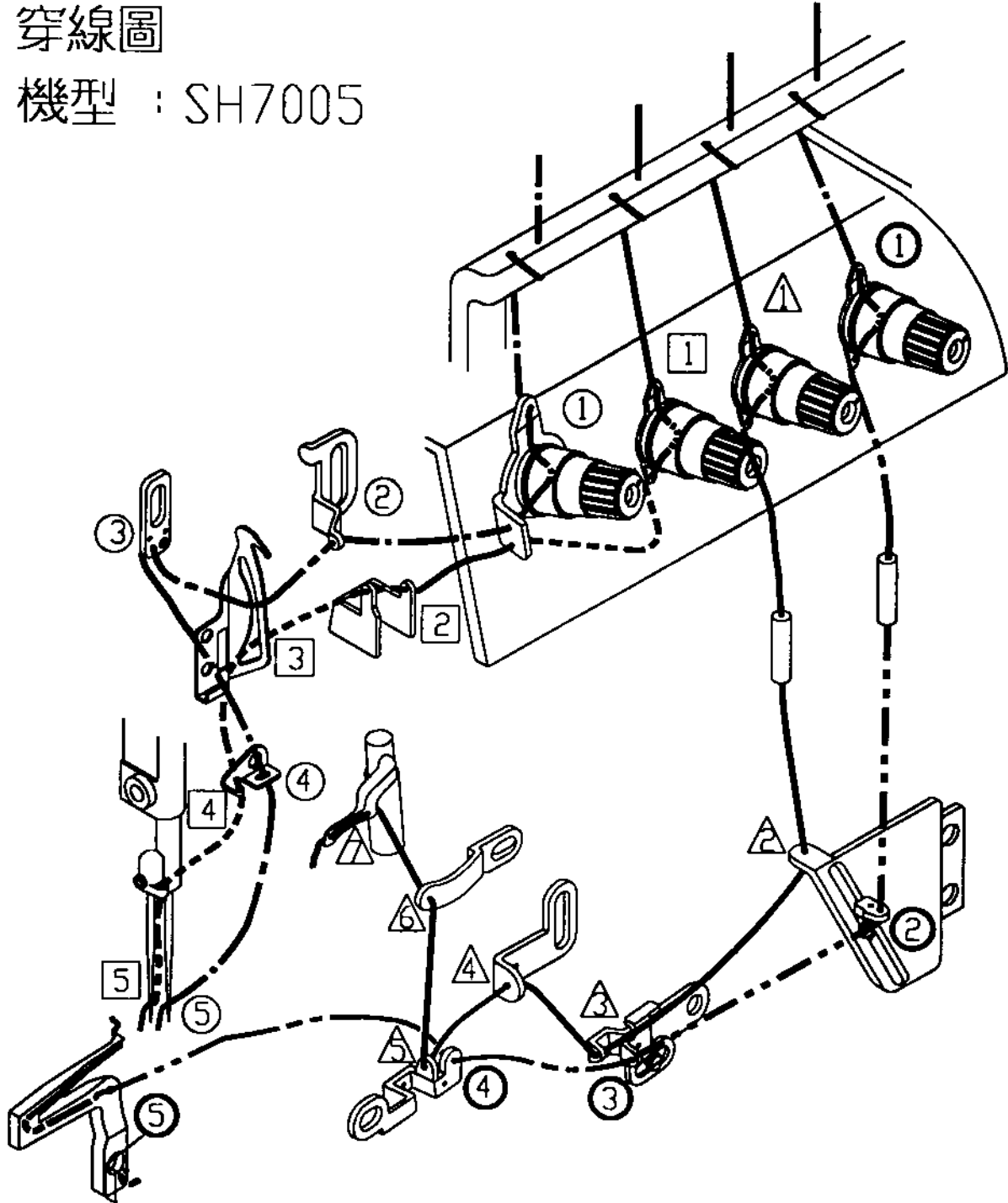
# 穿線圖

機型：SH7004



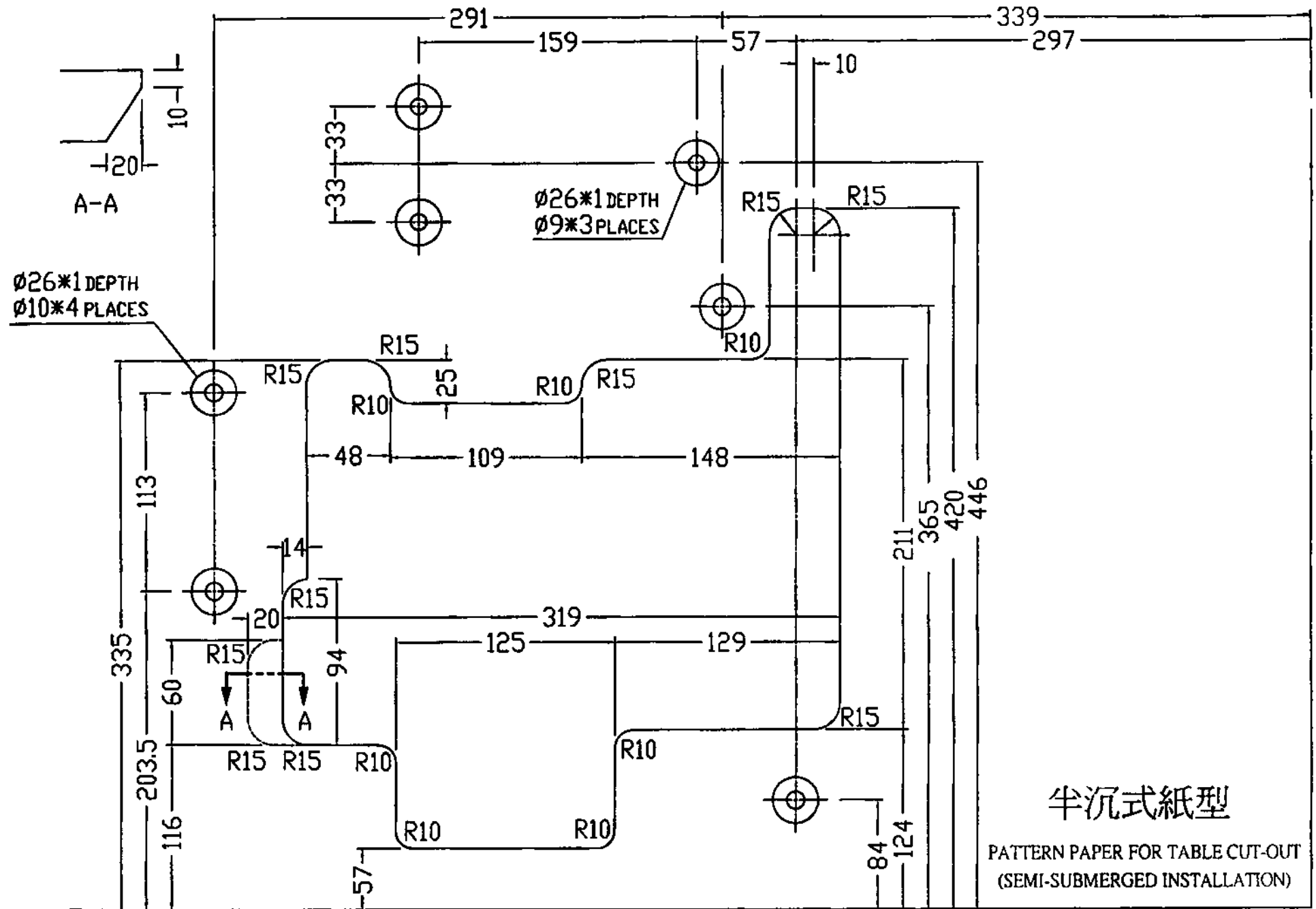
穿線圖

機型：SH7005

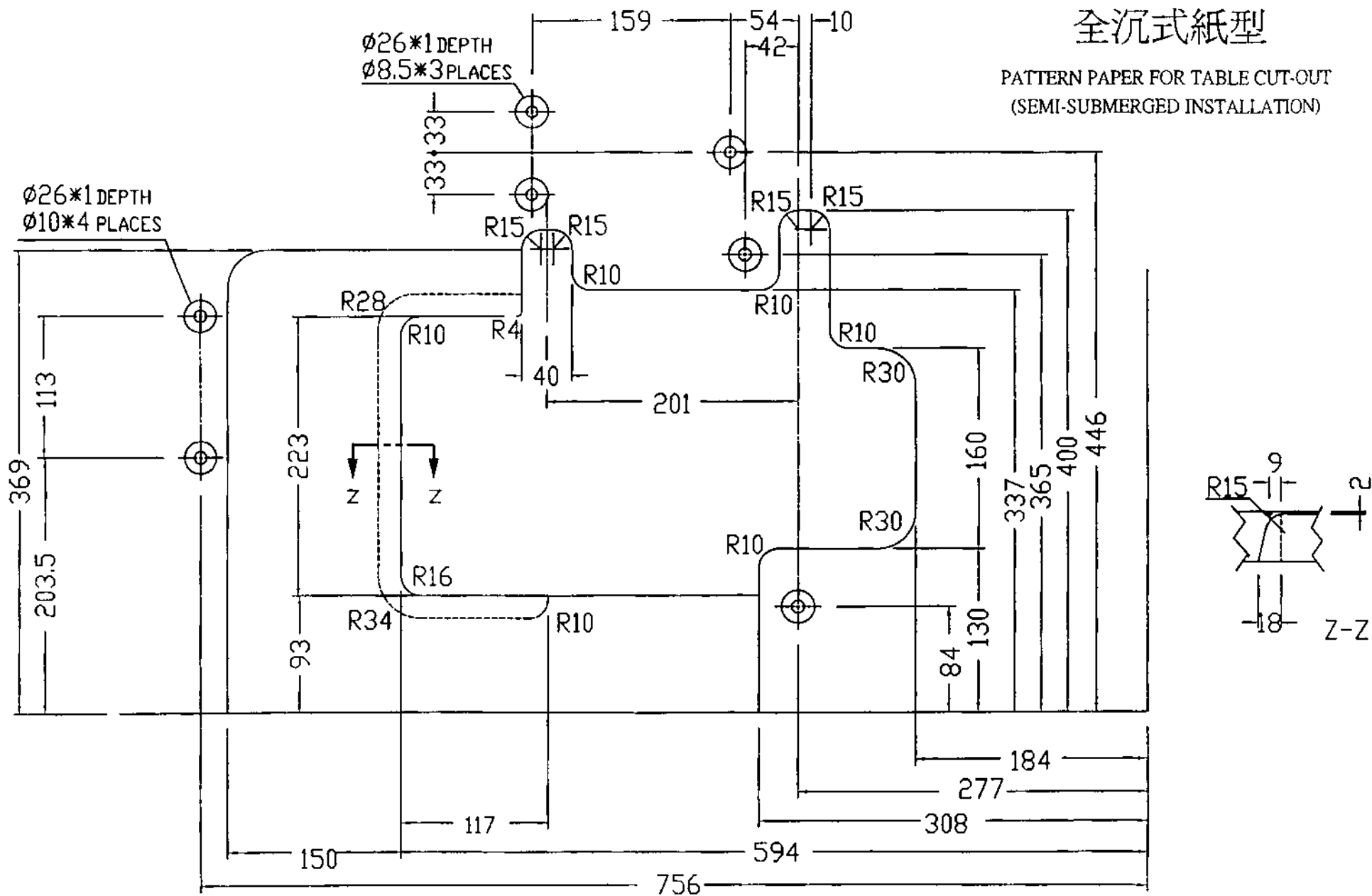




(1) Dimensions for Semi Submerged Mounting



(2) Dimensions for Fully Submerged Mounting



附錄三 APP-3

## 物料編號版 索引表

物料編號	數量	頁號	序號	頁數	物料編號	數量	頁號	序號	頁數
66625	1	20	20	40	667072	1	18		36
66635	1	20	22	40	6670510	1	18	10	36
66638	1	20	17	40	6670511	1	18	11	36
66639	1	20	25	40	6670512	1	18	12	36
66655	1	20	18	40	6670513	1	18	13	36
66656	1	20	19	40	6670514	3	18	14	36
66665	1	20	23	40	6670514	4	18		36
66666	1	20	24	40	6670514	5	18		36
66667	1	20	26	40	6670515	1	18	15	36
66690	1	20	21	40	6670516	1	18	16	36
66695	1	20	12	40	6670517	1	18	17	36
66705	1	18	33	36	6670518	1	18	18	36
66706	1	18	34	36	6670519	1	18	19	36
66707	1	18	35	36	6670520	1	18	20	36
66708	1	18	36	36	6670521	1	18	21	36
66715	1	20	16	40	6670521	2	18		36
66720	1	20	13	40	6670522	1	18	22	36
66721	1	20	14	40	6670522	2	18		36
66722	1	20	15	40	6670523	2	18	23	36
66732	10	20	11	40	6670524	1	18	24	36
66751	1	19	10	38	6670525	1	18	25	36
66752	2	19	11	38	6670526	1	18	26	36
66790	1	15	6	30	6670527	1	18	27	36
66791	1	4	31	8	6670528	1	18	28	36
66791	1	15	48	30	6670529	1	18	29	36
66791	1	15	49	30	6670530	1	18	30	36
66791	1	15	57	30	6670531	2	18	31	36
66792	1	14	16	28	6670531	1	18		36
66806	1	4	32	8					
66807	1	2	17	4					
66807	1	4	2	8	2100000101	1	1	1	2
66807	1	4	9	8	2100000102	1	1	2	2
66807	1	7	37	14	2100000103	1	1	3	2
66807	1	8	15	16	2100000105	1	1	5	2
66807	1	8	20	16	2100000107	1	1	7	2
66807	1	13	7	26	2100000108	3	1	8	2
66807	1	14	15	28	2100000109	1	1	9	2
66807	1	14	21	28	2100000110	1	1	10	2
66807	1	15	38	30	2100000113	1	1	13	2
66807	1	15	39	30	2100000115	1	1	15	2
66807	1	15	43	30	2100000116	1	1	16	2
66807	1	15	50	30	2100000116	1	2	56	4
66831	1	20	29	40	2100000121	1	1	21	2
66840	1	20	32	40	2100000122	1	1	22	2
66845	1	20	28	40	2100000129	1	1	29	2
66942	4	19	9	38	2100000137	1	1	37	2
66956	4	19	2	38	2100000138	1	1	38	2
667001	1	20	1	40	2100000139	1	1	39	2
667002	2	20	2	40	2100000140	1	1	40	2
667003	4	20	3	40	2100000141	1	1	41	2
667004	2	20	4	40	2100000142	1	1	42	2
667005	2	20	5	40	2100000146	1	1	46	2
667006	2	20	6	40	2100000148	1	1	48	2
667007	2	20	7	40	2100000149	1	1	49	2
667008	2	20	8	40					
667009	2	20	9	40					
667051	1	18	1	36	2100000202	1	2	2	4
667052	1	18	2	36	2100000203	1	2	3	4
667053	1	18	3	36	2100000205	1	2	5	4
667054	1	18	4	36	2100000209	1	2	9	4
667055	2	18	5	36	2100000210	1	2	10	4
667056	1	18	6	36	2100000210	1	2	11	4
667057	1	18	7	36	2100000212	2	2	12	4
667058	3	18	8	36	2100000215	1	2	15	4
667059	4	18	9	36	2100000216	1	2	16	4
667061	2	18	32	36	2100000223	1	2	23	4

## 物料編號版 索引表

物料編號	數量	頁號	序號	頁數	物料編號	數量	頁號	序號	頁數
2100000223	2	2	38	4	2100000501	1	5	1	10
2100000223	1	13	15	26	2100000502	1	5	2	10
2100000225	1	2	25	4	2100000503	1	5	3	10
2100000227	2	2	27	4	2100000504	1	5	4	10
2100000229	1	2	29	4	2100000505	1	5	5	10
2100000230	1	2	30	4	2100000506	1	5	6	10
2100000231	1	2	31	4	2100000507	1	5	7	10
2100000232	1	2	32	4	2100000513	1	5	13	10
2100000233	1	2	33	4	2100000515	1	5	15	10
2100000240	4	2	40	4	2100000517	1	5	17	10
2100000244	1	2	44	4	2100000518	1	5	18	10
2100000251	1	2	51	4	2100000519	1	5	19	10
					2100000521	1	5	21	10
					2100000523	1	5	23	10
2100000304	2	3	4	6	2100000524	1	5	24	10
2100000312	1	3	12	6	2100000525	1	5	25	10
2100000315	1	3	15	6	2100000526	2	5	26	10
2100000316	1	3	16	6	2100000526	1	12	16	24
2100000317	1	3	17	6	2100000529	1	5	29	10
2100000318	1	3	18	6	2100000531	1	5	31	10
2100000319	1	3	19	6	2100000532	1	5	32	10
2100000320	1	3	20	6	2100000533	1	5	33	10
2100000322	1	3	22	6	2100000535	1	5	35	10
2100000323	1	3	23	6	2100000537	1	5	37	10
2100000323	1	4	47	8	2100000538	1	5	38	10
2100000327	1	3	27	6	2100000539	1	5	39	10
2100000327	1	4	14	8	2100000540	1	5	40	10
2100000328	2	3	28	6	2100000543	1	5	43	10
2100000329	1	3	29	6	2100000546	1	5	46	10
2100000330	1	3	30	6					
2100000333	1	3	33	6					
2100000334	2	3	34	6	2100000601	1	6	1	12
2100000335	2	3	35	6	2100000603	1	6	3	12
2100000340	1	3	40	6	2100000604	1	6	4	12
					2100000605	1	6	5	12
					2100000607	1	6	7	12
2100000401	1	4	1	8	2100000610	1	6	10	12
2100000403	4	4	3	8	2100000611	1	6	11	12
2100000406	1	4	6	8	2100000612	1	6	12	12
2100000407	1	4	7	8	2100000613	1	6	13	12
2100000408	1	4	8	8	2100000616	1	6	16	12
2100000410	1	4	10	8	2100000617	1	6	17	12
2100000411	1	4	11	8	2100000618	1	6	18	12
2100000412	1	4	12	8	2100000621	1	6	21	12
2100000417	1	4	17	8	2100000622	1	6	22	12
2100000418	1	4	18	8	2100000623	1	6	23	12
2100000419	1	4	19	8	2100000624	1	6	24	12
2100000420	1	4	20	8	2100000625	1	6	25	12
2100000421	1	4	21	8	2100000627	1	6	27	12
2100000422	1	4	22	8	2100000629	1	6	29	12
2100000423	1	4	23	8	2100000630	1	6	30	12
2100000424	1	4	24	8	2100000632	1	6	32	12
2100000426	1	4	26	8	2100000633	1	6	33	12
2100000427	1	4	27	8	2100000634	1	6	34	12
2100000427	1	13	6	26	2100000637	1	6	37	12
2100000429	1	4	29	8	2100000638	1	6	38	12
2100000430	1	4	30	8	2100000639	1	6	39	12
2100000433	1	4	33	8	2100000640	1	6	40	12
2100000436	1	4	36	8	2100000641	1	6	41	12
2100000437	1	4	37	8	2100000643	1	6	43	12
2100000438	1	4	38	8	2100000643	1	16	4	32
2100000451	1	4	51	8	2100000644	1	6	44	12
2100000453	1	4	53	8	2100000644	1	16	3	32
2100000468	1	4	68	8	2100000645	1	6	45	12
					2100000645	1	16	5	32
					2100000646	2	6	46	12

## 物料編號版 索引表

物料編號	數量	頁號	序號	頁數	物料編號	數量	頁號	序號	頁數
2100000646	2	16	6	32	2100001203	1	12	3	24
2100000648	2	6	48	12	2100001207	1	12	7	24
2100000648	2	16	8	32	2100001208	1	12	8	24
2100000649	2	6	49	12	2100001210	1	12	10	24
2100000651	1	6	51	12	2100001211	1	12	11	24
2100000652	1	6	52	12	2100001213	2	12	13	24
2100000653	1	6	53	12	2100001218	1	12	18	24
2100000657	1	6	57	12	2100001218	1	20	10	40
2100000669	2	6	69	12	2100001226	1	12	26	24
					2100001228	1	12	28	24
2100000702	1	7	2	14	2100001229	1	12	29	24
2100000703	3	7	3	14	2100001230	1	12	30	24
2100000704	1	7	4	14	2100001231	1	12	31	24
2100000705	1	7	5	14	2100001241	1	12	41	24
2100000707	1	7	7	14	2100001241	1	16	61	32
2100000708	2	7	8	14	2100001241	1	16	72	32
2100000714	1	7	14	14					
2100000715	1	7	15	14	2100001301	1	13	1	26
2100000720	1	7	20	14	2100001302	1	13	2	26
2100000722	1	7	22	14	2100001303	1	13	3	26
2100000723	1	7	23	14	2100001304	1	13	4	26
2100000724	1	7	24	14	2100001305	1	13	5	26
2100000725	1	7	25	14	2100001309	1	13	9	26
2100000726	1	7	26	14	2100001310	1	13	10	26
2100000728	1	7	28	14	2100001314	1	13	14	26
2100000730	1	7	30	14					
2100000731	1	7	31	14					
2100000734	1	7	34	14	2100001404	1	14	4	28
2100000736	1	7	36	14	2100001408	1	14	8	28
2100000739	1	7	39	14	2100001411	1	14	11	28
2100000740	1	7	40	14	2100001412	1	14	12	28
2100000741	1	7	41	14	2100001413	1	14	13	28
2100000750	1	7	50	14	2100001418	1	14	18	28
2100000756	1	7	56	14	2100001419	1	14	19	28
					2100001420	1	14	20	28
2100000915	1	9	8	18	2100001423	1	14	23	28
2100000916	1	9	9	18					
2100000917	1	9	10	18	2100001501	1	15	1	30
2100000918	1	9	11	18	2100001505	1	15	5	30
2100000919	1	9	3	18	2100001512	1	15	12	30
2100000921	1	9	1	18	2100001514	2	15	14	30
2100000922	1	9	5	18	2100001516	1	15	16	30
2100000923	1	9	6	18	2100001518	1	15	18	30
2100000931	1	9	36	18	2100001519	1	15	19	30
2100000932	1	9	37	18	2100001520	1	15	20	30
2100000933	1	9	40	18	2100001521	1	15	21	30
					2100001521	1	20	27	40
2100001002	1	10	2	20	2100001522	1	15	22	30
2100001004	1	9	12	18	2100001523	1	15	23	30
					2100001524	1	15	24	30
2100001113	1	11	13	22	2100001526	1	15	26	30
2100001118	2	11	18	22	2100001528	1	15	28	30
2100001119	4	11	19	22	2100001530	1	15	30	30
2100001121	7	11	21	22	2100001531	1	15	31	30
2100001122	7	11	22	22	2100001533	3	15	33	30
2100001123	2	11	23	22	2100001533	1	15	78	30
2100001124	1	11	24	22	2100001534	7	15	34	30
2100001125	7	11	25	22	2100001534	1	15	70	30
2100001126	16	11	26	22	2100001535	3	15	35	30
2100001127	8	11	27	22	2100001536	2	15	36	30
2100001132	2	11	32	22	2100001537	1	15	37	30
					2100001537	1	15	37	30
					2100001538	1	15	4	30
					2100001539	1	15	61	30
					2100001540	1	15	62	30

## 物料編號版 索引表

物料編號	數量	頁號	序號	頁數	物料編號	數量	頁號	序號	頁數
2100001541	1	15	41	30	2100051105	1	11	5	22
2100001541	1	15	63	30	2100051106	1	11	6	22
2100001542	1	15	64	30	2100051108	1	11	8	22
					2100051110	1	11	10	22
					2100051112	1	11	12	22
2100001706	1	19	6	38	2100051115	1	11	15	22
2100001714	4	19	14	38	2100051134	1	11	34	22
					2100051135	1	11	35	22
					2100051136	1	11	36	22
2100030214	1	2	14	4	2100051137	1	11	37	22
2100030246	1	2	46	4	2100051138	1	11	38	22
2100030301	1	3	1	6	2100051221	1	12	21	24
2100030339	1	3	39	6	2100051222	1	12	22	24
2100030345	1	3	45	6	2100051223	1	12	23	24
2100030346	1	3	46	6	2100051317	1	13	17	26
2100030454	1	4	54	8	2100051318	1	13	18	26
2100030466	1	4	66	8	2100051405	1	14	5	28
2100030544	1	5	44	10	2100051406	1	14	6	28
2100030701	2	7	1	14	2100051407	1	14	7	28
2100030710	1	7	10	14					
2100030749	1	7	49	14					
2100031214	1	12	14	24	2100130450	1	4	50	8
2100031217	1	12	17	24	2100430545	1	5	45	10
2100031219	1	12	19	24					
2100031312	1	13	12	26					
2100031325	1	13	25	26	2101052002	1	21	21	42
2100031401	1	14	1	28	2101052003	1	21	29	42
2100031402	1	14	2	28	2101052005	1	21	22	42
2100031403	1	14	3	28	2101052006	1	21	23	42
					2101052007	1	21	24	42
2100040257	1	2	57	4	2101052008	1	21	25	42
2100040452	1	4	52	8	2101052009	1	21	26	42
2100040711	1	7	11	14	2101052011	1	21	27	42
2100040752	1	7	52	14	2101052013	1	21	13	42
2100040755	1	7	55	14	2101052014	1	21	14	42
2100041131	2	11	31	22	2101052015	1	21	15	42
					2101052036	2	21	36	42
					2101052039	2	21	30	42
					2101052043	1	21	38	42
2100050245	1	2	45	4					
2100050302	1	3	2	6					
2100050310	1	3	10	6	2102000118	1	1	18	2
2100050311	1	3	11	6	2102000120	1	1	20	2
2100050455	1	4	55	8	2102000435	1	4	35	8
2100050542	1	5	42	10	2102000733	1	7	33	14
2100050709	1	7	9	14	2102000913	1	9	13	18
2100050801	1	8	1	16	2102000917	1	9	17	18
2100050802	1	8	2	16	2102000919	2	9	19	18
2100050804	1	8	4	16	2102000920	1	9	20	18
2100050809	1	8	9	16	2102000921	1	9	21	18
2100050810	1	8	10	16	2102000922	1	9	22	18
2100050812	1	8	12	16	2102000924	1	9	24	18
2100050813	1	8	13	16	2102000925	1	9	25	18
2100050814	1	8	14	16	2102000927	1	9	27	18
2100050818	1	8	18	16	2102000928	1	9	28	18
2100050819	1	8	19	16	2102000931	1	9	31	18
2100050823	1	8	23	16	2102000935	1	9	35	18
2100050824	1	8	24	16	2102000941	1	9	41	18
2100050825	1	8	25	16	2102000942	1	9	42	18
2100050826	1	3	7	6	2102000943	1	9	43	18
2100050826	1	8	26	16	2102000944	1	9	44	18
2100050827	1	8	27	16	2102001031	1	10	31	20
2100050828	1	8	28	16	2102001502	1	15	2	30
2100051101	1	11	1	22	2102001540	1	15	40	30
2100051102	1	11	2	22	2102001544	1	15	44	30
2100051103	1	11	3	22	2102001546	1	15	46	30

## 物料編號版 索引表

物料編號	數量	頁號	序號	頁數	物料編號	數量	頁號	序號	頁數
2102001551	1	15	51	30	2110000548	1	5	48	10
2102001553	1	15	53	30	2110000549	1	5	49	10
2102001555	1	15	55	30					
2102001558	1	15	58	30	2110000735	1	7	35	14
2102001560	1	15	60	30					
2102001601	1	16	1	32	2110001120	7	11	20	22
2102001607	1	16	7	32	2110001139	1	11	39	22
2102001613	1	16	13	32					
2102001615	1	16	15	32	2110001242	1	12	42	24
2102001617	1	16	17	32					
2102001619	1	16	19	32					
2102001621	1	16	21	32	2110001417	1	14	17	28
2102001623	1	16	23	32					
2102001624	1	16	24	32	2110001507	1	15	7	30
2102001626	2	16	26	32	2110001545	1	15	66	30
2102001628	1	16	28	32	2110001546	1	15	67	30
2102001629	1	16	29	32	2110001547	1	15	68	30
2102001631	1	16	31	32	2110001550	1	15	71	30
2102001632	1	16	32	32	2110001553	1	15	74	30
2102001633	1	16	33	32	2110001554	1	15	75	30
2102001634	1	16	34	32	2110001555	1	15	76	30
2102001635	1	16	35	32					
2102001636	1	16	36	32	2110030126	1	1	26	2
2102001637	1	16	37	32	2110030131	1	1	31	2
2102001640	1	16	40	32					
2102001643	1	16	43	32	2110040132	1	1	32	2
2102001645	1	16	45	32	2110041129	1	11	29	22
2102001646	1	16	46	32					
2102001647	1	16	47	32	2110050127	1	1	27	2
2102001655	1	16	55	32	2110050133	1	1	33	2
2102001657	1	16	57	32	2110050134	1	1	34	2
2102001659	1	16	59	32	2110050347	1	3	47	6
2102001660	1	16	60	32					
2102001663	2	16	63	32	2112000201	1	2	1	4
2102001664	1	16	64	32	2112000219	1	2	19	4
2102001666	1	16	66	32	2112001001	1	10	1	20
2102001668	1	16	68	32					
2102001669	1	16	69	32	2120000323	1	3	21	6
2102001670	2	16	70	32					
2102001671	1	16	71	32	2120001215	1	15	73	30
					2120001220	2	15	65	30
2105052101	1	21	1	42	2120001220	1	15	72	30
2105052102	1	21	2	42					
2105052103	1	21	3	42	2200000109	1	2	54	4
2105052119	1	21	19	42					
					2100031009000	1	10	6	20
2110000150	1	1	50	2	2100031009000	1	10	14	20
2110000151	1	1	51	2	2100031009000	1	10	22	20
2110000152	1	1	52	2					
2110000153	1	1	53	2	-----	1	6	59	12
					-----	1	6	60	12
2110000207	1	2	7	4	-----	1	6	61	12
2110000224	1	2	24	4	-----	1	6	62	12
2110000226	1	2	26	4					
2110000253	1	2	53	4					
2110000255	2	2	55	4					
2110000348	1	3	48	6					
2110000460	1	4	60	8					

## 物料編號版 索引表

物料編號	數量	頁號	序號	頁數	物料編號	數量	頁號	序號	頁數
-----	1	6	63	12	5210PF-JD53B	1	21	6	42
-----	1	6	66	12	5210PF-JD53C	1	21	7	42
-----	1	6	67	12	5210PF-JD53D	1	21	10	42
-----	1	6	68	12	5210PF-JD53E	1	21	8	42
-----	1	7	18	14	5210PF-JD53F	3	21	9	42
-----	1	7	44	14	5210PF-T032C	1	10	7	20
-----	1	7	45	14	5210PF-T032C	1	10	15	20
-----	1	7	46	14	5210PF-T032D	1	10	10	20
-----	1	7	47	14	5210PF-T032D	1	10	18	20
-----	1	8	31	16					
-----	1	11	17	22	5210TP-GD63	1	21	16	42
-----	1	11	28	22	5210UL10550	1	21	28	42
-----	1	12	2	24					
-----	1	12	4	24					
-----	1	12	5	24					
-----	1	12	39	24	66478-1	1	2	48	4
/EG001	1	20	30	40	66478-2	1	2	49	4
/EG002	1	20	31	40	66732-11	1	4	40	8
					66732-11	2	4	41	8
2102001612A	1	16	12	32	66732-11	2	4	42	8
					66733-64	2	21	18	42
210A0000533	1	5	50	10	66813-1	1	19	1	38
210A0001123	1	11	41	22	66820-1	1	19	13	38
210A0001124	1	11	42	22	66820-2	1	19	8	38
210A0001131	1	11	40	22	66845-1	1	20		40
210A0001132	1	11	43	22					
210A0051136	1	11	33	22	8MA06400612A	4	2	42	4
4AG0010102	----	13	19	26					
4AG0010103	----	13	20	26	8MB03200505A	2	21	37	42
4AG0010105	----	13	22	26	8MB03200505K	4	3	(38-1)	6
4AG0010106	----	13	23	26	8MB04281507B	4	3	31	6
					8MB04281507B	2	3	36	6
5210AF60876	1	21	33	42	8MB04281507B	2	3	37	6
5210DF28403	1	21	35	42	8MB04281507B	2	3	43	6
					8MB04281507B	2	3	44	6
5210DG-JD53	1	21	20	42					
5210DG-TA32	1	16	49	32	8MF03200606A	2	21	31	42
5210DG-TA33	1	16	50	32					
5210DG-TC53	1	16	51	32	8MG06405000B	4	2	39	4
5210FD60283	1	21	34	42					
					8MM05321209A	1	16	30	32
5210NC03033	1	4	62	8	8MM06301210A	1	3	41	6
5210NC04022	1	4	63	8	8MM06301210A	1	3	42	6
5210NC05032	1	4	64	8	8MM06301210A	1	4	28	8
5210NC-G048	1	21	17	42	8MM06301210A	1	5	20	10
					8MM06301210A	1	5	22	10
5210NG03901	1	12	32	24	8MM06301210A	1	6	14	12
5210NG04903	1	12	33	24	8MM06301210A	1	8	21	16
5210NG05905	1	12	34	24	8MM06301210A	1	9	29	18
5210NG05906	1	12	35	24	8MM06301210A	1	13	8	26
					8MM06301210A	1	16	65	32
5210PF-JD53	1	21	4	42	8MM06402010A	1	4	44	8
5210PF-JD53A	1	21	5	42	8MM06402010A	2	12	43	24
					8MM06402310A	1	4	46	8
					8SA10160714A	4	19	5	38
					8SA44400306A	1	16	39	32
					8SA44400307A	1	9	15	18
					8SA44400307A	1	9	38	18
					8SA44400407A	1	1	11	2



## 物料編號版 索引表

物料編號	數量	頁號	序號	頁數	物料編號	數量	頁號	序號	頁數
8SA48320409B	1	5	27	10	8SB60281507D	1	5	41	10
8SA60280309A	1	9	33	18	8SB60281609A	2	7	43	14
8SA60280309A	1	16	73	32					
8SA64400309B	1	9	26	18					
					8SC32440406A	1	7	27	14
8SB24560304A	----	13	21	26	8SC32440406A	1	10	5	20
8SB24560305A	1	10	3	20	8SC32440406A	1	10	13	20
8SB24560405A	1	4	4	8	8SC32440406A	1	10	21	20
8SB24560405A	1	4	13	8	8SC32440406A	1	15	42	30
8SB24560405A	1	17	4	34	8SC32440406A	1	15	47	30
8SB24560405A	1	17	7	34	8SC32440406A	1	17	18	34
8SB24560604B	1	5	11	10	8SC32440406A	1	17	19	34
8SB32440305A	1	15	45	30	8SC36400606D	2	1	43	2
8SB32440405A	1	4	58	8	8SC36400606D	2	2	28	4
					8SC36400606D	2	6	47	12
8SB32440405A	3	7	19	14	8SC36400606D	1	7	48	14
8SB32440405A	2	12	38	24	8SC36400606D	2	16	2	32
8SB32440505A	1	4	69	8	8SC36400606D	2	16	10	32
8SB32440505K	2	6	19	12	8SC36400706D	2	6	26	12
8SB32440705A	1	6	64	12	8SC36400707D	4	1	35	2
8SB32440705A	1	7	58	14	8SC36400707D	1	2	6	4
8SB36400305A	1	16	9	32	8SC36400707D	2	5	36	10
8SB36400406A	1	4	39	8	8SC36400707D	1	7	42	14
8SB36400406A	1	4	57	8	8SC36400707D	1	14	9	28
8SB36400406A	2	4	61	8	8SC36400806D	4	15	17	30
8SB36400406A	1	7	29	14	8SC36400806D	2	6	35	12
8SB36400505A	2	6	28	12	8SC36400806D	2	11	4	22
8SB36400505A	1	7	13	14	8SC36401006D	2	12	20	24
8SB36400505A	1	8	16	16	8SC36401007D	1	4	16	8
8SB36400505A	1	8	22	16	8SC36401007D	3	1	25	2
8SB36400505M	1	1	36	2	8SC36401007D	5	7	53	14
8SB36400505M	2	9	7	18	8SC36401307D	3	1	17	2
8SB36400505P	1	21	11	42	8SC44400508D	2	4	34	8
8SB36400506A	1	12	40	24	8SC44400508D	1	9	2	18
8SB36400507G	1	15	52	30	8SC44400807D	2	1	14	2
8SB36400606A	1	10	9	20	8SC44400807D	4	15	77	30
8SB36400606A	1	10	17	20	8SC44400808A	2	11	30	22
8SB36400606A	1	10	25	20	8SC44400808D	2	7	21	14
8SB36400606A	1	21	12	42	8SC44400808D	1	11	14	22
8SB36400607A	1	1	23	2	8SC44400808D	1	11	16	22
8SB44400608K	2	1	28	2	8SC44400808D	1	14	22	28
8SB44400608K	2	12	12	24	8SC44400907D	4	1	30	2
8SB44400706A	1	6	8	12	8SC44400907D	1	1	44	2
8SB44400706A	1	6	9	12	8SC44400907D	1	2	18	4
8SB44400706A	1	8	3	16	8SC44400907D	2	7	32	14
8SB44400706A	1	8	8	16	8SC44400907D	1	11	11	22
8SB44400706A	1	8	17	16	8SC44401008A	1	12	25	24
8SB44400706F	1	5	9	10	8SC44401008A	1	13	13	26
8SB44400707K	2	16	58	32	8SC44401008A	1	14	14	28
8SB44400807A	3	3	9	6	8SC44401207C	8	21	32	42
8SB44400807A	1	15	29	30	8SC44401208D	2	1	47	2
8SB44400807A	1	16	14	32	8SC44401208D	3	3	8	6
8SB44400807A	1	16	48	32	8SC44401208D	4	15	13	30
8SB44400910E	1	16	56	32	8SC44401506A	1	15	3	30
8SB44401305A	1	16	38	32	8SC48280811F	1	16	22	32
8SB44401407A	1	1	12	2	8SC48281208D	3	2	4	4
8SB44401614G	1	12	27	24	8SC48281208D	3	3	25	6
8SB44401705J	1	9	30	18	8SC48281208D	2	6	50	12
8SB48280606M	1	6	15	12	8SC48281208D	1	12	6	24
8SB48280808A	2	1	19	2	8SC48281208D	1	16	16	32
8SB48280808A	2	2	47	4	8SC48281208D	1	16	18	32
8SB48281208A	1	4	48	8	8SC60281310D	3	2	8	4
8SB48282009B	2	15	32	30	8SC60281310D	1	11	9	22
8SB48282507B	4	2	21	4	8SC64240916C	2	9	34	18

## 物料編號版 索引表

物料編號	數量	頁號	序號	頁數	物料編號	數量	頁號	序號	頁數
8SE36400406L	1	16	44	32	8SN44400400E	1	1	45	2
8SE36400406L	1	16	67	32	8SN44400400E	2	4	15	8
8SE36400806A	1	5	30	10	8SN44400400E	1	4	59	8
8SE36400806A	2	12	9	24	8SN44400400E	1	5	10	10
8SE36401107A	1	1	24	2	8SN44400400E	2	5	12	10
8SE36401107A	1	6	31	12	8SN44400400E	6	7	54	14
8SE36401107A	1	6	36	12	8SN44400400E	1	8	30	16
8SE44400707A	2	12	1	24	8SN44400400E	1	9	16	18
8SE44401407A	4	15	69	30	8SN44400400E	2	11	7	22
					8SN44400400E	4	16	27	32
					8SN44400400E	1	16	52	32
8SG36400400A	1	4	56	8	8SN44400700E	1	2	50	4
8SG44400508B	1	16	42	32	8SN56320500E	2	15	27	30
8SG56320500A	2	4	25	8	8SN60280800E	1	6	55	12
8SG56320500A	2	5	34	10					
8SG56320500A	2	6	6	12	8WF03130807A	1	2	34	4
8SG56320500A	2	13	11	26	8WF03130807A	1	2	35	4
8SG56320500A	2	15	25	30	8WF03130807A	1	2	36	4
8SG60280700A	2	3	6	6	8WF03130807A	2	2	37	4
8SG60280700A	1	4	43	8	8WF03131706A	3	19	7	38
8SG60288506A	2	3	26	6	8WF05142207A	6	19	12	38
8SH32440300A	5	4	65	8	90BB102608	1	3	5	6
8SH60280700A	1	9	23	18	90BB1026080Z	1	3	3	6
					90BB174012	1	3	13	6
8SK36400707G	1	12	37	24	90BB1740120Z	1	3	14	6
8SK36400707G	1	13	16	26					
8SK44400605D	1	7	38	14	90ER015	1	9	18	18
8SK44400606A	2	3	32	6	90ER030	1	6	42	12
8SK44400606A	1	5	47	10	90ER040	2	16	62	32
8SK44400609E	1	6	56	12	90ER050	1	6	20	12
8SK44400907A	2	6	65	12	90ER070	1	4	49	8
8SK44400907P	1	7	6	14	90ER090	1	6	58	12
8SK44400907P	1	12	15	24					
8SK44401307A	1	9	39	18					
8SK44401307A	1	12	36	24	90NB091213	1	4	5	8
8SK44401307A	1	14	10	28	90NB182210	1	8	6	16
8SK44402306G	----	13	24	26	90NB222610	1	5	16	10
8SK48280907A	1	9	14	18					
8SK48280907A	1	15	54	30	90OR040	1	7	51	14
8SK48280907A	1	15	56	30	90OR040	1	16	20	32
8SK48280907A	1	15	59	30	90OR060	1	6	54	12
8SK48280907A	2	16	11	32	90OR060	1	16	54	32
8SK48280907A	1	16	25	32	90OR070	1	6	2	12
8SK48280907A	1	16	41	32	90OR120	4	15	15	30
8SK48280907A	1	16	53	32					
8SK48321207A	1	8	11	16	90PW100	4	19	3	38
8SK48321207C	1	5	28	10	90PW1001	4	19	4	38
8SK56321309E	1	8	7	16					
8SK60281007F	1	7	16	14	90SP0206	1	7	17	14
8SK60281007F	1	8	29	16	90SP0208	1	8	5	16
8SK60281109B	1	2	13	4	90SP0310	2	5	8	10
8SK60281109B	1	9	32	18	90SP0318	1	9	4	18
8SK60281307F	1	7	12	14	90SP0410	1	2	20	4
8SK60281510B	1	3	24	6					
8SM95281017A	1	2	43	4	90ST0414	2	4	45	8
					90ST0414	2	12	24	24
8SN32440300E	1	1	6	2	90ST0414	1	12	44	24
8SN32440300E	1	5	14	10	90SW070	4	2	41	4
8SN36400400E	1	2	22	4					
8SN44400400E	1	1	4	2					



精機機械廠股份有限公司

CHING CHI MACHINE CO., LTD.

Cat. No. SHT7302-T-02-12

© 2009 CHING CHI MACHINE CO., LTD.

First edition; issued in 2009/02 2.0 版 2009 年 02 月

<http://www.kingtexsewing.com.tw>