

Single Thread, Chainstitch Button Attaching Machine
 高速単糸環縫ボタン付マシン

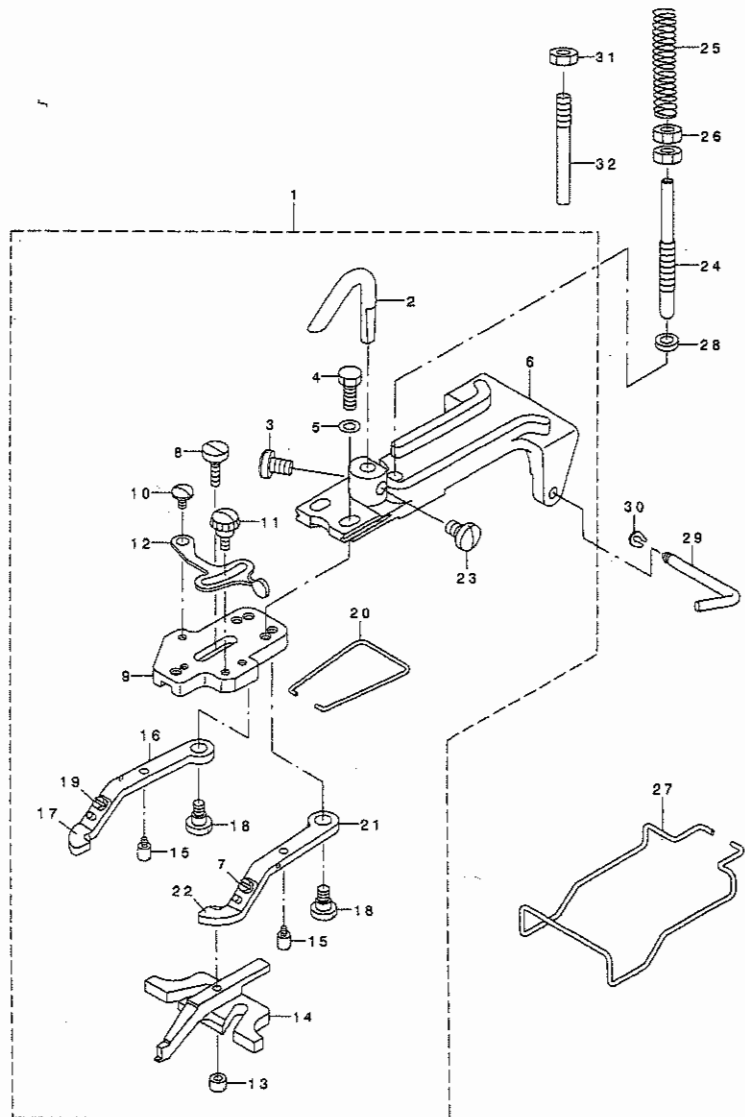
MB-1373
MB-1377

PARTS LIST

40041090
 No.1493-00

1. BUTTON CLAMP MECHANISM COMPONENTS

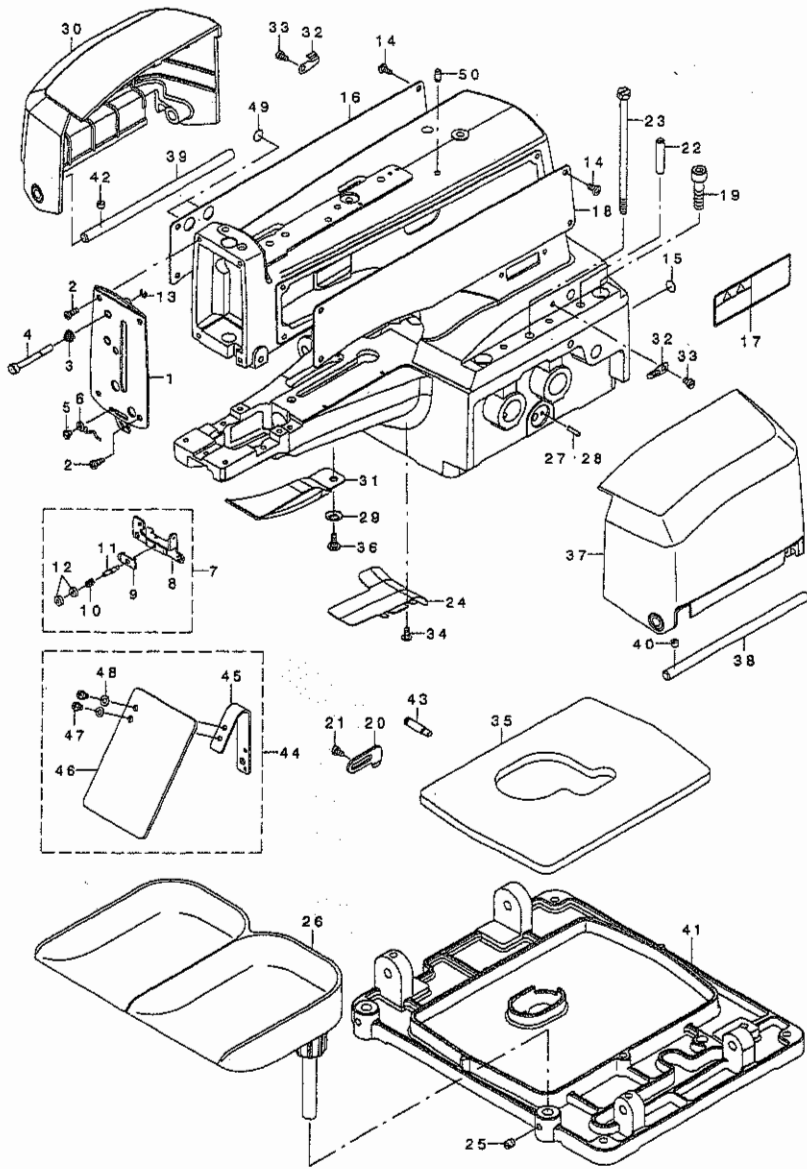
ボタンつまみ関係



| REF. NO. | NOTE | PART NO. | DESCRIPTION | QTY. |
|----------|------|---------------|--------------------------------|------|
| 1 | | 260-25856 | PICK-UP DEVICE ASM. | 1 |
| 2 | | 400-41058 | BUTTON CLAMP LIFTING HOOR | (1) |
| 3 | | SS-7150940-SP | SCREW 15/64-28 L=9 | (1) |
| 4 | | SS-9621413-SP | SCREW 3/16-32 L=13.5 | (2) |
| 5 | | WF-0501016-SD | WASHER 5X10.5X1 | (2) |
| 6 | | 260-25502 | BUTTON CLAMP HOLDER | (1) |
| 7 | | SS-7090410-SP | SCREW 9/64-40 L=3.5 | (1) |
| 8 | | SD-0550301-SP | HINGE SCREW D=5.5 H=3 | (1) |
| 9 | | 260-25403 | JAW LEVER HOLDER | (1) |
| 10 | | SD-0550181-SP | HINGE SCREW D= 5.50 H= 1.8 | (1) |
| 11 | | 260-25509 | CLAMP SCREW A | (1) |
| 12 | | 260-25700 | SNAP FASTENER CLAMP STOP LEVER | (1) |
| 13 | | 260-26005 | NUT | (1) |
| 14 | | 260-25908 | BUTTON CLAMP SLIDE | (1) |
| 15 | | 260-26809 | BUTTON CLAMP STOP PIN | (2) |
| 16 | | 260-25104 | BUTTON CLAMP LEVER JAW (LEFT) | (1) |
| 17 | | 260-26203 | BUTTON HOLDING SPRING, LEFT | (1) |
| 18 | | SD-0640391-TP | HINGE SCREW D= 6.35 H= 3.9 | (2) |
| 19 | | SS-7090410-SP | SCREW 9/64-40 L= 3.5 | (1) |
| 20 | | 260-26708 | BUTTON CLAMP SPRING | (1) |
| 21 | | 260-26302 | BUTTON CLAMP LEVER JAW RIGHT | (1) |
| 22 | | 260-26401 | BUTTON HOLDING SPRING, RIGHT | (1) |
| 23 | | SS-7150940-SP | SCREW 15/64-28 L=9 | (1) |
| 24 | | 400-40638 | BUTTON CLAMP PRESSURE ADJUSTIN | 1 |
| 25 | | 260-27102 | PRESSURE ADJUSTING SPRING | 1 |
| 26 | | NM-6060001-CP | NUT M6 | 2 |
| 27 | | 260-27409 | FINGER GUARD | 1 |
| 28 | | 400-41069 | SPRING_HOLDING_PLATE... | 1 |
| 29 | | 260-25205 | HINGE PIN | 1 |
| 30 | | R2541-372-000 | SNAP RING | 1 |
| 31 | | NM-6060001-CP | NUT M6 | 1 |
| 32 | | 400-40837 | PICK_UP_DEVICE_STOPPER_PIN | 1 |

2.ARM & MISCELLANEOUS COVERS COMPONENTS

アームベッド関係

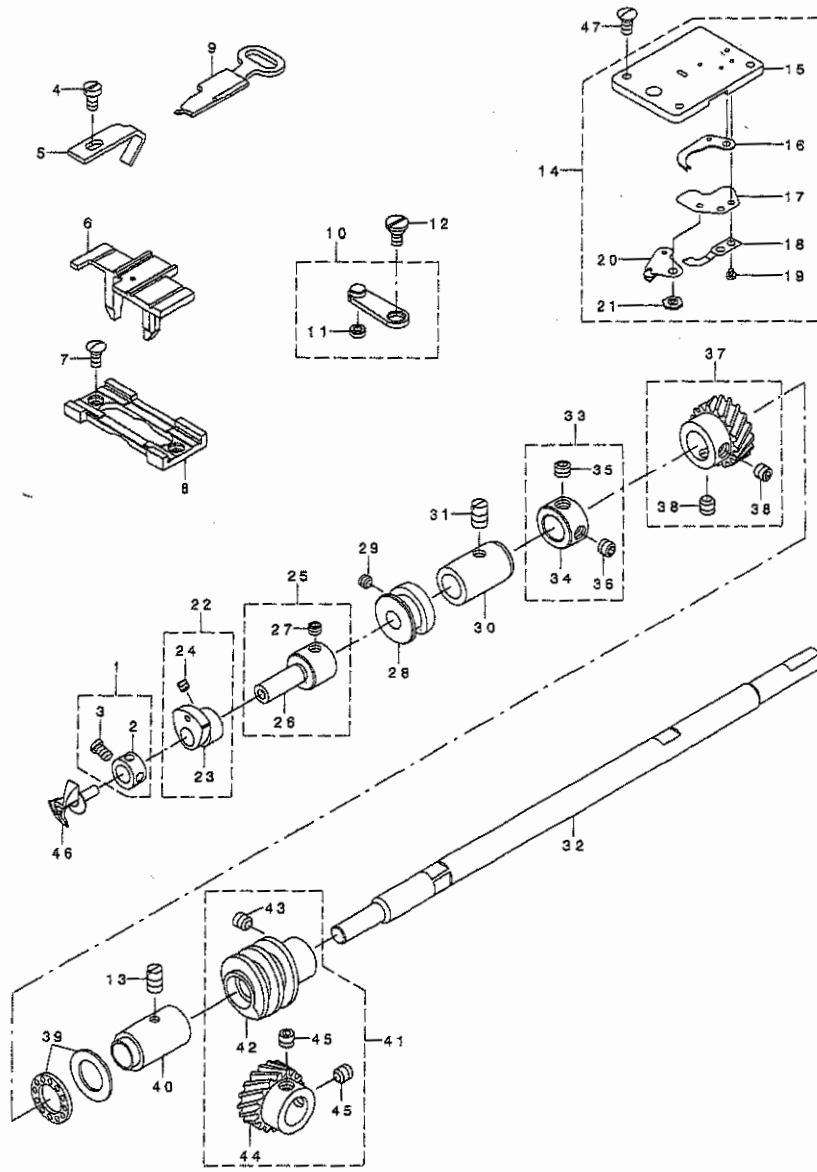


| REF. NO. | NOTE | PART NO. | DESCRIPTION | QTY. |
|----------|------|---------------|------------------------------|------|
| 1 | | 400-38426 | FACE PLATE COMPL. | 1 |
| 2 | | SM-4040855-SP | SCREW | 4 |
| 3 | | 260-21600 | TENSION SPRING | 1 |
| 4 | | 260-32003 | NIPPER RELEASING STUD | 1 |
| 5 | | SM-6040650-TP | SCREW | 1 |
| 6 | | 260-31203 | THREAD GUIDE NO.4 | 1 |
| 7 | | 260-31351 | THREAD TENSION NO.3 ASM. | 1 |
| 8 | | 260-31302 | TENSION ADJUSTING BASE NO.3 | (1) |
| 9 | | 260-31401 | THREAD PRESSER PLATE | (1) |
| 10 | | 260-31500 | TENSION SPRING B | (1) |
| 11 | | 260-31609 | THREAD TENSION STUD | (1) |
| 12 | | 260-31708 | THREAD TENSION NUT | (2) |
| 13 | | RE-0520000-K0 | E-RING 3.2 | 1 |
| 14 | | SM-4040855-SP | SCREW | 8 |
| 15 | | TA-2050406-RO | RUBBER PLUG | 1 |
| 16 | | 400-40931 | SIDE COVER RIGHT | 1 |
| 17 | | CM-3015000-01 | SAFETY LABEL | 1 |
| 18 | | 400-40932 | SIDE COVER LEFT | 1 |
| 19 | | SM-6083042-CH | SCREW M8 L=30 | 4 |
| 20 | | 260-33704 | STOPPER | 1 |
| 21 | | SM-6050600-SP | SCREW M6 L=8 | 2 |
| 22 | | 260-11205 | GUIDE PIN | 2 |
| 23 | | 400-38483 | SET SCREW | 1 |
| 24 | | 400-38431 | BED OIL SHIELD | 1 |
| 25 | | SM-8060610-TP | SCREW | 1 |
| 26 | | 400-41022 | BUTTON TRAY ASM. | 1 |
| 27 | #01 | 260-22608 | CAM INDICATING PIN A | 2 |
| 28 | #01 | 260-22707 | CAM INDICATING PIN B | 2 |
| 29 | | WS-0650389-KP | SPRING WASHER 6.5X14.0X1.7 | 1 |
| 30 | | 400-38425 | SIDE COVER LEFT | 1 |
| 31 | | 400-38430 | LOOPER COVER | 1 |
| 32 | | 400-41067 | SIDE COVER SPRING | 2 |
| 33 | | SM-6040600-SP | SCREW M4 L=6 | 2 |
| 34 | | SM-4040855-SP | SCREW | 2 |
| 35 | | 400-38173 | OIL DRIP FELT | 1 |
| 36 | | SD-0600277-TP | SHOULDER SCREW D=6 H=2.7 | 1 |
| 37 | | 400-38424 | SIDE COVER RIGHT | 1 |
| 38 | | 400-40936 | SIDE COVER HINGE SHAFT RIGHT | 2 |
| 39 | | 400-40935 | SIDE COVER HINGE SHAFT LEFT | 1 |
| 40 | | SM-8060512-TP | SCREW M6 L=6 | 1 |
| 41 | | 400-38446 | MACHINE SUB BASE | 1 |
| 42 | | SM-8060612-TP | SCREW M6 L=6 | 1 |
| 43 | | 400-38471 | SUSPENSION SCREW B | 1 |
| 44 | | 400-54729 | ASSY SAFETY PLATE | 1 |
| 45 | | 400-54730 | SAFETY PLATE INSTALLING BASE | (1) |
| 46 | | 260-37200 | SAFETY PLATE | (1) |
| 47 | | SM-4040655-SP | SCREW M4 L=6 | (2) |
| 48 | | WP-0430800-SD | WASHER M4 | (2) |
| 49 | | TA-1250406-RO | RUBBER PLUG D=12.5 L=4 | 2 |
| 50 | | PS-0600102-KH | SPRING PIN 5.0X10 | 1 |

NOTE (注記) #01... SELECTIVE PARTS 選択部品

3. LOOPER SHAFT MECHANISM COMPONENTS

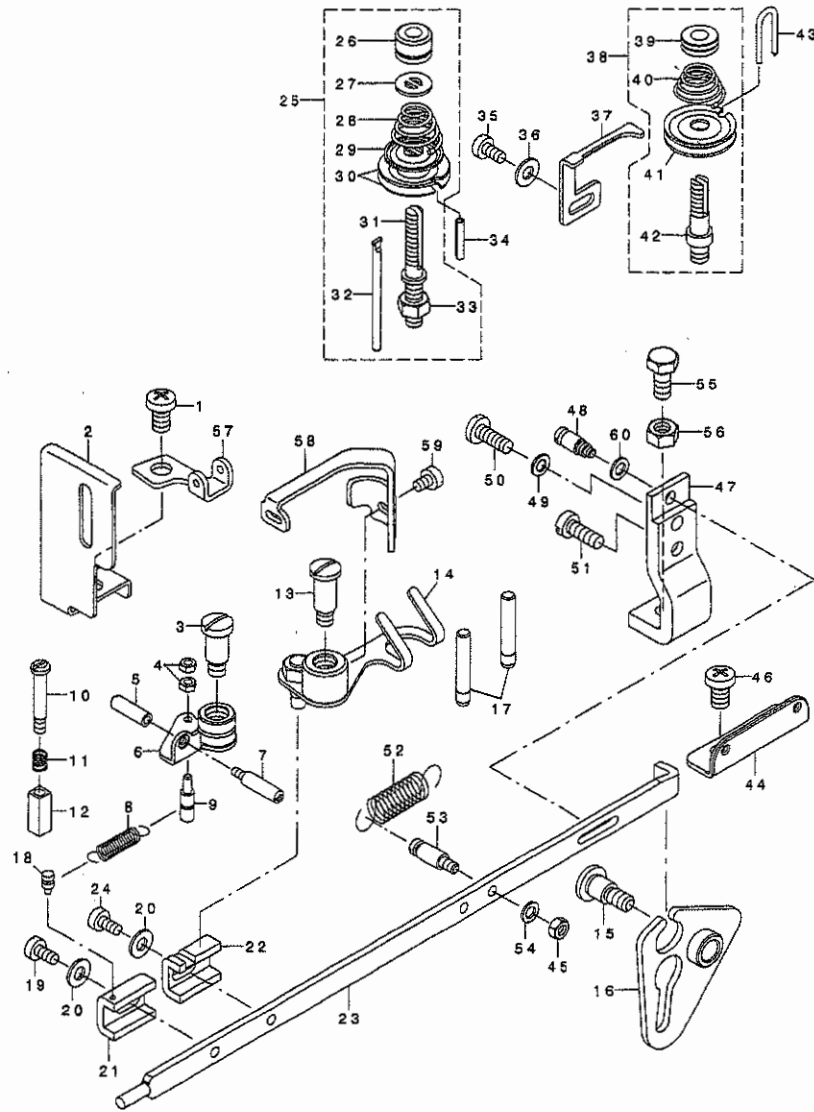
ルーバー軸関係



| REF. NO. | NOTE | PART NO. | DESCRIPTION | QTY | REV. |
|----------|------|---------------|--------------------------------|-----|------|
| 1 | | CS-079072A-TH | THRUST COLLAR ASM. | 1 | |
| 2 | | CS-079072I-TH | THRUST COLLAR D=7.94 W=7 | (1) | |
| 3 | | SS-7090620-TP | SCREW 9/64-40 L=6.1 | (1) | |
| 4 | | SM-6040800-SP | SCREW | 1 | |
| 5 | | 400-38484 | NEEDLE GUARD | 1 | |
| 6 | | 260-13807 | POSITIONING FINGER YOKE SLIDE | 1 | |
| 7 | | SM-1040950-TP | SCREW M4 L=9 | 2 | |
| 8 | | 260-13409 | YOKE SLIDE INSERT | 1 | |
| 9 | | 260-13805 | YOKE SLIDE | 1 | |
| 10 | | 400-38400 | ASSY LOOP POSITIONING FINGER L | 1 | |
| 11 | | 400-38403 | LOOP POSITIONING FINGER CAM RO | (1) | |
| 12 | | SD-0640246-SP | HINGE SCREW D=6.35 H=2.4 | 1 | |
| 13 | | SM-8061010-TP | SCREW | 1 | |
| 14 | | B1241-377-0B0 | THROAT PLATE SET | 1 | |
| 15 | | B1241-377-0A0 | THROAT PLATE ASM. | (1) | |
| 16 | | B2703-377-0A0 | THREAD BIND PLATE ASM. | (1) | |
| 17 | | B2702-377-000 | THREAD BIND SUPPORT PLATE | (1) | |
| 18 | | B2410-373-000 | COUNTER KNIFE | (1) | |
| 19 | | SS-7080310-SP | SCREW 1/8-44 L=3.0 | (2) | |
| 20 | | B2406-373-0A0 | MOVING KNIFE ASM. | (1) | |
| 21 | | SD-0600095-TH | HINGE SCREW D=6 H=0.85 | (1) | |
| 22 | | 400-41106 | ASSY LOOP POSITIONING FINGER_C | 1 | |
| 23 | | 260-03103 | LOOP POSITIONING FINGER CAM | (1) | |
| 24 | | SS-8110410-TP | SCREW 11/64-40 L=3.5 | (2) | |
| 25 | | 400-38482 | ASSY CAM AND LOOPER SLEEVE | 1 | |
| 26 | | 260-15503 | CAM AND LOOPER SLEEVE | (1) | |
| 27 | | SS-8150410-TP | SCREW 15/64-28 L=4.0 | (2) | |
| 28 | | B1228-372-000 | LOOP POSITIONING FINGER CAM RE | 1 | |
| 29 | | SS-8110310-SP | SCREW 11/64-40 L=2.8 | 2 | |
| 30 | | 260-15305 | LOOPER SHAFT BUSHING FRONT | 1 | |
| 31 | | SM-8061010-TP | SCREW | 1 | |
| 32 | | 400-38111 | LOOPER SHAFT | 1 | |
| 33 | | CS-111101K-SH | THRUST COLLAR ASM. D=11.11 W=1 | 1 | |
| 34 | | CS-1111019-SH | THRUST COLLAR D=11.11 W=10 | (1) | |
| 35 | | SS-8660512-TP | SCREW 1/4-40 L=5 | (1) | |
| 36 | | SS-8660512-TP | SCREW 1/4-40 L=5 | (1) | |
| 37 | | B1224-372-0A0 | LOOPER SHAFT DRIVEN GEAR ASM. | 1 | |
| 38 | | SS-8660612-TP | SCREW 1/4-40 L=6 | (2) | |
| 39 | | B1215-372-A00 | THRUST BALL BEARING | 1 | |
| 40 | | 260-13102 | LOOPER SHAFT BUSHING REAR | 1 | |
| 41 | | B1221-373-NA0 | WORM WHEEL ASM. | 1 | |
| 42 | | B1221-373-N00 | WORM | (1) | |
| 43 | | SS-6660712-TP | SCREW 1/4-40 L=7.0 | (2) | |
| 44 | | B1220-372-000 | CAM SHAFT DRIVEN GEAR | (1) | |
| 45 | | SS-8660612-TP | SCREW 1/4-40 L=6 | (2) | |
| 46 | | B1239-372-000 | LOOPER | 1 | |
| 47 | | SM-1040950-TP | SCREW M4 L=9 | 3 | |

4. NIPPER & THREAD TENSION PARTS COMPONENTS

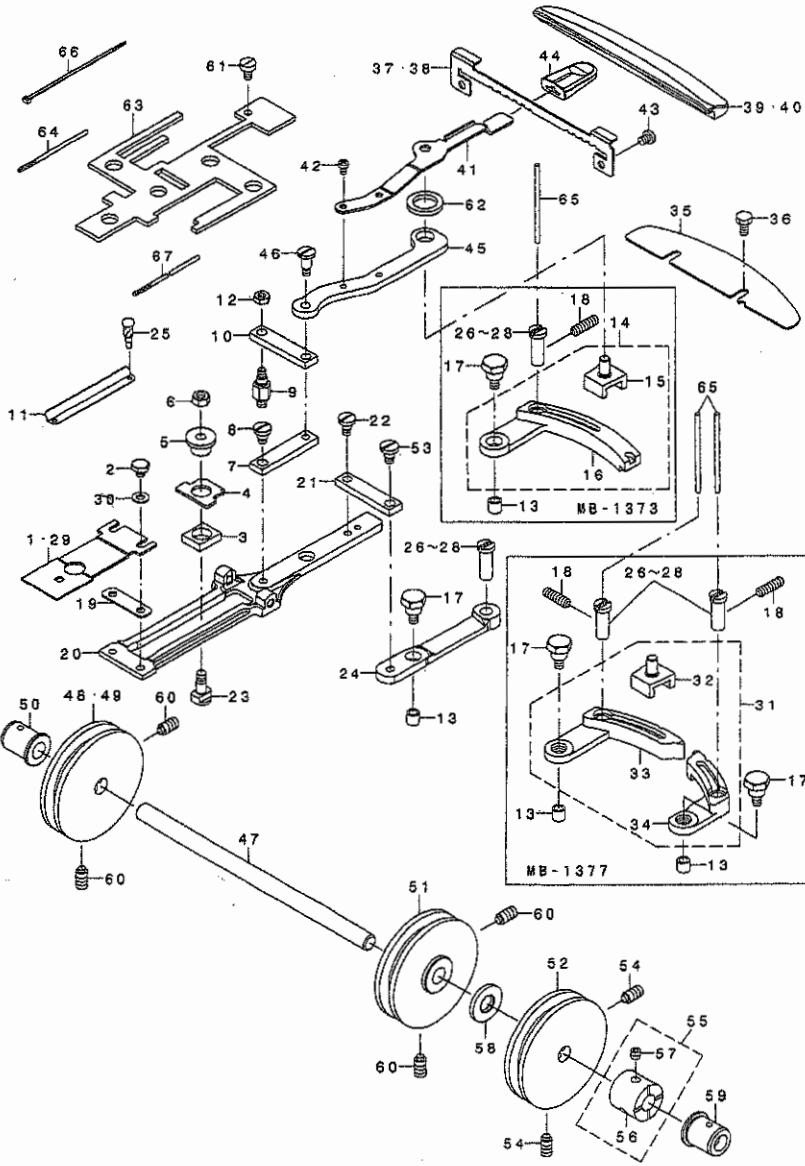
糸調子、ニッパー関係



| REF. NO. | NOTE | PART NO. | DESCRIPTION | 寸法 | Qty. |
|----------|------|---------------|--------------------------------|---------------------|------|
| 1 | | SM-4061255-SF | SCREW M6 L=12 | ナメネジ M6 L=12 | 1 |
| 2 | | 400-38205 | NEEDLE BAR GUARD | ハリ棒のカバー | 1 |
| 3 | | SD-0791276-TP | SHOULDER SCREW | ダシネジ D=7.94 H=12.7 | 1 |
| 4 | | NM-6030001-SN | NUT | ワッシャーナット | 2 |
| 5 | | 260-20602 | NUT | ワッシャーナット | 1 |
| 6 | | 260-00950 | NIPPER COMPL. | ニッパー(組立) | 1 |
| 7 | | 260-20503 | LOOPER SHAFT BUSHING REAR | ワッシャー | 1 |
| 8 | | 400-41077 | NIPPER BAR BLOCK SPRING | ワッシャー | 1 |
| 9 | | 400-38492 | NIPPER BAR BLOCK SPRING SCREW | ワッシャーネジ | 1 |
| 10 | | SD-0402001-TP | HINGE SCREW D=4 H=20 | ダシネジ D=4 H=20 | 1 |
| 11 | | 260-20404 | NIPPER SLIDE BLOCK SPRING | ワッシャー | 1 |
| 12 | | 260-20305 | NIPPER BLOCK | ワッシャー | 1 |
| 13 | | SD-0791506-TP | SHOULDER SCREW D=7.94 H=15 | ダシネジ D=7.94 H=15 | 1 |
| 14 | | 400-38476 | THREAD PULL OFF LEVER ASM | 糸引きレバー組立 | 1 |
| 15 | | SD-0790806-TP | SHOULDER SCREW D=7.94 H=8 | ダシネジ D=7.94 H=8 | 1 |
| 16 | | 260-00455 | NIPPER BAR ACTUATING LEVER ASM | ニッパー棒作動レバー組立 | 1 |
| 17 | | 260-20206 | THREAD GUIDE PIN | 糸ガイドピン | 2 |
| 18 | | 260-19406 | NIPPER BAR BLOCK SPRING PIN | ワッシャーピン | 1 |
| 19 | | SM-6040800-SF | SCREW | ワッシャーネジ | 1 |
| 20 | | WF-0450801-SF | WASHER | ワッシャー | 2 |
| 21 | | 260-19307 | NIPPER BAR BLOCK | ワッシャー | 1 |
| 22 | | 260-19208 | TENSION LEVER ROCKING PIECE | 糸引きレバー揺動片 | 1 |
| 23 | | 400-38479 | NIPPER BAR | ニッパー棒 | 1 |
| 24 | | SM-6040800-SF | SCREW | ワッシャーネジ | 1 |
| 25 | | 400-38206 | TENSION POST ASM NO.2 | 糸引きポスト組立 No.2 | 1 |
| 26 | | 400-38214 | TENSION NUT | 糸引きナット | (1) |
| 27 | | 229-21407 | ROTATION STOPPER | 糸引き回転止 | (1) |
| 28 | | 260-19901 | THREAD TENSION SPRING | 糸引きテンションスプリング | (1) |
| 29 | | 260-20107 | THREAD TENSION DISK PRESSER | 糸引きテンションディスクプレス | (1) |
| 30 | | 260-05207 | THREAD TENSION DISK NO.1 | 糸引きテンションディスク No.1 | (2) |
| 31 | | 400-38210 | TENSION POST NO.2 | 糸引きポスト No.2 | (1) |
| 32 | | 260-19802 | TENSION RELEASE PIN | 糸引きリリースピン | (1) |
| 33 | | NM-6060001-CP | NUT M6 | ワッシャーナット M6 | (1) |
| 34 | | PS-0300162-KH | SPRING PIN 3X16 | スプリングピン 3X16 | 1 |
| 35 | | SM-6040800-SF | SCREW | ワッシャーネジ | 1 |
| 36 | | WF-0450801-SF | WASHER | ワッシャー | 1 |
| 37 | | 260-19109 | THREAD TENSION RELEASING LEVER | 糸引きテンションリリースレバー | 1 |
| 38 | | 400-38404 | ASST_THREAD_TENSION_NO.1 | 糸引きテンション補助 No.1 | 1 |
| 39 | | 400-38408 | THREAD_TENSION_NUT | 糸引きテンションナット | (1) |
| 40 | | 260-05306 | FIRST_THREAD_TENSION_SPRING | 糸引きテンションスプリング No.1 | (1) |
| 41 | | 260-05207 | THREAD_TENSION_DISK_NO.1 | 糸引きテンションディスク No.1 | (2) |
| 42 | | 400-38406 | THREAD_TENSION_POST_NO.1 | 糸引きテンションポスト No.1 | (1) |
| 43 | | 260-19505 | THREAD GUIDE | 糸引きガイド | 1 |
| 44 | | 260-21402 | THREAD GUIDE NO.1 | 糸引きガイド No.1 | 1 |
| 45 | | NM-6040002-SN | NUT M4 | ワッシャーナット M4X0.7 223 | 1 |
| 46 | | SM-4061255-SF | SCREW M6 L=12 | ナメネジ M6 L=12 | 1 |
| 47 | | 400-38396 | NIPPER BAR BEARING BLOCK | ニッパー棒ベアリングブロック | 1 |
| 48 | | 400-38206 | ADJUSTING SCREW | 調整ネジ | 1 |
| 49 | | WF-0550800-SF | WASHER 5.5X10X0.8 | ワッシャー 5.5X10X0.8 | 1 |
| 50 | | SM-7051460-TP | SCREW M5 L=14 | ワッシャーネジ M5 L=14 | 1 |
| 51 | | SM-6051400-SF | SCREW | ワッシャーネジ | 1 |
| 52 | | 260-19000 | THREAD TENSION SPRING | 糸引きテンションスプリング | 1 |
| 53 | | 400-38207 | NIPPER BAR SPRING SCREW | ニッパー棒スプリングネジ | 1 |
| 54 | | WF-0450846-SF | WASHER | ワッシャー | 1 |
| 55 | | SM-9061403-CP | SCREW M6 L=14 | ワッシャーネジ | 1 |
| 56 | | NM-6060001-SE | NUT M6 | ワッシャーナット M6 192 | 1 |
| 57 | | 260-21105 | THREAD GUIDE | 糸引きガイド | 1 |
| 58 | | 400-38320 | LEVER | ワイパー | 1 |
| 59 | | SM-6040600-SF | SCREW M4 L=6 | ワッシャーネジ M4 L=6 | 1 |
| 60 | | WF-0501016-SD | WASHER 5X10.5X1 | ワッシャー 5X10.5X1 | 1 |

5. FEED PLATE COMPONENTS

送り関係

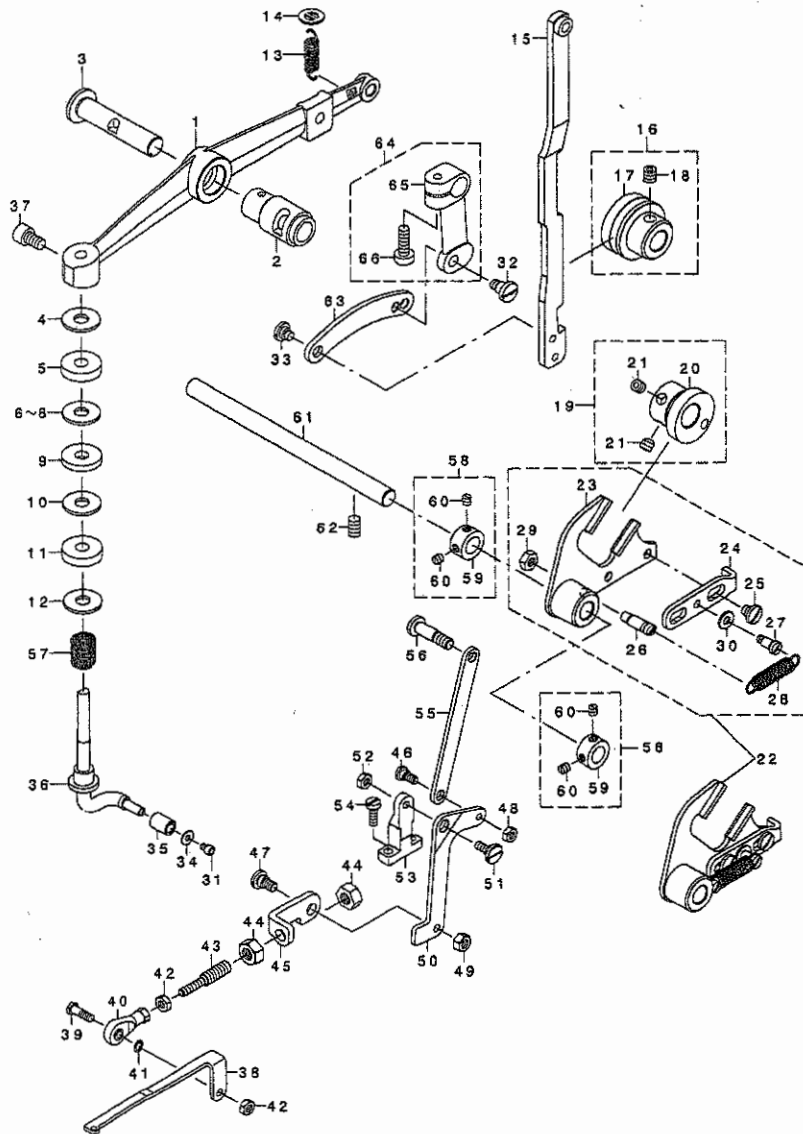


| REF. NO. | NOTE | PART NO. | DESCRIPTION | QTY. |
|----------|------|-----------------|--------------------------------|------|
| 1 | | 32528-373-000 | FEED PLATE, SMALL BUTTON | 1 |
| 2 | | 33-9120643-TP | SCREW 3/16-28 L=6 | 2 |
| 3 | | 230-24504 | INDICATOR PIN BEARING BLOCK | 1 |
| 4 | | 260-24901 | CROSSWISE FEED INDICATOR | 1 |
| 5 | | 260-24703 | CROSSWISE FEED INDICATOR PIN | 1 |
| 6 | | 38-8080001-CP | NUT M5 | 1 |
| 7 | | 400-38489 | SLIDE PLATE CONNECTING LINK | 1 |
| 8 | | 3D-0640481-SP | HINGE SCREW D=6.35 H=4.8 | 1 |
| 9 | | 400-38489 | STUD | 1 |
| 10 | | 260-24506 | INTERMEDI CONNECTING LINK | 1 |
| 11 | | 400-41028 | CROSSWISE FEED GRADUATE PLATE | 1 |
| 12 | | 38-8080001-SP | NUT M5 | 1 |
| 13 | | 260-23200 | CAM ROLL | 2 |
| 14 | | 400-41030 | LENGTHWISE FEED LEVER ARM A573 | 1 |
| 15 | | 400-38435 | LENGTHWISE FEED LEVER SLIDE | (1) |
| 16 | | 400-41029 | FEED LEVER 1373 | (1) |
| 17 | | 400-38486 | CAM ROLL SCREW STUD | 2 |
| 18 | | 38-8081212-TP | SCREW M5X12 | 1 |
| 19 | | 260-24508 | SPACER PLATE | 1 |
| 20 | | 32522-373-000-A | FEED PLATE | 1 |
| 21 | | 260-24206 | INTERMEDI CONNECTING LINK | 1 |
| 22 | | 3D-0640481-SP | HINGE SCREW D=6.35 H=4.8 | 1 |
| 23 | | 400-38421 | HINGE SCREW FOR CROSSWISE FEED | 1 |
| 24 | | 400-38453 | CROSSWISE FEED LEVER | 1 |
| 25 | | 31181-227-000 | RIVET | 2 |
| 26 | #03 | 400-41035 | FEED STUD A | 1 |
| 27 | #03 | 400-41036 | FEED STUD B | 1 |
| 28 | #03 | 400-41037 | FEED STUD C | 1 |
| 29 | | 32528-373-000-A | FEED PLATE, SMALL BUTTON | 1 |
| 30 | | 38-8081018-SD | RASHER S&O SKI | 2 |
| 31 | #01 | 400-38432 | LENGTHWISE FEED LEVER ARM | 1 |
| 32 | | 400-38435 | LENGTHWISE FEED LEVER SLIDE | (1) |
| 33 | | 400-38432 | FEED LEVER L | (1) |
| 34 | | 400-38433 | FEED LEVER R | (1) |
| 35 | | 400-41061 | FEED KNOB GUIDE PLATE | 2 |
| 36 | | 38-8080813-SE | SCREW M5X8 L=8 | 1 |
| 37 | #02 | 400-42279 | PLATE BASE (MB-1373) | 1 |
| 38 | #01 | 400-38436 | PLATE BASE (MB-1377) | 1 |
| 39 | #02 | 400-38313 | GRADUATE PLATE (MB-1373) | 1 |
| 40 | #01 | 400-38314 | GRADUATE PLATE (MB-1377) | 1 |
| 41 | | 400-42281 | HANDLE AND INDICATOR SPRING | 1 |
| 42 | | 38-4040855-SP | SCREW M4 L=6 | 2 |
| 43 | | 38-4080855-SP | SCREW | 2 |
| 44 | | 400-38442 | KNOB | 1 |
| 45 | | 400-40986 | INDICATOR SPRING CONNECTING LI | 1 |
| 46 | | 3D-0640481-TP | SHOULDER SCREW D=6.35 H=9.7 | 2 |
| 47 | | 400-38444 | CAM SHAFT | 1 |
| 48 | | 400-41032 | LENGTHWISE FEED CAM(X) | 1 |
| 49 | #02 | 32528-373-000-A | LONGITUDINAL FEED CAM | 1 |
| 50 | | 260-24509 | CAM SHAFT BUSHING, LEFT | 1 |
| 51 | | 400-41033 | LATERAL FEED CAM | 1 |
| 52 | #01 | 400-41025 | LONGITUDINAL FEED CAM A | 1 |
| 53 | | 3D-0640486-TP | SHOULDER SCREW D=6.35 H=4.8 | 1 |
| 54 | #01 | 35-8681412-TP | SCREW 9/32-28 L=13.5 | 2 |
| 55 | #02 | 400-40964 | THRUST COLLAR ASSY | 1 |
| 56 | | 400-40967 | THRUST COLLAR | (1) |
| 57 | | 38-8080252-TP | SCREW M5 L=6 | (2) |
| 58 | #01 | 400-42081 | SPACER | 1 |
| 59 | | 260-24400 | CAM SHAFT BUSHING, RIGHT | 1 |
| 60 | | 35-8681412-TP | SCREW 9/32-28 L=13.5 | 4 |
| 61 | | 38-8080300-SP | SCREW M5 L=6 | 1 |
| 62 | | 400-41045 | OIL RETAINING FELT | 1 |
| 63 | | 400-41044 | FEED SHOULDER SCREW FELT | 1 |
| 64 | | CN-2520000-00 | OIL WICK | 0.06 |
| 65 | | CN-3000000-00 | OIL FELT | 0.06 |
| 66 | | CA-3500001-00 | CABLE BOND | 4 |
| 67 | | CN-2520000-00 | OIL WICK | 0.3 |

NOTE (注記)
 #01... FOR MB-1377
 #02... FOR MB-1373
 #03... SELECTIVE PARTS

6. BUTTON CLAMP LIFTER COMPONENTS

引き上げ関係

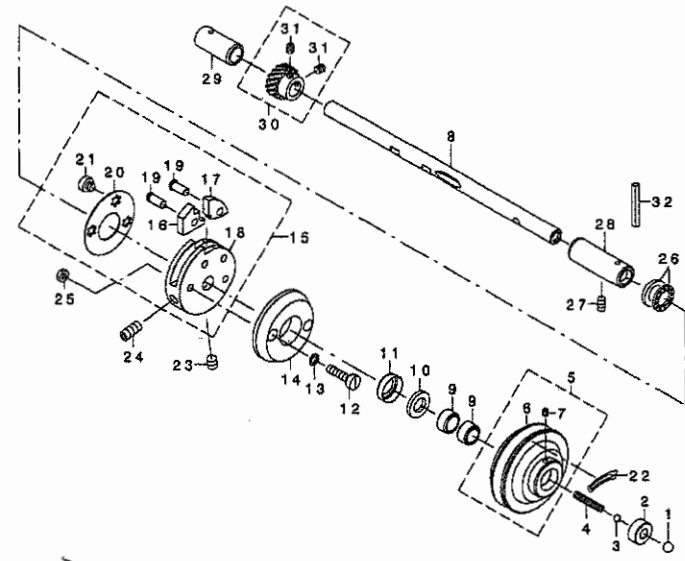


| REF. NO. | NOTE | PART NO. | DESCRIPTION | 単位 | Qty. |
|----------|------|---------------|-------------------------------|---------------------|------|
| 1 | | 400-38119 | LIFTING LEVER | 引き上げレバー | 1 |
| 2 | | 260-18101 | BUSHING | 針棒用ブッシング | 1 |
| 3 | | 400-38116 | NEEDLE BAR LEVER | 針棒用レバー | 1 |
| 4 | | WP-0851216-SC | WASHER 8.5X18.0X1.2 | ワッシャー 8.5X18X1.2 | 1 |
| 5 | | B4420-373-000 | CUSHION | クッション | 1 |
| 6 | #01 | WP-0851216-SC | WASHER 8.5X18.0X1.2 | ワッシャー 8.5X18X1.2 | 1 |
| 7 | #01 | WP-0751576-SD | WASHER 7.5X19X1.5 | ワッシャー 7.5X19X1.5 | 1 |
| 8 | #01 | 105-10808 | WASHER | ワッシャー | 1 |
| 9 | | WP-0751576-SD | WASHER 7.5X19X1.5 | ワッシャー 7.5X19X1.5 | 1 |
| 10 | | WP-0751576-SD | WASHER 7.5X19X1.5 | ワッシャー 7.5X19X1.5 | 1 |
| 11 | | B4420-373-000 | CUSHION | クッション | 1 |
| 12 | | WP-0700516-SP | WASHER 7X20X3.5 | ワッシャー 7X20X3.5 | 1 |
| 13 | | 260-33407 | SPRING | スプリング | 1 |
| 14 | | 260-33205 | WASHER | ワッシャー | 1 |
| 15 | | B4411-372-000 | BUTTON CLAMP LIFTING LINK | ボタンクランプ引き上げリンク | 1 |
| 16 | | 400-40862 | ASSY SLIDING ROLLER | スライドローラー組立 | 1 |
| 17 | | 400-40953 | SLIDING ROLLER | スライドローラー | (1) |
| 18 | | SM-8060612-TP | SCREW M6 L=6 | ネジ M6 L=6 | (1) |
| 19 | | 400-38321 | ECCENTRIC CAM | 偏心カム | 1 |
| 20 | | 400-38398 | ECCENTRIC CAM | 偏心カム | (1) |
| 21 | | SM-8060412-TP | SCREW | ネジ M6 L=4 | (2) |
| 22 | | 400-38146 | BUTTON CLAMP LIFTING LINK SET | ボタンクランプ引き上げリンクセット | 1 |
| 23 | | 400-40966 | BUTTON CLAMP LIFTING LINK | ボタンクランプ引き上げリンク | (1) |
| 24 | | 400-38149 | LIFTING HOOK | 引き上げフック | (1) |
| 25 | | SD-0840276-TP | SHOULDER SCREW D=6.35 H=2.7 | 肩部ネジ D=6.35 H=2.7 | (2) |
| 26 | | 400-40963 | THRUST SPRING RACK 3 | スラストスプリングラック 3 | (1) |
| 27 | | SD-0500726-TP | SHOULDER SCREW D=5 H=7.2 | 肩部ネジ D=5 H=7.2 | (1) |
| 28 | | 400-38150 | LIFTING HOOK SPRING | 引き上げフックスプリング | (1) |
| 29 | | NM-6050001-SP | NUT M5 | ナット M5X0.8 152 | (1) |
| 30 | | WP-0410846-SC | WASHER | ワッシャー | (1) |
| 31 | | SM-8030402-TP | SCREW M3X0.5 L=4 | ネジ M3X0.5 L=4 | 1 |
| 32 | | SD-0640481-SP | HINGE SCREW D=6.35 H=4.8 | ヒンジネジ D=6.35 H=4.8 | 1 |
| 33 | | SD-0640211-SP | HINGE SCREW D=6.35 H=2.1 | ヒンジネジ D=6.35 H=2.1 | 1 |
| 34 | | WP-0330501-SB | WASHER M3 | ワッシャー M3 | 1 |
| 35 | | 400-38283 | L TYPE LIFTING BAR ROLLER | L型引き上げ棒ローラー | 1 |
| 36 | | 400-38502 | BUTTON CLAMP LIFTING ROD A | ボタンクランプ引き上げ棒 A | 1 |
| 37 | | SM-6081092-TP | SCREW M6 L=10 | ネジ M6 L=10 | 1 |
| 38 | | 400-38425 | CONNECTING LINK FRONT | 接続リンク 前 | 1 |
| 39 | | 260-22202 | JOINT STUD | ジョイントスタッド | 1 |
| 40 | | B1632-180-000 | FEED ADJUSTING JOINT | 送り調整ジョイント | 1 |
| 41 | | WP-0610516-SD | WASHER 5.1X7.5X0.5 | ワッシャー 5.1X7.5X0.5 | 1 |
| 42 | | NM-6050001-SP | NUT M5 | ナット M5X0.8 152 | 2 |
| 43 | | 400-38219 | CONNECTING SCREW | 接続ネジ | 1 |
| 44 | | NM-6080021-SP | NUT M6 TYPE1 | ナット M6タイプ1 | 2 |
| 45 | | 400-38429 | CONNECTING LINK REAR | 接続リンク 後 | 1 |
| 46 | | SD-0640523-TP | HINGE SCREW D=6.35 H=3.2 | ヒンジネジ D=6.35 H=3.2 | 1 |
| 47 | | SD-0790402-TP | HINGE SCREW D=7.94 H=4 | ヒンジネジ D=7.94 H=4 | 1 |
| 48 | | NS-6620310-SP | NUT 3/16-32 | ナット 3/16-32 | 1 |
| 49 | | NS-6150310-SP | NUT 15/64-28 | ナット 15/64-28 | 1 |
| 50 | | 400-38397 | THREAD TRIMMING LEVER | スレッドトリミングレバー | 1 |
| 51 | | SD-0790316-TP | SHOULDER SCREW D=7.94 H=3.1 | 肩部ネジ D=7.94 H=3.1 | 1 |
| 52 | | NM-6050001-SP | NUT M5 | ナット M5X0.8 152 | 1 |
| 53 | | 400-38495 | THREAD TRIM LEVER BASE | スレッドトリミングレバーベース | 1 |
| 54 | | SM-7051460-TP | SCREW M5 L=14 | ネジ M5 L=14 | 2 |
| 55 | | 260-21709 | THREAD TRIMMING LINK | スレッドトリミングリンク | 1 |
| 56 | | SD-0641322-TP | HINGE SCREW D=6.35 H=13.2 | ヒンジネジ D=6.35 H=13.2 | 1 |
| 57 | | 260-33605 | SPRING | スプリング | 1 |
| 58 | | CS-0950610-SH | THRUST COLLAR ASM. D=9.5 W=8 | スラストカラー組立 D=9.5 W=8 | 2 |
| 59 | | CS-0950616-SH | THRUST COLLAR D=9.5 W=8 | スラストカラー D=9.5 W=8 | (1) |
| 60 | | SS-8110410-TP | SCREW 11/64-40 L=3.5 | ネジ 11/64-40 L=3.5 | (2) |
| 61 | | 400-38445 | LEVER SHAFT | レバーシャフト | 1 |
| 62 | | SM-8081010-TP | SCREW | ネジ M6 L=10 | 2 |
| 63 | | 260-32505 | LIFTING LINK | 引き上げリンク | 1 |
| 64 | | 400-38414 | LIFTING PLATE GUIDE ROD ASM | 引き上げプレートガイドロッド組立 | 1 |
| 65 | | 400-38413 | LIFTING PLATE GUIDE ROD | 引き上げプレートガイドロッド | (1) |
| 66 | | SM-8051600-SP | SCREW M5 L=16 | ネジ M5 L=16 | (1) |

NOTE (注記) #01...SELECTIVE PARTS(USE OF ONE PARTS) 選択部品 (いづれか一箇使用)

7. NEEDLE DRIVING PULLEY SHAFT COMPONENTS

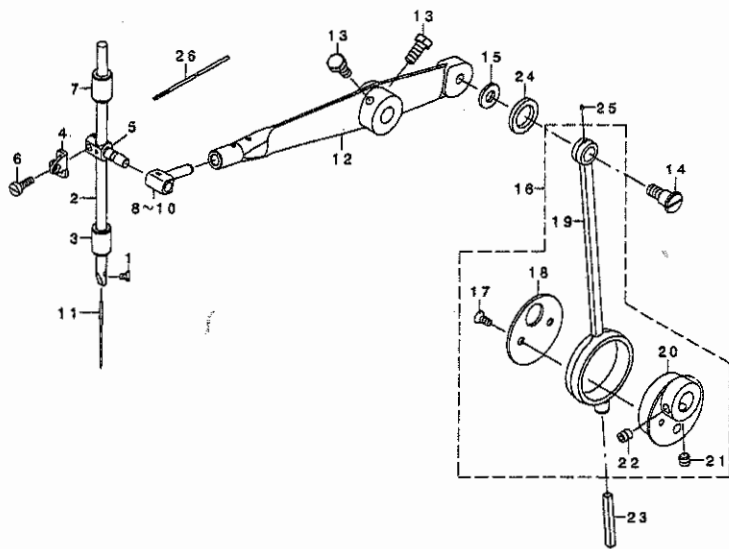
駆動軸関係



| REF. NO | NOTE | PART NO. | DESCRIPTION | クニヤイ | Qty |
|---------|------|---------------|--------------------------------|-----------------|-----|
| 1 | | 81203-372-000 | BALL LARGE | ボール 大 | 1 |
| 2 | | 260-12401 | PULLEY INSERT | ボール 大 - 12401 | 1 |
| 3 | | 400-38203 | BALL SMALL | ボール 小 | 1 |
| 4 | | 260-12500 | SPRING | ばね | 1 |
| 5 | | 400-38169 | DRIVING PULLEY ASM. | ボール 大 - 38169 | 1 |
| 6 | | 400-38175 | DRIVING PULLEY | ボール 大 - 38175 | (1) |
| 7 | | SM-8040612-TP | SCREW M4 L=6 | ボルト M4 L=6 | (1) |
| 8 | | 400-38448 | NEEDLE DRIVING PULLEY SHAFT | ボール 大 | 1 |
| 9 | | 81243-372-000 | NEEDLE BEARING | ボール 大 | 2 |
| 10 | | 260-12609 | GREASE RETAINING WICK | ボール 大 | 1 |
| 11 | | 260-12708 | RETAINING WASHER | ボール 大 | 1 |
| 12 | | SM-8062450-TP | SCREW M6 L=23.5 | ボルト M6 L=23.5 | 2 |
| 13 | | WP-0621026-SP | WASHER 6.2X9.5X1 | ワッシャー 6.2X9.5X1 | 2 |
| 14 | | 81208-372-000 | NEEDLE DRIVING PULLEY CLUTCH D | ボール 大 | 1 |
| 15 | | 400-38137 | STOP MOTION DISC ASM. | ボール 大 | 1 |
| 16 | | 400-38135 | STOP MOTION DISC LATCH A | ボール 大 | (1) |
| 17 | | 400-38136 | STOP MOTION DISC LATCH B | ボール 大 | (1) |
| 18 | | 400-38138 | STOP MOTION DISC | ボール 大 | (1) |
| 19 | | 400-38139 | STOP MOTION PAWL SHAFT | ボール 大 | (2) |
| 20 | | 400-38140 | STOP MOTION DISC WASHER | ボール 大 | (1) |
| 21 | | SM-8060550-TP | SCREW M6 L=4.5 | ボルト M6 L=4.5 | (1) |
| 22 | | CM-5002000-01 | DIRECTION LABEL | ボール 大 | 1 |
| 23 | | SM-8080812-TP | SCREW M8X8 | ボルト M8 L=8 | 1 |
| 24 | | SM-8081752-TP | SCREW M8 L=17 | ボルト M8 L=17 | 1 |
| 25 | | SM-8060003-SP | NUT M6 TYPES | ナット M6 | 2 |
| 26 | | 81213-372-800 | THRUST BALL BEARING | ボール 大 | 1 |
| 27 | | SM-8061010-TP | SCREW | ボルト M6 L=10 | 1 |
| 28 | | 400-38451 | PULLEY SHAFT BUSHING RIGHT | ボール 大 | 1 |
| 29 | | 400-42148 | PULLEY SHAFT BUSHING LEFT | ボール 大 | 1 |
| 30 | | 81217-372-00A | DRIVING GEAR (A) ASM. | ボール 大 | 1 |
| 31 | | SS-8060512-TP | SCREW 1/4-40 L=6 | ボルト 1/4-40 L=6 | (2) |
| 32 | | 260-18309 | OIL WICK | ボール 大 | 1 |

8. NEEDLE BAR DRIVING MECHANISM COMPONENTS

針棒関係

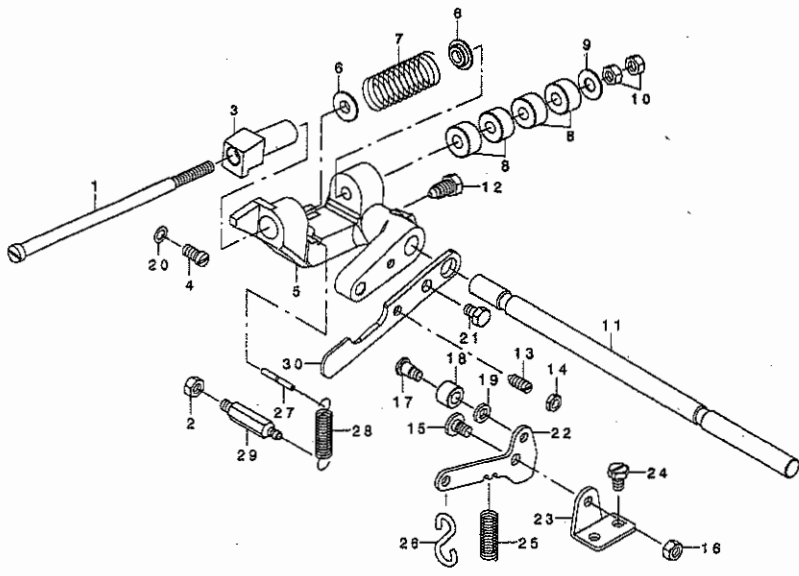


| REF. NO | NOTE | PART NO. | DESCRIPTION | クニヤイ | Qty |
|---------|------|---------------|---------------------------|--------------------|------|
| 1 | | SS-7080510-TP | SCREW 1/8-44 L=4.5 | ボルト 1/8-44 L=4.5 | 1 |
| 2 | | 148-06107 | NEEDLE ROD | 針棒 | 1 |
| 3 | | 260-17707 | NEEDLE BAR BUSHING LOWER | 針棒 下 | 1 |
| 4 | | 400-40851 | NEEDLE BAR BALANCE | 針棒 平衡 | 1 |
| 5 | | 400-40852 | NEEDLE BAR CLAMP | 針棒 止 | 1 |
| 6 | | SM-6041200-SP | SCREW M4 L=12 | ボルト M4 L=12 | 1 |
| 7 | | 400-38142 | NEEDLE BAR BUSHING UPPER | 針棒 上 | 1 |
| 8 | #01 | 400-38120 | NEEDLE BAR SLIDE BLOCK A | 針棒 滑り台 A | 1 |
| 9 | #01 | 400-38121 | NEEDLE BAR SLIDE BLOCK B | 針棒 滑り台 B | 1 |
| 10 | #01 | 400-38122 | NEEDLE BAR SLIDE BLOCK C | 針棒 滑り台 C | 1 |
| 11 | | RTQ-10081600 | NEEDLE TQX1 #16 | 針 TQX1 #16 | 1 |
| 12 | | 400-38117 | NEEDLE BAR DRIVING LEVER | 針棒 駆動レバー | 1 |
| 13 | | SM-8061403-CP | SCREW M6 L=14 | ボルト M6 L=14 | 2 |
| 14 | | SP-0950804-TP | SHOULDER SCREW D=9.53 H=8 | ボルト D=9.53 H=8 | 1 |
| 15 | | 260-18705 | WASHER | ワッシャー | 1 |
| 16 | | 260-18457 | CRANK ROD ASM. | クランクロッド | 1 |
| 17 | | SS-2110920-TP | SCREW 11/64-40 L=8.5 | ボルト 11/64-40 L=8.5 | (2) |
| 18 | | 260-18805 | THRUST HOLDER | 針棒 止 | (1) |
| 19 | | 260-18403 | CRANK ROD | クランクロッド | (1) |
| 20 | | 260-18507 | ECCENTRIC CAM | 針棒 偏心カム | (1) |
| 21 | | SS-8060612-TP | SCREW 1/4-40 L=6 | ボルト 1/4-40 L=6 | (1) |
| 22 | | SS-8060942-TP | SCREW 1/4-40 L=8.5 | ボルト 1/4-40 L=8.5 | (1) |
| 23 | | 260-18309 | OIL WICK | ボール 大 | 1 |
| 24 | | 400-41045 | OIL RETAINING FELT | ボール 大 | 1 |
| 25 | | CQ-2500000-PO | OIL WICK | ボール 大 | 0.01 |
| 26 | | CQ-2020000-00 | OIL WICK | ボール 大 | 0.1 |

NOTE (注記) #01...SELECTIVE PARTS 選択部品

9. STOP MOTION MECAHNISM COMPONENTS

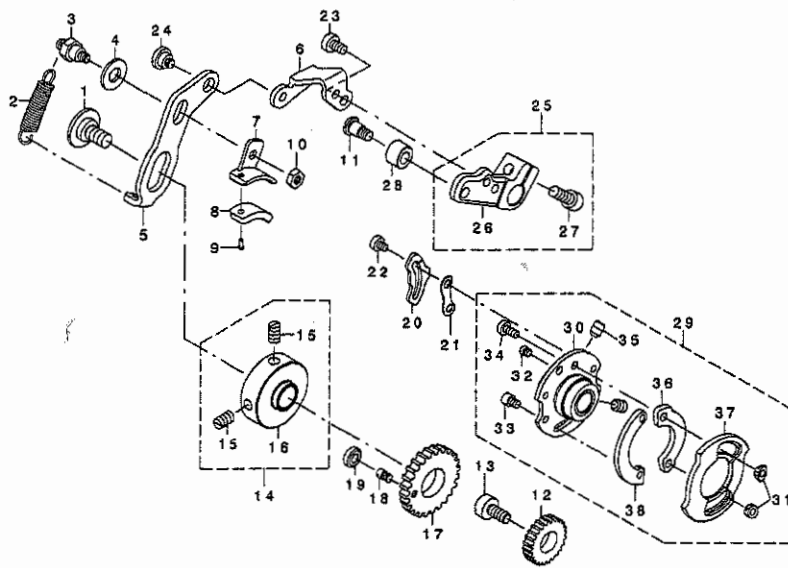
遮断装置関係



| REF. NO | NOTE | PART NO. | DESCRIPTION | Qty |
|---------|------|-----------------|--------------------------------|-----|
| 1 | | 260-27805 | STOP MOTION PLUNGER ROD | 1 |
| 2 | | NM-6060003-SF | NUT M6 TYPE3 | 1 |
| 3 | | 400-38118 | CROSSING HOOK | 1 |
| 4 | | SM-5061150-TP | SCREW M6 L=11 | 1 |
| 5 | | B2602-372-000-A | STOP MOTION PLUNGER LEVER | 1 |
| 6 | | 262-29104 | WASHER | 2 |
| 7 | | 400-38110 | STOP MOTION SPRING | 30 |
| 8 | | B2608-250-000 | RUBBER CUSHION | 4 |
| 9 | | 260-30801 | WASHER | 1 |
| 10 | | NS-6680410-SP | NUT 9/32-28 | 2 |
| 11 | | 400-38448 | STOP MOTION SHAFT | 1 |
| 12 | | 400-42437 | SCREW | 1 |
| 13 | | SS-8161570-SP | SCREW 15/64-28 L=15.0 | 1 |
| 14 | | NS-6150310-SP | NUT 15/64-28 | 1 |
| 15 | | SD-0680276-TP | SHOULDER SCREW D=6.8 H=2.7 | 1 |
| 16 | | NM-6060001-CP | NUT M6 | 1 |
| 17 | | SD-0710706-TP | SHOULDER SCREW D=7.14 H=7 | 1 |
| 18 | | 260-29207 | STITCH ADJUSTING ROLLER | 1 |
| 19 | | WP-0612066-SP | WASHER 6.1X11X2 | 1 |
| 20 | | 260-19604 | WASHER | 1 |
| 21 | | SM-9061003-CP | SCREW M6 L=10 | 1 |
| 22 | | 400-38165 | STOP MOTION TRIP LEVER | 1 |
| 23 | | 260-28308 | STOP MOTION TRIP LEVER BRACKET | 1 |
| 24 | | SM-9061250-TP | SCREW M6 L=12 | 2 |
| 25 | | 229-24905 | OIL REGULATOR SCREW SPRING | 1 |
| 26 | | 131-80304 | S SHAPED HOOK | 1 |
| 27 | | 260-28801 | STOP MOTION LEVER SPRING PIN | 1 |
| 28 | | 400-38410 | STOP MOTION LEVER SPRING | 1 |
| 29 | | 400-40940 | SCREW STUD | 1 |
| 30 | | B2611-373-N00 | PRESSURE APPLYING LEVER | 1 |

10. STITCH SELECTING PARTS COMPONENTS

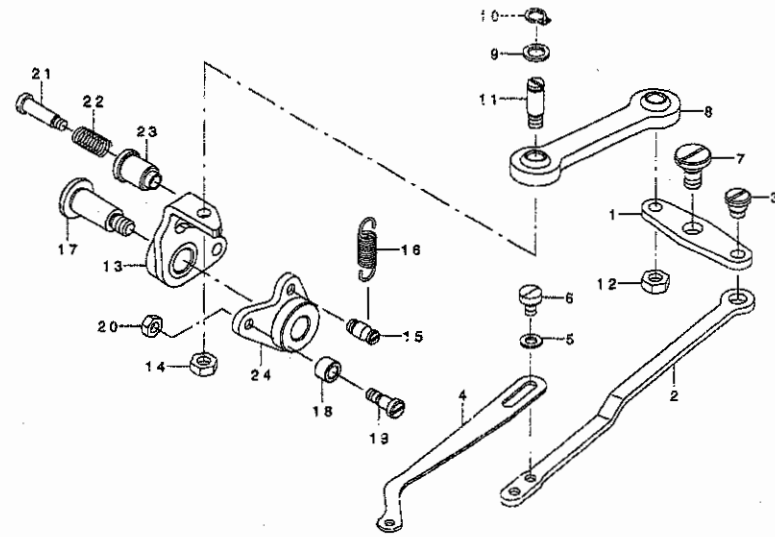
針数調節関係



| REF. NO | NOTE | PART NO. | DESCRIPTION | Qty |
|---------|------|-----------------|---------------------------------|-----|
| 1 | | SD-1278346-TP | SHOULDER SCREW D=12.7 H=3.4 | 1 |
| 2 | | 280-30304 | SPRING FOR FRICTION PLATE | 1 |
| 3 | | 280-30307 | FRICTION PLATE ROTATING SHAFT | 1 |
| 4 | | WP-0850002-SP | WASHER 8.5X18X1.6 | 1 |
| 5 | | 280-30308 | SPEED SLOWING LEVER | 1 |
| 6 | | 260-30105 | TYPING FLAME | 1 |
| 7 | | 280-30108 | FRICTION PLATE HOLDER | 1 |
| 8 | | B2640-372-060 | SPEED SLOWING FRICTION PLATE | 1 |
| 9 | | B2611-332-060 | POSITIONING PIN | 1 |
| 10 | | NS-6118310-SP | NUT 11/64-40 | 1 |
| 11 | | SD-0710706-TP | SHOULDER SCREW D=7.14 H=7 | 1 |
| 12 | | B2628-372-000 | STITCH SELECTING SPUR GEAR, M1 | 1 |
| 13 | | 400-40943 | INTERMEDIATE GEAR SHAFT | 1 |
| 14 | | 400-40942 | ASY. SPEED SLOWING FRICTION BR. | 1 |
| 15 | | SM-9061016-TP | SCREW | (3) |
| 16 | | 400-40944 | SPEED SLOWING FRICTION WHEEL | (1) |
| 17 | | B2630-372-000-A | GEAR, LARGE | 1 |
| 18 | | B2631-372-000 | SCREW | 1 |
| 19 | | B2632-372-000-A | ROLLER | 1 |
| 20 | | 400-40945 | THREAD BIND NOTCH | 1 |
| 21 | | 280-30809 | SPACER | 1 |
| 22 | | SM-9048560-TP | SCREW 4X3.0 L=4.5 | 2 |
| 23 | | SM-9048560-SP | SCREW M6 L=6 | 1 |
| 24 | | SM-9048561-SP | HINGE SCREW D=8 H=3.4 | 1 |
| 25 | | 400-38309 | STITCH ADJUSTING ARM ASM. | 1 |
| 26 | | 400-38371 | STITCH ADJUSTING ARM | (1) |
| 27 | | SM-9061602-TX | SCREW M6 L=16 | (1) |
| 28 | | 280-29207 | STITCH ADJUSTING ROLLER | 1 |
| 29 | | 400-41046 | STITCH ADJUSTING CAM A ASSY | 1 |
| 30 | | 400-41054 | STITCH ADJUSTING CAM A ASM. | (1) |
| 31 | | 400-41050 | NUT | (1) |
| 32 | | 400-38304 | SCREW | (1) |
| 33 | | SM-9048502-TP | SCREW 4X3.0 L=5 | (1) |
| 34 | | SM-9048508-SP | SCREW | (2) |
| 35 | | SM-9050812-TP | SCREW M6 L=6 | (2) |
| 36 | | 400-41045 | STITCH CAM A | (1) |
| 37 | | 400-41048 | STITCH CAM A | (1) |
| 38 | | 400-41051 | STOP MOTION CAM SHADE | (1) |

11. THREAD BIND NOTCH COMPONENTS (FOR MB-1377)

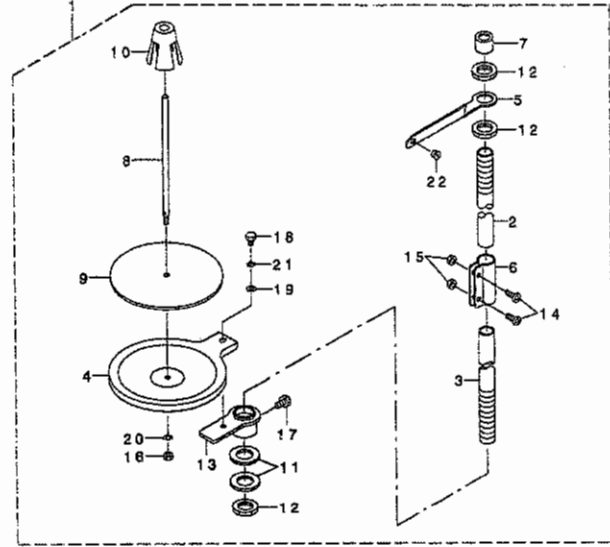
糸結び関係 (MB-1377用)



| REF. NO. | NOTE | PART NO. | DESCRIPTION | 数量 | Qty |
|----------|------|---------------|-----------------------------|----|-----|
| 1 | | 400-38488 | THREAD BIND LEVER | 1 | 1 |
| 2 | | 400-38452 | CONNECTING_PLATE_LARGE | 1 | 1 |
| 3 | | SD-0640328-TP | SHOULDER SCREW D=6.35 H=3.2 | 1 | 1 |
| 4 | | 400-38486 | CONNECTING_PLATE_SMALL | 1 | 1 |
| 5 | | WF-0430800-SD | WASHER #4 | 2 | 2 |
| 6 | | SM-6040650-TP | SCREW | 2 | 2 |
| 7 | | SD-0720336-SP | SHOULDER SCREW | 1 | 1 |
| 8 | | D2509-282-A00 | WORK CAMP FOOT BALL LINK | 1 | 1 |
| 9 | | 400-38489 | THREAD BIND LINK SHAFT | 2 | 2 |
| 10 | | WF-0621026-SP | WASHER 6.2X9.5X1 | 2 | 2 |
| 11 | | RC-0560711-KP | RETAINING RING | 2 | 2 |
| 12 | | NN-6050001-SP | NUT M5 | 1 | 1 |
| 13 | | 400-38456 | THREAD BIND_ARM_B | 1 | 1 |
| 14 | | NN-6050001-SP | NUT M5 | 1 | 1 |
| 15 | | 400-38494 | THREAD BIND_ARM_SPRING_RAC | 1 | 1 |
| 16 | | 260-17103 | SPRING | 1 | 1 |
| 17 | | SD-0901806-TP | SHOULDER SCREW | 1 | 1 |
| 18 | | 260-17301 | ROLLER | 1 | 1 |
| 19 | | SD-0460576-TP | SHOULDER SCREW D=4.6 H=5.7 | 1 | 1 |
| 20 | | NN-6040001-SP | NUT M4X0.7 | 1 | 1 |
| 21 | | SD-0481456-TP | SHOULDER SCREW D=4.8 H=14.5 | 1 | 1 |
| 22 | | 400-38306 | SPRING | 1 | 1 |
| 23 | | 400-38305 | STITCH_ADJUSTING_CAM_KNOB | 1 | 1 |
| 24 | | 400-38455 | ASS_THREAD_BIND_ARM_A | 1 | 1 |

12. THREAD STAND COMPONENTS

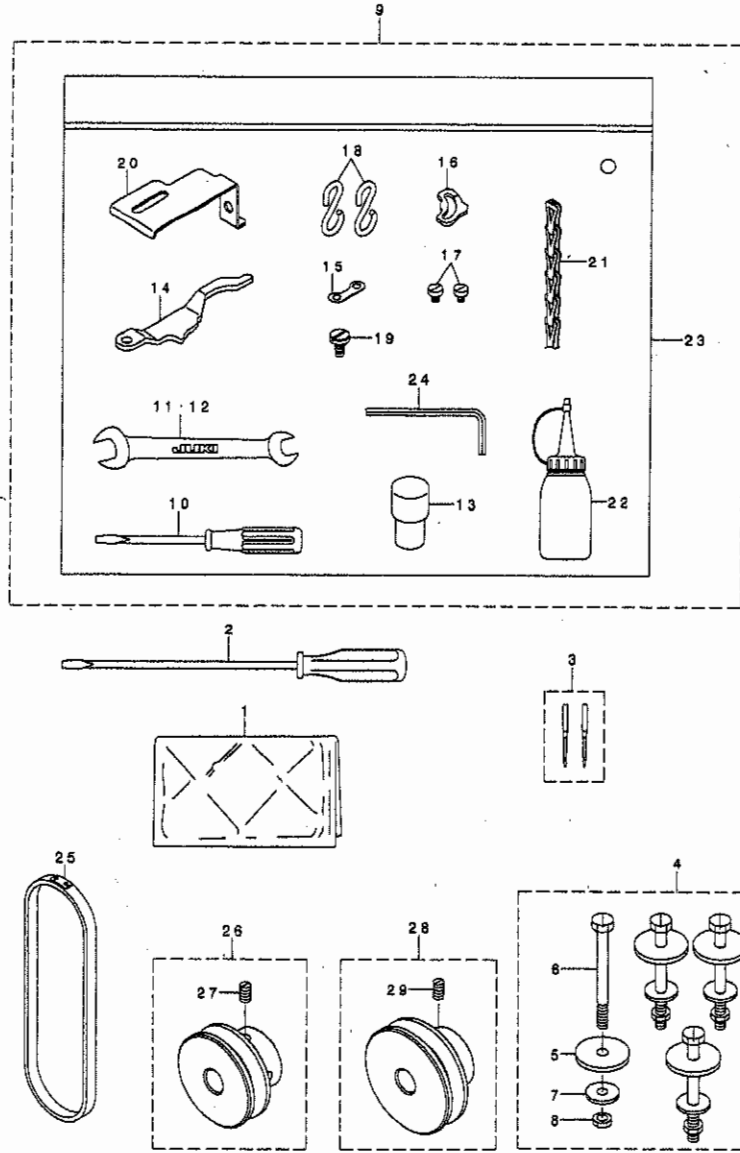
糸立装置関係



| REF. NO. | NOTE | PART NO. | DESCRIPTION | 品名 | Qty |
|----------|------|---------------|-------------------------------|---------------------|-----|
| 1 | | 260-08359 | THREAD STAND ASM. | 糸立装置(アス) | 1 |
| 2 | | 229-30406 | SPOOL REST ROD, UPPER | 糸立棒(上) | (1) |
| 3 | | 229-30309 | SPOOL REST ROD, LOWER | 糸立棒(下) | (1) |
| 4 | | 260-08300 | THREAD STAND HOLDER PLATE | 糸立装置板 | (1) |
| 5 | | 260-08409 | THREAD RAISING THREAD GUIDE A | 糸立上げガイド(A) | (1) |
| 6 | | 229-31307 | SPOOL REST ROD JOINT | 糸立棒ジョイント | (1) |
| 7 | | 229-31406 | SPOOL REST ROD RUBBER CAP | 糸立棒ゴムキャップ | (1) |
| 8 | | 229-31000 | SPOOL PIN | 糸立ピン | (1) |
| 9 | | 229-30903 | SPOOL REST CUSHION | 糸立装置クッション | (1) |
| 10 | | 229-31109 | SPOOL RETAINER | 糸立留め | (1) |
| 11 | | WP-1612616-SE | WASHER 16X30X2.6 | ワッシャー 16 | (2) |
| 12 | | NM-6160511-SE | NUT M16X1.5 | ナット M16X1.5 | (3) |
| 13 | | 260-08557 | SPOOL REST BRACKET ASM. | 糸立装置イ(イボ)ジョイント | (1) |
| 14 | | SM-4051405-SE | SCREW M5 L=14 | ナット M5 L=14 | (2) |
| 15 | | NM-6050001-SE | NUT M5 | ナット M5 | (2) |
| 16 | | NM-6050001-SE | NUT M5 | ナット M5 | (1) |
| 17 | | SM-9051080-SE | SCREW M6 L=10 | ナット M6 L=10 | (1) |
| 18 | | SM-9050813-SE | SCREW M5X0.8 L=6 | ナット M5X0.8 L=6 | (1) |
| 19 | | WP-0520656-SA | WASHER 5.2X9.5X0.6 | ワッシャー 5.2X9.5X0.6 | (1) |
| 20 | | WS-0510002-KN | SPRING WASHER | バネワッシャー 5.1X9.2X1.3 | (1) |
| 21 | | WS-0521010-KN | SPRING WASHER 5.2X8.2X1 | バネワッシャー 5.2X8.2X1 | (1) |
| 22 | | 229-31206 | THREAD GUIDE | 糸立 | (1) |

14. ACCESSORIE PARTS COMPONENTS

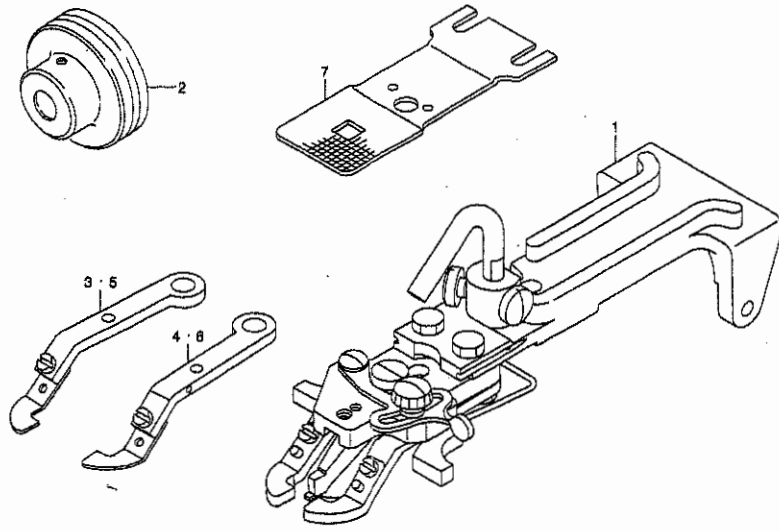
付属品関係



| REF. NO. | NOTE | PART NO. | DESCRIPTION | QTY |
|----------|------|---------------|--------------------------------|-----|
| 1 | | 229-33303 | VINYL COVER | 1 |
| 2 | | 229-33006 | SCREW DRIVER, LARGE | 1 |
| 3 | | NTQ-100B1502 | NEEDLE TQX1 #16-2 | 1 |
| 4 | | 400-41072 | BASE SCREW SET | 1 |
| 5 | | 400-38174 | RUBBER CUSHION | (4) |
| 6 | | SS-8156830-SP | SCREW 15/64-28 L=68 | (4) |
| 7 | | WP-0612056-SD | WASHER 8.1X18.6X2 | (4) |
| 8 | | NS-8150310-SP | NUT 15/64-28 | (4) |
| 9 | | 400-41073 | ACCESSORIE BAG_ASM. | 1 |
| 10 | | 229-33106 | SCREW DRIVER, MIDDLE | (1) |
| 11 | | 260-34702 | WRENCH | (1) |
| 12 | | 260-34801 | WRENCH | (1) |
| 13 | | 400-33327 | FRAME SUPPORT BAR | (1) |
| 14 | | 400-38459 | STITCH NUMBER LEVER | (1) |
| 15 | | 260-30809 | SPACER | (1) |
| 16 | | 400-40948 | THREAD BIND NOTCH | (1) |
| 17 | | SM-8040560-TP | SCREW MAXO.5 L=4.5 | (2) |
| 18 | | 131-80304 | S SHAPED HOOK | (2) |
| 19 | | SD-0600346-TP | SHOULDER SCREW D=6 H=3.4 | (1) |
| 20 | | 400-38205 | NEEDLE BAR GUARD | (1) |
| 21 | | 260-37503 | CHAIN | (1) |
| 22 | | J1067-000-000 | OILER | (1) |
| 23 | | 229-32800 | ACCESSORIE BAG | (1) |
| 24 | | 400-65591 | HEXAGONAL WRENCH KEY | (1) |
| 25 | | NTJ-VN00000C | V ROPE 820MM (LACING) | 1 |
| 26 | | 400-38286 | MOTOR PULLEY_50HZ_1300RPM_ASM. | 1 |
| 27 | | SM-8061010-TP | SCREW | (2) |
| 28 | | 400-38285 | MOTOR PULLEY_50HZ_1300RPM_ASM. | 1 |
| 28 | | SM-8061010-TP | SCREW | (2) |

15. SPECIAL ORDER SPEC COMPONENTS

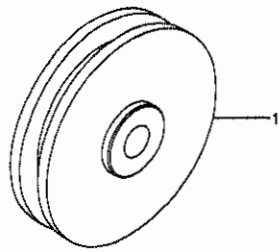
特別仕様関係



| REF. NO. | NOTE | PART NO. | DESCRIPTION | 数量 | Qty. |
|----------|------|-----------------|--------------------------------|----|------|
| 1 | | MA2-201010AO | PICK-UP DEVICE ASM. L BUTTON | 1 | 1 |
| 2 | | 400-38290 | MOTOR PULLEY 50HZ 1600RPM ASM | 1 | 1 |
| 3 | | B2558-372-OAA | BUTTON CLAMP JAW LEVER ASM., L | 1 | 1 |
| 4 | | B2558-372-OAA | BUTTON CLAMP JAW LEVER ASM., R | 1 | 1 |
| 5 | | D2558-372-CAA | BUTTON CLAMP JAW LEVER ASM., L | 1 | 1 |
| 6 | | D2558-372-CAA | BUTTON CLAMP JAW LEVER ASM., R | 1 | 1 |
| 7 | | D2529-373-C00-A | FEED PLATE, LARGE BUTTON | 1 | 1 |

16. SUBCLASS COMPONENTS (FOR MB-1373-11)

サブクラス関係 (MB-1373-11用)



| REF. NO. | NOTE | PART NO. | DESCRIPTION | 数量 | Qty. |
|----------|------|-----------|------------------------|----|------|
| 1 | | 400-41032 | LENGTHWISE FEED CAN(X) | 1 | 1 |