

ENGLISH

**SC-922
INSTRUCTION MANUAL**

CONTENTS

| | |
|---|-----------|
| I. SPECIFICATIONS | 1 |
| II. SET-UP | 1 |
| 1. Installing to the table..... | 1 |
| 2. Installing the motor unit..... | 4 |
| 3. Installing the control box..... | 4 |
| 4. Installing the belt..... | 5 |
| 5. Adjusting the pulley cover..... | 5 |
| 6. Installation and adjustment for the protecting pin and the belt slip-off preventing bracket..... | 6 |
| 7. Connecting the cords..... | 7 |
| 8. Attaching the connecting rod..... | 15 |
| 9. Setting procedure of the machine head..... | 16 |
| 10. Adjusting the machine head (direct-drive motor type sewing machine only)..... | 17 |
| III. FOR THE OPERATOR | 18 |
| 1. Operating procedure of the sewing machine..... | 18 |
| 2. Operation panel (CP-18)..... | 19 |
| 3. Operating procedure of the sewing pattern..... | 20 |
| (1) Reverse feed stitching pattern..... | 20 |
| (2) Overlapped stitching pattern..... | 21 |
| 4. One-touch setting..... | 22 |
| 5. Production support function..... | 24 |
| 6. Setting of functions of SC-922..... | 27 |
| 7. Function setting list..... | 29 |
| 8. Detailed explanation of selection of functions..... | 35 |
| 9. Automatic compensation of neutral point of the pedal sensor..... | 50 |
| 10. Selection of the pedal specifications..... | 50 |
| 11. Stitch alignment for the reverse stitching at the end of sewing (for heavy-weight materials)..... | 51 |
| 12. Input/output function of the hand switch and knee switch..... | 52 |
| 13. Use of the hand switch and the knee switch..... | 53 |
| 14. Setting of the auto lifter function..... | 54 |
| 15. Selecting procedure of the key-lock function..... | 55 |
| 16. Initialization of the setting data..... | 55 |
| 17. External input / output connector..... | 56 |
| 18. How to connect the material edge sensor..... | 57 |
| IV. MAINTENANCE | 58 |
| 1. Removing the rear cover..... | 58 |
| 2. Replacing the fuse..... | 59 |
| (1) PWR PCB..... | 59 |
| (2) CTL PCB..... | 59 |
| 3. Error codes..... | 60 |

I. SPECIFICATIONS

| | | | |
|-----------------------|---|---|---|
| Supply voltage | Single phase 100 to 120V | 3-phase 200 to 240V | Single phase 220 to 240V |
| Frequency | 50Hz/60Hz | 50Hz/60Hz | 50Hz/60Hz |
| Operating environment | Temperature : 0 to 40°C Humidity : 90% or less | Temperature : 0 to 40°C Humidity : 90% or less | Temperature : 0 to 40°C Humidity : 90% or less |
| Input | 310VA | 310VA | 310VA |

* The electric power is a reference value for the model equipped with the LU-1510N-7 machine head.
It differs by the selected machine head.

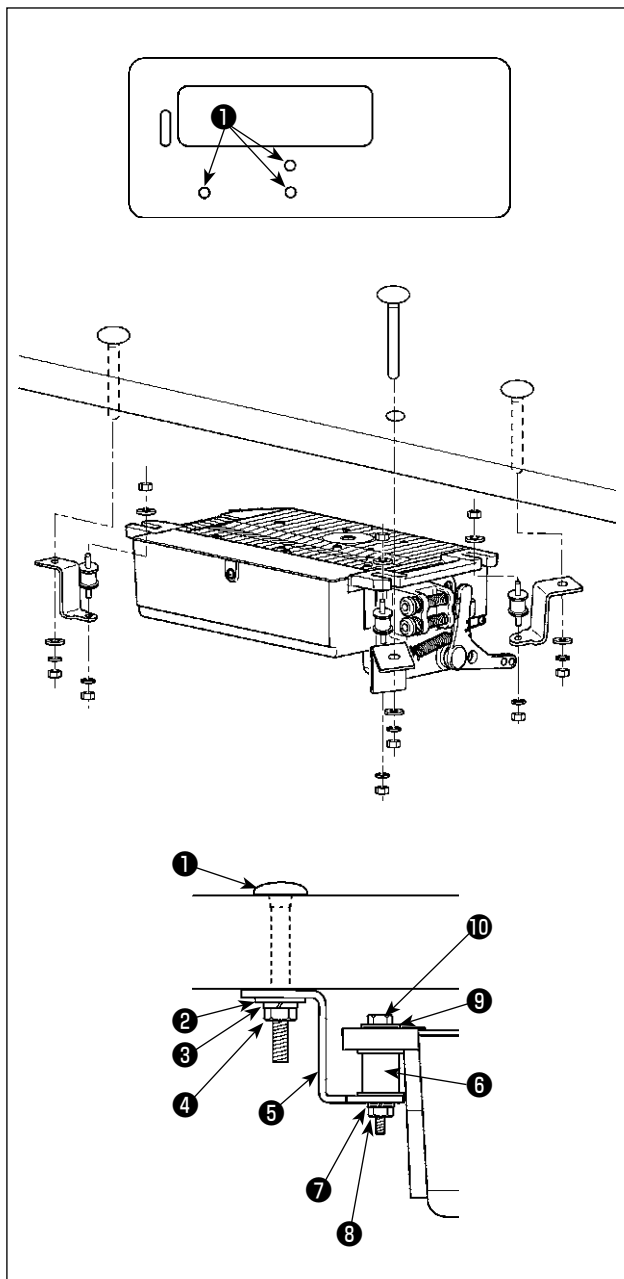
II. SET-UP

The SC-922 can be used with the direct-motor type machine head as a stand-alone control box. It can also be used with the belt-driven type machine head by installing on the motor unit.

This manual describes the procedure for the aforementioned two setup methods.

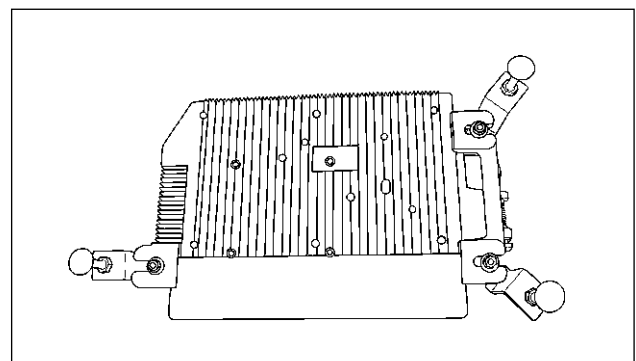
1. Installing to the table

To use the SC-922 with the direct-motor type machine head, install the control box on the table according to the following instruction.



This describes the procedure for installing the SC-922 on the table of the LU-2810-7 sewing machine. To use any other machine head, install the control box on the table referring to the Instruction Manual for the main body of the relevant sewing machine. Install the control box suspending plate on the table with mounting bolts supplied with the unit. At this time, insert the nuts and washers supplied with the unit as accessories as shown in the figure so that the motor unit can be securely fixed on the table.

- 1) Press three bolts ① supplied with the unit as accessories into the motor hanging bolt hole in the table and fix them.
- 2) Fix suspending plate ⑤ supplied with the unit on the three bolts with plain washer ②, spring washer ③ and nut ④.
- 3) Fix rubber ⑥ on the suspending plate with spring washer ⑦ and nut ⑧.
- 4) Hang one end of the control box on the threaded part of rubber on the side which has two bolts. Then, hang the other end of the control box on the opposite side.
- 5) Temporarily fix the other threaded part of rubber with plain washer ⑨ and nut ⑩. In this case, the spring washer is not used.
- 6) Adjusting the installing position of the control box. Then, securely tighten the nuts.



[How to install the reactor box]

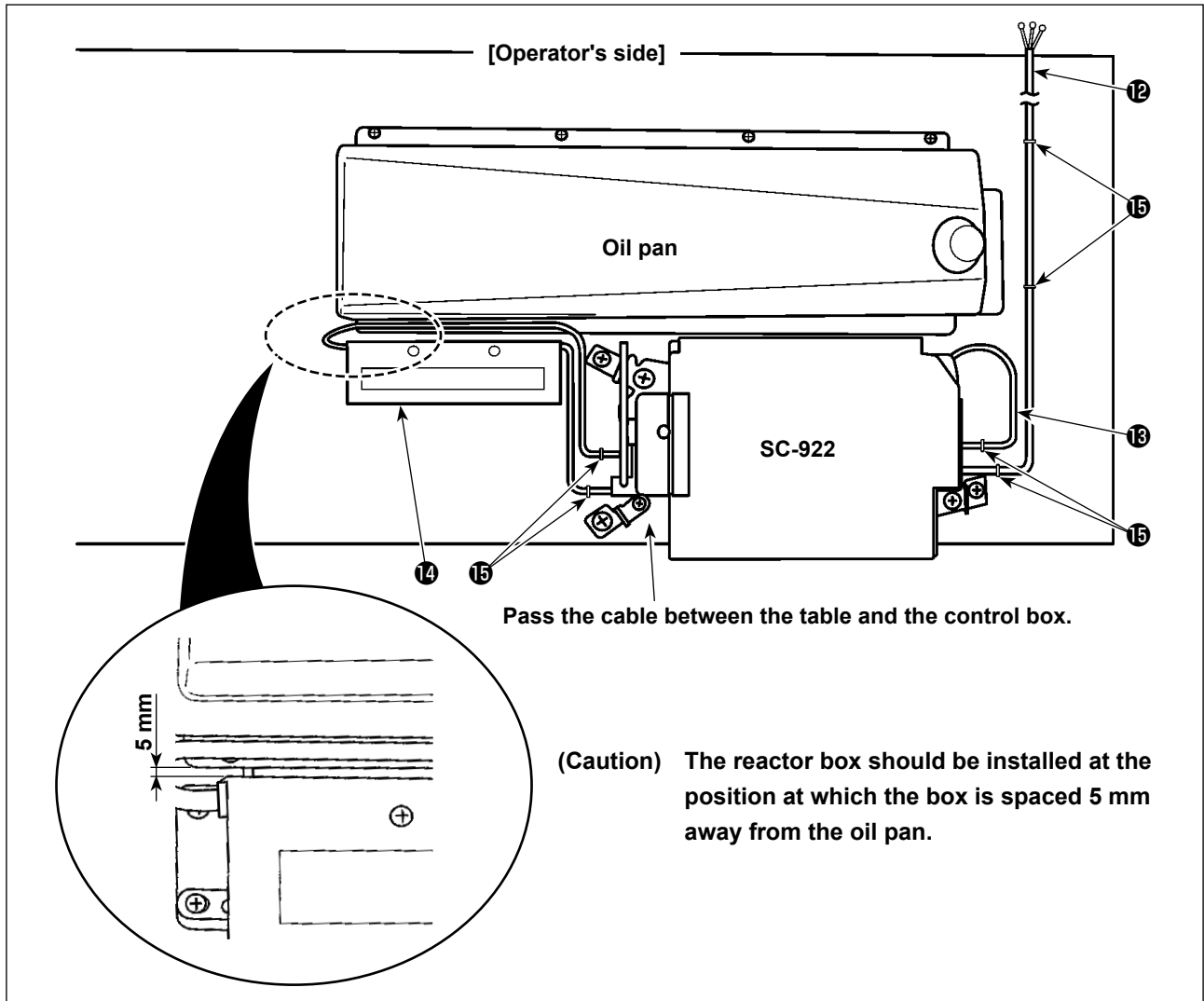


WARNING :

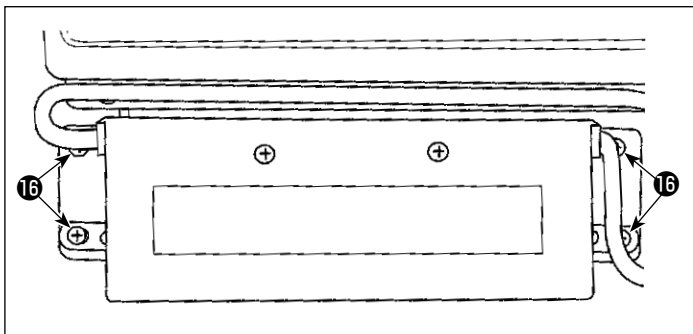
Be sure to install the reactor box after turning the power OFF.

* For the EU-type models, install the reactor box that is supplied with the sewing machine.

• For the LU-2810-7 type table

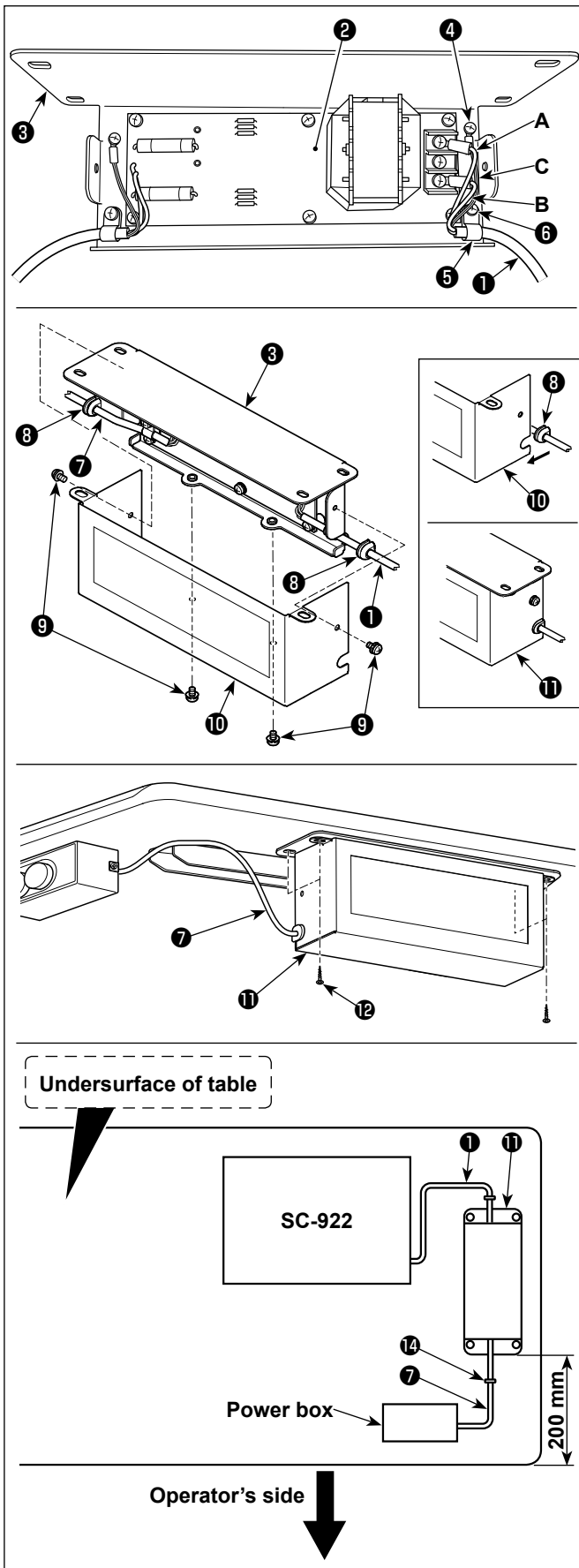


- 1) Connect the reactor box input cord 12 to the power switch.
- 2) Connect SC-922 power cord 13 to reactor box 14 .
- 3) Secure the cords with staples 15 .



- 4) Install reactor box 14 to the table at the location as shown in the figure using four wood screws 16 supplied with the unit.
- 5) Fix input/output cables 1 and 7 of reactor box 14 on the table using cord staples 15 supplied with the unit. At this time, take care not to allow the input/output cords to intersect with each other.

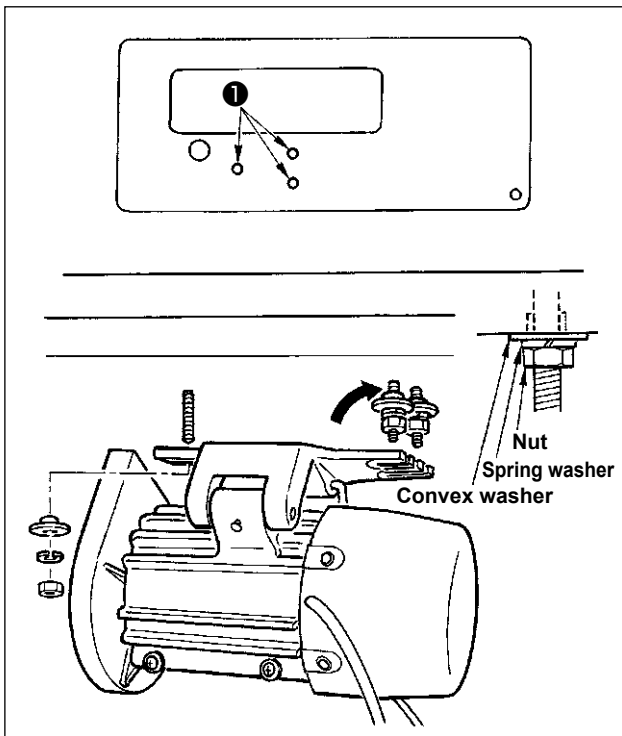
• For the tables other than the LU-2810-7 type one



- 1) Connect the terminals of power cord ① of the SC-922 to reactor-box PCB asm. ② and to reactor box mounting plate ③ .
Connect brown wire **A** to the first connector and blue wire **B** to the third connector respectively from the top of terminal block on the reactor box PCB asm. using screws. Connect green/yellow wire **C** to reactor box mounting plate ③ with earth setscrew ④ .
- 2) Attach cable clip ⑤ to the power cord of SC-922. Attach the power cord together with the cable clip to reactor box mounting plate ③ with cable clip setscrew ⑥ .
- 3) Attach cord bushes ⑧ to input/output cables ① and ⑦ of the reactor box.
- 4) Attach reactor box cover ⑩ to reactor box mounting plate ③ with four reactor-box cover setscrews ⑨ .
At this time, fix cord bushes ⑧ attached to input/output cables ① and ⑦ in the concave section on reactor box cover ⑩ to eliminate a gap between reactor box ⑪ and cover ⑩ .
- 5) Install reactor box ⑪ on the table stand with four accessory wood screws ⑫ at the position that is approximately 200 mm away from the front end of table stand.
Adjust the installing position according to the size of table stand so that the reactor box does not protrude from the edge of table stand.
- 6) Fix input/output cables ① and ⑦ of reactor box ⑪ on the table stand using accessory cord staple ⑭ .
At this time, take care not to cross the input- and output-cables.

2. Installing the motor unit

To use the SC-922 with the belt-drive type machine head, install the control box on the motor unit according to the following instruction.

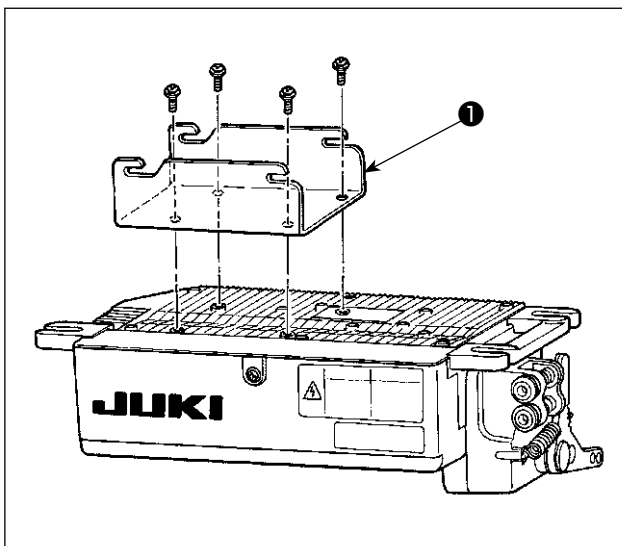


Install the motor unit on the table with the fitting bolt asm. supplied with the unit as accessories.

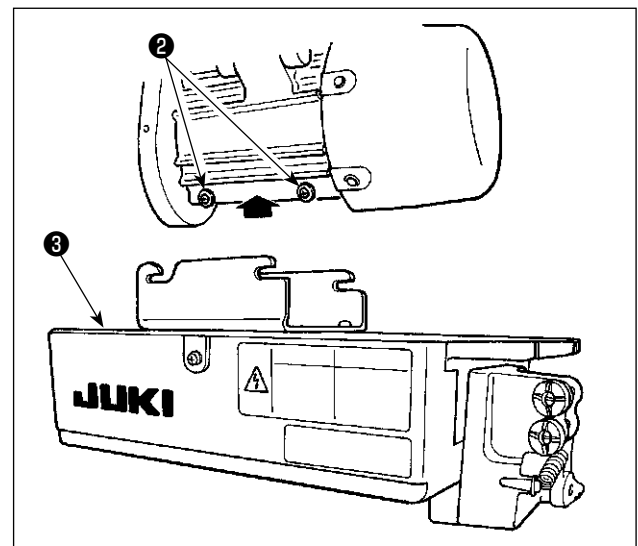
At this time, insert the nuts and washers supplied with the unit as accessories as shown in the figure so that the motor unit can be securely fixed on the table.

- 1) Press three bolts ❶ supplied with the unit as accessories into the motor hanging bolt hole in the table and fix them.
- 2) Temporarily tighten convex washer, spring washer and nut on the side where two bolts are attached.
- 3) Hang the motor unit to the washer which has been temporarily tightened, and attach convex washer, spring washer and nut to the other bolt on the opposite side.
- 4) After adjusting the installing position of the motor, securely tighten the respective nuts.

3. Installing the control box

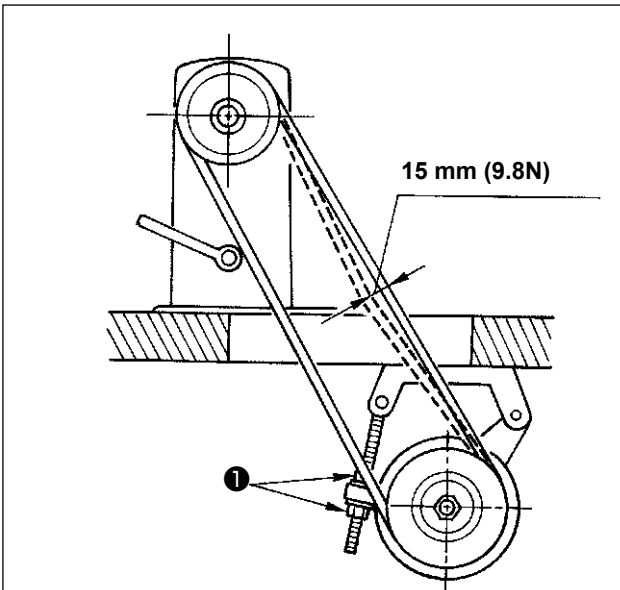


- 1) Attach bracket ❶ supplied with the unit using four supplied screws (M5 x 10) as shown in the figure.



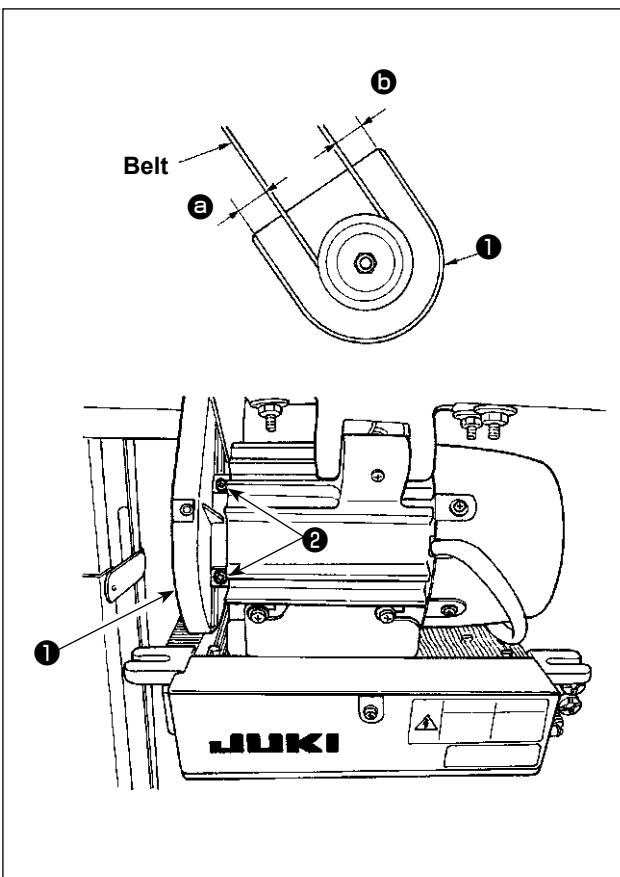
- 2) Loosen four screws ❷ supplied with the motor unit as accessories, tighten screws ❷ after hanging control box unit ❸ to the screws, and fix control box unit ❸.

4. Installing the belt



- 1) The belt distance, between sewing machine pulley and motor pulley, must be parallel.
- 2) The belt tension should be adjusted by turning the tension adjust nuts ❶ to change height of the motor, so that the belt sinks down by about 15 mm (9.8N) when it is depressed by band at the center of the belt span.
If the belt tension is not tight, speed is unstable at low-speed or medium-speed operation, and the needle will not stop exactly in position.

5. Adjusting the pulley cover



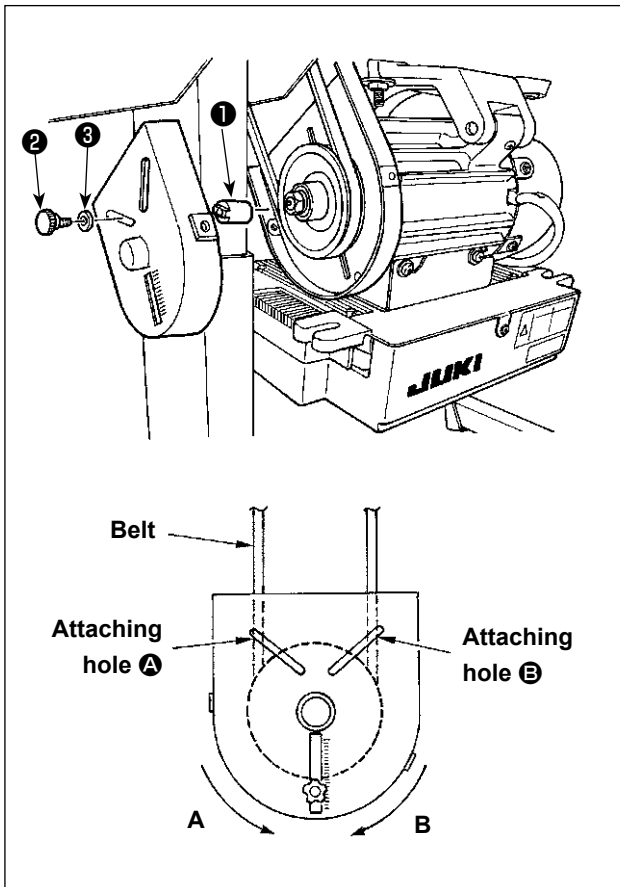
- 1) After adjusting the belt tension, adjust the pulley cover ❶ so that the clearances between the belt and the pulley cover ❶, a and b should be the same.
- 2) After the completion of adjustment, tighten screws ❷ located on the side of pulley cover ❶ and securely fix the pulley cover ❶ so that it does not slip out of position.

6. Installation and adjustment for the protecting pin and the belt slip-off preventing bracket



WARNING :

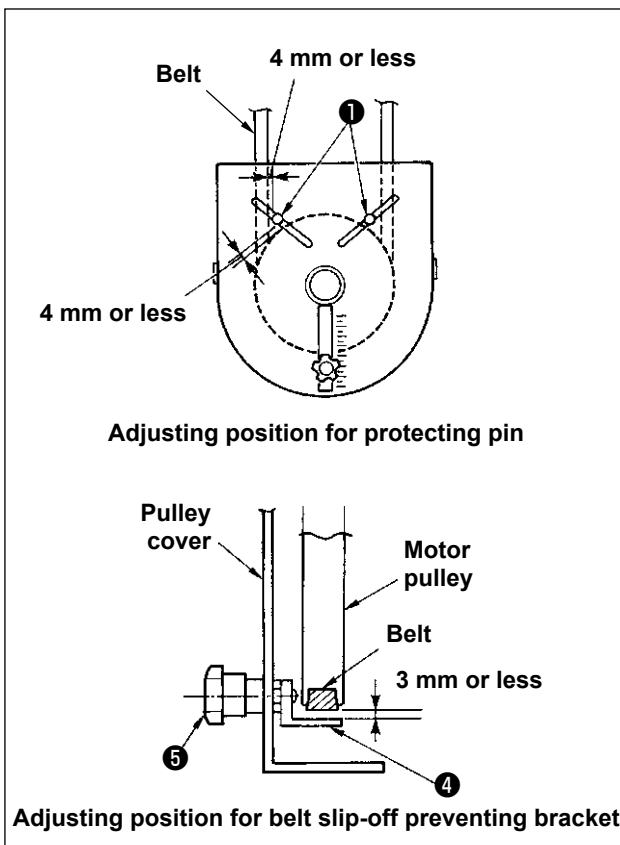
To protect against possible personal injury due to abrupt start of the machine, be sure to start the following work after turning the power off and ascertaining that the motor is at rest.



- 1) Attaching hole for the protecting pin
To attach protecting pin ①, select either attaching hole ④ or attaching hole ⑤ in the motor pulley cover in accordance with the direction of rotation of the sewing machine and attach the pin in the selected hole using screw ② and washer ③ supplied with the unit.
 - a) If the motor shaft rotates in direction A in the figure on the above:
→ Attach protecting pin ① in attaching hole ④.
 - b) If the motor shaft rotates in direction B in the figure on the above:
→ Attach protecting pin ① in attaching hole ⑤.

- 2) Adjustment for the protecting pin and the belt slip-off preventing bracket
Adjust the position of protecting pin ① and belt slip-off preventing bracket ④ in accordance with the figure on the left.

- a) Adjusting the protecting pin
Loosen screw ② and adjust so that protecting pin ① is positioned at the location indicated in the figure on the left.
- b) Adjusting belt slip-off preventing bracket
Loosen screw ⑤ and adjust so that belt slip-off preventing bracket ④ is positioned at the location indicated in the figure on the left.
If protecting pin ① is not properly adjusted, it is possible that your fingers may be caught in the clearance provided between the pulley and the belt resulting in injury. If belt slip-off preventing bracket ④ is not properly adjusted, it is possible to allow the belt to slip off causing safety hazard.



- 3) After the adjustment, tighten screws ② and ⑤ so as to secure protecting pin ① and belt slip-off preventing bracket ④ to prevent these components to fluctuate because of vibration.
- 4) Before starting the operation of the sewing machine, ascertain that protecting pin ① and belt slip-off preventing bracket ④ do not come in contact with the pulley and the belt.

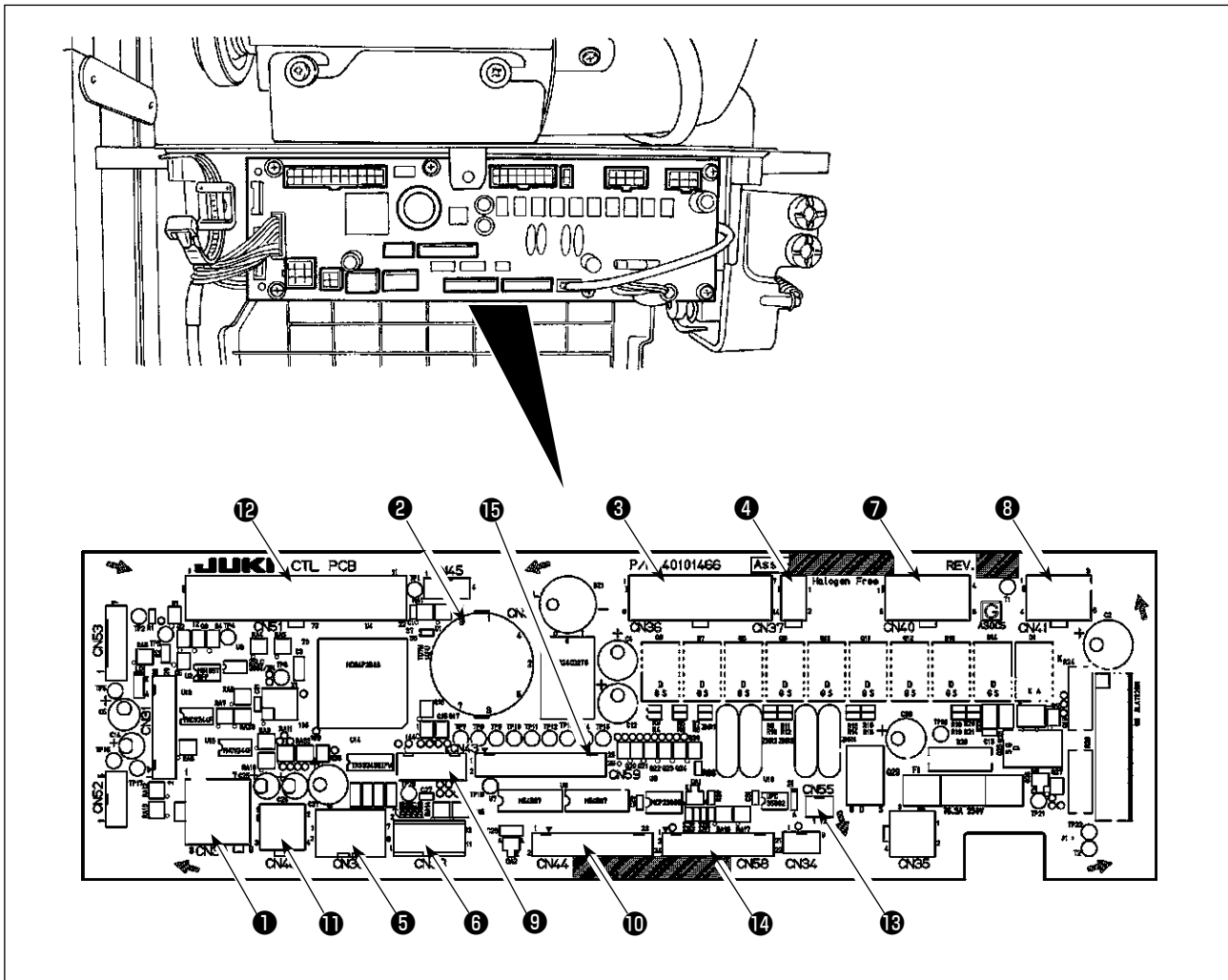
7. Connecting the cords



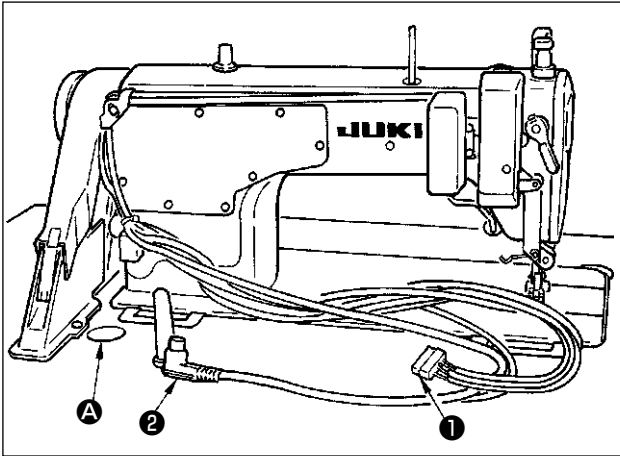
WARNING :

- To prevent personal injury caused by abrupt start of the sewing machine, carry out the work after turning OFF the power switch and a lapse of 5 minutes or more.
- To prevent damage of device caused by maloperation and wrong specifications, be sure to connect all the corresponding connectors to the specified places.
- To prevent personal injury caused by maloperation, be sure to lock the connector with lock.
- As for the details of handling respective devices, read carefully the Instruction Manuals supplied with the devices before handling the devices.

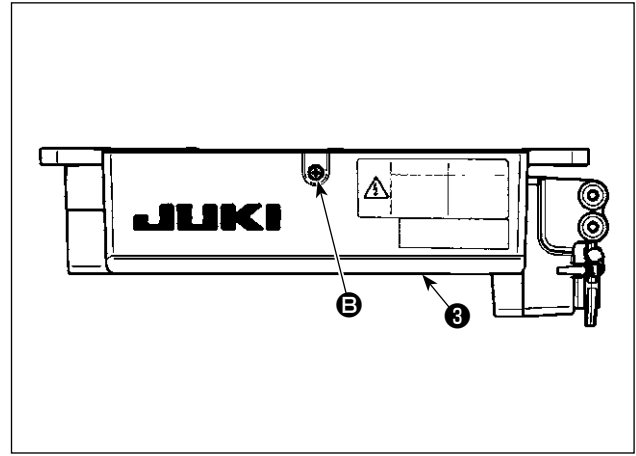
Following connectors are prepared on the SC-922. Connect the connectors coming from the machine head to the corresponding places so as to fit the devices mounted on the machine head.



- | | | | |
|--------|--|--------|--|
| ① CN30 | Motor signal connector | ⑨ CN43 | Synchronizer (+12V type) : It detects the needle bar position. |
| ② CN33 | Needle bar position detector (+5V type): It detects the needle bar position. | ⑩ CN44 | Hand switch: Hand switch other than the touch-back switch. |
| ③ CN36 | Machine head solenoid: Provided with solenoids for thread trimming, reverse feed stitching, one-touch type reverse feed switch. | ⑪ CN48 | Safety switch (standard) : When tilting the sewing machine without turning the power OFF, the operation of the sewing machine is prohibited so as to protect against danger. OPTION switch: Input function can be changed by changing over the internal function with this switch. |
| ④ CN37 | Presser foot lifting solenoid (Only for the automatic presser foot lifter type) | ⑫ CN51 | Extended input/output connector |
| ⑤ CN38 | Operation panel: Various kinds of sewing can be programmed. (For details of the operation panel other than CP-18, refer to the Instruction Manual for the panel to be used.) | ⑬ CN55 | LED lamp (+5 V type): The LED lamp can be connected optionally. (Refer to "III-4. One-touch setting" p.22 for how to adjust the quantity of light.) |
| ⑥ CN39 | Standing machine pedal : JUKI standard PK70, etc. Sewing machine can be controlled with external signals. | ⑭ CN58 | Extended input connector (for the sensor input, etc.) |
| ⑦ CN40 | Single-needle control solenoid: It is used with the LH-4100 sewing machine provided with a single-needle control device. | ⑮ CN59 | Extended output connector (for the solenoid valve output) |
| ⑧ CN41 | Stepping motor: It is used only with the DLU-5494N-7. | | |

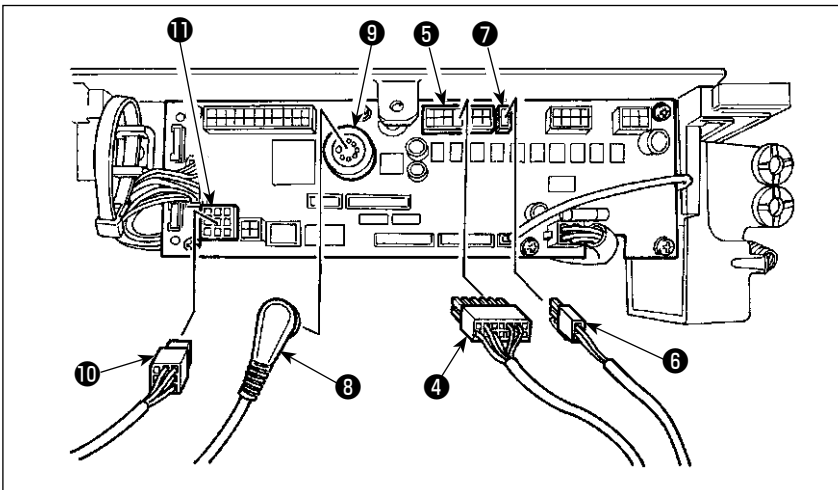


1) Pass cords ① of the thread trimmer solenoid, reverse feed solenoid and detector cords ② through table hole ① and route them under the table. (Detector cord ② is not provided for the direct-motor type machine head.)



2) Loosen screw ① in cover ② with a screwdriver to open the cover.
For the direct-motor type machine head, proceed to step 4).

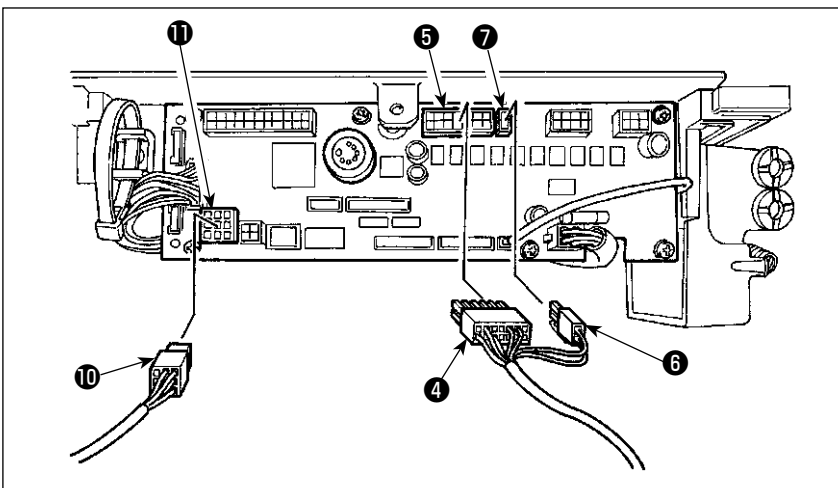
[For the belt-drive type machine head]



3) Connect 14P code ④ coming from the machine head to connector ⑤ (CN36).
When the optional AK device is attached, connect 2P connector ⑥ coming from the AK device to connector ⑦ (CN37). Insert connector ⑧ coming from the detector into connector ⑨ (CN33).
Connect 9P connector ⑩ coming from the motor to connector ⑪ (CN30) on the circuit board.
Proceed to step 5).

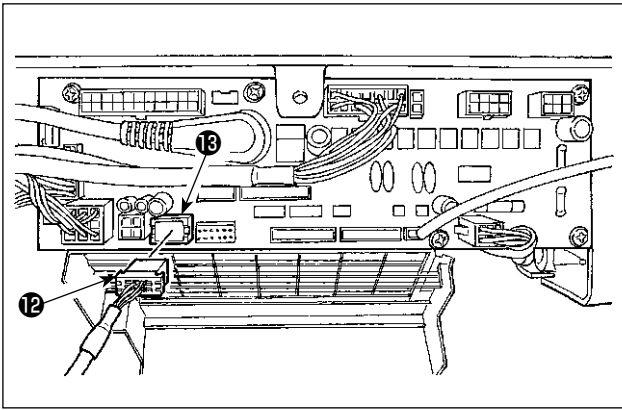
(Caution) When using the AK device, set whether to use the AK device after confirming how to select the auto-lifter function. (Refer to "III-14. Setting of the auto lifter function" p.54.)

[For the direct-motor type machine head]



4) Connect 14P cord ④ coming from the machine head to connector ⑤ (CN36). Connect 2P connector ⑥ to connector ⑦ (CN37).
Connect 9P connector ⑩ coming from the motor to connector ⑪ (CN30) on the circuit board.
Proceed to step 5).

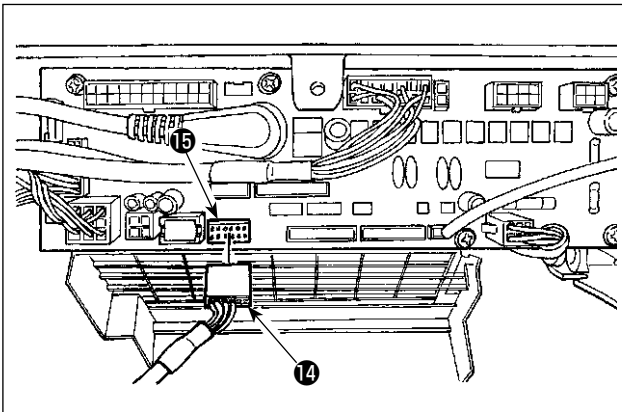
[Connecting the connector for the operation panel]



- 5) The connector for the operation panel is provided. Paying attention to the orientation of the connector 12, connect it to connector (CN38) 13 located on the circuit board. After connecting, securely lock the connector.

(Caution) Be sure to turn OFF the power before connecting the connector.

[Connection of the pedal of standing-work machine]

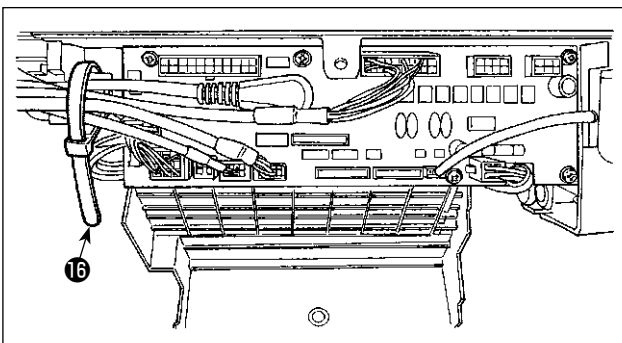


- 6) To use the pedal unit with the sewing machine for standing work, insert PK70 connector 14 into connector 15 (CN39: 12P) on the PCB.

(Caution) Be sure to turn OFF the power before connecting the connector.

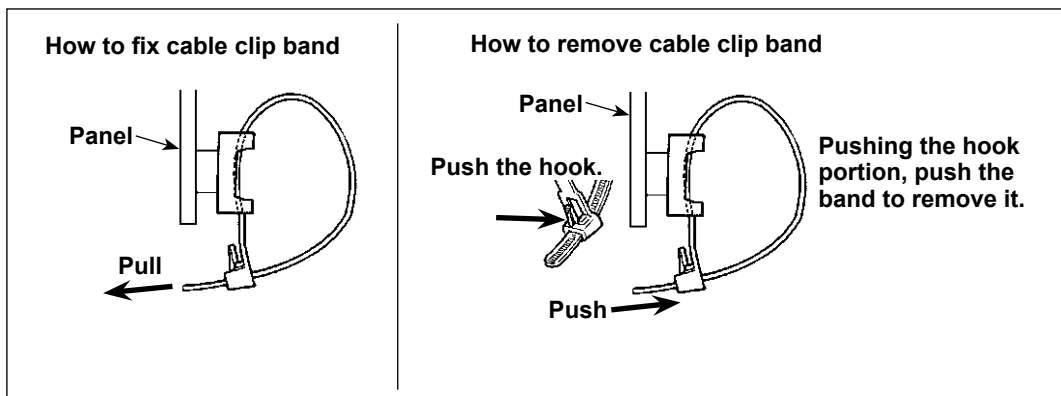
(Caution) Be sure to securely insert the respective connectors after checking the inserting directions since all connectors have the inserting directions. (When using a type with lock, insert the connectors until they go to the lock.) The sewing machine is not actuated unless the connectors are inserted properly. In addition, not only the problem of error warning or the like occurs, but also the sewing machine and the control box are damaged.

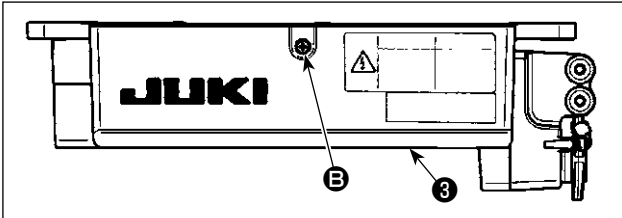
[How to bundle all cords]



- 7) After inserting the connector, put all cords together with cable clip band 16 located on the side of the box.

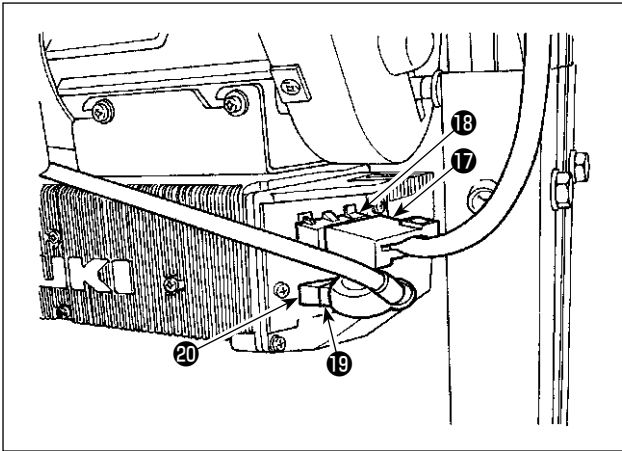
(Caution) 1. Fix the cord clamp and the cable clip band following the attaching procedure.
2. When removing the connector, remove it from the wire saddle and remove it while pressing the hook of the cable clip band.





8) Close cover 3 and fix the cover by tightening screw B with a screwdriver.

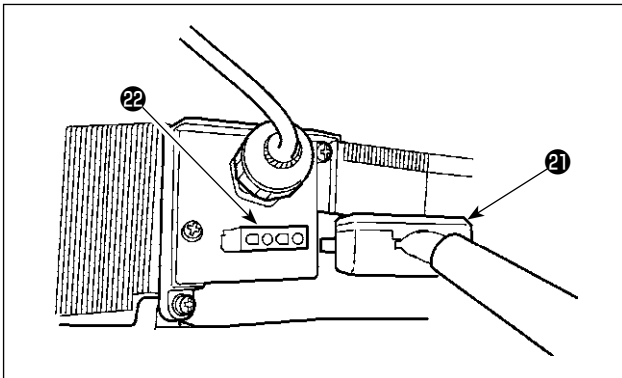
(Caution) Take care not to allow the cord to be caught under cover 3 .



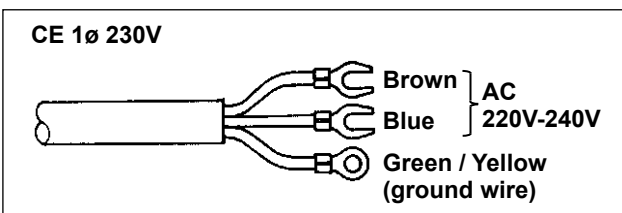
9) Connect connector 4P 17 to connector 18 located on the side of the box.

10) Connect motor output cord 19 of the power switch to connector 20 .

[For CE specifications only]



Connect motor output cord 21 to connector 22 located on the side of the box.



Installing power switch

Connect power supply cord to the power switch.

[CE specifications]

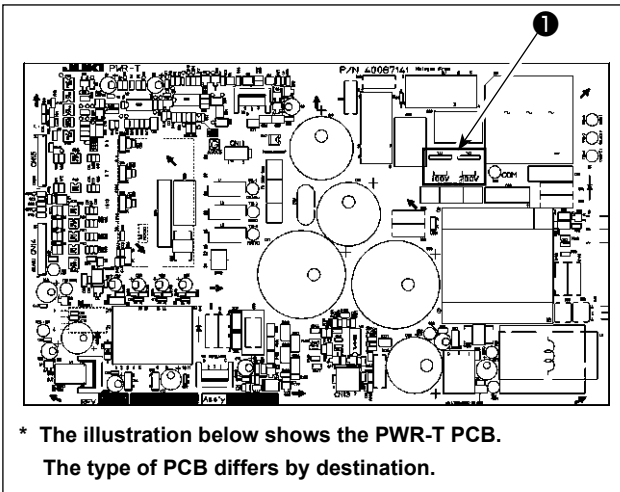
Single phase 230V : Power supply cords : Brown, Blue, and green/yellow (ground wire)

[Changing over the voltage between 100 V and 200 V]



WARNING :

To prevent personal injuries caused by electric shock hazards or abrupt start of the sewing machine, carry out the work after turning OFF the power switch and a lapse of 5 minutes or more. To prevent accidents caused by unaccustomed work or electric shock, request the electric expert or engineer of our dealers when adjusting the electrical components.

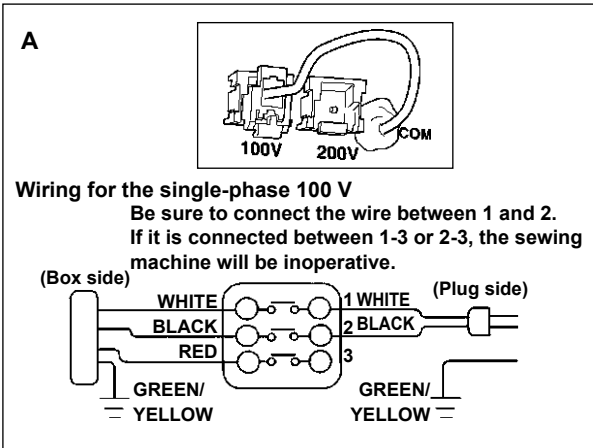


By making the following two changes, the SC-922 can be used with three different power supplies, i.e., single-phase 100 - 120 V, single-phase 200 to 240 V and 3-phase 200 to 240 V.

* Only the control box which uses PWR-T PCB can be changed.

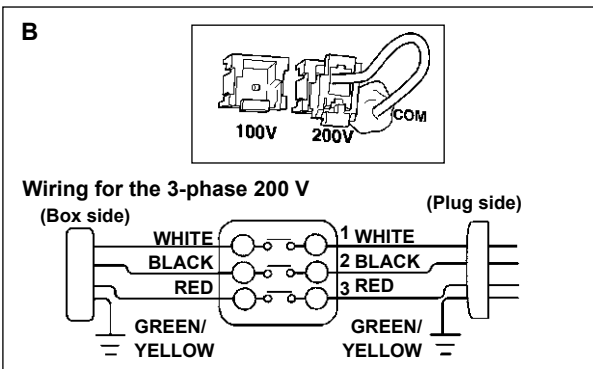
- ① Replacement of the power cords
- ② Changing-round of connector ❶ on the PWR PCB
 - 1) Turn OFF the power with the power switch after checking that the sewing machine has stopped.
 - 2) Draw out the power cord from the power receptacle after checking that the power switch has been turned OFF. Then wait for 5 minutes or more.
 - 3) Loosen the screws which are used to secure the rear lid of the control box cover. Carefully open the rear cover.
 - 4) Changing procedure of the power voltage

(Caution) If the supply power changing is carried out in a wrong manner, the control box can break. Be extremely careful when taking the supply voltage changing procedure.



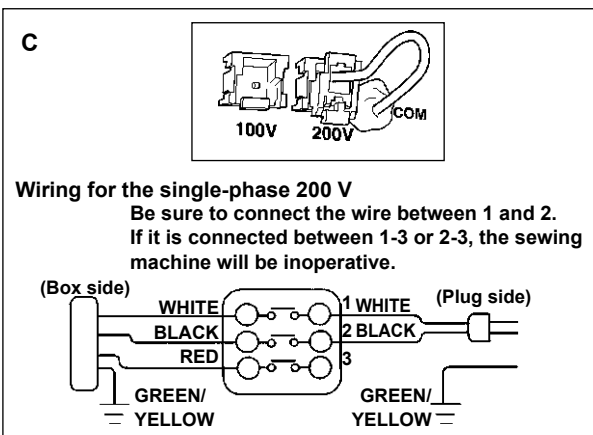
A. To change over the supply voltage from 200 - 240 V to 100 - 120 V

- Change the power cord with the JUKI genuine cord with the part number (M90355800A0). Change the earth cord with the one with the part number (M90345800A0).
- Change over supply voltage changeover connector ❶ mounted on the PWR PCB with the connector for 100 V.
- Connect the crimp style terminal of AC input cord to the power plug as shown in the figure A.

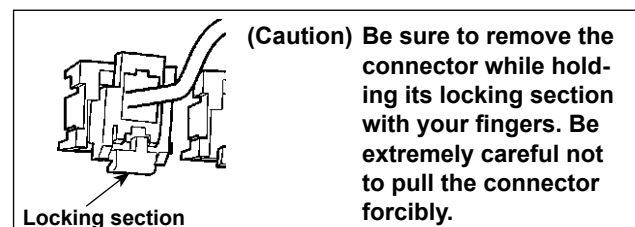


B,C. To change over the supply voltage from 100 - 120 V to 200 - 240 V

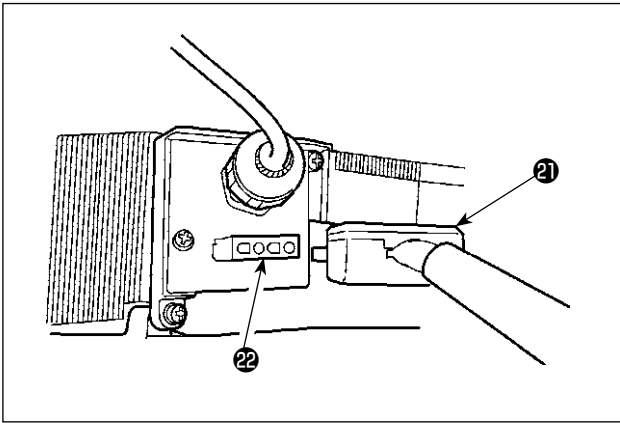
- Change the power cord with the JUKI genuine cord with the part number (M90175800A0).
- Change over supply voltage changeover connector ❶ mounted on the PWR PCB with the connector for 200 V.
- Connect the crimp contact of the AC input cord to the power plug as illustrated in Fig. B for the 3-phase power supply or as illustrated in Fig. C for the single-phase one.



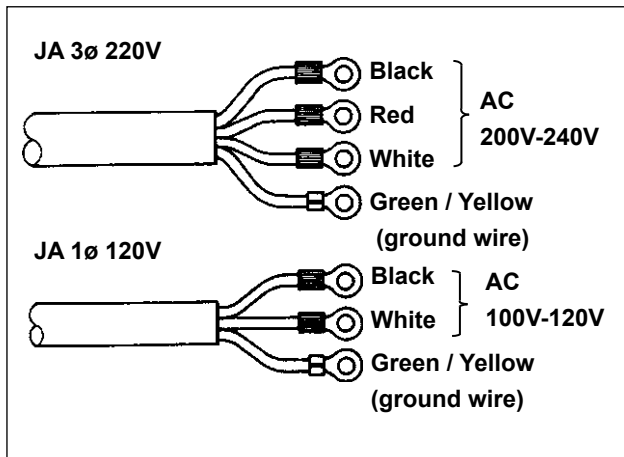
- 5) Before closing the rear lid of the cover, ascertain again that the relevant parts have been correctly changed without fail.
- 6) Close the read lid while pressing it, taking care not to allow the wiring to be caught between the read lid of the cover and the main body of the control box. Then, secure the lid with the screws.



[In case of using the power switch for LA]



Connect motor output cord ②① to connector ②② located on the side of the box.



Installing power switch

Connect power supply cord to the power switch.

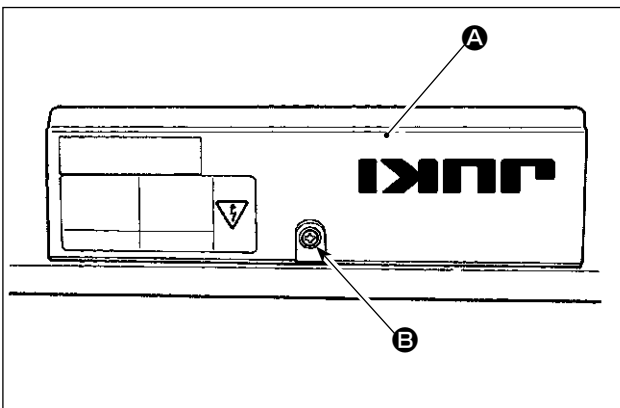
[JA specifications]

3-phase 220 V : Power supply cords : black, white, red and green/yellow (ground wire)

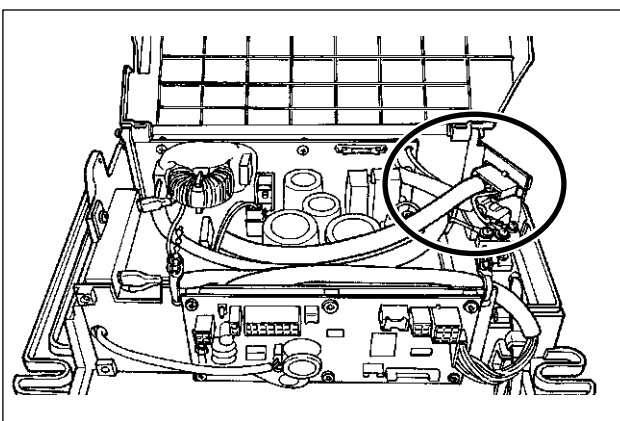
Single phase 120V : Power supply cords : black, white, and green/yellow (ground wire)

When the metallic conduit is used, be sure to change over the power cord section following the steps of procedure described below.

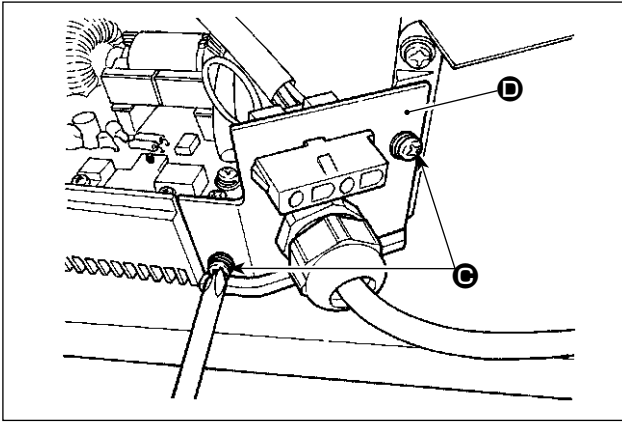
(Caution) Be sure to carry out this procedure before installing the control box on the machine table.



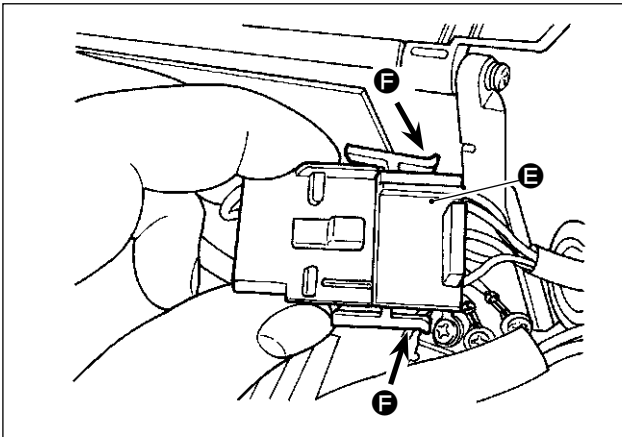
- ① Place the control box with its frame side down on the machine table as illustrated in the sketch.
- ② Loosen screw ② in underside cover ① to open the cover.



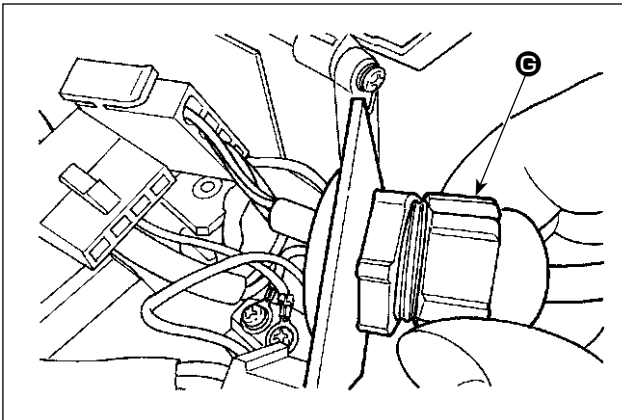
- ③ Change over the cord shown in the red-line circle following the steps of procedure described below.



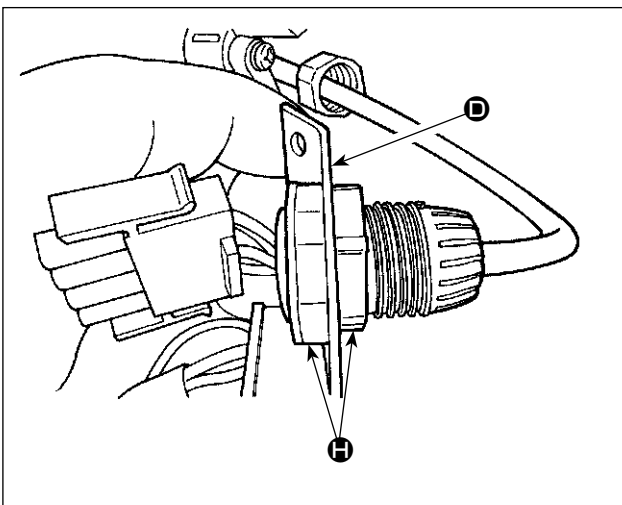
- ④ Remove two screws **C** to remove clamping plate **D** from the main body of the control box.



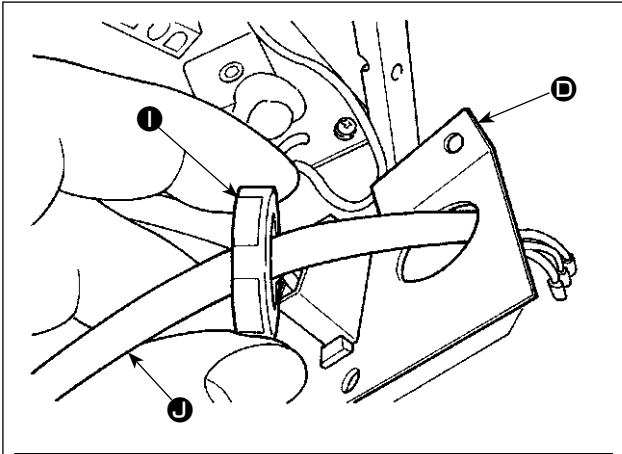
- ⑤ Remove connector **E** while holding its locking section **F** with your fingers.



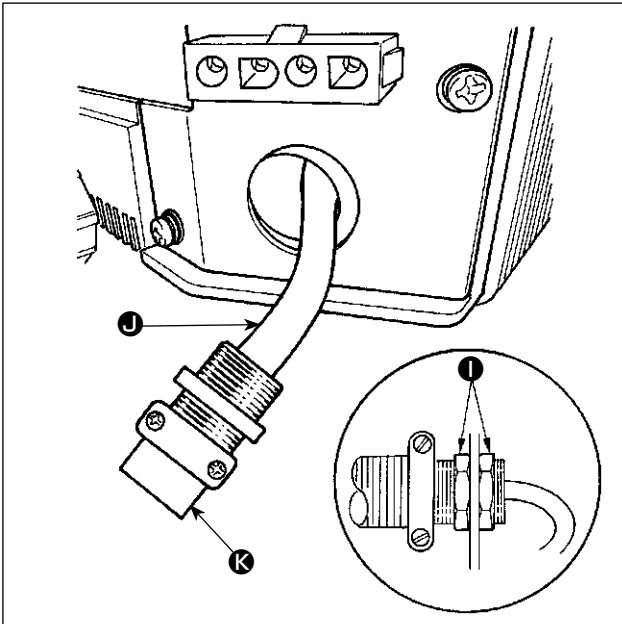
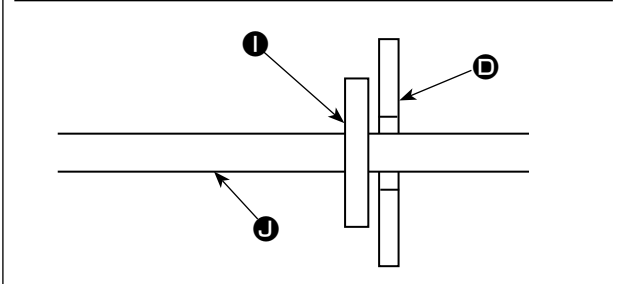
- ⑥ Turn connector **G** to remove the cord locking section.



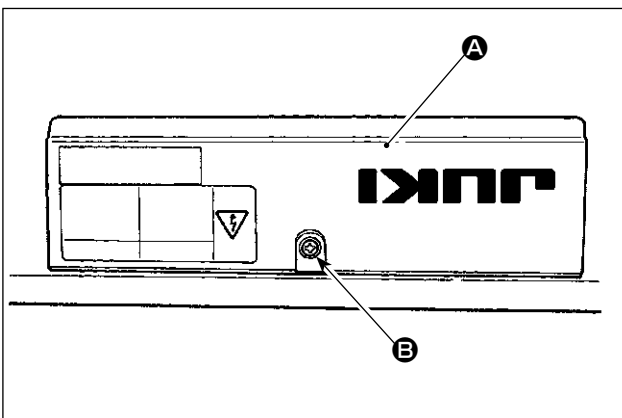
- ⑦ Loosen nut **H** to remove the connector from clamping plate **D**.



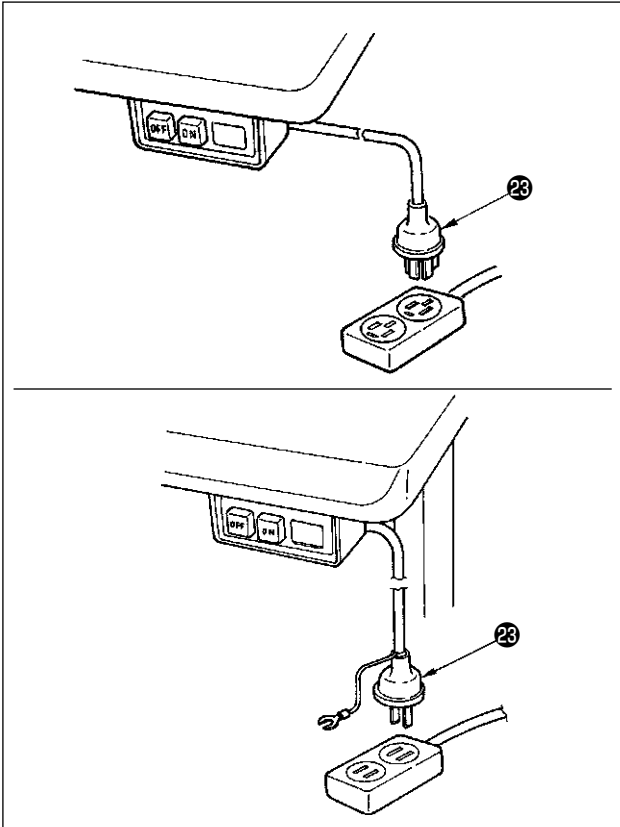
- ⑧ Put locknut **I** on the power cord and draw out the cord **J** from inside clamping plate **D**.



- ⑨ Install clamping plate **D** back to the control box.
 ⑩ Pass power cord **J** through conduit **K**.
 ⑪ Fix conduit **K** with locknuts **I** with clamping plate **D** placed between the locknuts.



- ⑫ Close underside cover **A** and secure the cover with screw **B**.



11) Make sure that the power switch is turned OFF and insert power supply cord coming from the power switch into the power plug socket.

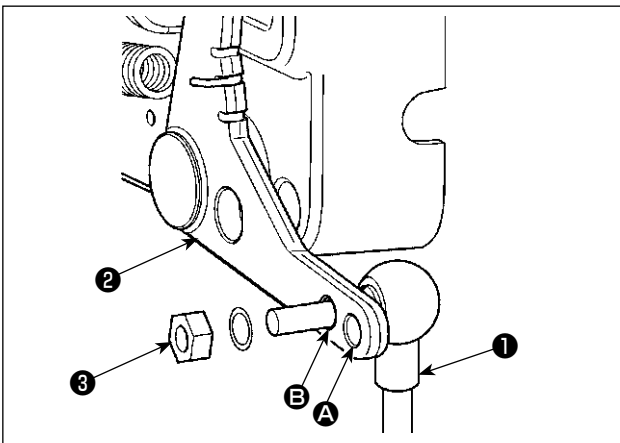
- (Caution)
1. Top end of power supply cord varies in accordance with destination or supply voltage. Check again the supply voltage and the voltage designated on the control box when installing the switch.
 2. Be sure to prepare power plug ② conformed to the safety standard.
 3. Be sure to connect the ground wire (green / yellow).

8. Attaching the connecting rod



WARNING :

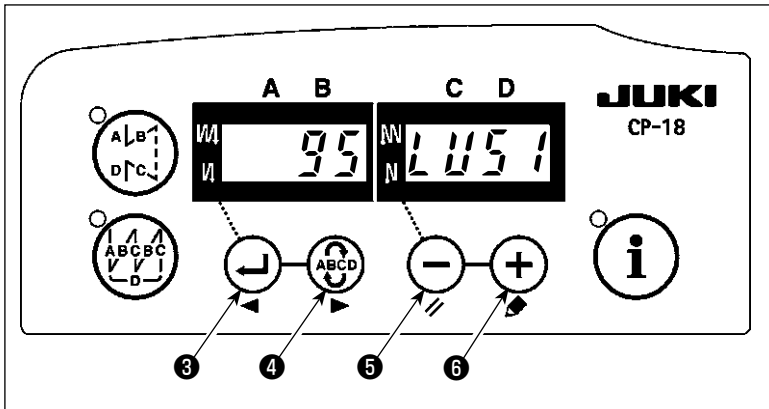
To protect against possible personal injury due to abrupt start of the machine, be sure to start the following work after turning the power off and a lapse of 5 minutes or more.



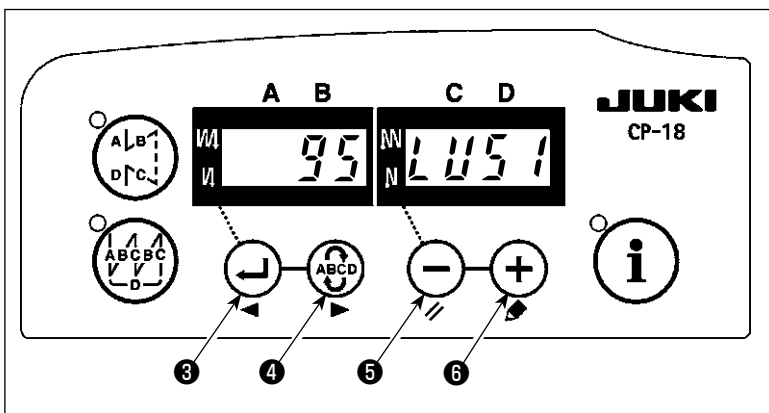
- 1) Fix connecting rod ① to installing hole ② of pedal lever ② with nut ③ .
- 2) Installing connecting rod ① to installing hole ① will lengthen the pedal depressing stroke, and the pedal operation at a medium speed will be easier.

9. Setting procedure of the machine head

(Caution) For the operation panel other than CP-18, refer to the Instruction Manual for the operation panel to be used for the setting procedure of the machine head.

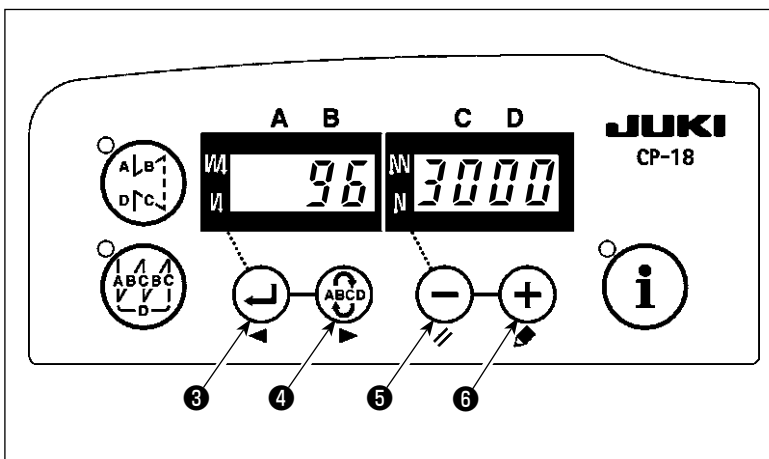


- 1) Refer to "[III-6. Setting of functions of SC-922](#)" p.27, and call the function setting No. 95.



- 2) The type of machine head can be selected by pressing **(-)** switch **5** (**(+)** switch **6**).

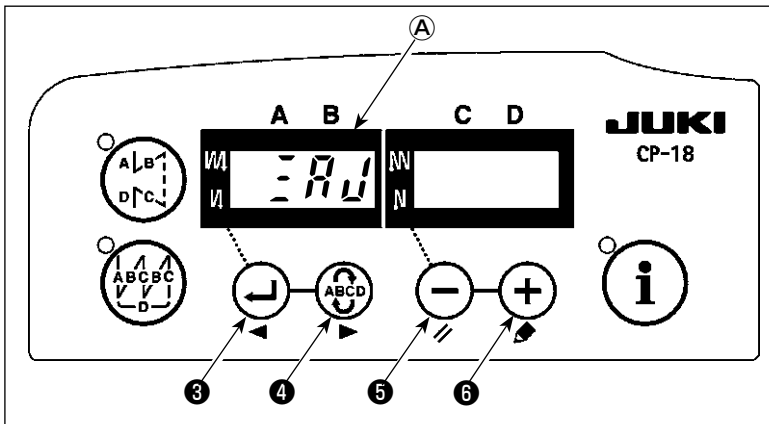
* Refer to the "List of machine heads" on the separate sheet or the Instruction Manual for the machine head of your sewing machine for the type of the machine head.



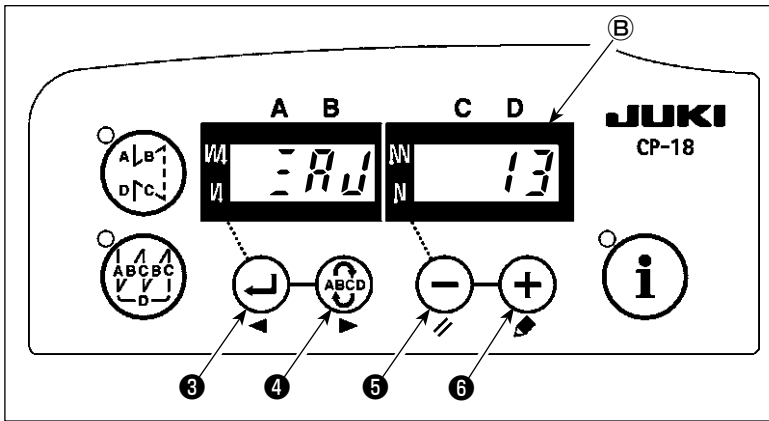
- 3) After selecting the type of machine head, by pressing **(←)** switch **3** (**(ABCD)** switch **4**), the step proceeds to 94 or 96, and the display automatically changes to the contents of the setting corresponding with the type of machine head.

10. Adjusting the machine head (direct-drive motor type sewing machine only)

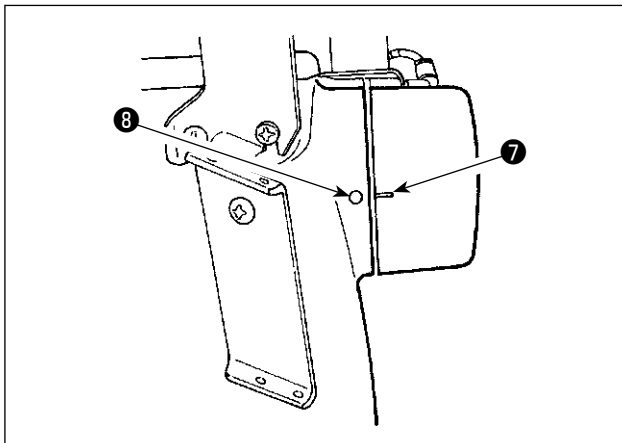
- (Caution) 1. When the slip between the marker dot on the handwheel and the concave of the cover is excessive after thread trimming, adjust the angle of the machine head by the operation below.
2. The machine head parts of which are connector to CN33 or CN43 does not need adjustment. (Refer to "II-7. Connecting the cords" p.7.)



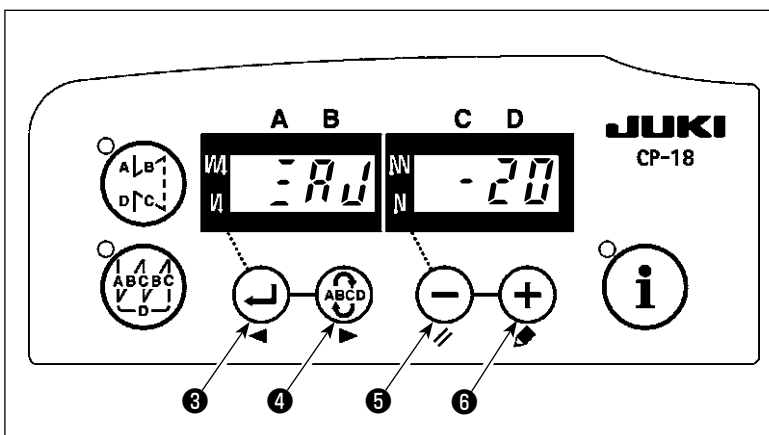
- 1) Simultaneously pressing switch and switch , turn ON the power switch.
- 2) is displayed () in the indicator and the mode is changed over to the adjustment mode.



- 3) Turn the pulley of the machine head by hand until the main-shaft reference signal is detected. At this time, the degree of an angle from the main-shaft reference signal is displayed on the indicator . (The value is the reference value.)



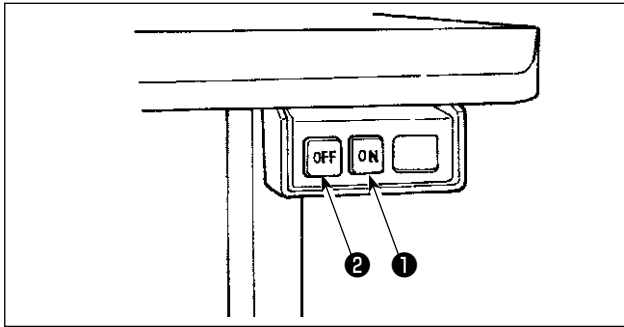
- 4) In this state, align marker dot on the pulley with recess on the pulley cover.



- 5) Press switch to finish the adjustment work. (The value is the reference value.)

III. FOR THE OPERATOR

1. Operating procedure of the sewing machine

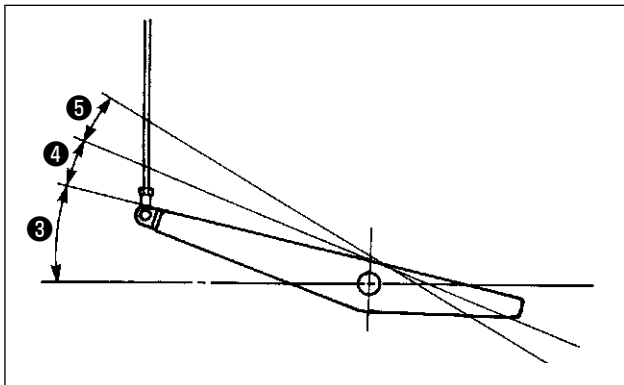


1) Press ON button ❶ of the power switch to turn ON the power.

(Caution) If the power indication LED does not light up even when turning ON the power switch, immediately turn OFF the power switch and check the voltage. In addition, in such a case as this, re-turn ON the power switch when 2 to 3 minutes or more have passed after turning OFF the power switch.

2) For some machine head installed, the needle bar automatically rotates to its upper position if the needle bar is not there.

(Caution) When the power to the sewing machine is turned ON for the first time after installation, it may require a longer time to get ready for operation since it carries out initialization procedure. In addition, be sure not to place hands or any other article under the needle since the needle bar may move when the power is turned ON.

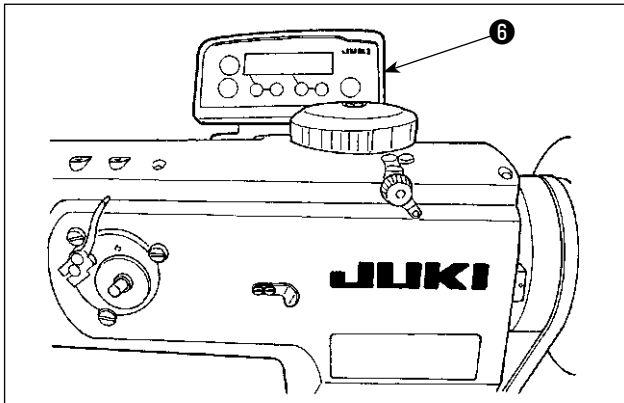


3) When depressing front part ❸ of the pedal, the sewing machine rotates at the number of revolutions in accordance with the depressing amount. When the pedal is returned to the neutral position, the sewing machine stops.

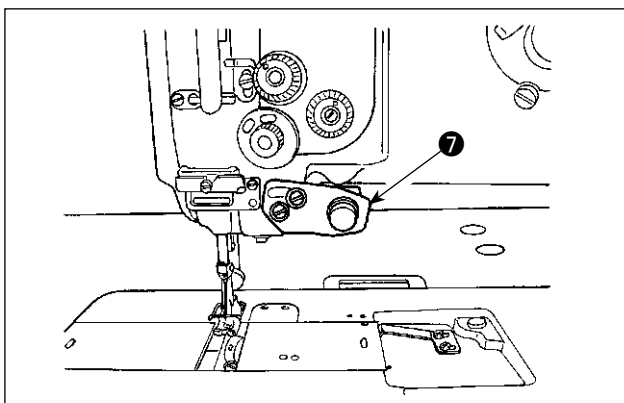
4) When lightly depressing back part ❹ of the pedal, the presser goes up. (PFL type only)

5) When strongly depressing back part ❺ of the pedal, thread trimming is performed.

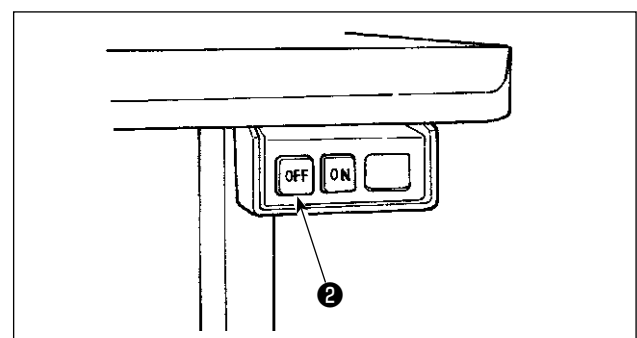
| | PFL | KFL |
|--|---------|----------|
| Presser foot operation by pedal | Enabled | Disabled |
| Pedal depressing depth for thread trimming | Deep | Shallow |



6) For some types of the sewing machine heads, it is possible to program various sewing patterns, using the operation panel, such as the reverse feed stitching at sewing start and that at sewing end. When you use CP-18 ❹ with your sewing machine, refer to "III-3. Operating procedure of the sewing pattern" p.20 for details. When you use any other operation panel with your sewing machine, refer to the Instruction Manual for the respective operation panel. (The figure given illustrates the case of the LU-1510N-7.)

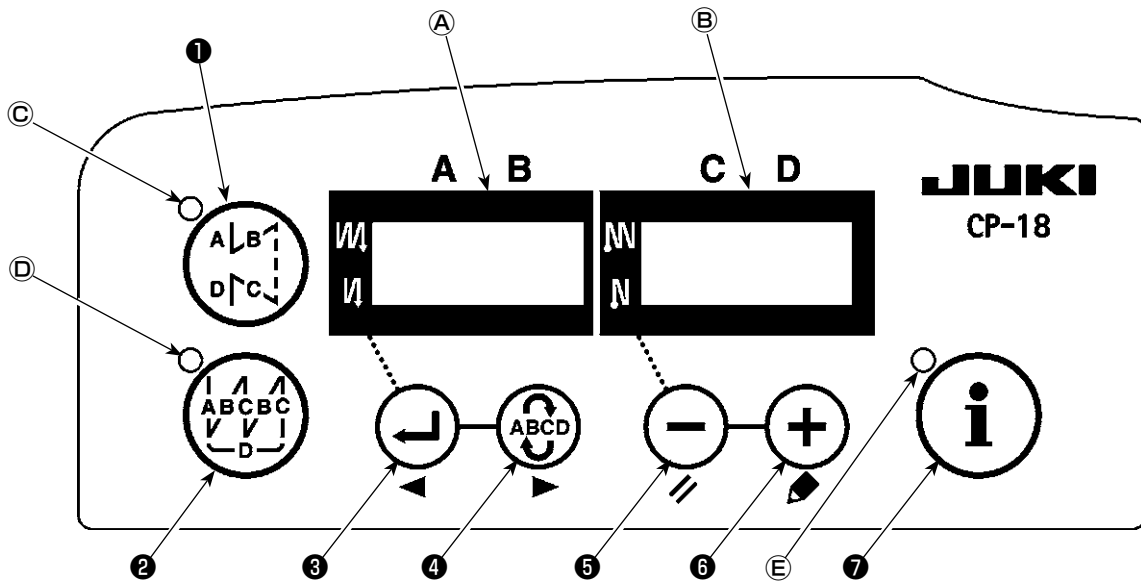









7) For some types of the sewing machine heads, reverse feed is performed by pressing touch-back switch ❷. (The figure given illustrates the case of the LU-1510N-7.)



8) When sewing is completed, press OFF button ❷ of the power switch to turn OFF the power switch after confirming that the sewing machine has stopped.

2. Operation panel (CP-18)



- ①  switch : Used for changing over effective/ineffective of the reverse feed stitching pattern.
- ②  switch : Used for changing over effective/ineffective of the overlapped stitching pattern.
- ③  switch : Used for confirming the contents of setting and for changing over effective/ineffective of the reverse feed stitching at sewing start.
- ④  switch : Used for selecting the process (A, B, C, D) the number of stitches for which is to be changed.
* The selected process flashes on and off.
- ⑤  switch : Used for changing the content of the selected display (flashing section) and for changing over effective/ineffective of the reverse stitch at sewing end.
- ⑥  switch : Used for changing the content of the selected display (flashing section).
- ⑦  switch : Used to call the production support function or one-touch setting (by keeping the switch held pressed for one second).

Indicators ① and ② : Various pieces of information are displayed.

LED ③ : Lights up when the reverse feed stitching pattern is effective.

LED ④ : Lights up when the overlapped stitching pattern is effective.

LED ⑤ : Lights up when the production support function is displayed.

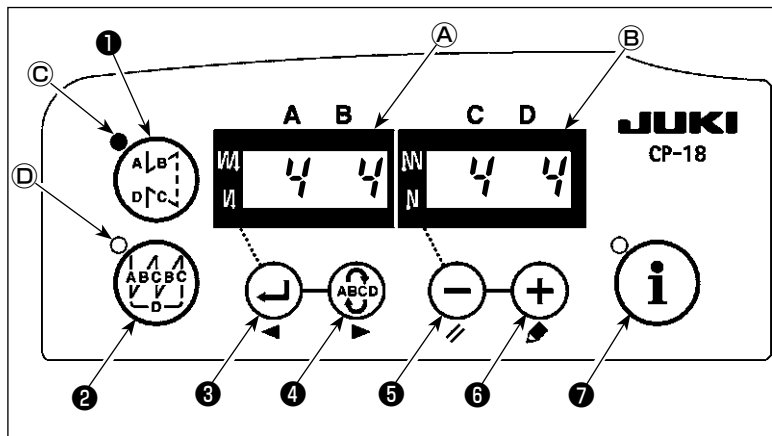
Flashes on and off when invoking the one-touch setting.

3. Operating procedure of the sewing pattern

- (Caution) 1. For the operation panel other than CP-18, refer to the Instruction Manual for the operation panel to be used.
2. For some machine heads, reverse-stitching pattern cannot be used.

(1) Reverse feed stitching pattern

Reverse feed stitching at sewing start and reverse feed stitching at sewing end can be separately programmed.



[Setting procedure of the reverse feed stitching]

- 1) Effective/ineffective of the reverse feed stitching pattern can be changed over by pressing switch 1.
- When the reverse feed stitching pattern is rendered effective, LED lights up, the number of stitches of the reverse feed stitching at sewing start is displayed on , and the number of stitches of the reverse feed stitching at sewing end is displayed on indicator .

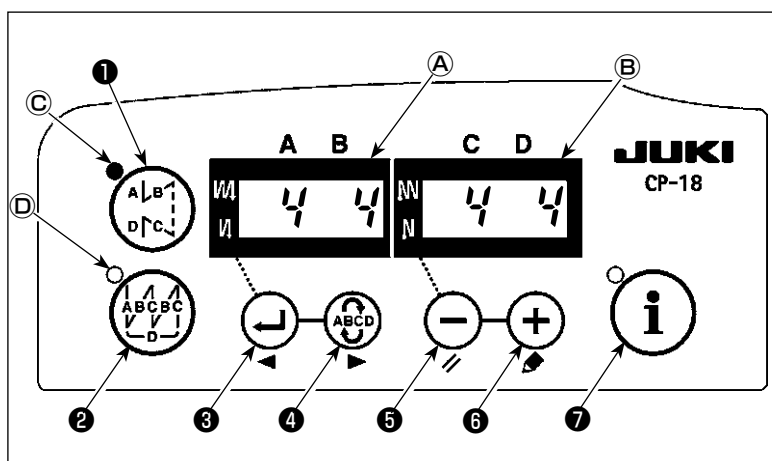
Select a process (A, B, C or D) the number of stitches for which is to be changed by using switch 4.

The number which is flashing on and off represents the process which is being set.

Change the number of stitches for the selected process by using switch 5 and switch 6.

Press switch 3 to confirm the change you have made. (The number of stitches that can be set is 0 to 15.)

- (Caution) The sewing machine cannot perform sewing when the display of the number of stitches for a process is flashing on and off.



- 2) When the number of reverse feed stitches display is not flashing on and off, every press on switch 3 changes over the reverse feed stitching mode from the "reverse feed stitching at sewing start," "double reverse feed stitching at sewing start" and "no reverse feed stitching at sewing start."

In addition, every time switch 5 is pressed, the reverse feed stitching feature changes over from the reverse feed stitching at sewing end to the double reverse stitch at sewing end, then to no reverse feed stitching at sewing end, in turn.

Without reverse stitching :



Reverse stitching :

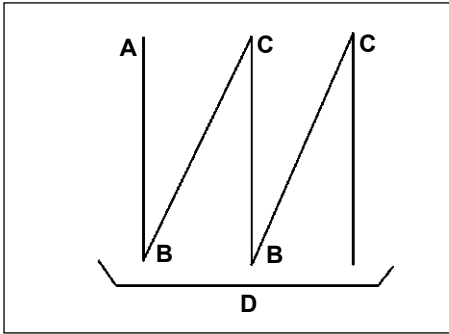


Double reverse stitching :



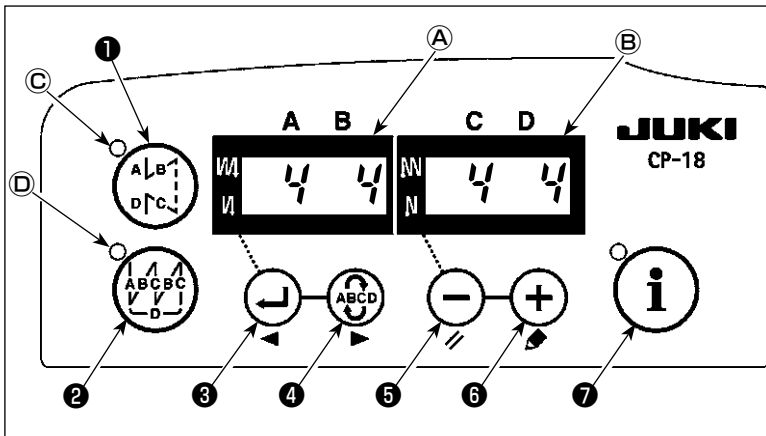
(2) Overlapped stitching pattern

Overlapped stitching pattern can be programmed.




- A : Number of stitches of normal stitching setting
0 to 15 stitches
- B : Number of stitches of reverse stitching setting
0 to 15 stitches
- C : Number of stitches of normal stitching setting
0 to 15 stitches
- D : Number of times of repetition
0 to 9 times

(Caution) When process D is set to 5 times, the sewing is repeated as A → B → C → B → C.







[Setting procedure of the overlapped stitching]

1) Effective/ineffective of the overlapped stitching pattern can be

changed over by pressing 

switch ② .

When the overlapped stitching pattern is rendered effective, LED ① lights up.

- 2) Select a process (A, B, C or D) the number of stitches for which is to be changed by using  switch ④ .
The number which is flashing on and off represents the process which is being set.
- 3) Change the number of stitches for the selected process by using  switch ⑤ and  switch ⑥ .
- 4) Press  switch ③ to confirm the change you have made.

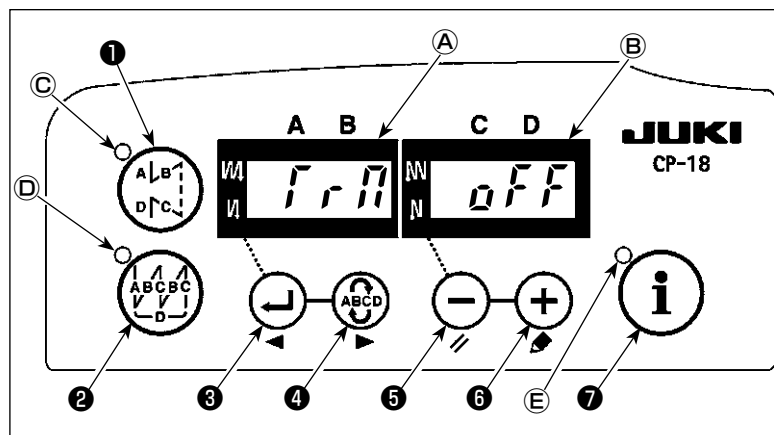
(The sewing machine does not run unless the setting has been confirmed by pressing  switch ③ .)

(Caution) The overlapped stitching pattern is carried out under automatic operation mode. Once the pedal is depressed, the sewing machine will automatically perform sewing of the number of overlapped stitches.

4. One-touch setting

A part of function setting items can be easily changed in the normal sewing state.

(Caution) For the setting of functions other than those covered in this part, refer to "III-6. Setting of functions of SC-922" p.27.



[One-touch setting procedure]

- 1) Keep **i** switch ⑦ held pressed for one second to place the panel in the function setting mode.
- 2) Change over the item to be set by using **←** switch ③ or **ABCD** switch ④. Then, the set value can be changed by using **-** switch ⑤ and **+** switch ⑥.
- 3) To return to the normal sewing state, press **i** switch ⑦.

(Caution) The setting is confirmed by pressing **i** switch ⑦.

① Thread trimming function (*T r N*)

OFF: Thread trimming operation is not performed (solenoid output prohibition: Thread trimmer, wiper)

ON: Thread trimming operation is effective.

② Wiper function (*W P*)

OFF: Wiper does not operate after thread trimming

ON: Wiper operates after thread trimming

③ One-shot automatic stitching function (*SHOT*)

OFF: One-shot automatic stitching function is ineffective.

ON: One-shot automatic stitching is effective.

(Caution) This function is rendered effective when the material end sensor function is set. It is not possible to prohibit the one-shot operation during overlapped sewing operation. The number of revolution is the value which is set for setting No. 38.

④ Setting of the max. speed of stitch (*SPd*)

The highest speed of stitch of the machine head is set. The upper limit of the set value differs with the type of machine head to which the SC is connected.

Setting range : 150 - Max. value [sti/min]

⑤ Material end sensor function (*Ed*)

OFF: Material end sensor function is ineffective.

ON: Once the material end is detected, the sewing machine stops running after having sewn the number of stitches set with ⑦ (*EdSt*).

* This function is rendered effective when the material edge sensor is set with function setting No. 12.

⑥ Thread trimming function by material end sensor (*EdTr*)

OFF: Automatic thread trimming function after the detection of material end is ineffective.

ON: Once the material end is detected, the sewing machine performs thread trimming after having sewn the number of stitches set with ⑦ (*EdSt*).

* This function is rendered effective when the material edge sensor is set with function setting No. 12.

⑦ Number of stitches for material end sensor (*E d S r*)

The number of stitches to be sewn from the detection of material end to the stop of the sewing machine

Number of stitches that can be set: 0 to 19 (stitches)

(Caution) If the number of stitches specified is inadequate, the sewing machine can fail to stop within the preset number of stitches depending on the number of revolutions of the sewing machine.

⑧ Adjustment of the quantity of light of LED lamp (*L R n P*)

Used to adjust the quantity of light of LED lamp (optional)

Setting range : 0 to 100%

⑨ Optical sensor function (*L G S*)

o F F : Optical sensor function is disabled.

o n : After the optical sensor input, the sewing machine is stopped after the sewing of the number of stitches set with ⑫ (*L G S r*).

* This function is enabled when the optical sensor is set with function setting No. 12.

⑩ Optical sensor filter function (*L G F*)

o F F : Optical sensor filter function is disabled.

o n : After the optical sensor detection, the input is delayed until the sewing machine has completed the sewing of the number of stitches set with ⑪ (*L G F S*).

* This function is enabled when the optical sensor is set with function setting No. 12.

⑪ Number of stitches for the optical sensor filter (*L G F S*)

Used to set the number of stitches for delaying the time at which the optical sensor input status takes effect.

Setting range: 0 to 99 stitches

* This function is enabled when the optical sensor is set with function setting No. 12.

⑫ Number of stitches to stop the optical sensor (*L G S r*)

Used to set the number of stitches to be sewn from the optical sensor input to the stop of the sewing machine.

Setting range: 0 to 99 stitches

* This function is enabled when the optical sensor is set with function setting No. 12.

(Caution) If a small number is set, the sewing machine may not be stopped within the set number of stitches depending on the number of revolutions of the sewing machine.

⑬ Number of times of optical sensor detection (*L G C r*)

The sewing machine stops every time the optical sensor input is turned ON and carries out automatic thread trimming when the set number of times is reached.

Setting range: 1 to 15 times

* This function is enabled when the optical sensor is set with function setting No. 12.

⑭ Pedal depressing speed limiting function (*L G S P*)

This function limits the pedal depressing speed at the time of the optical sensor input.

0 : The function is disabled.

1 : Fixed at the one-shot speed (function setting No. 38)

2 : Limited to the one-shot speed (function setting No. 38)

3 : When the optical sensor is enabled, the sewing machine runs under the automatic mode upon depress on the pedal.

* This function is enabled when the optical sensor is set with function setting No. 12.

5. Production support function

The production support function consists of three different functions (six different modes) such as the production volume management function, operation measuring function and bobbin counter function. Each of them has its own production support effect. Select the appropriate function (mode) as required.

■ Production volume management function

Target No. of pcs. display mode [F100]

Target/actual No. of pcs difference display mode [F200]

The target number of pieces, actual number of pieces and the difference between the target and actual number of pieces along with the operation time are displayed to notify the operators of a delay and advance in real time. Sewing machine operators are allowed to engage sewing while constantly checking his/her work pace. This helps raise target awareness, thereby increasing productivity. In addition, a delay in work can be found at an early stage to enable early detection of problems and early implementation of corrective measures.

■ Operation measuring function

Sewing machine availability rate display mode [F300]

Pitch time display mode [F400]

Average number of revolutions display mode [F500]

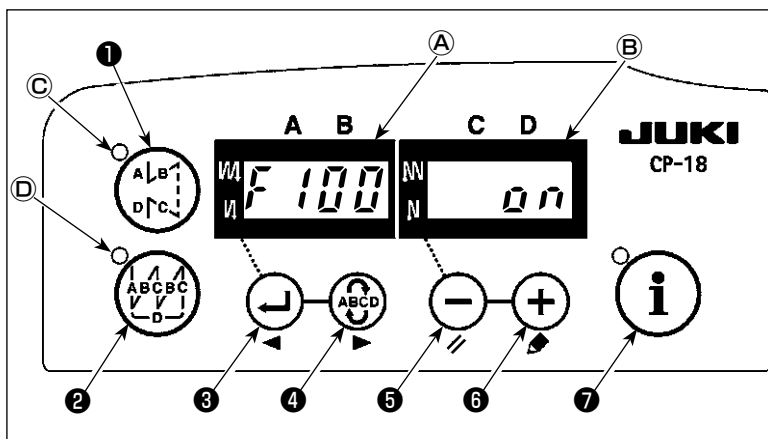
Sewing machine availability status is automatically measured and displayed on the control panel. The data obtained can be used as basic data to perform process analyses, line arrangement and equipment efficiency checkup.

■ Bobbin counter function

Bobbin counter display mode

In order to change bobbins before the current bobbin runs out of thread, the time for replacing the bobbin is notified.

[To display the production support modes]



(Caution) F100 to F500 modes have been factory-set to HIDE at the time of delivery.

The bobbin counter display mode is changed over between display/hidden by setting the bobbin counter function (function setting No. 6). (It has been factory-set to ON at the time of shipment.)

Keep **i** switch 7 held pressed (one second) in the normal sewing state to call the one-touch setting screen.

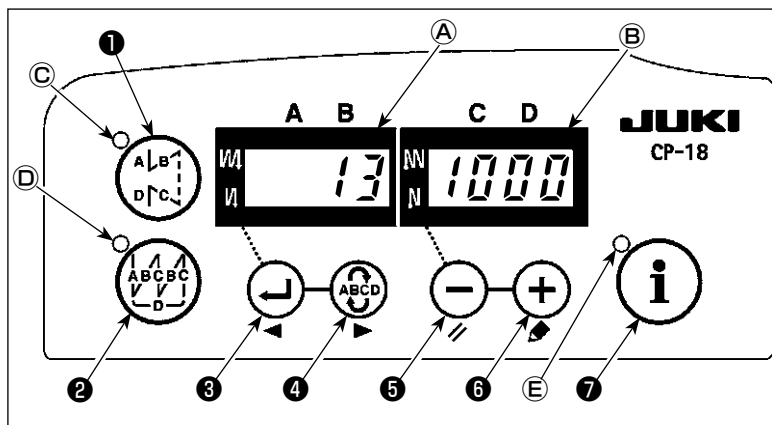
Then, press **A|B|D|C** switch 1 or **A|B|C|D** switch 2 on the one-touch setting screen to display/hidden the production support modes.

Select the mode to be displayed/hidden by pressing **←** switch 3 or **ABCD** switch 4. ON/OFF of the display can be changed over by pressing **-** switch 5 or **+** switch 6.

To return to the normal sewing state, press **i** switch 7.

Sewing can be performed with the production support data displayed on the control panel.

[Basic operation of the production support modes]



- 1) When **i** switch 7 is pressed in the normal sewing state, LED E lights up to enter the production support mode.
- 2) Production support function can be changed over by pressing **←** switch 3 or **ABCD** switch 4.

3) Data attached marked with (*1) in Table 1 "Indicator A" can be changed by means of **−** switch 5 and **+** switch 6.

4) When you keep **+** switch 6 held pressed for two seconds, indicator B and LED E flash on and off. While they are flashing on and off, data marked with (*2) in Table 1 "Display under modes" can be changed by pressing **−** switch 5 and **+** switch 6.

When you press **i** switch 7, the value marked with (*2) is confirmed and indicator B and LED E stop flashing on and off.

5) The value with a sharp mark (*3) in Table 1 "Display of modes" can be changed only immediately after resetting by using **−** switch 5 and **+** switch 6.

6) Refer to the table "Mode resetting operation," for the resetting procedure of data.

7) To return to the normal sewing state, press **i** switch 7.

Data to be displayed under the respective modes are as described in the table below.

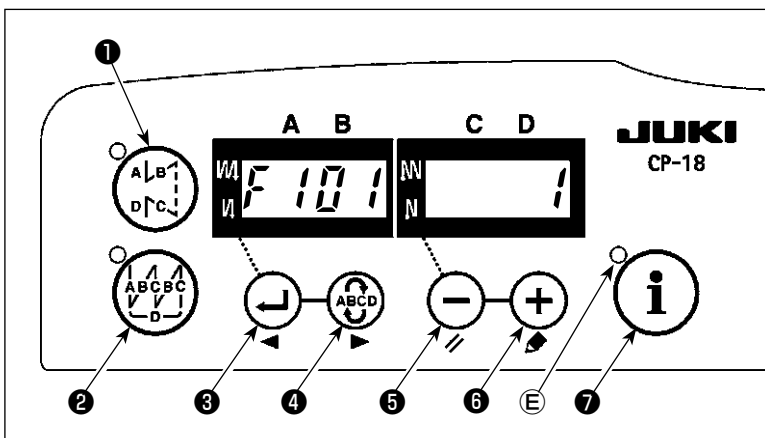
Table 1: Display of modes

| Mode name | Indicator A | Indicator B | Indicator B (when − switch 5 is pressed) |
|--|---|---|---|
| Target No. of pcs. display mode [F100] | Actual number of pieces (Unit : piece) (*1) | Target number of pieces (Unit : piece) (*2) | - |
| Target/actual No. of pcs. difference display mode [F200] | Difference between target number of pieces and actual number of pieces (d : piece) (*1) | Target pitch time (Unit : 100 msec) (*2) | - |
| Sewing machine availability rate display mode [F300] | oP-r | Sewing machine availability rate in the previous sewing (Unit : %) | Display of average availability rate of sewing machine (Unit : %) |
| Pitch time display mode [F400] | Pi-T | Pitch time in the previous sewing (Unit : 1 sec) | Display of average pitch time (Unit : 100 msec) |
| Average number of revolutions display mode [F500] | ASPd | Average number of revolutions in the previous sewing (Unit : sti/min) | Display of average number of revolutions (Unit : sti/min) |
| Bobbin counter display mode | bbn | Bobbin counter value (*3) | - |

Table 2: Mode resetting operation

| Mode name | ⊖ switch ⑤ (held pressed for 2 seconds) | ⊖ switch ⑤ (held pressed for 4 seconds) |
|--|---|--|
| Target No. of pcs. display mode [F100] | Resets the actual number of pieces Resets the difference between target number of pieces and actual number of pieces | - |
| Target/actual No. of pcs. difference display mode [F200] | Resets the actual number of pieces Resets the difference between target number of pieces and actual number of pieces | - |
| Sewing machine availability rate display mode [F300] | Resets average availability rate of sewing machine | Resets average availability rate of sewing machine. Resets average pitch time. Resets average number of revolutions of sewing machine. |
| Pitch time display mode [F400] | Resets average pitch time | Resets average availability rate of sewing machine. Resets average pitch time. Resets average number of revolutions of sewing machine. |
| Average number of revolutions display mode [F500] | Resets average number of revolutions of sewing machine. | Resets average availability rate of sewing machine. Resets average pitch time. Resets average number of revolutions of sewing machine. |
| Bobbin counter display mode | Resets the bobbin counter value (Note that only the bobbin counter is immediately reset by pressing ⊖ switch ⑤.) | - |

[Detailed setting of production volume management function [F101], [F102]]



When **i** switch ⑦ is held pressed (for three seconds) under the target No. of pcs. display mode [F100] or the target/actual No. of pcs. difference display mode [F200], the detailed setting of the production volume management function can be carried out. The setting state of the number of times of thread trimming [F101] and that of the target achievement buzzer [F102] can be changed over by pressing ⊖ switch ③ or switch ④.

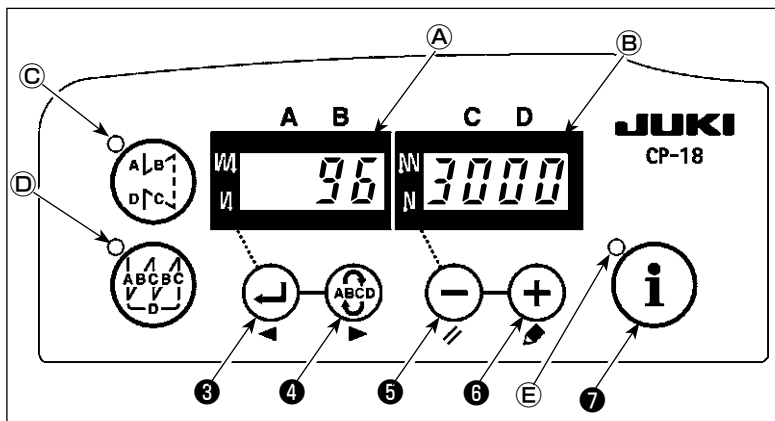
Setting of production volume management function



| | | |
|------|---|---|
| F101 | Setting of the number of times of thread trimming | The number of times of thread trimming to be performed during the sewing of one piece of material is set. 0: The production volume is counted by pressing the push switch. The production volume is not counted by thread trimming. 1~: One is added to the actual number of pieces counter upon completion of the set number of times of thread trimming. |
| F102 | Operation to be done when the target is achieved | The operation to be carried out when the actual number of pieces has reached the target number of pieces is set. 0: No operation 1: The buzzer sounds 2: The sewing machine will not run even if the pedal is depressed. The actual number of pieces counter is reset to zero (0) by keeping ⊖ switch ⑤ held pressed when the sewing machine is forcedly at rest. Then, the operation of the sewing machine is enabled again. |

6. Setting of functions of SC-922

Functions can be selected and specified.

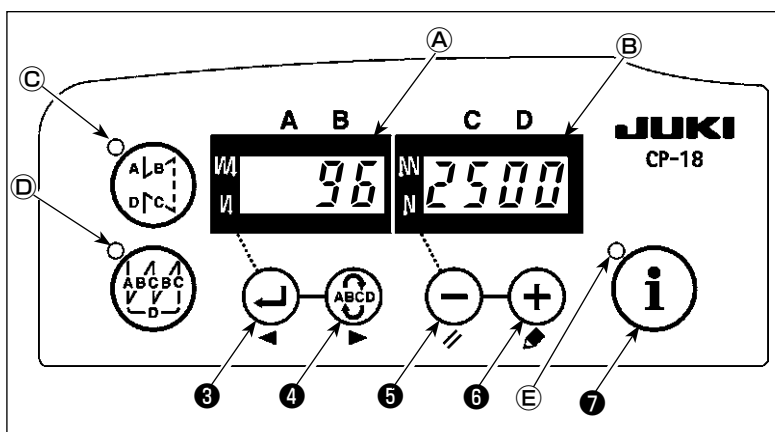
(Caution) For the function setting procedure of any operation panel other than CP-18, refer to the Instruction Manual for the operation panel to be used.







- 1) Turn ON the power with  switch  held pressed.
(The item which has been changed during the previous work is displayed.)
* If the screen display does not change, re-carry out operation described in step 1).


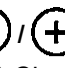
(Caution)

Be sure to re-turn ON the power switch when one or more seconds have passed after turning it OFF. If the power switch is re-turned ON immediately after turning it OFF, the sewing machine may fail to operate normally. In such a case, be sure to turn ON the power switch again properly.



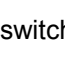
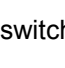



- 2) To move the setting No. forward, press  switch  4. To move the setting No. backward, press  switch  3.



(Caution)

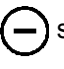
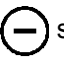


If the setting No. is moved forward (or backward), the previous (or subsequent) content of the setting is confirmed. Be careful when the content of a setting is changed (when the  /  switch is touched).

Example) Changing the maximum number of revolutions (setting No. 96)

Press  switch  3 or  switch  4 to call setting No. "96."

The current set value is displayed on indicator .



Press  switch  5 to change the set value to "2500".

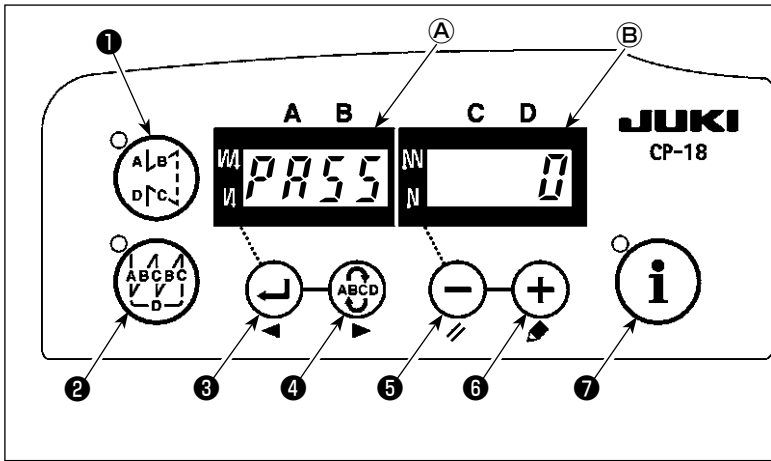
* The content of setting of the setting No. returns to the initial value by pressing  switch  5 and  switch  6 simultaneously.

- 3) After completion of the changing procedure, press  switch  3 or  switch  4 to confirm the updated value.

(Caution) If the power is turned OFF before carrying out this procedure, the changed content is not updated.

When  switch  3 is pressed, the display on the panel changes to the previous setting No.

When  switch  4 is pressed, the display on the panel changes to the subsequent setting No. After completion of the operation, the machine is returned to the normal sewing state by turning OFF the power and re-turning it ON.



In the case the screen shown at the left is displayed by the operation described in 1) on the previous page, the screen is locked by the password. Refer to the Engineer's Manual for how to set and reset the password.

7. Function setting list

| No | Item | Description | Setting range | Indication of function setting | Ref. page |
|----|--|--|---------------------------|--|-----------|
| 1 | Soft start function | The number of stitches to be sewn at a low speed when the soft-start function is used at the start of sewing. 0 : The function is not selected. 1 to 9 : The number of stitches to be sewn under the soft-start mode. | 0 to 9 (Stitches) | <input type="text" value=""/> <input type="text" value=""/> <input type="text" value=""/> <input type="text" value="1"/> <input type="text" value=""/> <input type="text" value=""/> <input type="text" value="1"/> | 35 |
| 2 | Material end sensor function | Material end sensor function (to be used only with CP-18). 0 : Material end detection function is not operative. 1 : After detecting material end, the specified number of stitches (No. 4) will be sewn, and the sewing machine will stop. | 0/1 | <input type="text" value=""/> <input type="text" value=""/> <input type="text" value=""/> <input type="text" value="2"/> <input type="text" value=""/> <input type="text" value=""/> <input type="text" value="0"/> | 35 |
| 3 | Thread trimming function by material end sensor | Thread trimming function by material end sensor (to be used only with CP-18). 0 : Automatic thread trimming function after detection of material end is not operative. 1 : After detecting material end, the specified number of stitches (No. 4) will be sewn, and the sewing machine will stop and perform automatic thread trimming. | 0/1 | <input type="text" value=""/> <input type="text" value=""/> <input type="text" value=""/> <input type="text" value="3"/> <input type="text" value=""/> <input type="text" value=""/> <input type="text" value="0"/> | 35 |
| 4 | Number of stitches for material end sensor | Number of stitches for material end sensor (to be used only with CP-18). Number of stitches from detection of material end to stop of the sewing machine. | 0 to 19 (Stitches) | <input type="text" value=""/> <input type="text" value=""/> <input type="text" value=""/> <input type="text" value="4"/> <input type="text" value=""/> <input type="text" value=""/> <input type="text" value="5"/> | 35 |
| 5 | Flicker reducing function | Flicker reducing function 0 : Flicker reducing function is not operative. 1 : Flicker reducing function is effective | 0/1 | <input type="text" value=""/> <input type="text" value=""/> <input type="text" value=""/> <input type="text" value="5"/> <input type="text" value=""/> <input type="text" value=""/> <input type="text" value="0"/> | 35 |
| 6 | Bobbin thread counting function | Bobbin thread counting function 0 : Bobbin thread counting function is not operative. 1 : Bobbin thread counting function is operative. | 0/1 | <input type="text" value=""/> <input type="text" value=""/> <input type="text" value=""/> <input type="text" value="6"/> <input type="text" value=""/> <input type="text" value=""/> <input type="text" value="1"/> | 35 |
| 7 | Unit of bobbin thread counting down | Unit of bobbin thread counting down 0 : 1 Count/10 stitches 1 : 1 Count/15 stitches 2 : 1 Count/20 stitches 3 : 1 Count/thread trimming | 0 to 3 | <input type="text" value=""/> <input type="text" value=""/> <input type="text" value=""/> <input type="text" value="7"/> <input type="text" value=""/> <input type="text" value=""/> <input type="text" value="0"/> | |
| 8 | Number of rotation of reverse feed stitching | Sewing speed of reverse feed stitching | 150 to 3,000 (sti/min) | <input type="text" value=""/> <input type="text" value=""/> <input type="text" value=""/> <input type="text" value="8"/> <input type="text" value=""/> <input type="text" value="6"/> <input type="text" value="0"/> <input type="text" value="0"/> | |
| 9 | Thread trimming prohibiting function | Thread trimming prohibiting function (to be used only with CP-18). 0 : Thread trimming is effective. 1 : Thread trimming is prohibited. (Output of solenoid is prohibited. : Thread trimmer and wiper) | 0/1 | <input type="text" value=""/> <input type="text" value=""/> <input type="text" value=""/> <input type="text" value="9"/> <input type="text" value=""/> <input type="text" value=""/> <input type="text" value="0"/> | 35 |
| 10 | Setting of needle bar stop position when the sewing machine stops. | Position of needle bar is specified when the sewing machine stops. 0 : The needle bar stops at its lower position. 1 : The needle bar stops at its upper position. | 0/1 | <input type="text" value=""/> <input type="text" value=""/> <input type="text" value="1"/> <input type="text" value="0"/> <input type="text" value=""/> <input type="text" value=""/> <input type="text" value="0"/> | 35 |
| 11 | Operation confirmation sound for operation panel | Operation confirmation sound for operation panel 0 : Operation confirmation sound is not generated 1 : Operation confirmation sound is generated. | 0/1 | <input type="text" value=""/> <input type="text" value=""/> <input type="text" value="1"/> <input type="text" value="1"/> <input type="text" value=""/> <input type="text" value=""/> <input type="text" value="1"/> | 35 |
| 12 | Optional switch function selection | Switching of function of optional switch. Refer to "III-8. Detailed explanation of selection of functions" p.35. | | <input type="text" value=""/> <input type="text" value=""/> <input type="text" value="1"/> <input type="text" value="2"/> <input type="text" value="o"/> <input type="text" value="P"/> <input type="text" value="T"/> <input type="text" value=""/> | 36 |
| 13 | Function of prohibiting start of the sewing machine by bobbin thread counter | Function of prohibiting start of the sewing machine by bobbin thread counting 0 : When counting is out (-1 or less) Function of prohibiting start of the sewing machine is not operative. 1 : When counting is out (-1 or less) Function of prohibiting start of the sewing machine after thread trimming is operative. 2 : When counting is out (-1 or less), the sewing machine stops once. Function of prohibiting start of the sewing machine after thread trimming is operative. | 0 to 2 | <input type="text" value=""/> <input type="text" value=""/> <input type="text" value="1"/> <input type="text" value="3"/> <input type="text" value=""/> <input type="text" value=""/> <input type="text" value="0"/> | |
| 14 | Sewing counter | Counting function of sewing (number of completion of process) 0 : Sewing counter function is not operative. 1 : Sewing counter function is operative. (Every time thread trimming is performed) 2 : With the sewing counting switch input function | 0 to 2 | <input type="text" value=""/> <input type="text" value=""/> <input type="text" value="1"/> <input type="text" value="4"/> <input type="text" value=""/> <input type="text" value=""/> <input type="text" value="1"/> | 41 |
| 15 | Thread wiping function after thread trimming | Thread wiping operation after thread trimming is specified. 0 : Thread wiping is not carried out after thread trimming 1 : Thread wiping is carried out after thread trimming | 0/1 | <input type="text" value=""/> <input type="text" value=""/> <input type="text" value="1"/> <input type="text" value="5"/> <input type="text" value=""/> <input type="text" value=""/> <input type="text" value="0"/> | |
| 21 | Function of neutral presser lifting | Function of needle up/down compensating switch on the operation panel can be changed. 0 : Needle up/down compensation 1 : Provided with selectable function of automatic presser foot lifting at neutral position of pedal 2 : Provided with the function of automatic presser foot lifting at neutral position of pedal when enabled and added with the function of conducting alternate operation by depressing the back part of pedal (This function is disabled when No. 93 Needle up/down switch additional function setting is "2.") | 0 to 2 | <input type="text" value=""/> <input type="text" value=""/> <input type="text" value="2"/> <input type="text" value="1"/> <input type="text" value=""/> <input type="text" value=""/> <input type="text" value="0"/> | 41 |
| 22 | Needle up/down correction switch change-over function | Function of the needle up/down correction switch is changed over. 0 : Needle up/down compensation 1 : One stitch compensation | 0/1 | <input type="text" value=""/> <input type="text" value=""/> <input type="text" value="2"/> <input type="text" value="2"/> <input type="text" value=""/> <input type="text" value=""/> <input type="text" value="0"/> | 41 |

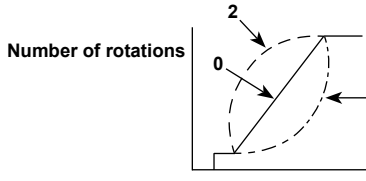
* Do not change the set values with asterisk (*) mark as they are functions for maintenance. If the standard set value set at the time of delivery is changed, it is in danger of causing the machine to be broken or the performance to be deteriorated. If it is necessary to change the set value, please purchase the Engineer's Manual and follow the instructions.

| No | Item | Description | Setting range | Indication of function setting | Ref. page | |
|----|---|--|---|--|---|----|
| 25 | Thread trimming operation after turning the handwheel by hand | Thread trimming operation after moving the needle away from its upper or lower position by turning the handwheel by hand is specified. 0 : Thread trimming operation is carried out after turning the handwheel by hand 1 : Thread trimming operation is not carried out after turning the handwheel by hand | 0/1 | <input type="checkbox"/> <input type="checkbox"/> <input type="checkbox"/> 2 5 <input type="checkbox"/> <input type="checkbox"/> <input type="checkbox"/> <input type="checkbox"/> 1 | | |
| 29 | Setting of one-touch type reverse feed solenoid pull-in time | This function sets the suction time of initial motion of back-tack solenoid. 50 ms to 500 ms | 50 to 500 (ms) | <input type="checkbox"/> <input type="checkbox"/> <input type="checkbox"/> 2 9 <input type="checkbox"/> <input type="checkbox"/> 2 5 0 | 41 | |
| 30 | Function of reverse feed stitching on the way | Function of reverse feed stitching on the way 0 : Normal one-touch type reverse feed stitching function 1 : Function of reverse feed stitching on the way is operative. | 0/1 | <input type="checkbox"/> <input type="checkbox"/> <input type="checkbox"/> 3 0 <input type="checkbox"/> <input type="checkbox"/> <input type="checkbox"/> <input type="checkbox"/> 0 | 42 | |
| 31 | Number of stitches of reverse feed stitching on the way | Number of stitches of reverse feed stitching on the way. | 0 to 19 (Stitches) | <input type="checkbox"/> <input type="checkbox"/> <input type="checkbox"/> 3 1 <input type="checkbox"/> <input type="checkbox"/> <input type="checkbox"/> <input type="checkbox"/> 4 | 42 | |
| 32 | Effective condition of reverse feed stitching on the way when the sewing machine is stopping. | Effective condition of reverse feed stitching on the way 0 : Function is not operative when the sewing machine stops. 1 : Function is operative when the sewing machine stops. | 0/1 | <input type="checkbox"/> <input type="checkbox"/> <input type="checkbox"/> 3 2 <input type="checkbox"/> <input type="checkbox"/> <input type="checkbox"/> <input type="checkbox"/> 0 | 42 | |
| 33 | Thread trimming function by reverse feed stitching on the way | Thread trimming function by reverse feed stitching on the way 0 : Automatic thread trimming function after completion of reverse feed stitching on the way is not operative. 1 : Automatic thread trimming after completion of reverse feed stitching on the way is performed. | 0/1 | <input type="checkbox"/> <input type="checkbox"/> <input type="checkbox"/> 3 3 <input type="checkbox"/> <input type="checkbox"/> <input type="checkbox"/> <input type="checkbox"/> 0 | 42 | |
| * | 35 | Number of rotation at a low speed | Lowest speed by pedal (The MAX value differs by machine head.) | 150 to MAX (sti/min) | <input type="checkbox"/> <input type="checkbox"/> <input type="checkbox"/> 3 5 <input type="checkbox"/> <input type="checkbox"/> 1 7 0 | |
| * | 36 | Number of rotation of thread trimming | Thread trimming speed (The MAX value differs by machine head.) | 100 to MAX (sti/min) | <input type="checkbox"/> <input type="checkbox"/> <input type="checkbox"/> 3 6 <input type="checkbox"/> <input type="checkbox"/> 1 7 0 | |
| | 37 | Number of rotation of soft-start | Sewing speed at the start of sewing (soft-start) (The MAX value differs by machine head.) | 100 to MAX (sti/min) | <input type="checkbox"/> <input type="checkbox"/> <input type="checkbox"/> 3 7 <input type="checkbox"/> <input type="checkbox"/> 1 7 0 | 35 |
| | 38 | One-shot speed | One-shot speed (The max. value depends on the number of rotation of the sewing machine head.) | 150 to MAX (sti/min) | <input type="checkbox"/> <input type="checkbox"/> <input type="checkbox"/> 3 8 <input type="checkbox"/> <input type="checkbox"/> 1 5 0 0 | 42 |
| * | 39 | Pedal stroke at the start of rotation | Position where the sewing machine starts rotating from pedal neutral position (Pedal stroke) | 10 to 50 (0.1 mm) | <input type="checkbox"/> <input type="checkbox"/> <input type="checkbox"/> 3 9 <input type="checkbox"/> <input type="checkbox"/> 3 0 | |
| * | 40 | Low speed section of pedal | Position where the sewing machine starts accelerating from pedal neutral position (Pedal stroke) | 10 to 100 (0.1 mm) | <input type="checkbox"/> <input type="checkbox"/> <input type="checkbox"/> 4 0 <input type="checkbox"/> <input type="checkbox"/> 6 0 | |
| * | 41 | Starting position of lifting presser foot by pedal | Position where the cloth presser starts lifting from pedal neutral position (Pedal stroke) | -60 to -10 (0.1mm) | <input type="checkbox"/> <input type="checkbox"/> <input type="checkbox"/> 4 1 <input type="checkbox"/> <input type="checkbox"/> - 2 1 | |
| * | 42 | Starting position of lowering presser foot | Starting position of lowering presser foot Stroke from the neutral position | 8 to 50 (0.1 mm) | <input type="checkbox"/> <input type="checkbox"/> <input type="checkbox"/> 4 2 <input type="checkbox"/> <input type="checkbox"/> 1 0 | |
| * | 43 | Pedal stroke 2 for starting thread trimming | Position 2 where the thread trimming starts from pedal neutral position (When the function of lifting presser foot by pedal is provided.) (Pedal stroke) (Effective only when Item No. 50 is set at 1.) | -60 to -10 (0.1 mm) | <input type="checkbox"/> <input type="checkbox"/> <input type="checkbox"/> 4 3 <input type="checkbox"/> <input type="checkbox"/> - 5 1 | |
| * | 44 | Pedal stroke for reaching the maximum number of rotation | Position where the sewing machine reaches its highest sewing speed from pedal neutral position (Pedal stroke) | 10 to 150 (0.1 mm) | <input type="checkbox"/> <input type="checkbox"/> <input type="checkbox"/> 4 4 <input type="checkbox"/> <input type="checkbox"/> 1 5 0 | |
| * | 45 | Compensation of neutral point of the pedal | Compensation value of the pedal sensor | -15 to 15 | <input type="checkbox"/> <input type="checkbox"/> <input type="checkbox"/> 4 5 <input type="checkbox"/> <input type="checkbox"/> <input type="checkbox"/> 0 | |
| | 47 | Auto-lifter selecting function | Limitation time of waiting for lifting solenoid type auto-lifter device | 10 to 600 (sec) | <input type="checkbox"/> <input type="checkbox"/> <input type="checkbox"/> 4 7 <input type="checkbox"/> <input type="checkbox"/> 6 0 | 42 |
| * | 48 | Pedal stroke 1 for starting thread trimming | Position where thread trimming starts from pedal neutral position (Standard pedal) (Pedal stroke) (Effective only when Item No. 50 is set at 0.) | -60 to -10 (0.1 mm) | <input type="checkbox"/> <input type="checkbox"/> <input type="checkbox"/> 4 8 <input type="checkbox"/> <input type="checkbox"/> - 3 5 | |
| | 49 | Lowering time of presser foot | Lowering time of presser foot after the pedal has been depressed. (Start of rotation of the sewing machine is delayed during this time.) | 0 to 500 (ms) | <input type="checkbox"/> <input type="checkbox"/> <input type="checkbox"/> 4 9 <input type="checkbox"/> <input type="checkbox"/> 1 4 0 | 45 |
| | 50 | Pedal specification | Type of pedal sensor is selected. 0 : KFL 1 : PFL Refer to " III-10. Selection of the pedal specifications " p.50. | 0/1 | <input type="checkbox"/> <input type="checkbox"/> <input type="checkbox"/> 5 0 <input type="checkbox"/> <input type="checkbox"/> <input type="checkbox"/> 1 | |
| | 51 | Compensation of solenoid-on timing of reverse feed stitching at the start of sewing | Compensation of starting the solenoid for reverse feed stitching when reverse feed stitching at the start of sewing is performed. | -36 to 36 (10°) | <input type="checkbox"/> <input type="checkbox"/> <input type="checkbox"/> 5 1 <input type="checkbox"/> <input type="checkbox"/> 1 1 | 43 |

* Do not change the set values with asterisk (*) mark as they are functions for maintenance. If the standard set value set at the time of delivery is changed, it is in danger of causing the machine to be broken or the performance to be deteriorated. If it is necessary to change the set value, please purchase the Engineer's Manual and follow the instructions.

| No | Item | Description | Setting range | Indication of function setting | Ref. page |
|------|--|--|----------------------------------|--|-----------|
| 52 | Compensation of solenoid-off timing of reverse feed stitching at the start of sewing | Compensation of releasing the solenoid for reverse feed stitching when reverse feed stitching at the start of sewing is performed. | - 36 to 36 (10°) | <input type="text" value=""/> <input type="text" value=""/> <input type="text" value="5"/> <input type="text" value="2"/> <input type="text" value=""/> <input type="text" value=""/> <input type="text" value="1"/> <input type="text" value="3"/> | 43 |
| 53 | Compensation of solenoid-off timing of reverse feed stitching at the end of sewing | Compensation of releasing the solenoid for reverse feed stitching when reverse feed stitching at the end of sewing is performed. | - 36 to 36 (10°) | <input type="text" value=""/> <input type="text" value=""/> <input type="text" value="5"/> <input type="text" value="3"/> <input type="text" value=""/> <input type="text" value=""/> <input type="text" value=""/> <input type="text" value="4"/> | 43 |
| 55 | Foot lift after thread trimming | Function of lifting presser foot at the time of (after) thread trimming 0 : Not provided with the function of automatic lifting of work-clamp after thread trimming 1 : Provided with the function of lifting presser foot automatically after thread trimming | 0/1 | <input type="text" value=""/> <input type="text" value=""/> <input type="text" value="5"/> <input type="text" value="5"/> <input type="text" value=""/> <input type="text" value=""/> <input type="text" value=""/> <input type="text" value="1"/> | 43 |
| 56 | Reverse revolution to lift the needle after thread trimming | Function of reverse revolution to lift the needle at the time of (after) thread trimming 0 : Not provided with the function of reverse revolution to lift the needle after thread trimming 1 : Provided with the function of reverse revolution to lift the needle after thread trimming | 0/1 | <input type="text" value=""/> <input type="text" value=""/> <input type="text" value="5"/> <input type="text" value="6"/> <input type="text" value=""/> <input type="text" value=""/> <input type="text" value=""/> <input type="text" value="1"/> | 44 |
| 58 | Needle bar home position retaining function | Needle bar home position retaining function 0 : Needle bar home position retaining function is disabled 1 : Needle bar home position retaining function is enabled (holding force is weak.) 2 : Needle bar home position retaining function is enabled (holding force is medium.) 3 : Needle bar home position retaining function is enabled (holding force is strong.) | 0 to 3 | <input type="text" value=""/> <input type="text" value=""/> <input type="text" value="5"/> <input type="text" value="8"/> <input type="text" value=""/> <input type="text" value=""/> <input type="text" value=""/> <input type="text" value="0"/> | 44 |
| 59 | Function of Auto/Manual change-over of reverse feed stitching at the start of sewing | This function can specify the sewing speed of reverse feed stitching at the start of sewing. 0 : The speed will depend on the manual operation by pedal, etc. 1 : The speed will depend on the specified reverse feed stitching speed (No. 8). | 0/1 | <input type="text" value=""/> <input type="text" value=""/> <input type="text" value="5"/> <input type="text" value="9"/> <input type="text" value=""/> <input type="text" value=""/> <input type="text" value=""/> <input type="text" value="1"/> | 44 |
| 60 | Function of stop immediately after reverse feed stitching at the start of sewing | Function at the time of completion of reverse feed stitching at the start of sewing 0 : Not provided with the function of temporary stop of the sewing machine at the time of completion of reverse feed stitching at the start of sewing 1 : Provided with the function of temporary stop of the sewing machine at the time of completion of reverse feed stitching at the start of sewing. | 0/1 | <input type="text" value=""/> <input type="text" value=""/> <input type="text" value="6"/> <input type="text" value="0"/> <input type="text" value=""/> <input type="text" value=""/> <input type="text" value=""/> <input type="text" value="0"/> | 44 |
| 61 | Needle bar home position retaining time | Sets the period of time in which the needle bar is retained at its home position after the sewing machine has stopped. 0 : The function is disabled (the needle bar home position retaining function is enabled at all times) 100 - 3000 ms | 0 : Disabled 100 to 3000 (ms) | <input type="text" value=""/> <input type="text" value=""/> <input type="text" value="6"/> <input type="text" value="1"/> <input type="text" value=""/> <input type="text" value=""/> <input type="text" value=""/> <input type="text" value="0"/> | 44 |
| 64 | Change-over speed of condensation stitch or EBT (end back tack) | Initial speed when starting condensation stitch or EBT | 0 to 250 (sti/min) | <input type="text" value=""/> <input type="text" value=""/> <input type="text" value="6"/> <input type="text" value="4"/> <input type="text" value=""/> <input type="text" value=""/> <input type="text" value="5"/> <input type="text" value="0"/> | |
| 70 | Function of soft-down of presser foot | Presser foot is slowly lowered. 0 : Presser foot is rapidly lowered. 1 : Presser foot is slowly lowered. | 0/1 | <input type="text" value=""/> <input type="text" value=""/> <input type="text" value="7"/> <input type="text" value="0"/> <input type="text" value=""/> <input type="text" value=""/> <input type="text" value=""/> <input type="text" value="0"/> | 45 |
| 71 | Double reverse feed stitching function | Effective/ineffective of double reverse feed stitching is changed over. (to be used only with CP-18) 0 : Ineffective 1 : Effective | 0/1 | <input type="text" value=""/> <input type="text" value=""/> <input type="text" value="7"/> <input type="text" value="1"/> <input type="text" value=""/> <input type="text" value=""/> <input type="text" value=""/> <input type="text" value="1"/> | |
| 72 | Sewing machine startup selecting function | Current limit at the startup of sewing machine is specified. 0 : Normal (Current limit is applied during startup) 1 : Rapid (Current limit is not applied during startup) | 0/1 | <input type="text" value=""/> <input type="text" value=""/> <input type="text" value="7"/> <input type="text" value="2"/> <input type="text" value=""/> <input type="text" value=""/> <input type="text" value=""/> <input type="text" value="1"/> | |
| 73 | Retry function | This function is used when needle cannot pierce materials . 0 : Retry function is not provided. 1 - 10 : Retry function is provided. 1 : Needle-bar returning force before operating the retry function: 1 (small) - 10 (large) | 0 to 10 | <input type="text" value=""/> <input type="text" value=""/> <input type="text" value="7"/> <input type="text" value="3"/> <input type="text" value=""/> <input type="text" value=""/> <input type="text" value=""/> <input type="text" value="1"/> | 45 |
| * 74 | With/without thread trimmer for MF | With/without thread trimmer for MF is selected. 0 : Not provided with the thread trimmer 1 : Provided with the thread trimmer | 0/1 | <input type="text" value=""/> <input type="text" value=""/> <input type="text" value="7"/> <input type="text" value="4"/> <input type="text" value=""/> <input type="text" value=""/> <input type="text" value=""/> <input type="text" value="0"/> | |
| 76 | One-shot function | One-shot operation up to the material end is specified. (to be used only with CP-18) 0 : One-shot operation is not performed. 1 : One-shot operation is performed. | 0/1 | <input type="text" value=""/> <input type="text" value=""/> <input type="text" value="7"/> <input type="text" value="6"/> <input type="text" value=""/> <input type="text" value=""/> <input type="text" value=""/> <input type="text" value="0"/> | 35 |
| * 84 | Initial motion suction time of presser foot lifting solenoid | Suction motion time of presser foot lifting solenoid | 50 to 500 (ms) | <input type="text" value=""/> <input type="text" value=""/> <input type="text" value="8"/> <input type="text" value="4"/> <input type="text" value=""/> <input type="text" value=""/> <input type="text" value="2"/> <input type="text" value="5"/> <input type="text" value="0"/> | 45 |

* Do not change the set values with asterisk (*) mark as they are functions for maintenance. If the standard set value set at the time of delivery is changed, it is in danger of causing the machine to be broken or the performance to be deteriorated. If it is necessary to change the set value, please purchase the Engineer's Manual and follow the instructions.

| No | Item | Description | Setting range | Indication of function setting | Ref. page |
|-----|---|---|----------------------|---|-----------|
| 87 | Function of pedal curve selection | Pedal curve is selected. (Improving pedal inching operation)  | 0/1/2 | <input type="text" value=""/> <input type="text" value="8"/> <input type="text" value="7"/> <input type="text" value=""/> <input type="text" value=""/> <input type="text" value="0"/> | 45 |
| 90 | Initial sewing-machine travel function | The function for automatically moving the sewing machine to a specified position immediately after turning the power ON. 0 : The function is disabled 1 : Sewing machine is initially stopped with its needle up 2 : Sewing machine is initially rotated in the reverse direction and stopped with its needle up | 0 to 2 | <input type="text" value=""/> <input type="text" value=""/> <input type="text" value="9"/> <input type="text" value="0"/> <input type="text" value=""/> <input type="text" value=""/> <input type="text" value="0"/> | 45 |
| 91 | Function of prohibiting compensation operation after turning hand-wheel by hand | It is effective in combination with the machine head provided with tension release function. 0 : Tension release function is ineffective. 1 : Tension release function is effective. | 0/1 | <input type="text" value=""/> <input type="text" value=""/> <input type="text" value="9"/> <input type="text" value="1"/> <input type="text" value=""/> <input type="text" value=""/> <input type="text" value="1"/> | |
| 92 | Function of reducing speed of reverse feed stitching at the start of sewing | Function to reduce speed at the time of completion of reverse feed stitching at the start of sewing. 0 : Speed is not reduced. 1 : Speed is reduced. | 0/1 | <input type="text" value=""/> <input type="text" value=""/> <input type="text" value="9"/> <input type="text" value="2"/> <input type="text" value=""/> <input type="text" value=""/> <input type="text" value="0"/> | 45 |
| 93 | Function added to needle up/down compensating switch | Operation of needle up/down compensating switch is changed after turning ON the power or thread trimming. 0 : Normal (needle up/down compensating stitching only) 1 : One stitch compensating stitching is performed only when aforementioned changeover is made. (Upper stop → upper stop) 2 : Needle-down function operates after thread trimming. 3 : Function of needle-down with operation of 2 plus presser lowering operation and needle-up with thread trimming operation is added. | 0 to 3 | <input type="text" value=""/> <input type="text" value=""/> <input type="text" value="9"/> <input type="text" value="3"/> <input type="text" value=""/> <input type="text" value=""/> <input type="text" value="0"/> | 45 |
| 94 | Continuous + One-shot non-stop function | The function that does not stop the sewing machine by combining continuous stitching with one-shot stitching using the program sewing function which is available in the IP operation panel. 0 : Normal (The sewing machine stops when a step is completed.) 1 : The sewing machine does not stop when a step is completed and proceeds to next step. | 0/1 | <input type="text" value=""/> <input type="text" value=""/> <input type="text" value="9"/> <input type="text" value="4"/> <input type="text" value=""/> <input type="text" value=""/> <input type="text" value="0"/> | 46 |
| 95 | Head selection function | Machine head to be used is selected. (When the machine head is changed, each setting item is changed to the initial value of the machine head.) | | <input type="text" value=""/> <input type="text" value=""/> <input type="text" value="9"/> <input type="text" value="5"/> <input type="text" value="L"/> <input type="text" value="U"/> <input type="text" value="5"/> <input type="text" value="1"/> | |
| 96 | Max. number of rotation setting | Max. number of rotation of the sewing machine head can be set. (The MAX value differs by machine head.) | 150 to MAX (sti/min) | <input type="text" value=""/> <input type="text" value=""/> <input type="text" value="9"/> <input type="text" value="6"/> <input type="text" value="3"/> <input type="text" value="0"/> <input type="text" value="0"/> <input type="text" value="0"/> | 46 |
| 103 | Needle cooler output OFF delay time | Delay time from the stop of sewing machine to the output OFF is specified using the needle cooler output function. | 100 to 2000 (ms) | <input type="text" value=""/> <input type="text" value="1"/> <input type="text" value="0"/> <input type="text" value="3"/> <input type="text" value=""/> <input type="text" value="5"/> <input type="text" value="0"/> <input type="text" value="0"/> | |
| 109 | LED lamp dimmer setting | Changes the output voltage of the machine head LED (5 V output in the case 100 % is set) | 0 to 100 (%) | <input type="text" value=""/> <input type="text" value="1"/> <input type="text" value="0"/> <input type="text" value="9"/> <input type="text" value=""/> <input type="text" value="1"/> <input type="text" value="0"/> <input type="text" value="0"/> | |
| 120 | Main shaft reference angle compensation | Main shaft reference angle is compensated. | -60 to 60 (°) | <input type="text" value=""/> <input type="text" value="1"/> <input type="text" value="2"/> <input type="text" value="0"/> <input type="text" value=""/> <input type="text" value=""/> <input type="text" value="0"/> | 46 |
| 121 | Up position starting angle compensation | Angle to detect UP position starting is compensated. | -15 to 15 (°) | <input type="text" value=""/> <input type="text" value="1"/> <input type="text" value="2"/> <input type="text" value="1"/> <input type="text" value=""/> <input type="text" value=""/> <input type="text" value="0"/> | 46 |
| 122 | DOWN position starting angle compensation | Angle to detect DOWN position starting is compensated. | -15 to 15 (°) | <input type="text" value=""/> <input type="text" value="1"/> <input type="text" value="2"/> <input type="text" value="2"/> <input type="text" value=""/> <input type="text" value=""/> <input type="text" value="0"/> | 46 |
| 124 | Setting of energy-saving function during standby | Setting to reduce the power consumption while the sewing machine is in standby state 0 : Energy-saving mode is ineffective 1 : Energy-saving mode is effective | 0/1 | <input type="text" value=""/> <input type="text" value="1"/> <input type="text" value="2"/> <input type="text" value="4"/> <input type="text" value=""/> <input type="text" value=""/> <input type="text" value="0"/> | 46 |
| 144 | Alternate up/down output cancelling stitch number setting | Sets the number of stitches to be sewn before the alternate up/down output is automatically cancelled 0 : Disabled 1 - 30 stitches | 0 to 30 (Stitches) | <input type="text" value=""/> <input type="text" value="1"/> <input type="text" value="4"/> <input type="text" value="4"/> <input type="text" value=""/> <input type="text" value=""/> <input type="text" value="0"/> | 46 |
| 146 | Alternate up/down output selection after thread trimming | Selects the status of the alternate up/down output to be forcibly output after thread trimming 0 : Output status is remained 1 : OFF is output 2 : ON is output | 0 to 2 | <input type="text" value=""/> <input type="text" value="1"/> <input type="text" value="4"/> <input type="text" value="6"/> <input type="text" value=""/> <input type="text" value=""/> <input type="text" value="0"/> | 46 |
| 147 | Alternate up/down initial output | Sets the status of the alternate up/down output upon turning the power on to either ON or OFF 0 : The previous power-off state is restored 1 : OFF is output 2 : ON is output | 0 to 2 | <input type="text" value=""/> <input type="text" value="1"/> <input type="text" value="4"/> <input type="text" value="7"/> <input type="text" value=""/> <input type="text" value=""/> <input type="text" value="0"/> | 46 |

* Do not change the set values with asterisk (*) mark as they are functions for maintenance. If the standard set value set at the time of delivery is changed, it is in danger of causing the machine to be broken or the performance to be deteriorated. If it is necessary to change the set value, please purchase the Engineer's Manual and follow the instructions.

| No | Item | Description | Setting range | Indication of function setting | Ref. page | | | | | | | |
|-----|---|---|---------------|--|-----------|---|---|--|--|--|---|----|
| 148 | 2-pitch (2-stitch length) output during reverse feed stitching at beginning/end of sewing | Carries out 2-pitch output during reverse feed stitching at the beginning and end of sewing 0 : The function is in the OFF state 1 : The function is in the ON state | 0/1 | <table border="1"><tr><td>1</td><td>4</td><td>8</td><td></td><td></td><td></td><td>0</td></tr></table> | 1 | 4 | 8 | | | | 0 | 47 |
| 1 | 4 | 8 | | | | 0 | | | | | | |
| 149 | 2-pitch inverted output during alternate up/down output | Sets the inverted output of 2-pitch output is carried out or not in synchronism with alternate up/down output 0 : The function is in the OFF state 1 : The function is in the ON state | 0/1 | <table border="1"><tr><td>1</td><td>4</td><td>9</td><td></td><td></td><td></td><td>0</td></tr></table> | 1 | 4 | 9 | | | | 0 | 47 |
| 1 | 4 | 9 | | | | 0 | | | | | | |
| 150 | 2-pitch initial output | Selects the status of the 2-pitch output upon turning the power on between ON and OFF 0 : The previous power-off state is restored 1 : OFF is output 2 : ON is output | 0 to 2 | <table border="1"><tr><td>1</td><td>5</td><td>0</td><td></td><td></td><td></td><td>0</td></tr></table> | 1 | 5 | 0 | | | | 0 | 47 |
| 1 | 5 | 0 | | | | 0 | | | | | | |
| 151 | Pause and stitch alignment function | Temporarily stops at every corner of the sewing pattern at the beginning and end of sewing and during overlapped stitching 0 : The function is in the OFF state 1 : The function is in the ON state | 0/1 | <table border="1"><tr><td>1</td><td>5</td><td>1</td><td></td><td></td><td></td><td>0</td></tr></table> | 1 | 5 | 1 | | | | 0 | 47 |
| 1 | 5 | 1 | | | | 0 | | | | | | |
| 154 | Condensation stitching function for beginning/end of sewing | Enabled when the SC-922 is used in combination with the machine head provided with condensation stitching function for thread trimming leaving shorter thread on the material The sewing machine performs condensation stitching at the beginning and end of sewing (Condensation stitching is performed instead of automatic reverse feed stitching.) 0 : The function is in the OFF state 1 : The function is in the ON state | 0/1 | <table border="1"><tr><td>1</td><td>5</td><td>4</td><td></td><td></td><td></td><td>0</td></tr></table> | 1 | 5 | 4 | | | | 0 | 47 |
| 1 | 5 | 4 | | | | 0 | | | | | | |
| 155 | Setting of the position of carrying out automatic presser foot lifting at neutral position of pedal | Automatic presser foot lifting at neutral position of pedal is carried out only when the sewing machine stops with its needle down. 0 : The function of automatic presser foot lifting at neutral position of pedal is enabled at all times 1 : The automatic presser foot lifting at neutral position of pedal is only enabled when the sewing machine stops with its needle down (Disabled when No. 93 Needle up/down correction switch adding function setting is "2.") | 0/1 | <table border="1"><tr><td>1</td><td>5</td><td>5</td><td></td><td></td><td></td><td>0</td></tr></table> | 1 | 5 | 5 | | | | 0 | 41 |
| 1 | 5 | 5 | | | | 0 | | | | | | |
| 156 | Needle thread grasping function | Enabled when the SC-922 is used in combination with the machine head provided with the needle thread grasping function Selects the status of the needle thread grasping function 0 : ON/OFF with the operation enabling switch 1 : Disables the needle thread grasping function 2 : Forcibly enables the needle thread grasping function | 0 to 2 | <table border="1"><tr><td>1</td><td>5</td><td>6</td><td></td><td></td><td></td><td>0</td></tr></table> | 1 | 5 | 6 | | | | 0 | 47 |
| 1 | 5 | 6 | | | | 0 | | | | | | |
| 158 | Condensation stitching function during thread trimming | Enabled when the SC-922 is used in combination with the machine head provided with condensation stitch function for thread trimming leaving shorter thread on the material Selects whether or not the condensation stitch for thread trimming leaving shorter thread on the material is output 0 : The function is in the OFF state 1 : The function is in the ON state | 0/1 | <table border="1"><tr><td>1</td><td>5</td><td>8</td><td></td><td></td><td></td><td>0</td></tr></table> | 1 | 5 | 8 | | | | 0 | |
| 1 | 5 | 8 | | | | 0 | | | | | | |
| 163 | Alternate up/down speed limitation enable | Limits the maximum sewing speed by means of the alternate up/down amount Refer to the Engineer's Manual for details. | 0/1 | <table border="1"><tr><td>1</td><td>6</td><td>3</td><td></td><td></td><td></td><td>0</td></tr></table> | 1 | 6 | 3 | | | | 0 | |
| 1 | 6 | 3 | | | | 0 | | | | | | |
| 164 | Standing operation pedal input high-speed switch function | Runs the sewing machine at a high speed whenever the standing operation pedal input exists 0 : The function is in the OFF state 1 : The function is in the ON state | 0/1 | <table border="1"><tr><td>1</td><td>6</td><td>4</td><td></td><td></td><td></td><td>0</td></tr></table> | 1 | 6 | 4 | | | | 0 | |
| 1 | 6 | 4 | | | | 0 | | | | | | |
| 167 | With/without bobbin thread remaining amount detection | Bobbin thread remaining amount detecting device is used. However, the bobbin thread counter operates normally regardless of the setting of the bobbin thread remaining amount detection. 0 : The function is in the OFF state 1 : The function is in the ON state | 0/1 | <table border="1"><tr><td>1</td><td>6</td><td>7</td><td></td><td></td><td></td><td>1</td></tr></table> | 1 | 6 | 7 | | | | 1 | 47 |
| 1 | 6 | 7 | | | | 1 | | | | | | |
| 168 | Bobbin thread remaining amount detecting function | Sets the function of the bobbin thread remaining amount detecting device Carry out setting referring to the Instruction Manual for the bobbin thread remaining amount detecting device. | 0 to 2 | <table border="1"><tr><td>1</td><td>6</td><td>8</td><td></td><td></td><td></td><td>0</td></tr></table> | 1 | 6 | 8 | | | | 0 | 47 |
| 1 | 6 | 8 | | | | 0 | | | | | | |
| 173 | Thread clamp ON retaining time | The period of time during which the thread clamp is held in ON state | 1 to 60 (sec) | <table border="1"><tr><td>1</td><td>7</td><td>3</td><td></td><td></td><td></td><td>3</td></tr></table> | 1 | 7 | 3 | | | | 3 | |
| 1 | 7 | 3 | | | | 3 | | | | | | |
| 174 | Thread tension changeover function | Tension release function on one side is turned ON/OFF in conjunction with other output. 0 : Disabled 1 : Turned OFF when alternate up/down output is turned ON, and turned ON when alternate up/down output is turned OFF 2 : Turned OFF upon alternate up/down output, and turned ON upon thread trimming | 0 to 2 | <table border="1"><tr><td>1</td><td>7</td><td>4</td><td></td><td></td><td></td><td>0</td></tr></table> | 1 | 7 | 4 | | | | 0 | |
| 1 | 7 | 4 | | | | 0 | | | | | | |
| 178 | Output of alternating vertical movement of walking foot and presser foot during reverse feed stitching at the beginning of sewing | ON signal for the alternating vertical movement of walking foot and presser foot during reverse feed stitching at the beginning of sewing is output. | 0/1 | <table border="1"><tr><td>1</td><td>7</td><td>8</td><td></td><td></td><td></td><td>0</td></tr></table> | 1 | 7 | 8 | | | | 0 | |
| 1 | 7 | 8 | | | | 0 | | | | | | |

* Do not change the set values with asterisk (*) mark as they are functions for maintenance. If the standard set value set at the time of delivery is changed, it is in danger of causing the machine to be broken or the performance to be deteriorated. If it is necessary to change the set value, please purchase the Engineer's Manual and follow the instructions.

| No | Item | Description | Setting range | Indication of function setting | Ref. page |
|-----|--|---|--------------------|--|-----------|
| 179 | Time limit for needle bar home position retaining | Length of time during which the needle bar is retained at its home position (No limit when 0 is set) | 0 to 10 (min) | <input type="text" value="1"/> <input type="text" value="7"/> <input type="text" value="9"/> <input type="text" value=""/> <input type="text" value=""/> <input type="text" value=""/> <input type="text" value="0"/> | 44 |
| 185 | Tension release ON retaining function | Length of time during which the tension release control is retained | 1 to 10 (min) | <input type="text" value="1"/> <input type="text" value="8"/> <input type="text" value="5"/> <input type="text" value=""/> <input type="text" value=""/> <input type="text" value=""/> <input type="text" value="3"/> | |
| 186 | Tension releasing function for condensation stitching with thread trimming | Operation of the tension releasing mechanism during condensation stitching with thread trimming 0 : Tension releasing mechanism does not operate 1 : Tension releasing mechanism operates | 0/1 | <input type="text" value="1"/> <input type="text" value="8"/> <input type="text" value="6"/> <input type="text" value=""/> <input type="text" value=""/> <input type="text" value=""/> <input type="text" value="0"/> | |
| 194 | Presser lifter and thread release interlocking function | This function actuates the thread releasing mechanism simultaneously with turning ON/OFF of the presser lifter. This function can be used for the machine head on which the presser lifter and the thread releasing mechanism do not work together. | 0/1 | <input type="text" value="1"/> <input type="text" value="9"/> <input type="text" value="4"/> <input type="text" value=""/> <input type="text" value=""/> <input type="text" value=""/> <input type="text" value="0"/> | |
| 196 | Condensation stitching function at the beginning of sewing | This function is enabled by combining with the machine head provided with condensation stitching for shorter-thread remaining thread trimmer. Condensation stitching is performed at the beginning of sewing. 0 : Condensation stitching is not carried out 1 : Condensation stitching is carried out 2 : Condensation stitching is carried out when the reverse feed stitching for the beginning of sewing is disabled. Condensation stitching is not carried out when it is enabled. | 0 to 2 | <input type="text" value="1"/> <input type="text" value="9"/> <input type="text" value="6"/> <input type="text" value=""/> <input type="text" value=""/> <input type="text" value=""/> <input type="text" value="0"/> | 48 |
| 197 | The number of condensation stitches at the beginning of sewing | The number of condensation stitches to be sewn at the beginning of sewing | 0 to 19 (Stitches) | <input type="text" value="1"/> <input type="text" value="9"/> <input type="text" value="7"/> <input type="text" value=""/> <input type="text" value=""/> <input type="text" value=""/> <input type="text" value="2"/> | 48 |
| 235 | Optical sensor function | Uses the optical sensor function | 0/1 | <input type="text" value="2"/> <input type="text" value="3"/> <input type="text" value="5"/> <input type="text" value=""/> <input type="text" value=""/> <input type="text" value=""/> <input type="text" value="0"/> | 49 |
| 236 | Optical sensor filter function | Sets enable/disable of the optical sensor filter function (used in combination with No. 237) | 0/1 | <input type="text" value="2"/> <input type="text" value="3"/> <input type="text" value="6"/> <input type="text" value=""/> <input type="text" value=""/> <input type="text" value=""/> <input type="text" value="0"/> | 49 |
| 237 | Number of stitches for the optical sensor filter | Sets the number of stitches for filtering the optical sensor input | 0 to 99 (Stitches) | <input type="text" value="2"/> <input type="text" value="3"/> <input type="text" value="7"/> <input type="text" value=""/> <input type="text" value=""/> <input type="text" value=""/> <input type="text" value="0"/> | 49 |
| 238 | Number of stitches for stopping the sewing machine after optical sensor input | Sets the number of stitches to be sewn from the optical sensor input to the stop of the sewing machine | 0 to 99 (Stitches) | <input type="text" value="2"/> <input type="text" value="3"/> <input type="text" value="8"/> <input type="text" value=""/> <input type="text" value=""/> <input type="text" value=""/> <input type="text" value="7"/> | 49 |
| 239 | Number of times of optical sensor detection | The sewing machine stops every time the optical sensor input is turned ON and carries out automatic thread trimming when the set number is reached. | 1 to 15 (times) | <input type="text" value="2"/> <input type="text" value="3"/> <input type="text" value="9"/> <input type="text" value=""/> <input type="text" value=""/> <input type="text" value=""/> <input type="text" value="1"/> | 49 |
| 242 | Pedal depressing speed limiting function | 0 : The function is disabled. 1 : Fixed at the one-shot speed 2 : Limited to the one-shot speed 3 : When the optical sensor is enabled, the sewing machine runs under the automatic mode upon depress on the pedal. | 0 to 3 | <input type="text" value="2"/> <input type="text" value="4"/> <input type="text" value="2"/> <input type="text" value=""/> <input type="text" value=""/> <input type="text" value=""/> <input type="text" value="0"/> | 49 |
| 247 | Optical sensor thread-trimming prohibiting function | 0 : Thread trimming is enabled 1 : Thread trimming is prohibited | 0/1 | <input type="text" value="2"/> <input type="text" value="4"/> <input type="text" value="7"/> <input type="text" value=""/> <input type="text" value=""/> <input type="text" value=""/> <input type="text" value="0"/> | 49 |
| 251 | Optical sensor input logic changeover | Input logic of the optical sensor 0 : OR input 1 : AND input | 0/1 | <input type="text" value="2"/> <input type="text" value="5"/> <input type="text" value="1"/> <input type="text" value=""/> <input type="text" value=""/> <input type="text" value=""/> <input type="text" value="0"/> | 49 |
| 252 | Correction of reverse stitching ON at start (when the number of stitches is set to one) | The correction angle of the reverse stitching solenoid activation, when the reverse stitching is carried out at the beginning of sewing, is set. This angle is used in the case A process is set to one stitch. | 0 to 36 (10°) | <input type="text" value="2"/> <input type="text" value="5"/> <input type="text" value="2"/> <input type="text" value=""/> <input type="text" value=""/> <input type="text" value=""/> <input type="text" value="2"/> <input type="text" value="5"/> | 43 |
| 253 | Correction of reverse stitching OFF at start (when the number of stitches is set to one) | The correction angle of the reverse stitching solenoid release, when the reverse stitching is carried out at the beginning of sewing, is set. This angle is used in the case B process is set to one stitch. | 0 to 36 (10°) | <input type="text" value="2"/> <input type="text" value="5"/> <input type="text" value="3"/> <input type="text" value=""/> <input type="text" value=""/> <input type="text" value=""/> <input type="text" value="2"/> <input type="text" value="5"/> | 43 |
| 254 | Correction of reverse stitching OFF at end (when the number of stitches is set to one) | The correction angle of the reverse stitching solenoid release, when the reverse stitching is carried out at the end of sewing, is set. This angle is used in the case D process is set to one stitch. | 0 to 36 (10°) | <input type="text" value="2"/> <input type="text" value="5"/> <input type="text" value="4"/> <input type="text" value=""/> <input type="text" value=""/> <input type="text" value=""/> <input type="text" value="2"/> <input type="text" value="5"/> | 43 |

* Do not change the set values with asterisk (*) mark as they are functions for maintenance. If the standard set value set at the time of delivery is changed, it is in danger of causing the machine to be broken or the performance to be deteriorated. If it is necessary to change the set value, please purchase the Engineer's Manual and follow the instructions.

8. Detailed explanation of selection of functions

① Selection of the soft-start function (Function setting No. 1 and 37)

The needle thread may fail to interlace with the bobbin thread at the start of sewing when the stitching pitch (stitch length) is small or a thick needle is used. To solve such problem, this function (called "soft-start") is used to limit the sewing speed, thereby assuring successful formation of the starting stitches.

1 1

0 : The function is not selected.

1 to 9 : The number of stitches to be sewn under the soft-start mode.

The sewing speed limited by the soft-start function can be changed. (Function setting No. 37)

3 7 1 7 0

Data setting range

100 to MAX sti/min < 10 sti/min >

(The MAX value varies with the machine head.)

② Material edge sensor function (function setting Nos. 2 - 4, 76)

This function is enabled when the material edge sensor is installed on the sewing machine.

Refer to "[III-18. How to connect the material edge sensor](#)" p.57 for details.

(Caution) This function is rendered effective only with the CP-18.

③ Flicker reducing function (Function setting No. 5)

The function reduces flickering of the hand lamp at the start of sewing.

5 0

0 : Flicker reducing function is ineffective

1 : Flicker reducing function is effective

(Caution) When the flicker reducing function is set at the "Flicker reducing function is effective," the startup speed of the sewing machine decreases.

④ Bobbin thread counting function (Function setting No. 6)

When the control panel is used, the function subtracts from the predetermined value and indicates the used amount of bobbin thread.

For the details, refer to the instruction manual for the control panel.

6 1

0 : Bobbin thread counting function is not operative.

1 : Bobbin thread counting function is operative.

(Caution) If "0" is set, the LCD indication on the control panel will go out and the bobbin thread counting function will be invalid.

⑤ Thread trimming prohibiting function (Function setting No. 9)

This function turns OFF thread trimming solenoid output and wiper solenoid output when thread trimming is actuated.

(Caution) This function is rendered effective only with the CP-18.

By this function, separate sewing material can be spliced and sewn without trimming thread.

9 0

0 : off Thread trimming is operative. (thread can be trimmed).

1 : on Thread trimming is inoperative. (thread can not be trimmed).

⑥ Setting of the needle bar stop position when the sewing machine stops (Function setting No. 10)

The position of the needle bar when the pedal is in its neutral position is specified.

1 0 0

0 : Down The needle bar stops in the lowest position of its stroke.

1 : Up The needle bar stops in the highest position of its stroke.

(Caution) If the stop position of the needle bar is set to the highest position, the thread trimming action will be taken after the needle bar comes down once to the lowest position.

⑦ Panel operating sound (Function setting No. 11)

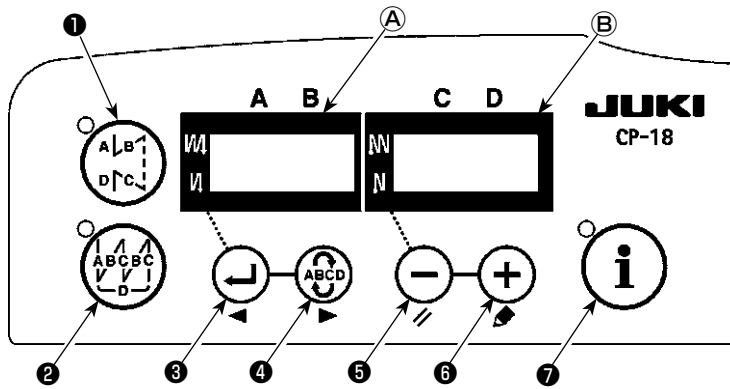
Whether the panel operation generates sound or not can be selected.

1 1 1

0 : off Operation confirmation sound is not generated

1 : on Operation confirmation sound is generated.

⑧ Selection of the optional input/output function (Function setting No. 12)



1 2 o P T _

Select function setting No. 12 with the operating procedure of function setting procedures 1) through 3).

o P T _ _ E n d

Select the items of "End", "in" and "oUT" with keys 5 and 6.

i n _ _

o U T _

i 0 1 * * *

[When "in" is selected]

The input function setting connector display number is displayed on indicator A. Specify the display number with key 3 or 4. Specify the connector pin function corresponding to the displayed number by means of key 5 or 6. Function code and abbreviation are displayed alternately on indicator B. In the case "----" is displayed, the function code and the abbreviation are automatically determined according to the selected machine head. (Refer to the appendix for the relation between display numbers and connector pins assignment.)

i 3 2

o 0 1 * * *

[When "oUT" is selected]

The output function setting connector display number is displayed on indicator A. Specify the display number with key 3 or 4. Specify the connector pin function corresponding to the displayed number by means of key 5 or 6. Function code and abbreviation are displayed alternately on indicator B. In the case "----" is displayed, the function code and the abbreviation are automatically determined according to the selected machine head. (Refer to the appendix for the relation between display numbers and connector pins assignment.)

o 3 2

*** Example) Setting the thread trimming function for the display No. i01 (CN44-4) of the input function setting connector.**

1 2 o P T _

1. Select function setting No. 12 with the operating procedure of function setting procedures 1) through 3).

o P T _ i n _ _

2. Select the item of "in" with keys 5 and 6.

i 0 1 n o P

3. Select i01 with key 4.

i 0 1 T S W

4. Select the thread trimming function, "TSW" with keys 5 and 6.

↑ Lighting alternately

L 4

5. Determine the thread trimming function, "TSW" with key 4.

i 0 1 L 4

6. Set ACTIVE of the signal with keys 5 and 6.

H 4

Set the display to "L" when the signal is "Low" and performing thread trimming, and set the display to "H" when the signal is "High" and performing thread trimming.

i 0 2 n o P

7. Determine the aforementioned function with key 4.

o P T _ i n

8. Finish the optional input with key 4.

E n d

9. Select the item of "End" with keys 5 and 6 to return to the function setting mode.

Input function list

| Function code | Abbreviation | Function item | Remarks |
|---------------|--------------|--|--|
| 0 | noP | No function | (Standard setting) |
| 1 | HS | Needle up / down compensating stitching | Every time the switch is pressed, normal feed stitching by half stitch is performed. (Same operation as that of up / down compensating stitching switch on the panel.) |
| 2 | bHS | Back compensating stitching | Reverse feed stitching is performed at low speed while the switch is held pressing. (It is effective only when a constant-dimension sewing is selected.) |
| 3 | EbT | Function of canceling once reverse feed stitching at the end of sewing | By depressing the back part of the pedal after pressing the switch, operation of reverse feed stitching is canceled once. |
| 4 | TSW | Thread trimming function | This function is actuated as the thread trimming switch. |
| 5 | FL | Presser foot lifting function | This function is actuated as the foot lifter switch. |
| 6 | oHS | One stitch compensating stitching | Every time the switch is pressed, one stitch stitching operation is executed. |
| 7 | SEbT | Function of cancel of reverse feed stitching at start/end | By operating the optional switch, ineffective/effective can be alternately changed over. |
| 8 | PnFL | Presser lifting function when pedal is neutral | Every time the switch is pressed, the function whether automatically lifting the presser foot when the pedal is neutral or not can be selected. |
| 9 | Ed | Material edge sensor input | This function works as the input signal of material edge sensor. |
| 10 | LinH | Function of prohibiting depressing front part of pedal | Rotation by pedal is prohibited. |
| 11 | TinH | Function of prohibiting thread trimming output | Output of thread trimming is prohibited. |
| 12 | LSSW | Low speed command input | This function works as low speed switch for standing sewing machine. |
| 13 | HSSW | High speed command input | This function works as high speed switch for standing sewing machine. |
| 14 | USW | Needle lifting function | UP stop motion is performed when switch is pressed during DOWN stop. |
| 15 | bT | Reverse feed stitching switch input | Reverse feed stitching is output as long as the switch is held pressed. |
| 16 | SoFT | Soft start switch input | The speed of stitch is limited to the predetermined soft-start speed as long as the switch is held pressed. |
| 17 | oSSW | One-shot speed command switch input | This function works as one-shot speed command as long as the switch is pressed. |
| 18 | bKoS | Backward one-shot speed command switch input | Reverse feed stitching is performed in accordance with the one-shot speed command as long as the switch is held pressed. |
| 19 | SFSW | Safety switch input | Rotation is prohibited. |
| 20 | MES | Thread trimming safety switch input | It operates as an input signal of the thread trimmer safety switch. |
| 21 | AUbT | Automatic reverse feed stitching cancellation/addition switch | Every time the switch is pressed, reverse feed stitching at sewing start or reverse feed stitching at sewing end is cancelled or added. |
| 22 | CUnT | Sewing counter input | Every time the switch is pressed, the sewing counter value is increased. |
| 23 | rSW | Reverse-rotation needle-up function | When the switch is pressed while the sewing machine is at rest with its needle up, the machine rotates in reverse direction and brakes to stop at the specified angle. When the switch is pressed while the sewing machine is at rest with its needle down, the machine rotates in normal direction and brakes to stop at the specified angle. |
| 24 | vErT | Alternate up/down amount conversion panel switch input | Alternate up/down conversion output is inverted every time the switch is pressed. |
| 25 | vSW | Alternate up/down amount conversion knee switch input | Alternate up/down conversion is output as long as the switch is held pressed |
| 26 | 2PiT | 2-pitch alternate input | 2-pitch output is inverted every time the switch is pressed |
| 27 | 2PSW | 2-pitch momentary switch input | 2-pitch is output as long as the switch is held pressed |

| Function code | Abbreviation | Function item | Remarks |
|---------------|--------------|--|---|
| 28 | bbCG | Bobbin replacement switch input | Startup of the sewing machine is disabled when the switch is turned ON for the first time. (Bobbin replacement) The presser foot is lowered and the normal operation is restored when the switch is turned ON for the second time. |
| 29 | CGUd | Center guide switch input | Center guide output is inverted every time the switch is pressed. |
| 30 | TCSW | Thread grasping switch input | Thread grasping function is enabled as long as the switch is held pressed. |
| 31 | ALFL | Presser lifter alternate switch input | Presser lifter output is inverted every time the switch is pressed. |
| 32 | CAbT | S/EBT 1-time cancellation input | Reverse feed stitching at the beginning or end of sewing, to be performed after a press on the switch, is cancelled once. |
| 33 | SToP | Stop switch input | The sewing machine is stopped and the operation is prohibited as long as the switch is held pressed. |
| 34 | bCGP | Bobbin replacement P-switch input | When the switch is turned ON for the first time, the sewing machine stops with its needle up, then presser foot goes up and the start-up of the sewing machine is disabled. (Bobbin replacement) The presser foot is lowered and the normal operation is restored when the switch is turned ON for the second time. |
| 35 | Tiin | Tsw command prohibition input | Thread trimming command is prohibited. |
| 36 | USTP | Lsw command prohibition/needle-up stop input | Sewing by means of the pedal switch is prohibited. The sewing machine stops with its needle up during sewing. |
| 37 | Abin | Reverse-feed sewing prohibiting function | Prohibits reverse-feed sewing at the beginning/end of sewing as long as the switch is held pressed |
| 38 | FSTP | Forced stop switch input | Immediately brings the sewing machine into the forced stop state and prohibits from performing sewing when the switch is pressed |
| 39 | CUSr | Custom-output reset input | Clears custom outputs 1 to 3 |
| 40 | LGTS | Optical sensor input | Operates as the input signal of the optical sensor |
| 41 | CTrS | Counter reset | Fulfills the same function as the counter reset switch on the operation panel |
| 42 | rbob | General-purpose remaining-amount detection input | Works as the input signal of the bobbin-thread remaining amount detection sensor |
| 43 | TL2 | Tension changeover switch input | Changes over the thread release state on one side every time the switch is pressed |
| 44 | ALTC | Thread grasping alternate input | Changes over enable/disable of the thread grasping function every time the switch is pressed |
| 45 | TrMd | Thread trimming prohibition input | Every time the switch is pressed, the thread trimming prohibition status is changed over between ON and OFF. |
| 46 | bTP | Fastening stitch alignment changeover input | Changes over the status of the fastening stitch alignment between ON and OFF (Same as the enable/disable changeover of function setting No. 151) |
| 47 | FLTL | Presser lifter and thread release interlock changeover input | Changes over the status of the presser lifter and thread release interlock function between ON and OFF (Same as the enable/disable changeover of function setting No. 194) |
| 48 | SHrG | Shirring input function | The step of a shirring pattern moves to the next one. |
| 49 | SGCA | Shirring reset input function | This Function setting number is used for changing over the shirring function between enable/disable. |
| 50 | SSTL | Tension release changeover input for condensation stitching with thread trimming | This Function setting number is used for changing over the tension releasing function for condensation stitching with thread trimming between ON/OFF. (Same as the changeover between operation/no-operation of Function setting No. 186) |
| 51 | SrCd | Condensation stitching at the beginning of sewing changeover input | This function number is used for changing over the condensation stitching function at the beginning of sewing between ON/OFF. (Equivalent to the changeover between 0/1 of Function setting No. 196) |

Output function list

| Function code | Abbreviation | Function item | Remarks |
|---------------|--------------|--|--|
| 0 | noP | No function | (Standard setting) |
| 1 | TrM | Thread trimming output | Output of thread trimming signal |
| 2 | WiP | Thread wiper output | Output of thread wiper signal |
| 3 | TL | Thread release output | Output of thread release signal |
| 4 | FL | Presser lifter output | Output of presser lifting signal |
| 5 | bT | Reverse feed stitching output | Output of reverse feed stitching signal |
| 6 | EbT | EBT cancel monitor output | State of one time cancel of reverse feed stitching at end function is output. |
| 7 | SEbT | Reverse feed stitching at start/end cancel monitor output | State of cancel of reverse feed stitching at start/end is output. |
| 8 | AUbT | Sewing start/end cancellation/addition monitor output | State of cancel or addition of automatic reverse feed stitching is output. |
| 9 | SSTA | Sewing machine stop state output | Sewing machine stop state is output. |
| 10 | Cool | Needle cooler output | Output for needle cooler |
| 11 | bUZ | Buzzer output | It is output when the bobbin counter set value has been exceeded, an error has occurred or the bobbin thread remaining amount is detected. |
| 12 | LSWo | Revolution command output | Revolution demanding command state is output. |
| 13 | vErT | Alternate up/down amount conversion (monitor) output | Alternate up/down amount conversion signal is output. |
| 14 | 2PiT | 2-pitch output | 2-pitch signal is output. |
| 15 | bCGo | Bobbin replacement monitor output | Sewing machine start-up prohibition state during bobbin replacement is output. |
| 16 | TC | Thread grasping enabled state monitor output | Thread grasping enabled state is output. |
| 17 | CAbT | S/EBT 1-time cancellation monitor output | One-time cancellation state of the reverse feed stitching at the beginning or end of sewing is output. |
| 18 | SToP | Stop state monitor output | Sewing machine operation prohibition state is output. |
| 19 | AEbo | Thread remaining amount detecting device air-blow output | Air blow output when the thread remaining amount detecting device is used. |
| 20 | UdET | Upper position output | Output of needle-up position state |
| 21 | ddET | Lower position output | Output of needle-down position state |
| 22 | UPWo | Upper position travel state output | Monitor output while the needle goes up to its upper position. |
| 23 | HAWo | Needle up/down correction operation output | Monitor output while the needle up/down correction operation is being carried out. |
| 24 | TSWo | Tsw command monitor output | Thread trimming command status is output. |
| 25 | CUS1 | Custom output 1 output | Refer to the Engineer's Manual for details. |
| 26 | CUS2 | Custom output 2 output | Refer to the Engineer's Manual for details. |
| 27 | CUS3 | Custom output 3 output | Refer to the Engineer's Manual for details. |
| 28 | THLD | Thread clamp output | Output of the thread clamp at the beginning of sewing which is used in combination with the optical sensor |
| 29 | TL2 | Tension increasing state monitor output | Monitor output of the OFF state of the thread release function |
| 30 | TrMd | Thread trimming prohibition status monitor output | Monitor output of the thread trimming prohibition status |
| 31 | bTP | Fastening stitch alignment status monitor output | Monitor output of the fastening stitch alignment status |
| 32 | FLTL | Presser lifter and thread release interlock status monitor output | Monitor output of the presser lifter and thread release interlock status |
| 33 | CGUd | Center guide output | Outputs the center guide |
| 34 | CGEM | Center guide control status monitor output | Monitor output of the center guide control status |
| 35 | SGCA | Shirring reset monitor output | Output for monitoring the shirring resetting status |
| 36 | SSTL | Monitor output of tension release status for condensation stitching with thread trimming | Output for monitoring the status of tension release for condensation stitching with thread trimming |
| 37 | SrCd | Monitor output of condensation stitching status at the beginning of sewing | Output for monitoring the status of condensation stitching at the beginning of sewing |

Input function setting connectors

| Connector No. | Pin No. | Display No. | Initial value of function setting |
|---------------|---------|-------------|--|
| CN44 | 4 | i01 | Machine head switch 1 input |
| | 5 | i02 | Machine head switch 2 input |
| | 6 | i03 | Machine head switch 3 input |
| | 7 | i04 | Machine head switch 4 input |
| | 8 | i05 | Machine head switch 5 input |
| | 9 | i06 | Machine head switch 6 input |
| | 10 | i07 | Machine head switch 7 input |
| | 11 | i08 | Machine head switch 8 input |
| CN58 | 15 | i09 | Option 1 input |
| | 16 | i10 | Option 2 input |
| | 17 | i11 | Option 3 input |
| | 18 | i12 | Option 4 input |
| | 19 | i13 | Option 5 input |
| | 20 | i14 | Option 6 input |
| | 21 | i15 | Option 7 input |
| | 22 | i16 | Option 8 input |
| CN51 | 4 | i17 | Option 9 input |
| | 5 | i18 | Option 10 input |
| | 6 | i19 | Option 11 input |
| | 7 | i20 | Option 12 input |
| | 8 | i21 | Option 13 input |
| | 9 | i22 | Option 14 input |
| | 10 | i23 | Option 15 input |
| | 11 | i24 | Option 16 input |
| CN39 | 7 | i25 | TSW (thread trimming switch input) |
| | 11 | i26 | LSSW (low speed switch) |
| | 9 | i27 | HSSW (high speed switch) |
| | 5 | i28 | FL (presser lifter switch input) |
| CN48 | 2 | i29 | SFSW (safety switch input) |
| | 1 | i30 | noP (no function is assigned) |
| CN36 | 4 | i31 | FL (presser lifter switch input) |
| | 5 | i32 | bT (reverse feed stitching switch input) |

Output function setting connector

| Connector No. | Pin No. | Display No. | Initial value of function setting |
|---------------|---------|-------------|-----------------------------------|
| CN44 | 15 | o01 | Machine head LED 1 output |
| | 16 | o02 | Machine head LED 2 output |
| | 17 | o03 | Machine head LED 3 output |
| | 18 | o04 | Machine head LED 4 output |
| | 19 | o05 | Machine head LED 5 output |
| | 20 | o06 | Machine head LED 6 output |
| | 21 | o07 | Machine head LED 7 output |
| | 22 | o08 | Machine head LED 8 output |
| CN59 | 11 | o09 | Option 1 output |
| | 12 | o10 | Option 2 output |
| | 13 | o11 | Option 3 output |
| | 14 | o12 | Option 4 output |
| | 15 | o13 | Option 5 output |
| | 16 | o14 | Option 6 output |
| | 17 | o15 | Option 7 output |
| | 18 | o16 | Option 8 output |
| | 19 | o17 | Option 9 output |
| | 20 | o18 | Option 10 output |
| | 21 | o19 | Option 11 output |
| | 22 | o20 | Option 12 output |
| | 23 | o21 | Option 13 output |
| | 24 | o22 | Option 14 output |
| | 25 | o23 | Option 15 output |
| | 26 | o24 | Option 16 output |
| CN51 | 15 | o25 | Option 17 output |
| | 16 | o26 | Option 18 output |
| | 17 | o27 | Option 19 output |
| | 18 | o28 | Option 20 output |
| | 19 | o29 | Option 21 output |
| | 20 | o30 | Option 22 output |
| | 21 | o31 | Option 23 output |
| | 22 | o32 | Option 24 output |

⑨ **Sewing counting function (Function setting No. 14)**

The function counts up every time thread trimming is completed and counts the number of completion of the sewing process.

0 : off Sewing counting function is inoperative.

1 : on Sewing counting function is operative. (Every time thread trimming is performed)

2 : on External sewing counter switch input.

(Caution) The sewing counter can only be operative when the CP-180 is used with the sewing machine.

The counter indication changes as shown below according to the combination of setting No. 6 and setting No. 14.

| Setting No. 6 | Setting No. 14 | Counter |
|---------------|----------------|-----------------------------------|
| 1 | 1 | Bobbin counter |
| 1 | 0 | Bobbin counter |
| 0 | 1 | Sewing counter (only with CP-180) |
| 0 | 0 | Counter function is ineffective. |

⑩ **Neutral automatic presser lifting function (with AK device only) (Function setting Nos. 21 and 155)**

This function can automatically lift the presser foot when the pedal is in the neutral position.

The automatic lifting time depends on the No. 47 Automatic presser foot lifter retaining time. In the case the presser foot automatically comes down, the presser foot automatically goes up by bringing it to the neutral position after it has moved away from that position. (Solenoid type only)

(Caution) This function is disabled when No. 93 Needle up/down switch additional function setting is "2."

Function of automatic presser foot lifting at neutral position of pedal (function setting No. 21)

0 : Not provided with the function of automatic presser foot lifting at neutral position of pedal

1 : Provided with selectable function of automatic presser foot lifting at neutral position of pedal

2 : Provided with the function of automatic presser foot lifting at neutral position of pedal when enabled and added with the function of conducting alternate operation by depressing the back part of pedal

(Caution) The alternate function is carried out regardless of the setting of No. 155.

Setting of the position of carrying out automatic presser foot lifting at neutral position of pedal (function setting No.155)

0 : The function of automatic presser foot lifting at neutral position of pedal is enabled at all times

1 : The automatic presser foot lifting at neutral position of pedal is only enabled when the sewing machine stops with its needle down

⑪ **Needle up/down switch function changeover function (Function setting No. 22)**

The needle up/down switch function can be changed over between the needle up/down compensation and one stitch compensation.

0 : Needle up / down compensating stitching

1 : One stitch compensating stitching

⑫ **Setting of the suction time of the back-tack solenoid (Function setting No. 29)**

This function can change the suction time of the back-tack solenoid.

It is effective to decrease the value when the heat is high.

(Caution) When the value is excessively decreased, failure of motion or defective pitch will follow.

Be careful when changing the value.

Setting range : 50 to 500 ms < 10 ms >

⑬ **Function of reverse feed stitching on the way (Function setting Nos. 30 to 33)**

Functions of the limit of number of stitches and thread trimming command can be added to the touch back switch on the sewing machine head.

Function setting No. 30

300

Function of reverse feed stitching on the way is selected.

0 : off Normal back-tack function

1 : on Function of reverse feed stitching on the way

Function setting No. 31

314

Number of stitches performing reverse feed stitching is set.

Setting range

0 to 19 stitches

Function setting No. 32

320

Effective condition of reverse feed stitching on the way

0 : off Inoperative when the sewing machine stops. (Reverse feed stitching on the way functions only when the sewing machine is running.)

1 : on Operative when the sewing machine stops.

(Reverse feed stitching on the way functions both when the sewing machine is running and stops.)

(Caution) Either condition is operative when the sewing machine is running.

Function setting No. 33

330

Thread trimming is performed when reverse feed stitching on the way is completed.

0 : off Without thread trimming

1 : on Thread trimming is executed.

| Appli- cation | Function setting | | | Output function |
|------------------|------------------|--------|--------|---|
| | No. 30 | No. 32 | No. 33 | |
| ① | 0 | 0 or 1 | 0 or 1 | It works as normal touch-back switch. |
| ② | 1 | 0 | 0 | When operating touch-back switch at the time of depressing front part of the pedal, reverse feed stitching as many as the number of stitches specified by the function setting No. 31 can be performed. |
| ③ | 1 | 1 | 0 | When operating touch-back switch at the time of either stop of the sewing machine or depressing front part of the pedal, reverse feed stitching as many as the number of stitches specified by the function setting No. 31 can be performed. |
| ④ | 1 | 0 | 1 | When operating touch-back switch at the time of depressing front part of the pedal, automatic thread trimming is performed after reverse feed stitching as many as the number of stitches specified by the function setting No. 31 has been performed. |
| ⑤ | 1 | 1 | 1 | When operating touch-back switch at the time of either stop of the sewing machine or depressing front part of the pedal, automatic thread trimming is performed after reverse feed stitching as many as the number of stitches specified by the function setting No. 31 has been performed. |

Actions under each setting state

① Used as the normal reverse feed stitching touch-back switch.

② Used for reinforcing seam (press sewing) of the pleats. (It works only when the sewing machine is running.)

③ Used for reinforcing seam (press sewing) of the pleats.

(It works either when the sewing machine stops or when the sewing machine is running.)

④ Used as starting switch for reverse feed stitching at the sewing end.

(Used as the substitute for thread trimming by depressing back part of the pedal. It works only when the sewing machine is running. It is especially effective when the sewing machine is used as the standing-work machine.)

⑤ Used as starting switch for reverse feed stitching at the sewing end.

(Used as the substitute for thread trimming by depressing back part of the pedal. It works either when the sewing machine stops or when the sewing machine is running. It is especially effective when the sewing machine is used as the standing-work machine.)

⑭ **Number of rotation of one-shot stitching (Function setting No. 38)**

This function can set, by the pedal operation of one time, the sewing speed of one-shot stitching when the sewing machine continues stitching until completing the number of stitches specified or detecting the material end.

381500 Setting range : 150 to MAX sti/min < 50 sti/min >

(Caution) The max. number of rotation of one-shot stitching is limited by the model of the sewing machine head.

⑮ **Holding time of lifting presser foot (Function setting No. 47)**

This function automatically lowers the presser foot when the time set with the setting No. 47 has passed after lifting the presser foot.

When the pneumatic type presser foot lifter is selected, the holding time control of lifting presser foot is limitless regardless of the set value.

4760 Setting range : 10 to 600 sec < 10 sec >

⑩ Compensation of timing of the solenoid for reverse feed stitching (Function setting No. 51 to 53, 252 to 254)

When the normal and reverse feed stitches are not uniform under the automatic reverse feed stitching action, this function can change the ON / OFF timing of the solenoid for back tack and compensate the timing.

(Caution) 1. These functions are enabled when the function setting No. 151 Fastening stitch alignment is set to OFF.

2. In the case the timing of the solenoid cannot be corrected with ease due to a large stitching pitch, it is recommended to reduce the number of revolutions of reverse feed stitching (No. 8).

3. Also refer "III-11. Stitch alignment for the reverse stitching at the end of sewing (for heavy-weight materials)" p.51 for the procedure for correcting the ON timing of the reverse stitching solenoid at the end of sewing.

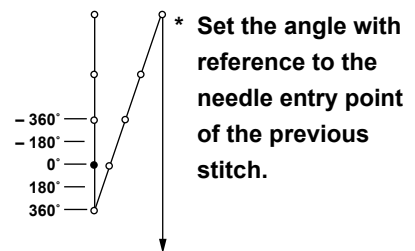
① Compensation of on-timing of solenoid for reverse feed stitching at the start of sewing (Function setting No. 51, 252)

On-timing of solenoid for reverse feed stitching at the start of sewing can be compensated by the unit of angle. No. 252 is used in the case the number of stitches of A process is set to one stitch.

5 1 1 1 Adjusting range : -36 to $36 < 1 / 10^\circ >$

2 5 2 2 5 Adjusting range : 0 to $36 < 1 / 10^\circ >$

| Set value | Compensation angle | Number of stitches of compensation |
|-----------|--------------------|------------------------------------|
| -36 | -360° | -1 |
| -18 | -180° | -0.5 |
| 0 | 0° | 0 |
| 18 | 180° | 0.5 |
| 36 | 360° | 1 |



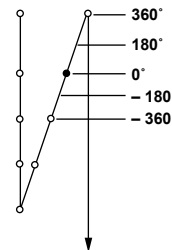
② Compensation of off-timing of solenoid for reverse feed stitching at the start of sewing (Function setting No. 52, 253)

Off-timing of solenoid for reverse feed stitching at the start of sewing can be compensated by the unit of angle. No. 253 is used in the case the number of stitches of B process is set to one stitch.

5 2 1 3 Adjusting range : -36 to $36 < 1 / 10^\circ >$

2 5 3 2 5 Adjusting range : 0 to $36 < 1 / 10^\circ >$

| Set value | Compensation angle | Number of stitches of compensation |
|-----------|--------------------|------------------------------------|
| -36 | -360° | -1 |
| -18 | -180° | -0.5 |
| 0 | 0° | 0 |
| 18 | 180° | 0.5 |
| 36 | 360° | 1 |



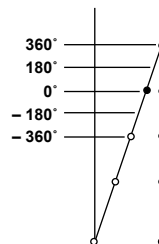
③ Compensation of off-timing of solenoid for reverse feed stitching at the end of sewing (Function setting No. 53, 254)

Off-timing of solenoid for reverse feed stitching at the start of sewing can be compensated by the unit of angle. No. 254 is used in the case the number of stitches of D process is set to one stitch.

5 3 4 Adjusting range : -36 to $36 < 1 / 10^\circ >$

2 5 4 2 5 Adjusting range : 0 to $36 < 1 / 10^\circ >$

| Set value | Compensation angle | Number of stitches of compensation |
|-----------|--------------------|------------------------------------|
| -36 | -360° | -1 |
| -18 | -180° | -0.5 |
| 0 | 0° | 0 |
| 18 | 180° | 0.5 |
| 36 | 360° | 1 |



⑰ Foot lift function after thread trimming (Function setting No. 55)

This function can automatically lift the presser foot after thread trimming. This function is effective only when it is used in combination with the AK device.

- 5 5 1
- 0 : off Function of automatically lifting the presser foot is not provided. (Presser foot does not automatically go up after thread trimming.)
 - 1 : on Function of automatically lifting the presser foot is provided. (Presser foot automatically goes up after thread trimming.)

⑱ **Reverse revolution to lift the needle after thread trimming (Function setting No. 56)**

This function is used to make the sewing machine rotate in the reverse direction after thread trimming to lift the needle bar almost to highest position. Use this function when the needle appears under the presser foot and it is likely to make scratches on the sewing products of heavy-weight material or the like.

- 5 6** **1** 0 : off Function of making the sewing machine rotate in the reverse direction to lift the needle after thread trimming is not provided.
1 : on Function of making the sewing machine rotate in the reverse direction to lift the needle after thread trimming is provided.

(Caution) The needle bar is raised, by rotating the machine in the reverse direction, almost to the highest dead point. This may result in slip-off of the needle thread. It is therefore necessary to adjust the length of thread remaining after thread trimming properly.

⑲ **Needle bar home position retaining function (Function setting Nos. 58, 61 and 179)**

When the needle bar is in its specified position, it is retained at that position by applying a gentle brake.

Needle bar home position retaining function (Function setting No. 58)

- 5 8** **0** 0 : off Needle bar home position retaining is disabled
1 : on Needle bar home position retaining is enabled (holding force is weak.)
2 : on Needle bar home position retaining is enabled (holding force is medium.)
3 : on Needle bar home position retaining is enabled (holding force is strong.)

Needle bar home position retaining time (function setting No. 61)

This function automatically cancels the function No. 58 after the lapse of the set time when the latter is in the ON state.

This function should be used when you want to turn the sewing machine pulley after the completion of sewing.

- 6 1** **0** 0 : Function is disabled The needle bar home position retaining is enabled at all times.

100 - 3000 ms < 100 ms >

Time limit for needle bar home position retaining (Function setting No. 179)

The time limit for retention of the needle bar at its home position is set.

- 1 7 9** **0** 0 : The function is disabled (no limit)
1 to 10 min

⑳ **Change-over function of AUTO / Pedal for sewing speed of the reverse feed stitching at the start of sewing (Function setting No. 59)**

This function selects whether the reverse feed stitching at the start of sewing is performed without a break at the speed set by the function setting No. 8 or the stitching is performed at the speed by the pedal operation.

- 5 9** **1** 0 : Manual The speed is indicated by the pedal operation.
1 : Auto Automatic stitching at the specified speed

**(Caution) 1. The max. sewing speed of the reverse feed stitching at the start of sewing is limited to the speed set by the function setting No. 8 regardless of the pedal.
2. When "0" is selected, stitches of reverse feed stitching may not match those of normal feed stitching.**

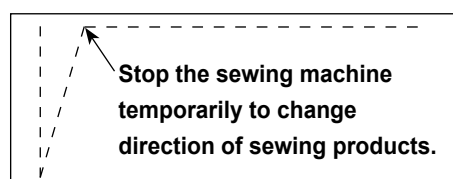
㉑ **Function of stop immediately after the reverse feed stitching at the start of sewing (Function setting No. 60)**

This function temporarily stops the sewing machine even when keeping depressing the front part of the pedal at the time of completion of process of reverse feed stitching at the start of sewing.

It is used when sewing a short length by reverse feed stitching at the start of sewing.

- 6 0** **0**

- 0 : Not provided with the function of temporary stop of the sewing machine immediately after the reverse feed stitching at the start of sewing
1 : Provided with the function of temporary stop of the sewing machine immediately after the reverse feed stitching at the start of sewing



②② **Function of soft-down of presser foot (with AK device only) (Function setting Nos. 70 and 49)**

This function can softly lower the presser foot.

This function can be used when it is necessary to decrease contact noise, cloth defect, or slippage of cloth at the time of lowering the presser foot.

(Caution) Change the time of function setting No. 49 together at the time of selecting the function of soft-down since the sufficient effect cannot be obtained unless the time of function setting No. 49 is set longer when lowering the presser foot by depressing the pedal.

0 to 500 ms < 10 ms >

0 : Function of soft-down of presser foot is not operative. (Presser foot is rapidly lowered.)

1 : Selection of function of soft-down of presser foot

②③ **Function of reducing speed of reverse feed stitching at the start of sewing (Function setting No. 92)**

Function to reduce speed at the time of completion of reverse feed stitching at the start of sewing : Normal use depending on the pedal condition (Speed is accelerated to the highest without a break.)

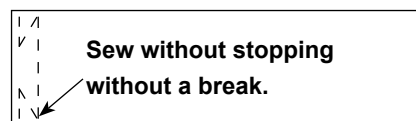
This function is used when temporary stop is used properly. (Cuff and cuff attaching)

0 : Speed is not reduced.

1 : Speed is reduced.



Temporary stop



②④ **Retry function (Function setting No. 73)**

When the retry function is used, if the sewing material is thick and not pierced with needle, this function makes the needle pierce in the material with ease.

0 : Retry function is not provided.

1 - 10 : Retry function is provided.

1 : Needle-bar returning force before operating the retry function: 1 (small) - 10 (large)

②⑤ **Presser foot lifting solenoid suction time setting (Function setting No. 84)**

Suction time of presser foot lifting solenoid can be changed. When heating is great, it is effective to lessen the value.

(Caution) When the value is excessively small, malfunction will be caused. So, be careful when changing the value.

Setting range : 50 to 500 ms < 10 ms >

②⑥ **Function of pedal curve selection (Function setting No. 87)**

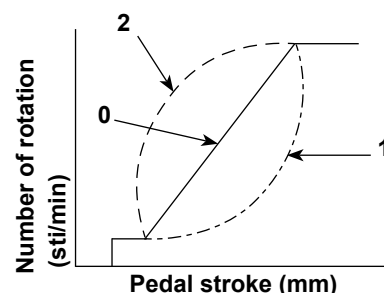
This function can perform the selection of the curve of number of rotation of the sewing machine against the depressing amount of the pedal.

Change to this function when you feel that inching operation is hard or that pedal response is slow.

0 : Number of rotation of the sewing machine in terms of the depressing amount of the pedal increases linearly.

1 : Reaction to intermediate speed in terms of the depressing amount of the pedal is delayed.

2 : Reaction to intermediate speed in terms of the depressing amount of the pedal is advanced.



②⑦ **Initial motion UP stop position move function (Function setting No. 90)**

Effective/ineffective of automatic return to UP stop position immediately after turning ON the power can be set.

0 : Ineffective

1 : Effective

②⑧ **Function added to the needle up / down compensating switch (Function setting No. 93)**

Operation of needle up/down compensating switch is changed after turning ON the power or thread trimming.

0 : Normal (needle up/down compensating stitching only)

1 : One stitch compensating stitching is performed only when aforementioned changeover is made. (Upper stop → upper stop)

2 : Needle-down function operates after thread trimming.

3 : Function of needle-down with operation of 2 plus presser lowering operation and needle-up with thread trimming operation is added.

②⑨ **Continuous stitching + one shot stitching nonstop function (Function setting No. 94)**

This function is used to proceed a step to the next one without stopping the sewing machine at the end of the step when performing sewing with the continuous sewing and one-shot sewing combined using the programming function of the operation panel IP.

9 4 0

0 : Normal (Stop when a step has completed.)

1 : The sewing machine proceeds to next step without stopping after a step has completed.

③⑩ **Setting of max. number of rotation of the sewing machine head (Function setting No. 96)**

This function can set the max. number of rotation of the sewing machine head you desire to use. Upper limit of the set value varies in accordance with the sewing machine head to be connected.

9 6 3 0 0 0

150 to Max sti/min < 50 sti/min >

③⑪ **Main shaft reference angle compensation (Function setting No. 120)**

Main shaft reference angle is compensated

1 2 0 0

Setting range : – 60 to 60° < 1° >

③⑫ **UP position starting angle compensation (Function setting No. 121)**

Angle to detect UP position starting is compensated.

1 2 1 0

Setting range : – 15 to 15° < 1° >

③⑬ **DOWN position starting angle compensation (Function setting No. 122)**

Angle to detect DOWN position starting is compensated.

1 2 2 0

Setting range : – 15 to 15° < 1° >

③⑭ **Setting of energy saving function during standby (Function setting No. 124)**

It is possible to reduce power consumption while the sewing machine is in standby state. It should be noted that the startup of the sewing machine may delay for a moment if this function is set.

1 2 4 0

0 : Energy-saving mode is ineffective.

1 : Energy-saving mode is effective.

③⑮ **Number of stitches setting for automatic cancellation of alternate up/down output (function setting No. 144)**

Alternate up/down output is cancelled when the set number of stitches has been sewn (0: Automatic cancellation is disabled). After the alternate up/down output is output by the set number of stitches, output is turned OFF. When "0" is set, this function does not work. (However, the number of stitches actually sewn may be larger than the set one according to the sewing speed.)

1 4 4 0

0 : Automatic cancellation is disabled

1 to 30 stitches

③⑯ **Selection of alternate up/down output after thread trimming (function setting No. 146)**

Alternate up/down output is forcibly turned ON or OFF after thread trimming.

When this function is set to disable, the alternate up/down output retains the state before thread trimming.

When the set value is "1," the alternate up/down output is brought into the OFF state. When the set value

is "2," the output is brought into the ON state.

1 4 6 0

0 : Disabled

1 : OFF

2 : ON

③⑰ **Selection of alternate up/down initial output (function setting No. 147)**

Alternate up/down output is forcibly turned ON or OFF when the power is turned ON.

When this function is set to disable, the alternate up/down output is restored to the state in which the function has been set before the last turn-OFF of the power.

When the set value is "1," the alternate up/down output is brought into the OFF state. When the set value

is "2," the output is brought into the ON state.

1 4 7 0

0 : Disabled

1 : OFF

2 : ON

③⑧ **2-pitch output during reverse feed stitching at the beginning/end of sewing (function setting No. 148)**

2-pitch output is set in the ON state during control of reverse feed stitching at the beginning/end of sewing.

1 4 8 **0** 0 : The function is in the OFF state
1 : The function is in the ON state

③⑨ **2-pitch output inversion during alternate up/down output (function setting No. 149)**

The 2-pitch output status is output with inverted in synchronism with the alternate up/down output.

2-pitch output is changed over to "OFF" if it is set in the ON state or to "ON" if it is set in the OFF state when changing over the alternate up/down output.

1 4 9 **0** 0 : The function is in the OFF state
1 : The function is in the ON state

④⑩ **2-pitch initial output selection (function setting No. 150)**

2-pitch output is forcibly turned ON or OFF when the power is turned ON.

When this function is set to disable, the 2-pitch output is restored to the state in which the function has been set before the last turn-OFF of the power.

When the set value is "1," the alternate up/down output is brought into the OFF state. When the set value is "2," the output is brought into the ON state.

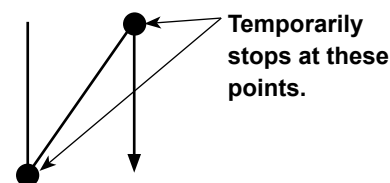
1 5 0 **0** 0 : Disabled
1 : OFF
2 : ON

④⑪ **Pause and stitch alignment function (function setting No. 151)**

When the reverse feed stitching/multi-layer stitching is specified, the sewing machine temporarily stops at every corner of the sewing pattern at the beginning and end of sewing and during overlapped stitching.

(Caution) When this function is brought into ON state, functions setting numbers 51 to 53 are disabled.

1 5 1 **0** 0 : The function is in the OFF state
1 : The function is in the ON state



④⑫ **Condensation stitching function for beginning/end of sewing (function setting No. 154)**

In the case of the sewing machine head provided with the condensation stitching function, the sewing machine performs condensation stitching instead of automatic reverse feed stitching.

This function should be used when you do not want to carry out reverse feed stitching but want to prevent thread from slipping off the material at the beginning and end of sewing.

1 5 4 **0** 0 : The function is in the OFF state
1 : The function is in the ON state

④⑬ **Needle thread grasping function (function setting No. 156)**

Selection between enable/disable of the needle thread grasping function

1 5 6 **0** 0 : Enable/disable is changed over with the operation enabling switch
1 : The function is disabled
2 : The function is enabled.

④⑭ **Bobbin thread remaining amount detecting function (function setting Nos. 167 and 168)**

Enable/disable of the bobbin thread remaining amount detecting function (function setting No. 167)

Enable/disable of the bobbin thread remaining amount detecting function is set in the case the bobbin thread remaining amount detecting device is used.

1 6 7 **1** 0 : Disabled
1 : Enabled

Bobbin thread remaining amount detecting function (function setting No. 168)

Refer to the Instruction Manual for the device for details about the setting.

1 6 8 **0**

④ Condensation stitching function at the beginning of sewing (function setting No. 196, 197)

Conditions under which the condensation stitching function for the beginning of sewing is enabled/disabled are specified. Unraveling and skipping of stitches can be prevented by carrying out condensation stitching at the beginning of sewing.

Function setting No. 196

Condensation stitching function at the beginning of sewing

0: The function is disabled

1: The function is enabled

2: The function is enabled when the reverse feed stitching at the beginning of sewing is disabled. The function is disabled when the reverse feed stitching at the beginning of sewing is enabled.

Function setting No. 197

The number of condensation stitches at the beginning of sewing

Setting range: 0 to 19 stitches (Initial value: 2 stitches)

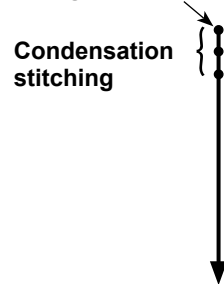
| | |
|---|---|
| In the case the reverse feed stitching for the beginning of sewing is not carried out (Example 1) | When the number of reverse feed stitches is set at 0 (zero), the condensation stitching function for the beginning of sewing does not work at the beginning of sewing. When it is set at 1 or 2, the condensation stitching function for the beginning of sewing works. |
| In the case the reverse feed stitching for the beginning of sewing is carried out (Example 2) | When the number of reverse feed stitches is set at 0 (zero) or 2, the condensation stitching function does not work at the beginning of sewing. When it is set at 1, the condensation stitching function for the beginning of sewing works. |

(Example 1) In the case the reverse feed stitching function for the beginning of sewing is disabled:

(Set value: 0)
Sewing start position



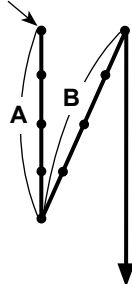
(Set value: 1 or 2)
Sewing start position



(Example 2) In the case the reverse feed stitching function for the beginning of sewing is enabled:

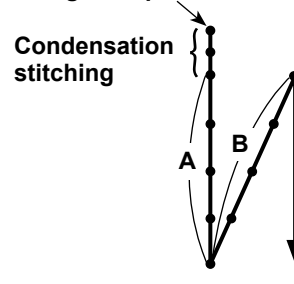
(Set value: 0 or 2)

Sewing start position



(Set value: 1)

Sewing start position



In the case the reverse feed stitching function for the beginning of sewing is enabled, the sewing start and end positions are not aligned if the set value is 1 (Set value: 1).

In order to align them, change the setting as described below:

- Set the condensation stitching function for the beginning of sewing at 0 (zero) (Set value: 0).
- Taking the number of stitches set by the function setting No. 197 into account, reduce the number of reverse feed stitches at the beginning of sewing in the zone A or increase it in the zone B.

④⑥ **Optical sensor function (Function setting Nos. 235, 236, 237, 238, 239, 242, 247 and 251)**

Optical sensor function (Function setting No. 235)

Enable this function if it is to be used.

Before enabling this function, assign the optical sensor input with No. 12.

(Caution) This function is enabled only for the CP-18. For the other operation panels, set the optical sensor with the switches on the panel.

2 3 5 **0** 0 : Optical sensor function is disabled
 1 : Optical sensor function is enabled

Optical sensor filter function (Function setting No. 236)

This function filters the optical sensor input.

Use this function in combination with Function No. 237: Number of stitches for optical sensor filter.

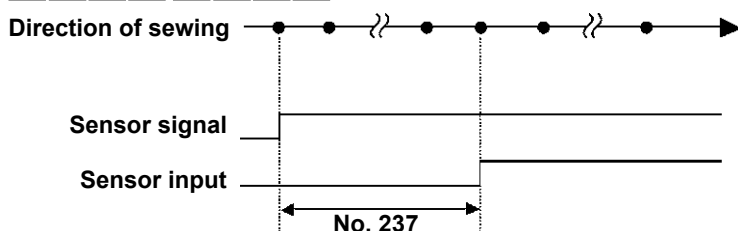
2 3 6 **0** 0 : Optical sensor filter function is disabled
 1 : Optical sensor filter function is enabled

Numbers of stitches for optical sensor filter (Function setting No. 237)

The number of stitches for which the optical sensor input is filtered is set.

It is used when Function No. 236: Number of stitches for optical sensor filter is enabled.

2 3 7 **0** 0 to 99 stitches



Number of stitches for stopping the sewing machine after optical sensor input (Function setting No. 238)

The number of stitches to be sewn from the optical sensor input to the stop of the sewing machine is set.

(Caution) This function is enabled only for the CP-18. For the other operation panels, set the number of stitches for stopping the sewing machine after optical sensor input with the switches on the panel.

2 3 8 **7** 0 to 99 stitches

Number of times of optical sensor detection (Function setting No. 239)

The sewing machine carries out automatic thread trimming when the set number of times the optical sensor input is turned ON is reached.

2 3 9 **1** 1 to 15 times

Pedal depressing speed limiting function (Function setting No. 242)

The function limits the sewing speed upon the optical sensor input.

(Caution) This function can be set to "3" only for the CP-18. For the other operation panels, set this function with the switches on the panel.

2 4 2 **0** 0 : The function is disabled.
 1 : Fixed at the one-shot speed
 2 : Limited to the one-shot speed
 3 : When the optical sensor is enabled, the sewing machine runs under the automatic mode upon depress on the pedal.

Optical sensor thread-trimming prohibiting function (Function setting No. 247)

Thread trimming activated by the optical sensor input is prohibited.

(Caution) This function can be set only for the CP-18. For the other operation panels, set this function with the switches on the panel.

2 4 7 **0** 0 : Thread trimming is enabled
 1 : Thread trimming is disabled (solenoid output is prohibited)

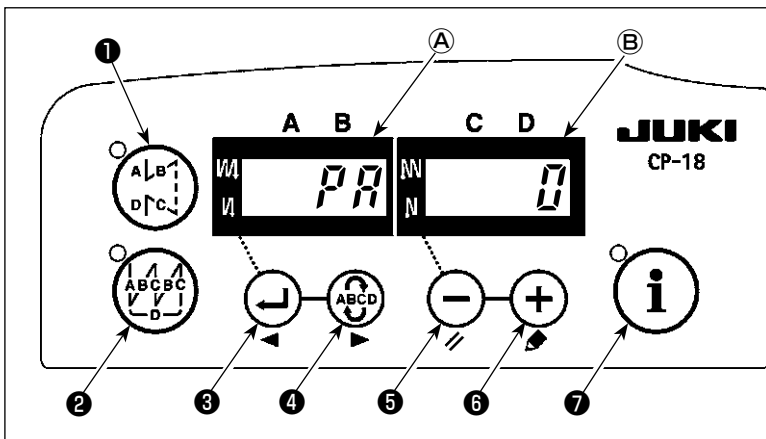
Optical sensor input logic changeover (Function setting No. 251)


In the case two or more optical sensors are used, the input retrieving method is selected.

2 5 1 **0** 0 : OR input
 1 : AND input

9. Automatic compensation of neutral point of the pedal sensor

Whenever the pedal sensor, spring, etc. are replaced, be sure to perform following operation :



- 1) Pressing  switch ④ , turn ON the power switch.
- 2) Compensated value is displayed on indicator ② .

(Caution) 1. At this time, the pedal sensor does not work properly if the pedal is depressed. Warning sound "blips" and the correct compensation value is not displayed.

2. If any display ("-0-" or "-8-") other than a numeric value appears on indicator ②, refer to the Engineer's Manual.

- 3) Turn OFF the power switch, and turn ON the power switch again to return to the normal mode.

(Caution) Be sure to re-turn ON the power switch when one or more seconds have passed after turning it OFF.

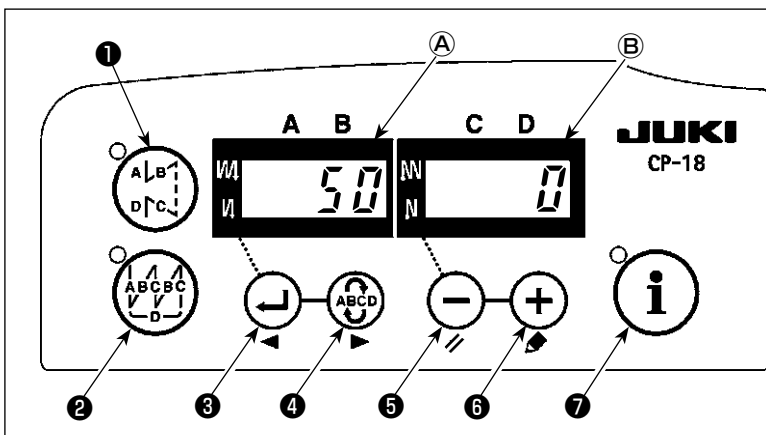
(If the ON-OFF operation is carried out faster than the above, the setting may not change normally.)

10. Selection of the pedal specifications

When the pedal sensor has been replaced, change the set value of function setting No. 50 according to the newly connected pedal specifications.

0 : KFL

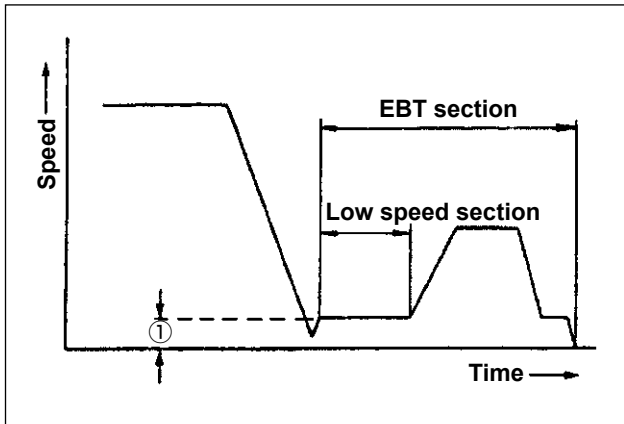
1 : PFL



(Caution) Pedal sensor with two springs located at the back part of the pedal type is PFL, and that with one spring type is KFL. Set the pedal sensor to PFL when lifting the presser foot by depressing the back part of the pedal.

11. Stitch alignment for the reverse stitching at the end of sewing (for heavy-weight materials)

Particularly in the case of the machine head for heavy-weight materials, stitches are not always aligned in the section shown in the figure below even if the timing of the reverse feed stitching at the end of sewing is corrected. In this case, set the following function to align the stitches.

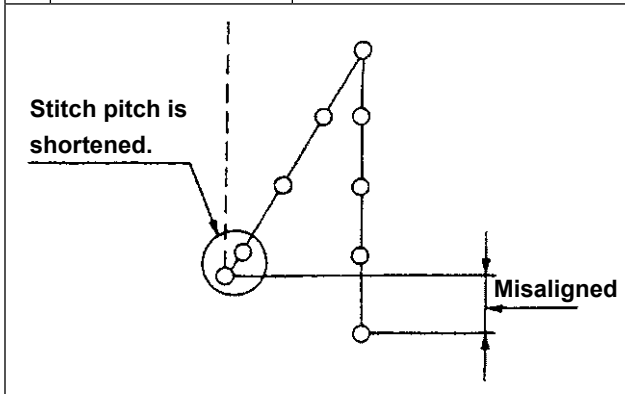


- ① At the timing when the sewing machine starts reverse stitching, the rotating speed of the sewing machine in the section where the sewing machine is rotated at a low speed can now be changed.

Function setting No. 64

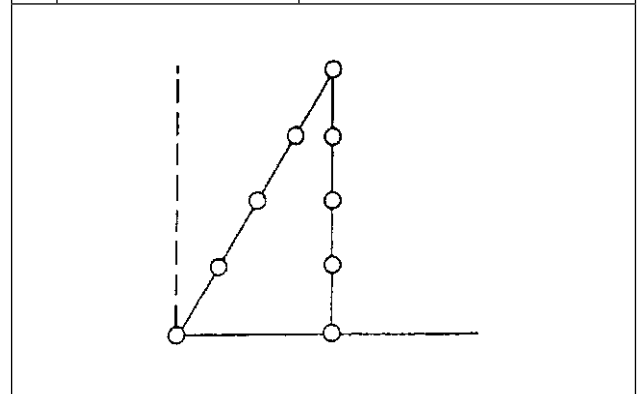
Standard

| | | |
|-----------|--------------------|-------------------------------------|
| Condition | Machine head | LU-1510N-7 (Heavy-weight materials) |
| | Pitch | 6 mm |
| | Number of stitches | 4 stitches |
| | ITEM No. 64 | 180 sti/min |

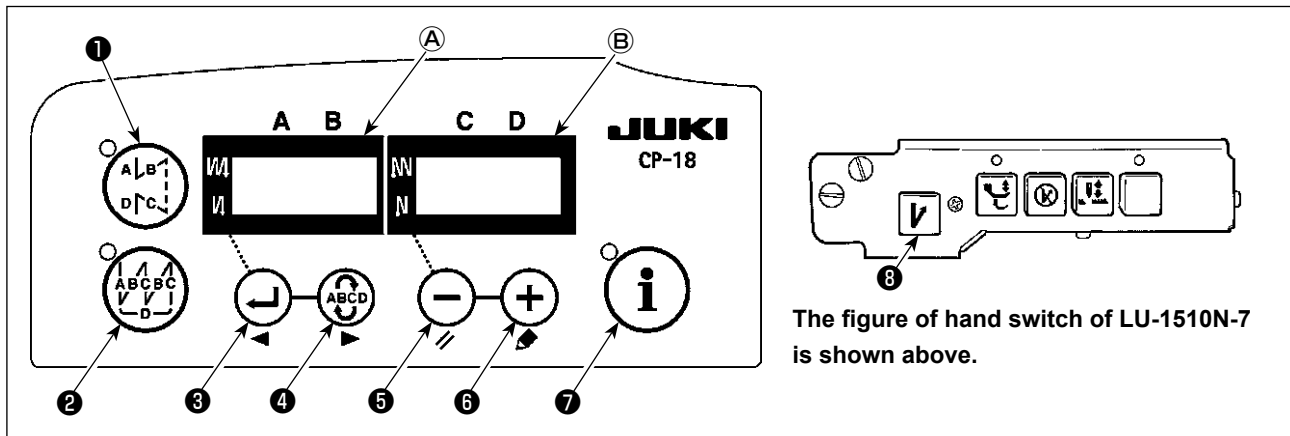


Example of setting of function No. 64

| | | |
|-----------|--------------------|-------------------------------------|
| Condition | Machine head | LU-1510N-7 (Heavy-weight materials) |
| | Pitch | 6 mm |
| | Number of stitches | 4 stitches |
| | ITEM No. 64 | 0 sti/min |



12. Input/output function of the hand switch and knee switch



For the sewing machine head which is provided with the hand switch or the knee switch, the input/output function of the switch can be set by pressing the switch during function setting operation.




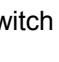



At this time, the input/output function of the hand switch and the input function of the knee switch can be changed.

Refer to "III-8. ⑧ Input function list" p.37 and "III-8. ⑧ Output function list" p.39 for the selectable functions.

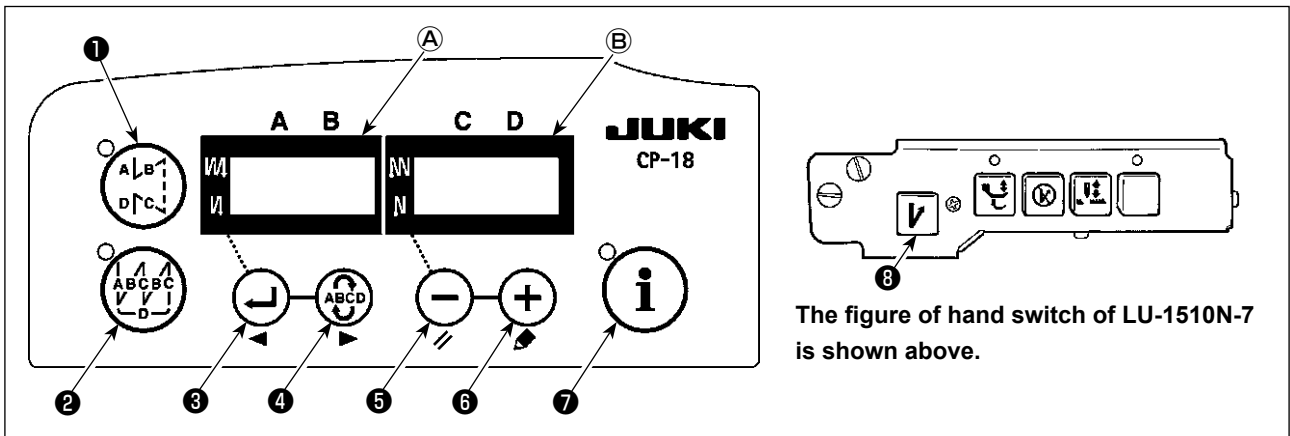
A press on the switch enables the input function setting. One more press on the switch enables the output function setting.

It must be remembered, however, that output function of the switch which is not provided with the output LED cannot be set.

* Example) To assign the thread trimming function to the BT switch

1. Turn ON the power switch with  switch **7** held pressed.
 2. Press  BT switch **8**.
 3. Press  switch **5** and  switch **6** to display "TSW" thread trimming function.
 4. Press  switch **3** and  switch **4** to confirm "TSW" thread trimming function.
- Lighting alternately 

13. Use of the hand switch and the knee switch



For the sewing machine head which is provided with the hand switch or the knee switch, enable/disable of the switch can be selected by pressing the switch during one-touch setting.

* Example) Disabling the BT switch

W **i** **P** **o** **n**

1. Bring the SC-922 into the setting mode referring to “III-4. One-touch setting” p.22.

b **T** **o** **F** **F**

2. Press  BT switch ⑧ to display "bT oFF".

W **i** **P** **o** **n**

3. Automatically a second later or a press on one of switches ① to ⑦, the display returns to the previous state.

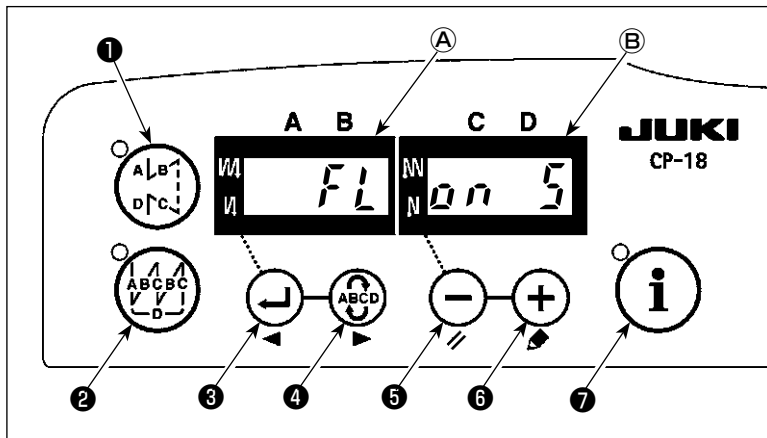
14. Setting of the auto lifter function







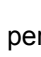

WARNING :

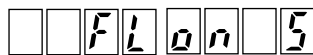
When the solenoid is used with the air drive setting, the solenoid may be burned out. So, do not mistake the setting.

When the auto-lifter device (AK) is attached, this function makes the function of auto-lifter work.



- 1) Turn ON the power switch with  switch  held pressed.
- 2) "FL ON" is displayed on indicators  and  with a blip to make the auto lifter function effective.
- 3) Turn OFF the power switch, and turn ON the power switch again to return to the normal mode.
- 4) Repeat the operation 1) to 3), and LED display is turned to "FL OFF". Then, the function of auto-lifter does not work.

FL ON : Auto-lifter device becomes effective. Selection of the auto-lifter device of solenoid drive (+33V) or of air drive (+24V) can be performed with  switch  . (Changeover is performed to drive power +33V or +24V of CN37.)



Solenoid drive display (+33V)



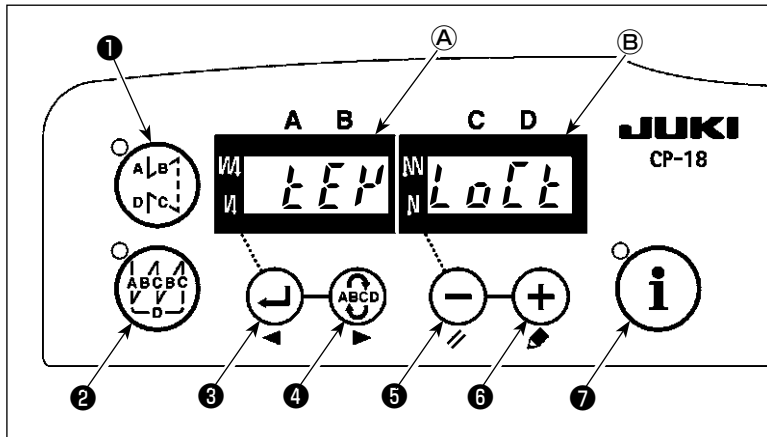
Air drive display (+24V)

FL OFF : Auto-lifter function does not work. (Similarly, the presser foot is not automatically lifted when programmed stitching is completed.)

- (Caution)**
1. To perform re-turning ON of the power, be sure to perform after the time of one second or more has passed. (If ON / OFF operation of the power is performed quickly, setting may be not changed over well.)
 2. Auto-lifter is not actuated unless this function is properly selected.
 3. When "FL ON" is selected without installing the auto-lifter device, starting is momentarily delayed at the start of sewing. In addition, be sure to select "FL OFF" when the auto-lifter is not installed since the touch-back switch may not work.

15. Selecting procedure of the key-lock function

Setting of the number of stitches for a pattern can be prohibited by enabling the key lock function.



- 1) Turn ON the power switch with switch 5 and switch 6 held pressed.
- 2) "KEY LOCK" is displayed on indicators A and B with a blip to make the key-lock function effective.
- 3) The panel returns to the normal operation after displaying "KEY LOCK" on the indicators.

- 4) While the key lock function is effective, "KEY LOCK" is displayed on the indicators when turning the power ON.
- 5) When you carry out steps 1) to 3) in repetition, "KEY LOCK" is not displayed when turning the power ON and the key lock function is rendered ineffective.

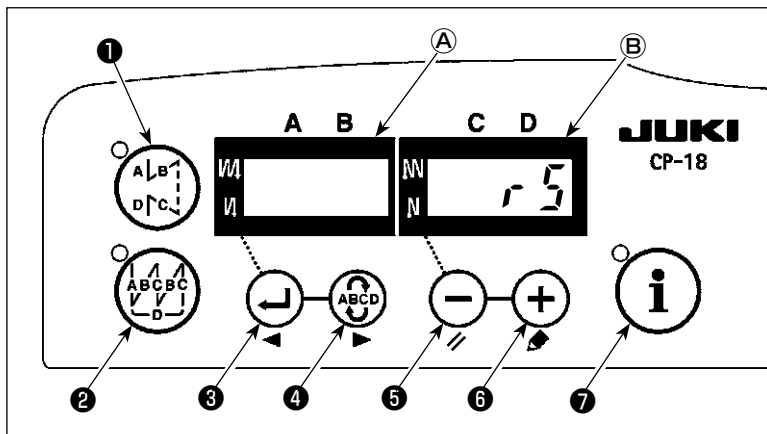
• KEY LOCK display when turning the power ON

Display appears: The key lock function is effective.

Display does not appear: The key lock function is ineffective.

16. Initialization of the setting data

All contents of function setting of SC-922 can be returned to the standard set values.



- 1) Turn ON the POWER switch with all of switch 4, switch 5 and switch 6 held pressed.
- 2) "rS" is displayed on indicator B with a blip to start initialization.
- 3) The buzzer sounds after approximately one second (single sound three times, "peep", "peep", and "peep"), and the setting data returns to the standard setting value.

(Caution) Do not turn OFF the power on the way of initializing operation. Program of the main unit may be broken.

- 4) Turn OFF the power switch and turn ON the power switch after closing the front cover. The machine returns to the normal motion.

- (Caution)**
1. When you carry out the aforementioned operation, the neutral position correction value for the pedal sensor is also initialized. It is therefore necessary to carry out automatic correction of the pedal sensor neutral position before using the sewing machine. (Refer "[III-9. Automatic compensation of neutral point of the pedal sensor](#)" p.50.)
 2. When you carry out the aforementioned operation, the machine-head adjustment values are also initialized. It is therefore necessary to carry out adjustment of the machine head before using the sewing machine. (Refer "[II-10. Adjusting the machine head \(direct-drive motor type sewing machine only\)](#)" p.17.)
 3. Even when this operation is performed, the sewing data set by the operation panel cannot be initialized.

17. External input / output connector

A switchable general-purpose input/output is provided at function setting No. 12 for an external output connector ❶ (CN51).

(Caution) When using the connector, note that the engineer who has the electrical knowledge has to work.

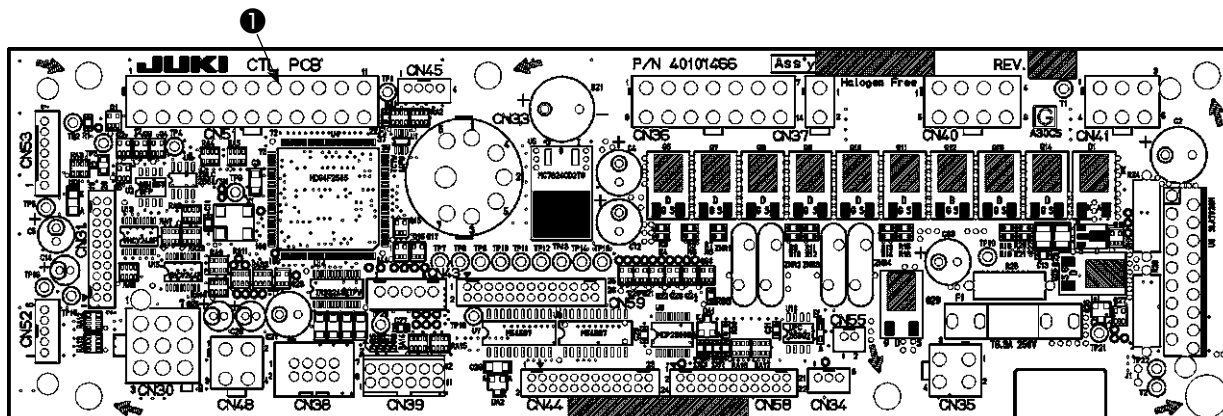


Table of assignment of connector and signal

| CN51 | Signal name | No. 12 display No. | Input/output | Description | Electric spec. |
|------|-------------|--------------------|--------------|-------------------------------------|--------------------|
| 1 | GND | | | GND | |
| 2 | GND | | | GND | |
| 3 | MA | | Output | Rotation signal 360 pulses/rotation | DC5V |
| 4 | OPI9 | i17 | Input | Option 9 input | DC5V, -5mA |
| 5 | OPI10 | i18 | Input | Option 10 input | DC5V, -5mA |
| 6 | OPI11 | i19 | Input | Option 11 input | DC5V, -5mA |
| 7 | OPI12 | i20 | Input | Option 12 input | DC5V, -5mA |
| 8 | OPI13 | i21 | Input | Option 13 input | DC5V, -5mA |
| 9 | OPI14 | i22 | Input | Option 14 input | DC5V, -5mA |
| 10 | OPI15 | i23 | Input | Option 15 input | DC5V, -5mA |
| 11 | OPI16 | i24 | Input | Option 16 input | DC5V, -5mA |
| 12 | +24V | | | Power source | |
| 13 | +24V | | | Power source | |
| 14 | +5V | | | Power source | |
| 15 | OPO17 | o25 | Output | Option 17 output | NPN open collector |
| 16 | OPO18 | o26 | Output | Option 18 output | NPN open collector |
| 17 | OPO19 | o27 | Output | Option 19 output | NPN open collector |
| 18 | OPO20 | o28 | Output | Option 20 output | NPN open collector |
| 19 | OPO21 | o29 | Output | Option 21 output | NPN open collector |
| 20 | OPO22 | o30 | Output | Option 22 output | NPN open collector |
| 21 | OPO23 | o31 | Output | Option 23 output | NPN open collector |
| 22 | OPO24 | o32 | Output | Option 24 output | NPN open collector |

JUKI genuine part No.

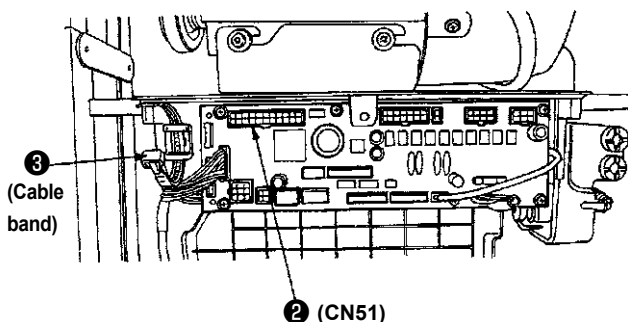
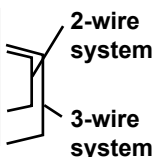
Connector : Part No. HK034610220

Pin contact : Part No. HK03464000A

18. How to connect the material edge sensor

For SC-922, a commercially available photoelectric sensor can be connected and used as a material end sensor. A connection example is shown below.

| Pin No. | Signal | Remarks |
|---------|--------|--------------|
| 2 | GND | 0V |
| 11 | OPI16 | Sensor input |
| 13 | +24V | Power source |



- 1) Connect the material end sensor to the connector ❶ (Molex, 22P).
For 2-wire system, connect 0 V and the sensor input to pin 2 and pin 11, respectively.
For 3-wire system, connect 0 V, the sensor input, and 24 V to pin 2, pin 11, and pin 13, respectively.
- 2) Insert the connector ❶ that was connected in the step 1 into the connector ❷ (CN51, 22P) of SC-922.
- 3) Pass these cables through the cable clamp and fasten them with the cord of the material end sensor with the cable band ❸ mounted on the side face of the box.
- 4) Connect CN51-11 (display No. i24) to the material edge sensor input referring to “III-8. ❸ Selection of the optional input/output function (Function setting No. 12)” p.36.

- (Caution)
1. Be sure to turn off the power before connection.
 2. Use a 24 V-ready material end sensor.
 3. Refer to “III-4. One-touch setting” p.22 for how to use the material edge sensor.

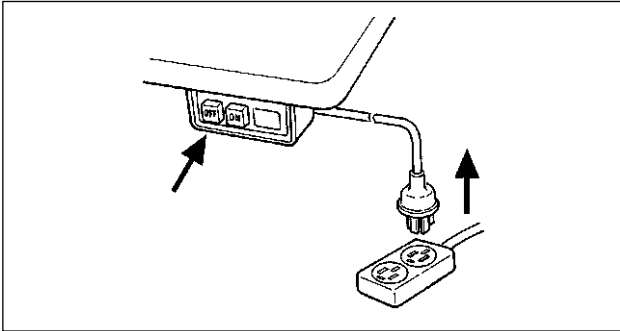
IV. MAINTENANCE

1. Removing the rear cover

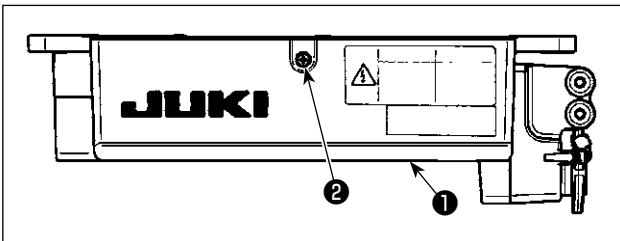


WARNING :

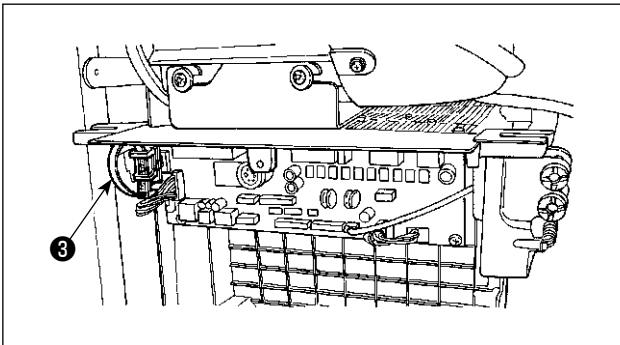
To prevent personal injuries caused by electric shock hazards or abrupt start of the sewing machine, remove the cover after turning OFF the power switch and a lapse of 5 minutes or more. To prevent personal injuries, when a fuse has blown out, be sure to replace it with a new one with the same capacity after turning OFF the power switch and removing the cause of the blown-out of the fuse.



- 1) Press the OFF button of the power switch to turn OFF the power after confirming that the sewing machine has stopped.
- 2) Draw out the power cord coming from the power plug socket after confirming that the power switch is turned OFF. Perform the work of step 3) after confirming that the power has been cut and it has passed for 5 minutes or more.



- 3) Loosen setscrew ② in cover ① . Open cover ① .

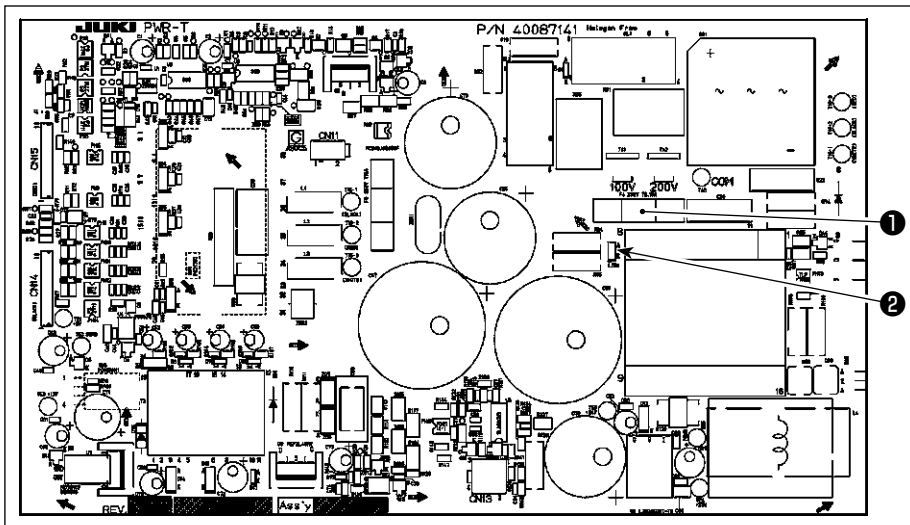


- 4) To close cover ① , re-tighten setscrew ② while paying attention to the orientation of cable clip band ③ mounted on the side face of the box.

2. Replacing the fuse

(1) PWR PCB

(Caution) The illustration below shows the PWR-T PCB. The type of PCB differs by destination.



- 1) Remove all the cables which are connected to the control box.
- 2) Remove the connecting rod.
- 3) Remove the control box from the table stand.
- 4) Holding the glass section of fuse ❶, remove the fuse.

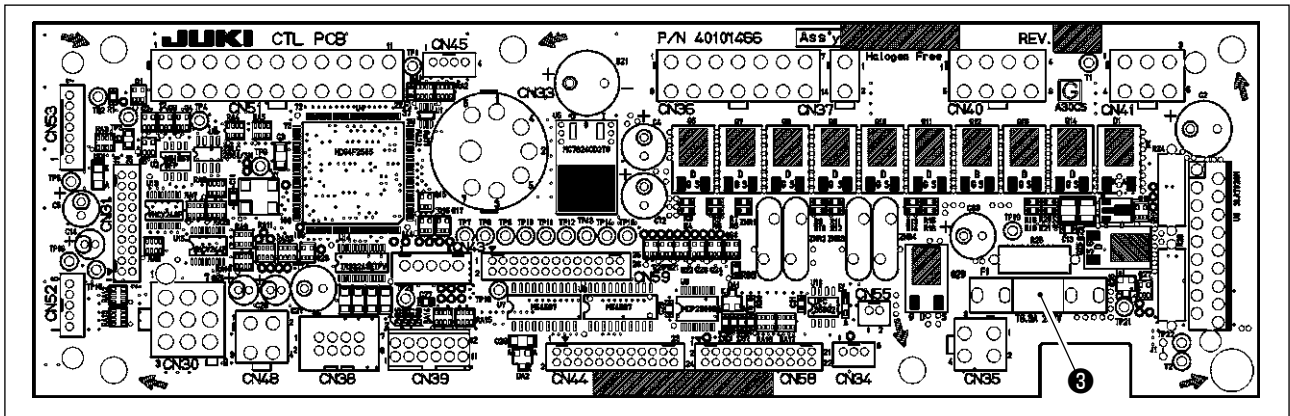
(Caution) There is a risk of electrical shock when removing the fuse. Be sure to remove the fuse after LED ❷ has totally gone out.

- 5) Be sure to use a fuse with the designated capacity.

❶ : 3.15 A/250 V Time-lag fuse (Power circuit protective fuse)

Part number: KF000000080

- 6) Install the control box on the table stand. (Refer to "II. SET-UP" p.1.)
- 7) Connect all the cables to the control box. (Refer to "II-7. Connecting the cords" p.7.)
- 8) Fit the connecting rod back in place. (Refer to "II-8. Attaching the connecting rod" p.15.)



(2) CTL PCB

- 1) Open the cover of the control box.
- 2) Pick up the glass section of fuse ❸ mounted on the CTL PCB with fingers to remove it.

(Caution) In order to protect against the possibility of electric shock, it is necessary to remove the fuse after LED ❷ of the PWR PCB has totally gone off.

- 3) Be sure to use a fuse with the designated capacity.

❸ : 6.3 A/250 V Time-lag fuse (Solenoid power circuit protection fuse)

Part number: KF000000030

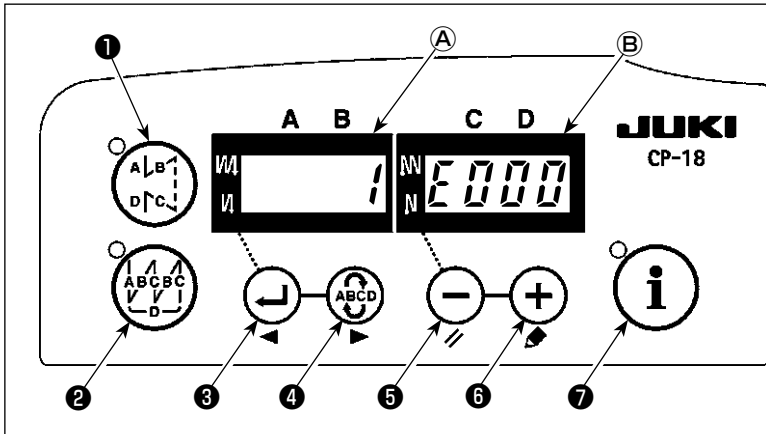
- 4) Close the cover of the control box.

3. Error codes




In case of the following, check again before you judge the case as trouble.



| Phenomenon | Cause | Corrective measure |
|--|---|--|
| When tilting the sewing machine, the buzzer beeps and the sewing machine cannot be operated. Solenoids for thread trimming | When tilting the sewing machine without turning OFF the power switch, Action given on the left side is taken for safety sake. | Tilt the sewing machine after turning OFF the power. |
| Solenoids for thread trimming, reverse feed, wiper, etc. fail to work. Hand lamp does not light up. | When the fuse for solenoid power protection has blown out | Check the fuse for solenoid power protection. |
| Even when depressing the pedal immediately after turning ON the power, the sewing machine does not run. When depressing the pedal after depressing the back part of pedal once, the sewing machine runs. | Neutral position of the pedal has varied. (Neutral position may be shifted when changing spring pressure of the pedal or the like.) | Execute the automatic neutral correction function of the pedal sensor. |
| The sewing machine does not stop even when the pedal is returned to its neutral position. | | |
| Stop position of the sewing machine varies (irregular). | When tightening the screw in the handwheel is forgotten at the time of adjustment of needle stop position. | Securely tighten the screw in the handwheel. |
| Presser foot does not go up even when auto-lifter device is attached. | Auto-lifter function is OFF. | Select "FL ON" by auto-lifter function selection. |
| | Pedal system is set to KFL system. | Change the jumper to PFL setting to lift the presser foot by depressing the back part of the pedal. |
| | Cord of auto-lifter device is not connected to connector (CN37). | Connect the cord properly. |
| Touch-back switch fails to work. | Presser foot is going up by auto-lifter device. | Operate the switch after the presser foot lowered. |
| | Auto-lifter device is not attached. However, auto-lifter function is ON. | Select "FL OFF" when auto-lifter device is not attached. |
| UP position move fails to work when all lamps on the panel light up. | The mode is in the function setting mode. The switch on the CTL p.c.b. is pressed by the bound cords and the aforementioned mode resulted. | Remove the under cover. Bundle the cables by routing them according to the normal routing method as described in the Instruction Manual. |
| Sewing machine fails to run. | Motor output cord (4P) is disconnected. | Connect the cord properly. |
| | Connector (CN30) of motor signal cord is disconnected. | Connect the cord properly. |

In addition, there are the following error codes in this device. These error codes interlock (or limit function) and inform the problem so that the problem is not enlarged when any problem is discovered. When you request our service, please confirm the error codes.



[Checking procedure of the error code]

- 1) Turn ON the power switch with  switch **③** held pressed.
 - 2) The latest error number is displayed on indicator **ⓑ** with a blip.
 - 3) Contents of previous errors can be checked by pressing  switch **③** or  switch **④**.
- (When the confirmation of the contents of previous error advanced to the last, the warning sound peeps in single tone two times.)

(Caution) When  switch **③** is pressed, the previous error code of the currently displayed one is displayed. When  switch **④** is pressed, the next error code of the currently displayed one is displayed.

Error code list

| No. | Description of error detected | Cause of occurrence expected | Items to be checked |
|---------|---|--|--|
| - | Media cover open | • Cover of the slot of media is open. | • Close the cover. |
| E000 | Execution of data initialization (This is not the error.) | • When the machine head is changed. • When the initialization operation is executed | |
| E003 | Disconnection of synchronizer connector | • When position detection signal is not input from the sewing machine head synchronizer. | • Check the synchronizer connector (CN33) for loose connection and disconnection. |
| E004 | Synchronizer lower position sensor failure | • When the synchronizer has broken. | • Check whether the synchronizer cord has broken since the cord is caught in the machine head. |
| E005 | Synchronizer upper position sensor failure | • Belt is loose. • Machine head is not proper. • Motor pulley is not proper. | • Check the belt tension. • Check the setting of the machine head. • Check the setting of the motor pulley. |
| E007 | Overload of motor | • When the machine head is locked. • When sewing extra-heavy material beyond the guarantee of the machine head. • When the motor does not run. • Motor or driver is broken. | • Check whether the thread has been entangled in the motor pulley. • Check the motor output connector (4P) for loose connection and disconnection. • Check whether there is any holdup when turning the motor by hand. |
| E008 | Undefined machine head is selected | • The machine head that does not support the SC-922 is selected. | • Check the machine head selection using function setting No. 95. • Check the Revision of the PWR PCB. If it is Rev. 01, replace the PWR PCB with the one revision of which is Rev. 02 or later. |
| E011(*) | Media is not inserted. | • Media is not inserted. | • Turn the power OFF and check the media. |
| E012(*) | Read error | • Data of media cannot be read. | • Turn the power OFF and check the media. |
| E013(*) | Write error | • Data of media cannot be written. | • Turn the power OFF and check the media. |
| E014(*) | Write protect | • Media is in the state of writing prohibition. | • Turn the power OFF and check the media. |
| E015(*) | Format error | • Formatting cannot be performed. | • Turn the power OFF and check the media. |
| E016(*) | External media capacity over | • Capacity of media is short. | • Turn the power OFF and check the media. |
| E019(*) | File size over | • File is too large. | • Turn the power OFF and check the media. |
| E032(*) | File interchangeability error | • There is no interchangeability of file. | • Turn the power OFF and check the media. |
| E041(*) | Sewing recorder error | • This error number is displayed in the event of a sewing recorder data fault. | • Check whether the data has any fault. |

* The error number attached with an asterisk (*) is displayed only in the case a fault occurs when the IT panel is connected to the sewing machine.

| No. | Description of error detected | Cause of occurrence expected | Items to be checked |
|---------|---|---|--|
| E044(*) | Date and time error | <ul style="list-style-type: none"> This error number is displayed in the event of operation/data fault concerning date or time of day. | <ul style="list-style-type: none"> Check whether the data has any fault. |
| E053(*) | Notification of production support function initialization (This is not an error) | <ul style="list-style-type: none"> This error number is displayed after the execution of initialization of the production support function or upgrading of the program. | <ul style="list-style-type: none"> Check whether the data has any fault. |
| E055(*) | Production management error | <ul style="list-style-type: none"> This error number is displayed in the event of production management work management data fault. | <ul style="list-style-type: none"> Check whether the data has any fault. |
| E056(*) | Work management error | <ul style="list-style-type: none"> This error number is displayed in the event of data fault. | <ul style="list-style-type: none"> Check whether the data has any fault. |
| E057(*) | Pitch time monitor error | <ul style="list-style-type: none"> This error number is displayed in the event of pitch time monitor data fault. | <ul style="list-style-type: none"> Check whether the data has any fault. |
| E065(*) | Network transmission failed | <ul style="list-style-type: none"> This message is displayed in the case data cannot be sent to the personal computer by way of the network. | <ul style="list-style-type: none"> Check whether the network has any fault. |
| E067(*) | ID reading failed | <ul style="list-style-type: none"> This message is displayed in the case data in the ID file is broken. | <ul style="list-style-type: none"> Check whether the data has any fault. |
| E070 | Slip of belt | <ul style="list-style-type: none"> When the machine head is locked. Belt is loose. | <ul style="list-style-type: none"> Check whether there is any holdup when turning the motor by hand. Check the belt tension. |
| E071 | Disconnection of motor output connector | <ul style="list-style-type: none"> Disconnection of motor connector | <ul style="list-style-type: none"> Check the motor output connector for loose connection and disconnection. |
| E072 | Overload of motor at the time of thread trimming motion | <ul style="list-style-type: none"> Same as E007 | <ul style="list-style-type: none"> Same as E007 |
| E204(*) | USB insertion | <ul style="list-style-type: none"> This message is displayed in the case the sewing machine is activated with the USB thumb drive inserted. | <ul style="list-style-type: none"> Remove the USB thumb drive. |
| E205(*) | Warning of ISS buffer remaining amount | <ul style="list-style-type: none"> This message is displayed in the case the buffer storage for storing the ISS data is almost full. If the sewing machine is continuously used with the buffer storage full, the stored pieces of data will be erased from the earliest one. | <ul style="list-style-type: none"> Output the data. |
| E220 | Grease-up warning | <ul style="list-style-type: none"> When the predetermined number of stitches has been reached. | <ul style="list-style-type: none"> Replenish the specified places with grease and reset. (For the details, refer to the data of the machine head.) |
| E221 | Grease-up error | <ul style="list-style-type: none"> When the predetermined number of stitches has been reached and the sewing is not possible. | <ul style="list-style-type: none"> Replenish the specified places with grease and reset. (For the details, refer to the data of the machine head.) |
| E302 | Fall detection switch failure (When the safety switch works) (Thread trimming knife sensor) | <ul style="list-style-type: none"> When fall detection switch is input in the state that the power is turned ON. Machine-head tilt detector's connector has come off. Thread trimming knife position is not correct. | <ul style="list-style-type: none"> Check whether the machine head is tilted without turning OFF the power switch (sewing machine operation is prohibited for safety sake). Check whether the fall detection switch cord is caught in the sewing machine or the like. Check whether the fall detection switch lever is caught in something. Check whether the contact of the tilt detection switch lever with the machine table is inadequate. (The table has a dent or the mounting location of the bed strut is too far) Check the machine-head tilt detector's connector (CN48) for looseness and slip-off. Positioning of the thread trimming sensor Set the function setting No. 74 to 0 (zero) when the thread trimmer is not installed on the sewing machine. |
| E303 | Semicircular plate sensor error | <ul style="list-style-type: none"> Semicircular plate sensor signal cannot be detected. | <ul style="list-style-type: none"> Check whether the machine head corresponds with the machine type setting. Check whether the motor encoder connector is disconnected. |

* The error number attached with an asterisk (*) is displayed only in the case a fault occurs when the IT panel is connected to the sewing machine.

| No. | Description of error detected | Cause of occurrence expected | Items to be checked |
|---------|--|--|---|
| E499 | Simplified program data fault | <ul style="list-style-type: none"> Command parameter data is out of specified range. | <ul style="list-style-type: none"> Re-enter the relevant simplified program. Set the simplified program in disable. |
| E703(*) | Operation panel is connected to the unexpected sewing machine. (Error of sewing machine model) | <ul style="list-style-type: none"> The operation panel and the sewing machine model do not match in the initial communication. | <ul style="list-style-type: none"> Connect the operation panel to the correct model of the sewing machine. |
| E704(*) | System version mismatch | <ul style="list-style-type: none"> The system version is different from the correct one in the initial communication. | <ul style="list-style-type: none"> Re-write the system version to the one that can be used with the operation panel. |
| E730 | Encoder failure | <ul style="list-style-type: none"> When the motor signal is not properly inputted. | <ul style="list-style-type: none"> Check the motor signal connector (CN30) for loose connection and disconnection. Check whether the motor signal cord has broken since the cord is caught in the machine head. Check whether the inserting direction of the motor encoder connector is wrong. |
| E731 | Motor hole sensor failure | | |
| E733 | Inverse rotation of motor | <ul style="list-style-type: none"> This error occurs when the motor is running at 500 sti/min or more in the opposite direction of that of rotation indication during motor is running. | <ul style="list-style-type: none"> Check whether the machine head corresponds with the machine type setting. Check whether the main-shaft motor encoder wire is connected incorrectly. Check whether the main-shaft motor wire for power supply is connected incorrectly. |
| E799 | Thread trimming operation time-ou | <ul style="list-style-type: none"> The thread trimming control operation is not completed within the predetermined time (within three seconds). | <ul style="list-style-type: none"> Check whether the machine head actually installed is different from the machine head selection. Check whether the motor-pulley diameter does not match its setting (effective diameter). Check whether the belt has slackened. |
| E808 | Solenoid short circuit | <ul style="list-style-type: none"> Solenoid power does not become normal voltage. | <ul style="list-style-type: none"> Check whether the machine head cord is caught in the pulley cover or the like. |
| E809 | Holding motion failure | <ul style="list-style-type: none"> Solenoid is not changed over to holding motion. | <ul style="list-style-type: none"> Check whether the solenoid is abnormally heated. (CTL circuit board asm. Circuit is broken. |
| E810 | Solenoid current abnormality | <ul style="list-style-type: none"> Solenoid rare short-circuit. | <ul style="list-style-type: none"> Solenoid resistance |
| E811 | Abnormal voltage | <ul style="list-style-type: none"> When voltage higher than guaranteed one is inputted. 200V has been inputted to SC-922 of 100V specifications. JA : 220V is applied to 120V box. CE : 400V is applied to 230V box. | <ul style="list-style-type: none"> Check whether the applied power voltage is higher than the rated voltage + (plus) 10% or more. Check whether 100V/200V changeover connector is improperly set. <p>In the aforementioned cases, POWER p.c.b is broken.</p> |
| | | <ul style="list-style-type: none"> When voltage lower than guaranteed one is inputted. 100V has been inputted to SC-922 of 200V specifications. JA : 120V is applied to 220V box Inner circuit is broken by the applied over-voltage | <ul style="list-style-type: none"> Check whether the voltage is lower than the rated voltage - (minus) 10% or less. Check whether 100V/200V changeover connector is improperly set. Check whether fuse or regenerative resistance is broken. |
| E906 | Operation panel transmission failure | <ul style="list-style-type: none"> Disconnection of operation panel cord Operation panel has broken. | <ul style="list-style-type: none"> Check the operation panel connector (CN38) for loose connection and disconnection. Check whether the operation panel cord has broken since the cord is caught in the machine head. |
| E924 | Motor driver failure | <ul style="list-style-type: none"> Motor driver has broken. | |
| E939 | Stepping motor origin-return error | <ul style="list-style-type: none"> When the stepping motor signal is not properly input | <ul style="list-style-type: none"> Check whether the connector (CN41) to which the stepping motor single is input has loosened or has slipped off. Check whether the stepping motor signal cord has a break. |
| | | <ul style="list-style-type: none"> When the origin sensor signal is not properly input | <ul style="list-style-type: none"> Check whether the connector (CN58) to which the origin sensor signal is input has loosened or has slipped off. Check whether the origin sensor signal cord has a break. |
| E942 | Faulty EEPROM | <ul style="list-style-type: none"> Data cannot be written on the EEPROM. | <ul style="list-style-type: none"> Turn the power OFF. |

* The error number attached with an asterisk (*) is displayed only in the case a fault occurs when the IT panel is connected to the sewing machine.