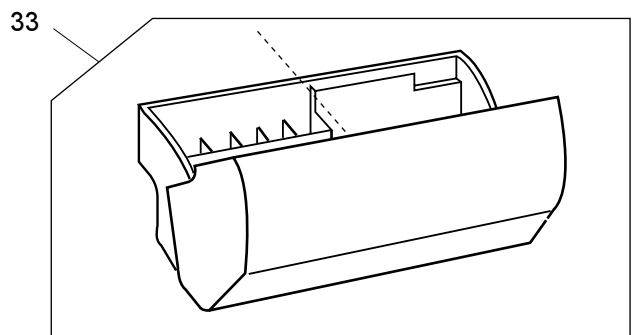
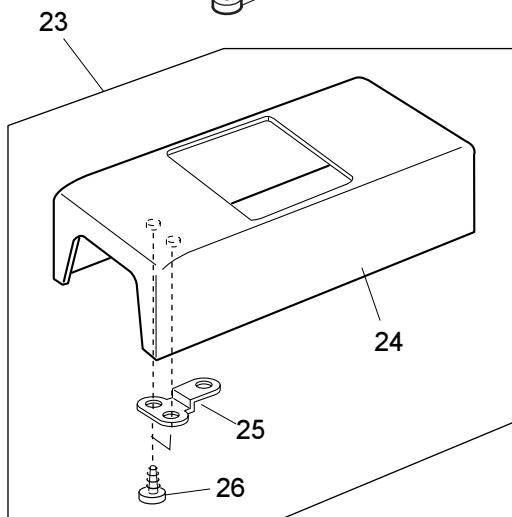
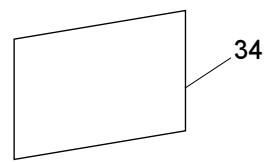
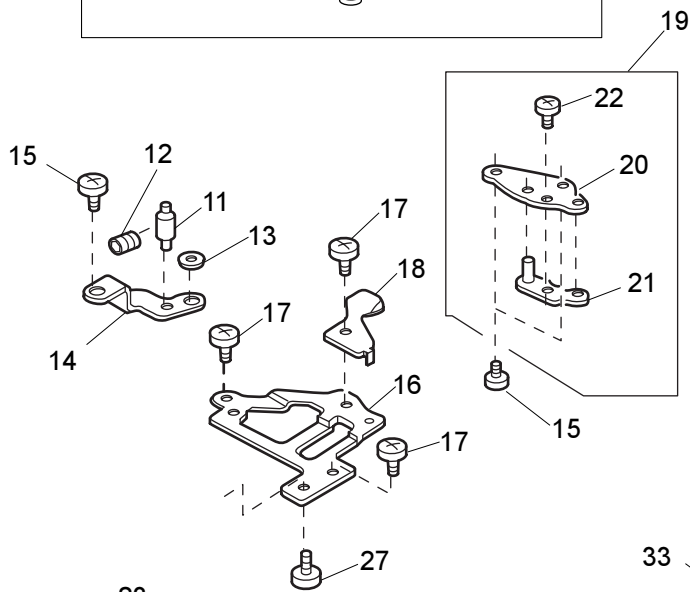
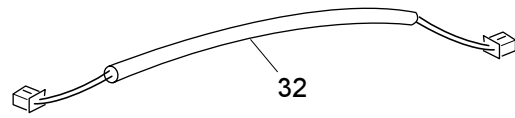
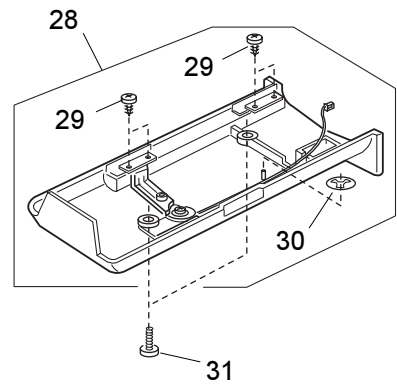
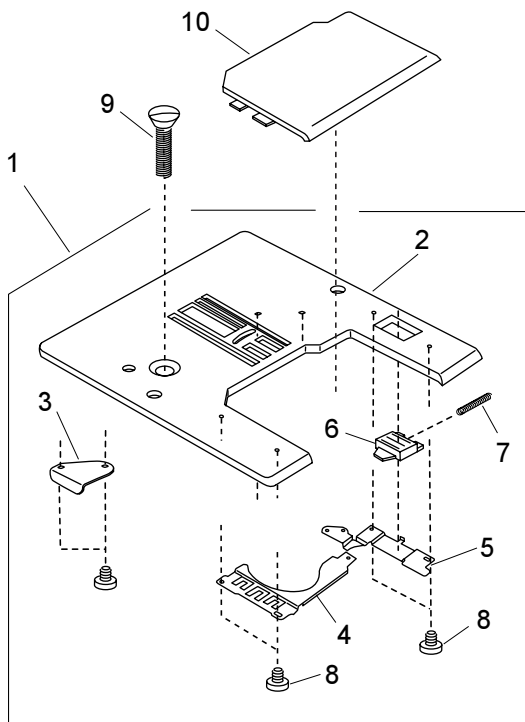
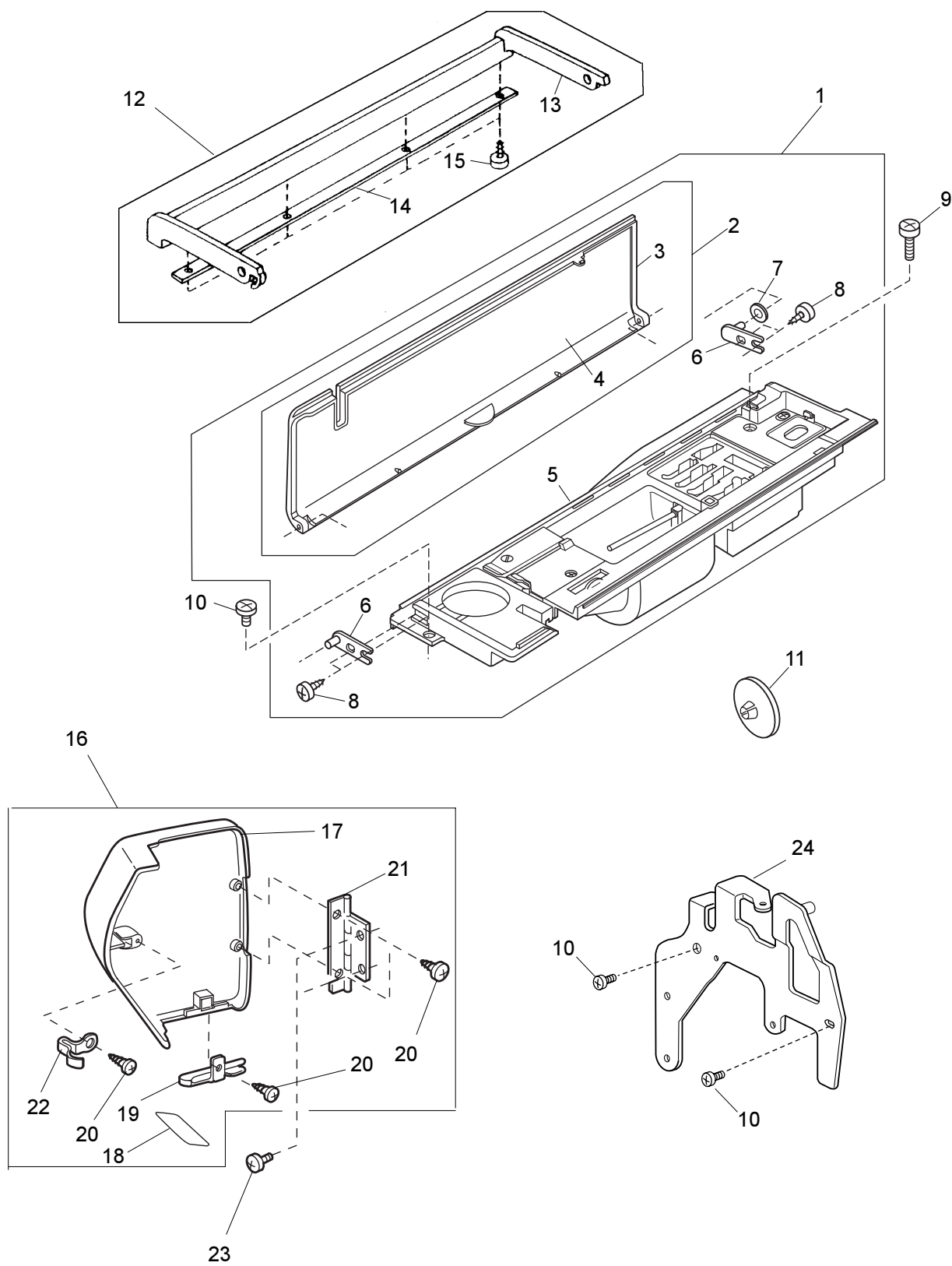


# ***PARTS LIST***

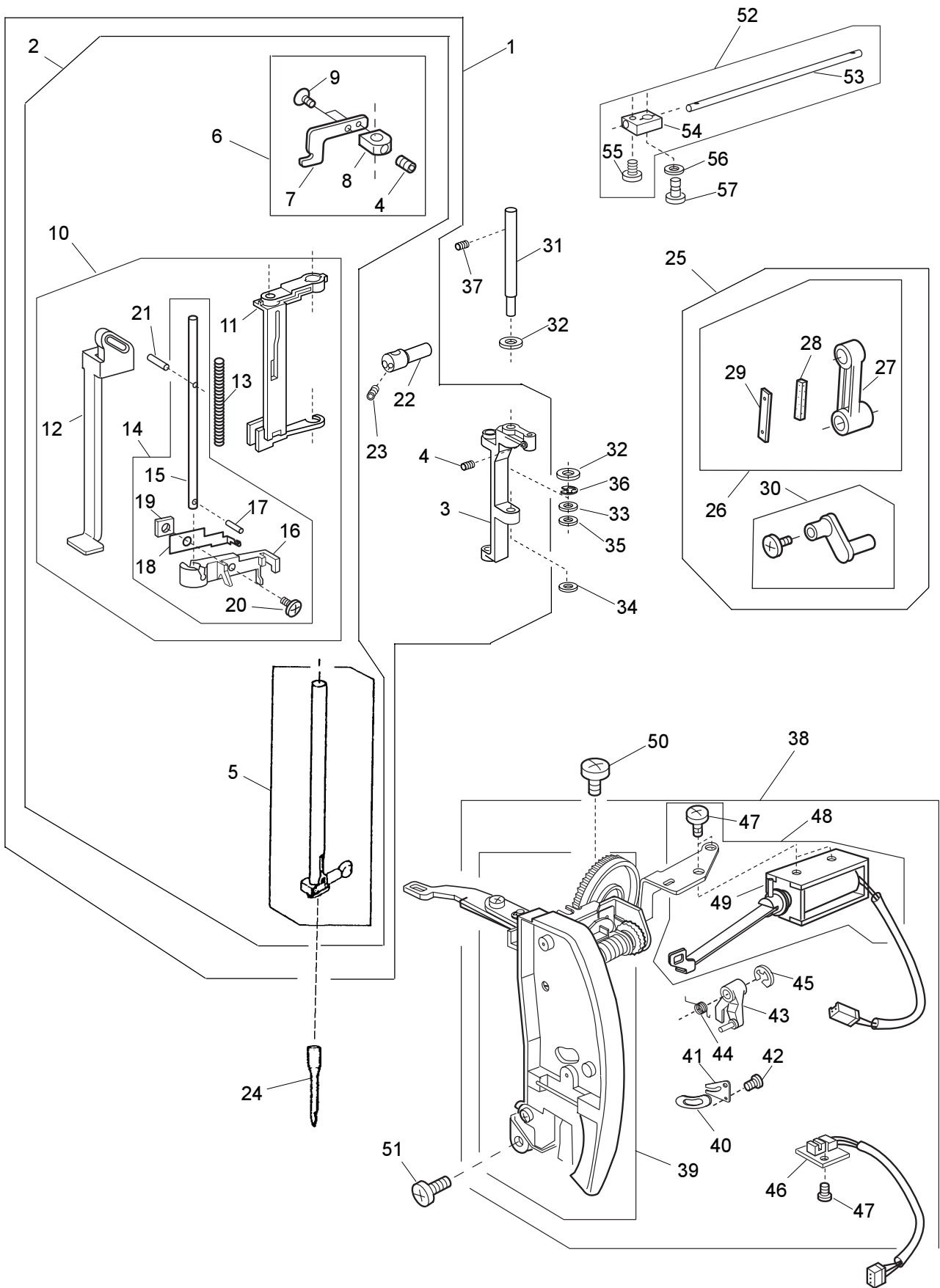
*Memory Craft 9700*



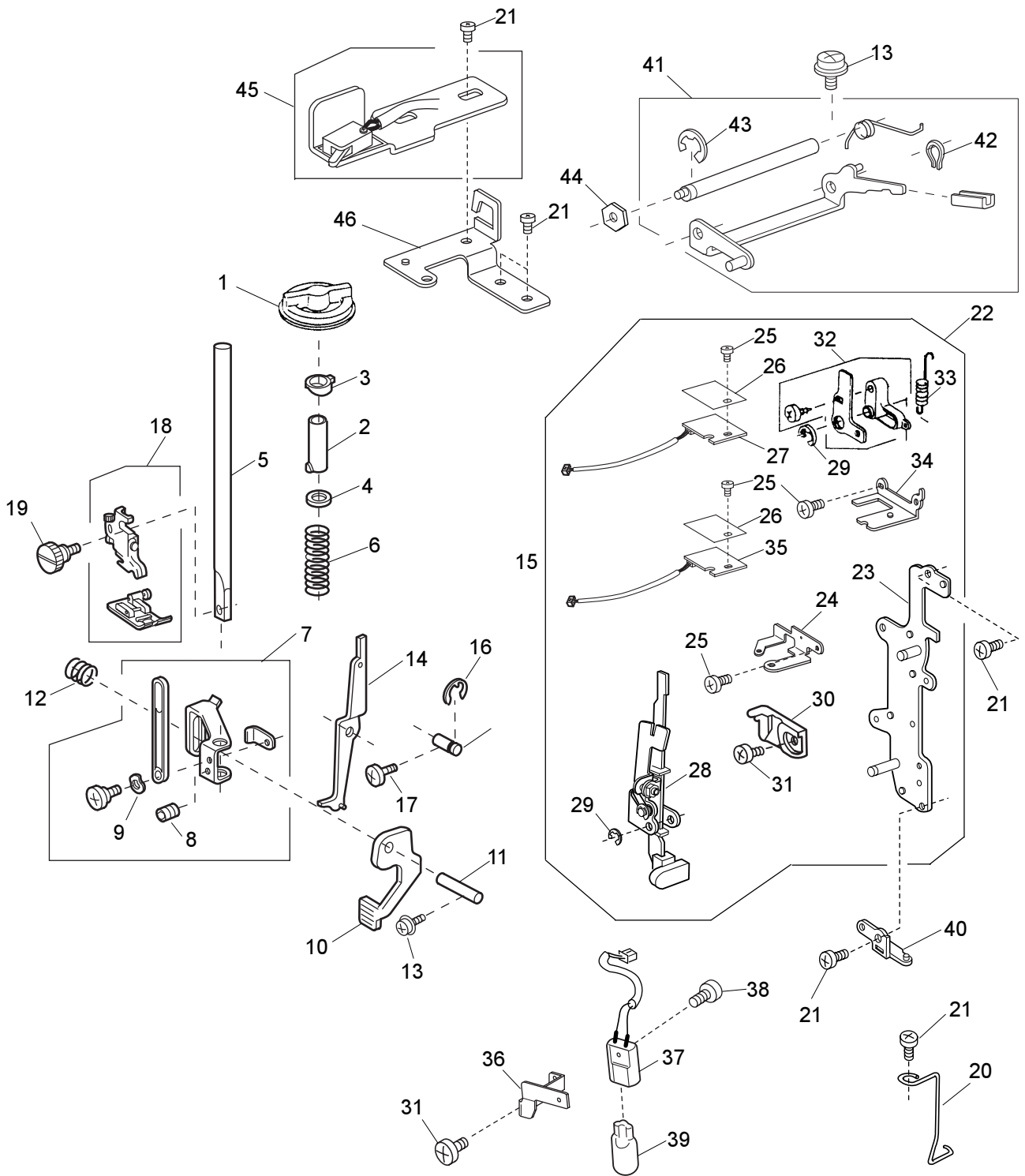
Ref.	Part No.	Description
1	853615002	Needle plate unit
2	851075008	Needle plate
3	654078004	Bobbin holder stopper
4	832235010	Bobbin hold plate
5	832012019	Hook cover plate supporter (R)
6	825016000	Hook cover plate holder block j-n1
7	825017001	Spring
8	000169709	Pan head small screw 2x2.3
9	820390109	Set screw (large)
10	750036012	Hook cover plate
11	832013009	Pin
12	000111201	Hexagon socket screw 4x4
13	822314002	Nut
14	832014000	Supporter
15	000101404	Set screw 4x6
16	832165007	Stopper plate
17	810220106	Set screw
18	851038009	Hook stopper
19	825605013	Plate unit
20	825021019	Plate
21	825022009	Needle plate adjusting plate
22	000101105	Set screw 3x4
23	852601105	Free arm cover unit
24	852021105	Cover
25	832003006	Cover setting plate
26	000161103	Set screw 3x8
27	000103705	Set screw 4x5
28	851501019	Bed cover unit
29	000162805	Set screw
30	000014306	Snap ring cs-3
31	000103509	Set screw 4x10
32	830545009	Cable (unit)
33	853502005	Extension table unit
34	852004009	Caution card



Ref.	Part No.	Description
1	853601304	Top cover unit
2	853602305	Top cover unit
3	853005003	Top cover
4	857035004	Reference chart
5	853603007	Top cover base
6	830013003	Top cover hinge
7	830190005	Washer
8	000161103	Set screw 3x8
9	000080901	Set screw 4x2.5
10	000081005	Screw m4x8
11	822020503	Spool holder j-n47
12	850633030	Handle unit
13	850009020	Handle
14	850010013	Reinforcement metal
15	000197809	Setscrew
16	857622004	Face plate unit
17	857623005	Face plate
18	827099003	Face plate sticker
19	832508006	Thread cutter
20	000161103	Set screw 3x8
21	366501102	Face plate hinge
22	650025004	Face plate spring
23	000077503	Set screw 4x6
24	834014006	Handle base plate (front)

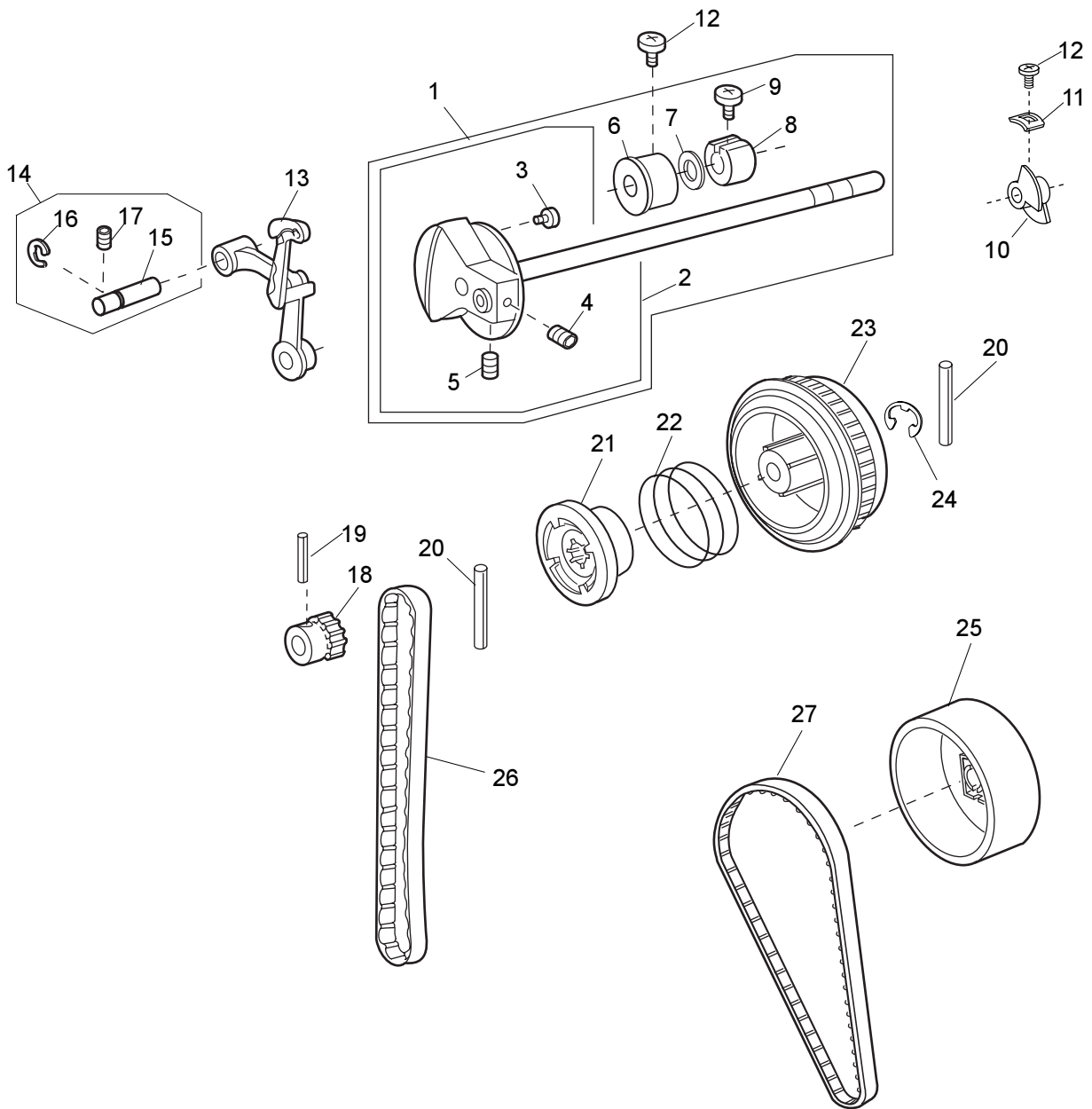


Ref.	Part No.	Description
1	857601007	Needle bar supporter unit
2	857501109	Needle bar supporter
3	857501006	Needle bar supporter unit
4	000111902	Hexagon socket screw 3x4
5	830609404	Needle bar unit
6	857602008	Threader guide plate unit
7	857037006	Threader guide plate
8	751016008	Threader positioning holder
9	000097602	Set screw 2x4
10	853509002	Threader (unit)
11	755062001	Frame
12	853026000	Threader lever
13	755067006	Spring
14	857603009	Threader shaft
15	755066005	Needle threader shaft
16	857038007	Threader supporter
17	000003508	Spring pin 2x8
18	857039008	Threader plate
19	755095003	Nut
20	755096004	Set screw (white)
21	000125105	Slit pin (E) 2x16ch
22	751047008	Needle bar supporter
23	000111201	Hexagon socket screw 4x4
24	102408089	Needle 15x1 14
25	850662005	Needle bar crank unit
26	650607006	Needle bar crank rod unit
27	650039001	Needle bar crank rod
28	650040005	Felt
29	650041006	Felt holding spring
30	652512009	Needle bar crank pin (unit)
31	823018006	Needle bar supporter shaft
32	822063003	Felt
33	000036108	Thrust washer FT70
34	000036603	Washer 5.2x8x0.5
35	000116000	Corrugated washer (7)
36	000001609	Snap ring 5
37	000111108	Hexagon socket screw 4x6
38	853604019	Tension unit
39	853503017	Tension unit
40	853037004	Cushion
41	834173004	Cushion supporter
42	000161103	Set screw 3x8
43	830660001	Lever unit
44	830049008	Sensor lever spring
45	000001207	Snap ring 2.5
46	852502002	Circuit board unit
47	000101105	Set screw 3x4
48	834604102	Solenoid unit
49	851516109	Solenoid unit
50	000081005	Screw m4x8
51	000101703	Set screw 4x12
52	850617005	Zigzag rod unit
53	850082005	Zigzag rod
54	823065008	Connector
55	000115308	Set screw 2x8
56	823066009	Connecter shaft
57	000116103	Corrugated washer 4

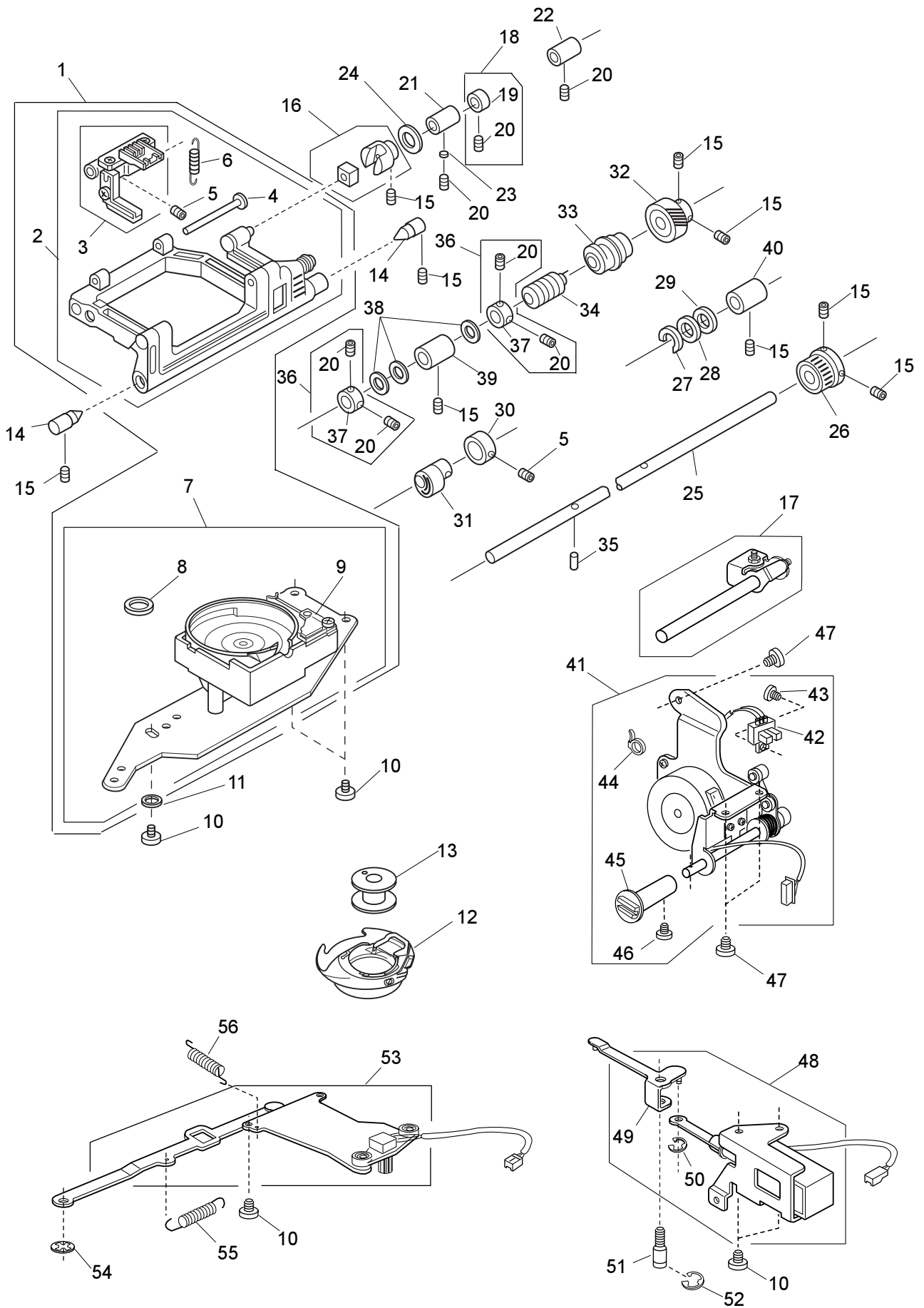




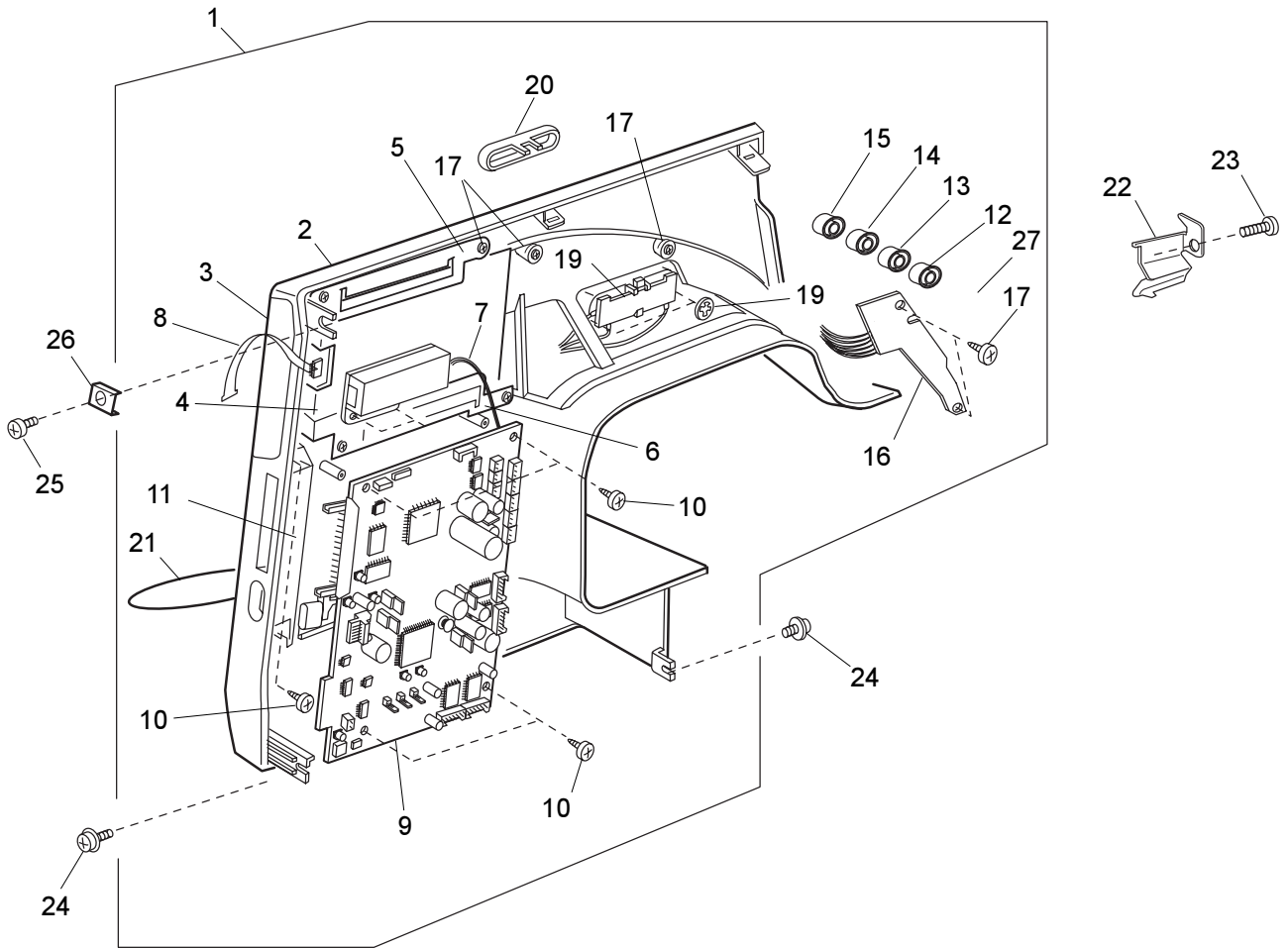
Ref.	Part No.	Description
1	830026010	Foot pressure adjusting dial
2	830027000	Bushing
3	830028001	Pressure regulating cam
4	102061008	Darner spring washer
5	830029002	Presser bar
6	830030006	Pressure spring
7	830586024	Presser bar supporter (unit)
8	000111500	Hexagon socket screw 4x8
9	000116608	Washer
10	830035012	Presser bar lifter
11	822072005	Presser bar lifter pin
12	102222009	Darner spring
13	000115629	Setscrew
14	830037025	Tension release lever
15	830338007	Thread release lever pin
16	000002507	Snap ring e-4
17	000081027	Setscrew
18	832501009	Presser foot unit
19	825252000	Thumb screw
20	830039027	Thread guide
21	000081005	Screw m4x8
22	853605009	Front plate unit
23	853025010	Front base plate
24	846044002	Base plate
25	000101105	Set screw 3x4
26	853028002	Insulation paper
27	852502105	Circuit board unit
28	843625107	Buttonhole lever (unit)
29	000002105	Snap ring 3
30	830057010	Lever guide
31	000103808	Set screw 3x5
32	830661002	Link unit
33	830277007	Presser shield plate spring
34	853027001	Attachment plate
35	852502208	Circuit board unit
36	852039003	Lamp set plate
37	501509404	Lamp socket (unit)
38	000102900	Set screw 2x8
39	000026002	Light bulb
40	851045009	Threader guide
41	830585012	Arm unit
42	000014605	Snap ring g-6
43	000001609	Snap ring 5
44	000061205	Nut
45	852621008	Switch unit
46	853010001	Pressure lift switch set plate



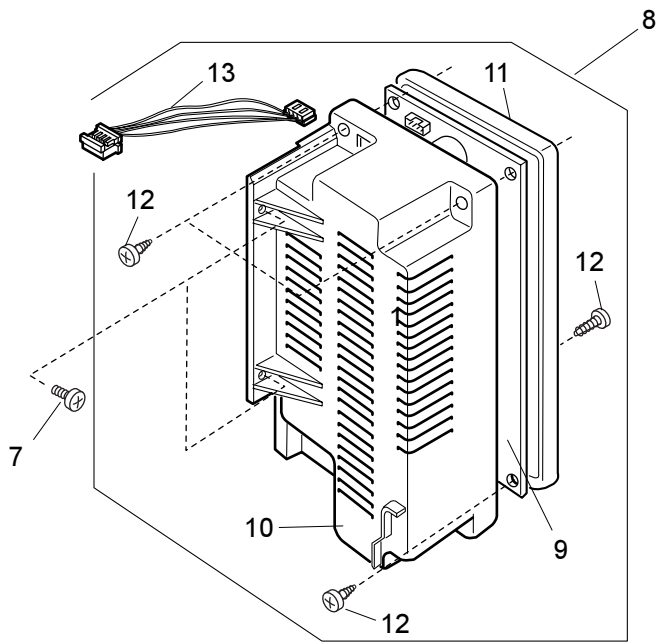
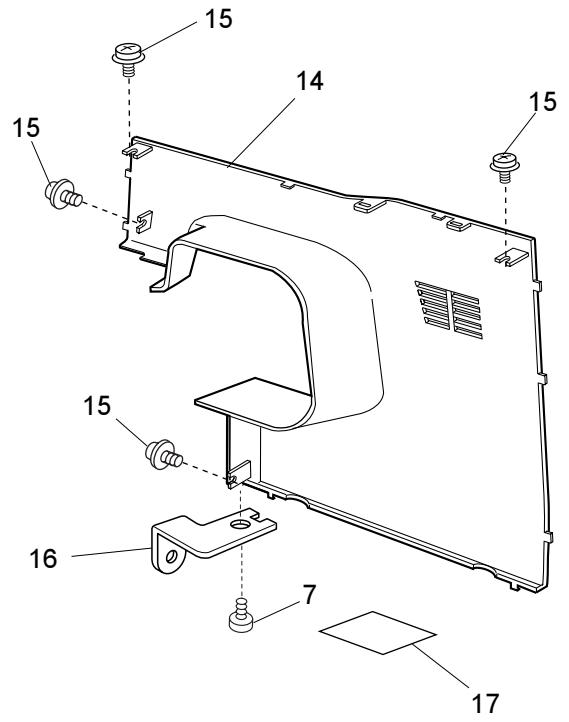
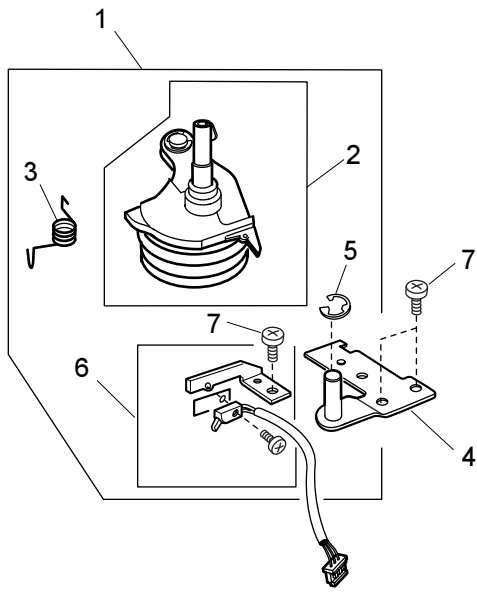
Ref.	Part No.	Description
1	852613007	Upper shaft unit
2	852508008	Upper shaft unit
3	000078319	Set screw 3x6
4	000110901	Hexagon socket screw 5x4
5	000111706	Hexagon socket screw 5x8
6	673061003	Upper shaft front bushing
7	000038605	Washer
8	821025000	Upper shaft ring
9	000103509	Set screw 4x10
10	830095010	Upper shaft shield plate
11	820102009	Washer
12	000081005	Screw m4x8
13	820511108	Take up lever unit
14	650626001	Take-up lever sup. pin (unit)
15	650062003	Thread take up lever shaft
16	000001702	Snap ring e-6(D)
17	000111201	Hexagon socket screw 4x4
18	830341003	Belt wheel
19	000004303	Spring pin 3x20
20	000024206	Spring pin 3x30
21	502064003	Clutch ring
22	502065004	Clutch spring
23	303025009	Belt wheel
24	000030205	Snap ring e-8
25	502068203	Hand wheel
26	850165003	Timing belt
27	650071005	Timing belt



Ref.	Part No.	Description
1	853612009	Feed rock shaft unit
2	832633104	Feed rock shaft unit
3	832535105	Feed base (unit)
4	825099007	Feed base plate
5	000111108	Hexagon socket screw 4x6
6	825103005	Spring
7	832627105	Hook race unit
8	627190010	Magnet
9	627567001	Hook stopper (unit)
10	000081005	Screw m4x8
11	000070506	Polished plain washer 4
12	832517204	Bobbin holder unit
13	102261103	Bobbin
14	738055008	Straight pin
15	000111304	Hexagon socket screw 5x5
16	625508008	Feed regulator unit
17	850614105	Feed arm unit
18	820673006	Ring (unit)
19	820387000	Ring
20	000111201	Hexagon socket screw 4x4
21	625144002	Feed shaft bushing (front)
22	650092002	Feed shaft bushing (rear)
23	650175000	Screw base
24	823110009	Felt
25	850071001	Lower shaft
26	822113009	Adjustor wheel
27	822112008	Felt holder (1)
28	822070003	Felt
29	000036201	Trust washer ft80
30	810092004	Ring
31	825091102	Feed cam
32	650076000	Lower shaft gear
33	825092000	Feed lifting cam
34	825093001	Spring
35	820161006	Feed lifting pin
36	820672005	Lower shaft ring unit
37	820166001	Ring
38	000038502	Washer 8x0.5
39	650078002	Lower shaft bushing (front)
40	650079003	Lower shaft bushing (rear)
41	853610007	Feed stepping motor
42	852511406	Circuit board unit
43	000115401	TP screw 3x4
44	000053008	Wire tie band skb-1m
45	832087004	Feed balance dial
46	000115009	Set screw 3x8
47	000101404	Set screw 4x6
48	850645013	Solenoid unit
49	850083006	Bobbin thread sensor arm
50	000002105	Snap ring 3
51	832097018	Hinge screw
52	000002507	Snap ring e-4
53	850618109	Sensor set plate unit
54	000013707	Snap ring cs-2.4
55	850089002	Spring
56	850212017	Spring

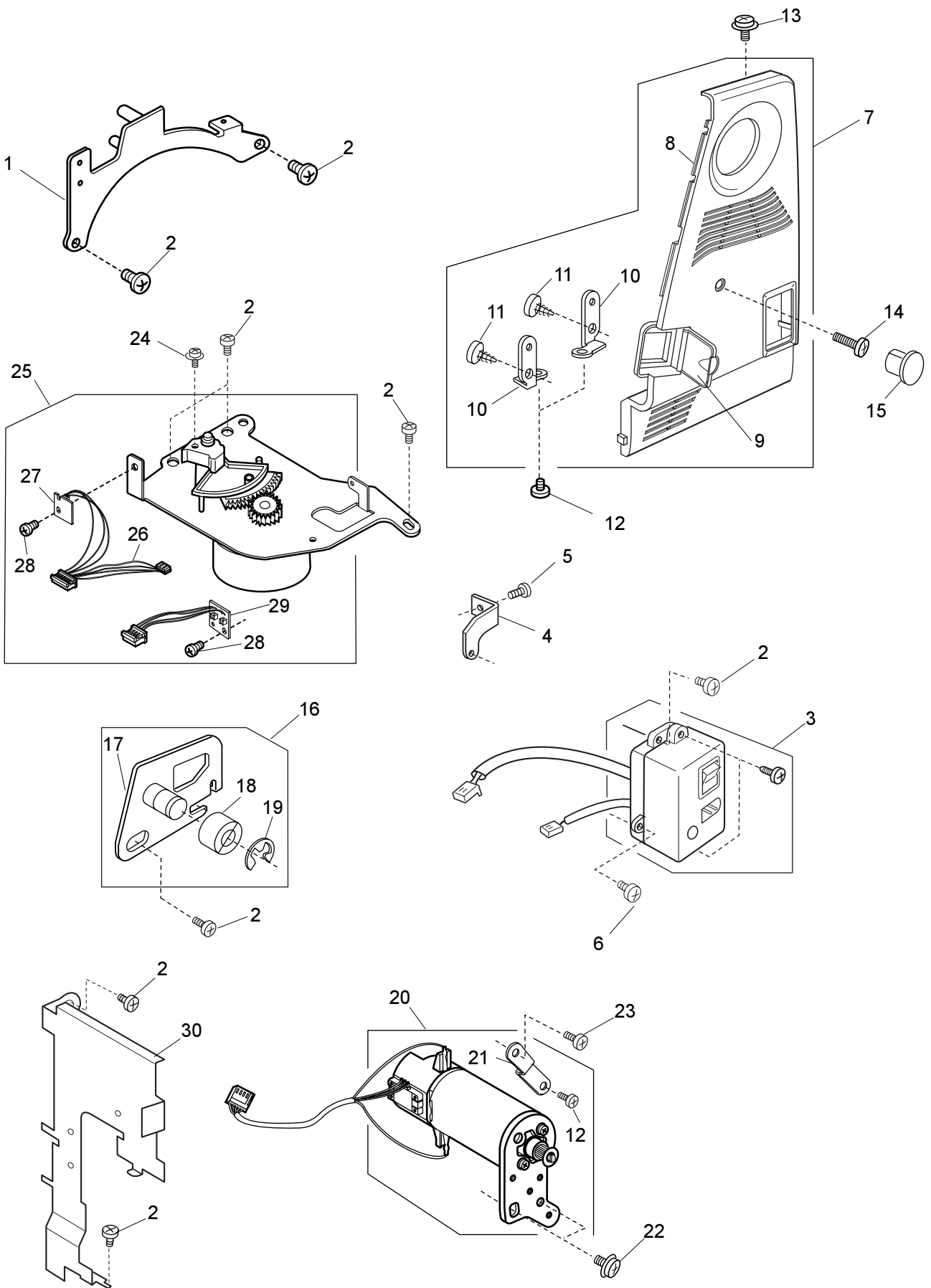


Ref.	Part No.	Description
1	857605001	Front cover unit
2	857606002	Front cover
3	857030102	Ornamental plate
4	857607003	LCD unit
5	857033002	LCD attachment plate
6	857609005	LCD attachment plate unit
7	850524004	Inverter harness unit
8	852505005	LCD harness unit
9	857610009	Printed circuit board A unit
10	000076317	Set screw 3x10-2v
11	852019007	Card guide
12	852020104	Ss button
13	850059139	Button
14	850059232	Button
15	850059335	Button
16	853501004	Circuit board (F) unit
17	000120203	+bind h. tap screw 3*8(B)
18	653507004	Slide volume unit
19	000014306	Snap ring cs-3
20	845027109	Slide knob
21	857032001	Emblem
22	825183010	Thread guide
23	000096508	Setscrew
24	000115607	TP screw
25	000066705	Screw m3x8
26	832177002	Washer
27	852053003	Spring

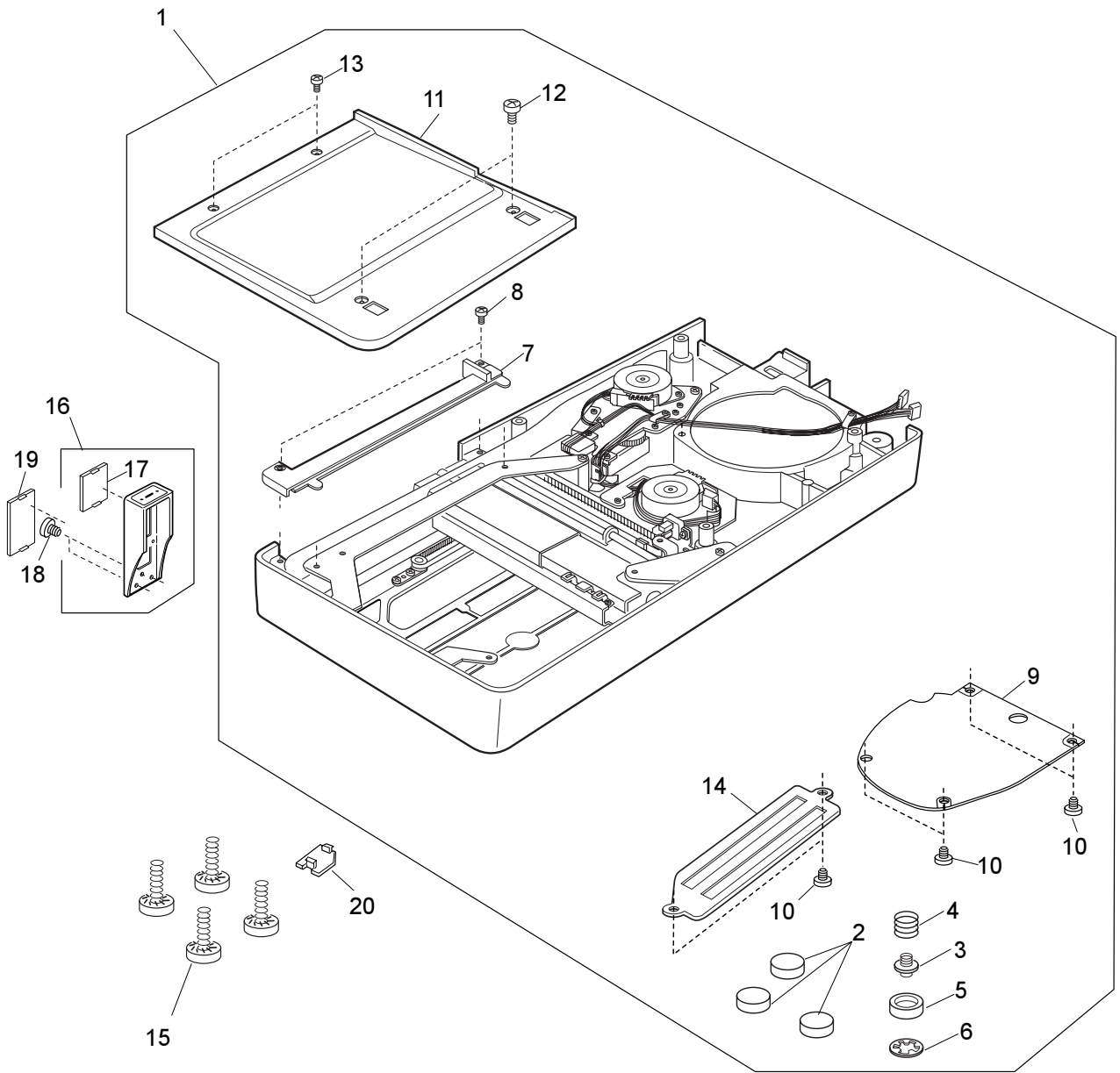




Ref.	Part No.	Description
1	853613000	Bobbin winder unit
2	853506009	Bobbin winding (unit)
3	823119008	Bobbin winder spring
4	852029103	Bobbin winder base plate
5	000001609	Snap ring 5
6	852615009	Bobbin winder switch unit
7	000081005	Screw m4x8
8	850628205	Switching power supply unit
9	850541018	Switching power supply unit
10	850157024	Case
11	850158014	Lid
12	000119704	TP screw
13	850523003	Power supply harness
14	853002103	Rear cover
15	000115607	TP screw
16	853021005	Rear plate cover fixing plate
17	850201002	Carriage sticker

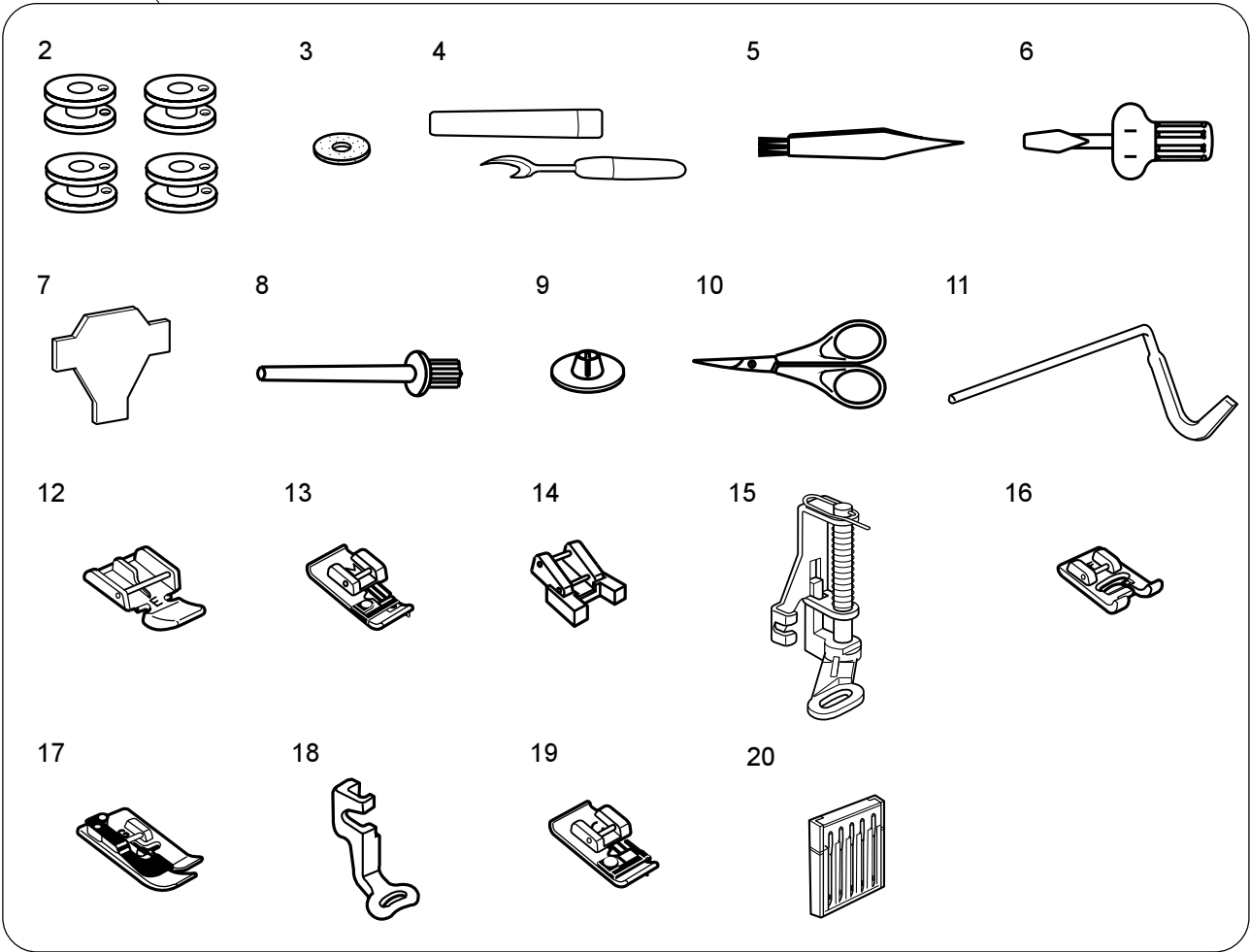


Ref.	Part No.	Description
1	852032006	Bobbin winder base plate
2	000081005	Screw m4x8
3	845503104	Machine socket unit
4	852036000	Plug set plate
5	810220106	Set screw
6	000101817	+binding screw 4x16
7	853614001	Belt cover unit
8	852031108	Belt cover
9	853022006	Cover
10	832099009	Belt cover fixing plate
11	000161103	Set screw 3x8
12	000066705	Screw m3x8
13	000115009	Set screw 3x8
14	000104108	Set screw 4x20
15	653006101	Cap (J-N47)
16	851617008	Idler unit
17	851039000	Idler base
18	625217100	Idler
19	000002806	Snap ring 6
20	080270207	DC motor
21	850205006	Motor mounting plate
22	000115607	TP screw
23	000101404	Set screw 4x6
24	000115308	Set screw 2x8
25	853611008	Zigzag stepping motor unit
26	850506608	Motor harness unit
27	852511509	Circuit board unit
28	000101105	Set screw 3x4
29	843505203	Printed circuit board p unit
30	853023007	Motor guard plate

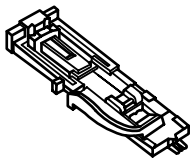


Ref.	Part No.	Description
1	852617001	Base unit
2	830150003	Rubber cushion
3	820350004	Adjusting screw
4	820351005	Spring
5	605074008	Rubber foot
6	813123004	Snap ring CS
7	850146008	Cover
8	000066727	Set screw 3x8
9	850151017	Base lid
10	810220106	Set screw
11	851053103	Base cover
12	000101426	Set screw
13	000101127	+binding screw 3x4
14	832146002	Base lid (1)
15	000127107	Setscrew
16	850627008	Carriage plate unit
17	850169007	Lid
18	000078319	Set screw 3x6
19	850156001	Lid
20	851071004	Lid

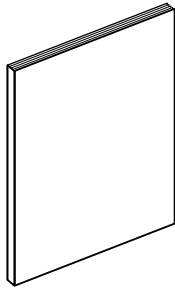
1



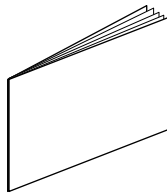
21



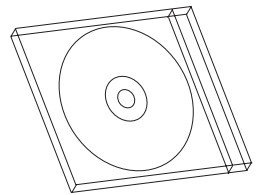
22



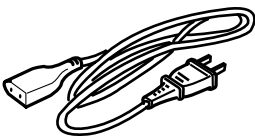
23



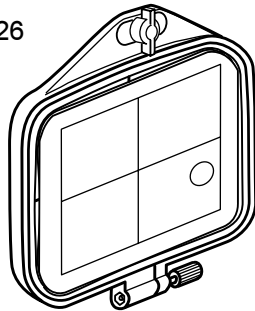
24



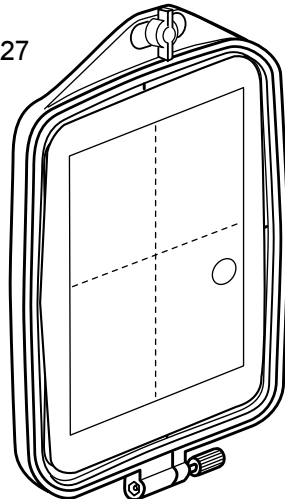
25



26



27



Ref.	Part No.	Description
1	853871008	Accessory set
2	102261103	Bobbin
3	102403109	Spool pin felt
4	560406104	Seam ripper unit
5	802424004	Lint brush
6	653802002	Screw driver (L)
7	820832005	Screwdriver (large)
8	625031500	Spool pin (2) n-47
9	822019509	Spool holder j-n47
10	822814007	Scissors
11	802422002	Quilting guide
12	829801002	Zipper foot (unit)
13	822808008	Overlock foot
14	802406011	Button sewing foot unit
15	830856006	Darning foot
16	822804118	Satin foot unit
17	825817009	Blind stitch foot
18	830810031	Embroidery foot
19	822801001	Overlock foot
20	832832002	Set of needles
21	830823118	Buttonhole foot
22	857801009	Instruction book (English)
	857800103	Instruction book (Dutch)
	857802208	Instruction book (French)
	857802309	Instruction book (German)
	857802402	Instruction book (Spanish)
	857802505	Instruction book (Italian)
	857802505	Instruction book (Finnish)
	857802608	Instruction book (Portuguese)
23	857803001	Template unit
24	857805003	Instructional movie (CD)
25	653524007	Power supply cord unit (USA & Canada)
	830314018	Power supply cord for Australia
	830377008	Power supply cord for Great Britain
	830335004	Power supply cord for Continental Europe
26	852807011	Embroidery hoop A unit
27	850802010	Embroidery hoop unit B
	857811301	Carton box for U.K. & Australia
	857811105	Carton box for Canada
	857811002	Carton box for U.S.A.
	857811208	Carton box for Netherlands, Germany & Belgium
	853810102	Set of polystyrene foams for all countries