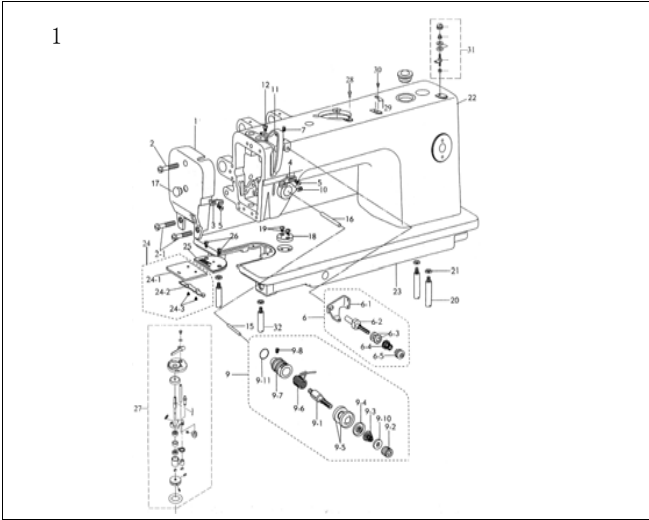


# 6380E系列

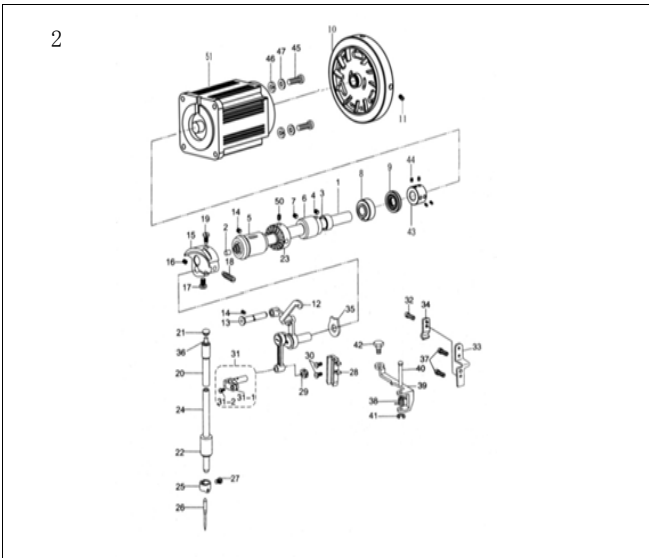
电脑厚料平缝机系列产品 Heavy duty computerized lockstitch sewing machine

## 零件手册 Parts Manual



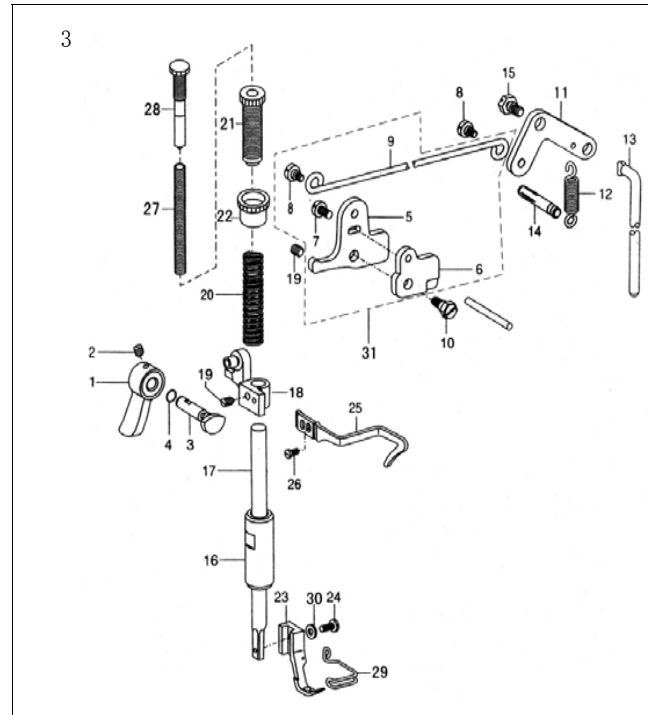
### 1. 机壳、外装组件/Machine frame & miscellaneous cover components

序号NO.	公司件号	Part NO.	名称 PartName	零件描述 Description	数量 Number
1	1330100		机壳	Part plate asm	1
2	201111025		机壳螺钉	Screw	1
2-1	13311047		机壳螺钉	Screw	2
3	13312003		机壳线勾	Arm thread guide	1
4	13313009		线勾	Arm thread guide	1
5	101311005		线勾螺钉	Screw	2
6	1331300100		小天线组件	ROBEIN THREAD TENSIONISM	1
6-1	13312005		小天线过线板	ROBEIN THREAD TENSION ROD	1
6-2	133130001		小天线螺钉	ROBEIN THREAD TENSION ROD	1
6-3	133130002		小天线板	ROBEIN THREAD TENSION DISK	2
6-4	13627001		小天线弹簧	CONNECTING ROD SPRING	1
6-5	101310016		小天线螺母	NUT	1
7	13315001		小天线固定螺钉	SCREW	1
9	136130000		天线组件	Thread tension asm	1
9-1	133130002		天线螺钉	Thread tension nut	1
9-2	101310001		天线螺母	tension nut	1
9-3	13327002		天线弹簧	Thread tension spring	1
9-4	13313004		松线板	disk stopper	1
9-5	13313005		松线板	Thread tension disk	2
9-6	13327003		挑线簧	takeup spring	1
9-7	13313006		挑线簧底座	Thread tension post base	1
9-8	101311005		挑线簧固定螺钉	Screw	1
9-10	13313008		挑线簧固定螺母	Tension disk stopper	1
9-11	901050		O型圈	Ring 14.5x1.5	1
10	133111001		挑线簧固定螺钉	Screw	1
11	13312006		挑线簧调节螺母	Thread take-up lever cover	1
12	201111016		挑线簧保护罩	Screw	1
15	13613001		挑线簧销	Thread release pin	1
16	13613002		挑线簧	Thread release pin	1
17	13322001		挑线簧底座	Rubber plug 4.9	1
18	10112002		挑线簧底座	Ruler stop seat	1
19	101311002		挑线簧底座	Screw	2
20	13323001		挑线簧底座	rod screw stud(tail)	2
21	902004		挑线簧底座	Spring washer	4
21-1	13313002		挑线簧底座	Slide plate	1
21-2	13312007		挑线簧底座	Slide plate spring	1
21-3	101311019		挑线簧底座	Screw	2
22	13313001		挑线簧底座	Thread plate	1
23	101311002		挑线簧底座	Screw	2
24	141101000		挑线簧底座	Rubber window omit	1
27	14111003		挑线簧底座	Rubber plug 12.5	1
28	1411001		挑线簧底座	THREAD CUTTER	1
29	101411005		挑线簧底座	SCREW	2
31	101311000		挑线簧底座	ROBEIN THREAD TENSION ASM	1
32	13320010		挑线簧底座	rod screw stud(thread)	2



### 2. 上轴挑线组件/Main shaft & thread take-up components

序号NO.	公司件号	Part NO.	名称 PartName	零件描述 Description	数量 Number
1	13603010		上轴	Main shaft	1
2	10122012		上轴橡皮塞	Rubber plug	1
3	13309001		上轴领圈	Thrust collar asm.	1
4	13315004		上轴紧固螺钉	Screw	2
5	13603001		上轴前轴套	Main shaft bushing, front	1
6	13303002		上轴中轴套	Brushing, intermediate	1
7	13315006		上轴中轴套	Screw	1
8	13603017		上轴后套	Main shaft bushing, back	1
9	13322010		上轴后轴套油封组件	Main shaft	1
10	13603002		后轴套	Thread	2
11	1410009		后轴套螺钉	Screw	2
12	13320003		挑线杆组件	Thread take-up asm	1
13	13320003		挑线杆过线轴	Thread take-up crank shaft	1
14	13315009		挑线杆过线轴螺钉	Screw	2
15	13304001		平衡块	Counterweight	1
16	13312001		挑线杆固定螺钉	Screw	1
17	10131007		挑线杆固定螺母	Screw	1
18	10131004		挑线杆固定螺母	Screw	1
19	13311002		挑线杆固定螺母	Screw	1
20	13303006		挑线杆上衬套	Needle bar metal, upper	1
21	10122013		挑线杆上衬套橡皮塞 (φ 8.5)	Cap	1
22	13603003		挑线杆下衬套	Needle bar metal, lower	1
23	11103113		挑线杆	SPRING-BRINGING-WHEEL	1
24	13603002		挑线杆	Needle bar	1
25	13313011		挑线杆过线环	Needle bar thread guide	1
26	13317001		挑线杆	Needle	1
27	101311006		挑线杆	Screw	1
28	13609001		挑线杆	Needle bar trough	1
29	11109001		挑线杆	Slide block	1
30	101311008		挑线杆	Screw	2
31	10138002		挑线杆	Needle bar connection	1
31-2	101311005		挑线杆	Needle bar	1
32	101311009		挑线杆	Screw	1
33	13612001		挑线杆	挑线杆固定螺母	1
34	13612002		挑线杆	挑线杆	1
35	13322001		挑线杆	挑线杆上轴套	2
37	10111010		挑线杆	挑线杆固定螺母	2
38	13617002		挑线杆	挑线杆	1
39	13612003		挑线杆	挑线杆	1
40	13620001		挑线杆	挑线杆	1
41	905014		挑线杆	挑线杆	1
42	13612001		挑线杆	挑线杆	1
43	13603018		挑线杆	挑线杆	1
44	1110017		挑线杆	挑线杆	1
45	11103001		挑线杆	挑线杆	1
46			挑线杆	挑线杆	1
47			挑线杆	挑线杆	1
48	113114002		挑线杆	挑线杆	2
51	136120020		挑线杆	挑线杆	1

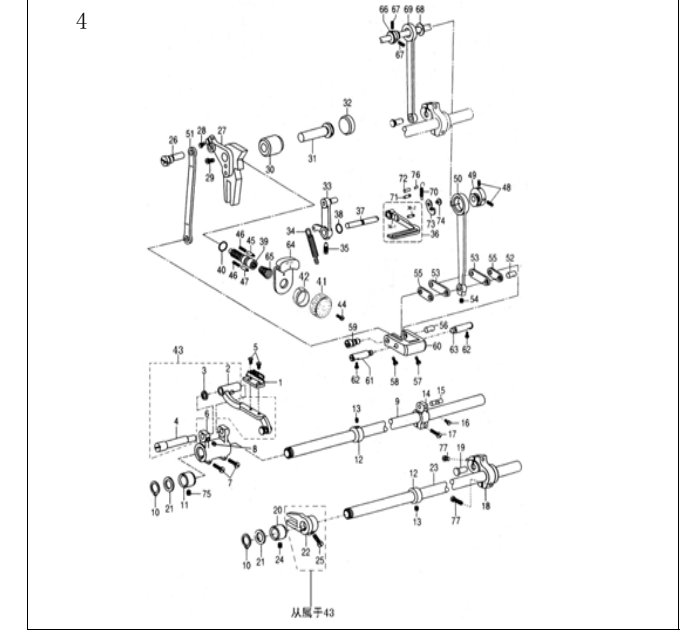


### 3. 压料分组件/Presser bar components

序号NO.	公司件号	Part NO.	名称 PartName	零件描述 Description	数量 Number
1	13311005		压料扳手	Presser bar lifter	1
2	13315017		压料扳手螺钉	Set screw	1
3	13310004		压料扳手提升凸轮	Presser bar lifting cam	1
4	901009		压料扳手提升凸轮油封	O-ring	1
5	13312013		压料扳手提升杆(左)	Presser bar lifter (left)	1
6	13310005		压料扳手提升杆(右)	Presser bar lifter (right)	1
7	13311028		压料扳手提升杆(左)螺钉	Presser bar lifter (left) screw	1
8	13311027		压料扳手提升杆(右)螺钉	Presser bar lifter (right) screw	1
9	10112013		压料扳手提升杆	Presser bar lifter rod	1
10	13311028		压料扳手提升杆(左)螺钉	Screw	1
11	13312015		压料扳手提升杆(右)螺钉	Presser bar lifter (right) screw	1
12	13327010		压料扳手提升杆(右)弹簧	Presser bar lifter (right) spring	1
13	13312016		压料扳手提升杆	Presser bar lifter connecting rod	1
14	13320005		压料扳手提升杆	Pin for spring	1
15	13312002		压料扳手提升杆(右)螺钉	Presser bar lifter (right) screw	1
16	13303013		压料扳手提升杆	Presser bar bushing	1
17	13302019		压料扳手提升杆	Presser bar	1
18	13305009		压料扳手提升杆	Presser bar lifting bracket	1
19	13315003		压料扳手提升杆	Set screw	1
20	13327011		压料扳手提升杆	Presser bar spring	1
21	13313004		压料扳手提升杆	Lock nut	1
22	13314003		压料扳手提升杆	Set screw	1
23	13310001		压料扳手提升杆	Presser bar lost complete	1
24	101311009		压料扳手提升杆	Screw	1
25	13313012		压料扳手提升杆	Upper thread guide	1
26	101311002		压料扳手提升杆	Screw	1
27	13303005		压料扳手提升杆	Auxiliary lock nut	1
28	13327012		压料扳手提升杆	Presser bar spring	1
29	13312017		压料扳手提升杆	Defend tick off	1
30	13329007		压料扳手提升杆	Washer	1
31	133120120		压料扳手提升杆	Presser bar lifter (left) cam	1

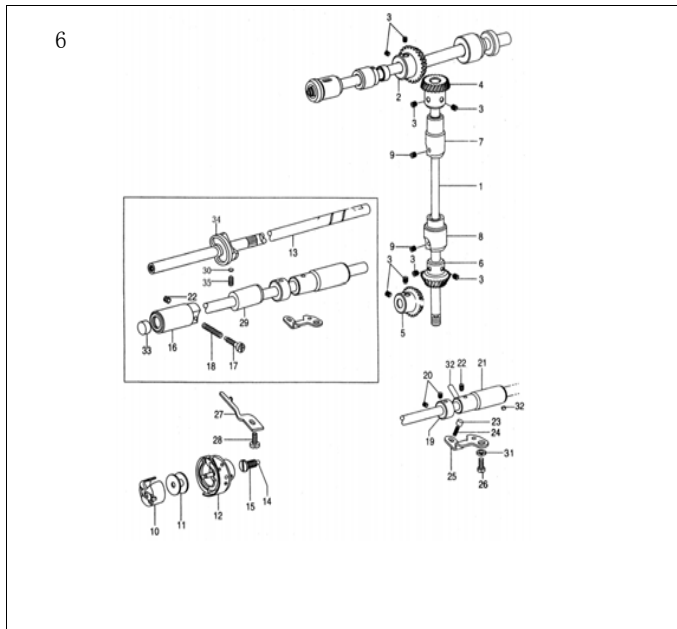
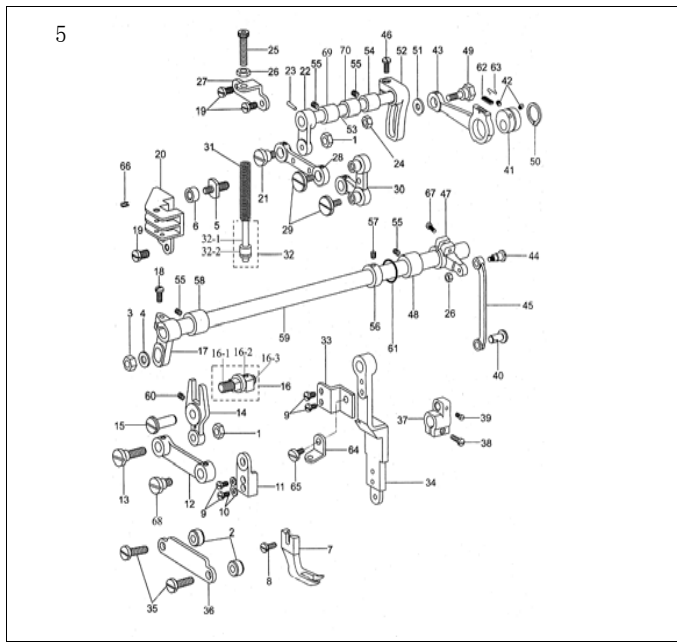
### 4. 送料分组件/Feed mechanism components

序号NO.	公司件号	Part NO.	名称 PartName	零件描述 Description	数量 Number
1	13614001		送料牙	Feed dog	1
2	133070030		送料架	Feed bar asm	1
3	13329004		送料架垫圈	Washer	1
4	13302005		送料架轴套	Feed bar shaft	1
5	10131018		送料架轴套	Screw	2
6	13304003		送料架轴套	Feed rocker asm.	1
7	13311018		送料架轴套	Screw	2
8	101311008		送料架轴套	送料架轴套	1
9	13603003		送料架轴套	Feed rocker shaft	1
10	903001		送料架轴套	Retaining ring	2
11	13603004		送料架轴套	Bushing for feed rock shaft(right)	1
12	13609001		送料架轴套	送料架轴套	1
13	13315004		送料架轴套	送料架轴套	1
14	13304004		送料架轴套	送料架轴套	1
15	13320001		送料架轴套	送料架轴套	1
16	101311025		送料架轴套	送料架轴套	1
17	101311019		送料架轴套	送料架轴套	1
18	13304005		送料架轴套	送料架轴套	1
19	13302009		送料架轴套	Hinge pin	1
20	13305005		送料架轴套	Bushing for feed rock shaft(right)	1
21	13329006		送料架轴套	Rubber	2
22	13305004		送料架轴套	送料架轴套	1
23	13602004		送料架轴套	送料架轴套	1
24	13315009		送料架轴套	送料架轴套	1
25	101311029		送料架轴套	送料架轴套	1
26	13310002		送料架轴套	送料架轴套	1
27	13309003		送料架轴套	送料架轴套	1
28	101311029		送料架轴套	送料架轴套	1
29	13311009		送料架轴套	送料架轴套	1
30	13303012		送料架轴套	送料架轴套	1
31	13302011		送料架轴套	Hinge pin for feed regulator	1
32	13620114		送料架轴套	送料架轴套	1
33	133041009		送料架轴套	送料架轴套	1
34	13627008		送料架轴套	送料架轴套	1
35	13315014		送料架轴套	送料架轴套	1
36	136010050		送料架轴套	送料架轴套	1
36-1	13601005		送料架轴套	送料架轴套	1
36-2	13608002		送料架轴套	送料架轴套	1
37	13602005		送料架轴套	送料架轴套	1
38	901045		送料架轴套	送料架轴套	1
39	13303003		送料架轴套	送料架轴套	1
40	901046		送料架轴套	送料架轴套	1
41	13311002		送料架轴套	送料架轴套	1
42	133070030		送料架轴套	送料架轴套	1
43	101311022		送料架轴套	送料架轴套	1
44	13329002		送料架轴套	送料架轴套	1
45	13327008		送料架轴套	送料架轴套	2
46	13329004		送料架轴套	送料架轴套	1
47	13315007		送料架轴套	送料架轴套	1
48	13310003		送料架轴套	送料架轴套	1
49	13305005		送料架轴套	送料架轴套	1
50	13305006		送料架轴套	送料架轴套	1
51	13302014		送料架轴套	送料架轴套	1
52	13305013		送料架轴套	送料架轴套	1
53	13305007		送料架轴套	送料架轴套	1
54	101311025		送料架轴套	送料架轴套	2
55	13305008		送料架轴套	送料架轴套	2
56	13305003		送料架轴套	送料架轴套	1
57	201311012		送料架轴套	送料架轴套	1
58	201311007		送料架轴套	送料架轴套	1
59	13302015		送料架轴套	送料架轴套	1
60	13304007		送料架轴套	送料架轴套	1
61	13302016		送料架轴套	送料架轴套	1
62	101311019		送料架轴套	送料架轴套	1
63	13302017		送料架轴套	送料架轴套	1
64	13312011		送料架轴套	送料架轴套	1
65	13327009		送料架轴套	送料架轴套	1
66	13310001		送料架轴套	送料架轴套	1
67	13315007		送料架轴套	送料架轴套	1
68	13329002		送料架轴套	送料架轴套	1
69	13304001		送料架轴套	送料架轴套	1
70	13627003		送料架轴套	送料架轴套	1
71	13629005		送料架轴套	送料架轴套	1
72	13629001		送料架轴套	送料架轴套	1
73	13612004		送料架轴套	送料架轴套	1
74	13603001		送料架轴套	送料架轴套	1
75	101311012		送料架轴套	送料架轴套	1
76	1291005		送料架轴套	送料架轴套	1
77	201311027		送料架轴套	送料架轴套	1



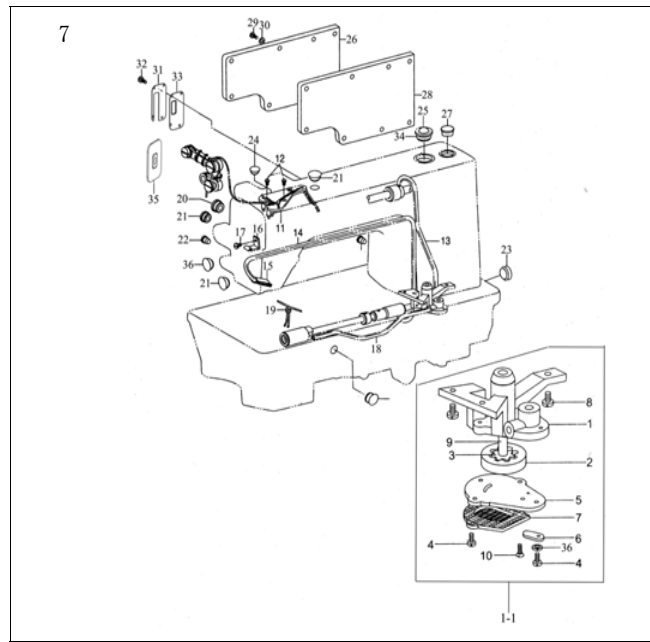
### 5. 送料分组件/Feed mechanism components

序号NO.	公司件号	Part NO.	名称 PartName	零件描述 Description	数量 Number
1	13313004		送料架轴套	Nut	2
2	13309003		送料架轴套	Shim	2
3	13314005		送料架轴套	Nut	1
4	901003		送料架轴套	送料架轴套	1
5	13313006		送料架轴套	送料架轴套	1
6	13309004		送料架轴套	送料架轴套	1
7	13314002		送料架轴套	送料架轴套	1
8	13311030		送料架轴套	送料架轴套	



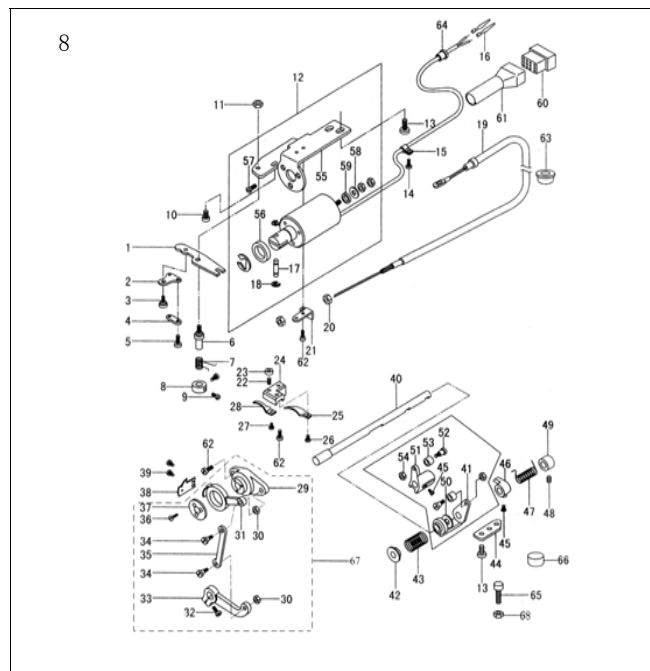
6. 钩件 Hook components

序号NO.	公司件号	Part NO.	名称PartName	零件描述Description	数量Number
1	13520002		弹簧	Spring shaft	1
2	13525001		上轴中齿轮	Gear asm.	1
3	101415007		螺钉	Screw	8
4	13525002		钩轴中齿轮(上)	Gear asm.	1
5	13525003		下轴中齿轮	Pinion asm.	1
6	13525004		钩轴中齿轮(下)	Gear asm.	1
7	13520004		弹簧轴套(上)	Bushing upper	1
8	13520004		弹簧轴套(下)	Spring shaft bushing over	1
9	13520005		弹簧轴套螺钉	Screw	1
10	13518001		钩轴零件	Hook asm	2
11	10818501		钩轴	Hook	1
12	13518003		钩轴零件	Hook asm	1
13	13502006		下轴	Hook driving shaft	1
14	11423003		下轴油封	Oil wick	1
15	13520007		下轴油封螺钉	Screw	1
16	13503008		下轴前轴套	Bushing front	1
17	13520008		油量调节螺钉	Oil adjusting screw	1
18	13527005		油量调节弹簧	Spring	1
19	06108002		下轴衬套	Thrust collar asm.	1
20	06151012		下轴轴套(左)	Bushing rear	2
21	13503009		下轴轴套螺钉	Screw	2
22	13520008		衬套	Pin	1
23	13527006		衬套弹簧	Pin spring	1
24	13512009		导板	Guide plate	1
25	13511019		档板螺钉	Screw	1
26	13511019		旋转定位螺钉	Rotating hook positioner	1
27	13512005		旋转定位螺钉	Screw	1
28	06151011		下轴中轴套	Bushing middle	1
29	13503010		钩轴凸轴螺钉垫片	Hook	2
30	13528003		钩轴螺钉弹簧垫圈	Washer	1
31	0623004		钩轴轴套	Hook	1
32	13521001		下轴轴套油封	Oil pipe for hook shaft bushing	1
33	11522001		下轴油封	Pin	1
34	13510003		切线凸轴	Thread trimmer cam	1
35	11851005		切线凸轴螺钉	Screw	2



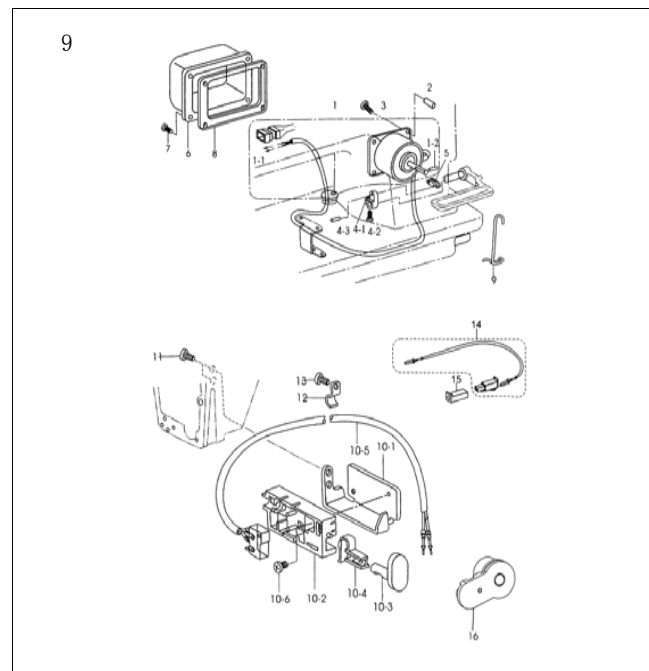
7. 润滑组件 Oil lubrication components

序号NO.	公司件号	Part NO.	名称PartName	零件描述Description	数量Number
1-1	13520020		油泵组件	Oil pump asm	1
1	13520001		油泵体	Oil pump	1
2	13520005		油泵大齿轮	Big gear for oil pump	1
3	13520006		油泵小齿轮	Small gear for oil pump	1
4	13511017		油泵调节螺钉	Screw	3
5	13512001		油泵盖	Cover for oil pump	1
6	13512002		油泵调节板	Adjusting plate for oil pump	1
7	13512003		油泵滤网组件	Filter complete	1
8	105511019		油泵体螺钉	Screw	3
9	13502014		油泵体轴	Shaft for oil pump	1
10	0620017		油泵体盖螺钉	Screw	2
11	13512004		油泵固定板零件	Oil pump set plate complete	1
12	101511010		油泵固定板螺钉	Screw	2
13	13510070		上轴油管组件	Oil pipe complete for upper shaft	1
14	0221001		回油管 3/8x4	Oil return pipe	1
15	13520003		回油管密封垫	Oil felt	1
16	13512025		回油管夹	Pipe return pipe clamp	1
17	201511014		回油管螺钉	Screw	1
18	13510010		下轴油管组件	Oil pipe for ara shaft	1
18-1	13521001		下轴油管	Oil pipe for shaft	1
18-2	13520001		下轴油管接头	Oil pipe	1
19	10423004		油花 2.5x20x2.5x20	Oil wick	0.1
20	13520001		橡胶堵头(Φ19)	Rubber plug(Φ19)	1
21	13520002		橡胶堵头(Φ11.8)	Rubber plug(Φ11.8)	4
22	13520003		橡胶堵头(Φ4.8)	Rubber plug Φ4.8	2
23	13520004		橡胶堵头(Φ27)	Rubber plug Φ27	1
24	13520005		橡胶堵头(Φ5.7)	Rubber plug Φ5.7	1
25	10110004		油窗	Oil sight window	1
26	13512002		后盖板	Side plate	1
27	13520008		橡胶塞(Φ25.5)	Rubber plug Φ25.5	1
28	13520006		后盖板密封垫片	Gasket	1
29	113511001		后盖板螺钉	Screw	8
30	10128003		后盖板螺钉垫片	Washer	8
31	13512008		小挡油板	Keep off plate	1
32	101511005		小挡油板螺钉	Screw	4
33	13520011		小挡油板垫	Gasket	1
34	10122019		密封垫圈	O-ring	1
35	13520018		后盖板密封垫	Rubber gasket	1
36	0620017		油泵体盖螺钉弹簧垫圈	Spring washer	1



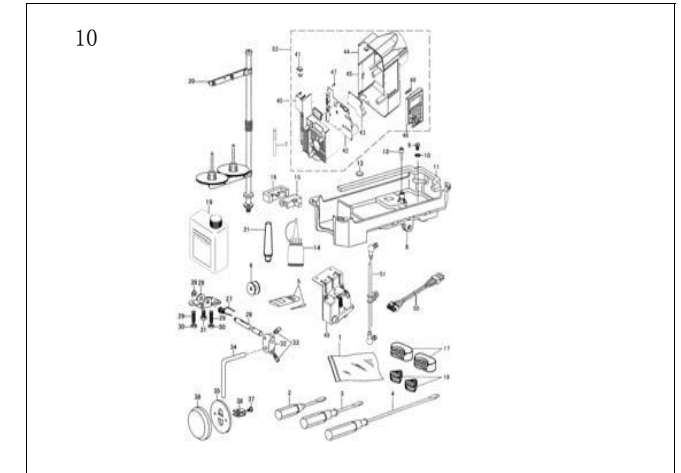
8. 切线装置部件 Thread trimmer components

序号NO.	公司件号	Part NO.	名称PartName	零件描述Description	数量Number
1	13512008		驱动板	Thread trimmer driving lever	1
2	13512007		轴头支撑板	Adapter	1
3	13502001		轴头支撑板螺钉	Screw	1
4	13512008		轴头板	Adapter	1
5	060512005		轴头板螺钉	Screw	2
6	13502007		轴头板轴	Shaft	1
7	13527004		轴头板弹簧	Spring	1
8	06108004		轴头板轴套	Thrust collar asm	1
9	101511005		轴头板轴套螺钉	Screw	2
10	101511020		轴头板轴套垫圈	Screw	1
11	11810005		轴头板轴套	Nut	1
12	13500010		轴头板轴套组件	Thread electromagnet drive assembly	1
13	101511020		轴头板轴套垫圈	Screw	4
14			轴头板轴套	Thrust collar	1
15			轴头板轴套	Thrust collar	1
16			轴头板轴套	Thrust collar	1
17	13520005		轴头板轴套	Thrust collar	1
18	060512		轴头板轴套	Thrust collar	1
19	13512020		轴头板轴套	Thrust collar	1
20	13510010		轴头板轴套	Thrust collar	1
21	13512009		轴头板轴套	Thrust collar	1
22	13510003		轴头板轴套	Thrust collar	1
23	13512009		轴头板轴套	Thrust collar	1
24	13510004		轴头板轴套	Thrust collar	1
25	13510003		轴头板轴套	Thrust collar	1
26	13512010		轴头板轴套	Thrust collar	1
27	13510005		轴头板轴套	Thrust collar	1
28	13510005		轴头板轴套	Thrust collar	1
29	02200002		轴头板轴套	Thrust collar	1
30	02200002		轴头板轴套	Thrust collar	1
31	13502009		轴头板轴套	Thrust collar	1
32	101511020		轴头板轴套	Thrust collar	1
33	13504001		轴头板轴套	Thrust collar	1
34	13502002		轴头板轴套	Thrust collar	1
35	13505001		轴头板轴套	Thrust collar	1
36	022117006		轴头板轴套	Thrust collar	1
37	13520004		轴头板轴套	Thrust collar	1
38	13510002		轴头板轴套	Thrust collar	1
39	135117003		轴头板轴套	Thrust collar	1
40	13502008		轴头板轴套	Thrust collar	1
41	13504002		轴头板轴套	Thrust collar	1
42	13504003		轴头板轴套	Thrust collar	1
43	13512011		轴头板轴套	Thrust collar	1
44	13510002		轴头板轴套	Thrust collar	1
45	13510001		轴头板轴套	Thrust collar	1
46	13510001		轴头板轴套	Thrust collar	1
47	13510001		轴头板轴套	Thrust collar	1
48	13510001		轴头板轴套	Thrust collar	1
49	13510001		轴头板轴套	Thrust collar	1
50	13510001		轴头板轴套	Thrust collar	1
51	13510001		轴头板轴套	Thrust collar	1
52	13510001		轴头板轴套	Thrust collar	1
53	13510001		轴头板轴套	Thrust collar	1
54	13517003		轴头板轴套	Thrust collar	1
55	13512012		轴头板轴套	Thrust collar	1
56	13505001		轴头板轴套	Thrust collar	1
57	13517004		轴头板轴套	Thrust collar	1
58	13520006		轴头板轴套	Thrust collar	1
59	13520007		轴头板轴套	Thrust collar	1
60			轴头板轴套	Thrust collar	1
61			轴头板轴套	Thrust collar	1
62	101511020		轴头板轴套	Thrust collar	1
63	13520011		轴头板轴套	Thrust collar	1
64	13520011		轴头板轴套	Thrust collar	1
65	13520011		轴头板轴套	Thrust collar	1
66	13520011		轴头板轴套	Thrust collar	1



9. 自动倒送料开关组件 Automatic reverse feed components

序号NO.	公司件号Part NO.	名称PartName	零件描述Description	数量Number	
1	13500050		倒送料电磁铁组件	Backtick electromagnet assembly	1
1-1	13500006		插头	Plug	2
1-2	13500007		倒送料电磁铁连杆	Backtick electromagnet link pin	1
2	13500011		衬套	Wash	4
3	13513005		衬套	Sleeve	4
4	13500000		倒送料电磁铁组件	Backtick electromagnet crank assembly	1
4-1	13500004		倒送料电磁铁轴套	Backtick electromagnet crank	1
4-2	13511002		轴套	Sleeve	1
4-3	13500006		倒送料电磁铁轴套	Link pin	1
5	13500002		倒送料电磁铁连杆	Backtick solenoid rod	1
6	13500012		倒送料电磁铁罩	Backtick solenoid cover	1
7	101511011		倒送料电磁铁螺钉	Screw	4
8	13520009		倒送料电磁铁垫圈	Washer	1
9	13527007		倒送料轴套	Spring hook	1
10	13500010		倒送料电磁铁开关组件	Switch assembly	1
10-1	13512013		倒送料电磁铁开关安装架	Switch mounting bracket	1
10-2	13513002		倒送料开关按钮	Switch button	1
10-3	13513003		倒送料开关按钮	Switch button	1
10-4	13511004		倒送料电磁铁开关零件	Switch contact member	1
10-5	13500002		倒送料开关零件	Switch assembly	1
10-6	13511014		倒送料开关按钮螺钉	Screw	1
11	10141004		开关安装架螺钉	Screw	1
12			塑料夹	Clamp	3
13	101511002		塑料夹螺钉	Screw	1
14			安全开关	Fuse switch	1
15			插头(2)	Plug	1
16	13500010		倒送料电磁铁轴套	Little bit of most electronic thread clamp device	1



10. 机头附件 Machine head accessories

序号NO.	公司件号	Part NO.	名称PartName	零件描述Description	数量Number
1	10131017		机头盖	Machine head cover	1
2	10131004		螺钉起子(小)	Screw driver (small)	1
3	10131003		螺钉起子(中)	Screw driver (middle)	1
4	10131002		螺钉起子(大)	Screw driver (large)	1
5	13517001		轴套	Washer	4
6	10101001		轴套	Washer	5
7	11212001		过线柱	Needle bar crank	1
8	15001007		油盘	Oil reservoir	1
9	135511041		洗油螺钉	Screw	1
10	001047		洗油螺钉垫圈	Washer	1
11	13520006		油盘垫	Gasket	1
12	13511006		膝压提升杆	Knee press lifter rod	1
13	10131001		磁块	Magnet	1
14	20131038		小油壶	Oil pot	1
15	10122000		机壳胶圈	Rubber coat	2
16	10110100		机壳胶圈	Ring	2
17	10122002		机壳前盖垫圈(大)	Gasket(front)	2
18	10122002		机壳前盖垫圈(小)	Gasket(front)	1
19	101101200		油盘	Oil tank	1
20	101310700		油盘组件	Spool stand complete	1
21	10111011		机壳支柱	Frame support bar	1
26	15000205		膝压轴套	Hinge pin	1
27	15027014		膝压轴套弹簧	Spring	1
28	13512006		膝压轴套	Knee lifter stop bracket	1
29	13551019		膝压轴套螺钉	Screw	2
30	1010209		调节螺母	Nut	2
31	135512003		膝压轴套螺钉	Screw	1
32	10101008		膝压轴套接头	Connector	1
33	101612003		膝压轴套接头螺钉	Screw	2
34	10122028		膝压轴套接头	Post rod	1
35	10110209		膝压轴套接头	Ball	1
36	10122020		膝压轴套	Ball bracket	1
37	101612004		膝压轴套螺钉	Screw	1
38	10122024		膝压轴套	Pat	1
39	065011		开口圈	Split stop ring	1
40			电炉散热器	Heat sink	1
41			电炉开关	Electric control switch	1
42			电路板	Circuit board	1
43			小电路板	A small circuit board	1
44			电机罩壳	The motor housings	1
45			侧盖	The side cover	1
46			操作面板	Operation panel	1
47			电炉连接螺钉	Electric connection screws	6
48			电炉连接螺钉	Electric connection screws	3
49			电炉控制线	Electric control cable	1
50			电源线	The power cord	1
51			脚踏开关	Pedal connecting rod	1
52	135201000		功能电炉	Function with electronic	1
53	135200400		电炉电炉	Machine electric control	1
54	11423001		电炉电炉	Machine electric control	1

杰士达股份有限公司  
 公司地址: 台州市椒江区机场南路十五号