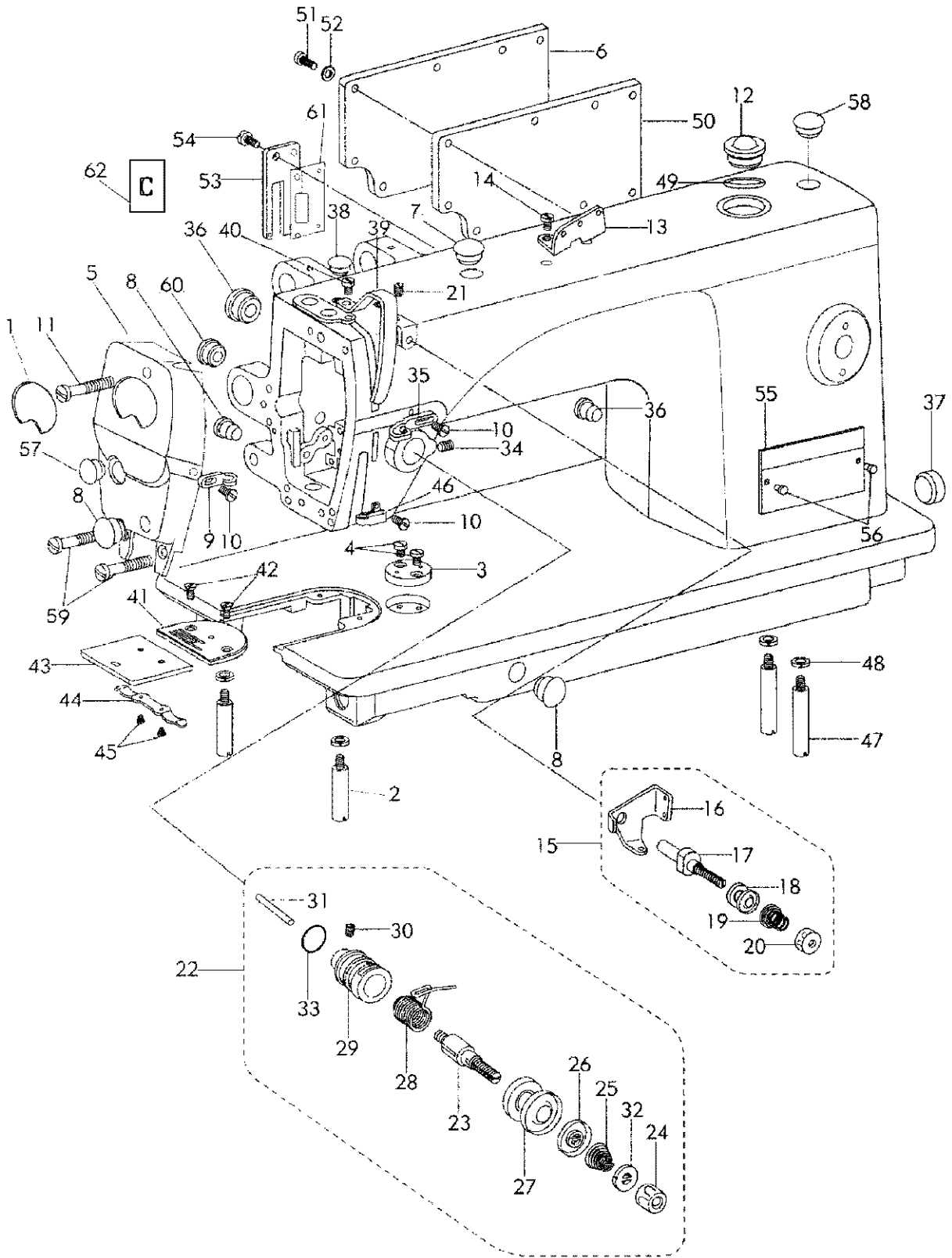


# 一、机壳部件 Machine Arm and Bed

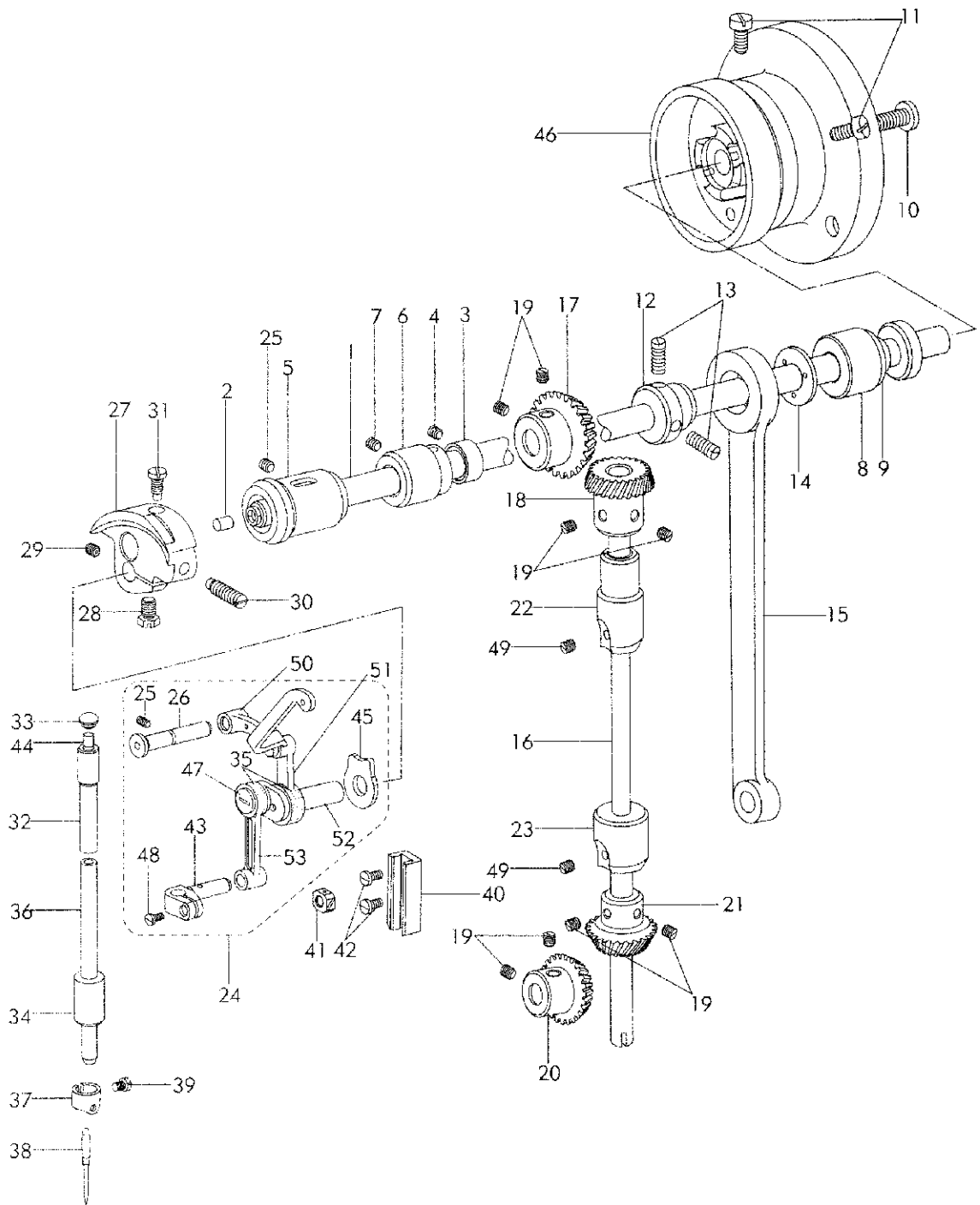


一、机壳部件 Machine Arm and Bed

序号 NO.	公司件号 Part NO.	参考件号 Ref. Part No.	名称	Description	数量 (Number)	备注
1	30337001		商标牌	Plate	1	
2	135S20010		底板撑杆(头部)	Bed screw stud(head)	2	
3	10112002		卷边器座	Ruler stop seat	1	
4	101S11002		螺钉	Screw	2	
5	301758		面板(喷漆)	Face plate arm	1	
6	301759		后窗板(喷漆)	Side plate	1	
7	13522001		橡皮塞(Φ19)	Rubber plug(Φ19)	1	
8	13522002	22T1-003C4	橡皮塞(Φ11.8)	Rubber plug(Φ11.8)	3	
9	13512003	22T1 003C5	线勾	Arm thread guide	1	
10	101S11005	111443003	螺钉	Screw	3	
11	201S11025	SK278	螺钉	Screw	1	
12	10111004		油窗	Oil sight window	1	
13	13512004	36T2-004	三孔线勾	Three hole thread guide	1	
14	201S11016		螺钉	Screw	1	
15	1351300100	36T2 006D	小火线组件	Thread tension asm, No.1	1	
16	13512005	36T2-006D1	小火线过线板	Thread tension guide	1	
17	135S30001	36T2-006D2	小火线螺钉	Thread tension post	1	
18	13513002	22T1 009E3	小火线板	Thread tension disk	2	
19	13527001	36T2-006D3	小火线弹簧	Thread tension spring	1	
20	101S16016		小火线螺母	Thread tension nut	1	
21	135S15001	20T1-004	螺钉	Screw	1	
22	1351300300	33T4 008C	夹线组件	Thread tension asm	1	
23	135S30002	22T1-012F1	夹线螺钉	Thread tension post	1	
24	101S16001		夹线螺母	Tension nut	1	
25	13527002	33T4 008C1	夹线弹簧	Tension spring	1	
26	13513004	22T1-012F4	松线板	Disk stopper	1	
27	13513005	22T1-012F5	夹线板	Thread tension disk	2	
28	13527003	22T1 012F6	挑线簧	Takeup spring	1	
29	13513006	22T1-012F7	夹线调节座	Thread tension post base	1	
30	101S15005	SS-8090670-SH	螺钉	Screw	1	
31	13513007	22T1-012F9	松线钉	Thread release pin	1	
32	13513008	22T1-012F10	夹线螺母止动板	Tension disc stopper	1	
33	001050	22T1 012F11	O型圈14.5x1.5	Ring14.5x1.5	1	
34	135S11001	22T1-013	螺钉	Screw	1	
35	13513009	22T1-014	线勾	Arm thread guide	1	
36	13522003	22T1 015	橡皮塞(Φ8.8)	Rubber plug Φ8.8	2	
37	13522004	22T1-016	橡皮塞(Φ27)	Rubber plug Φ27	1	
38	13522005	22T1-017	橡皮塞(Φ5.7)	Rubber plug Φ5.7	1	
39	301760	1KT1-003	挑线杆防护罩(喷漆)	Thread tade-up lever cover	1	
40	201S11016		螺钉	Screw	1	
41	13515001	33T4-012-A	针板	Throat plate	1	
42	101S17002		针板螺钉	Throat plate Screw	2	
43	13515002	7WF4 006	推板	Slide plate	1	
44	13512007	20T1 013F2	推板簧	Slide plate spring	1	
45	101S11019		螺钉	Screw	2	
46	13513010	7WF4-015	下勾线	Down arm thread guide	1	
47	135S20001		底板撑杆(尾部)	Bed screw stud(tail)	2	
48	W02004		弹簧垫圈 6	Spring washer	4	
49	10122019		油窗O型圈	Screw	1	
50	13522006		后窗板垫	Gasket	1	

51	113S11001		后盖板螺钉	Screw	8	
52	10128003	22T1-007	垫片4.5	Washer	8	
53	301761	7WF4-011	小挡油板（喷漆）	Keep off plate	1	
54	101S11005		螺钉	Screw	4	
55	13537001		型号牌	Model plate	1	
56	R03001		型号牌铆钉	Model plate rivet	2	
57	13522001	7WF4 030	橡皮塞（ $\phi 19$ ）	Rubber plug $\phi 19$	1	
58	13522008	13WF2-035	橡皮塞（ $\phi 25.5$ ）	Rubber plug $\phi 25.5$	1	
59	135S11047		面板螺钉	Screw	2	
60	40122016		橡皮塞（ $\phi 10.5$ ）	Rubber plug $\phi 10.5$	1	
61	13522011		小挡油板垫	Gasket	1	
62	13522018		大连杆橡胶垫	Rubber gasket	1	

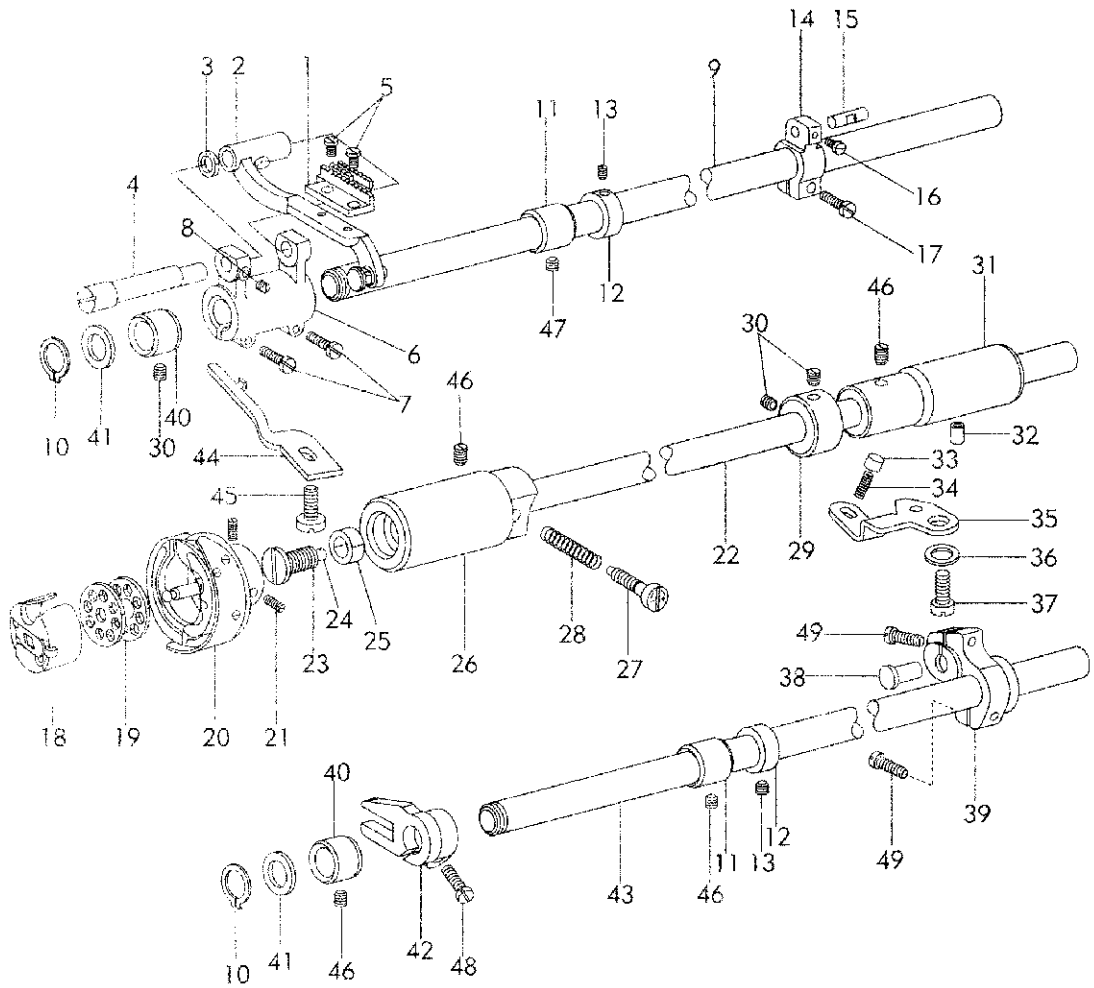
## 二、上轴、竖轴、针杆部件 Arm shaft and Vertical shaft Needle bar Thread Take-up



二、上轴、竖轴、针杆部件 Arm shaft and Vertical shaft Needle bar Thread Take-up

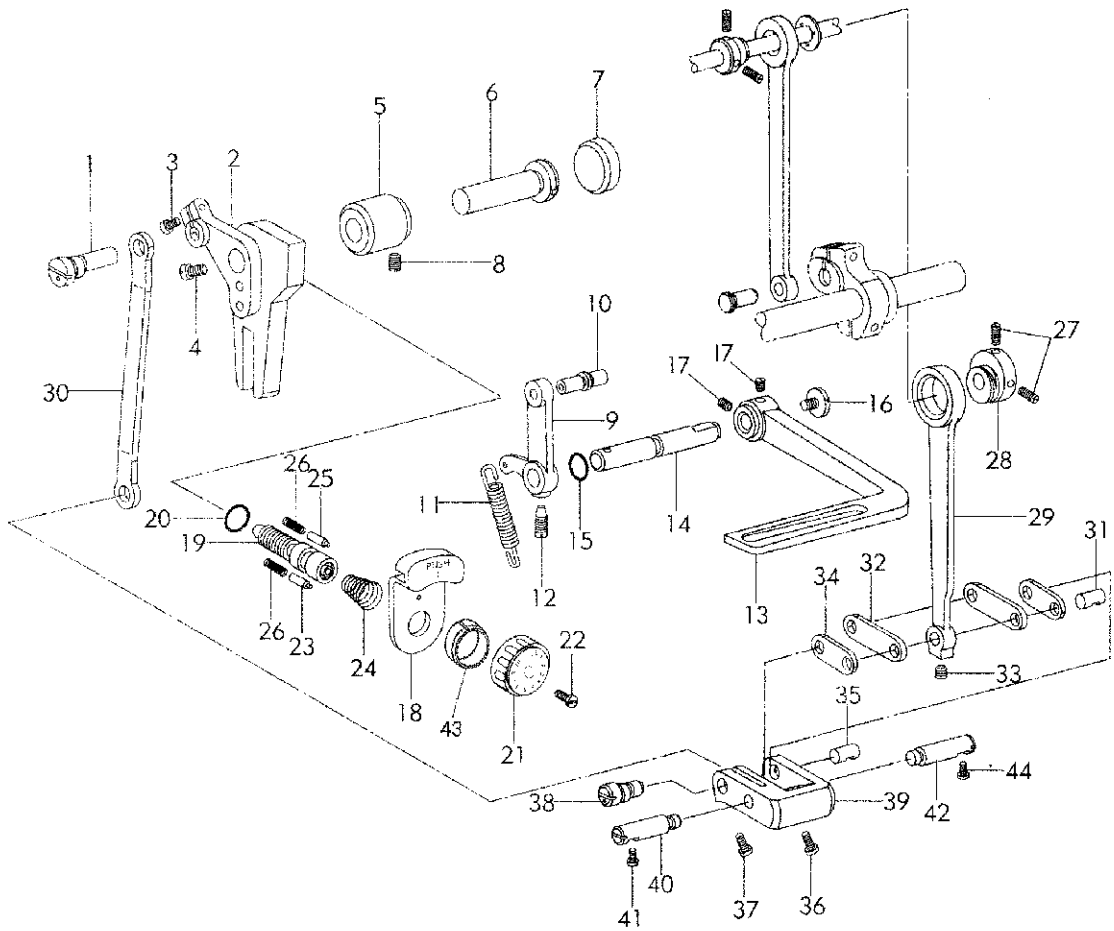
序号 NO.	公司件号 Part NO.	参考件号 Ref. Part No.	名称	Description	数量 (Num ber)	备注
1	13502001	70WF1-001	上轴	Main shaft	1	
2	10122012	22T3-001A2	上轴橡皮塞	Rubber plug	1	
3	13508001	22T3 002B1	上轴紧圈	Thrust collar asm.	1	
4	135S15004	22T3-002B2	螺钉	Screw	2	
5	13503001	4WF1-006	上轴前轴套	Main shaft bushing, front	1	
6	13503002	4WF1 002	上轴中轴套	Brshing, intermediate	1	
7	135S15006	J0. 0. 40	螺钉	Screw	1	
8	13503003	22T3-005	上轴后轴套	Main shaft bushing, rear	1	
9	13522010	22T3 006F	上轴后轴套油封	Main shaft	1	
10	135S11013	22T3-008	螺钉	Screw	1	
11	101S15001	22T3-007C2	主动轮螺钉	Screw	2	
12	13510001	36T3 003D1	拾牙凸轮		1	
13	135S15007	36T3-003D2	拾牙凸轮螺钉	Screw	3	
14	13528002	36T3-004	凸轮隔离片	Thrust collar	1	
15	13505001	22T3 009D1C	拾牙连杆	Connecting rod	1	
16	13502002	15WF1-001	竖轴	Upring shaft	1	
17	13525001	Z0A140379	上轴伞齿轮	Gear asm.	1	
18	13525002	Z0A140380	竖轴伞齿轮 (上)	Gear asm.	1	
19	101S15007		螺钉	Screw	8	
20	13525003	Z0A140383	下轴伞齿轮	Pinion asm.	1	
21	13525004		竖轴伞齿轮 (下)	Gear asm.	1	
22	13503004	2KT1 015	竖轴轴套 (上)	Bushing, upper	1	
23	13503005	33T1-023P	竖轴轴套 (下)	Upring shaft bushing, ower	1	
24	1353800100		针杆连杆挑线杆大组	Thread take up asm	1	
25	135S15009	J0. 0. 5	螺钉	Screw	2	
26	13502003	33T1-002	挑线连杆铰链销	Thread take-up crank shaft	1	
27	13504001	4WF1 007A	针杆曲柄	Counterweight	1	
28	135S12001	33T1-006C3	挑线曲柄螺钉	Screw	1	
29	101S15007		挑线曲柄定位螺钉	Screw	1	
30	101S15004	SS 8681650-TF	针杆曲柄螺钉	Screw	1	
31	101S11003	SS-7681650-TF	针杆曲柄定位螺钉	Screw	1	
32	13503006	22T2-008	针杆上衬套	Needle bar metal, upper	1	
33	10122013	22T2 011	针杆上衬套橡皮塞 (	Cap	1	
34	13503007	34T1-001	针杆下衬套	Needle bar metal, lower	1	
35	10124001	19242/8	滚针轴承	Bearing	2	
36	13502004	33T1 017	针杆	Needle bar	1	
37	13513011	22T2-015	针杆过线环	Needle bar thread guide	1	
38	13517001		机针	Needle	1	
39	101S11006	SS-7080510-TF	螺钉	Screw	1	
40	13509001	33T1 012	针杆接头滑块导轨	Needle bar trough	1	
41	10109001	33T1-013	针杆接头滑块	Slide block	1	
42	101S11008		螺钉	Screw	2	
43	13505002		针杆接头	Needle bar connection asm.	1	
44	13523001	22T2-010	毛毡	Oil felt for needle bar	2	
45	13528003	33T1-005	垫片	Washer plate	1	
46	301764	7WF1 001	主动轮 (喷漆)	Hand wheel	1	
47	101S17001	22T2-001A6	挑线曲柄螺钉 (左旋)	Screw(left twist)	1	
48	101S11005	''	螺钉	Screw	1	
49	135S15008	61 04 01/B308	螺钉	Screw	2	
50	13538002	33T1-003A	挑线连杆	Thread take-up lever crand rod	1	

### 三、抬牙、送布、勾线部件 Feed Dog Lift And Feed And Thread Looping



三、拾牙、送布、勾线部件 Feed Dog Lift And Feed And Thread Looping						
序号 NO.	公司件号 Part NO.	参考件号 Ref. Part No.	名称	Description	数量 (Number)	备注
1	13514001	20T3-008	送布牙	Feed dog	1	
2	1350700300	36T4-001A1a1	牙架小组件	Feed bar asm	1	属于1350700200
3	13528004	51T5 001A6	垫圈	Washer	1	
4	13502005	36T4-001A2	牙架销	Feed bar shaft	1	
5	101S11018	J0. 0. 50	螺钉	Screw	2	
6	13504003	4WF2 002	牙架座	Feed rocker asm.	1	
7	101S11016	61-04-01/B504	曲柄螺钉	Screw	2	
8	101S11008		螺钉	Screw	1	
9	13502006	7WF2 004	送布轴	Feed rocker shaft	1	
10	1003001		轴用弹性挡圈15	Retaining ring	2	
11	13503008	7WF2-003	拾牙、送布轴中轴套	Thrust collar asm.	2	
12	13508001	22T3 002B1	挡圈		2	
13	135S15004	22T3-002B2	螺钉	Screw	4	
14	13504004	4WF2-006	送布曲柄(右)	Feed rocker shaft crank asm	1	
15	13526001	82T2 003C1a10	送布曲柄短销	Walking foot pin	1	
16	101S11025		螺钉	Screw	1	
17	105S11019	SS-4120915-TP	螺钉	Screw	1	
18	10818502		梭壳	Hook asm	1	
19	10818501		梭芯	Bobbin	1	
20	10818001		旋梭	Hook asm	1	
21	135S15020		旋梭螺钉	Screw	3	
22	13502007	36T4-008D1	下轴	Hook driving shaft	1	
23	135S20007	22T4-001A1a1	下轴滤油螺钉	Screw	1	
24	11423003	22T4 001A1a2	下轴滤油塞	Oil wick	1	
25	10122015		下轴油封	Oil seal	1	
26	13503009	4WF1-005	下轴前轴套	Bushing, front	1	
27	135S20008	22T4 005	油量调节螺钉	Oil adjusting screw	1	
28	13527005	22T4-006	油量调节弹簧	Spring	1	
29	10108002	22T4-002B1	下轴挡圈	Thrust collar asm.	1	
30	101S11012		螺钉	Screw	3	
31	13503010	4WF1-004	下轴后轴套	Bushing, rear	1	
32	13521001	22T4-007C2	下轴轴套油管	Oil pipe for hook shaft bushing	1	
33	13502008	36T4-015	柱塞	Plunger	1	
34	13527006	36T4 016	柱塞弹簧	Plunger spring	1	
35	13512009	22T4-010	档板	Guide plate	1	
36	W02004		档板螺钉弹簧垫圈6	Washer	1	
37	135S11019	22T9 006	档板螺钉	Screw	1	
38	13502009	22T6-007	拾牙曲柄铰链轴	Hinge pin	1	
39	13504005	68WF3-011	拾牙右曲柄	Feed lifting rock shaft crank(right)	1	
40	13503011	7WF2-002	拾牙、送牙轴前轴套	Bushing for feed rock shaft(right)	2	
41	13528006	51T5 013	拾牙轴前轴套垫圈	Washer	2	
42	13505004	36T4-018H1D1	拾牙叉	Feed forked connection	1	属于1350700200
43	13502010	7WF2-001	拾牙轴	Feed lifting rock shaft	1	
44	13512010	33T1 029	旋梭定位勾	Rotating hook positioner	1	
45	101S11011	22T4-015	旋梭定位勾螺钉	Screw	1	
46	135S15009	J0. 0. 5	拾牙、下轴轴套螺钉	Screw	4	
47	135S15006	J0. 0. 40	送布轴套螺钉	Screw	1	
48	101S11020	SS-4120915-TP	拾牙叉夹紧螺钉	Screw	1	
49	201S11027		拾牙右曲柄螺钉	Screw	2	

#### 四、送布调节部件 Feed Mechanism

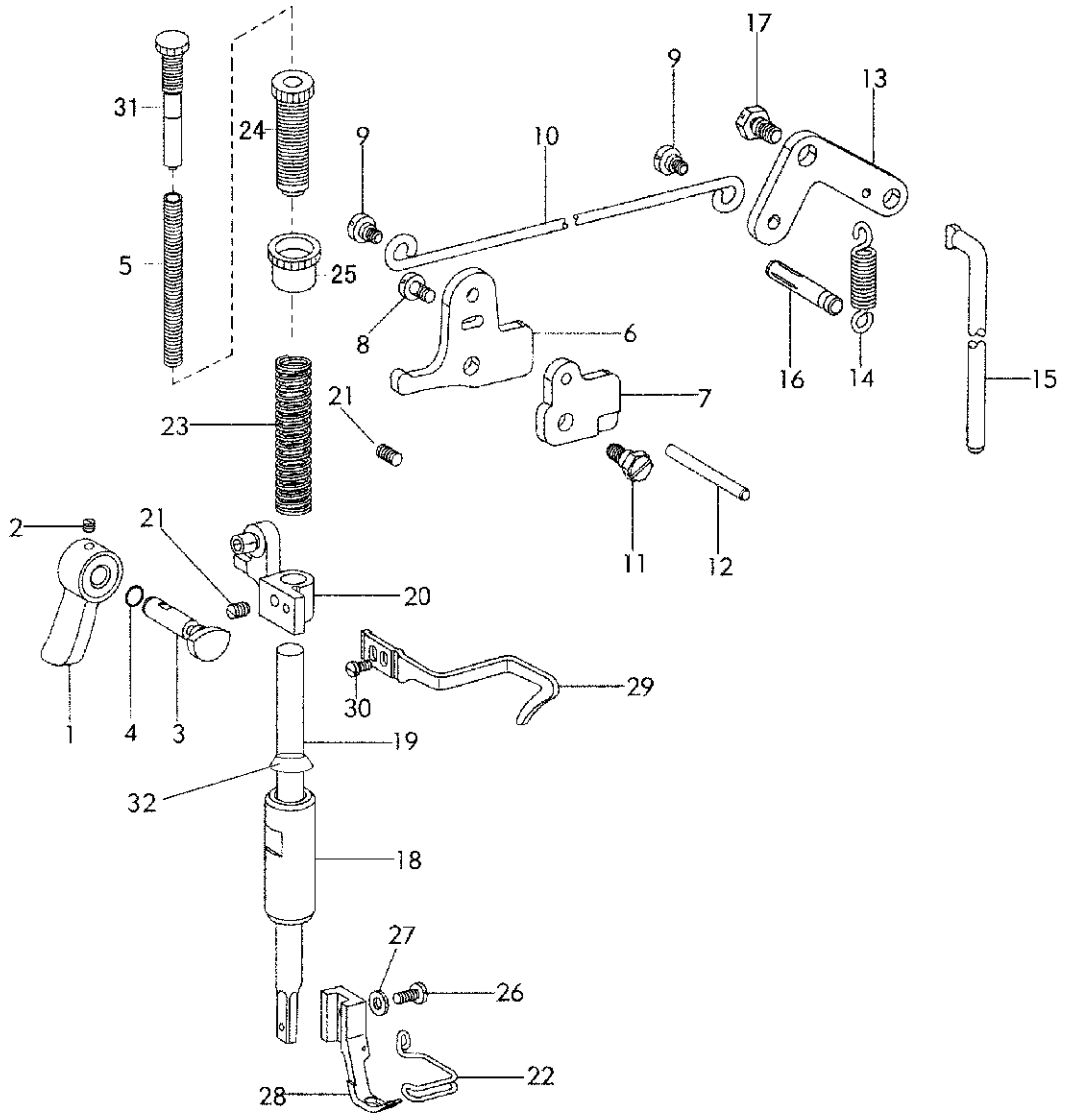




四、送布调节部件 Feed Mechanism

序号 NO.	公司件号 Part NO.	参考件号 Ref. Part No.	名称	Description	数量 (Number)	备注
1	13510002	4WF2-012	针距调节连接销钉	Hinge pin	1	
2	13509003	7WF2-012	针距座	Feed regulator	1	
3	101S11020		针距座长螺钉	Screw	1	
4	135S11009	22T5-010D4	针距座短螺钉	Screw	1	
5	13503012	5WF1-003	针距座衬套	Feed regulator bushing	1	
6	13502011	22T5 004	针距座轴	Hinge pin for feed regulator	1	
7	13522014	36T5-003	橡皮塞 (Φ19.5)	Rubber plug(Φ19.5)	1	
8	135S15009	J0.0.5	针距座衬套紧固螺钉	Screw	1	
9	13504006	7WF2 009	倒缝操作杆曲柄	Slide block pin	1	属于1350401400
10	13502012		操作杆曲柄滚柱	Slide block	1	属于1350401400
11	13527007	1KT3-002	操作杆曲柄弹簧	Spring for feed crank	1	
12	135S15014	22T5 013	操作杆曲柄螺钉	Screw	1	
13	301763	4WF2-007A	倒缝操作杆(喷漆)	Reverse feed lever	1	
14	13502013	7WF2-010	倒缝操作杆短轴	Reverse feed lever shaft	1	
15	001045	6.3x1.8黑色	O型圈6.3x1.8	O ring	1	
16	135S11022	22T5-010D3	倒缝操作吊紧螺钉	Screw	1	
17	135S11009	22T5-010D4	扳手螺钉	Screw	2	
18	13512011	7WF2 005	针距按键	Feed regulator key press	1	
19	135S30003	36T5-007D1	针距调节螺杆	Feed regulator screw bar	1	
20	001046	33T2-030-A	O型圈9.5x2.5	O-ring	1	
21	13511002		针距标盘	Dial	1	
22	101S11022		针距标盘螺钉	Dial screw	1	
23	13526004	7WF2-006	针距盘挡销	Dial stopper pin	1	
24	13527009	36T5-011	针距按键簧	Dial spring for stopper pin	1	
25	13526002	36T5 012	止动销	Stopper pin	1	
26	13527008	22T5-009	止动销弹簧	Spring for stopper pin	2	
27	135S15007	36T3-003D2	送布凸轮螺钉	Screw	3	
28	13510003	36T5 008E1	送布凸轮	Feed drive eccentric cam.	1	
29	13505005	4WF2-009A	送布连杆	Rocker shaft connecting rod	1	
30	13505006	4WF2-009B	针距调节连杆	Feed regulator connecting rod	1	
31	13502014	82T2 003C1a10	曲柄连杆长销	Walking foot link	1	
32	13505007	36T5-008E4H02	曲柄长连杆	Walking foot pin	2	
33	101S11025		送布连杆螺钉	Screw	1	
34	13505008	36T5-008E4H01	曲柄短连杆	connecting link	2	
35	13526003	36T5-008E6	曲柄连杆短销	Walking foot link	1	
36	201S11012	SK241	短连杆销螺钉	Screw	1	
37	201S11007	SK229	连杆偏心轴螺钉	Screw	1	
38	13502015	36T5-008E9	连杆偏心轴	Hinge pin	1	
39	13504007	36T5-008E10	针距调节曲柄	Walking foot adjusting link	1	
40	13502016	5WF1 002	针距调节曲柄定位销	Adjusting link fulcrum shaft	1	
41	105S11019		左右定位销螺钉	Screw	1	
42	13502017	5WF1-001	针距调节曲柄定位销	Adjusting link fulcrum shaft	1	
43	13522007		橡胶塞	Rubber plug	1	
44	114s11004		左右定位销螺钉	Screw	1	

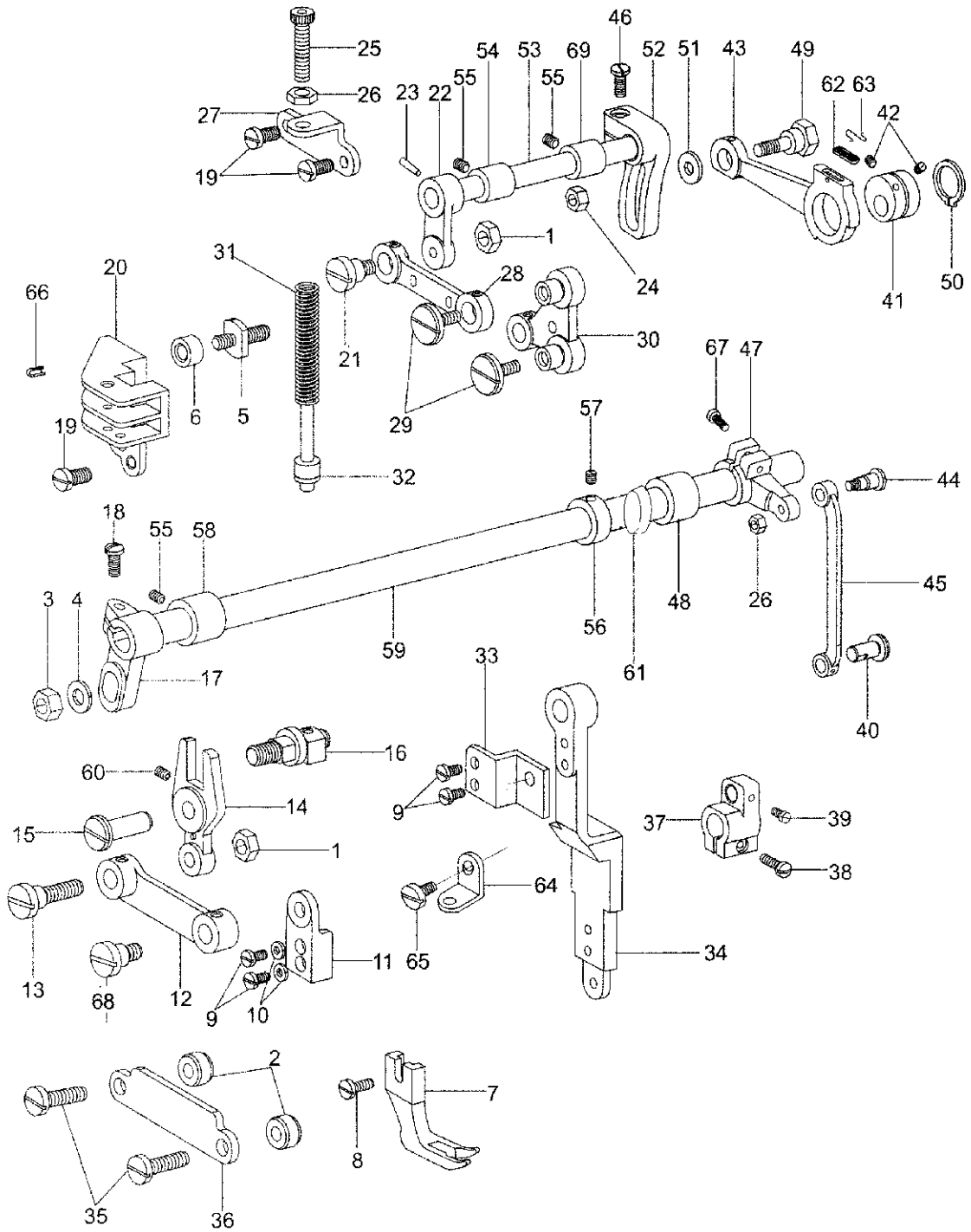
## 五、压脚部件 Presser Foot



五、压脚部件 Presser Foot

序号 NO.	公司件号 Part NO.	参考件号 Ref. Part No.	名称	Description	数量 (Number)	备注
1	13511005	33T3-003	压脚扳手	Presser bar lifter	1	
2	135S15017	22T1-011	压脚扳手螺钉	Set screw	1	
3	13510004	1KT4 005	压紧杆提升凸轮	Presser bar lifting cam	1	
4	001009		O型圈4.5X1.8	O-ring	1	
5	13527012	233WF6-005	辅助调压弹簧	Presser spring	1	
6	13512013	22T7 004B1a	膝腔提升杠杆(左)	Knee lifter lever (left)	1	属于1351201200
7	13510005	22T7-004B1b	松线凸轮	Tension releasing cam	1	属于1351201200
8	135S11026	22T7-004B1c	膝腔提升杠杆(左)	Knee lifter lever (left) screw	1	属于1351201200
9	135S11027	22T7 004B2	铰链螺钉	Hinged screw	2	属于1351201200
10	13512014		膝腔提升拉杆	Knee lifter rod	1	属于1351201200
11	135S11028	22T7-005A	松线凸轮螺钉	Screw	1	
12	13502018	35T3 305	松线杆	Tension releasing pin	1	
13	13512015	22T7-007C1	膝腔提升杠杆(右)	Knee lifter lever (right)	1	
14	13527010	22T7-007C2	膝腔提升杠杆(右)	Presser spring	1	
15	13512016	4WF3 001	膝腔提升杠杆	Knee lifter connecting rod	1	
16	13526005	22T7-008	弹簧销	Pin for spring	1	
17	135S12002	22T7-005B	膝腔提升杠杆(右)	Knee lifter lever (right) screw	1	
18	13503013	34T3 305	压紧杆轴套	Presser bar bushing	1	
19	13502019	241WF5-001	压紧杆	Presser bar	1	
20	13505009	7WF3-001	压紧杆导架	Presser bar lifting bracket	1	
21	135S15003	22T1-013	压紧杆导架螺钉	Set screw	2	
22	13512017	7WF3 004	防护勾	Defend tick off	1	
23	13527011	20T4-002	压紧杆弹簧	Presser spring	1	
24	135S30004	233WF6-002	调压螺钉	Lock nut	1	
25	135S16003	233WF6 003	调压螺钉锁紧螺母	Set screw	1	
26	101S11009	22T7-015	压脚螺钉	Screw	1	
27	13528007		垫圈	Washer	1	
28	13516001	7WF3 003	小压脚	Presser loot complete	1	
29	13513012	7WF3-002	大线勾	Upper thread guide	1	
30	101S11002		大线勾螺钉	Screw	1	
31	135S30005	233WF6 004	辅助调压螺钉	Auxiliary lock nut	1	
32	10122034		压杆防油套		1	

## 六、上送料部件 Upper feed Parts

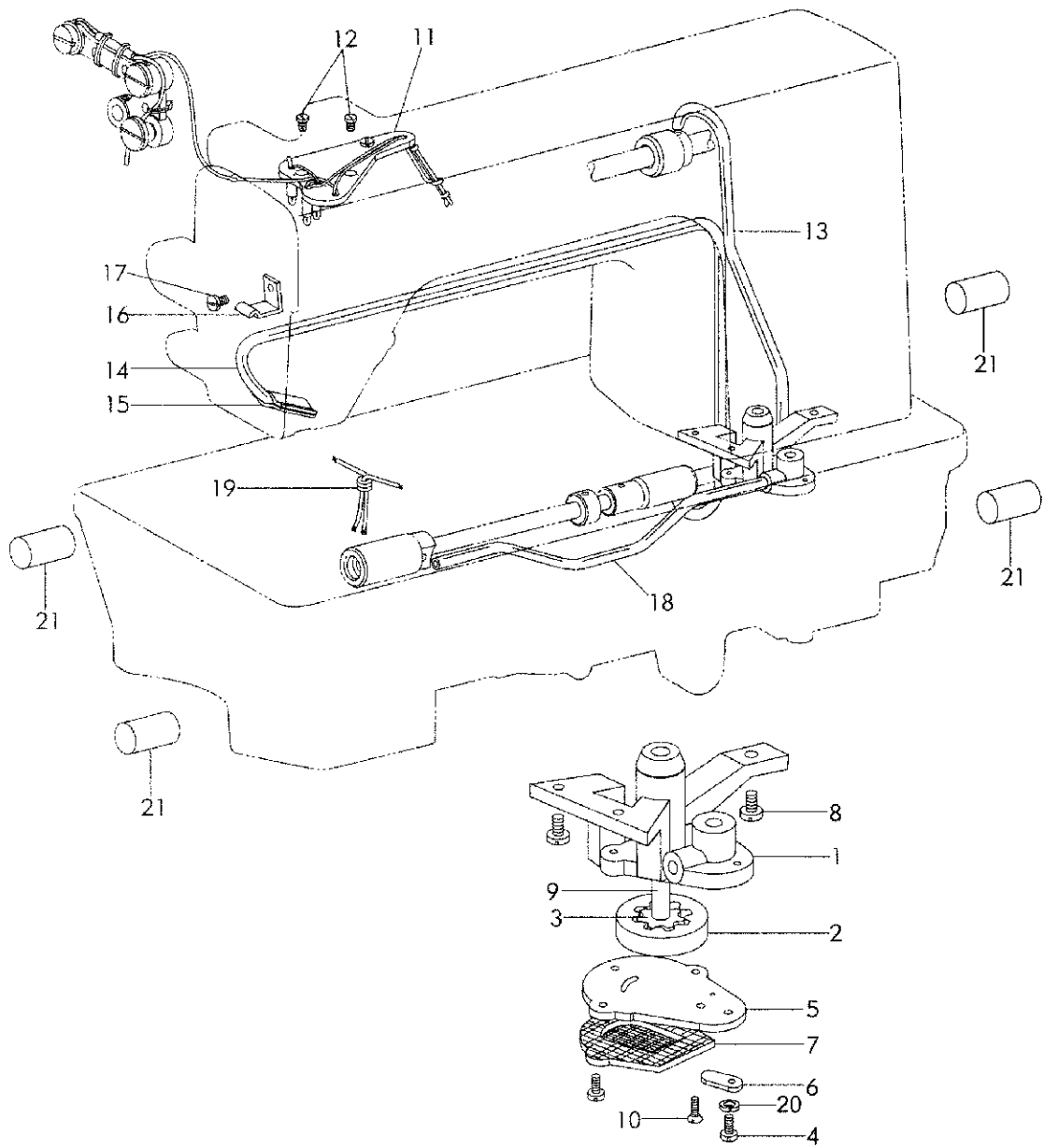


## 六、上送料部件 Upper feed Parts

序号 NO.	公司件号 Part NO.	参考件号 Ref. Part No.	名称	Description	数量 (Num ber)	备注
1	135S16004	7WF5-001	压脚送料变动连接螺	Nut	2	
2	13508003	7WF5-002	压脚连杆压板垫块	Shim	2	
3	135S16005	7WF5 003	压脚曲柄连接螺母	Nut	1	
4	W01003		压脚曲柄连接垫圈6	Washer	1	
5	135S30006	7WF5-004	送料曲柄导柱轴	Guide shaft	1	
6	13508004	7WF5 005	提升压脚导柱轴滚柱	Needle of bearing	1	
7	13516002	7WF5-006	摆压脚	Walking foot	1	
8	135S11030	61-04-01/B316	压脚螺钉	Screw	1	
9	301S11007		摆动连杆座螺钉	Screw	4	
10	W02002		摆动连杆座螺钉弹簧	Washer	2	
11	13501004	7WF5-009	摆压脚杆座	Holder for walking foot bar	1	
12	13505010	7WF5 010	摆压脚连杆	Link of walking foot	1	
13	135S20009	7WF5-011	压脚送料变动连接螺	Screw	1	
14	13505011	7WF5-012	摆压脚叉形杆	Fork lever	1	
15	13526006	7WF5 013	摆压脚叉形杆销	Pin	1	
16	1350202000	7WF5-014A	压脚送料变动曲柄轴	Crank shaft complete	1	
17	13504008	233WF5-023	压脚摆动前曲柄	Presser swing shaft	1	
18	135S11032	1WF4 032	前曲柄螺钉	Screw	1	
19	101S11008		提升压脚导位板螺钉	Screw	4	
20	13509004	7WF5-018	提升压脚导位板	Lifting presser plate	1	
21	135S20003	7WF5 019	压脚送料曲柄连杆螺	Screw	1	
22	13504009	7WF5-020	压脚升降前曲柄	Presser lifting crank	1	属于1350401500
23	P02009		圆锥销4X20	Pin	1	属于1350401500
24	N02001	7WF5 050	六角螺母M6X0.75	Nut	1	
25	135S30007	7WF5-021	摆压脚调压螺钉	Lifting presser adjusting screw	1	
26	135S16006	7WF5-022	摆压脚调压螺母	Lifting presser adjusting nut	2	
27	13512018	7WF5 023	摆压脚调压螺钉架	Lifting presser bracket for spring	1	
28	13505012	7WF5-024	压脚送料曲柄连杆	Presser feed crank link	1	
29	135S11034	7WF5-025	压脚送料曲柄螺钉	Screw	2	
30	13504010	7WF5 026	压脚送料曲柄	Presser feed crank	1	
31	13527013	81WF6-003	摆压脚调压杆弹簧	Lifting presser spring	1	
32	1350202100	81WF6-004	调压杆弹簧导柱	Presser spring guide	1	
33	13501005	241WF3 001	提升压脚导柱定位板	Lifting presser guide plate	1	
34	13501006	7WF5-030	摆压脚杆	Presser rod guide	1	
35	116s11005	SS-4120915-TP	提升压脚连接压板螺	Screw	2	
36	13512019	7WF5 031	提升压脚连接压板	Lifting presser sway crank guide pin	1	
37	13504011	5WF4-002	送布轴曲柄(中)	Feed rocker shaft crank asm	1	
38	101S11016	61-04-01/B504	送布轴曲柄(中)螺	Screw	1	
39	101S11025		大连杆曲柄连接销钉	Screw	1	
40	135S20004	5WF4 001	大连杆曲柄连接销	Screw	1	
41	13510006	7WF5-032	压脚升降偏心轮	Eccentric wheel	1	属于1350501700
42	101S15007		螺钉	Screw	2	
43	13505013	7WF5 034	连杆	Eccentric wheel rod	1	属于1350501700
44	135S20005	7WF5-037	压脚摆动后曲柄连杆	Screw	1	
45	13505014	7WF5-038	摆压脚大连杆	Presser swing crank(right)rod	1	
46	135S11035	7WF5 039	偏心连杆调节曲柄螺	Screw	1	
47	13504012	241WF3-003	压脚摆动后曲柄	Presser swing crank(right)	1	
48	13503014	241WF3-005	压脚摆动轴中轴套	Presser swing shaft bushing (right)	1	
49	135S20006	7WF5 042	偏心轮连杆螺钉	Screw	1	属于1350501700
50	1103012		轴用C型挡圈25	C-type stop ring	1	属于1350501700

51	13528008	7WF5 049	垫圈	Washer	1	
52	13504013	7WF5-043	偏心连杆调节曲柄	Presser lifting shaft	1	
53	13502022	7WF5-044	压脚升降轴	Shaft	1	属于1350401500
54	13503015	7WF5 045	摆压脚提升轴套	Presser lifting shaft bushing	1	
55	135S15008	61-04-01/B308	竖轴轴套螺钉	Screw	3	
56	13508001	22T3-002B1	紧圈	Thrust collar asm.	1	
57	135S15004	22T3 002B2	紧圈螺钉	Screw	2	
58	13508006	1KT2-004	压脚摆动轴前轴套	Presser swing shaft bushing (left)	1	
59	13502023	241WF3-004	压脚摆动轴	Presser swing shaft	1	
60	135S15018	7WF5 048	摆压脚叉形杆销螺钉	Screw	1	
61	1142200800		摆动轴后套油封	Oil seal	1	
62	13523002	7WF5-035	偏心轮连杆油毡	Oil felt for needle bar	1	属于1350501700
63	13527015	1WF5 024	偏心轮连杆油毡压簧	Spring	1	属于1350501700
64	13512020	241WF3-002	提升压脚导柱架	Lifting presser guide plate	1	
65	135S11036	241WF3-006	导柱架螺钉	Screw	1	
66	P03035		弹性网柱销3X8	Spring plug	2	
67	135S13002	16WF3-031	后曲柄螺钉	Screw	1	
68	135S20011		压脚送料连杆螺钉	Screw	1	
69	13503016		摆压脚提升后轴套	Presser lifting shaft bushing	1	

## 七、油泵部件 Oil pump and Lubrication mechanism

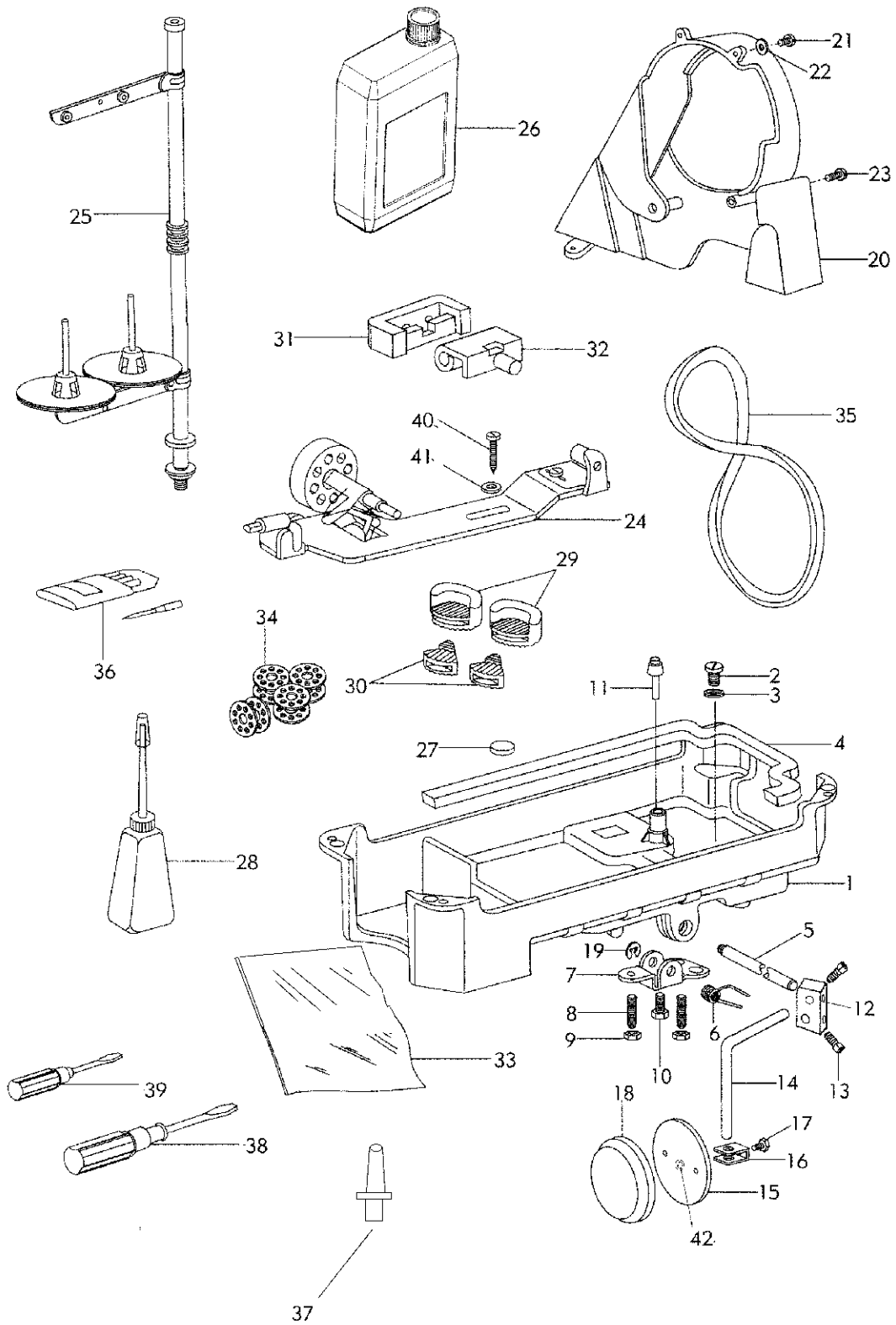


七、油泵部件 Oil pump and Lubrication mechanism

序号 NO.	公司件号 Part NO.	参考件号 Ref. Part No.	名称	Description	数量 (Number)	备注
1	13520001	15WF4-003	油泵体	Oil pump	1	
2	13525005	15WF4-006	油泵大齿轮	Big gear for oil pump	1	
3	13525006	15WF4 007	油泵小齿轮	Small gear for oil pump	1	
4	135S11037		油泵调节板螺钉	Screw	3	
5	13512021	15WF4-004	油泵体盖板	Cover for oil pump	1	
6	13512022	22T8 007	油泵调节板	Adjusting plate for oil pump	1	
7	1351202300	22T8-008A	油泵滤网组件	Filter complete	1	
8	105S11019	22T8-009	油泵体螺钉	Screw	3	
9	13502024	15WF4 005	油泵体短轴	Shaft for oil pump	1	
10	S02024		油泵体盖板螺钉	Screw	2	
11	1351202400	7WF4-016	油线固定板大组件	Oil wick set plate complete	1	
12	101S11010		油线固定板螺钉	Screw	2	
13	1352100700	22T8-013D	上轴油管组件	Oil pipe complete for upper shaft	1	
14	42221001		回油管	Oil return pipe	1	
15	13523003	22T8 015	回油管滤油毡	Oil felt	1	
16	13512025	22T8-016	回油管夹	Pipe return pipe clamp	1	
17	201S11014	SK250	回油管夹螺钉	Screw	1	
18	1352100800	4WF4 005	下轴油管组件	Oil pipe for arm shaft	1	
19	10423004		油线	Oil wick	1	
20	W02002		弹簧垫圈	Spring washer	1	
21	13523005	7WF2-013	羊毛块	Oil felt	4	



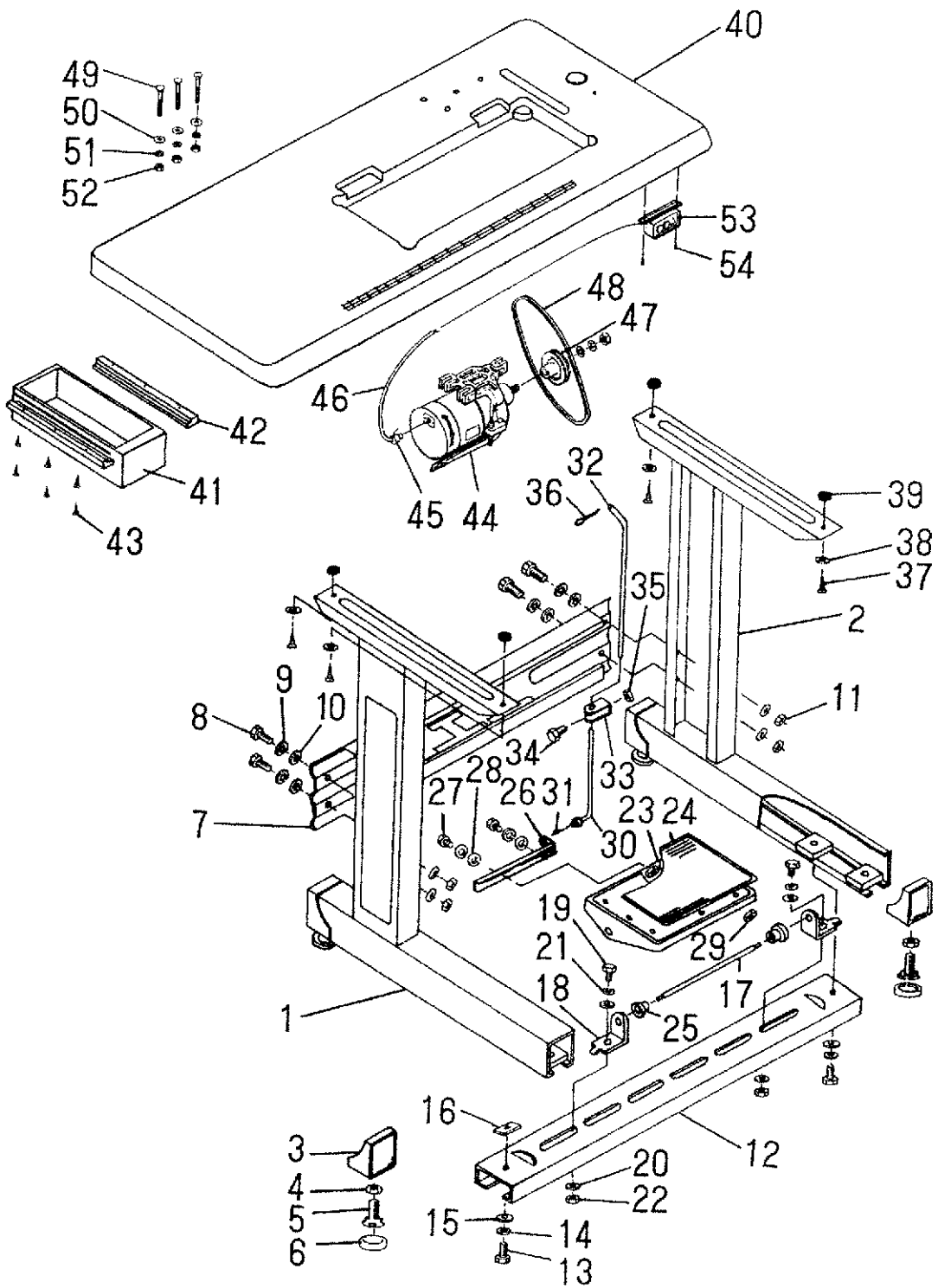
# 八、附件 Oil Reservoir Accessories



## 八、附件 Oil Reservoir Accessories

序号 NO.	公司件号 Part NO.	参考件号 Ref. Part No.	名称	Description	数量 (Number)	备注
1	13501007	4WF5-001	油盘	Oil reservoir	1	
2	135S11041		放油螺钉	Screw	1	
3	001047		放油螺钉垫圈	Washer	1	
4	13523006	2KT9-008	油盘垫	Gasket	1	
5	13502025	22T9-001A6	膝控铰链轴	Hinge pin	1	
6	13527014	22T9-001A7	膝控复位弹簧	Spring	1	
7	13512026	22T9-001A8	膝控限位架	Knee lifter stop bracket	1	
8	135S15019	22T9-001A9	膝控限位调节螺钉	Screw	2	
9	N01029	22T9-001A10	调节螺母	Nut	2	
10	135S12003	22T9-036	膝控限位架螺钉	Screw	1	
11	13511006		膝控提升顶杆	Knee lifter prop bar	1	
12	10101008		碰块弯杆接头	Connector	1	
13	101s12003		碰块弯杆接头螺钉	Screw	2	
14	10112028		操纵杆	Bent rod	1	
15	10112029		操纵板	Bell	1	
16	10112030		操纵杆接头	Bell bracket	1	
17	101s12004		螺钉	Screw	1	
18	10122024		碰块垫	Pat	1	
19	H05011		开口挡圈	Split stop ring	1	
20	1351100700		皮带罩组件	Belt guard complete	1	
21	S01002		皮带罩螺钉(小)	Screw(small)	6	
22	W01006		皮带罩螺钉垫圈	Washer	2	
23	S01011		皮带罩螺钉(大)	Screw(big)	2	
24	1163101600		绕线器组件	Thread winder complete	1	
25	1013100700		线架组件	Spool stand complete	1	
26	1011101200		油箱	Oil tank	1	
27	10131001		磁块	Magnet	1	
28	20131038		小油壶	Oil pot	1	
29	10122023		机头防震垫块(大)	Cushion(big)	2	
30	10122022		机头防震垫块(小)	Cushion(small)	2	
31	10122060		机壳铰链	Rubber coat	2	
32	1011203100		机壳铰链套	Hing	2	
33	40131017		防尘罩	Machine head cover	1	
34	10818501	33T1-027	梭芯	Bobbin	1	
35	10135002		三角皮带	V type belt	1	
36	13517001		机针	Needle	4	
37	10111011		机头支柱	Frame support bar	1	
38	10131003		螺钉起子(中)	Screw driver(middle)	1	
39	10131004		螺钉起子(小)	Screw driver(small)	1	
40	101S30014		绕线器自攻螺钉	Wood screw	2	
41	10128008		绕线器螺钉垫圈	Washer	2	
42	10122025		操纵杆垫	Rubber	1	
51	13538003	33T1-004B	挑线杆	Thread take-up lever	1	
52	13504002	33T1-001	挑线曲柄	Needle bar crand	1	
53	13505003	33T1-014	针杆连杆	Needle bar crand rod	1	

九、机架、台板、电器分组件 Machine Stand, Table, Electric Appliance Components



## 九、机架、台板、电器分组件 Machine Stand、Table、Electric Appliance Components

序号 NO.	公司件号 Part NO.	参考件号 Ref.Part No.	名称	Description	数量 (Number)	备注
1	1011204200		边架部件(左)	Stand side asm left	1	
2	1011204300		边架部件(右)	Stand side asm right	1	
3	10111015		边架座套	Rubber cushion	4	
4	N01010		螺母	Nut	4	
5	101s30015		调节座	Screw	4	
6	10122029		调节座橡胶	Space ring	4	
7	10112044		横档	Stand side support	1	
8	L02014		横档连接螺栓	Screw	4	
9	10128011		垫圈	Spring washer	4	
10	W01010		垫圈	Washer	8	
11	N01011		螺母	Nut	4	
12	10112045		踏板轴档	Treadle brace	1	
13	L02014		踏板轴档螺栓	Screw	2	
14	10128011		垫圈	Spring washer	2	
15	W01010		垫圈	Washer	2	
16	10112046		踏板轴档定位螺母板	Treadle brace locknut plate	2	
17	10102013		踏板轴	Treadle shaft	1	
18	10112047		踏板轴座	Treadle bracket	2	
19	L02014		踏板轴座螺栓	Screw	2	
20	W01010		垫圈	Washer	4	
21	10128011		弹簧垫圈	Spring washer	2	
22	N01011		螺母	Nut	2	
23	10112048		踏板	Treadle	1	
24	10122030		踏板垫	Gas Ket	1	
25	10103023		踏板衬套	Coller	2	
26	10112049		踏板杠杆	Treadle pitman	1	
27	L02015		踏板杠杆螺栓	Screw	2	
28	W01003		垫圈	Washer	4	
29	N01012		螺母	Nut	2	
30	10112050		下拉杆	Pitman rod, lower	1	
31	10127019		拉杆弹簧	Spring	1	
32	10112051		上拉杆	Pitman rod, lower	1	
33	10112052		拉杆接头	Joint	1	
34	L02015		拉杆接头螺栓	Joint screw	1	
35	N01012		螺母	Nut	1	
36	10129001		上拉杆开口销	Pitman rod split pin (upper)	1	
37	101s30016		台板木螺钉	Table Wood screw	4	
38	10128012		垫圈	Table Wood screw washer	4	
39	10128013		台板垫圈	Table washer	4	
40	10132002		台板	Table	1	
41	10111016		抽斗	Drawer	1	
42	10111017		抽斗导轨	Drawer rail	2	
43	101s30017		抽斗导轨木螺钉	Drawer rail wood screw	6	
44	10133001		GFC4024型电机	Motor GFC4024 motor	1	
45	10130002		电机接线插头	Motor connecting wire plug	1	
46	10130003		电机接线	Motor wire	1	
47	10135004		电动机带轮	Motor pulley	1	
48	10135002		机头传动带	Machine driving belt	1	
49	101s30018		螺钉	Screw	3	
50	10128014		垫圈	Washer	3	
51	10128011		弹簧垫圈	Spring washer	3	
52	N01011		螺母	Nut	3	
53	10130004		电源开关	Power source switch	1	
54	101s30019		电源开关木螺钉	Power source switch wood screw	2	