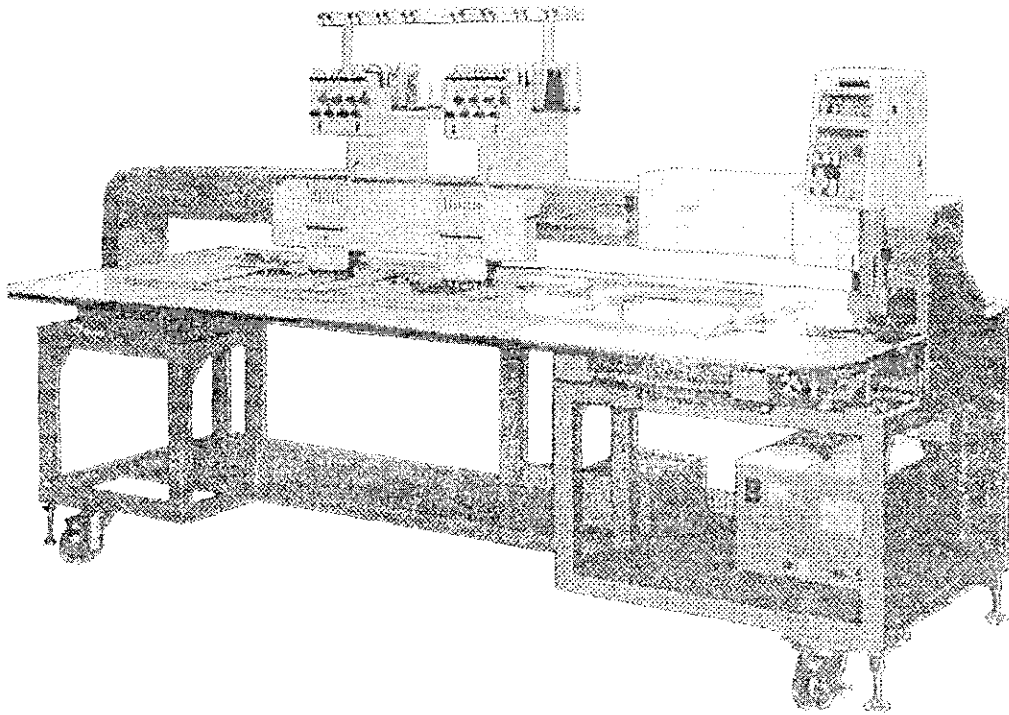


HV8020

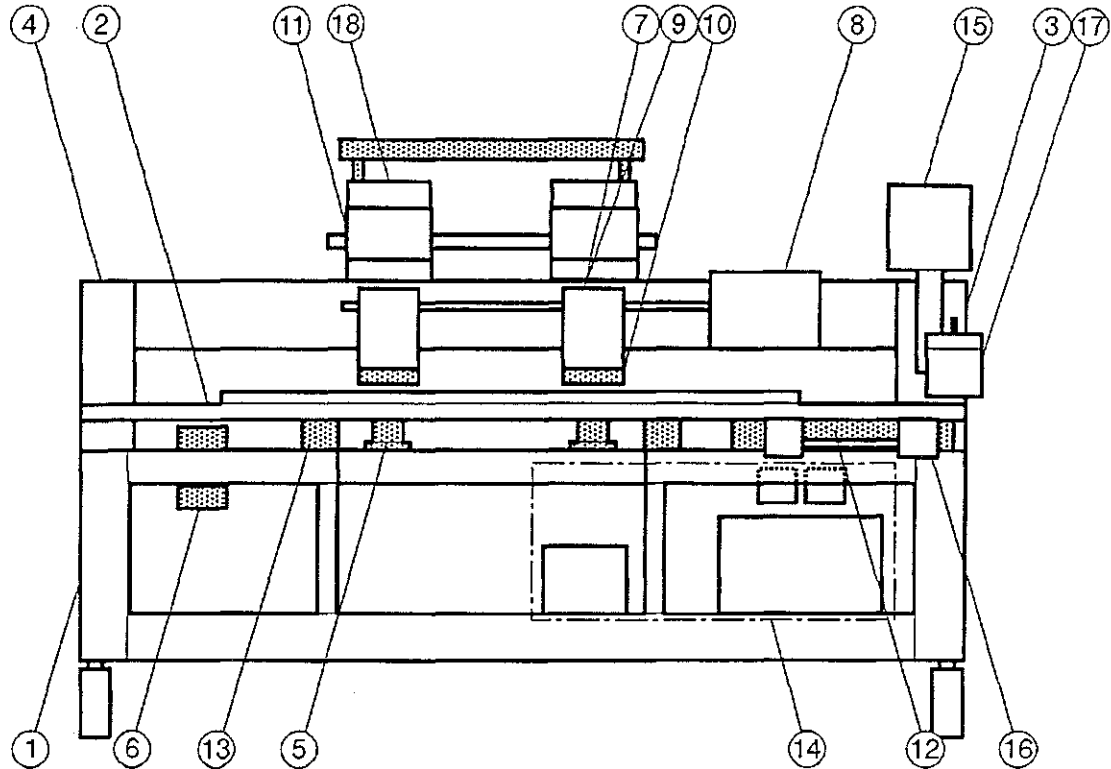
2-HEADS SEWING EMBROIDERY MACHINE

INSTRUCTION BOOK



HAPPY

INDEX



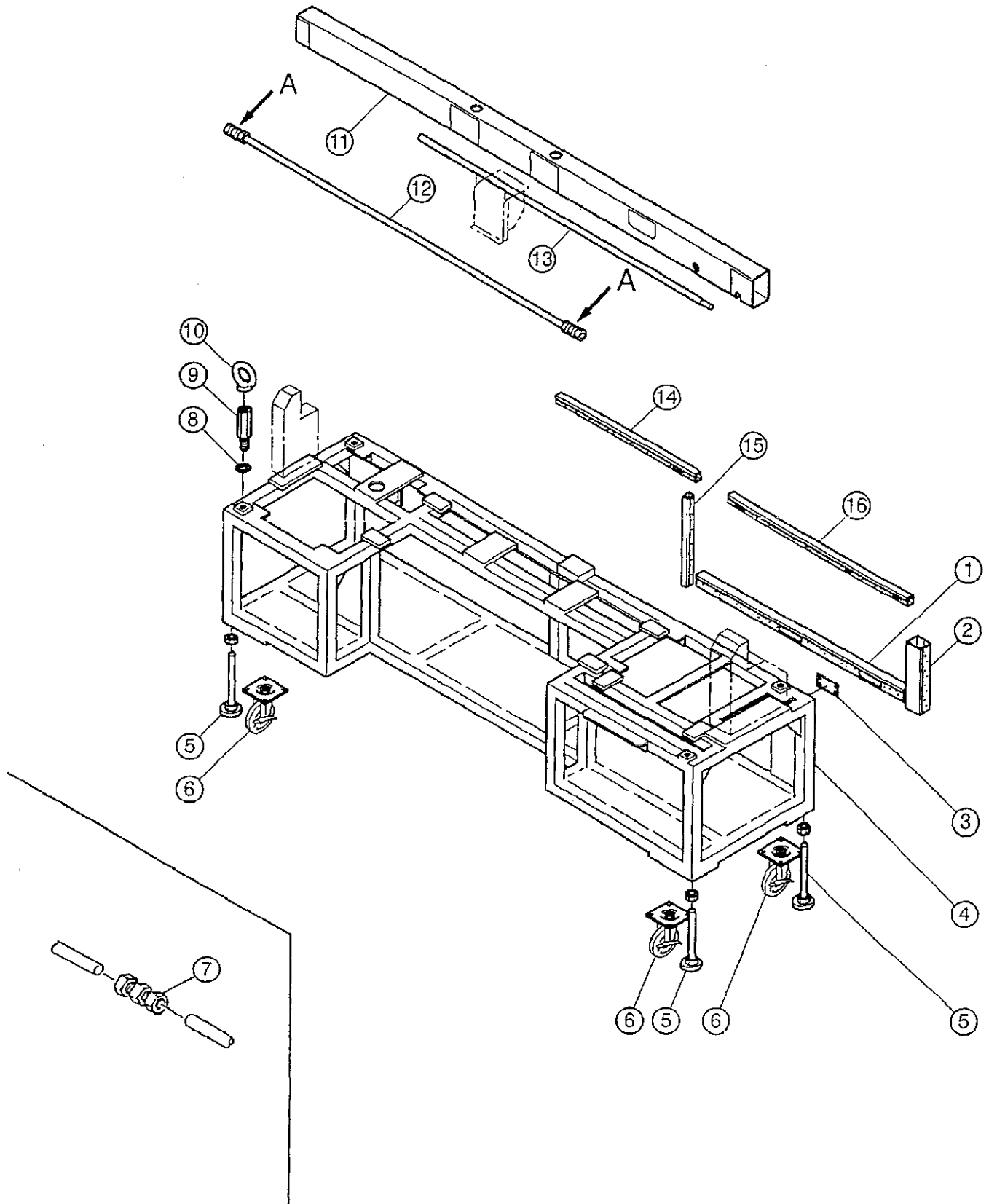
①FRAME -----	1.0	1.1	⑩THREAD CATCHER -----	10.0	10.1
②TABLE -----	2.0	2.1	⑪THREAD TENSION UNIT -----	11.0	11.1
③SUPPORT BOX RIGHT -----	3.0	3.1	⑫X CARRIAGE -----	12.0	12.1
④SUPPORT BOX LEFT -----	4.0	4.1	⑬Y CARRIAGE -----	13.0	13.1
⑤HEAD BED -----	5.0	5.1	⑭EACH UNIT -----	14.0	14.1
⑥HEAD BED -----	5.2	5.3	⑮THREAD CATCH DRIVER -----	14.2	14.3
⑥THREAD CUT ACTUATION UNIT -----	6.0	6.1	⑯CONTROL BOX -----	15.0	15.1
⑦FIXED HEAD -----	7.0	7.1	⑰BAR SWITCH -----	16.0	16.1
⑧NEEDLE BAR SELECTION UNIT -----	8.0	8.1	⑱TAPE READER -----(OPTION) -----	17.0	17.1
⑨MOVING HEAD -----	9.0	9.1	⑲ROTARY TYPE THREAD BREAK DETECTING DEVICE -----(OPTION) -----	18.0	18.1

EXPLANATION OF NOMENCLATURE

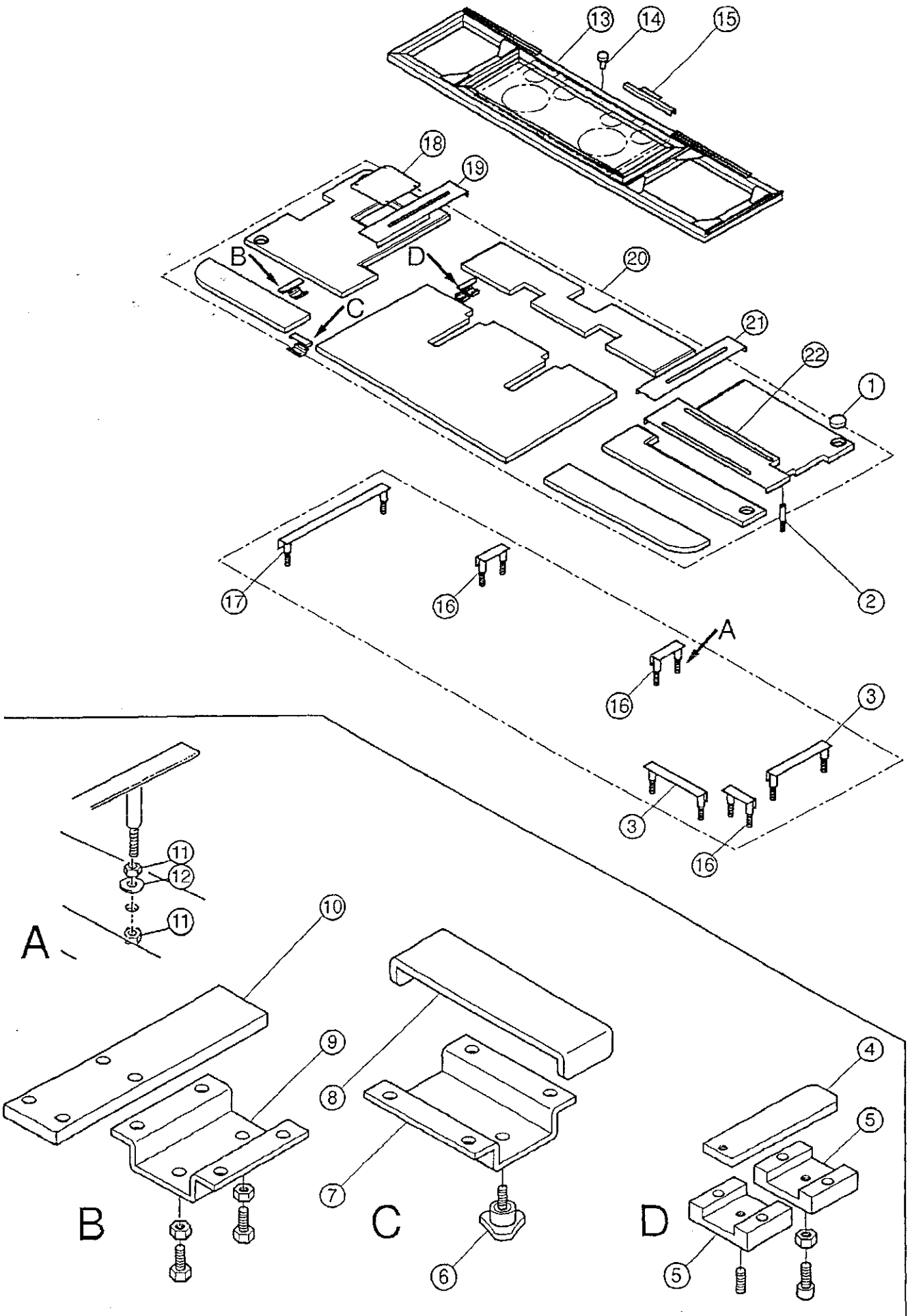
組	指図	部品番号	部品名	
Ass'y	El't	PARTS No.	PARTS NAMES	NOTE/備考
##	##	#####	#####	
##	##	#####	#####	~#####-###
###	##	#####	#####	#####-###
###	##	→###.##	#####	
①②	③	④ ⑤		⑥ ⑦

- ① That this parts, are component of assembly parts of element No. that was indicated here is shown.
- ② Parts with mark "*", we can not supply as individual parts because of the unit assembly parts and/or accessory.
- ③ It is the element No. of this parts in illustrations.
- ④ It is parts No. or a dimension parts.
- ⑤ This parts is entered to other page of that mark "→" shows.
- ⑥ Parts available up to this machine number.
- ⑦ Parts available from this machine number.

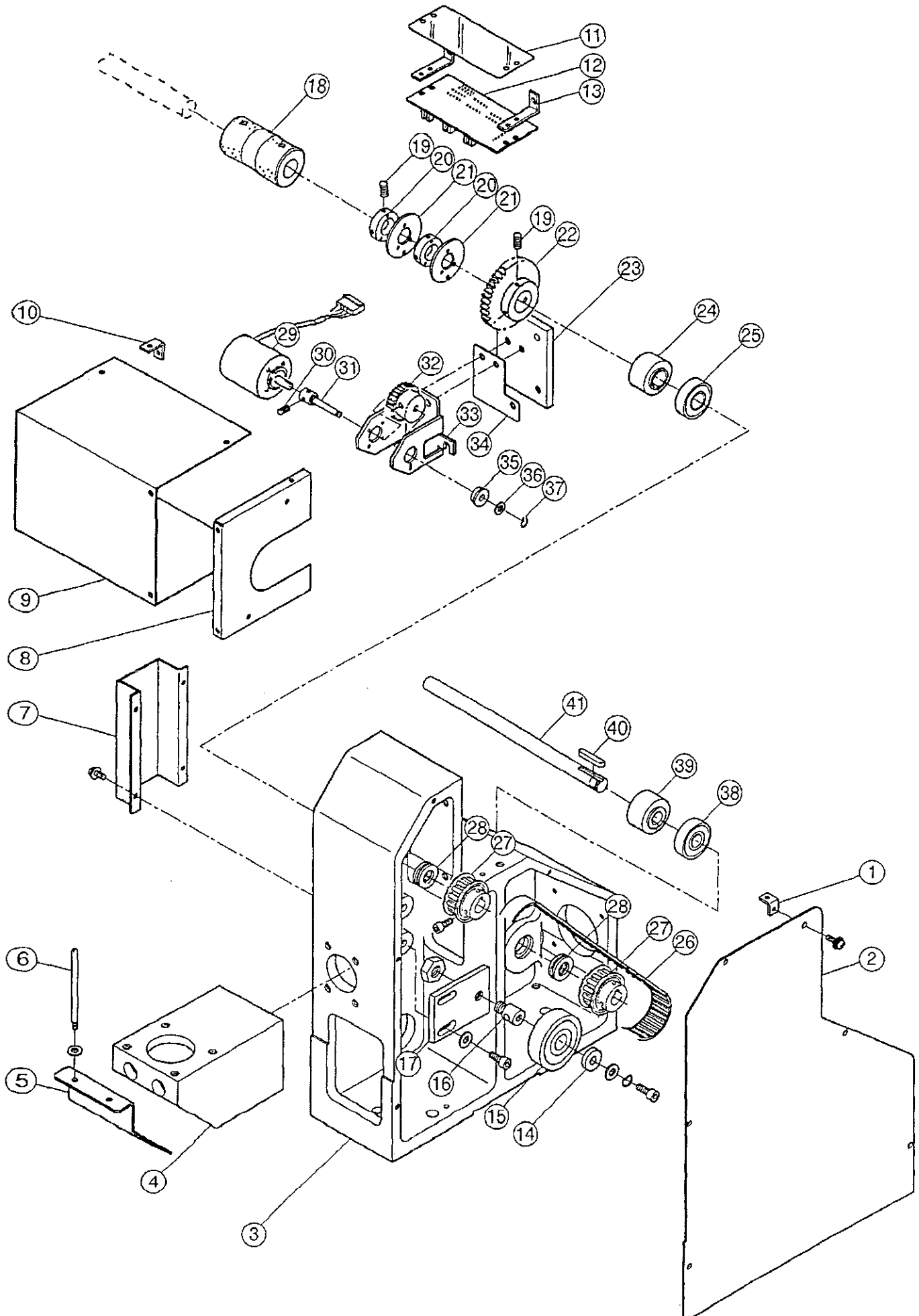
- ※ Specifications are subject to change without notice.
- ※ When you place parts orders, please state machine model (example : HMS-802C-30T), machine number and if machine is with option (example : boring device) or not.



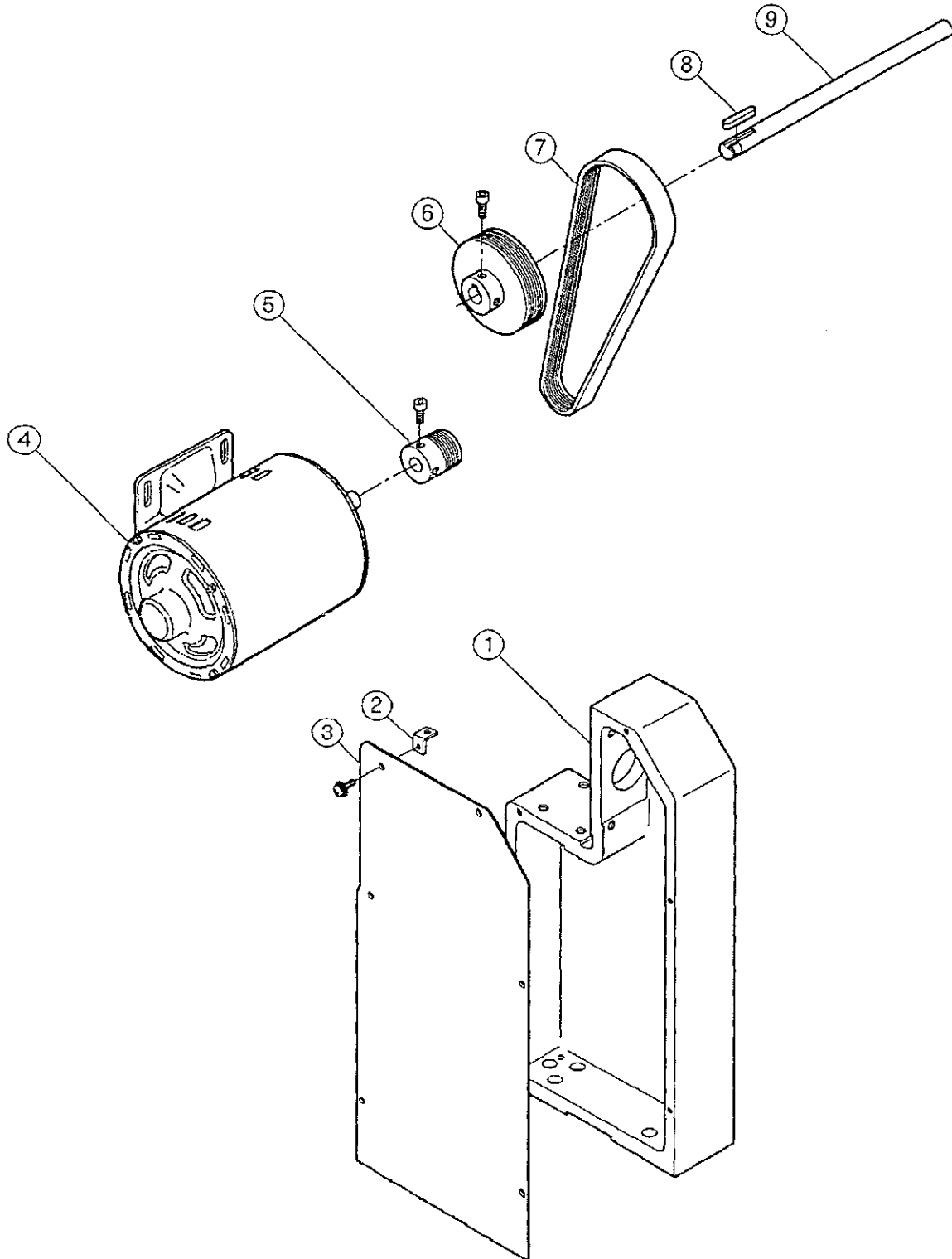
組 Ass'y	指図 Elt	部品番号 PARTS No.	PARTS NAMES	S8C3714 NOTE / 備考
	1	CS527010	Duct A	
	2	SF527000	Duct 1	
	3	M0400061	Machine number plate	
	4	CS500030	Frame	
	5	MPZ01240	Adjuster	
	6	MPZ01220	Caster	
	7	MPC00010	N-coupling (15-15)	
	8	MPB00180	Plastic thrust washer (TW2040)	
	9	SF400060	Stud (for hoisting)	
	10	MPZ01210	Eye bolt (for hoisting)	
	11	CS500040	Beam	
	12	CS503500	Lower shaft	
	13	CS502020	Upper shaft	
	14	CS527030	Duct C	
	15	CS527020	Duct B	
	16	CS527040	Duct D	



組 Ass'y	指図 Elt	部品番号 PARTS No.	PARTS NAMES	S8C3721 NOTE / 備考
	1	M0431560	Lid for table hole	
	2	M0430013	Stud for cover	
	3	CS530100	Table support C	
	4	C0430200	Table support plate	
	5	C0430190	Table support	
	6	MP201300	Knob bolt (M8x25)	
	7	CS430040	Base (1) for table clasp	
	8	CS430050	Slider (1) for table clasp	
	9	CS530110	Table clasp A	
	10	CS530120	Table clasp B	
	11	NA12000D	Nut (M12)	
	12	WA12000D	Washer (M12)	
	13	CS537000	Frame ass'y	
	14	M0437002	Knob bolt	
	15	M0437016	Clip (300mm)	
	15	M0437056	Clip (190mm)	
	15	M0437076	Clip (180mm)	
	16	CS530090	Table support B	
	17	CS530080	Table support A	
	18	CS530160	Thread cut cover	
	19	CS530151	Y carriage cover (left)	
	20	CS530000	Table ass'y	
	21	CS530141	Y carriage cover (right)	
	22	CS530130	X carriage cover	



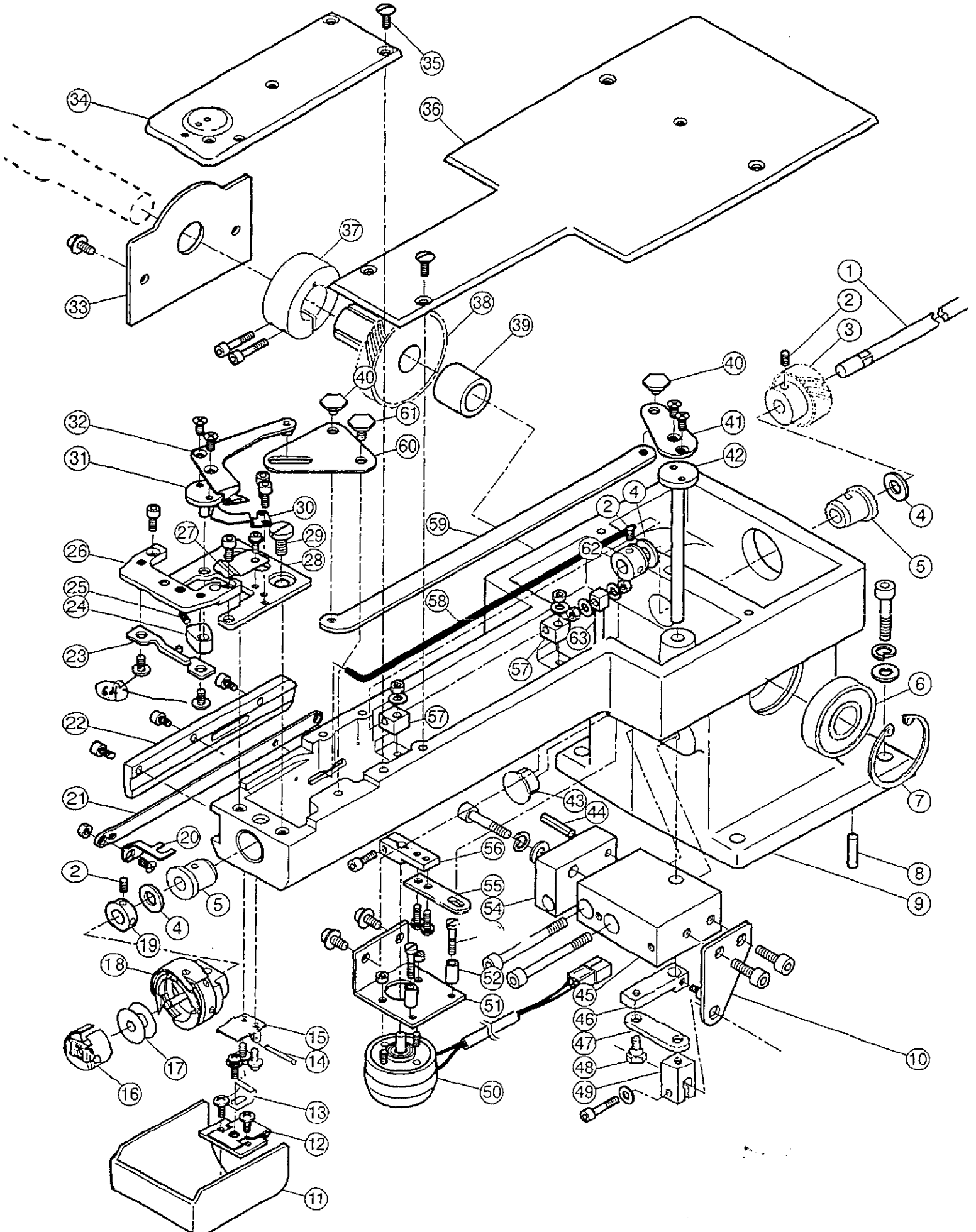
組 Ass'y	指図 E/t	部品番号 PARTS No.	PARTS NAMES	S8C3728 NOTE / 備考
	1	SF400050	Cover support	
	2	CS502040	Cover right	
	3	CS502010	Support box right	
	4	SF529111	Pole support (B)	
	5	SF529120	Pole support cover (B)	
	6	MO402051	Spool pin	
	7	CS502080	Cable cover	
	8	CS510070	Detecting unit cover (B)	
	9	CS510060	Detecting unit cover (A)	
	10	SF410050	Control cover support	
	11	CO402070	Board cover	
	12	MO410103	Timing detecting board	
	13	CO402050	Bracket for board	
	14	SF402130	Tension washer	
	15	MPB00550	Bearing (6403ZZ)	
	16	SF402120	Tension shaft	
	17	SF402030	Tension bracket	
	18	MO402130	Upper shaft grip	
	19	SS04008A	Set screw (M4x8)	
	20	CO402041	Slit disc boss	
	21	MO410123	Detecting slit disc	
	22	MO402121	Encoder drive gear (A)	
	23	HX102250	Bracket base	
	24	MO402150	Clamp (upper)	
	25	MPB00030	Bearing (6004LLU)	
	26	MPV00450	Timing belt	
	27	CS502030	Timing pulley	
	28	MPB00160	Thrust bearing (51102)	
	29	SF575000	Rotary encoder	
	30	SS03006A	Set screw (M3x6)	
	31	MO402700	Encoder gear shaft (B)	
	32	MO402081	Encoder drive gear (B)	
	33	HX102210	Bracket	
	34	HX102220	Spacer for encoder unit	
	35	MPB00010	Miniature bearing (RF1760ZZR)	
	36	-	Slider (t=0.1)	
	37	MPR00010	BG-ring (BG-6)	
	38	MPB00540	Bearing (6302LLU)	
	39	SF402110	Clamp (lower)	
	40	MO402160	Drive shaft key B	
	41	CS502070	Drive shaft lower	



HAPPY SUPPORT BOX LEFT

4.1

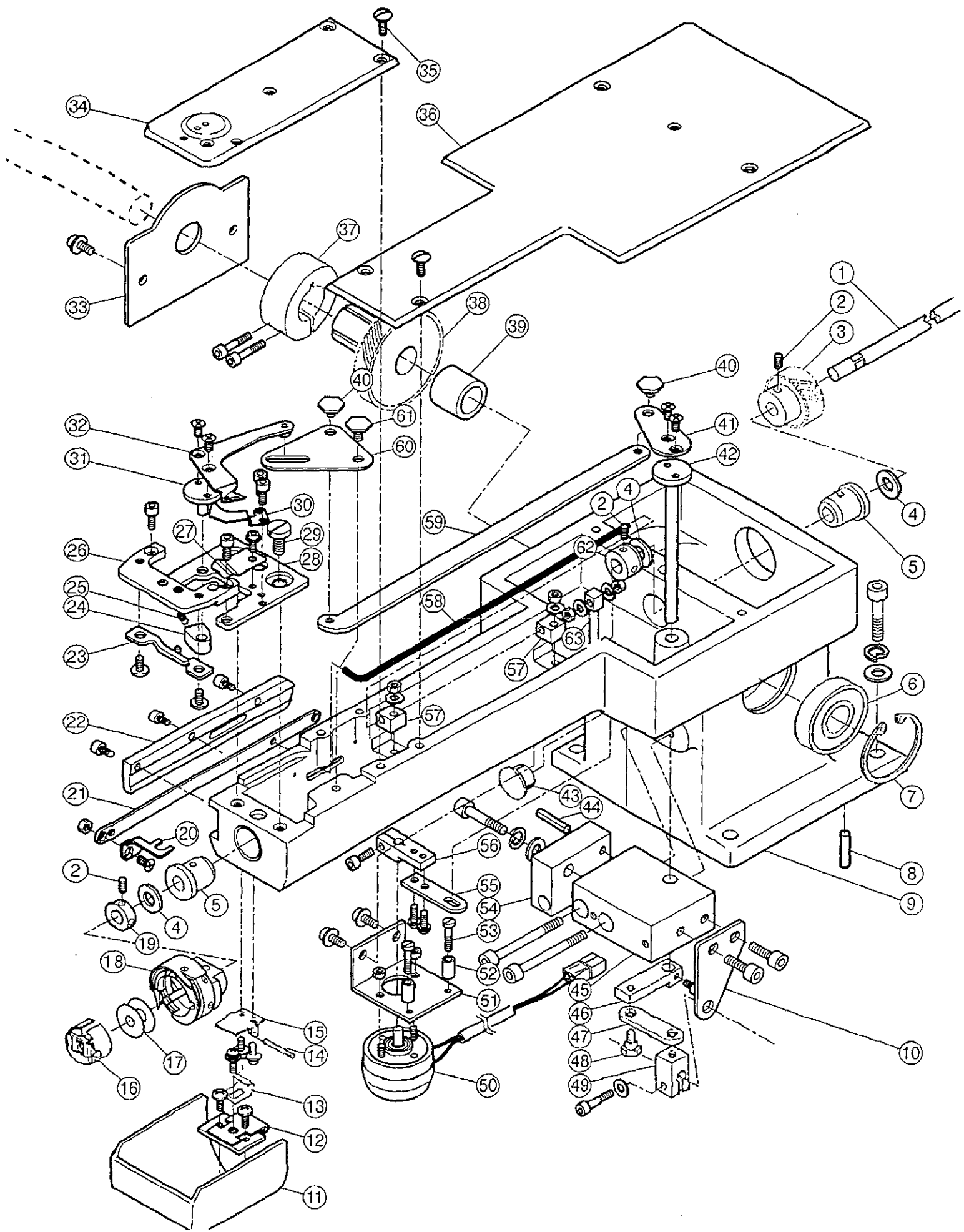
組 Ass'y	指図 E'l	部品番号 PARTS No.	PARTS NAMES	S8C3729 NOTE / 備考
	1	CS502050	Support box left	
	2	SF400050	Cover support	
	3	CS502060	Cover left	
	4	EPM00100	Drive motor 0.3KW	
	5	SF402050	Motor pulley	
	6	SF402040	Lower shaft pulley	
	7	MPV00410	Main drive belt	
	8	M0402160	Drive shaft key B	
	9	CS502070	Drive shaft lower	



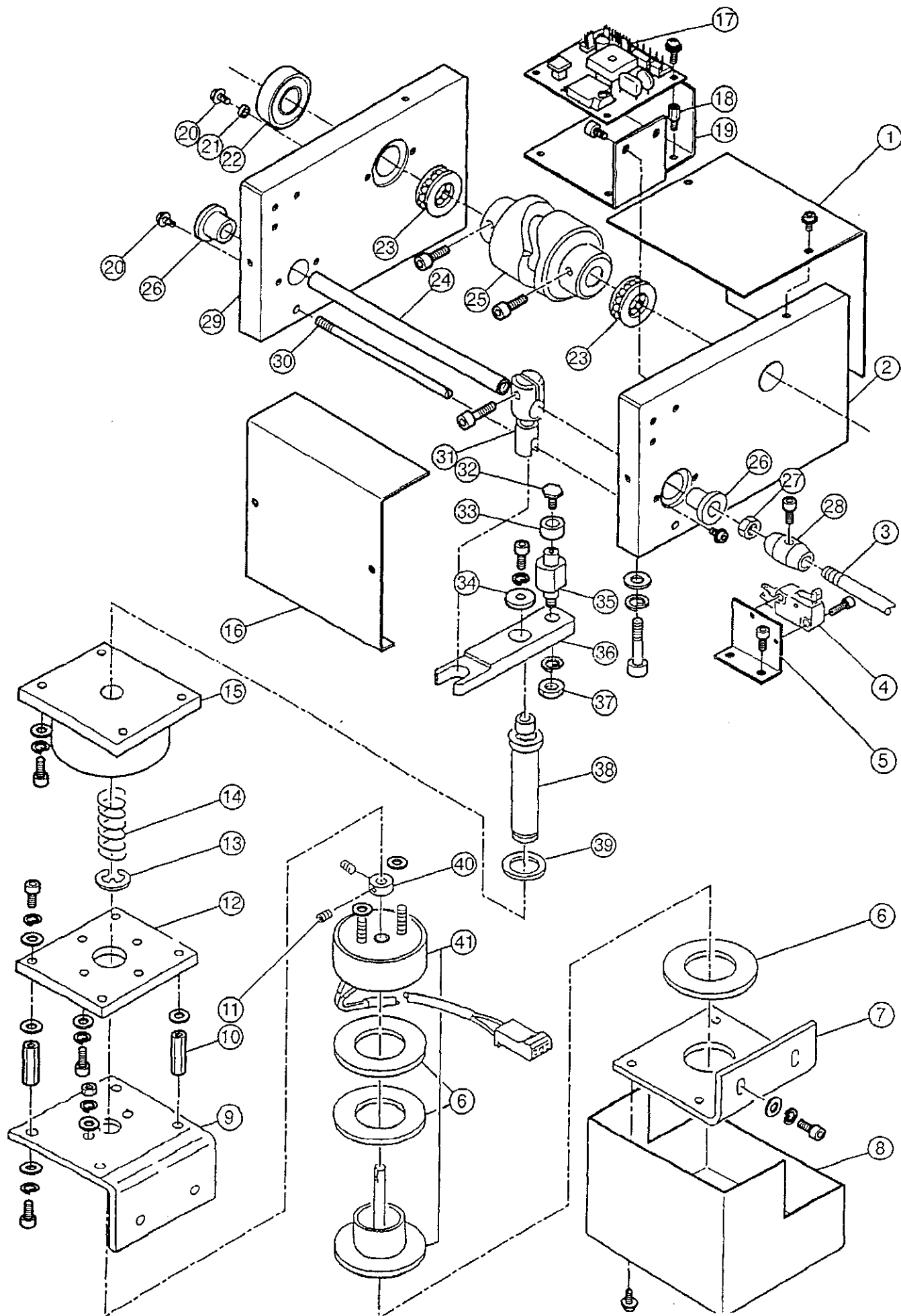
組 Ass'y	指図 Elt	部品番号 PARTS No.	PARTS NAMES	C043802 NOTE / 備考
	1	C0404020	Rotary hook shaft	
	2	SS04004A	Set screw (M4x4)	
	3	SF404060	Rotary hook shaft gear	
	4	MPB00120	Plastic thrust washer (TW0815)	
	5	CS404030	Rotary hook shaft bushing	
	6	MPB00150	Bearing (6202LLU)	
	7	MPR00030	BO-ring (BO-35)	
	8	-	Knock pin (5x15)	
	9	C0404010	Rotary hook base	
	10	C0404330	Support for thread cut shaft	
	11	C0404061	Rotary hook cover	
	12	C0404090	Hinge	
	13	C0404081	Spring	
	14	MPP00100	Shaft	
	15	C0404070	Hinge for rotary hook cover	
	16	MPZ00080	Bobbin case	
	17	MPZ00550	Bobbin	
	18	MPZ01260	Rotary hook	
	19	M0404102	Collar	
	20	C0404102	Keeper	
	21	C0404111	Keeper actuating plate	
	22	C0404121	Actuating plate guide	
	23	CS404080	Rotary hook retainer	
	24	C0404241	Knife drive shaft retainer	
	25	SS04006A	Set screw (M4x6)	
	26	C0404203	Rotary hook retainer base	
	27	M0404423	Bobbin thread holder	
	28	C0404191	Thread cutting base	
	29	M0404210	Fixing screw for thread cutting base	
	30	C0404341	Fixed knife	
	31	C0404231	Drive shaft for knife	
	32	C0404210	Knife	
	33	C0404030	Side cover for rotary hook base	
	34	C0404051	Needle plate	
	35	MPZ00040	Screw for needle plate	
	36	C0404041	Cover	
	37	M0404122	Fasten collar	
	38	SF404070	Gear	
	39	CS404040	Collar	
	40	C0404260	Hinge screw	
	41	C0404291	Link	
	42	C0404300	Drive shaft for link	
	43	MPZ00090	Hole cover	
	44	MPP00090	Knock pin (4x20)	
	45	C0404311	Link base	
	46	C0404350	Drive arm for knife	
	47	M0404250	Link	
	48	M0404262	Hinge screw for link	
	49	M0404271	Fasten block for thread cut shaft	
	50	C0404380	Keeper solenoid	
	51	C0404172	Solenoid bracket	
	52	M0404161	Keeper stopper	
	53	M0404150	Stopper pin for keeper	
	54	C0404320	Holder	
	55	C0404160	Solenoid actuating plate	
	56	M0404362	Fasten block for keeper actuating plate	

64 3H019

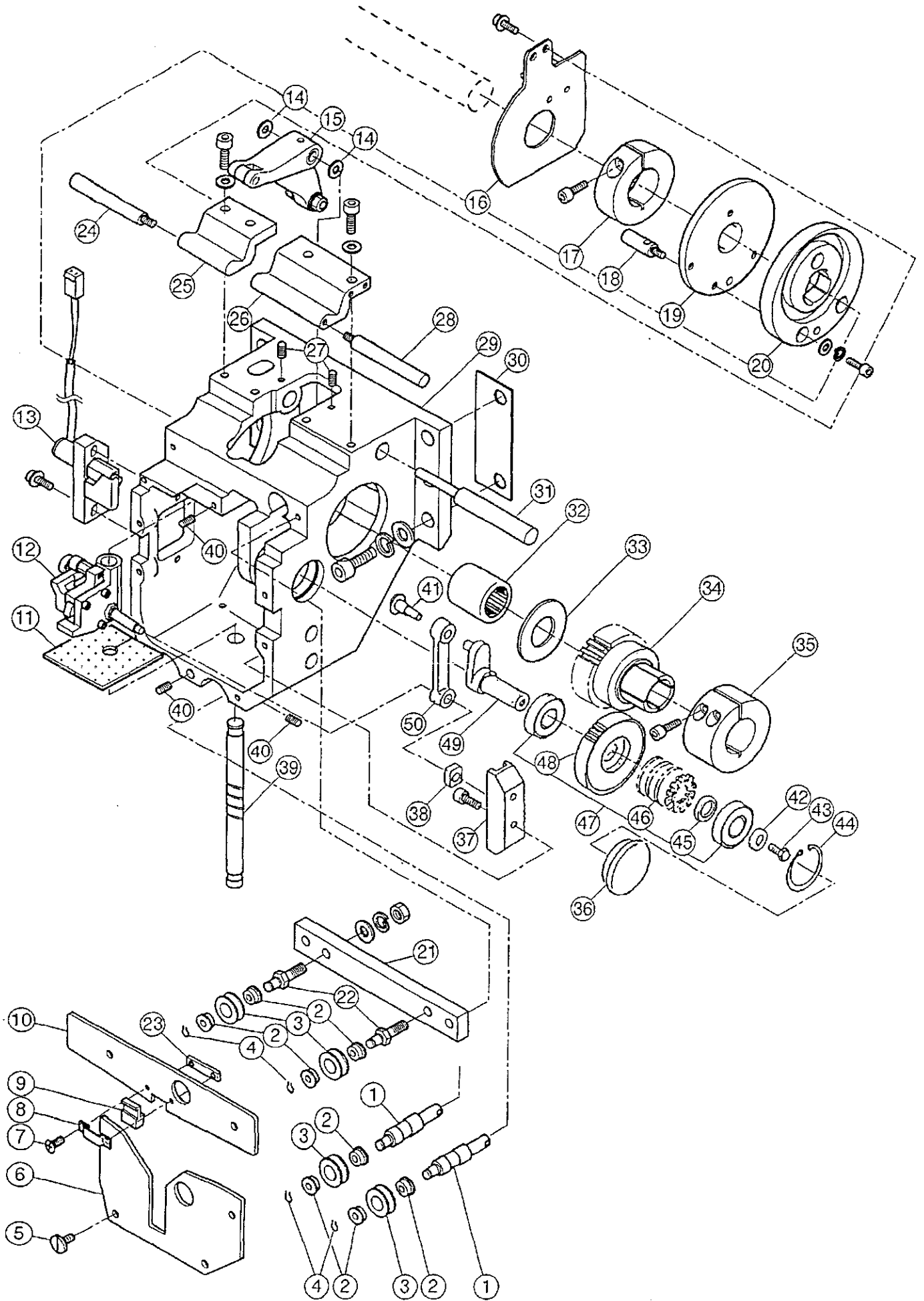
64 Screw for CS404080



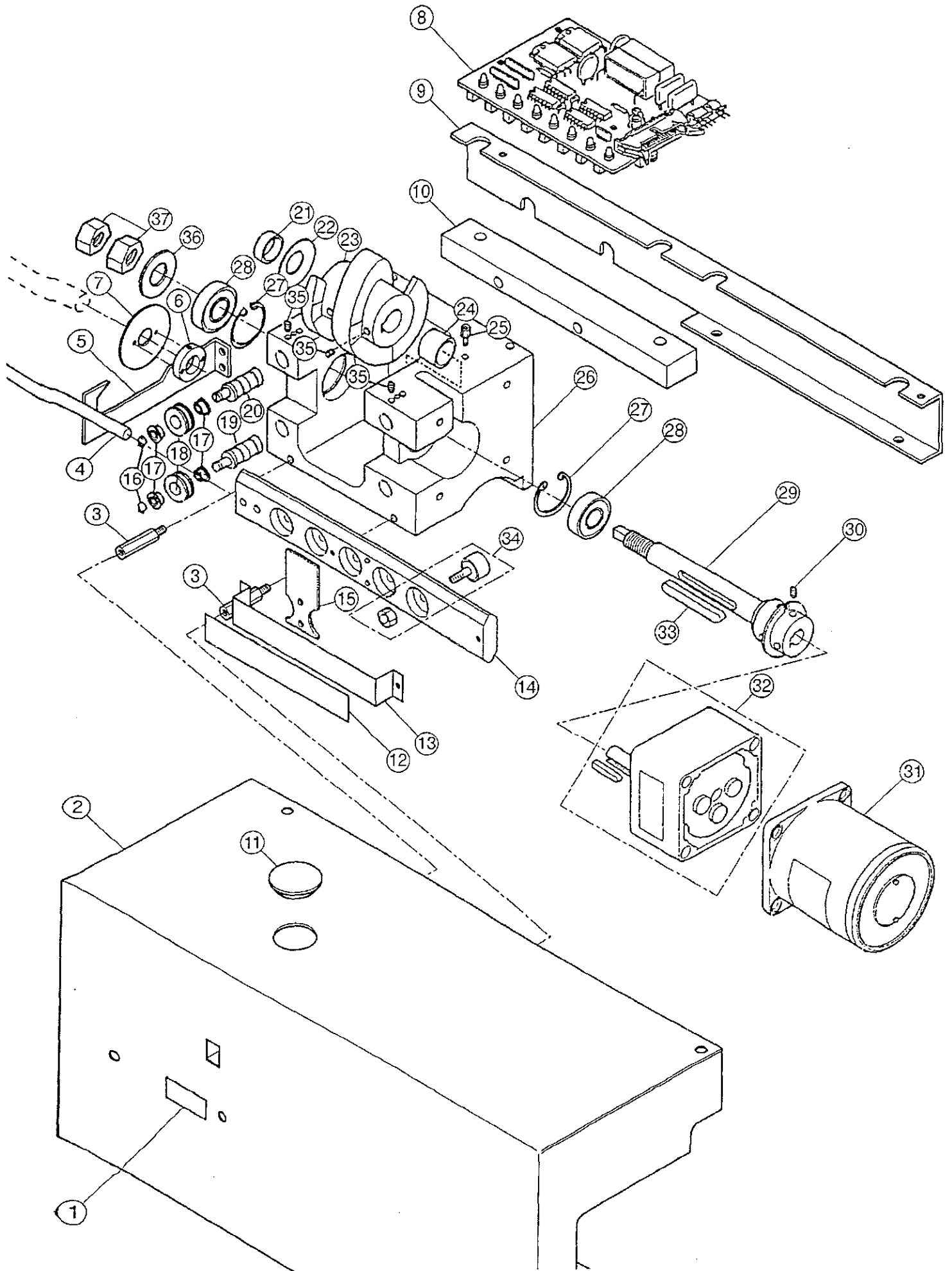
組 Ass'y	指図 EIT	部品番号 PARTS No.	PARTS NAMES	C043802 NOTE / 備考
	57	✓C0404140	Connecting rod guide	
	58	✓C0404130	Connecting rod	
	59	C0404280	Rod	
	60	C0404251	Swing plate	
	61	✓C0404270	Hinge screw for link	
	62	C0404430	Collar	
	63	✓C0404150	Actuating pin	



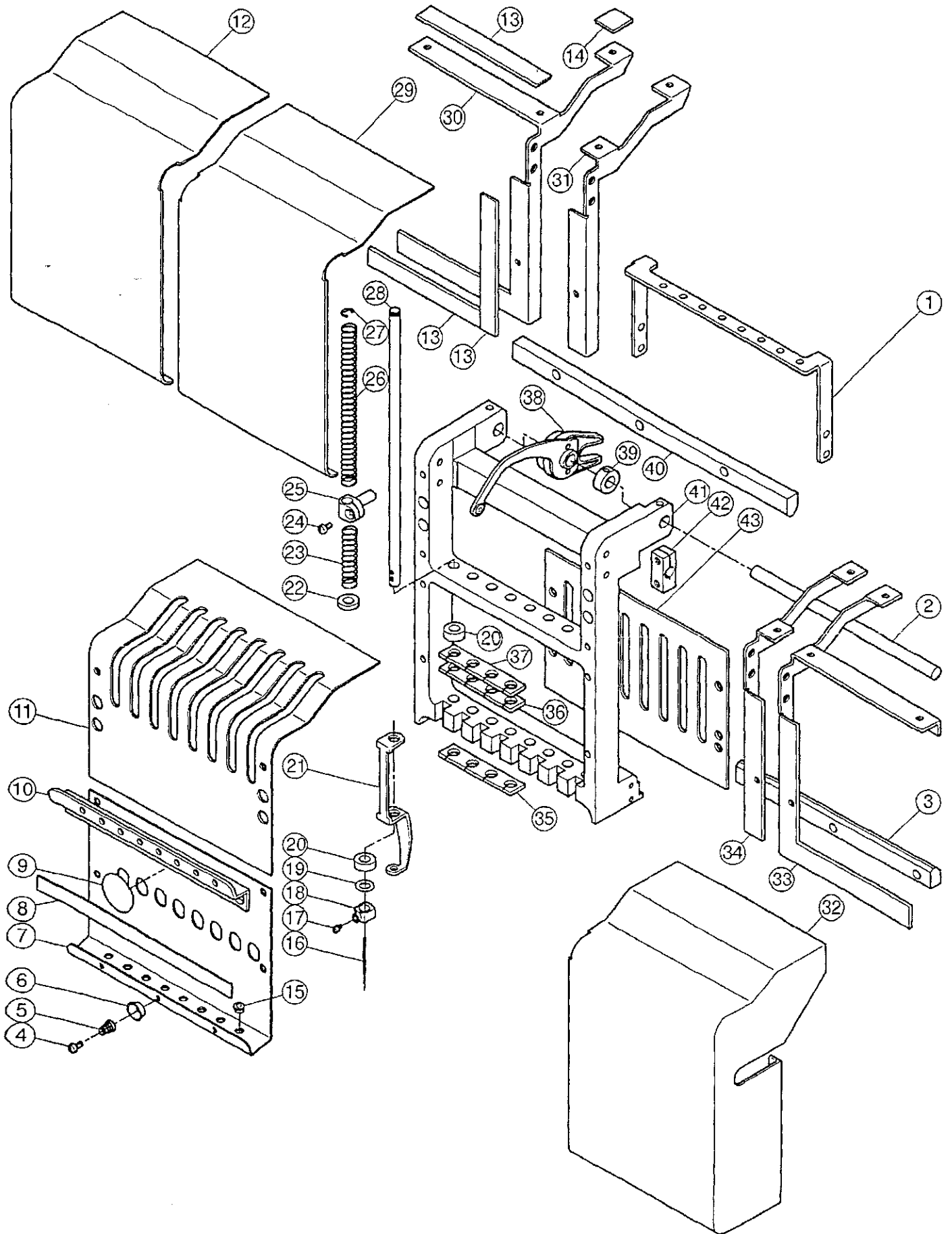
組 Ass'y	指図 E'l't	部品番号 PARTS No.	PARTS NAMES	S8C3802 NOTE / 備考
	1	C0406030	Cam cover (rear)	
	2	C0406010	Cam support right	
	3	CS506010	Thread cutting shaft	
	4	✓EPS00010	Micro switch	
	5	✓SF406080	Micro switch base	
	6	✓M0406010	Solenoid felt	
	7	M0406023	Felt base	
	8	CS506020	Solenoid cover	
	9	✓M0406080	Fixing plate	
	10	✓M0406070	Solenoid stud	
	11	SS04004A	Set screw (M4x4)	
	12	✓M0406060	Solenoid base	
	13	-	E-ring (E-12)	
	14	✓M0406050	Lever spring	
	15	SF406010	Lever shaft support	
	16	C0406040	Cam cover (front)	
	17	M0406282	Thread cutting solenoid board	
	18	✓MPZ00370	Stud (M3x10)	
	19	C0406050	Base for thread cutting solenoid board	
	20	SX04008D	Cap screw with flange (M4x8)	
	21	M0406200	Spacer	
	22	MPB00150	Bearing (6202LLU)	
	23	MPB00160	Thrust bearing (51102)	
	24	✓M0406161	Slide shaft	
	25	✓M0406151	Drive cam for thread cutting	
	26	✓MPZ00440	Flange bushing	
	27	✓M0404280	Nut	
	28	✓M0406100	LS dog	
	29	C0406020	Cam support left	
	30	✓M0406170	Guide pin	
	31	✓M0406142	Lever drive pin	
	32	✓M0406211	Roller screw	
	33	✓M0406220	Thread cutting roller	
	34	M0406410	Washer	
	35	SF406050	Roller shaft	
	36	✓SF406040	Cam lever	
	37	✓NC06000A	Nut (M12)	
	38	✓M0406252	Lever shaft	
	39	✓M0406260	Urethane washer	
	40	M0404102	Collar	
	41	✓M0406000	Thread cutting solenoid	



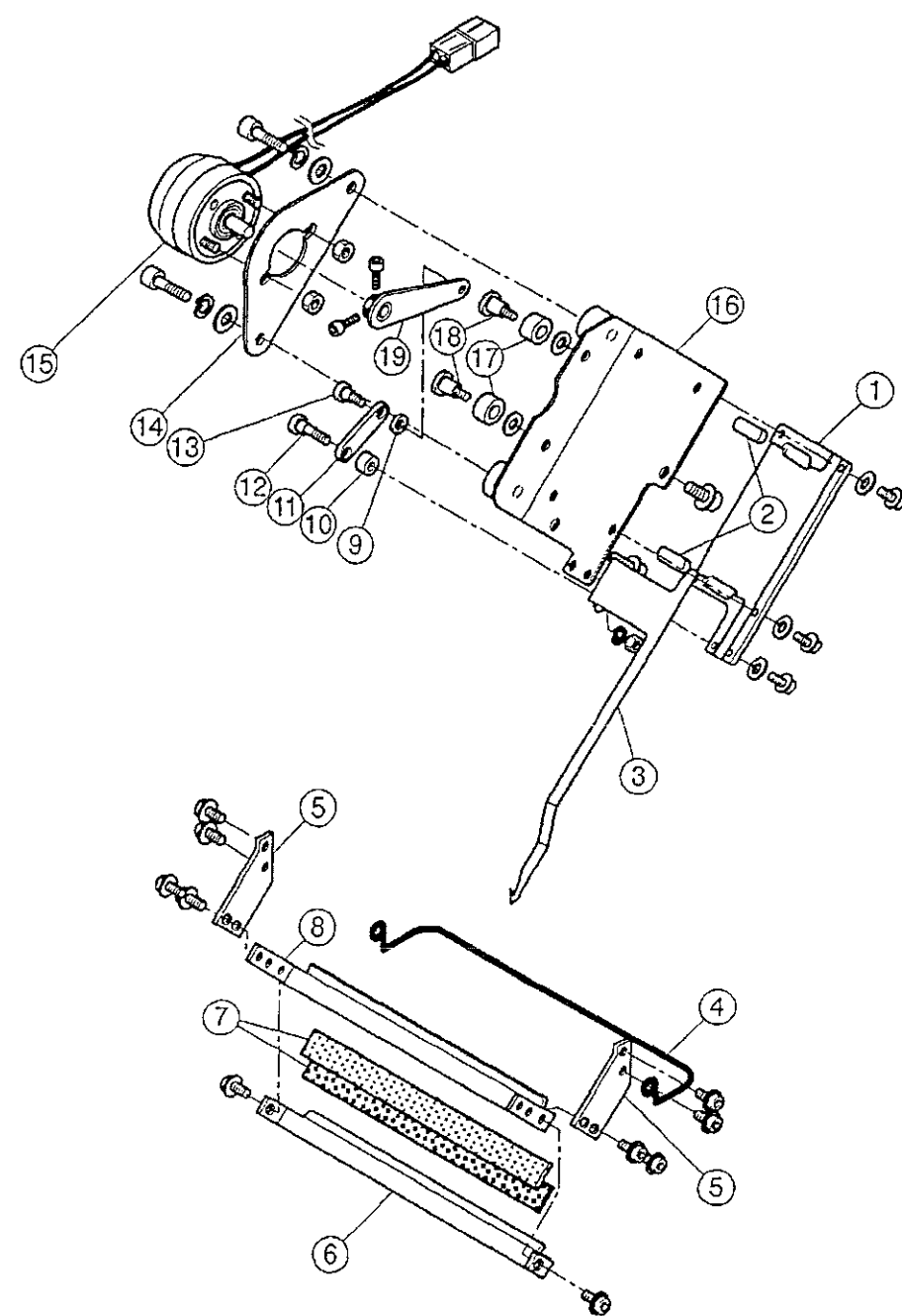
組 Ass'y	指図 El't	部品番号 PARTS No.	PARTS NAMES	S8C3804 NOTE / 備考
	1	C0408150	Roller pin (lower)	
	2	MPB00240	Bearing (LF1060ZZ)	
	3	M0408483	Bearing case	
	4	MPR00010	BG-ring (BG-6)	
	5	M0408440	Screw for face plate	
	6	HX108110	Lower face plate	
	7	SCM22005	Flat head screw (M2.5x5)	
	8	M0408423	Holding plate	
	9	M0408411	Cushion	
	10	HX108040	Upper face plate	
	11	M0408870	Felt for fixed head	
	12	M0408275	Jump structure unit	
	13	M0408355	Jump solenoid ass'y	
	14	MPB00080	Plastic thrust washer (TW0613)	
	15	C0408060	Take-up lever catcher ass'y	
	16	C0408161	Side cover ass'y	
	17	C0408040	Fasten collar	
	18	C0408050	Positioning pin	
	19	C0408030	Fixing plate for cam	
	20	CS508010	Take-up lever cam ass'y	
	21	HX108080	Roller pin guide (for 8 needle)	
	22	HX108060	Roller pin (upper)	
	23	M0408430	Plate nut	
	24	M0408100	Guide bar (left) for take-up lever (for 8 needle)	
	25	HX108120	Guide base (left) for take-up lever	
	26	C0408120	Guide base (right) for take-up lever	
	27	SS04006A	Set screw (M4x6)	
	28	M0408040	Guide bar (right) for take-up lever (for 8 needle)	
	29	HX108010	Fixed head	
	30	HX108070	Head spacer	
	31	C0408100	Take-up lever catcher shaft	
	32	MPB00190	Needle bearing (HK2020LL) = B1024	
	33	MPB00180	Plastic thrust washer (TW2040)	
	34	CX108010	Drive gear (1) for needle ber	
	35	M0408003	Fasten collar	
	36	M0408150	Rubber cap (small)	
	37	M0408223	Guide rail for slide block	
	38	M0408230	Slide block	
	39	HX108030	Slide shaft	
	40	SS05008A	Set screw (M5x8)	
	41	M0408210	Screw for crank rod	
	42	M0408160	Washer (B)	
	43	SV06010E	Bolt (M6x10)	
	44	MPR00050	BO-ring (BO-28)	
	45	M0408170	Washer (A)	
	46	MPS00030	Holder spring	
	47	MPB00210	Bearing (6001ZZ) = B1013	
	48	M0408180	Drive gear (2) for needle bar	
	49	HX108020	Crank shaft	
	50	M0408202	Crank rod	



組 Ass'y	指図 E't	部品番号 PARTS No.	PARTS NAMES	S8C3809 NOTE / 備考
	1	✓ M0451060	-	
	1	✓ M0451070	Needle No. sticker	
	2	CS510051	Front cover	
	3	✓ M0410041	Stud for front cover	
	4	CS510020	Shaft for needle bar selection	
	5	CS510030	Pointer	
	6	SF410110	Adjusting disc holder	
	7	SF410100	Adjusting disc	
	8	✓ M0410054	Needle bar selection board	
	9	CS510040	Stay	
	10	CS510010	Fixing plate	
	11	M0408150	Rubber cap (small)	
	12	M0451020	Needle No. display sticker	
	13	✓ M0410160	Base for needle No. display	
	14	✓ M0410141	Slide bar	
	15	✓ M0410150	Detecting plate for needle position	
	16	MPR00010	BG-ring (BG-6)	
	17	MPB00240	Bearing (LF1060ZZ)	
	18	M0408483	Bearing case	
	19	✓ M0410195	Pin	
	20	✓ M0410182	Pin A (off set)	
	21	✓ M0410081	Collar A	
	22	✓ MPS00050	Plate spring	
	23	✓ M0410070	Rotating slotted cam	
	24	✓ M0410061	Collar	
	25	✓ M0410030	Stud	
	26	✓ M0410023	Base for needle bar selection unit	
	27	✓ MPR00070	C-ring (C-32)	
	28	✓ MPB00220	Bearing (6002ZZ)	
	29	✓ M0410016	Drive shaft for needle bar selection unit	
	30	✓ SS04005A	Set screw (M4x5)	
	31	✓ EPM00090	Motor	
	32	✓ EPM00020	Gear head	
	33	✓ MPK00010	Key (both round 5x5x47)	
	34	✓ MPB00230	Cam follower (with nut, KR16XLL)	
	35	SS04008A	Set screw (M4x8)	
	36	✓ WA14000D	Washer (M14)	
	37	NA12000B	Nut (M12)	



組 Ass'y	指図 E'l't	部品番号 PARTS No.	PARTS NAMES	S8C3817 NOTE / 備考
	1	M0412012	Thread guide plate C (for 8 needle)	
	2	M0412070	Take-up lever shaft (for 8 needle)	
	3	M0412130	Rail 2 (for 8 needle)	
	4	M0412411	Thread holding screw	
	5	M0412400	Spring	
	6	M0412390	Thread holding disc	
	7	HX112120	Front panel lower (for 8 needle)	
	8	M0412382	Thread holding rubber	
	9	-	Number sticker	
	10	HX112100	Thread guide plate (for 8 needle)	
	11	CS512010	Front panel upper (for 8 needle)	
	12	SF530480	Cover for between heads (left)	
	13	SF530500	Magnet (A) for cover bracket	
	14	SF530510	Magnet (B) for cover bracket	
	15	M0412840	Eyelet	
	16	MPZ00150	Needle (#11)	
	17	MPZ00140	Fixing screw	
	18	M0412250	Needle holding block	
	19	-	O-ring	
	20	HX112060	Cushion <i>M0413030</i>	
	21	HX112050	Prsure foot	
	22	M0412260	Plastic ring (B)	
	23	M0413050	Needle bar spring (2)	
	24	M0412200	Screw for needle bar boss	
	25	M0412801	Needle bar boss	
	26	HX112040	Needle bar spring upper <i>M042172 Needle Bar Spring 1</i>	
	27	MPR00080	E-ring (E-5)	
	28	M0412164	Needle bar	
	29	CS530170	Cover for between heads (middle)	
	30	SF530460	Cover bracket (D)	
	31	SF530440	Cover bracket (B)	
	32	SF530491	Cover for between heads (right)	
	33	SF530450	Cover bracket (C)	
	34	SF530430	Cover bracket (A)	
	35	M0413040	Prsure foot felt (2.5mm)	
	36	M0412500	Prsure foot felt (1.0mm)	
	37	M0412610	Prsure foot felt (2.0mm)	
	38	-	Take-up lever ass'y	
	39	HX112090	Collar	
	40	HX112021	Rail upper (for 8 needle)	
	41	HX112011	Moving head main body (for 8 needle)	
	42	M0412112	Fasten block	
	43	HX112030	Needle bar boss lift cage (for 8 needle)	

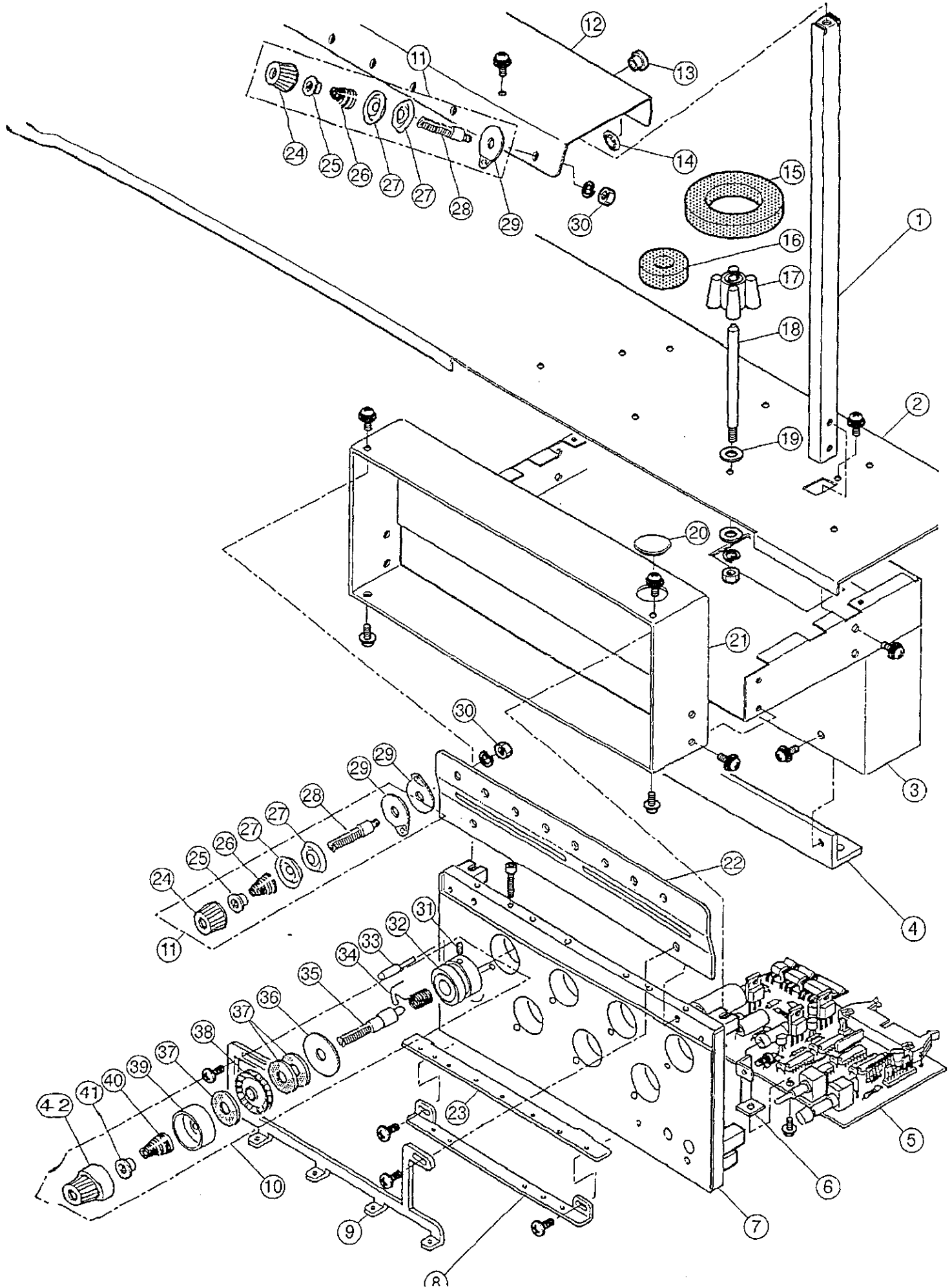


組 Ass'y	指図 El't	部品番号 PARTS No.	PARTS NAMES	C043817 NOTE / 備考
	1	✓ M0414170	Guide plate	
	2	✓ M0414180	Cushion	
	3	C0414051	Hook	
	4	✓ C0414120	Hook guide	
	5	✓ C0414060	Holder guide	
	6	✓ C0414100	Holder (lower)	
	7	C0414111	Magic tape	
	8	✓ C0414090	Holder (upper)	
	9	✓ M0414150	Washer for hinge screw	
	10	✓ C0414080	Spacer for hinge screw	
	11	✓ M0414162	Connecting plate	
	12	✓ C0414070	Hinge screw	
	13	✓ M0414142	Hinge screw (A)	
	14	C0414040	Solenoid fixing plate	
	15	✓ M0414120	Solenoid	
	16	C0414010	Bracket	
	17	✓ M0412241	Plastic ring	
	18	✓ M0414080	Hinge screw (B)	
	19	✓ M0414100	Actuating plate	

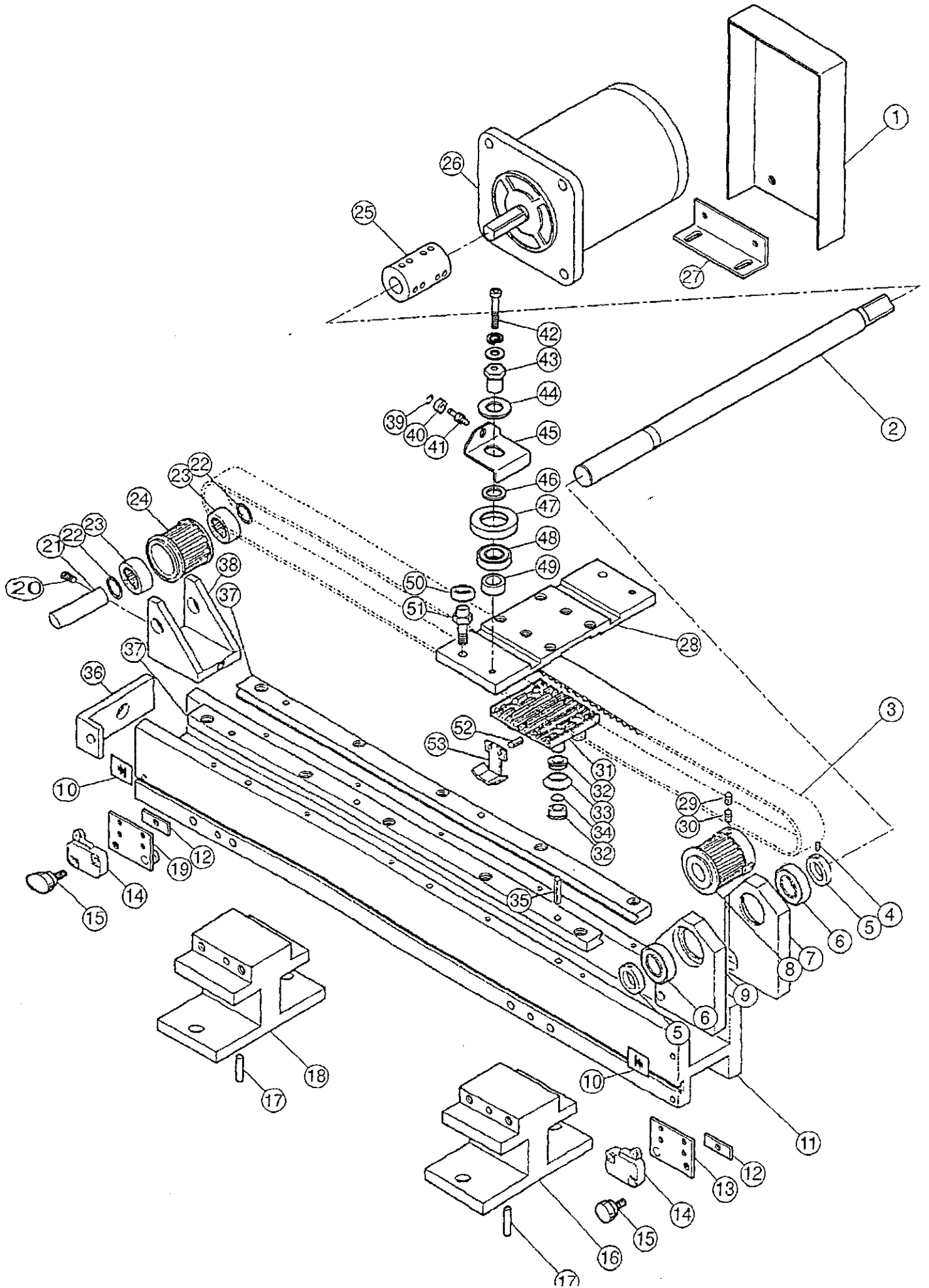
HAPPY THREAD TENSION UNIT

S823817

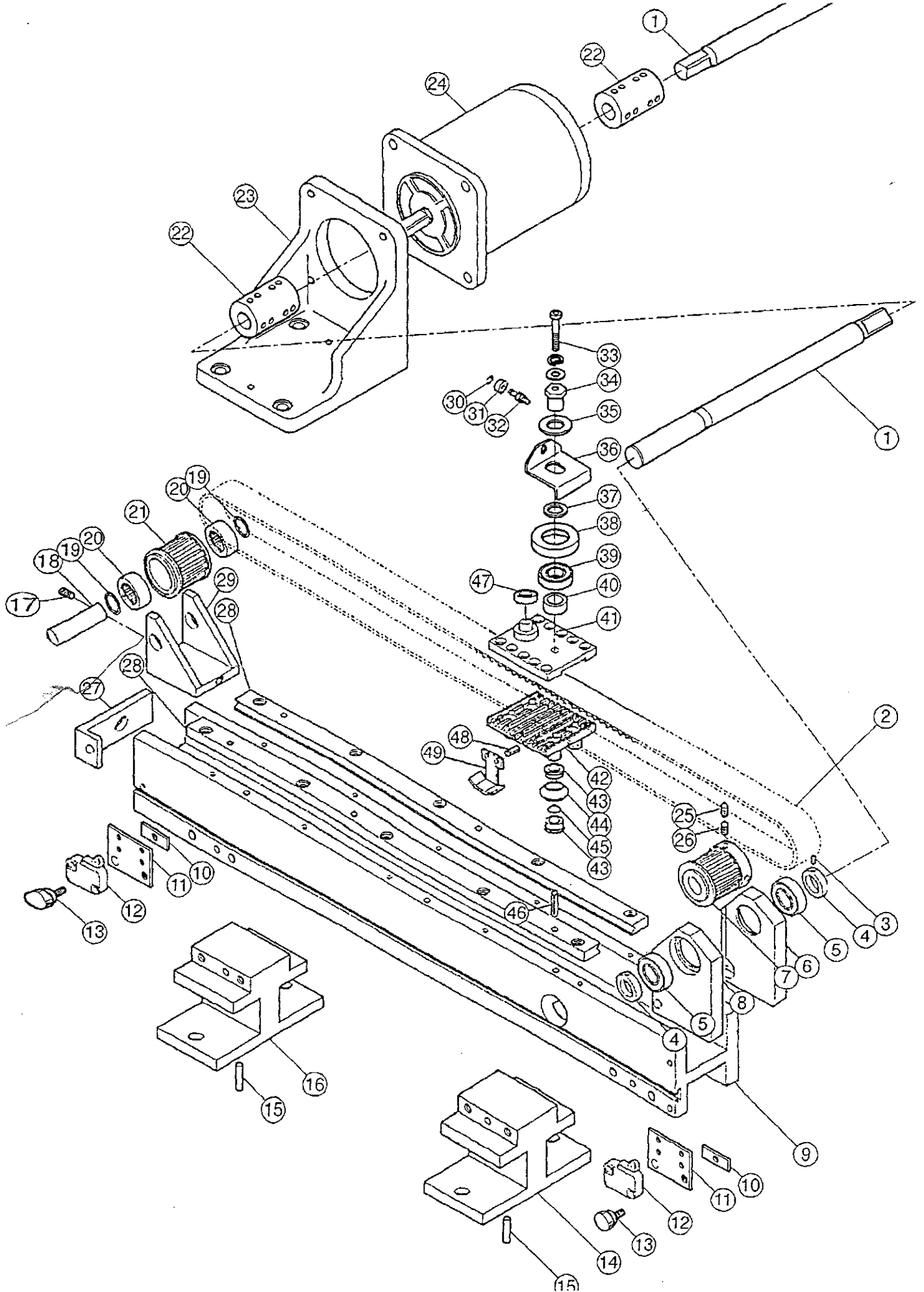
11.0



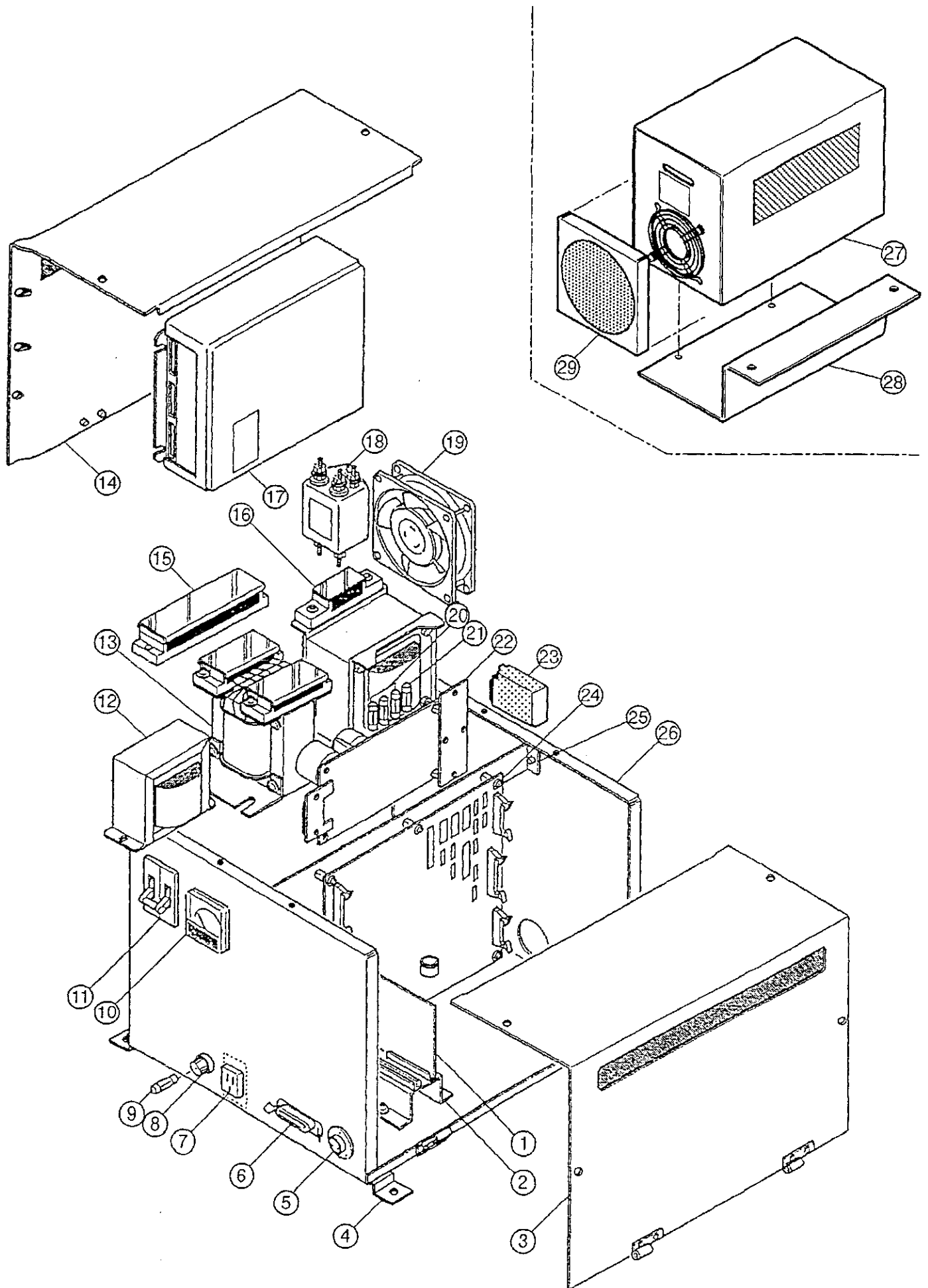
組	指図	部品番号		S8C3817
Ass'y	El't	PARTS No.	PARTS NAMES	NOTE / 備考
	1	SF420050	Thread guide support pillar	
	2	SF420030	Thread stand plate (for 8 needle)	
	3	SF420020	Thread stand bracket (for 8 needle)	
	4	SF420060	Fixing base for thread stand bracket	
	5	M0483220	Thread detecting board	
	6	M0416031	Bracket for thread detecting board	
	7	M0416140	Thread tension bracket (for 8 needle)	
	8	M0416251	Lower thread guide B (for 8 needle)	
	9	M0416260	Upper thread guide	
	10	M0416211	Thread tension ass'y	
	11	M0416122	Thread guide unit	
	12	SF420041	Thread guide base (for 8 needle)	
	13	M0445080	Eyelet	
	14	MPR00110	SE-ring (SE-7)	
	15	M0420040	Felt ring (Large)	
	16	M0420050	Felt ring (Small)	
	17	MPZ00340	Plastic spring	
	18	M0420032	Spool pin	
	19	M0420890	Washer	
	20	MPZ00190	Hole cover	
	21	SF420010	Tension box (for 8 needle)	
	22	M0416074	Thread guide base (for 8 needle)	
	23	M0416230	Lower thread guide A (for 8 needle)	
11*	24	MPZ00960	Tension nut	
11*	25	MPZ00280	Spring guide	
11*	26	M0416111	Spring	
11*	27	MPZ00220	Disc	
11*	28	M0418210	Tension shaft	
11*	29	MPZ00200	Tension guide plate	
	30	NA04000A	Nut (M4)	
10*	31	SS04005A	Set screw (M4x5)	
10*	32	M0416170	Cylinder cover	
	33	M0416160	Detecting pin	
10*	34	M0416183	Thread check spring	
10*	35	MPZ00250	Tension shaft	
10*	36	M0416191	Isolation disc (Gray)	
10*	37	M0416201	Felt (Gray)	
10*	38	MPZ00260	Rotary tension disc	
10*	39	MPZ00270	Holder (Black)	
10*	40	M0416111	Spring	
10*	41	MPZ00280	Spring guide	
10*	42	MPZ00290	Knob nut (Black)	



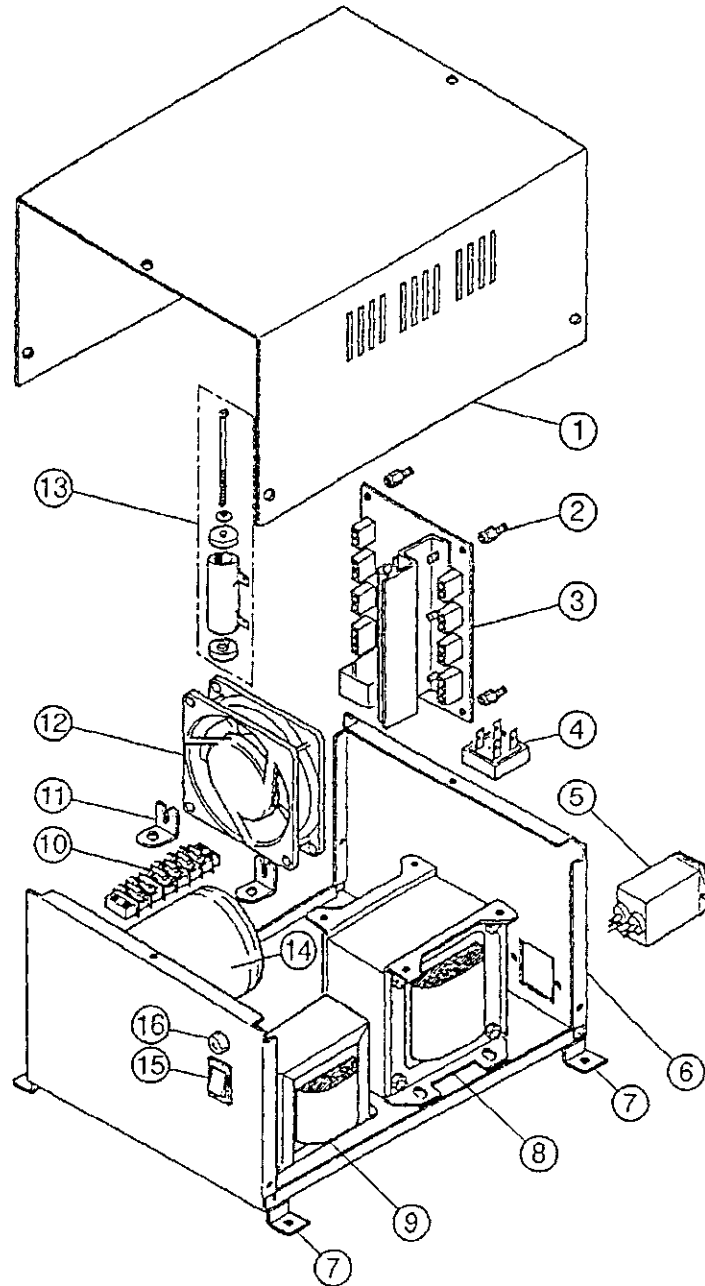
組 Ass'y	指図 E/I	部品番号 PARTS No.	PARTS NAMES	S8C3817 NOTE / 備考
		1	CS503000	Motor cover
		2	CS524010	X carriage drive shaft
		3	MPV00430	X timing belt
		4	SS04005A	Set screw (M4x5)
		5	M0424110	Drive shaft collar
		6	MPB00270	Bearing (6903ZZ)
		7	M0424121	Drive shaft support (right)
		8	M0424140	Drive pulley
		9	M0424131	Drive shaft support (left)
		10	M0451080	Embroidery range sticker for carriage
		11	SF424030	X rail base
		12	M0424210	Fixing nut
		13	M0424221	Limit switch plate
		14	EPS00010	Micro switch
		15	MPZ00990	Thumb knob
		16	SF424010	Supporting base (1)
		17	-	Knock pin (5x25)
		18	SF424020	Supporting base (2)
		19	M0424231	Limit switch plate 2
		20	SS03006A	Set screw (M3x6)
		21	M0424180	Idler shaft
		22	M0424160	Spacer
		23	MPB00280	Needle bearing (HK1210)
		24	M0424171	Idler pulley
		25	SF424150	Coupling
		26	EPM00210	Pulse motor
		27	CS502090	Stay
		28	CS524020	Cam follower base
		29	SG06006A	Set screw (flat tipped M6x6)
		30	SS06006A	Set screw (M6x6)
		31	M0424062	Holding plate
		32	MPB00260	Bearing with flange (LF-1280ZZ)
		33	M0424070	Roller
		34	M0424080	Roller spacer
		35	-	Spring pin (4x20)
		36	M0424201	Tension bracket
		37	M0425000	X rail with V groove
		38	M0424190	X idler pulley support
		39	MPR00230	E-ring
		40	M0425160	Small roller
		41	M0425150	X small roller shaft
		42	SC04030D	Cap screw (M4x30)
		43	M0426081	Roller support B (eccentric)
		44	WA10000D	Washer (M10)
		45	HX124010	Roller support fixture
		46	HX124090	Spacer
		47	HX124100	Bearing roller
		48	MPB00560	Bearing (6900ZZ)
		49	HX124040	Collar
		50	MPB00250	Bearing (L-1680ZZ)
		51	M0424002	X cam follower shaft
		52	-	Roll bushing spacer
		53	M0424050	Limit switch dog



組 Ass'y	指図 E'l't	部品番号 PARTS No.	PARTS NAMES	S8C3818 NOTE / 備考
	1	CS524040	Y carriage drive shaft	
	2	MPV00380	Y timing belt	
	3	SS04005A	Set screw (M4x5)	
	4	M0424110	Drive shaft collar	
	5	MPB00270	Bearing (6903ZZ)	
	6	M0424121	Drive shaft support (right)	
	7	M0424140	Drive pulley	
	8	M0424131	Drive shaft support (left)	
	9	CS524030	Y rail base	
	10	M0424210	Fixing nut	
	11	M0424221	Limit switch plate	
	12	EPS00010	Micro switch	
	13	MPZ00990	Thumb knob	
	14	SF424010	Supporting base (1)	
	15	-	Knock pin (5x25)	
	16	SF424020	Supporting base (2)	
	17	SS03006A	Set screw (M3x6)	
	18	M0424180	Idler shaft	
	19	M0424160	Spacer	
	20	MPB00280	Needle bearing (HK1210)	
	21	M0424171	Idler pulley	
	22	SF424150	Coupling	
	23	CS524050	Pulse motor bracket	
	24	EPM00210	Pulse motor	
	25	SG06006A	Set screw (flat tipped M6x6)	
	26	SS06006A	Set screw (M6x6)	
	27	M0424201	Tension bracket	
	28	M0424531	Y rail with V groove	
	29	M0424190	X idler pulley support	
	30	MPR00230	E-ring	
	31	M0425160	Small roller	
	32	M0425150	X small roller shaft	
	33	SC04030D	Cap screw (M4x30)	
	34	M0426081	Roller support B (eccentric)	
	35	WA10000D	Washer (M10)	
	36	HX124010	Roller support fixture	
	37	HX124090	Spacer	
	38	HX124100	Bearing roller	
	39	MPB00560	Bearing (6900ZZ)	
	40	HX124040	Coilar	
	41	CS524070	Fixing plate ass'y for belt	
	42	M0424062	Holding plate ass'y for belt	
	43	MPB00260	Bearing with flange (LF-1280ZZ)	
	44	M0424070	Roller	
	45	M0424080	Roller spacer	
	46	-	Spring pin (4x20)	
	47	MPB00250	Bearing (L-1680ZZ)	
	48	-	Roll bushing spacer	
	49	M0424050	Limit switch dog	



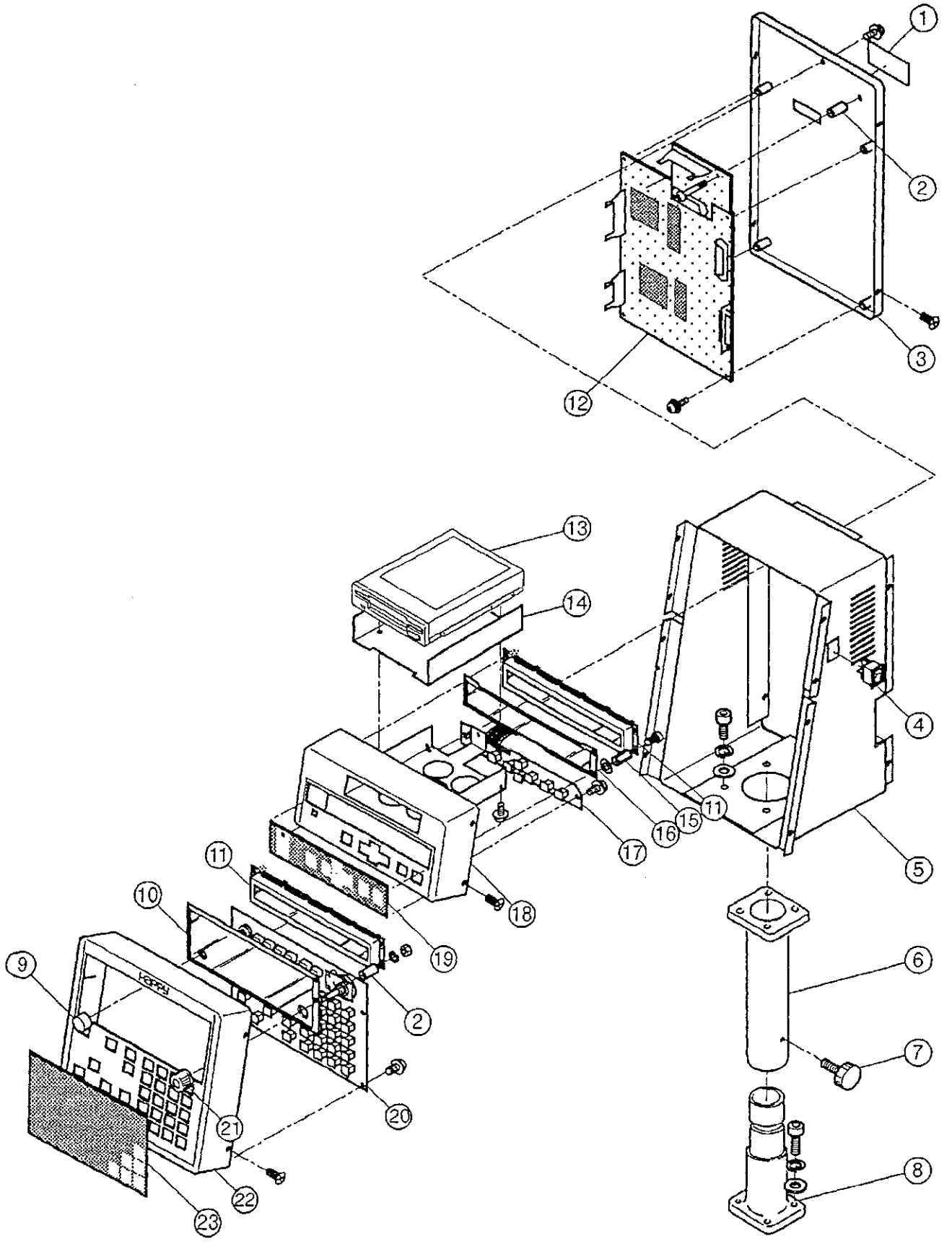
組 Assy	指図 Elt	部品番号 PARTS No.	PARTS NAMES	S8C3819 NOTE / 備考
	1	M0427070	Memory board	
	2	SF427030	Memory board bracket	
	3	SF427040	Main unit side cover (right)	
	4	SF427060	Main unit base	
	5	VEPJ00580	Power supply terminal for reader	
	6	VEPJ00540	Communication terminal for reader	
	7	SF427120	Outlet (with fram)	
	8	EPF00070	Fuse holder	
	9	EPF00190	Fuse (3A)	
	10	EPK00080	Voltmeter	
	11	EPK00180	Circuit protector	
	12	EPK00170	Transformer	
	13	EPK00160	Transformer	
	14	SF427050	Main unit side cover (left)	
	15	EPF00060	Terminal base	
	16	EPK00150	Transformer	
	17	EPM00250	Inverter	
	18	EPK00470	Noise filter	
	19	EPK00130	Fan	
	20	EPF00150	Fuse (2A)	
	21	EPF00140	Fuse (1A)	
	22	SF527050	Power supply board	
	23	EPK00440	Switching power supply	
	24	SF427100	W-CPU board	
	25	SF427020	Bracket for W-CPU board	
	26	SF427010	Main unit body	
	27	EPM00190	Pulse motor driver	
	28	CS524090	Driver bracket	
	29	SF424160	Air filter	



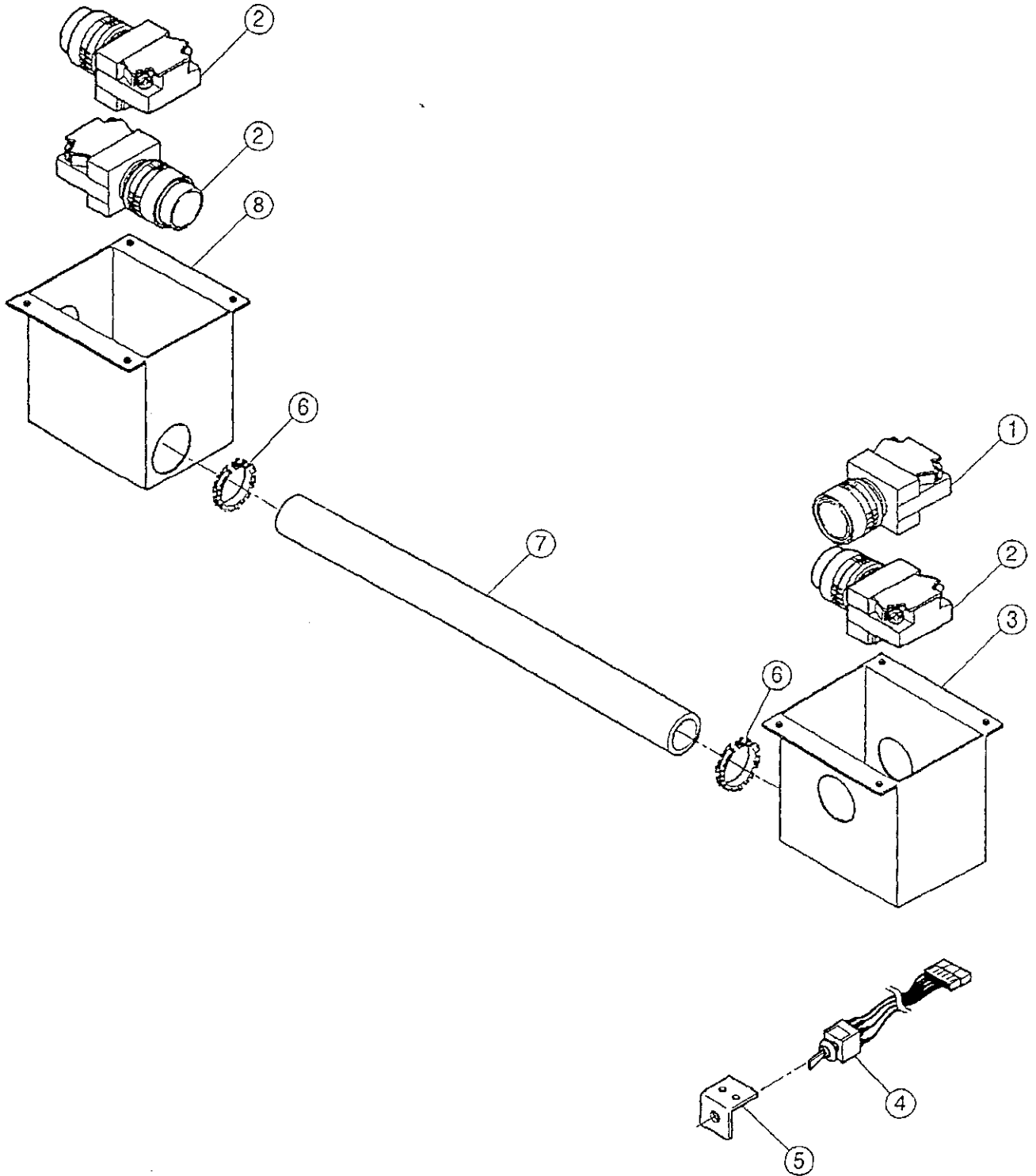
HAPPY THREAD CATCH DRIVER

14.3

組 Assy	指図 Elt	部品番号 PARTS No.	PARTS NAMES	S843623 NOTE / 備考
	1	SF427080	Thread catch driver cover	
	2	MPZ00370	Stud (M3x10)	
	3	M0427090	Thread catch circuit board	
	4	EPD00010	Diode stack	
	5	EPK00090	Noise filter	
	6	SF427070	Thread catch driver body	
	7	SF427090	Thread catch driver base	
	8	EPK00200	Transformer	
	9	EPK00210	Transformer	
	10	EPF00080	Terminal	
	11	EPN00020	Metal fixtures	
	12	EPK00130	Fan	
	13	EPR00010	Hollow resistor	
	14	EPC00010	Electrolytic condenser	
	15	EPS00020	Switch	
	16	EPP00040	Neon tube	



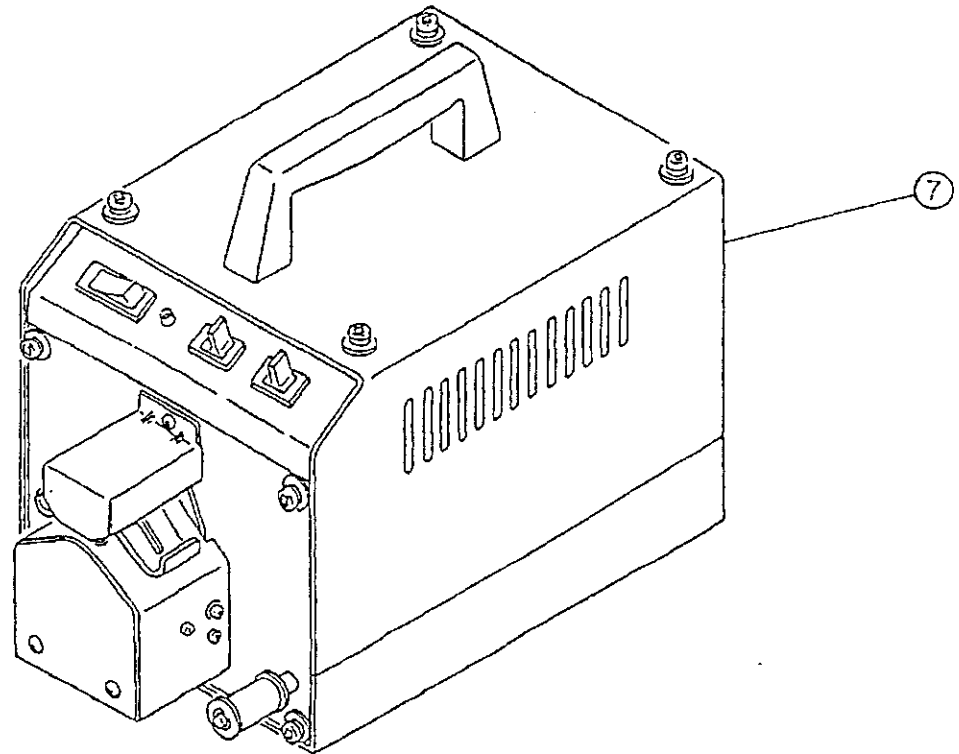
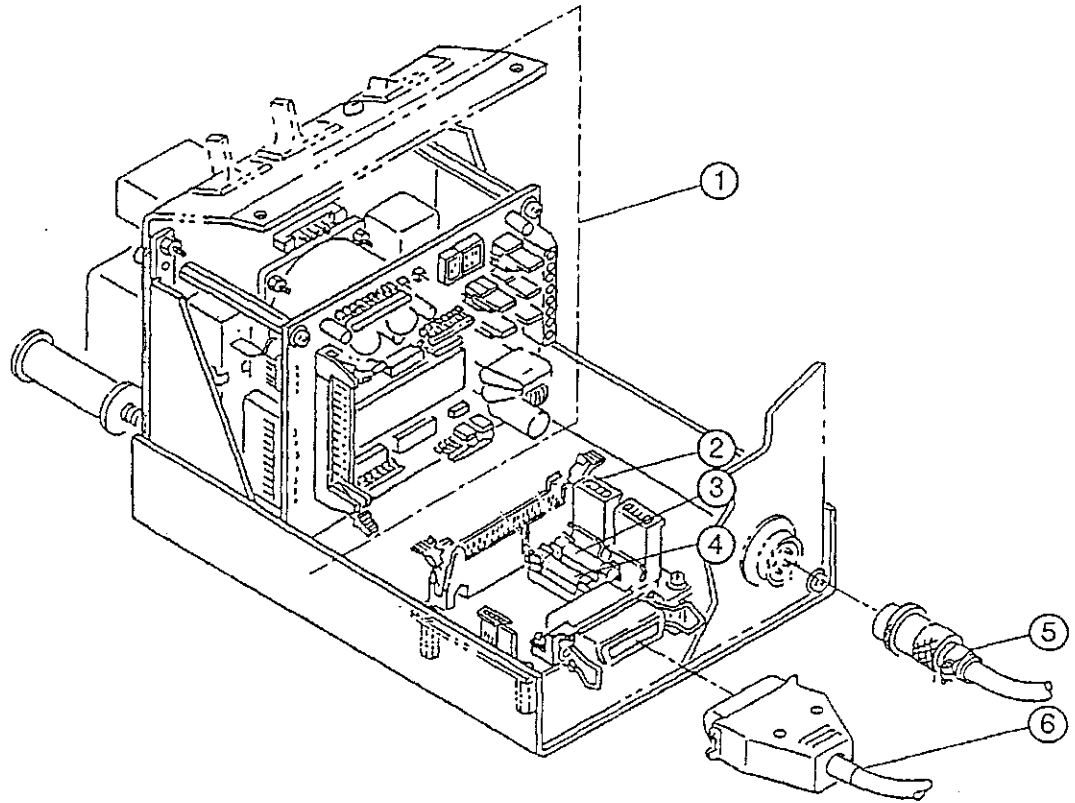
組 Assy	指図 E/I	部品番号 PARTS No.	PARTS NAMES	S843624 NOTE / 備考
	1	-	DIP switch setting list for disk drive	
	2	MPZ00360	Spacer	
	3	SF529041	Rear panel	
	4	EPS00480	Switch	
	5	SF529012	Main body	
	6	SF529090	Pillar (A)	
	7	-	Thumb screw	
	8	SF529100	Pillar (B)	
20*	9	-	Switch top	
	10	SF429020	Acrylic panel for control panel	
	11	SF429090	Liquid crystal display	
	12	M0429331	FDC circuit board	
	13	EPZ00210	Disk drive unit	
	14	M0429360	Insulation plate	
	15	-	Stud (M3x10)	
	16	SF529080	Acrylic panel for disk drive	
	17	M0429350	Switch board for disk drive	
	18	SF529022	Front panel for disk drive	
	19	M0429310	Switch sheet for disk drive	
	20	SF429100	Switch board	
20*	21	-	Speed adjustment knob	
	22	SF529051	Front panel	
	23	SF429030	Switch sheet	



HAPPY BAR SWITCH

16.1

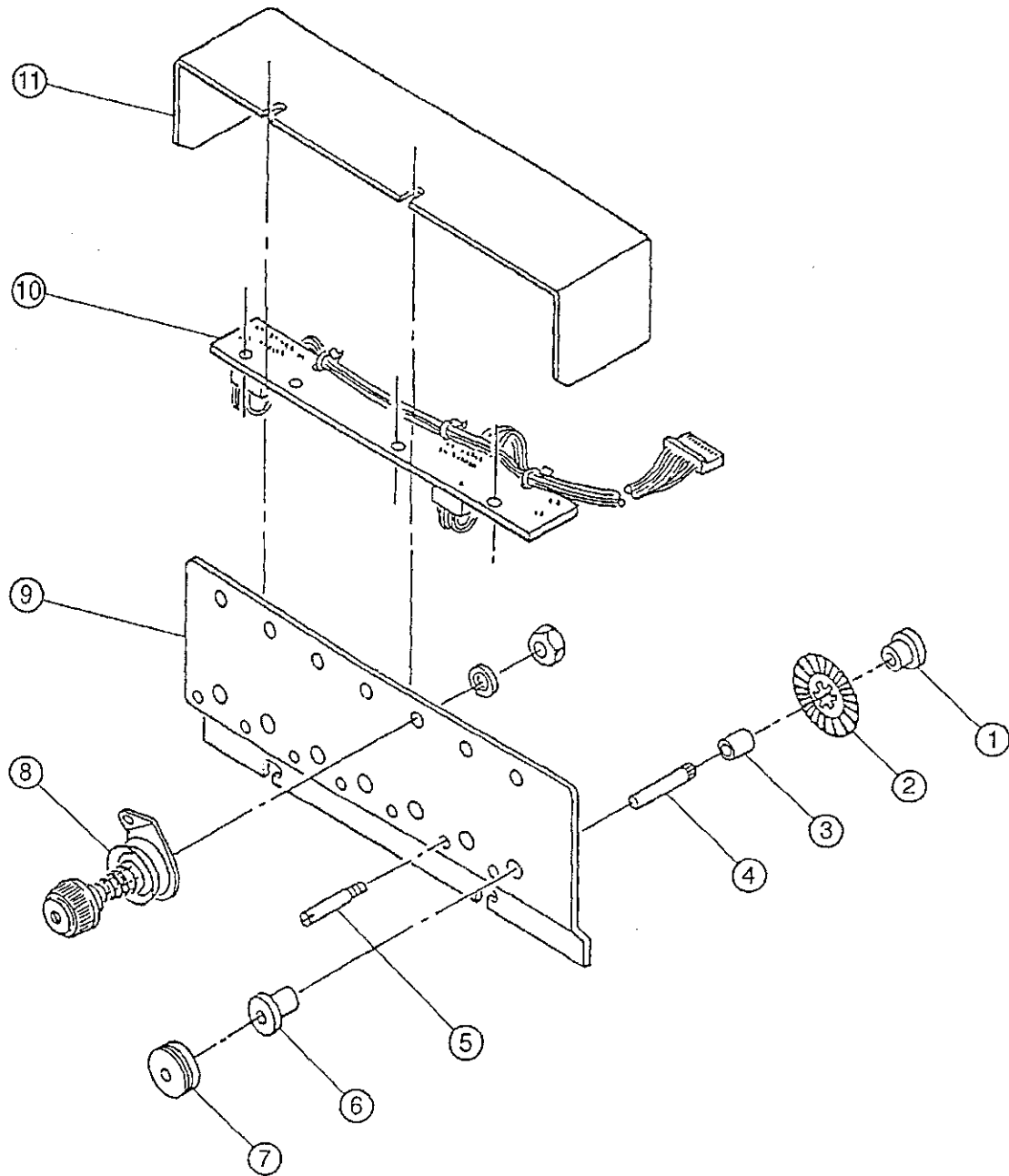
組 Ass'y	指図 Elt	部品番号 PARTS No.	PARTS NAMES	S8C3819 NOTE / 備考
	1	EPS00030	Switch	
	2	EPS00040	Switch	
	3	SF435020	Bar switch box (right)	
	4	-	Change-over switch ass'y	
	5	CS530180	Change-over switch bracket	
	6	EPN00010	Flexible bushing	
	7	CS435020	Switch bar	
	8	SF435010	Bar switch box (left)	



HAPPY TAPE READER

17.1

組	指図	部品番号		S843624
Ass'y	El't	PARTS No.	PARTS NAMES	NOTE / 備考
	1	EPK00120	Read unit	
	2	M0436021	Leader connector board	
	3	EPF00140	Fuse (1A)	
	4	EPF00150	Fuse (2A)	
	5	M0470891	Power supply cord for reader	
	6	M0470900	Communication cord for reader	
	7	M0436010	Tape rader ass'y	



組 Ass'y	指図 E/t	部品番号 PARTS No.	PARTS NAMES	S843624 NOTE / 備考
	1	MPZ00350	Eyelet	
	2	M0445060	Slit disc	
	3	MPZ00360	Spacer	
	4	M0445070	Detecting roller shaft	
	5	M0445102	Detecting roller to bring up thread	
	6	M0445080	Support for detecting roller shaft	
	7	M0445092	Detecting roller	
	8	M0416122	Thread guide unit	
	9	M0445043	Fixing plate (for 8 needle)	
	10	M0445030	Detecting board (for 8 needle)	
	11	M0445003	Cover for fixing plate (for 8 needle)	



HAPPY

HAPPY Industrial Corporation

HEAD OFFICE 5-9-16, Miyamachi, Yamagata-city 990, Japan
Phone: 0236-23-7111 FAX: 0236-23-2654

TOKYO OFFICE 2-9-5, Taito, Taito-Ku, Tokyo 110, Japan
Phone: 03-3834-0711 Telex: 265-5482
FAX: 03-3835-8917 Cable: HAPPYSEW TOKYO

HAPPY INDUSTRIAL GmbH Am Kummerling, 10-12
6501 Bodenheim am Rhein
Germany
Phone: 06135-8101 FAX. 0211-161630

Model	
Machine No.	

1993.08.19