

# HCM

MULTI-HEAD ELECTRONIC EMBROIDERY MACHINE

## PARTS LIST

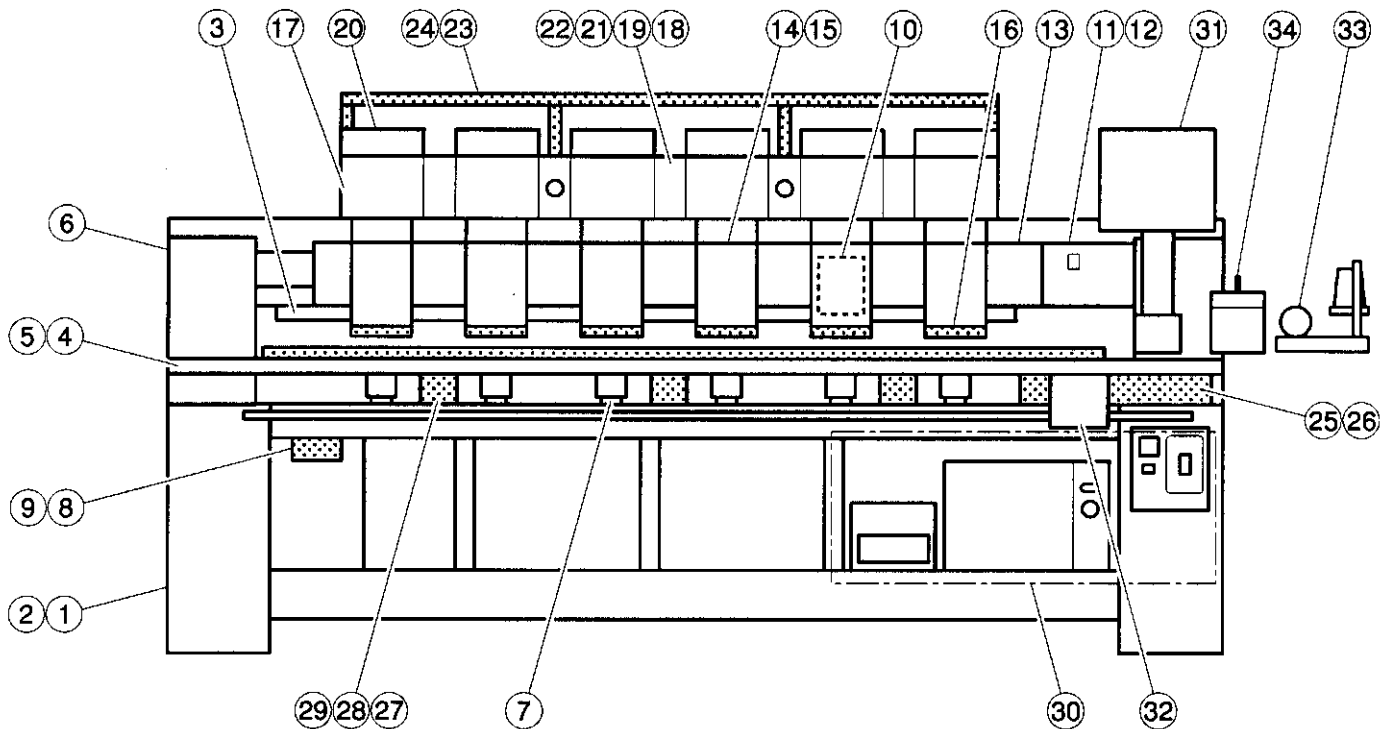
パーツリスト



HAPPY

2003.10.17s

## INDEX

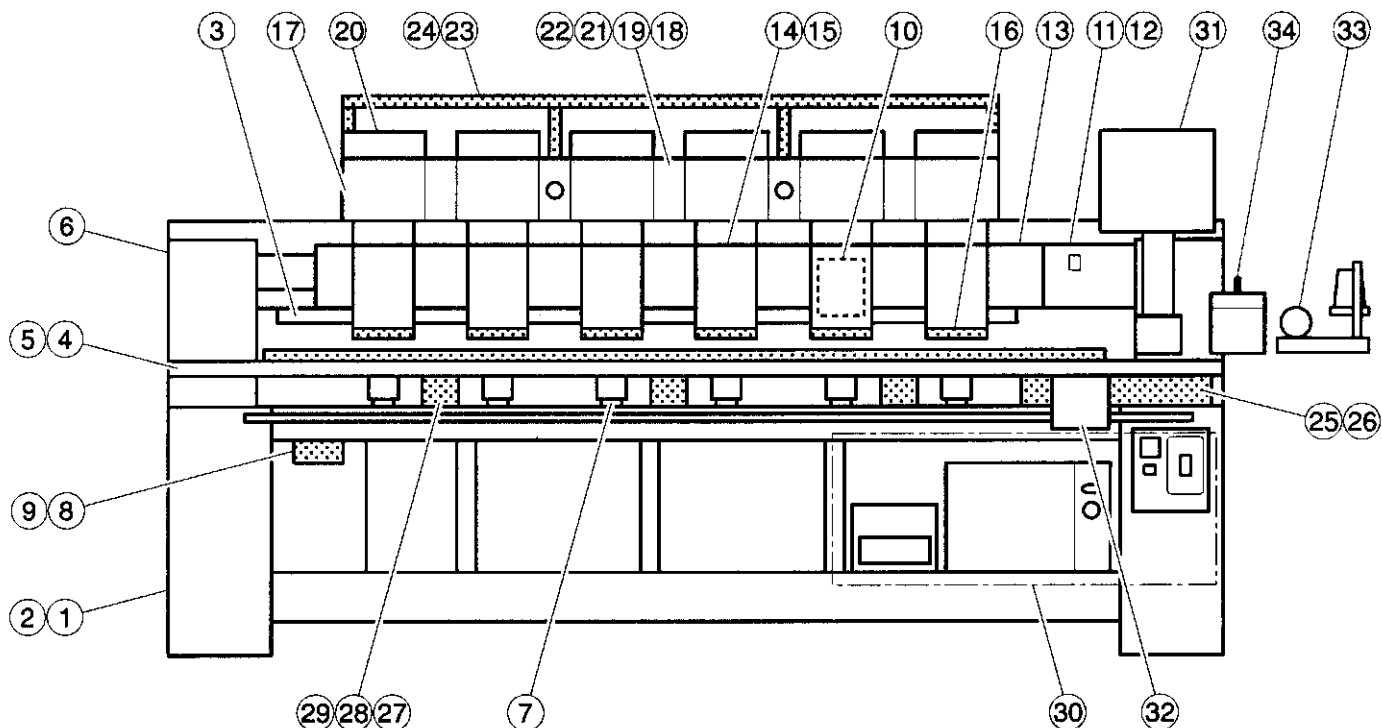


FRAME	1a
FRAME (PARTS BY MODEL)	2a
ILLUMINATOR	3a
TABLE 1	4a
TABLE 2	4b
TABLE 1 (PARTS BY MODEL)	5a
TABLE 2 (PARTS BY MODEL)	5b
SUPPORT BOX LEFT	6a
BED 1	7a
BED 2	7b
BED 3	7c
THREAD CUT ACTUATION UNIT	8a
THREAD CUT ACTUATION UNIT (PARTS BY MODEL)	9a
FIXED HEAD 1	10a
FIXED HEAD 2	10b
FIXED HEAD (PARTS BY MODEL)	10c
NEEDLE BAR CHANGE UNIT	11a
NEEDLE BAR CHANGE UNIT (PARTS BY MODEL)	12a
DETECTING UNIT	13a
MOVING HEAD 1	14a
MOVING HEAD 2	14b
DETECTING UNIT / MOVING HEAD (PARTS BY MODEL)	15a
THREAD CATCHER	16a
THREAD TENSION UNIT	17a
THREAD TENSION / THREAD STAND (UNIT BY MODEL)	18a
THREAD TENSION COVER A	18b
THREAD TENSION COVER B	18c
THREAD TENSION COVER C	18d
THREAD TENSION COVER D	18e
THREAD TENSION COVER (PARTS BY MODEL)	19a
ROTARY TYPE THREAD BREAK DETECTING DEVICE (OPTION)	20a

※ Specifications are subject to change without notice.

※ When you place parts orders, please state machine model (example : HCM-812-48T), machine number and if machine is with option (example : jumbo hook) or not.

## INDEX



THREAD STAND BASE A	21a
THREAD STAND BASE B	21b
THREAD STAND BASE C	21c
THREAD STAND BASE D	21d
THREAD STAND BASE E	21e
REAR COVER (PARTS BY MODEL)	22a
DUCT (PARTS BY MODEL)	22c
REAR COVER (PARTS BY MODEL)	22d
DUCT (PARTS BY MODEL)	22e
THREAD STAND A	23a
THREAD STAND B	23b
THREAD STAND A (PARTS BY MODEL)	24a
THREAD STAND B (PARTS BY MODEL)	24b
CARRIAGE (UNIT BY MODEL)	25a
X CARRIAGE A	25b
X CARRIAGE B1	25c
X CARRIAGE B2	25d
X CARRIAGE (PARTS BY MODEL)	26a
Y CARRIAGE 1	27a
Y CARRIAGE 2	27b
Y CARRIAGE DRIVE SHAFT A	28a
Y CARRIAGE DRIVE SHAFT C	28c
Y CARRIAGE DRIVE SHAFT A (PARTS BY MODEL)	29a
Y CARRIAGE DRIVE SHAFT C (PARTS BY MODEL)	29c
EACH UNIT	30a
CONTROL BOX	31a
BAR SWITCH	32a
BOBBIN WINDER	33a
CAP FRAME (DRIVE FRAME) (OPTION)	35a
CAP FRAME (HOLD FRAME) (OPTION)	35b
CAP FRAME (CAP STRETCHER) (OPTION)	35c

※ Specifications are subject to change without notice.

※ When you place parts orders, please state machine model (example : HCM-812-48T), machine number and if machine is with option (example : jumbo hook) or not.

## EXPLANATION OF LIST 1

組 Ass'y	指図 Elt	部品番号 PARTS No.	PARTS NAMES
	9	HMF17870	Adjusting plate
11*	10	M0416186	Thread check spring
	11	HMF17840	Thread tension ass'y
	12	HMF17860	Thread tension lid
	31	<u>HCG08170</u>	Roller pin guide
	32	→10b	Jump solenoid ass'y (by model)
①	②	③	④

- ① This element number here is an assembly part number.  
It indicates that the part shown here is a component of an assembly part.
- ② It is the element number of this parts in illustrations.
- ③ It is parts number.
- ④ This parts is entered to other page of that mark "→" shows.

## EXPLANATION OF LIST 2 (PARTS BY MODEL)

In this parts list, we have parts followed by description of "(Parts by model)".  
These parts are carried in pages where "(Parts by model)" after unit name is described.

指図 / E'l't		45
PARTS NAMES		Beam
機種 MODEL	L 8 2 0	HMF00850
	L 7 2 0 A	HMF00890
	L 8 1 8	HMF00900
	L 8 1 6	HMF00910
	L 8 1 4	HMF00920
	L 1 0 1 2	HMF00820
	L 8 1 2	HMF00930
	W 1 0 1 5 - 7 8	HMF01050
	7 2 2	HMF01020

- ① It is the element number of this parts in illustrations.  
② This column shows machine model.  
③ This column shows parts number related to machine model.  
(Example. Parts number of "Beam" for L820 → HMF00850)

## EXPLANATION OF LIST 3 (UNIT BY MODEL)

Several types of unit are available by difference of component parts and function.

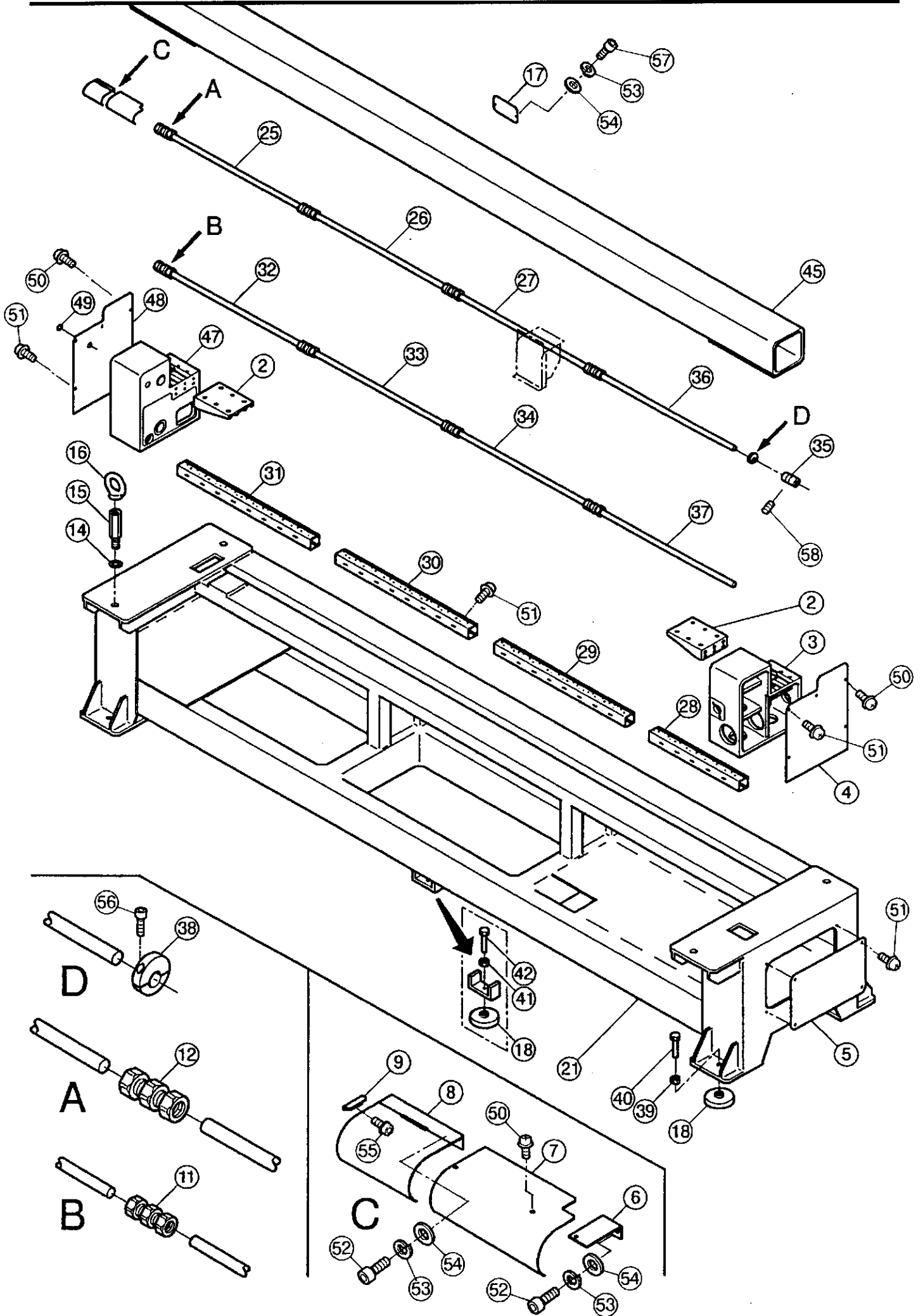
Unit is different by machine model.

You will see relation between machine model and type of unit by description of "(unit by model)" after unit name in index.

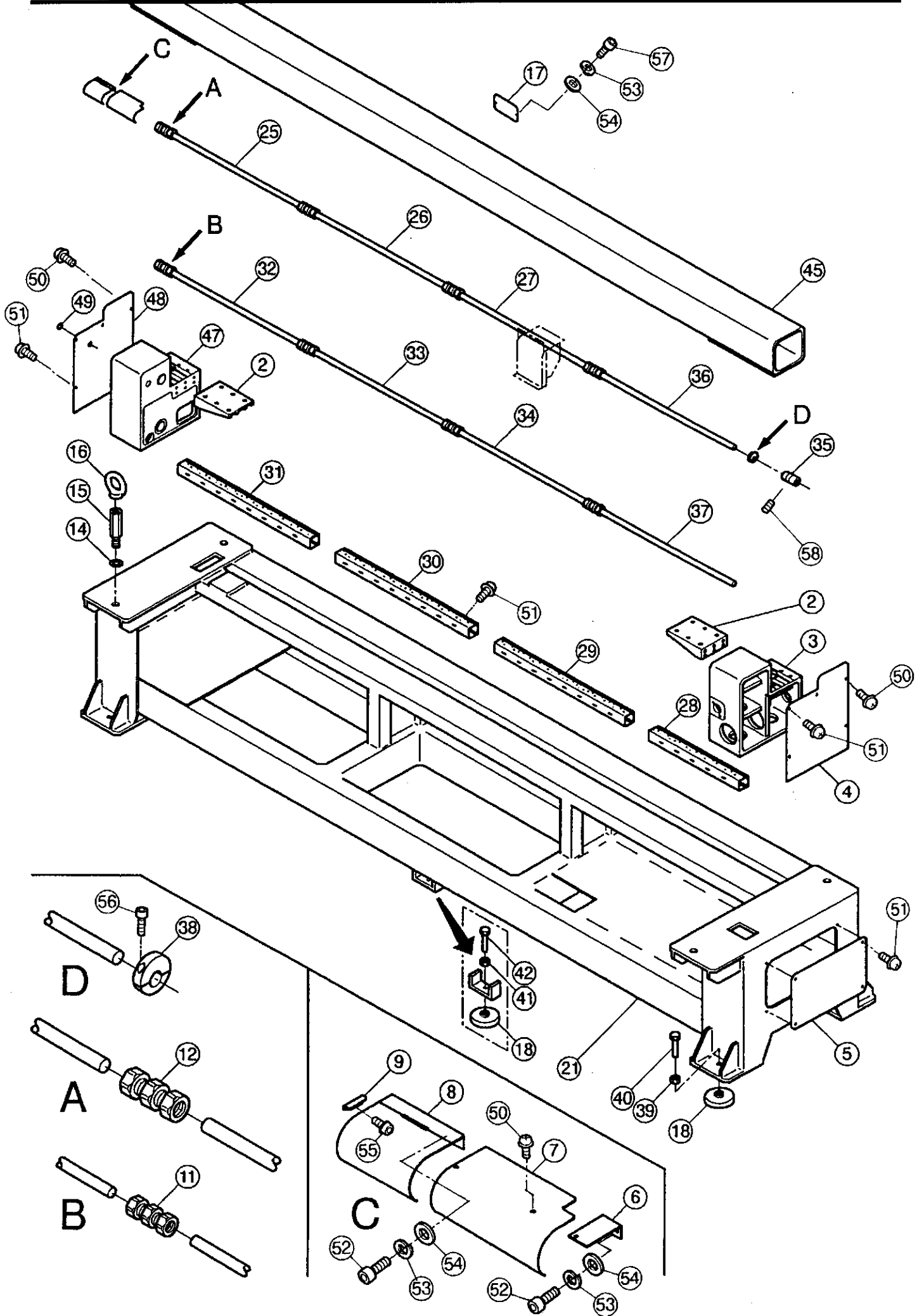
When you need some type of unit, check type of unit for your machine and refer to page for unit and type.

指図 / E'l't			
UNIT NAMES		Thread tension cover	Thread stand base
機種 MODEL	L 8 2 0	A	A
	L 7 2 0 A	A	A
	L 8 1 8	A	A
	L 8 1 6	A	A
	L 8 1 4	A	A
	L 1 0 1 2	C	C
	W 1 2 1 5	C	E
	W 1 0 1 5	C	C
	7 2 2	A	A

- ① This column shows machine model.  
② This column shows type of unit related to machine model.

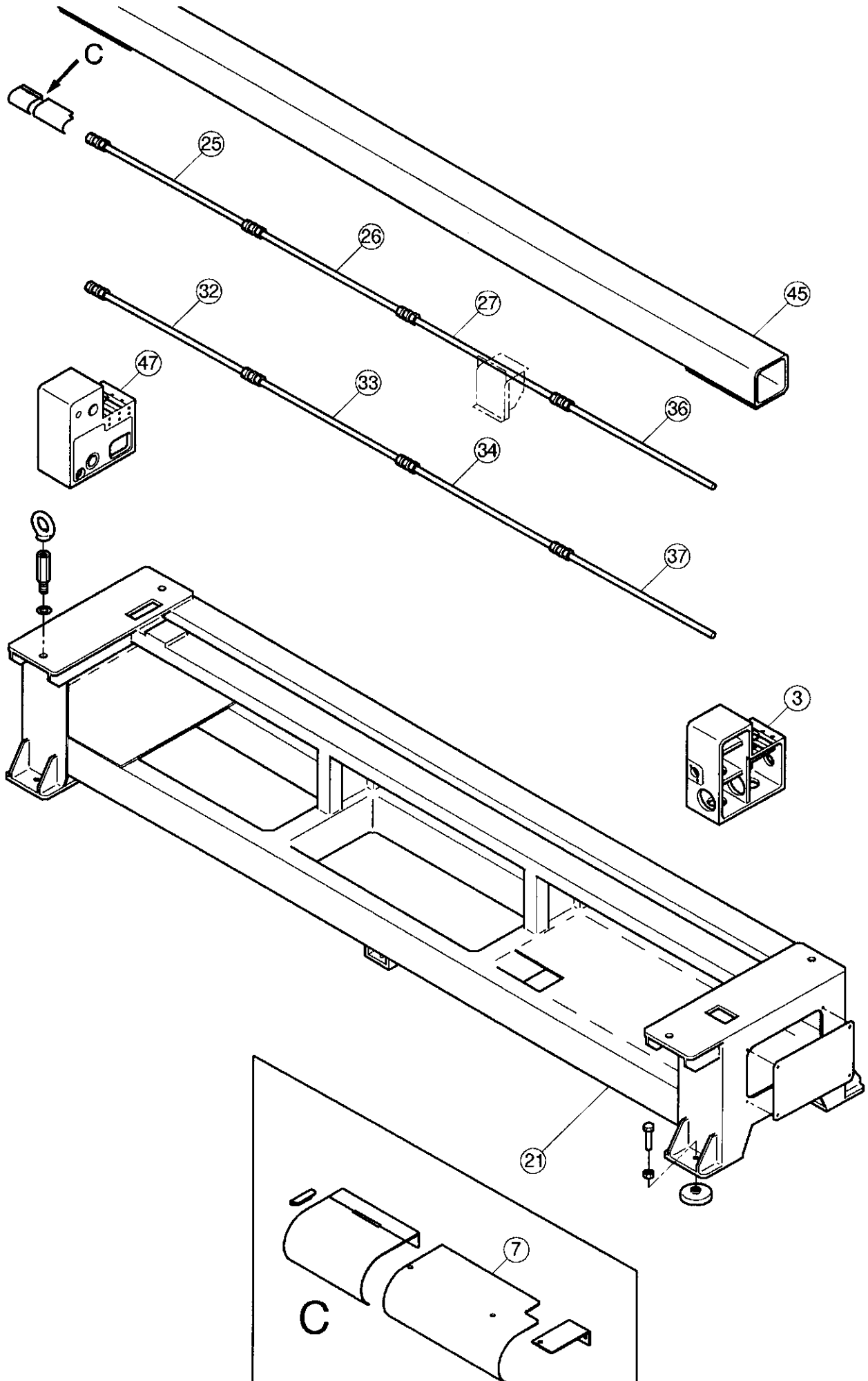


組 Ass'y	指図 El't	部品番号 PARTS No.	PARTS NAMES	CM9B10 NOTE / 備考
	2	HMF02070	Arm	
	3	→2a	Support box, right (by model)	
	4	HMF02062	Cover right	
	4	HMF02310	Cover right (for 1212X-48, 1012-48, 812-48 type)	
	4	HMF02310	Cover right (for 1216-36, 1016-36, 816-36 type)	
	5	M0400081	Cover plate for frame	
	6	HMF13150	Bracket for shaft cover	
	7	→2a	Shaft cover left (by model)	
	8	HMF13161	Shaft cover left (1) ass'y	
	8	HMF13470	Shaft cover left (2) ass'y (for 1216-36, 1212-30, 1212N-30, 1212-36 type)	
	9	HMF13272	Shaft cover support	
	11	MPC00010	N-coupling (15-15)	
	12	MPC00020	N-coupling (20-20)	
	14	MPB00460	Thrust washer (TW3060)	
	15	M0400020	Stud bolt	
	15	HCM00354	Hoisting bolt pillar (for 1212X-48, 1012-48, 812-48 type)	
	15	HCM00354	Hoisting bolt pillar (for 1216-36, 1016-36, 816-36 type)	
	16	M0400010	Hoisting bolt	
	16	MPZ01590	Hoisting bolt (for 1212X-48, 1012-48, 812-48 type)	
	16	MPZ01590	Hoisting bolt (for 1216-36, 1016-36, 816-36 type)	
	17	HMF00180	Cover	
	18	M0400032	Block base	
	21	→2a	Frame (by model)	
	25	→2a	Upper shaft 1 (by model)	
	26	→2a	Upper shaft 2 (by model)	
	27	→2a	Upper shaft 3 (by model)	
	28	HMF00170	Duct E (for 1212X-48, 1012-48, 812-48 type)	
	28	HMF00130	Duct A (for 806-48 type)	
	28	HMF00150	Duct C (for 804-48 type)	
	29	HCM00120	Duct A (for 1212X-48, 1012-48, 812-48, 804-48 type)	
	29	HMF00150	Duct C (for 806-48 type)	
	30	HCM00120	Duct A (for 1212X-48, 1012-48, 812-48, 806-48 type)	
	31	HCM00120	Duct A (for 1212X-48, 1012-48, 812-48 type)	
	32	→2a	Lower shaft 1 (by model)	
	33	→2a	Lower shaft 2 (by model)	
	34	→2a	Lower shaft 3 (by model)	
	35	M0402130	Upper shaft grip	
	36	→2a	Upper shaft 4 (by model)	
	37	→2a	Lower shaft 4 (by model)	
	38	HMF02341	Balancer (for 1212X-48, 1012-48, 812-48 type)	
	38	HMF02341	Balancer (for 1216-36, 1016-36, 816-36 type)	
	39	NHAB20000	Hexagon nut (M20)	
	40	SHBB20050	Hexagon head bolt (M20x50)	
	41	NHAB16000	Hexagon nut (M16)	
	42	SHBB16050	Hexagon head bolt (M16x50)	
	45	→2a	Beam (by model)	
	47	→2a	Support box, left (by model)	
	48	HCM02291	Cover left (for Y480)	
	48	HCM02271	Cover left (for 1212X-48, 1012-48, 812-48 type)	
	48	HCM02165	Cover left (for Y300, Y360)	
	48	HCM02281	Cover left (for 1216-36, 1016-36, 816-36 type)	
	49	M0408150	Rubber cap (small)	



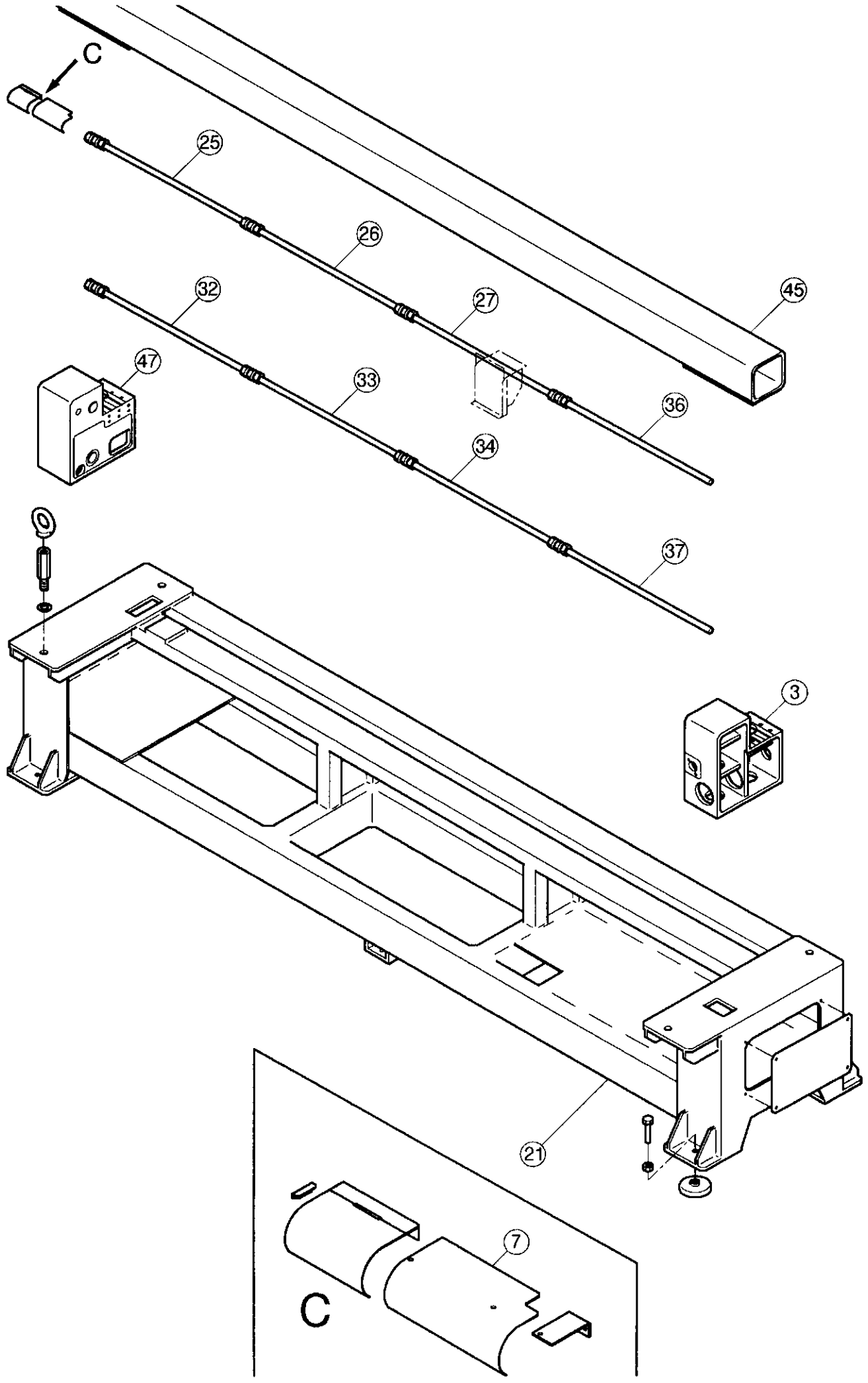


組 Ass'y	指図 Elt	部品番号 PARTS No.	PARTS NAMES	MF9A30s NOTE / 備考
	50	SPDB04008	Pan head screw (cross recessed, M4x8)	
	51	SPDB05008	Pan head screw (cross recessed, M5x8)	
	52	SCAA06012	Hexagon socket head cap screw (M6x12)	
	53	WSAA06000	Spring lock washer (M6)	
	54	WPAA06000	Plain washer (M6)	
	55	SCBA04008	Hexagon socket head cap screw with flange (M4x8)	
	56	SCCA04020	Hexagon socket head cap screw (M4x20)	
	57	SCAA06015	Hexagon socket head cap screw (M6x15)	
	58	SSAA06010	Hexagon socket set screw (M6x10)	



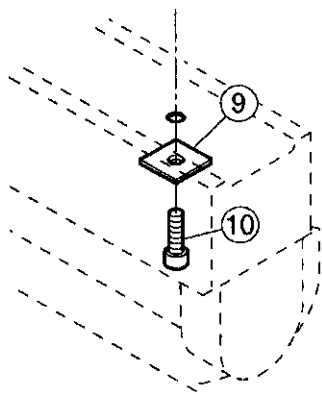
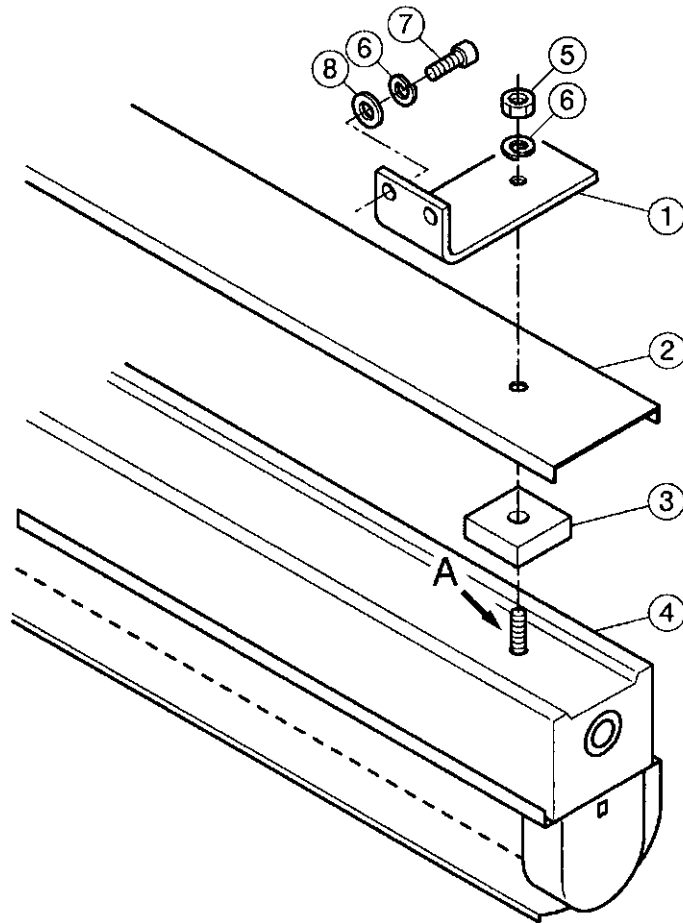
指図 / EIt PARTS NAMES		3 Support box, right for standard hook	3 Support box, right for jumbo hook	47 Support box, left for standard hook	47 Support box, left for jumbo hook
機種 MODEL	1 2 1 2 X-4 8	HMF02022	-	HCM02134	-
	1 0 1 2-4 8	HMF02022	HMF02042	HCM02134	HCM02014
	8 1 2-4 8	HMF02022	HMF02042	HCM02134	HCM02014
	8 0 6-4 8	-	HCM02201	-	HCM02193
	8 0 4-4 8	HCM02221	HCM02201	HCM02213	HCM02193
	7 2 0-3 0	HMF02022	-	HCM02134	-
	7 2 0 N-3 0	HMF02022	-	HCM02134	-
	1 2 1 2-3 0	HMF02022	-	HCM02134	-
	1 2 1 2 N-3 0	HMF02022	-	HCM02134	-
	1 0 1 2-3 0	HMF02022	-	HCM02134	-
	1 0 1 2 N-3 0	HMF02022	-	HCM02134	-
	8 1 2-3 0	HMF02022	-	HCM02134	-
	8 1 2 N-3 0	HMF02022	-	HCM02134	-
	1 2 1 6-3 6	HMF02022	-	HCM02134	-
	1 0 1 6-3 6	HMF02022	-	HCM02134	-
	8 1 6-3 6	HMF02022	-	HCM02134	-
	1 2 1 2-3 6	HMF02022	-	HCM02134	-
	1 0 1 2-3 6	HMF02022	-	HCM02134	-
	8 1 2-3 6	HMF02022	-	HCM02134	-
	1 0 0 6-3 6	HCM02221	-	HCM02213	-
8 0 6-3 6	HCM02221	-	HCM02213	-	

指図 / EIt PARTS NAMES		45 Beam	7 Shaft cover (left)	21 Frame
機種 MODEL	1 2 1 2 X-4 8	HCM00660	HMF13200	HCM00670
	1 0 1 2-4 8	HCM00512	HCM13080	HCM00137
	8 1 2-4 8	HCM00630	HCM13080	HCM00137
	8 0 6-4 8	HCM00590	HCM13010	HCM00075
	8 0 4-4 8	HCM00580	HCM13010	HCM00025
	7 2 0-3 0	HCM00620	HMF13180	HCM00411
	7 2 0 N-3 0	HCM00620	HMF13180	HCM00287
	1 2 1 2-3 0	HCM00570	HCM13250	HCM00197
	1 2 1 2 N-3 0	HCM00570	HCM13250	HCM00540
	1 0 1 2-3 0	HCM00560	HCM13030	HCM00197
	1 0 1 2 N-3 0	HCM00560	HCM13030	HCM00540
	8 1 2-3 0	HCM00610	HCM13030	HCM00197
	8 1 2 N-3 0	HCM00610	HCM13030	HCM00540
	1 2 1 6-3 6	HCM00650	HCM13250	HCM00382
	1 0 1 6-3 6	HCM00522	HCM13030	HCM00382
	8 1 6-3 6	HCM00640	HCM13030	HCM00382
	1 2 1 2-3 6	HCM00570	HCM13250	HCM00197
	1 0 1 2-3 6	HCM00560	HCM13030	HCM00197
	8 1 2-3 6	HCM00610	HCM13030	HCM00197
	1 0 0 6-3 6	HCM00552	HCM13050	HCM00346
8 0 6-3 6	HCM00600	HCM13050	HCM00346	



	指図 / El't	25	26	27	36
	PARTS NAMES	Upper shaft 1	Upper shaft 2	Upper shaft 3	Upper shaft 4
機種 MODEL	1 2 1 2 X-4 8	M0408791	M0408811	HMF02180	M0408811
	1 0 1 2-4 8	M0408781	M0408811	M0408781	M0408811
	8 1 2-4 8	M0408781	M0408811	M0408781	M0408811
	8 0 6-4 8	M0408811	SF508000	M0408791	-
	8 0 4-4 8	M0408811	M0408791	-	-
	7 2 0-3 0	HMF02180	HCM02180	HMF02140	-
	7 2 0 N-3 0	HMF02180	HCM02180	HMF02140	-
	1 2 1 2-3 0	M0408801	M0408821	M0408811	-
	1 2 1 2 N-3 0	M0408801	M0408821	M0408811	-
	1 0 1 2-3 0	M0408801	M0408821	M0408811	-
	1 0 1 2 N-3 0	M0408801	M0408821	M0408811	-
	8 1 2-3 0	M0408801	M0408821	M0408811	-
	8 1 2 N-3 0	M0408801	M0408821	M0408811	-
	1 2 1 6-3 6	M0408781	M0409230	HMF02180	SF508000
	1 0 1 6-3 6	M0408781	M0409230	HMF02180	SF508000
	8 1 6-3 6	M0408781	M0409230	HMF02180	SF508000
	1 2 1 2-3 6	M0408801	M0408821	M0408811	-
	1 0 1 2-3 6	M0408801	M0408821	M0408811	-
	8 1 2-3 6	M0408801	M0408821	M0408811	-
	1 0 0 6-3 6	M0408801	M0408801	SF508000	-
8 0 6-3 6	M0408801	M0408801	SF508000	-	

	指図 / El't	32	33	34	37
	PARTS NAMES	Lower shaft 1	Lower shaft 2	Lower shaft 3	Lower shaft 4
機種 MODEL	1 2 1 2 X-4 8	M0404492	M0404482	M0404482	M0404472
	1 0 1 2-4 8	M0404492	M0404482	M0404462	HCM02080
	8 1 2-4 8	M0404492	M0404482	M0404462	HCM02080
	8 0 6-4 8	M0404452	M0404482	-	-
	8 0 4-4 8	M0404472	HCM02080	-	-
	7 2 0-3 0	M0404482	HCM02080	M0404492	M0404472
	7 2 0 N-3 0	M0404482	HCM02080	M0404492	M0404472
	1 2 1 2-3 0	M0404442	M0404452	-	-
	1 2 1 2 N-3 0	M0404442	M0404452	-	-
	1 0 1 2-3 0	M0404442	M0404452	-	-
	1 0 1 2 N-3 0	M0404442	M0404452	-	-
	8 1 2-3 0	M0404442	M0404452	-	-
	8 1 2 N-3 0	M0404442	M0404452	-	-
	1 2 1 6-3 6	M0404452	HCM02260	M0404452	-
	1 0 1 6-3 6	M0404452	HCM02260	M0404452	-
	8 1 6-3 6	M0404452	HCM02260	M0404452	-
	1 2 1 2-3 6	M0404442	M0404452	-	-
	1 0 1 2-3 6	M0404442	M0404452	-	-
	8 1 2-3 6	M0404442	M0404452	-	-
	1 0 0 6-3 6	M0404462	M0404472	-	-
8 0 6-3 6	M0404462	M0404472	-	-	

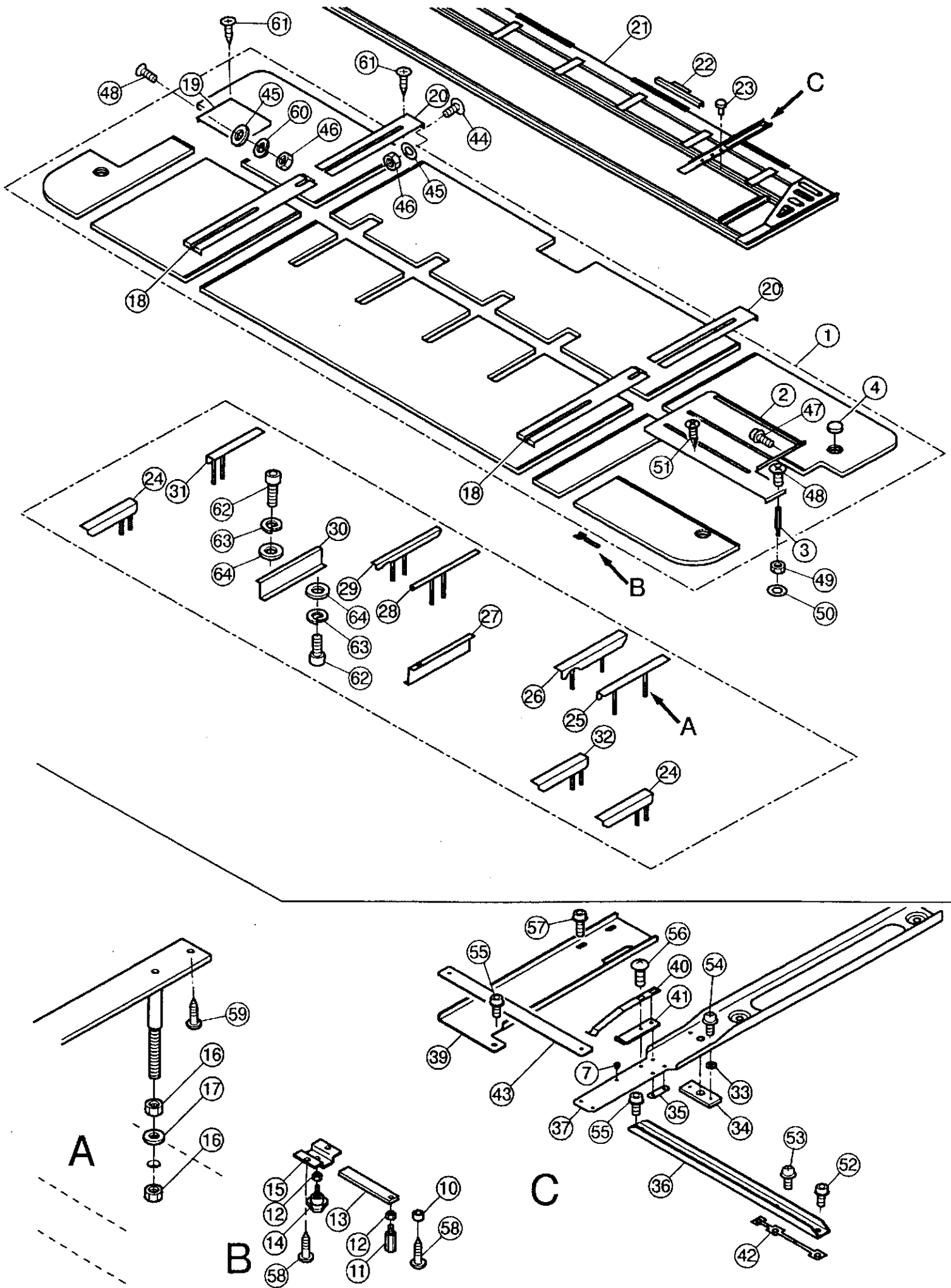


**A**

# ILLUMINATOR

3a-1

組 Ass'y	指図 El't	部品番号 PARTS No.	PARTS NAMES	MF1001s NOTE / 備考
	1	HMF00192	Illuminator bracket	
	2	HMF00202	Illuminator cover	
	3	HMF00320	Vibration insulator	
	4	EPP00362	Illuminator	
	5	NHAA06000	Hexagon nut (M6)	
	6	WSAA06000	Spring lock washer (M6)	
	7	SCAA06015	Hexagon socket head cap screw (M6x15)	
	8	WPAA06000	Plain washer (M6)	
	9	WKAB06000	Square washer(M6)	
	10	SCAA06022	Hexagon socket head cap screw (M6x22)	

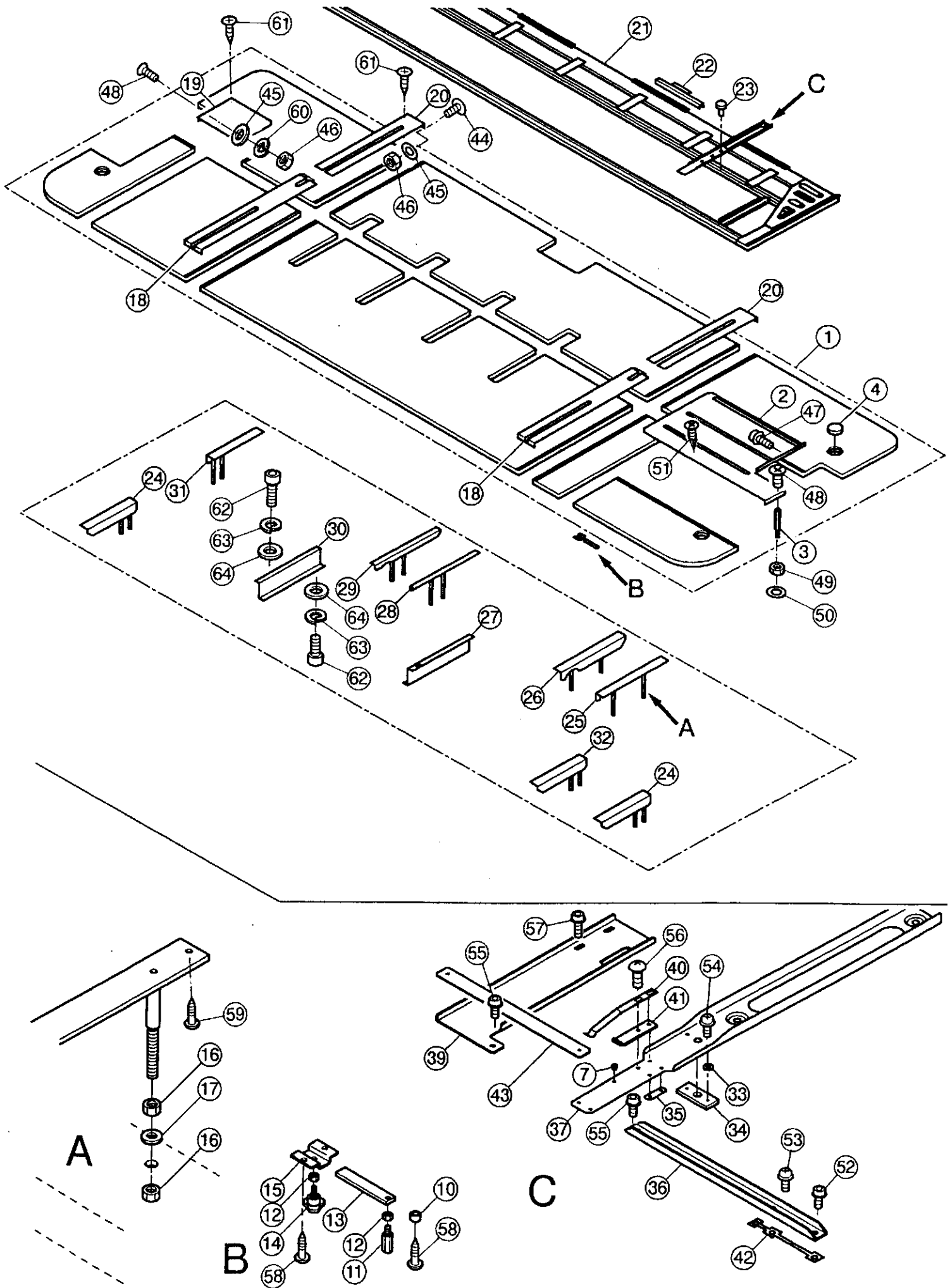




# TABLE 1

# 4a-1

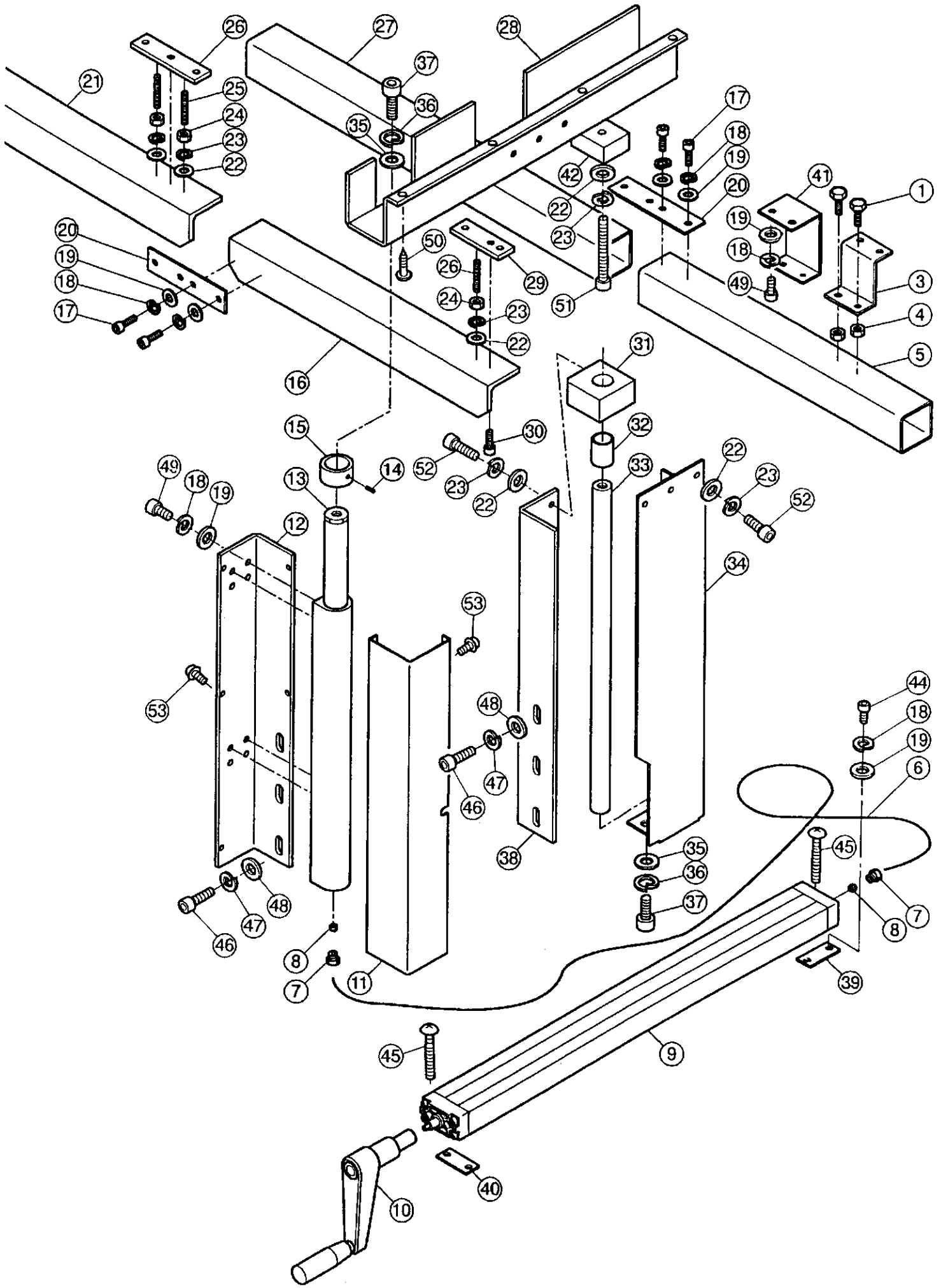
組 Ass'y	指図 El't	部品番号 PARTS No.	PARTS NAMES	CM9730 NOTE / 備考
	1	→5a	Table set (by model)	
	2	→5a	X carriage cover (by model)	
	3	M0430013	Stud for cover	
	4	M0430020	Lid for table hole	
	4	HCM30410	Lid for table hole (for 1212X-48, 1012-48, 812-48 type)	
	4	HCM30410	Lid for table hole (for 1216-36, 1016-36, 816-36 type)	
	7	C0440563	positioning pin	
	10	M0412241	Plastic ring	
	11	M0410041	Stud	
	12	NHAB05000	Hexagon nut (M5)	
	13	HCM34060	Table prop B	
	14	MPZ01080	Knob bolt (M6)	
	15	HCM34050	Table prop A	
	16	NHAD12000	Hexagon nut (M12)	
	17	WPAD12000	Plain washer (M12)	
	18	→5a	Y carriage cover, front (by model)	
	19	HCM33041	Thread cut cover (for Y480)	
	19	HCM33180	Thread cut cover (for 1012-48, 812-48 type)	
	19	HCM33080	Thread cut cover (for Y300, Y360)	
	20	→5a	Y carriage cover, rear (by model)	
	21	→5a	Frame ass'y (by model)	
	22	M0437016	Clip (300mm)	
	22	HMF37550	Clip (280mm)	
	22	M0437056	Clip (190mm)	
	22	M0437836	Clip (170mm)	
	23	M0437002	Knob screw	
	24	HCM32031	Table support C (for Y480)	
	24	HCM32061	Table support F (for Y300, Y360)	
	25	HCM32010	Table support A (for Y480)	
	25	HCM32050	Table support E (for Y300, Y360)	
	26	HCM32020	Table support B (for Y480)	
	26	HCM32040	Table support D (for Y300, Y360)	
	27	HCM32090	Table support I (for 720N-30, 1212N-30, 1012N-30, 812N-30 type)	
	28	HCM32071	Table support G (for 720-30, 720N-30 type)	
	29	HCM32081	Table support H (for 720-30, 720N-30 type)	
	30	HCM32102	Table support J (for 720N-30, 1212N-30, 1012N-30, 812N-30 type)	
	31	HCM32031	Table support C	
	32	HCM32111	Table support K (for Y480)	
	32	HCM32121	Table support L (for Y300, Y360)	
	33	WPAB03000	Plain washer (M3)	
	34	HCM40721	Arm spacer	
	35	HCM41420	Plate nut	
	36	→5a	Arm support, right (by model)	
	37	HCM41750	Tubular frame hold arm N (for Y480)	
	37	HCM41430	Tubular frame hold arm L (for Y300, Y360)	
	39	HCM40420	Arm support, left (for Y480)	
	39	HCM40781	Arm support, left (for Y300, Y360)	
	40	HCM41353	Hold spring C	
	41	HCM41760	Hold spring base B (for Y480)	
	41	HCM41361	Hold spring base (for Y300, Y360)	
	42	HCM41450	Arm support spacer, right	
	43	→5a	Pitch gauge (by model)	



# TABLE 1

4a-2

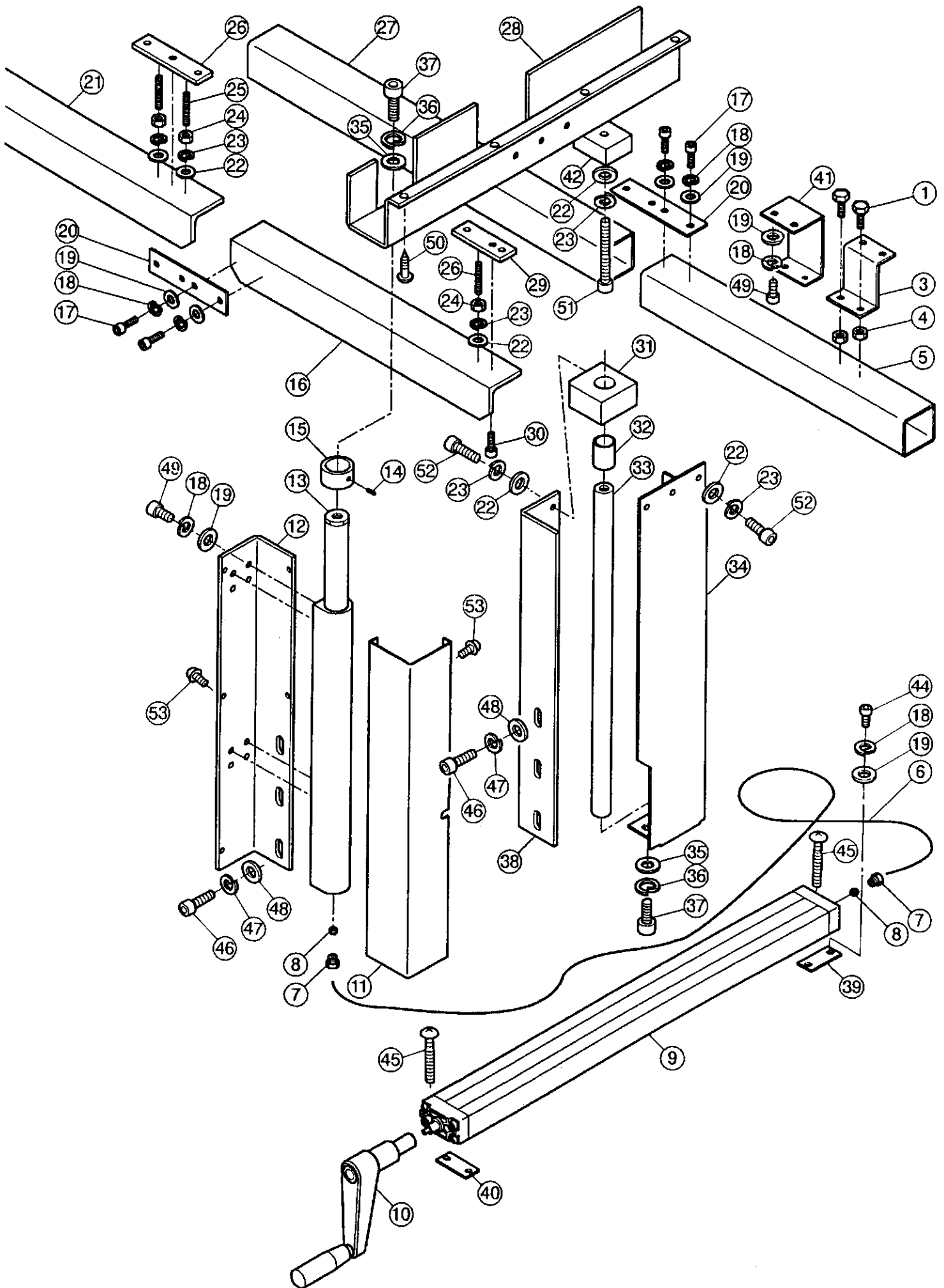
組 Ass'y	指図 E'l't	部品番号 PARTS No.	PARTS NAMES	CM9A30s NOTE / 備考
44		SPDD03008	Pan head screw (cross recessed, M3x8)	
45		WPAD03000	Plain washer (M3)	
46		NHAD03000	Hexagon nut (M3)	
47		SCBD05008	Hexagon socket head cap screw with flange (M5x8)	
48		SGAD03008	Flat head screw (cross recessed head, M3x8)	
49		NHAD06000	Hexagon nut (M6)	
50		WPAD06000	Plain washer (M6)	
51		SNAB3A010	Flat head tapping screw (cross recessed head, 3.1x10)	
52		SCBD05010	Hexagon socket head cap screw with flange (M5x10)	
53		SPDD03005	Pan head screw (cross recessed, M3x5)	
54		SPDD03006	Pan head screw (cross recessed, M3x6)	
55		SCBD04008	Hexagon socket head cap screw with flange (M4x8)	
56		SBAB04010	Binding head screw (cross recessed, M4x10)	
57		SCBD05012	Hexagon socket head cap screw with flange (M5x12)	
58		SKAB5A020	Round head wood screw (cross recessed head, 5.1x20)	
59		SKAB5A025	Round head wood screw (cross recessed head, 5.1x25)	
60		WSAD03000	Spring lock washer (M3)	
61		SNAB3A014	Flat head tapping screw (cross recessed head, 3.1x14)	
62		SCAA06012	Hexagon socket head cap screw (M6x12)	
63		WSAA06000	Spring lock washer (M6)	
64		WPAA06000	Plain washer (M6)	



# TABLE 2

# 4b-1

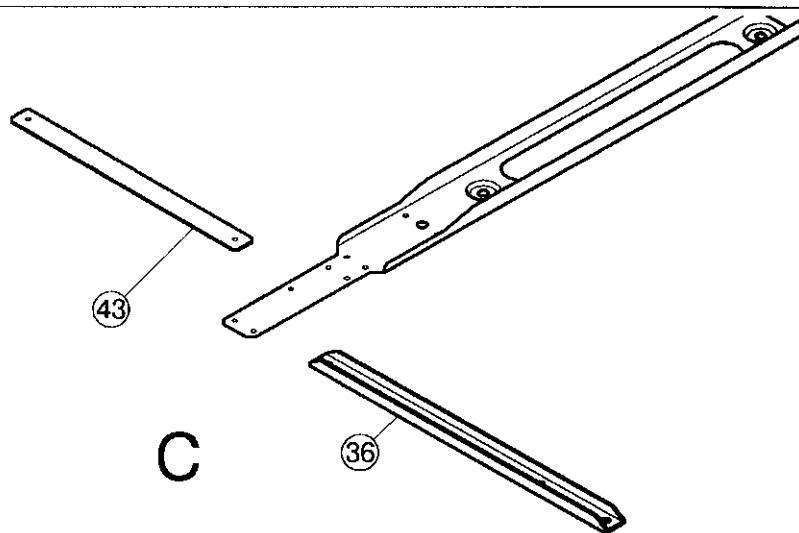
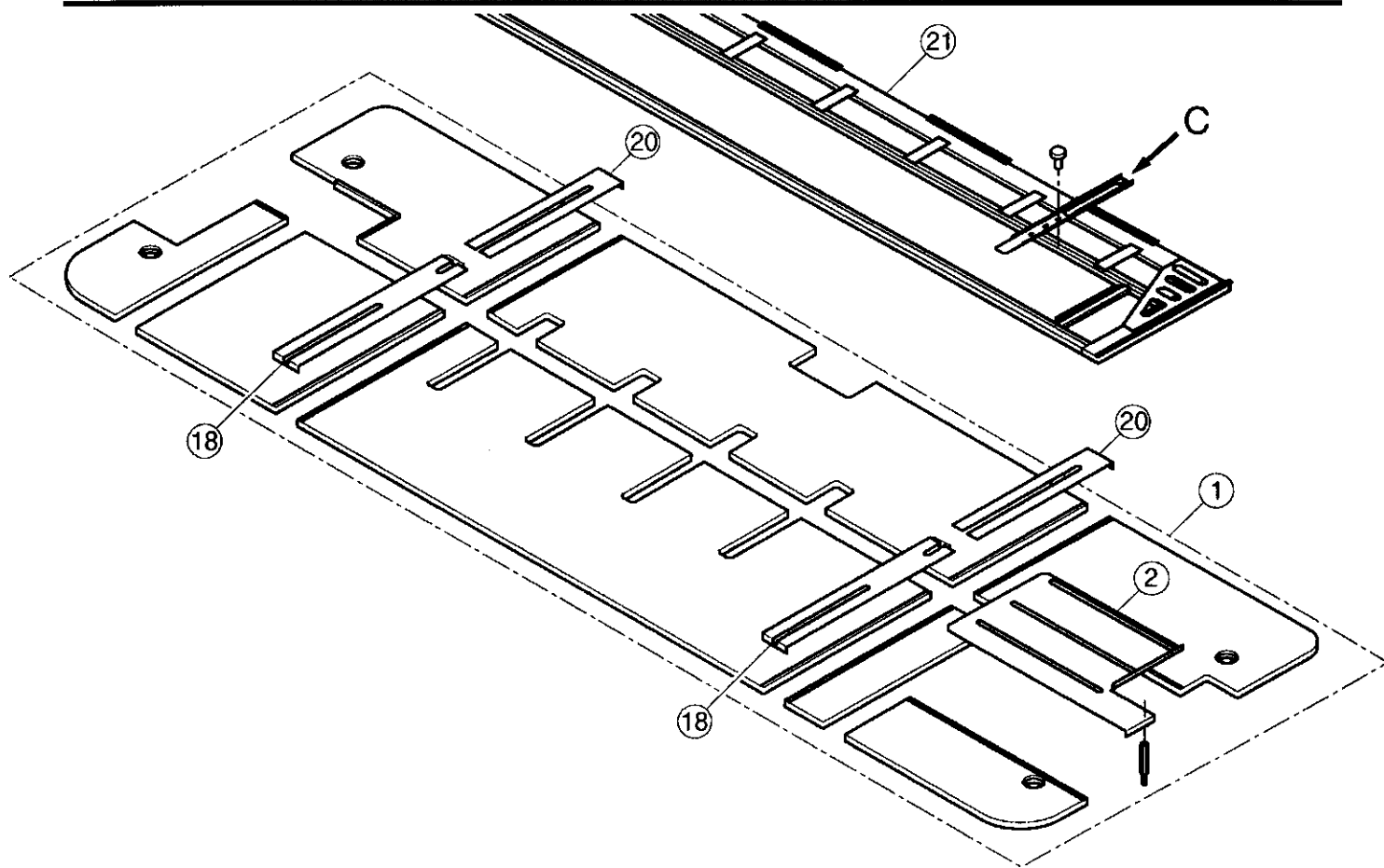
組 Ass'y	指図 El't	部品番号 PARTS No.	PARTS NAMES	CM9730 NOTE / 備考
	1	SHAA05020	Hexagon head bolt (M5x20)	
	3	HCM34020	Bracket for table reinforcement (for Y480)	
	3	HCM34211	Bracket B for table reinforcement (for Y300, Y360)	
	4	NHAA05000	Hexagon nut (M5)	
	5	→5b	Table reinforcement pipe 1 (by model)	
	6	MPZ01490	HD-pipe, 6m	
	6	MPZ01500	HD-pipe, 4m (for 804, 806 type)	
	7	MPZ01510	Connecting screw	
	8	MPZ01520	Clamping ring	
	9	MPZ01460	Pump PB4625	
	9	MPZ01450	Pump TB2623 (for 804, 806 type)	
	10	MPZ01480	Folding crank	
	11	HCM34532	Cylinder cover	
	12	HCM34524	Holder	
	13	MPZ01470	Cylinder	
	14	SSAA04004	Hexagon socket set screw (M4x4)	
	15	HCM34631	Spacer B	
	15	HCM34641	Spacer (for 1212X-48, 1012-48, 812-48, 1006-36, 806-36 type)	
	16	→5b	Table reinforcement 1 (by model)	
	17	SCAA05015	Hexagon socket head cap screw (M5x15)	
	18	WSAA05000	Spring lock washer (M5)	
	19	WPAA05000	Plain washer (M5)	
	20	HCM34141	Connecting plate for reinforcement	
	21	→5b	Table reinforcement 2 (by model)	
	22	WPAA06000	Plain washer (M6)	
	23	WSAA06000	Spring lock washer (M6)	
	24	NHAA06000	Hexagon nut (M6)	
	25	SSAA06035	Hexagon socket set screw (M6x35)	
	26	HCM34041	Support for table reinforcement	
	27	→5b	Table reinforcement pipe 2 (by model)	
	28	HCM34622	Table bracket B (for 1212X-48, 1012-48, 812-48 type)	
	28	HCM34622	Table bracket B (for 1216-36, 1016-36, 816-36 type)	
	28	HCM34512	Table bracket	
	29	HCM34131	Support B for table reinforcement	
	30	SCAA06035	Hexagon socket head cap screw (M6x35)	
	31	HCM34552	Guide	
	32	MPB00630	Bushing (80B2030)	
	33	HCM34561	Guide shaft	
	34	HCM34571	Guide reinforcement	
	35	WPAA10000	Plain washer (M10)	
	36	WSAA10000	Spring lock washer (M10)	
	37	SCAA01020	Hexagon socket head cap screw (M10x20)	
	38	HCM34541	Guide holder	
	39	HCM34670	Pump bracket (for 1012-48, 812-48, 1216-36, 1016-36, 816-36 type)	
	40	HCM34660	Pump spacer (for 1012-48, 812-48, 1216-36, 1016-36, 816-36 type)	
	41	HCM34322	Bracket D for table reinforcement (for 1216-36, 1016-36, 816-36 type)	
	42	HCM34221	Pipe spacer (for Y300, Y360)	
	43	HCM34310	Bracket C for table reinforcement (for 1212X-48, 720-30 type)	



# TABLE 2

4b-2

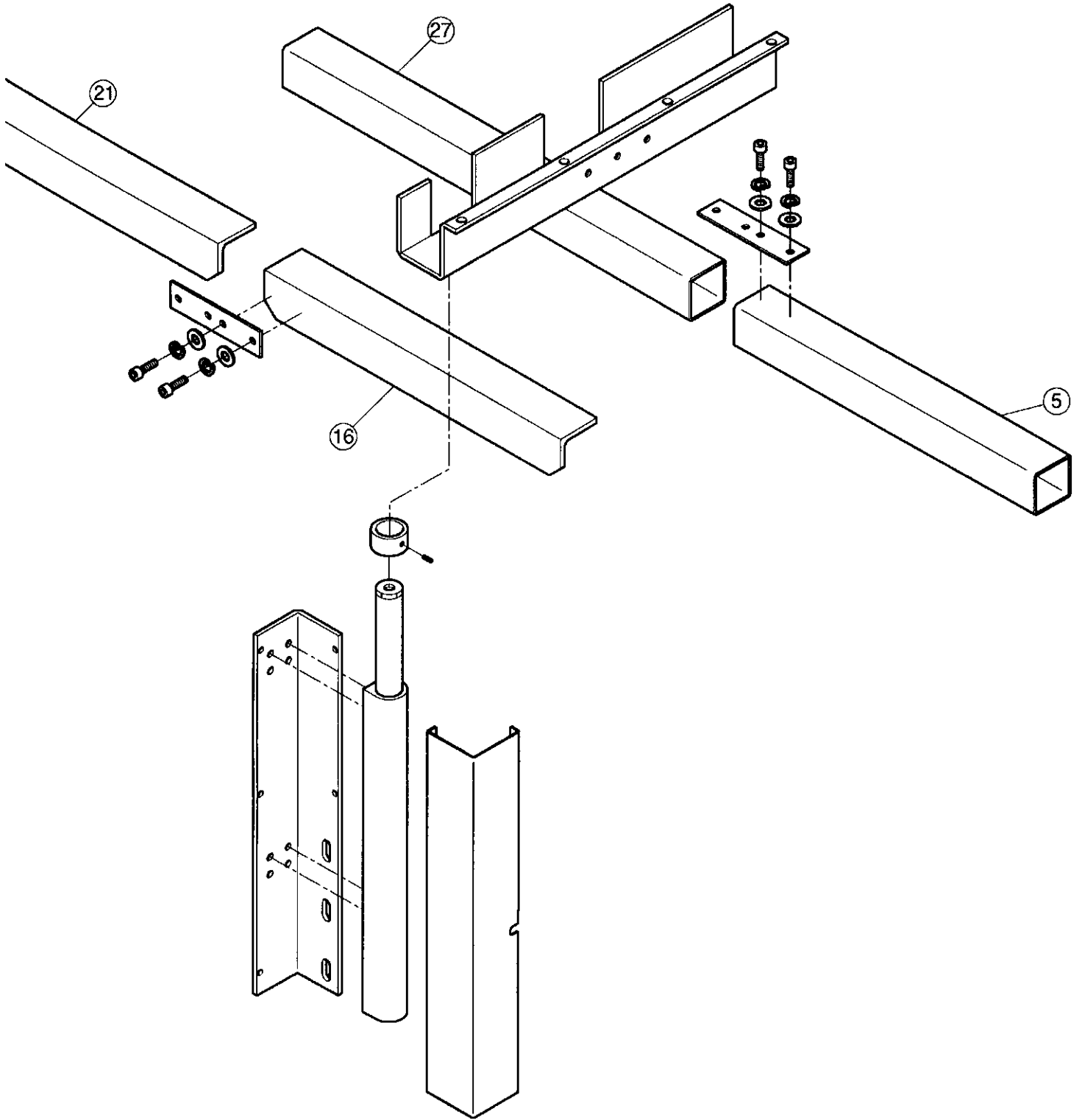
組 Ass'y	指図 Elt	部品番号 PARTS No.	PARTS NAMES	CM9A30s NOTE / 備考
	44	SCAA05010	Hexagon socket head cap screw (M5x10)	
	45	SPAC05054	Pan head screw (cross recessed, M5x54)	
	46	SCAA08020	Hexagon socket head cap screw (M8x20)	
	47	WSAA08000	Spring lock washer (M8)	
	48	WPAA08000	Plain washer (M8)	
	49	SCAA05012	Hexagon socket head cap screw (M5x12)	
	50	SKAB5A025	Round head wood screw (cross recessed head, 5.1x25)	
	51	SCAA06100	Hexagon socket head cap screw (M6x100)	
	52	SCAA06015	Hexagon socket head cap screw (M6x15)	
	53	SPDB05008	Pan head screw (cross recessed, M5x8)	





	指図 / E/t PARTS NAMES	1	2	18	20
		Table set	X carriage cover	Y carriage cover, front	Y carriage cover, rear
機種 MODEL	1 2 1 2 X-48	HCM31000	HCM33221	HCM33022	HCM33031
	1 0 1 2-48	HCM31331	HCM33201	HCM33022	HCM33031
	8 1 2-48	HCM31331	HCM33201	HCM33022	HCM33031
	8 0 6-48	HCM31370	HCM33212	HCM33022	HCM33031
	8 0 4-48	HCM31350	HCM33212	HCM33022	HCM33031
	7 2 0-30	HCM30860	HCM33131	HCM33060	HCM33070
	7 2 0 N-30	HCM30424	HCM33131	-	HCM33140
	1 2 1 2-30	HCM30167	HCM33052	HCM33060	HCM33070
	1 2 1 2 N-30	HCM31390	HCM33052	-	HCM33140
	1 0 1 2-30	HCM30167	HCM33052	HCM33060	HCM33070
	1 0 1 2 N-30	HCM31390	HCM33052	-	HCM33140
	8 1 2-30	HCM30167	HCM33052	HCM33060	HCM33070
	8 1 2 N-30	HCM31390	HCM33052	-	HCM33140
	1 2 1 6-36	HCM30982	HCM33190	HCM33110	HCM33120
	1 0 1 6-36	HCM30982	HCM33190	HCM33110	HCM33120
	8 1 6-36	HCM30982	HCM33190	HCM33110	HCM33120
	1 2 1 2-36	HCM30615	HCM33052	HCM33110	HCM33120
	1 0 1 2-36	HCM30615	HCM33052	HCM33110	HCM33120
	8 1 2-36	HCM30615	HCM33052	HCM33110	HCM33120
	1 0 0 6-36	HCM30526	HCM33101	HCM33110	HCM33120
8 0 6-36	HCM30526	HCM33101	HCM33110	HCM33120	

	指図 / E/t PARTS NAMES	21	36	43	
		Frame ass'y	Arm support, right	Pitch gauge	
機種 MODEL	1 2 1 2 X-48	HCM937240	HCM41770	FRA40650	
	1 0 1 2-48	HCM937050	HCM40431	FRA40240	
	8 1 2-48	HCM937050	HCM40431	FRA40240	
	8 0 6-48	HCM937030	HCM40411	FRA40230	
	8 0 4-48	HCM937010	HCM40411	FRA40230	
	7 2 0-30	HCM937180	HCM40801	FRA40260	
	7 2 0 N-30	HCM937090	HCM40801	FRA40260	
	1 2 1 2-30	HCM937070	HCM40791	FRA40250	
	1 2 1 2 N-30	HCM937220	HCM41490	FRA40250	
	1 0 1 2-30	HCM937070	HCM40791	FRA40250	
	1 0 1 2 N-30	HCM937220	HCM41490	FRA40250	
	8 1 2-30	HCM937070	HCM40791	FRA40250	
	8 1 2 N-30	HCM937220	HCM41490	FRA40250	
	1 2 1 6-36	HCM937200	HCM40791	FRA40250	
	1 0 1 6-36	HCM937200	HCM40791	FRA40250	
	8 1 6-36	HCM937200	HCM40791	FRA40250	
	1 2 1 2-36	HCM937160	HCM40791	FRA40250	
	1 0 1 2-36	HCM937160	HCM40791	FRA40250	
	8 1 2-36	HCM937160	HCM40791	FRA40250	
	1 0 0 6-36	HCM937110	HCM40811	FRA40240	
8 0 6-36	HCM937110	HCM40811	FRA40240		

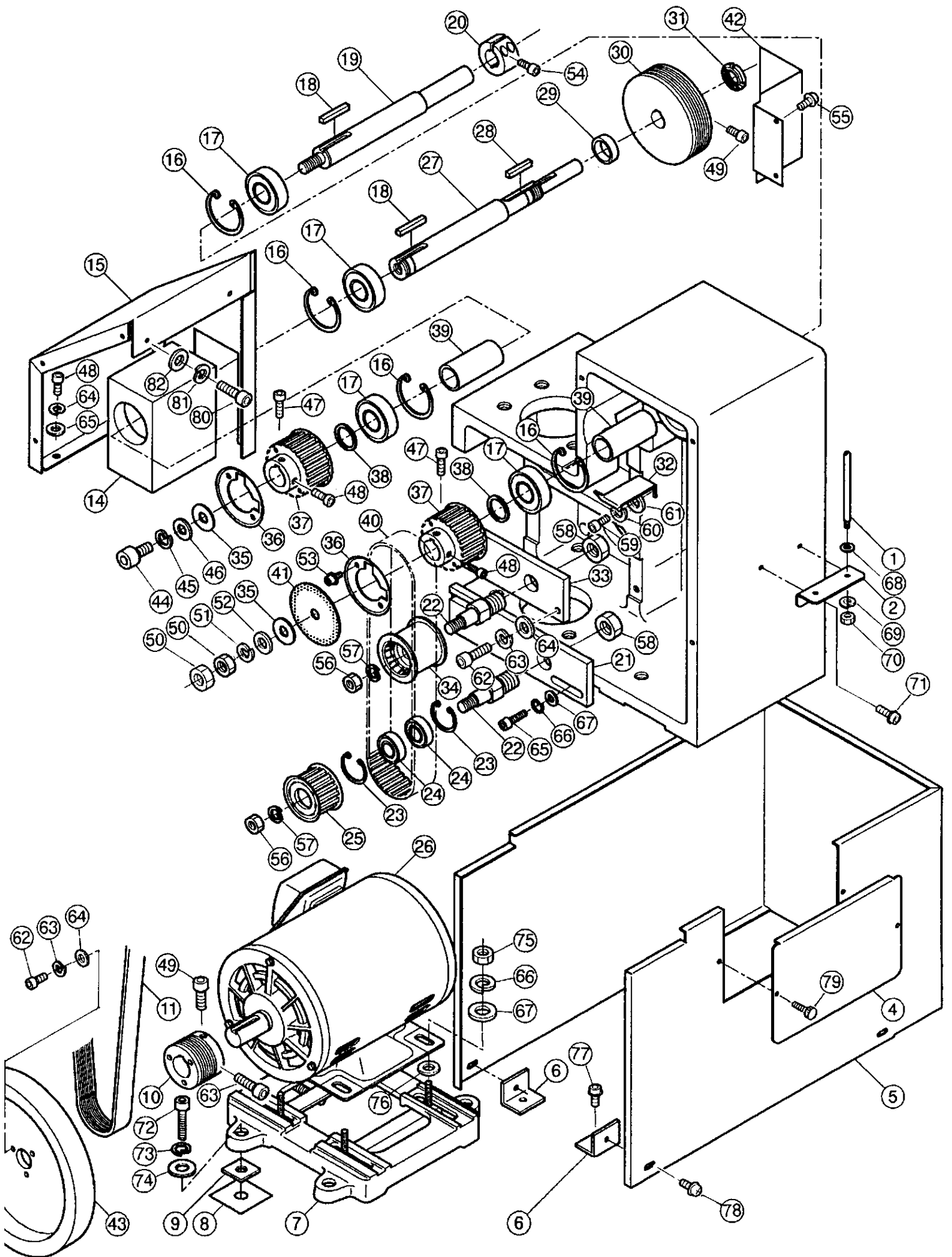


指図 / EIt PARTS NAMES		5 Reinforcement pipe 1	27 Reinforcement pipe 2	16 Table reinforcement 1	21 Table reinforcement 2
機種 MODEL	1 2 1 2 X - 4 8	HCM34330	HCM34340	HCM34350	HCM34360
	1 0 1 2 - 4 8	HCM34151	HCM34160	HCM34171	HCM34181
	8 1 2 - 4 8	HCM34151	HCM34160	HCM34171	HCM34181
	8 0 6 - 4 8	HCM34070	-	HCM34080	-
	8 0 4 - 4 8	HCM34010	-	HCM34030	-
	7 2 0 - 3 0	HCM34271	HCM34280	HCM34290	HCM34300
	7 2 0 N - 3 0	-	-	-	-
	1 2 1 2 - 3 0	HCM34091	HCM34100	HCM34110	HCM34120
	1 2 1 2 N - 3 0	-	-	-	-
	1 0 1 2 - 3 0	HCM34091	HCM34100	HCM34110	HCM34120
	1 0 1 2 N - 3 0	-	-	-	-
	8 1 2 - 3 0	HCM34091	HCM34100	HCM34110	HCM34120
	8 1 2 N - 3 0	-	-	-	-
	1 2 1 6 - 3 6	HCM34231	HCM34240	HCM34250	HCM34260
	1 0 1 6 - 3 6	HCM34231	HCM34240	HCM34250	HCM34260
	8 1 6 - 3 6	HCM34231	HCM34240	HCM34250	HCM34260
	1 2 1 2 - 3 6	HCM34091	HCM34100	HCM34110	HCM34120
	1 0 1 2 - 3 6	HCM34091	HCM34100	HCM34110	HCM34120
	8 1 2 - 3 6	HCM34091	HCM34100	HCM34110	HCM34120
	1 0 0 6 - 3 6	HCM34190	-	HCM34200	-
8 0 6 - 3 6	HCM34190	-	HCM34200	-	

# SUPPORT BOX LEFT

CM9A30s

6a-1



# SUPPORT BOX LEFT

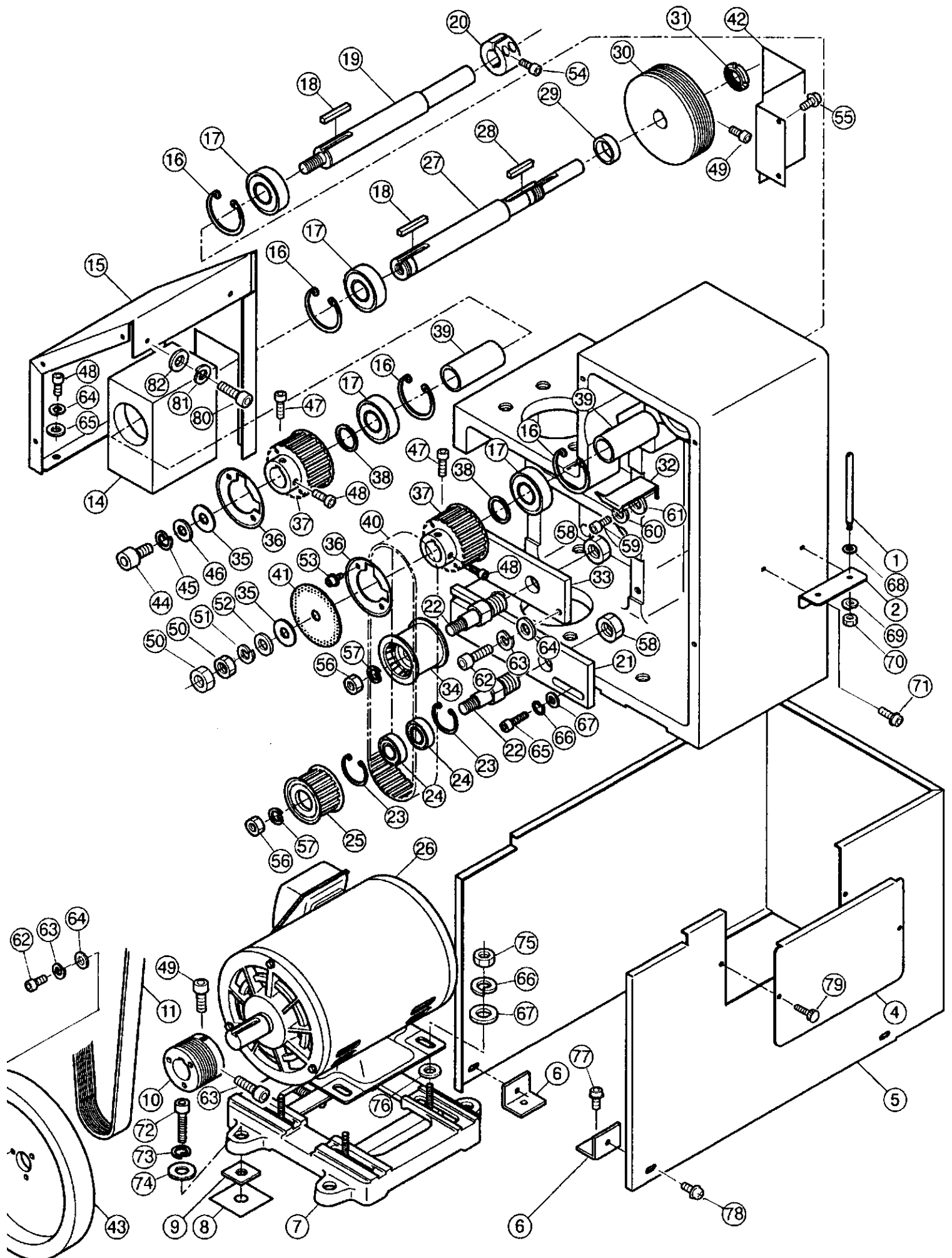
6a-1

組 Ass'y	指図 Elt	部品番号 PARTS No.	PARTS NAMES	CM0217 NOTE / 備考
	1	M0402052	Spool pin	
	2	M0402371	Spool support	
	3	→2a	Support box, left (by model)	
	4	HMF00110	Thread cut actuation unit cover	
	5	HCM00060	Motor cover (for Y480)	
	5	HCM00181	Motor cover (for Y300, Y360)	
	6	HMF00121	Motor cover bracket	
	7	MPZ00020	Motor slide base	
	7	MPZ01530	Motor slide base (for 804 type)	
	8	M0402220	Rubber sheet for motor	
	9	MPZ00010	Square washer	
	10	HMF02111	Motor pulley	
	10	HCM02050	Motor pulley (for 804 type)	
	11	MPV00400	Main drive belt	
	14	HCM02230	Drive shaft support	
	15	HCM02242	Drive shaft support cover A (for Y480)	
	15	HCM02251	Drive shaft support cover B (for Y300, Y360)	
	16	MPR00350	C-ring (C-52)	
	17	MPB00530	Bearing (6205LLU)	
	18	M0402141	Key for upper shaft	
	19	HMF02121	Drive shaft, upper	
	20	M0402150	Clamp (upper)	
	21	HCM02041	Tension bracket (for Y480)	
	21	HCM02153	Tension bracket (for Y300, Y360)	
	22	MPV00020	Idler pin	
	23	MPR00410	C-ring (C-35)	
	24	MPB00150	Bearing (6202LLU)	
	25	HCM02060	Tension pulley	
	26	EPM00280	Drive motor with brake 6P-0.75KW	
	26	EPM00340	Drive motor 6P-0.75KW (for 806 type)	
	26	EPM00320	Drive motor 6P-0.4KW (for 804 type)	
	27	M0402864	Drive shaft, lower	
	28	M0402181	Allocation shaft key A	
	29	M0402810	Drive pulley spacer (D)	
	30	HMF02100	Drive pulley	
	31	MPB00590	U-Nut	
	32	HMF02090	Pointer	
	33	HCM02032	Idler bracket	
	34	MPV00030	Idler pulley	
	35	M0402840	Washer for drive shaft	
	36	M0402620	Flange	
	37	M0402830	Timing pulley (D)	
	38	M0402800	Timing pulley spacer (D)	
	39	M0402820	Inner spacer (D)	
	40	MPV00310	Timing belt (for Y480)	
	40	MPV00280	Timing belt (for Y300, Y360)	
	41	HMF02401	Adjusting disc	
	42	HMF02371	Drive pulley cover	
	43	HMF02410	Wheel (A)	

# SUPPORT BOX LEFT

CM9A30s

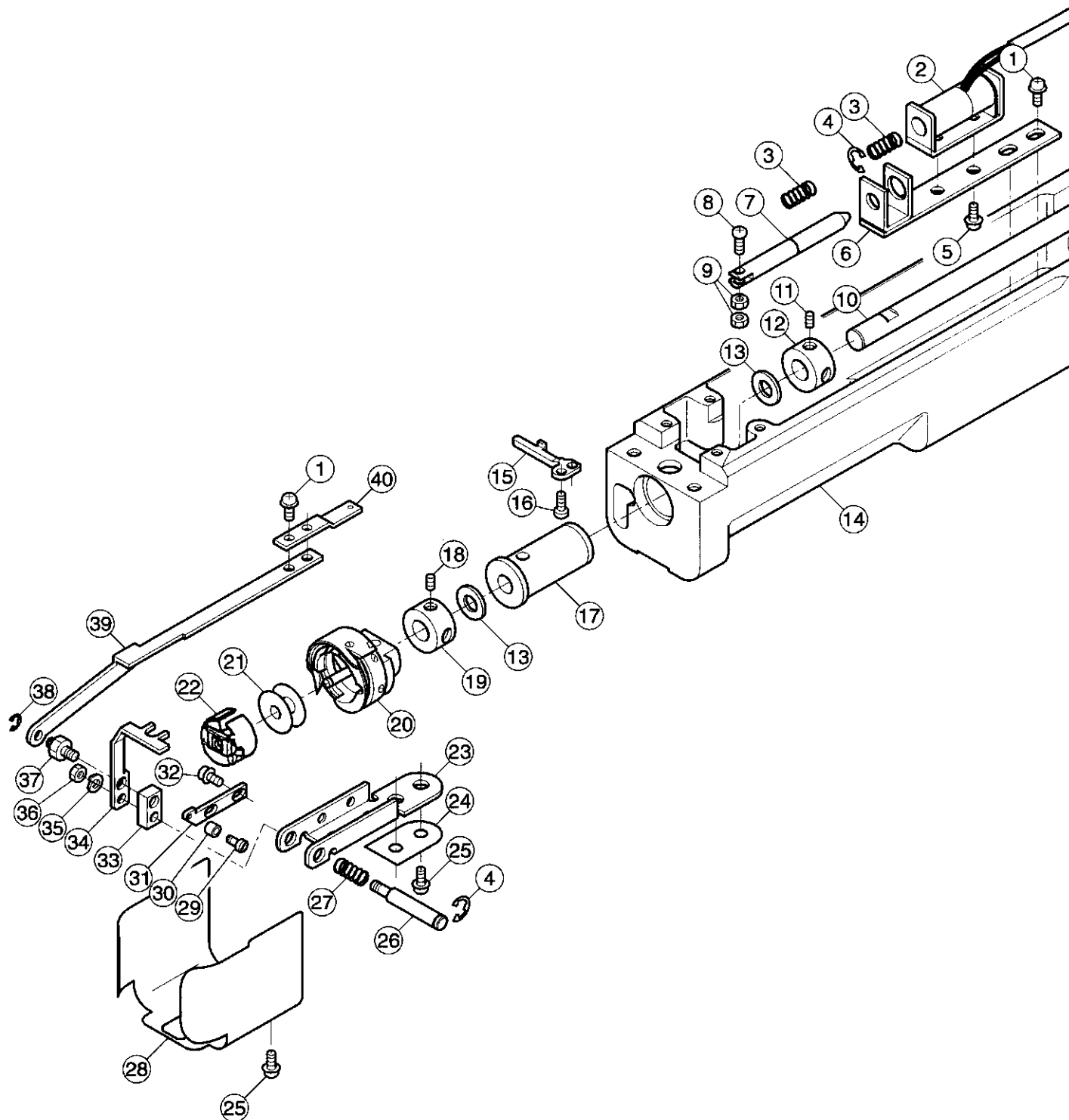
6a-2



# SUPPORT BOX LEFT

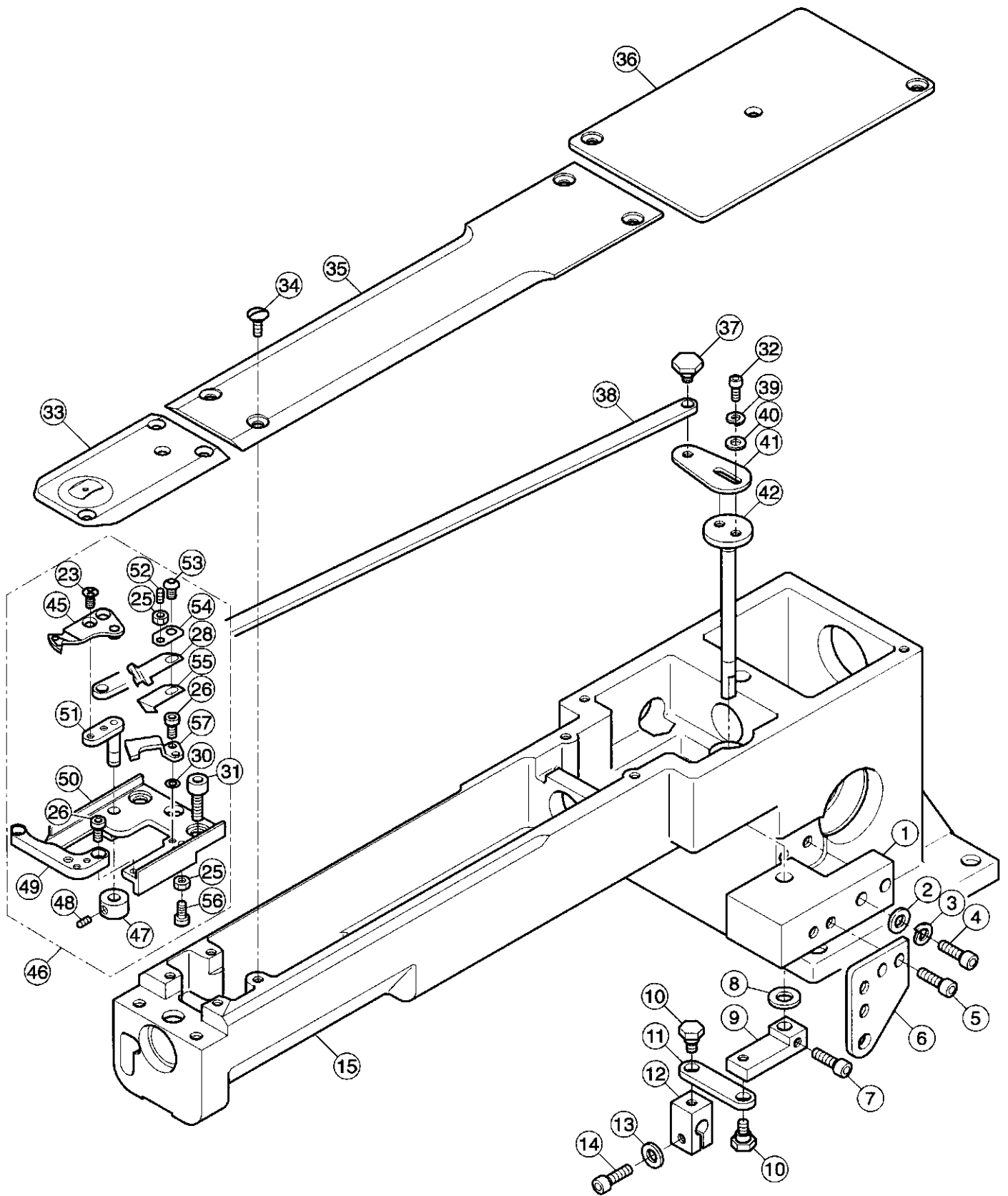
6a-2

組 Ass'y	指図 Elt	部品番号 PARTS No.	PARTS NAMES	CM9A30s NOTE / 備考
	44	SCAA12020	Hexagon socket head cap screw (M12x20)	
	45	WSAA12000	Spring lock washer (M12)	
	46	WPAA12000	Plain washer (M12)	
	47	SCAA06008	Hexagon socket head cap screw (M6x8)	
	48	SCAA06010	Hexagon socket head cap screw (M6x10)	
	49	SCAA06015	Hexagon socket head cap screw (M6x15)	
	50	NHBD12000	Hexagon nut (M12)	
	51	WSAD12000	Spring lock washer (M12)	
	52	WPAD12000	Plain washer (M12)	
	53	SCAA04006	Hexagon socket head cap screw (M4x6)	
	54	SCAA04015	Hexagon socket head cap screw (M4x15)	
	55	SCBD05008	Hexagon socket head cap screw with flange (M5x8)	
	56	NHAB12000	Hexagon nut (M12)	
	57	WSAB12000	Spring lock washer (M12)	
	58	NHAA20000	Hexagon nut (M20)	
	59	SCAA04010	Hexagon socket head cap screw (M4x10)	
	60	WSAA04000	Spring lock washer (M4)	
	61	WPAA04000	Plain washer (M4)	
	62	SCAA06020	Hexagon socket head cap screw (M6x20)	
	63	WSAA06000	Spring lock washer (M6)	
	64	WPAA06000	Plain washer (M6)	
	65	SCAA08025	Hexagon socket head cap screw (M8x25)	
	66	WSAA08000	Spring lock washer (M8)	
	67	WPAA08000	Plain washer (M8)	
	68	WPAD04000	Plain washer (M4)	
	69	WSAD04000	Spring lock washer (M4)	
	70	NHAD04000	Hexagon nut (M4)	
	71	SCBD04006	Hexagon socket head cap screw with flange (M4x6)	
	72	SCAA10045	Hexagon socket head cap screw (M10x45)	
	73	WSAA10000	Spring lock washer (M10)	
	74	WPAA10000	Plain washer (M10)	
	75	NHAB08000	Hexagon nut (M8)	
	75	NHAB10000	Hexagon nut (M10) (for 1.5KW motor)	
	76	WPAB08000	Plain washer (M8)	
	76	WPAB10000	Plain washer (M10) (for 1.5KW motor)	
	77	SCBA04008	Hexagon socket head cap screw with flange (M4x8)	
	78	SPDB04008	Pan head screw (cross recessed, M4x8)	
	79	-	Thumb knob	
	80	SCAA05035	Hexagon socket head cap screw (M5x35)	
	81	WSAA05000	Spring lock washer (M5)	
	82	WPAA05000	Plain washer (M5)	

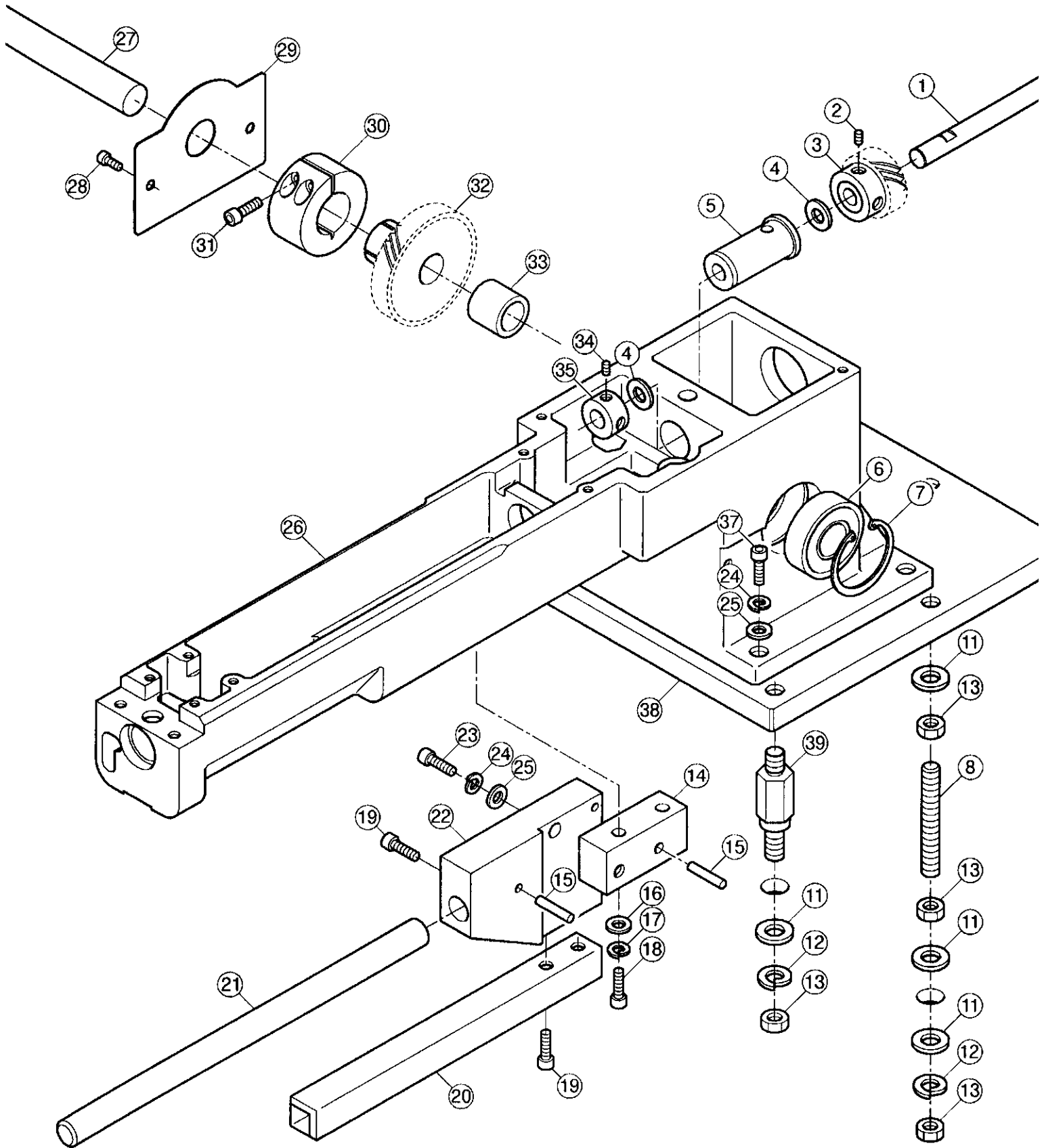




組 Ass'y	指図 El't	部品番号 PARTS No.	PARTS NAMES	CM1001 NOTE / 備考
	1	SPDB04008	Pan head screw (cross recessed, M4x8)	
	2	HCX78002	Keeper solenoid	
	3	HCM04180	Spring B	
	4	MPR00420	E-ring (E-4)	
	5	SPDB03006	Pan head screw (cross recessed, M3x6)	
	6	HCM04171	Solenoid base	
	7	HCM04191	Plunger	
	8	SPAC2C010	Pan head screw (cross recessed, M2.3x10)	
	9	NHAC2C000	Hexagon nut (M2.3)	
	10	HCM04531	Rotary hook shaft (for Y480)	
	10	HCM04031	Rotary hook shaft (for Y480, jumbo hook)	
	10	HCM04371	Rotary hook shaft (for Y300, Y360)	
	11	SSAA04004	Hexagon socket set screw (M4x4)	
	12	HCM04680	Stopping collar A	
	13	MPB00120	Plastic thrust washer (TW0815)	
	14	HCM04525	Bed (for Y480)	
	14	HCM04018	Bed (for Y480, jumbo hook)	
	14	HCM0436A	Bed (for Y300, Y360)	
	15	HCM04232	Rotary hook retainer	
	16	SAAA03006	Hexagon socket button head screw (M3x6)	
	17	HCG04035	Bushing for rotary hook shaft	
	18	SSAA05006	Hexagon socket set screw (M5x6)	
	19	HMF04190	Stopping collar	
	20	MPZ00050	Rotary hook	
	20	MPZ00540	Rotary hook (for thick thread)	
	20	MPH00010	Jumbo hook	
	21	MPZ00550	Bobbin	
	21	MPZ01370	Bobbin (for jumbo hook)	
	22	MPZ00080	Bobbin case	
	22	MPZ01380	Bobbin case (for jumbo hook)	
	23	HCM04144	Shaft holder	
	24	HCM04650	Hinge spacer	
	25	SPDB04010	Pan head screw (cross recessed, M4x10)	
	26	HCM04160	Keeper shaft	
	27	HCM04150	Spring A	
	28	HCG04230	Keeper cover	
	28	HCM04632	Keeper cover (for jumbo hook)	
	29	HCM04490	Stopper pin	
	30	HCM04510	Stopper	
	31	HCM04480	Stopper bracket	
	32	SCBA03006	Hexagon socket head cap screw with flange (M3x6)	
	33	HCM04131	Fulcrum block	
	34	HCM04413	Keeper	
	34	HCM04113	Keeper (for jumbo hook)	
	35	WSAD03000	Spring lock washer (M3)	
	36	NHAD03000	Hexagon nut (M3)	
	37	HCM04121	Fulcrum pin	
	38	MPR00290	E-ring (E-3)	
	39	HCM04203	Keeper actuating plate A	
	40	HCM04211	Keeper actuating plate B	



組 Ass'y	指図 Elt	部品番号 PARTS No.	PARTS NAMES	CM1001 NOTE / 備考
	1	HCM04092	Link base	
	2	WPAA05000	Plain washer (M5)	
	3	WSAA05000	Spring lock washer (M5)	
	4	SCAA05020	Hexagon socket head cap screw (M5x20)	
	5	SCAA04010	Hexagon socket head cap screw (M4x10)	
	6	HMF04050	Support for moving shaft	
	7	SCAA04008	Hexagon socket head cap screw (M4x8)	
	8	WPAA06000	Plain washer (M6)	
	9	M0404240	Drive arm for knife	
	10	M0404263	Hinge screw for link	
	11	M0404250	Link	
	12	M0404271	Fasten block for thread cut shaft	
	13	WPAA04000	Plain washer (M4)	
	14	SCCA04015	Hexagon socket head cap screw (M4x15)	
	15	HCM04525	Bed (for Y480)	
	15	HCM04018	Bed (for Y480, jumbo hook)	
	15	HCM0436A	Bed (for Y300, Y360)	
46*	23	HMF04260	Flat head screw	
46*	25	NHCA03000	Hexagon nut (M3)	
46*	26	SCAA03004	Hexagon socket head cap screw (M3x4)	
46*	28	HCM04580	Bobbin thread holder	
46*	30	MPZ02230	Washer	
	31	SCAA05010	Hexagon socket head cap screw (M5x10)	
	32	SCAA03006	Hexagon socket head cap screw (M3x6)	
	33	HCM04750	Needle plate	
	34	MPZ00040	Screw for needle plate	
	35	HCM04050	Cover B (for Y480)	
	35	HCM04381	Cover C (for Y300, Y360)	
	36	HCM04041	Cover A	
	37	HCM04252	Hinge screw for link	
	38	HCM04223	Rod (for Y480)	
	38	HCM04392	Rod (for Y300, Y360)	
	39	WSAA03000	Spring lock washer (M3)	
	40	WPAA03000	Plain washer (M3)	
	41	HCM04550	Link C	
	42	C0404301	Drive shaft for link	
46*	45	HCM04293	Knife	
	46	HCA04030	Thread cutting device ass'y	
46*	47	HCA04060	Knife drive shaft retainer	
46*	48	SSAA04004	Hexagon socket set screw (M4x4)	
46*	49	HCA04070	Rotary hook retainer base	
46*	50	HCA04040	Thread cutting device base	
46*	51	HCA04050	Knife drive shaft	
46*	52	SSAA03003	Hexagon socket set screw (M3x3)	
46*	53	SAAA03005	Hexagon socket button head screw (M3x5)	
46*	54	HCA04090	Holder retainer	
46*	55	HCA04082	Holder support	
46*	56	SCAA03012	Hexagon socket head cap screw (M3x12)	
46*	57	HCA04100	Fixed knife	

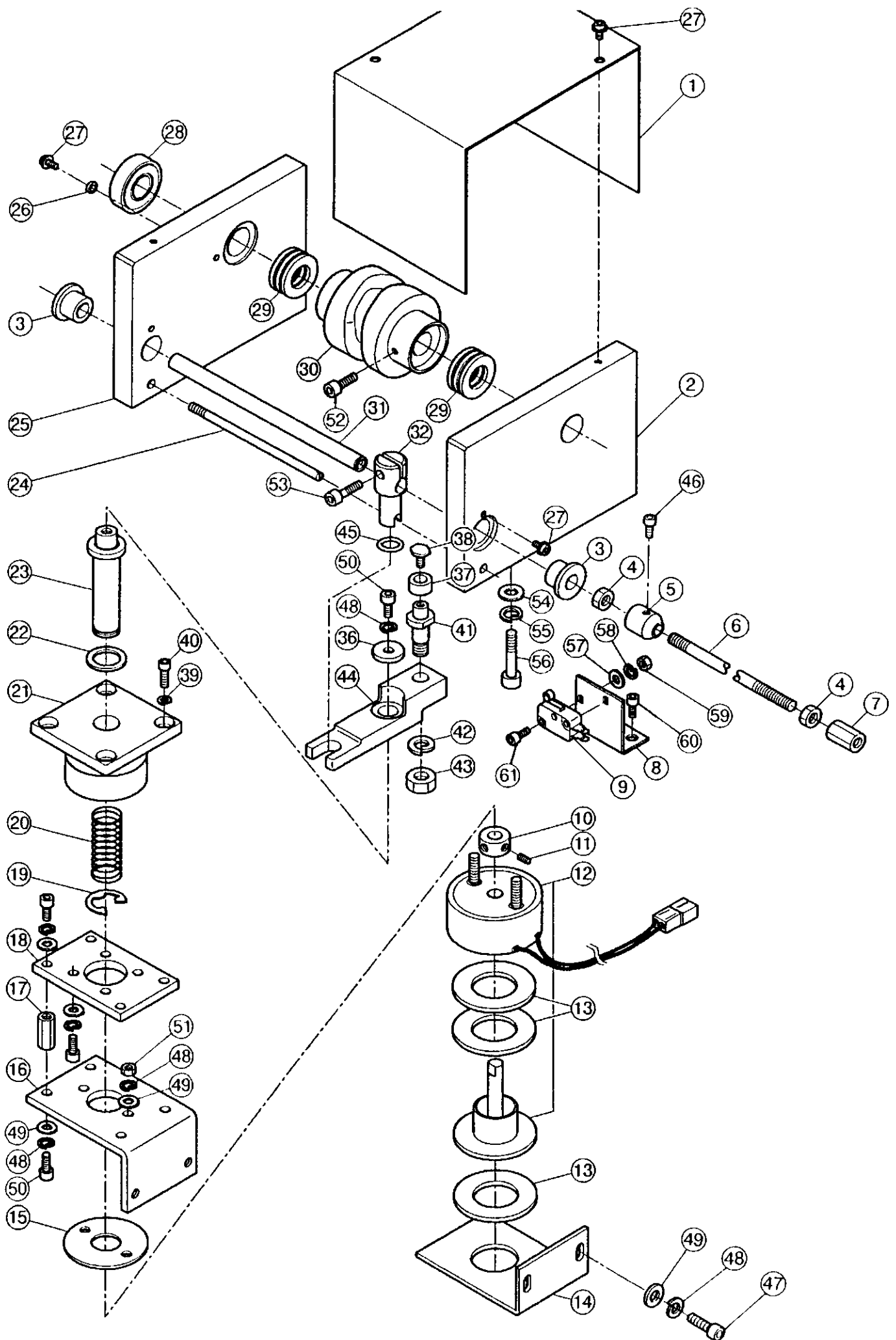


組 Ass'y	指図 Elt	部品番号 PARTS No.	PARTS NAMES	CM9A30s NOTE / 備考
	1	HCM04531	Rotary hook shaft (for Y480)	
	1	HCM04031	Rotary hook shaft (for Y480, jumbo hook)	
	1	HCM04371	Rotary hook shaft (for Y300, Y360)	
	2	SSAA05008	Hexagon socket set screw (M5x8)	
	3	HMF04060	Gear for rotary hook shaft	
	4	MPB00120	Plastic thrust washer (TW0815)	
	5	HCG04035	Bushing for rotary hook shaft	
	6	MPB00150	Bearing (6202LLU)	
	7	MPR00410	C-ring (C-35)	
	8	HCM04340	Bed stud B (for Y480)	
	8	HCM04430	Bed stud C (for Y300, Y360)	
	11	WPAA08000	Plain washer (M8)	
	12	WSAA08000	Spring lock washer (M8)	
	13	NHAA08000	Hexagon nut (M8)	
	14	HCM04082	Holder	
	14	HCM04540	Holder (for Y480, standard hook)	
	15	MPP00090	Spring pin (4x20)	
	16	WPAA05000	Plain washer (M5)	
	17	WSAA05000	Spring lock washer (M5)	
	18	SCAA05035	Hexagon socket head cap screw (M5x35)	
	19	SCAD06010	Hexagon socket head cap screw (M6x10)	
	20	FRA43872	Guide shaft for cap frame	
	21	FRA43860	Fulcrum shaft for cap frame	
	22	HCM04672	Fulcrum shaft holder	
	23	SCAA06035	Hexagon socket head cap screw (M6x35)	
	24	WSAA06000	Spring lock washer (M6)	
	25	WPAA06000	Plain washer (M6)	
	26	HCM04525	Bed (for Y480)	
	26	HCM04018	Bed (for Y480, jumbo hook)	
	26	HCM0436A	Bed (for Y300, Y360)	
	27	→1a	Lower shaft (by model)	
	28	SCAA04006	Hexagon socket head cap screw (M4x6)	
	29	C0404031	Side cover	
	30	M0404123	Fasten collar	
	31	SCAA04015	Hexagon socket head cap screw (M4x15)	
	32	SF404070	Drive spiral gear	
	33	SF404030	Spiral gear collar	
	34	SSAA04004	Hexagon socket set screw (M4x4)	
	35	HCM04680	Stopping collar A	
	37	SCAA06025	Hexagon socket head cap screw (M6x25)	
	38	HCM04020	Bed plate (for Y480 type)	
	39	HCM04101	Bed stud A (for Y480)	
	39	HCM04444	Bed stud D (for Y300, Y360)	

# THREAD CUT ACTUATION UNIT

CM9A30a

8a-1



# THREAD CUT ACTUATION UNIT

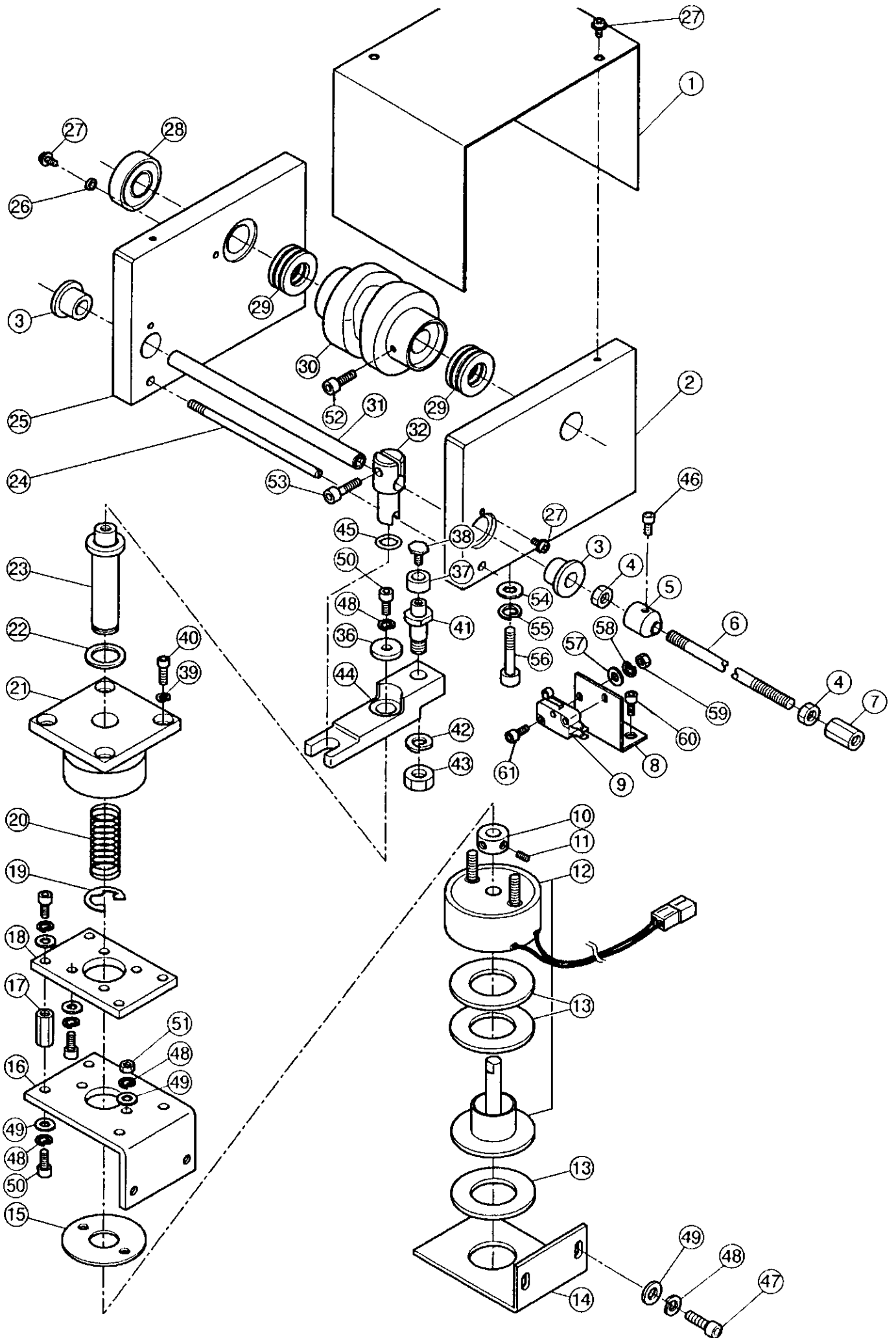
8a-1

組 Ass'y	指図 El't	部品番号 PARTS No.	PARTS NAMES	MF1001 NOTE / 備考
	1	HMF06100	Cover for thread cutting driver	
	2	HMF06011	Cam support right	
	3	MPZ00440	Flange bushing	
	4	M0404280	Nut	
	5	M0406101	LS dog	
	6	→9a	Moving shaft (by model)	
	7	M0404292	Joint	
	8	HMF06090	Micro switch base (for HMF type)	
	8	HCM06030	Micro switch base (for HCM type)	
	9	EPS00010	Micro switch	
	10	HMF04190	Collar	
	11	SSAA05005	Hexagon socket set screw (M5x5)	
	12	HMX78020	Thread cutting solenoid	
	13	M0406010	Solenoid felt	
	14	HMF06070	Felt base	
	15	HMF06080	Solenoid spacer	
	16	HMF06060	Fixing plate	
	17	HMF06050	Solenoid stud	
	18	HMF06042	Solenoid base	
	19	MPR00430	E-ring (E-12)	
	20	M0406050	Lever spring	
	21	HMF06030	Lever shaft support	
	22	M0406260	Urethane washer	
	23	M0406252	Lever shaft	
	24	M0406171	Guide pin	
	25	HMF06021	Cam support left	
	26	M0406200	Spacer	
	27	SCBA04008	Hexagon socket head cap screw with flange (M4x8)	
	28	MPB00150	Bearing (6202LLU)	
	29	MPB00160	Thrust bearing (51102)	
	30	HMF06250	Cam for thread cutting driver (for HMF type)	
	30	HCM06060	Cam for thread cutting driver (for HCM type)	
	31	M0406161	Slide shaft	
	32	M0406142	Lever drive pin	
	36	M0406410	Washer	
	37	M0406220	Thread cutting roller	
	38	M0406211	Roller screw	
	39	WSCA06000	Spring lock washer (M6)	
	40	SCAA06015	Hexagon socket head cap screw (M6x15)	
	41	HMF06240	Roller shaft	
	42	WSAA08000	Spring lock washer (M8)	
	43	NHAI08000	Hexagon nut (M8)	
	44	HMF06231	Cam lever	
	45	MPR00490	O-Ring (P-11)	

# THREAD CUT ACTUATION UNIT

CM9A30a

8a-2

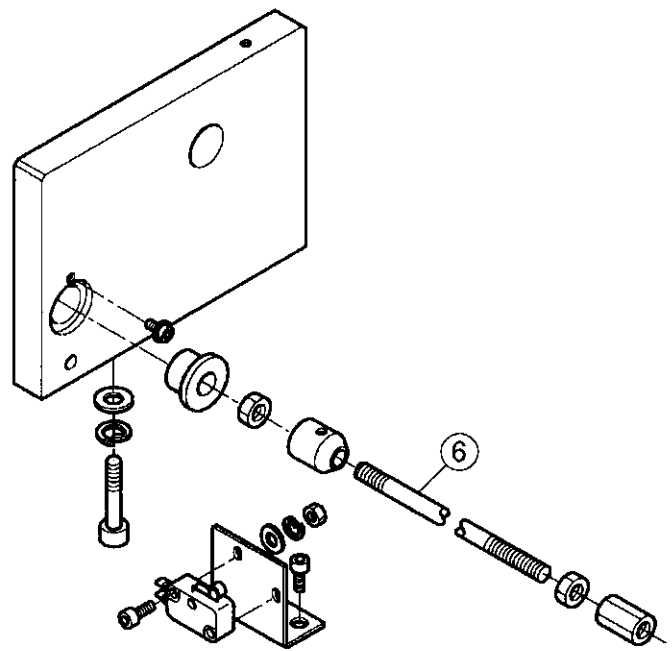
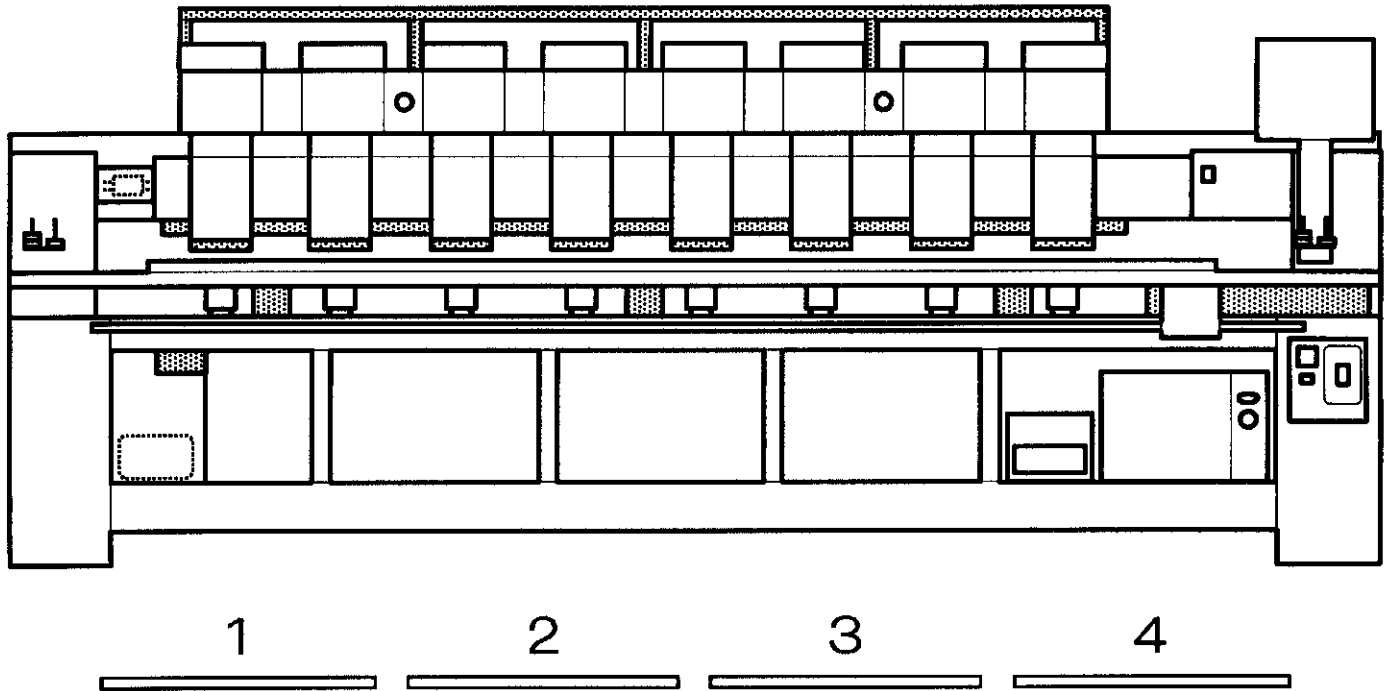




# THREAD CUT ACTUATION UNIT

# 8a-2

組 Ass'y	指図 Elt	部品番号 PARTS No.	PARTS NAMES	MF9A30a NOTE / 備考
	46	SCAA04008	Hexagon socket head cap screw (M4x8)	
	47	SCAA05012	Hexagon socket head cap screw (M5x12)	
	48	WSAA05000	Spring lock washer (M5)	
	49	WPAA05000	Plain washer (M5)	
	50	SCAA05015	Hexagon socket head cap screw (M5x15)	
	51	NHAA05000	Hexagon nut (M5)	
	52	SCAA06012	Hexagon socket head cap screw (M6x12)	
	53	SCAA06020	Hexagon socket head cap screw (M6x20)	
	54	WPAA10000	Plain washer (M10)	
	55	WSAA10000	Spring lock washer (M10)	
	56	SCAA10035	Hexagon socket head cap screw (M10x35)	
	57	WPAA03000	Plain washer (M3)	
	58	WSAA03000	Spring lock washer (M3)	
	59	NHAA03000	Hexagon nut (M3)	
	60	SCAA06010	Hexagon socket head cap screw (M6x10)	
	61	SCAA03015	Hexagon socket head cap screw (M3x15)	

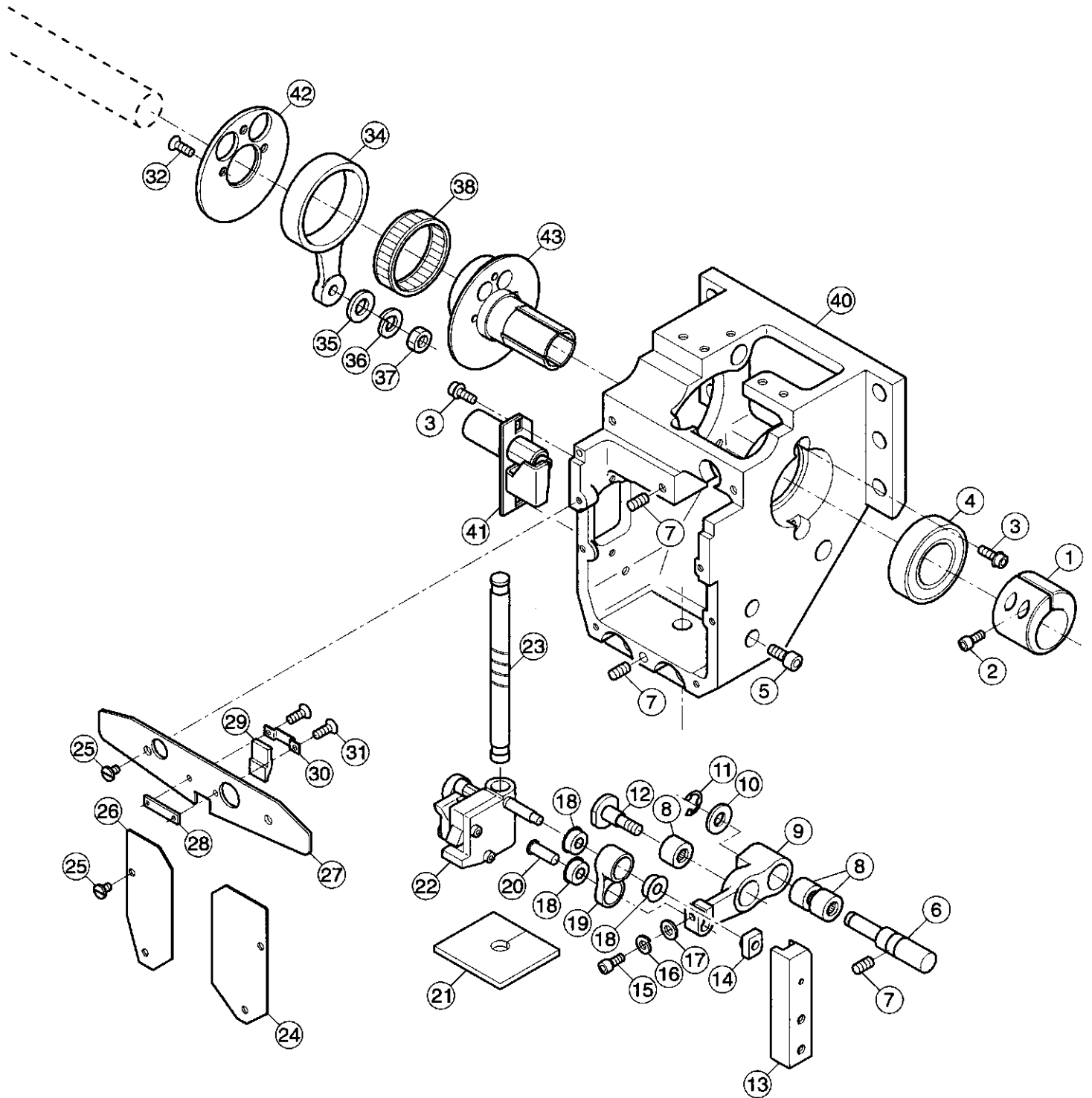


# THREAD CUT ACTUATION UNIT

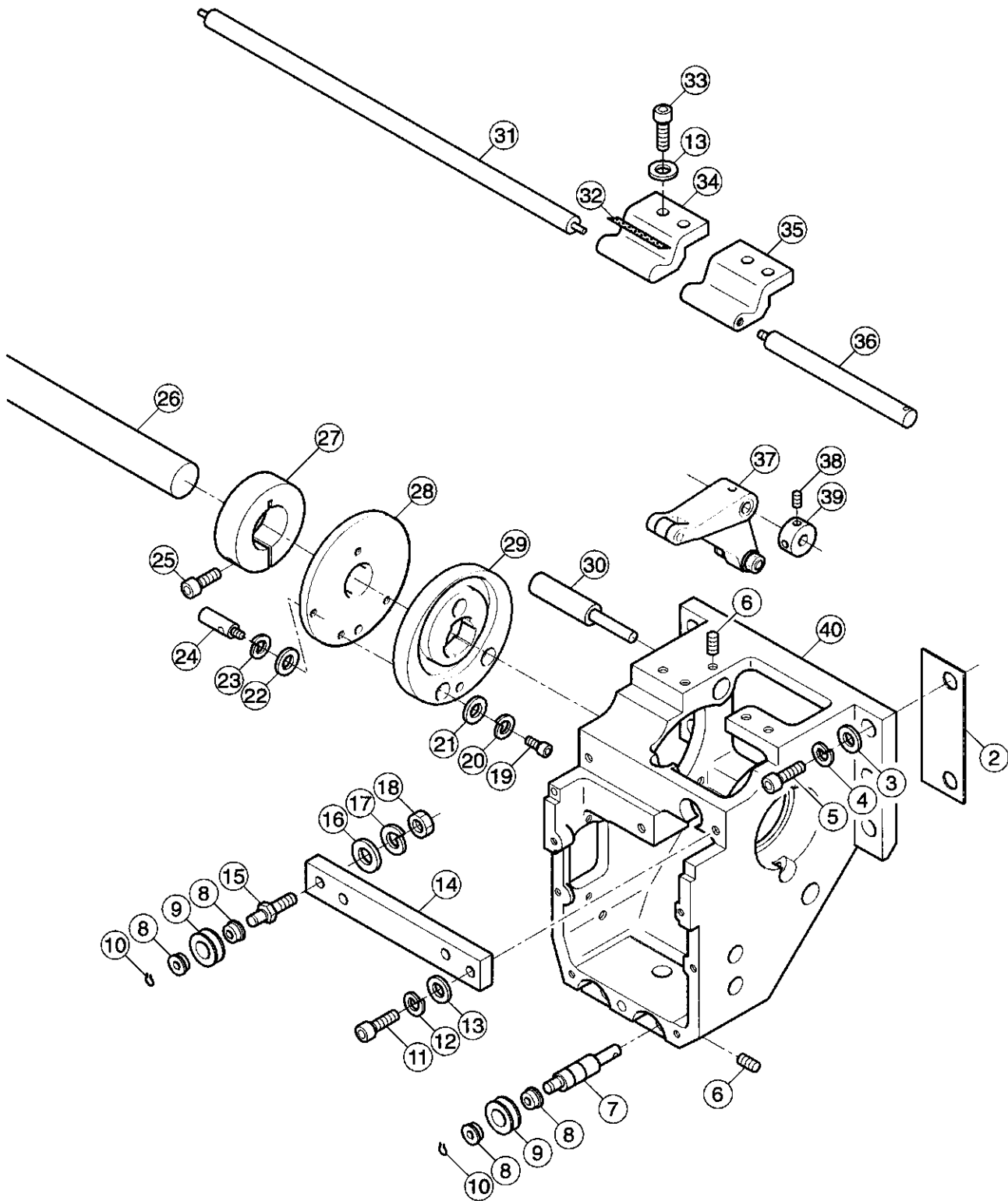
9a-1

CM9720

指図 / EIt PARTS NAMES		6 Moving shaft 1	6 Moving shaft 2	6 Moving shaft 3	6 Moving shaft 4
機種 MODEL	1 2 1 2 X-4 8	HMF06131	HMF06121	HMF06111	HMF06111
	1 0 1 2-4 8	HMF06121	HMF06111	HMF06121	HMF06111
	8 1 2-4 8	HMF06121	HMF06111	HMF06121	HMF06111
	8 0 6-4 8	HMF06151	HMF06121	-	-
	8 0 4-4 8	HMF06111	HMF06170	-	-
	7 2 0-3 0	HMF06161	HMF06131	HMF06131	-
	7 2 0 N-3 0	HMF06161	HMF06131	HMF06131	-
	1 2 1 2-3 0	HMF06121	HMF06121	HMF06121	-
	1 2 1 2 N-3 0	HMF06121	HMF06121	HMF06121	-
	1 0 1 2-3 0	HMF06121	HMF06121	HMF06121	-
	1 0 1 2 N-3 0	HMF06121	HMF06121	HMF06121	-
	8 1 2-3 0	HMF06121	HMF06121	HMF06121	-
	8 1 2 N-3 0	HMF06121	HMF06121	HMF06121	-
	1 2 1 6-3 6	HMF06121	HMF06131	HMF06111	HMF06180
	1 0 1 6-3 6	HMF06121	HMF06131	HMF06111	HMF06180
	8 1 6-3 6	HMF06121	HMF06131	HMF06111	HMF06180
	1 2 1 2-3 6	HMF06121	HMF06121	HMF06121	-
	1 0 1 2-3 6	HMF06121	HMF06121	HMF06121	-
	8 1 2-3 6	HMF06121	HMF06121	HMF06121	-
	1 0 0 6-3 6	HMF06121	HMF06111	-	-
8 0 6-3 6	HMF06121	HMF06111	-	-	



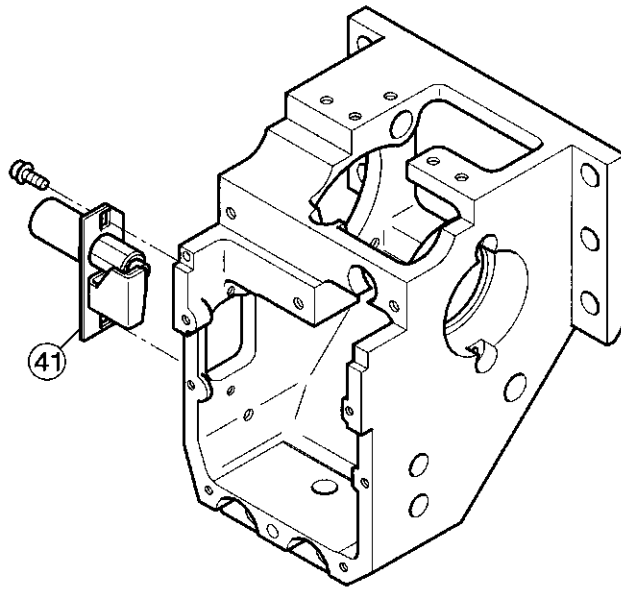
組 Ass'y	指図 El't	部品番号 PARTS No.	PARTS NAMES	MF1001 NOTE / 備考
	1	HCG08042	Fasten collar	
	2	SCAA04015	Hexagon socket head cap screw (M4x15)	
	3	SCBA04008	Hexagon socket head cap screw with flange (M4x8)	
	4	MPB00670	Bearing (6005LLB)	
	5	SCAA05012	Hexagon socket head cap screw (M5x12)	
	6	HCG08082	Pin (for needle bar driving lever)	
	7	SSAA05008	Hexagon socket set screw (M5x8)	
	8	MPB00680	Needle bearing (RNAO-8x15x10T2)	
	9	HCG08062	Needle bar driving lever	
	10	WPAA08000	Plain washer (M8)	
	11	MPR00060	E-ring (E-7)	
	12	HCG08073	Pin (for coupling rod)	
	13	HCG08140	Guide rail	
	14	M0408230	Slide block	
	15	SCAA04012	Hexagon socket head cap screw (M4x12)	
	16	WSAA04000	Spring lock washer (M4)	
	17	WPBA04000	Plain washer (M4)	
	18	MPB00660	Miniature bearing (LFW686ZZA)	
	19	HCG08092	Link	
	20	HCG08102	Pin (for link)	
	21	HMG08150	Felt (for fixed head)	
	22	HCG08114	Needle bar driver	
	23	HMF08040	Slide shaft	
	24	HMG08110	Lower face plate (right)	
	25	M0408440	Face plate screw	
	26	HMG08100	Lower face plate (left)	
	27	HMG08120	Upper face plate C	
	28	M0408430	Plate nut	
	29	HMG08130	Cushion B	
	30	M0408423	Holding plate	
	31	SGAB2E005	Flat head screw (cross recessed head, M2.5x5)	
	32	SCDA04008	Hexagon socket flat head screw (M4x8)	
	34	HCG08051	Connecting rod	
	35	WPAA06000	Plain washer (M6)	
	36	WSAA06000	Spring lock washer (M6)	
	37	NHAA06000	Hexagon nut (M6)	
	38	MPB00690	Needle bearing (K40x45x13)	
	40	HCG08390	Fixed head B	
	41	→10c	Jump solenoid ass'y (by model)	
	42	HCG08320	Plate B	
	43	HCG08340	Needle bar cam D	



# FIXED HEAD 2

10b-1

組 Ass'y	指図 El't	部品番号 PARTS No.	PARTS NAMES	MF0717 NOTE / 備考
	2	HMF08074	Head spacer	
	3	WPAA08000	Plain washer (M8)	
	4	WSAA08000	Spring lock washer (M8)	
	5	SCAA08025	Hexagon socket head cap screw (M8x25)	
	6	SSAA05008	Hexagon socket set screw (M5x8)	
	7	HMF08172	Lower roller pin	
	8	MPB00240	Bearing (LF1060ZZ)	
	9	M0408484	Bearing case	
	10	MPR00280	DIN-ring (G-6)	
	11	SCAA05020	Hexagon socket head cap screw (M5x20)	
	12	WSAA05000	Spring lock washer (M5)	
	13	WPAA05000	Plain washer (M5)	
	14	HCG08170	Roller pin guide	
	15	HMF08062	Upper roller pin	
	16	WPAA06000	Plain washer (M6)	
	17	WSAA06000	Spring lock washer (M6)	
	18	NHAA06000	Hexagon nut (M6)	
	19	SCAA04010	Hexagon socket head cap screw (M4x10)	
	20	WSAA04000	Spring lock washer (M4)	
	21	WPBA04000	Plain washer (M4)	
	22	WPAB04000	Plain washer (M4)	
	23	WSAB04000	Spring lock washer (M4)	
	24	C0408051	Positioning pin	
	25	SCAA06020	Hexagon socket head cap screw (M6x20)	
	26	→2a	Upper shaft (by model)	
	27	C0408040	Fasten collar	
	28	C0408030	Take-up lever cam fixing plate	
	29	HMF08270	Take-up lever cam	
	30	HCG08150	Cam lever shaft	
	31	HCG08220	Take-up lever guide bar (for HCM-1216-36, 1212-30, 1212N-30, 1212-36 type)	
	32	HMF08210	Take-up lever base tape	
	33	SCAA05015	Hexagon socket head cap screw (M5x15)	
	34	HMF08091	Take-up lever guide base (left)	
	35	HMF08101	Take-up lever guide base (right)	
	36	HMF08330	Take-up lever guide bar (for 7 needle)	
	36	HMF08340	Take-up lever guide bar (for 8 needle)	
	36	HMF08350	Take-up lever guide bar (for 10 needle)	
	36	HMF08360	Take-up lever guide bar (for 12 needle)	
	37	C0408065	Cam lever ass'y	
	38	SSAA04006	Hexagon socket set screw (M4x6)	
	39	HCG08160	Cam lever shaft collar	
	40	HCG08390	Fixed head B	

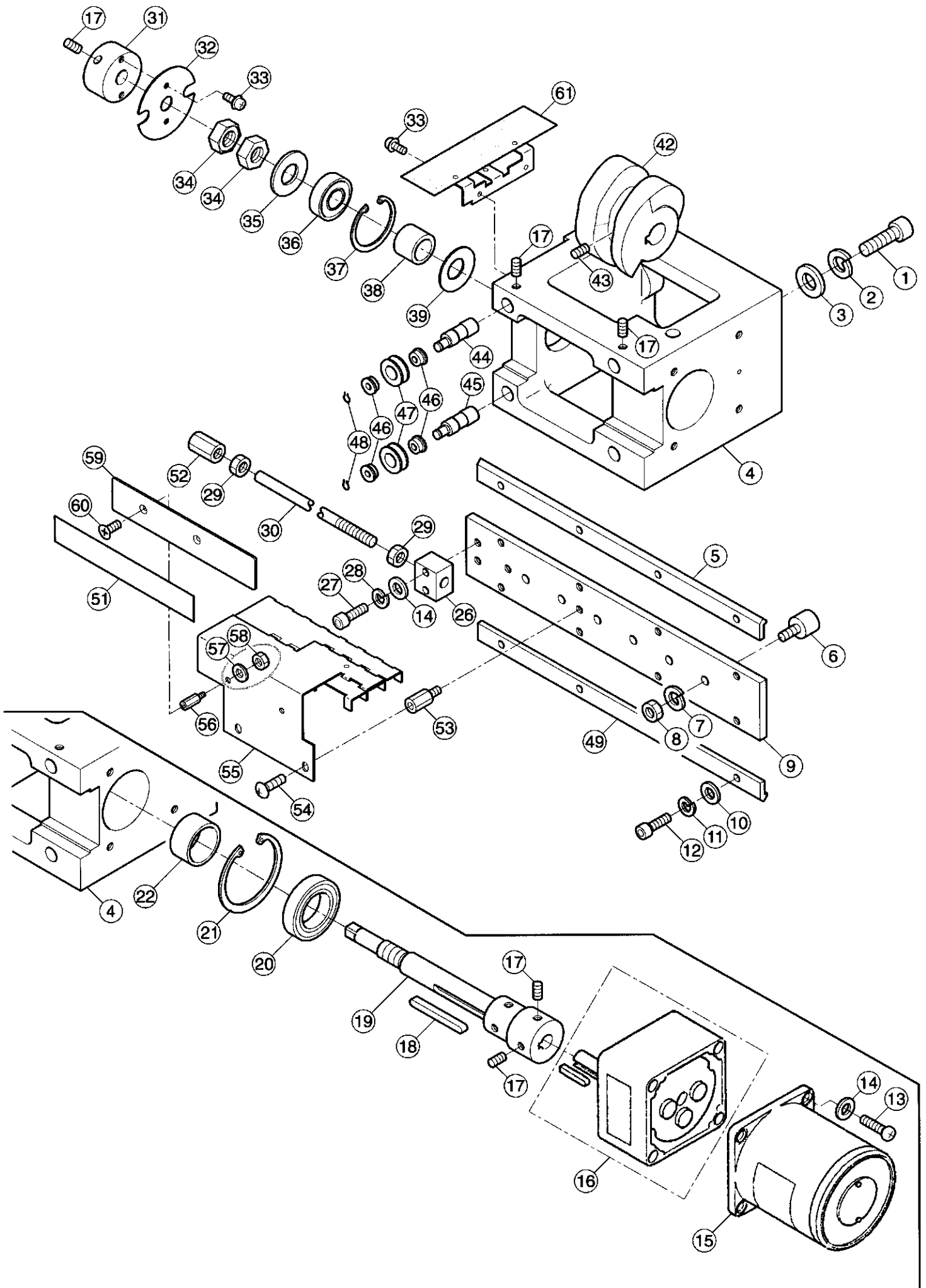




指図 / EIT		41		
PARTS NAMES		Jump solenoid ass'y		
機種 MODEL	1 2 1 2 X-4 8	HMF08290		
	1 0 1 2-4 8	HMF08290		
	8 1 2-4 8	HMF08290		
	8 0 6-4 8	HMF08300		
	8 0 4-4 8	HMF08300		
	7 2 0-3 0	HMF08300		
	7 2 0 N-3 0	HMF08300		
	1 2 1 2-3 0	HMF08290		
	1 2 1 2 N-3 0	HMF08290		
	1 0 1 2-3 0	HMF08290		
	1 0 1 2 N-3 0	HMF08290		
	8 1 2-3 0	HMF08300		
	8 1 2 N-3 0	HMF08300		
	1 2 1 6-3 6	HMF08290		
	1 0 1 6-3 6	HMF08290		
	8 1 6-3 6	HMF08290		
	1 2 1 2-3 6	HMF08290		
	1 0 1 2-3 6	HMF08290		
	8 1 2-3 6	HMF08300		
	1 0 0 6-3 6	HMF08290		
8 0 6-3 6	HMF08300			

# NEEDLE BAR CHANGE UNIT

MF3512s 11a-1



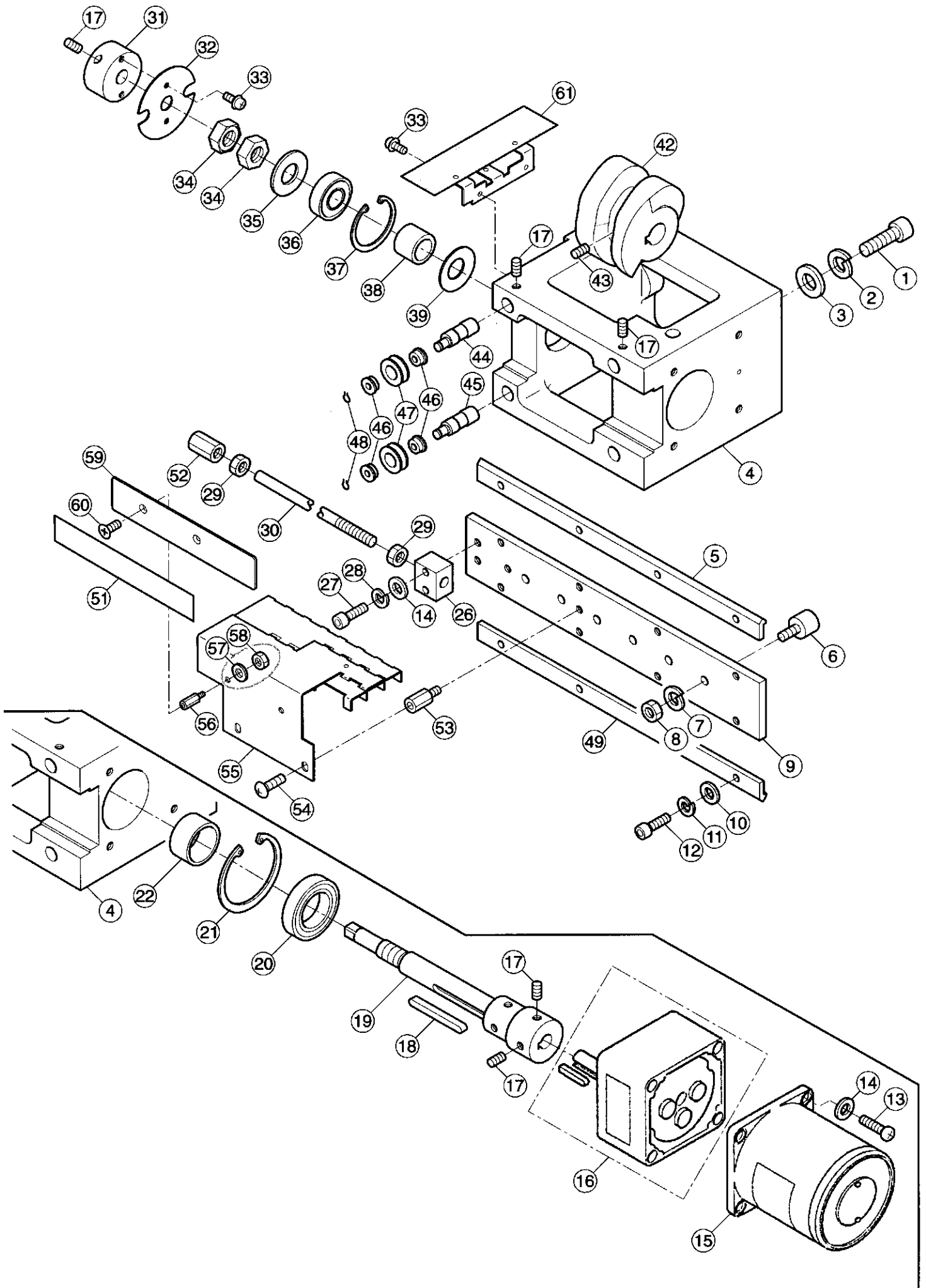
# NEEDLE BAR CHANGE UNIT

11a-1

組 Ass'y	指図 Elt	部品番号 PARTS No.	PARTS NAMES	MF3512s NOTE / 備考
	1	SCAA08025	Hexagon socket head cap screw (M8x25)	
	2	WSAA08000	Spring lock washer (M8)	
	3	WPAA08000	Plain washer (M8)	
	4	HMF10012	Base	
	5	HMF10111	Rail	
	5	HCG10020	Rail, upper (for 10 needle)	
	5	HCG10210	Rail (for 12 needle)	
	6	MPB00230	Cam follower (with nut, KR16XLL)	
	7	WSAA06000	Spring lock washer (M6)	
	8	NHAA06000	Hexagon nut (M6)	
	9	HMF10100	Slide bar	
	9	HCG10010	Slide bar (for 10 needle)	
	9	HCG10200	Slide bar (for 12 needle)	
	10	WPAD05000	Plain washer (M5)	
	11	WSAD05000	Spring lock washer (M5)	
	12	SCAD05012	Hexagon socket head cap screw (M5x12)	
	13	SPAA05050	Pan head screw (cross recessed, M5x50)	
	14	WPAA05000	Plain washer (M5)	
	15	EPM00090	Motor	
	15	HMX78011	Motor (for 10 needle, 12 needle, HCM-816-36type)	
	16	EPM00020	Gear head	
	16	EPM00380	Gear head (for 10 needle, 12 needle, HCM-816-36type)	
	17	SSAA05008	Hexagon socket set screw (M5x8)	
	18	MPK00010	Key (both round, 5x5x47)	
	19	HMF10020	Drive shaft ass'y	
	20	MPB00610	Bearing (6905ZZ)	
	21	MPR00440	JO-ring (JO-42)	
	22	HMF10060	Collar	
	26	HMF10180	Shaft holder	
	26	HCG10231	Shaft holder (for 12 needle)	
	27	SCAA05025	Hexagon socket head cap screw (M5x25)	
	28	WSAA05000	Spring lock washer (M5)	
	29	M0404280	Nut	
	30	→12a	Moving shaft (by model)	
	31	HMF10080	Slit disc boss	
	32	HMF10072	Slit disc	
	33	SPDD03006	Pan head screw (cross recessed, M3x6)	
	34	NHAB12000	Hexagon nut (M12)	
	35	WPAB14000	Plain washer (M14)	
	36	MPB00220	Bearing (6002ZZ)	
	37	MPR00070	C-ring (C-32)	
	38	M0410082	Collar A	
	39	MPS00050	Conical spring	
	42	M0410070	grooved cam	
	43	SSAA04008	Hexagon socket set screw (M4x8)	
	44	HMF10152	Upper pin	
	45	HMF10172	Lower pin	
	46	MPB00240	Bearing (LF1060ZZ)	
	47	M0408484	Bearing case	
	48	MPR00280	DIN-ring (G-6)	

# NEEDLE BAR CHANGE UNIT

MF3512s 11a-2



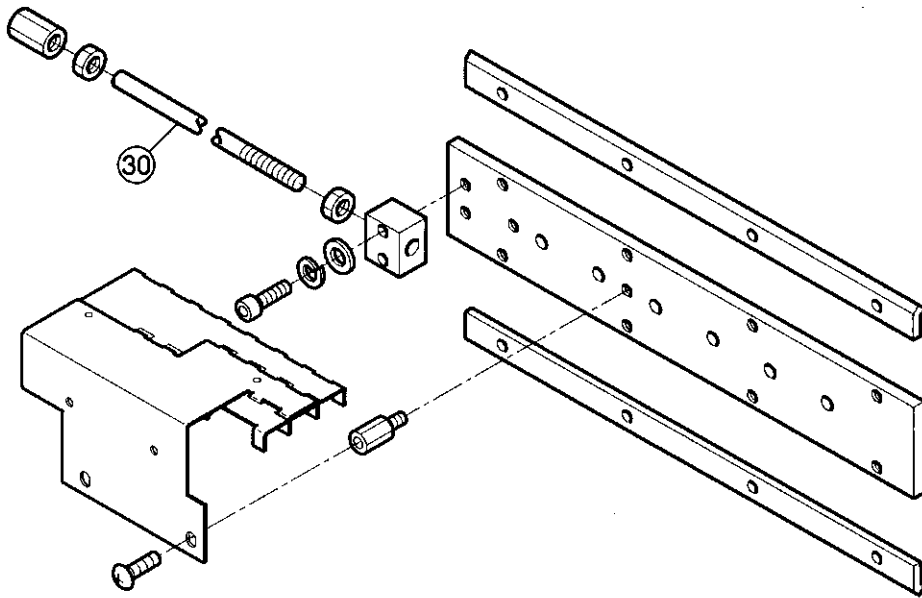
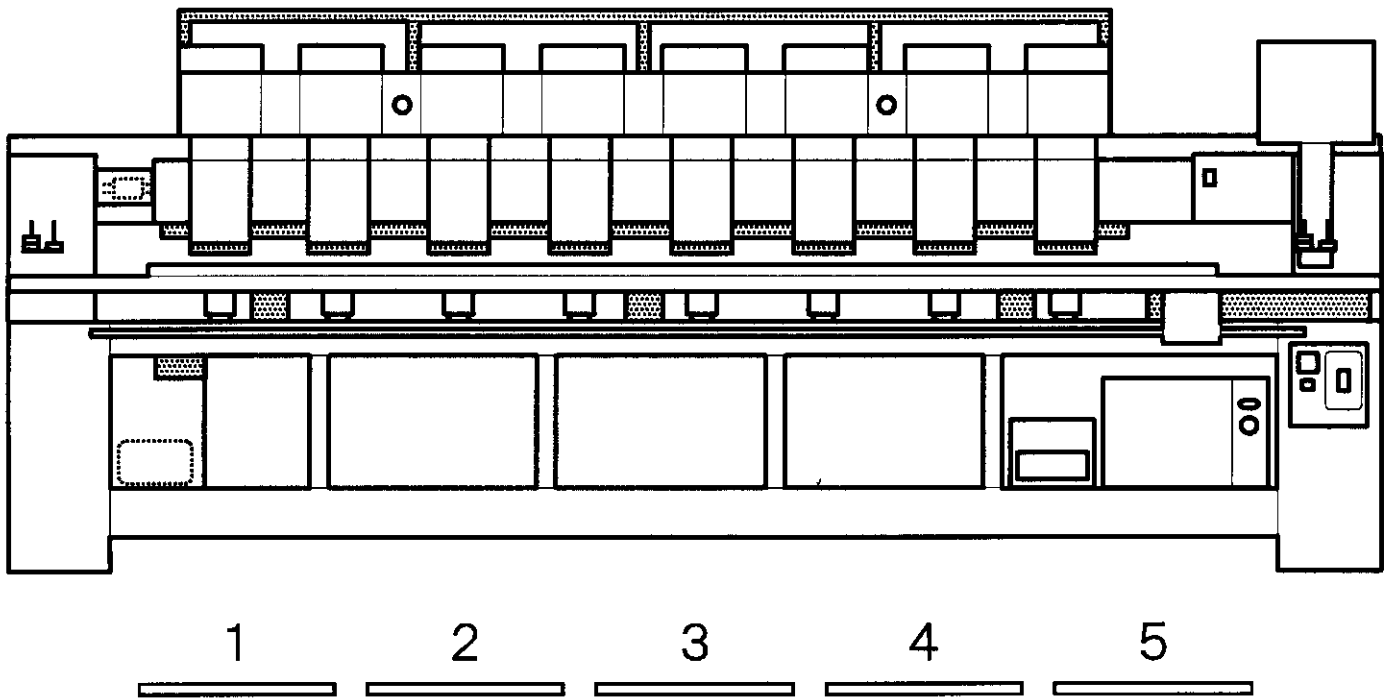
# NEEDLE BAR CHANGE UNIT

11a-2

組 Ass'y	指図 Elt	部品番号 PARTS No.	PARTS NAMES	MF3512s NOTE / 備考
	49	HMF10111	Rail	
	49	HCG10030	Rail, lower (for 10 needle)	
	49	HCG10210	Rail (for 12 needle)	
	51	M0451270	Needle number display sticker	
	51	HMF51180	Needle number display sticker (for 10 needle)	
	51	HMX51011	Needle number display sticker (for 12 needle)	
	52	M0404292	Joint	
	53	MPZ02020	Spacer (BSB-515)	
	54	STAB05006	Truss head screw (cross recessed, M5x6)	
	55	HMF10780	Needle bar position detecting plate (for 7,8 needle)	
	55	HMG10110	Needle bar position detecting plate (for 10 needle)	
	55	HMG10140	Needle bar position detecting plate (for 12 needle)	
	56	MPZ00470	Spacer (BSB-312)	
	57	WPAD03000	Plain washer (M3)	
	58	NHAD03000	Hexagon nut (M3)	
	59	HMF10760	Sticker bracket (for 7,8 needle)	
	59	HMG10080	Sticker bracket (for 10 needle)	
	59	HMG10090	Sticker bracket (for 12 needle)	
	60	SGAD03006	Flat head screw (M3x6)	
	61	HCG83181	Needle bar position detecting board ass'y	

# NEEDLE BAR CHANGE UNIT

MF3512 12a-1



# NEEDLE BAR CHANGE UNIT

12a-1

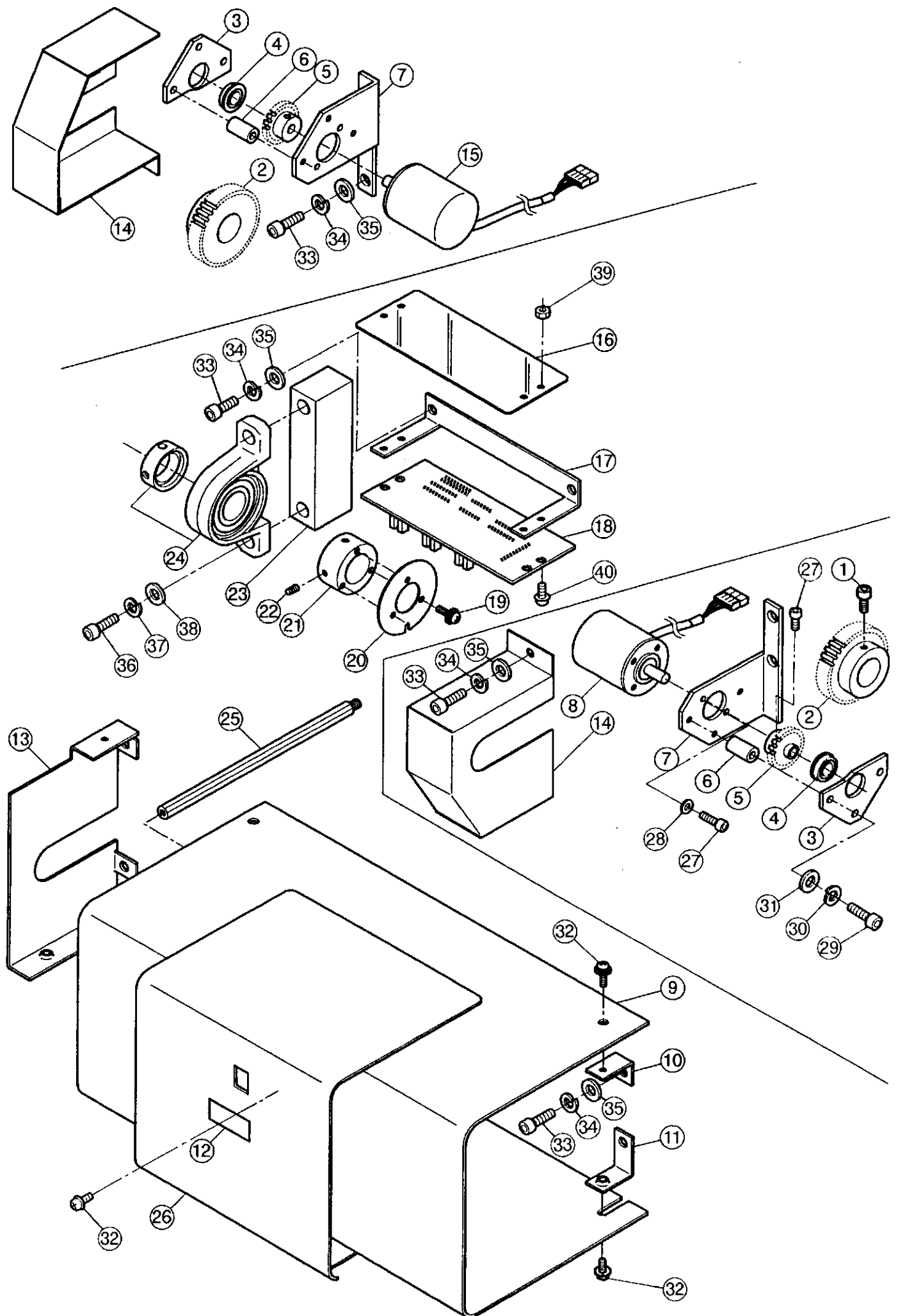
CM9720

指図 / EIT PARTS NAMES		11 Moving shaft 1	11 Moving shaft 2	11 Moving shaft 3	11 Moving shaft 4
機種 MODEL	1 2 1 2 X-4 8	HCM06040	HCM06020	HMF06151	HCM10250
	1 0 1 2-4 8	HMF06220	HMF06121	HMF06151	HCM10180
	8 1 2-4 8	HMF06170	HMF06121	HMF06151	HMF06161
	8 0 6-4 8	HMF06161	HMF06151	-	-
	8 0 4-4 8	HMF06180	HMF06111	-	-
	7 2 0-3 0	HMF06190	HCM06020	HMF06111	-
	7 2 0 N-3 0	HMF06190	HCM06020	HMF06111	-
	1 2 1 2-3 0	HMF06200	HCM06050	HMF06121	HCM10220
	1 2 1 2 N-3 0	HMF06200	HCM06050	HMF06121	HCM10220
	1 0 1 2-3 0	HMF06111	HMF06131	HMF06111	HCM10100
	1 0 1 2 N-3 0	HMF06111	HMF06131	HMF06111	HCM10100
	8 1 2-3 0	HMF06151	HMF06131	HMF06131	-
	8 1 2 N-3 0	HMF06151	HMF06131	HMF06131	-
	1 2 1 6-3 6	HCM06040	HMF06131	HMF06121	HCM06050
	1 0 1 6-3 6	HMF06151	HMF06131	HMF06121	HCM06050
	8 1 6-3 6	HCM06040	HMF06121	HMF06131	HCM06050
	1 2 1 2-3 6	HMF06200	HCM06050	HMF06121	HCM10220
	1 0 1 2-3 6	HMF06111	HMF06131	HMF06111	HCM10100
	8 1 2-3 6	HMF06151	HMF06131	HMF06131	-
	1 0 0 6-3 6	HMF06210	HMF06141	HCM10180	-
8 0 6-3 6	HMF06200	HMF06121	-	-	

指図 / EIT PARTS NAMES		11 Moving shaft 5		
機種 MODEL	1 2 1 2 X-4 8	-		
	1 0 1 2-4 8	-		
	8 1 2-4 8	-		
	8 0 6-4 8	-		
	8 0 4-4 8	-		
	7 2 0-3 0	-		
	7 2 0 N-3 0	-		
	1 2 1 2-3 0	-		
	1 2 1 2 N-3 0	-		
	1 0 1 2-3 0	-		
	1 0 1 2 N-3 0	-		
	8 1 2-3 0	-		
	8 1 2 N-3 0	-		
	1 2 1 6-3 6	HCM10220		
	1 0 1 6-3 6	HCM10100		
	8 1 6-3 6	HCM10100		
	1 2 1 2-3 6	-		
	1 0 1 2-3 6	-		
	8 1 2-3 6	-		
	1 0 0 6-3 6	-		
8 0 6-3 6	-			

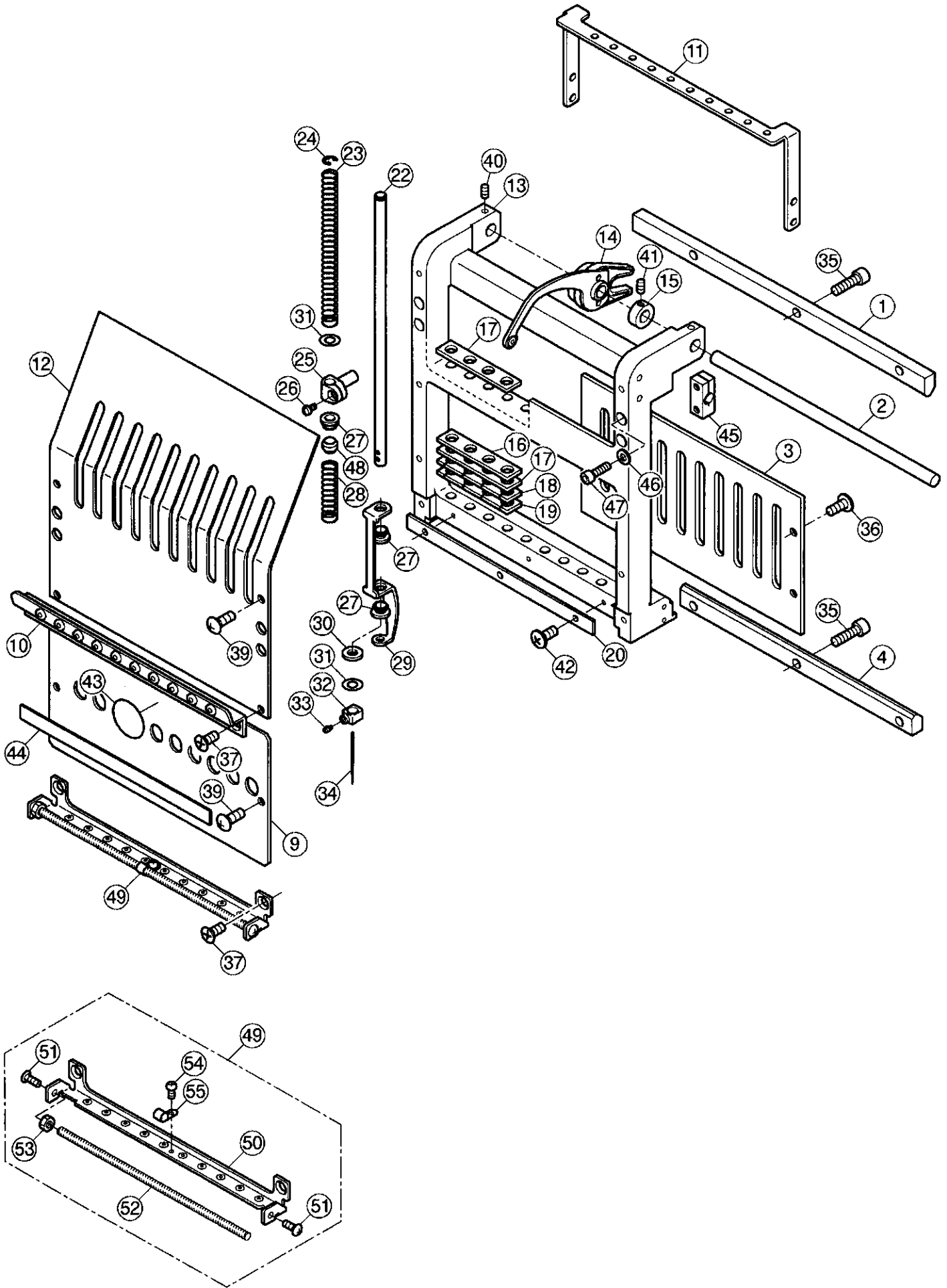
# DETECTING UNIT

MF9A30s 13a-1





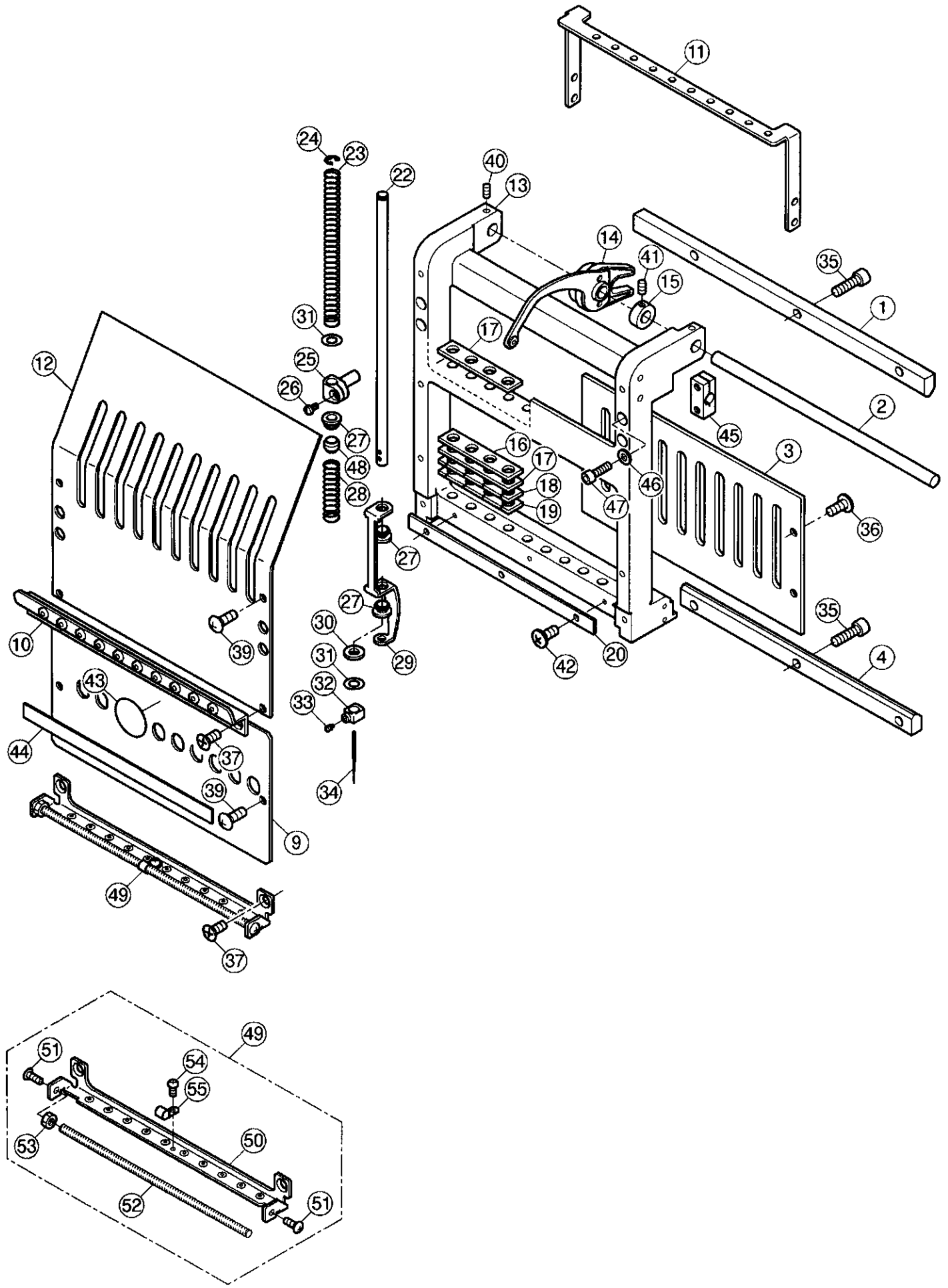
組 Ass'y	指図 El't	部品番号 PARTS No.	PARTS NAMES
	1	SCAA04010	Hexagon socket head cap screw (M4x10)
	2	HMF10210	Encoder drive gear A
	3	HMF10203	Encoder bracket B
	4	MPB00620	Bearing (LF1680ZZ)
	5	HMF10221	Encoder drive gear B
	6	HMF10230	Encoder collar
	7	HMF10194	Encoder bracket A
	8	MO402670	Rotary encoder A
	9	→15a	Cover (by model)
	10	HMF10281	Cover bracket B
	11	HMF10270	Cover bracket A
	12	MO451060	-
	12	MO451070	Needle number sticker
	13	HMF10291	Side cover
	14	HMF10351	Encoder cover B
	15	HMF84010	Rotary encoder B
	16	C0402070	Board cover
	17	HMF10251	Board bracket
	18	HMF83050	Timing detecting board ass'y
	19	SPDD03006	Pan head screw (M3x6)
	20	HMF10610	Detecting slit disc
	21	C0402041	Slit disc boss
	22	SSAA05008	Hexagon socket set screw (M5x8)
	23	HMF10260	Spacer
	24	MPB00050	Bearing block
	25	HCM10020	Stud (for HCM-Y480, 1006-36, 806-36 type)
	26	HCM10111	Cover (for HMF-W1215, HCM-1016-36, 816-36 type)
	27	SCAA03008	Hexagon socket head cap screw (M3x8)
	28	WPAA03000	Plain washer (M3)
	29	SCAA04028	Hexagon socket head cap screw (M4x28)
	30	WSAA04000	Spring lock washer (M4)
	31	WPAA04000	Plain washer (M4)
	32	SPDD04008	Pan head screw (cross recessed, M4x8)
	33	SCAA06012	Hexagon socket head cap screw (M6x12)
	34	WSAA06000	Spring lock washer (M6)
	35	WPAA06000	Plain washer (M6)
	36	SCAA08055	Hexagon socket head cap screw (M8x55)
	37	WSAA08000	Spring lock washer (M8)
	38	WPAA08000	Plain washer (M8)
	39	NHAD03000	Hexagon nut (M3)
	40	SPDD03008	Pan head screw (cross recessed, M3x8)



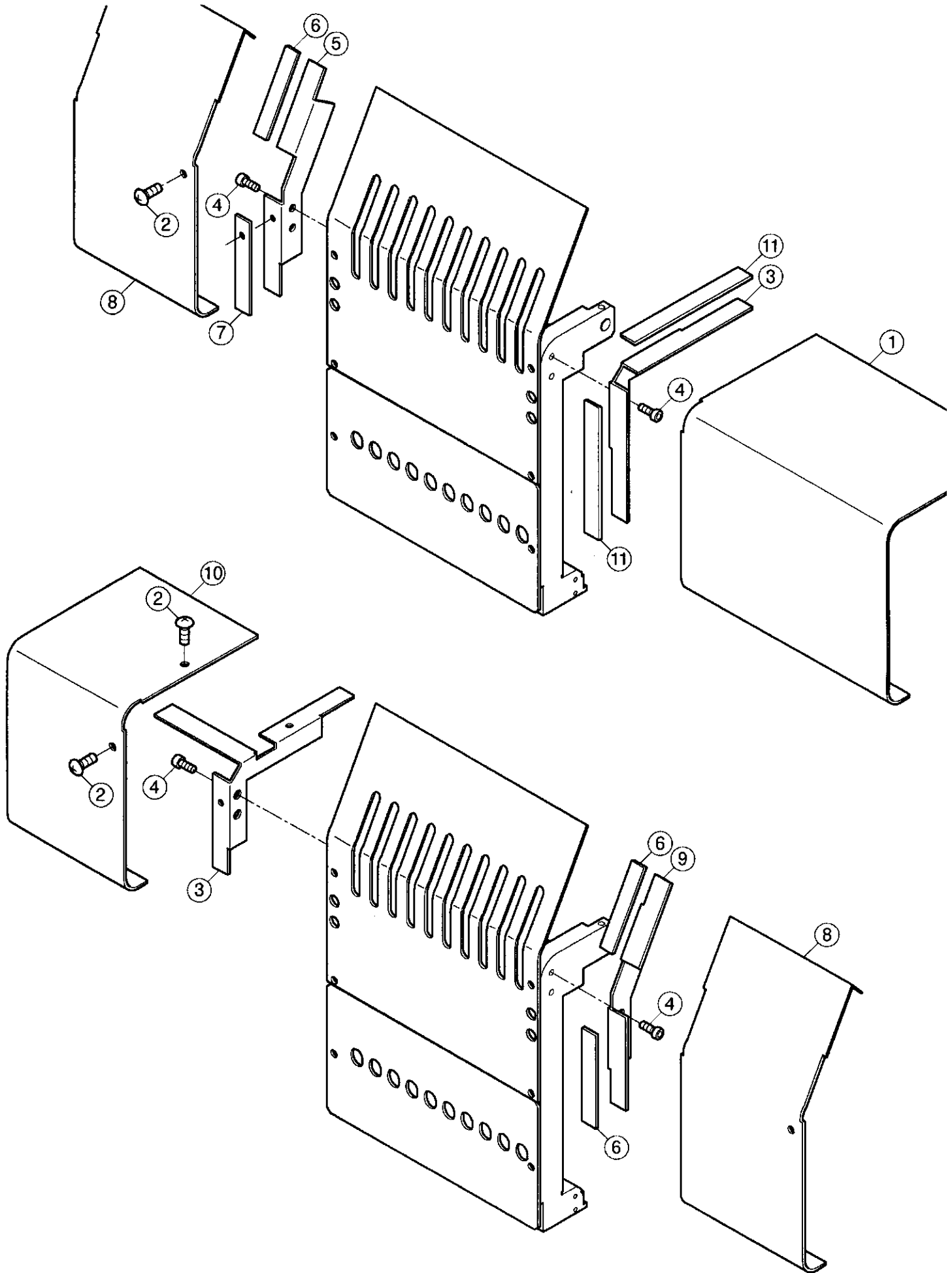
# MOVING HEAD 1

14a-1

組 指図 Ass'y El't	部品番号 PARTS No.	PARTS NAMES	MF1001 NOTE / 備考
1	HMF12161	Upper rail (for 7 needle)	
1	HMF12171	Upper rail (for 8 needle)	
1	HCG12011	Upper rail (for 10 needle)	
1	HCG12101	Upper rail (for 12 needle)	
2	M0412060	Take-up lever shaft (for 7 needle)	
2	M0412070	Take-up lever shaft (for 8 needle)	
2	HMG12070	Take-up lever shaft (for 10 needle)	
2	HMG12270	Take-up lever shaft (for 12 needle)	
3	HMF12182	Needle bar boss check plate (for 7 needle)	
3	HMF12192	Needle bar boss check plate (for 8 needle)	
3	HMG12092	Needle bar boss check plate (for 10 needle)	
3	HMG12291	Needle bar boss check plate (for 12 needle)	
4	M0412120	Rail 2 (for 7 needle)	
4	M0412130	Rail 2 (for 8 needle)	
4	HMG12111	Lower rail (for 10 needle)	
4	HMG12301	Lower rail (for 12 needle)	
9	HMF12240	Lower front panel (for 7 needle)	
9	HMF12250	Lower front panel (for 8 needle)	
9	HMG12131	Lower front panel (for 10 needle)	
9	HMG12311	Lower front panel (for 12 needle)	
10	HMF12650	Thread guide plate B ass'y (for 7 needle)	
10	HMF12670	Thread guide plate B ass'y (for 8 needle)	
10	HMG12210	Thread guide plate B ass'y (for 10 needle)	
10	HMG12340	Thread guide plate B ass'y (for 12 needle)	
11	HMG12900	Thread guide plate C ass'y (for 7 needle)	
11	HMG12910	Thread guide plate C ass'y (for 8 needle)	
11	HMG12920	Thread guide plate C ass'y (for 10 needle)	
11	HMG12930	Thread guide plate C ass'y (for 12 needle)	
12	HMF12224	Upper front panel (for 7 needle)	
12	HMF12234	Upper front panel (for 8 needle)	
12	HMG12120	Upper front panel (for 10 needle)	
12	HMG12330	Upper front panel (for 12 needle)	
13	HMG13140	Moving head (for 7 needle)	
13	HMG13130	Moving head (for 8 needle)	
13	HMG13120	Moving head (for 10 needle)	
13	HMG13110	Moving head (for 12 needle)	
14	HMF12812	Take-up lever ass'y	
15	HMF12152	Collar	
16	HMG12592	Urethane sheet	
17	HMG12582	Pressure foot felt (3.0mm)	
18	M0412500	Pressure foot felt (1.0mm)	
18	M0412510	Pressure foot felt (1.5mm)	
18	M0412610	Pressure foot felt (2.0mm)	
19	HMF12290	Adjusting sheet A	
20	HMF12070	Pressure foot sheet (for 7 needle)	
20	HMF12080	Pressure foot sheet (for 8 needle)	
20	HMG12080	Pressure foot sheet (for 10 needle)	
20	HMG12280	Pressure foot sheet (for 12 needle)	
22	M0412164	Needle bar	
23	HMF12090	Needle bar spring (upper)	
24	MPR00080	E-ring (E-5)	
25	M0412812	Needle bar boss	
26	M0412200	Screw for needle bar boss	
27	HMF12112	Bushing	
28	HCM12011	Needle bar spring (lower)	



組 Ass'y	指図 E/It	部品番号 PARTS No.	PARTS NAMES	MF9B17 NOTE / 備考
	29	HMG12750	Pressure foot	
	30	HMG12261	Needle holder cushion	
	31	WPBD06000	Plain washer (M6)	
	32	HMG12200	Needle holder B	
	33	HMG12230	Screw for needle holder	
	34	MPZ00150	Needle (#11)	
	35	SCAA04015	Hexagon socket head cap screw (M4x15)	
	36	SBAB04006	Binding head screw (M4x6)	
	37	SGAB04008	Flat head screw (cross recessed head, M4x8)	
	39	STAB04008	Truss head screw (cross recessed, M4x8)	
	40	SSAA04004	Hexagon socket set screw (M4x4)	
	41	SSAA03006	Hexagon socket set screw (M3x6)	
	42	SBAD03006	Binding head screw (M3x6)	
	43	-	Number sticker	
	44	M0412382	Thread holding rubber (for 7, 8 needle)	
	44	HMG12470	Thread holding rubber B (for 10, 12 needle)	
	45	HMF12310	Fasten block	
	46	WPBA04000	Plain washer (M4)	
	47	SCCA04025	Hexagon socket head cap screw (M4x25)	
	48	HMG12430	Guide tube	
	49	HMG12720	Lower thread guide plate ass'y (for 7 needle)	
	49	HMG12710	Lower thread guide plate ass'y (for 8 needle)	
	49	HMG12700	Lower thread guide plate ass'y (for 10 needle)	
	49	HMG12690	Lower thread guide plate ass'y (for 12 needle)	
	50	HMG12681	Lower thread guide plate (for 7 needle)	
	50	HMG12671	Lower thread guide plate (for 8 needle)	
	50	HMG12661	Lower thread guide plate (for 10 needle)	
	50	HMG12651	Lower thread guide plate (for 12 needle)	
	51	STAB04012	Truss head screw (cross recessed, M4x12)	
	52	HMG12640	Spring (for 7 needle)	
	52	HMG12630	Spring (for 8 needle)	
	52	HMG12620	Spring (for 10 needle)	
	52	HMG12610	Spring (for 12 needle)	
	53	NHAB04000	Hexagon nut (M4)	
	54	SPAB03005	Pan head screw (cross recessed, M3x5)	
	55	HMG12600	Spring bracket	

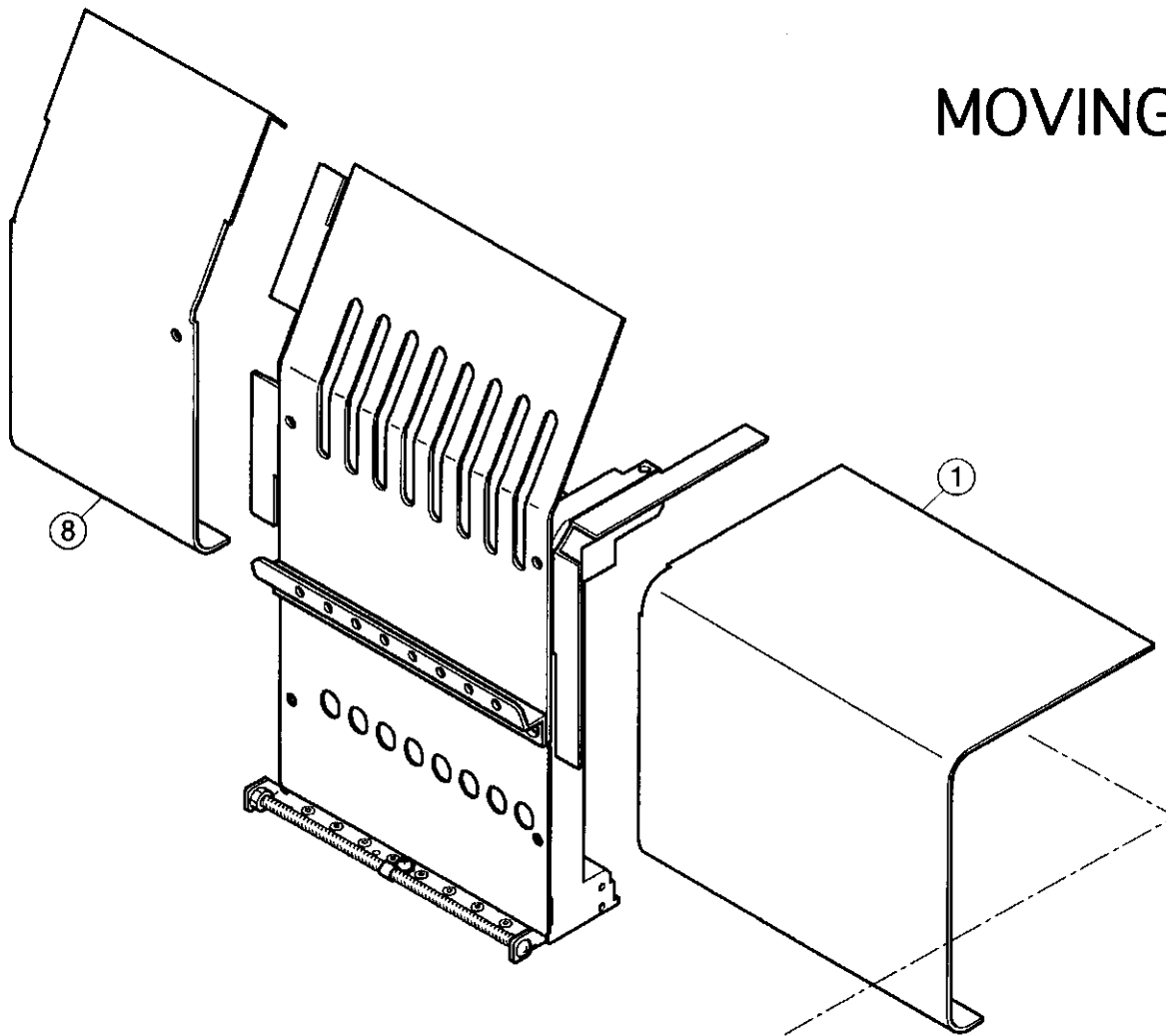


# MOVING HEAD 2

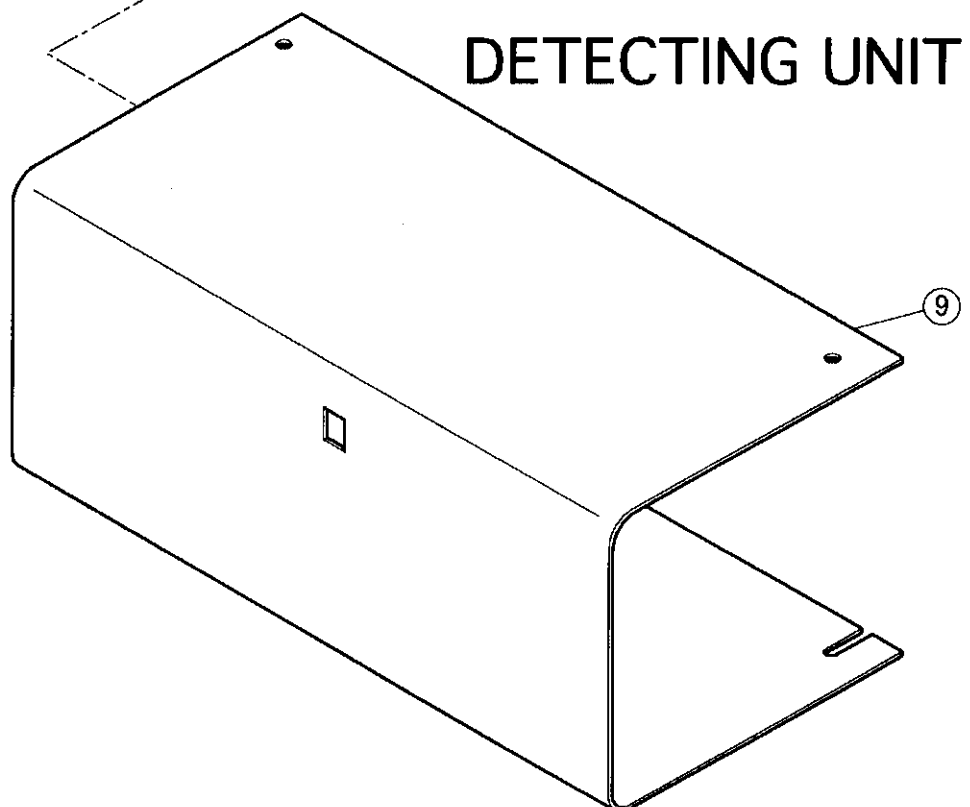
# 14b-1

組	指図	部品番号		MF9827
Ass'y	El't	PARTS No.	PARTS NAMES	NOTE / 備考
	1	→15a	Cover, right (by model)	
	2	STAB04008	Truss head screw (cross recessed, M4x8)	
	3	HMF13013	Cover bracket	
	4	SCAA04008	Hexagon socket head cap screw (M4x8)	
	5	HMF13292	Cover bracket, left	
	6	HMF13302	Cover magnet	
	7	HMF13410	Cover magnet B	
	8	→15a	Cover, center (by model)	
	9	HMF13282	Cover bracket, right	
	10	HCM13101	Cover, left	
	10	HMF13460	Cover, left (for 12 needle)	
	11	SF530502	Magnet (A) for cover bracket	

## MOVING HEAD



## DETECTING UNIT

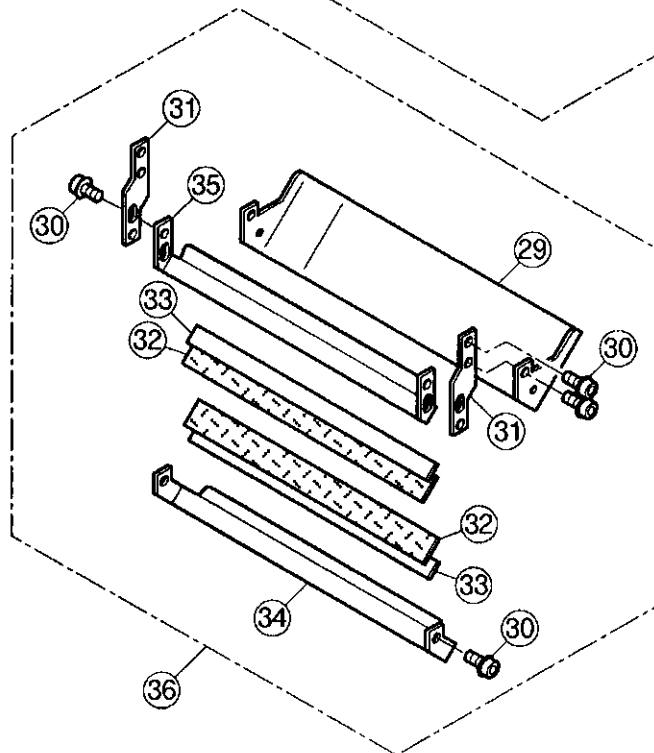
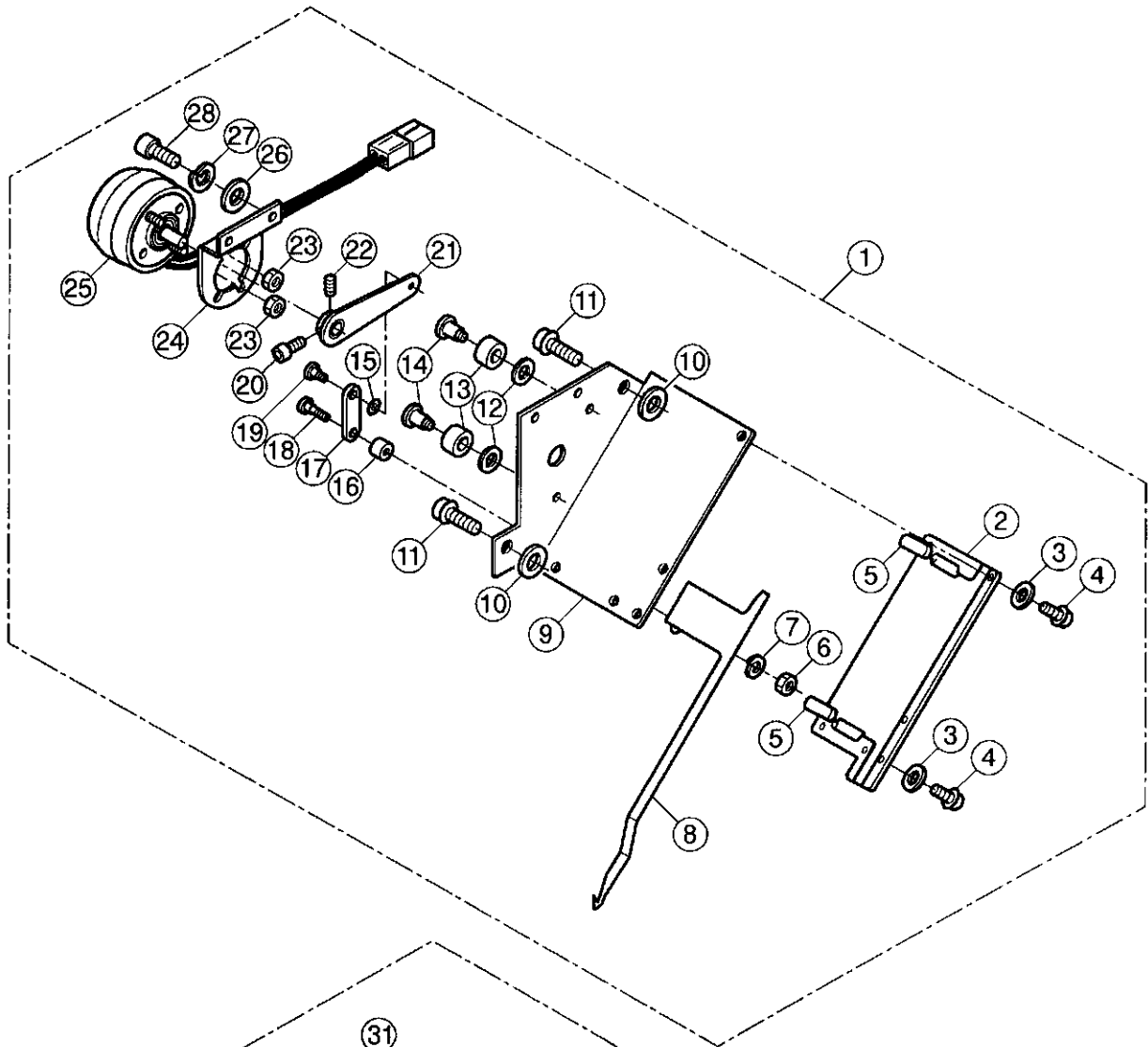




	指図 / EIt PARTS NAMES	9 Cover	1 Cover, right	8 Cover, center
機種 MODEL	1 2 1 2 X - 4 8	HCM10260	HMF13323	HCM13130
	1 0 1 2 - 4 8	HCM10081	HMF13033	HCM13090
	8 1 2 - 4 8	HCM10081	HMF13033	HCM13063
	8 0 6 - 4 8	HCM10061	HMF13033	HCM13023
	8 0 4 - 4 8	HCM10061	HMF13033	HCM13023
	7 2 0 - 3 0	HMF10361	HMF13023	HCM13073
	7 2 0 N - 3 0	HMF10361	HMF13023	HCM13073
	1 2 1 2 - 3 0	HCM10230	HMF13323	HCM13120
	1 2 1 2 N - 3 0	HCM10230	HMF13323	HCM13120
	1 0 1 2 - 3 0	HCM10072	HMF13033	HCM13110
	1 0 1 2 N - 3 0	HCM10072	HMF13033	HCM13110
	8 1 2 - 3 0	HCM10072	HMF13033	HCM13043
	8 1 2 N - 3 0	HCM10072	HMF13033	HCM13043
	1 2 1 6 - 3 6	HCM10230	HMF13323	HCM13120
	1 0 1 6 - 3 6	HCM10120	HMF13033	HCM13110
	8 1 6 - 3 6	HCM10120	HMF13033	HCM13043
	1 2 1 2 - 3 6	HCM10230	HMF13323	HCM13120
	1 0 1 2 - 3 6	HCM10072	HMF13033	HCM13110
	8 1 2 - 3 6	HCM10072	HMF13033	HCM13043
	1 0 0 6 - 3 6	HCM10092	HMF13033	HCM13090
8 0 6 - 3 6	HCM10092	HMF13033	HCM13063	

# THREAD CATCHER

CGB8601 16a-1

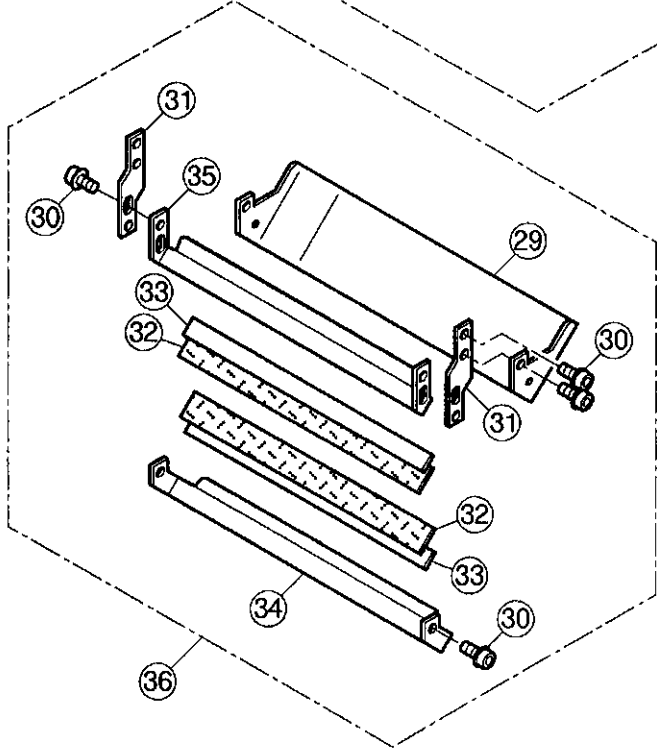
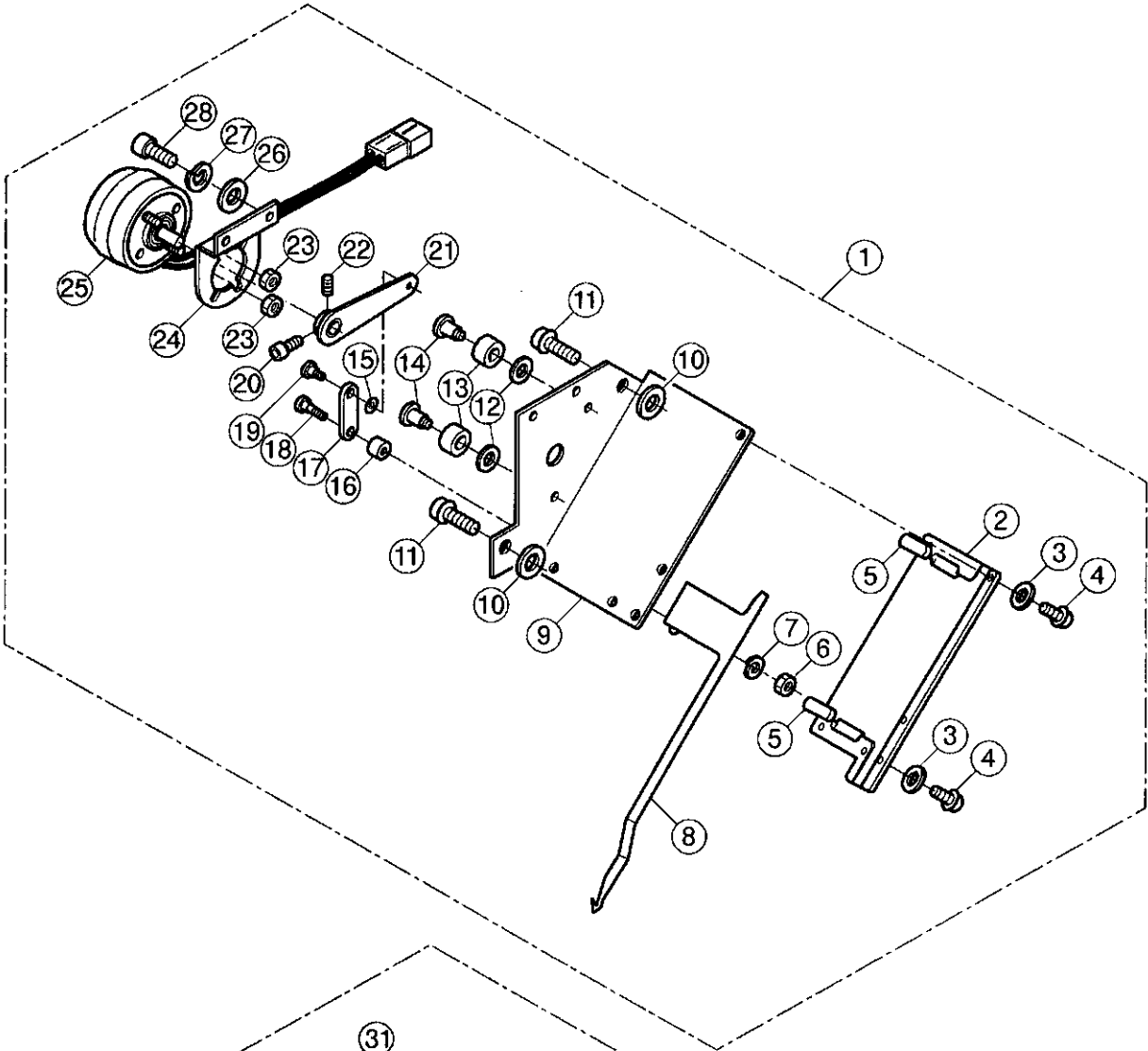


# THREAD CATCHER

# 16a-1

組 Ass'y	指図 Elt	部品番号 PARTS No.	PARTS NAMES	CGB8601 NOTE / 備考
	1	HCM914120	Thread catcher ass'y	
	2	HMF14170	Guide plate B	
	3	WPAB03000	Plain washer (M3)	
	4	SPDB03008	Pan head screw (cross recessed, M3x8)	
	5	M0414180	Cushion	
	6	NHAA03000	Hexagon nut (M3)	
	7	WSAA03000	Spring lock washer (M3)	
	8	C0414055	Hook	
	9	HCM14012	Bracket	
	10	WPBA06000	Plain washer (M6)	
	11	SCBA05008	Hexagon socket head cap screw with flange (M5x8)	
	12	WPAD04000	Plain washer (M4)	
	13	M0412241	Plastic ring	
	14	M0414080	Hinge screw B	
	15	M0414150	Washer for hinge screw	
	16	C0414080	Spacer for hinge screw	
	17	M0414162	Connecting plate	
	18	C0414070	Hinge screw	
	19	M0414142	Hinge screw A	
	20	SCAA03006	Hexagon socket head cap screw (M3x6)	
	21	M0414100	Actuating plate	
	22	SSAA03006	Hexagon socket set screw (M3x6)	
	23	NHCC04000	Hexagon nut (M4)	
	24	M0414111	Solenoid fixing plate	
	25	M0414121	Solenoid	
	26	WPAA04000	Plain washer (M4)	
	27	WSAA04000	Spring lock washer (M4)	
	28	SCAA04006	Hexagon socket head cap screw (M4x6)	

# THREAD CATCHER



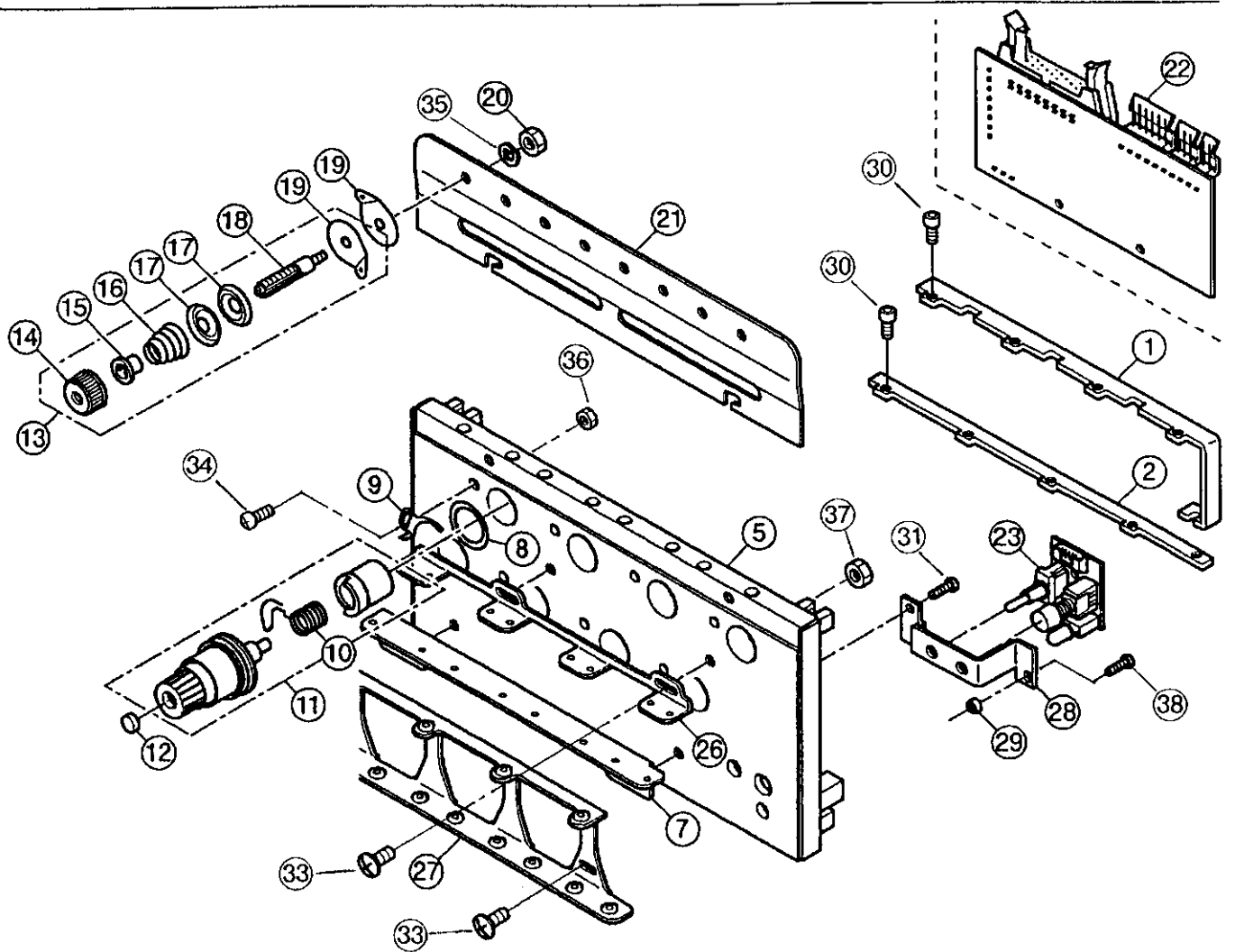
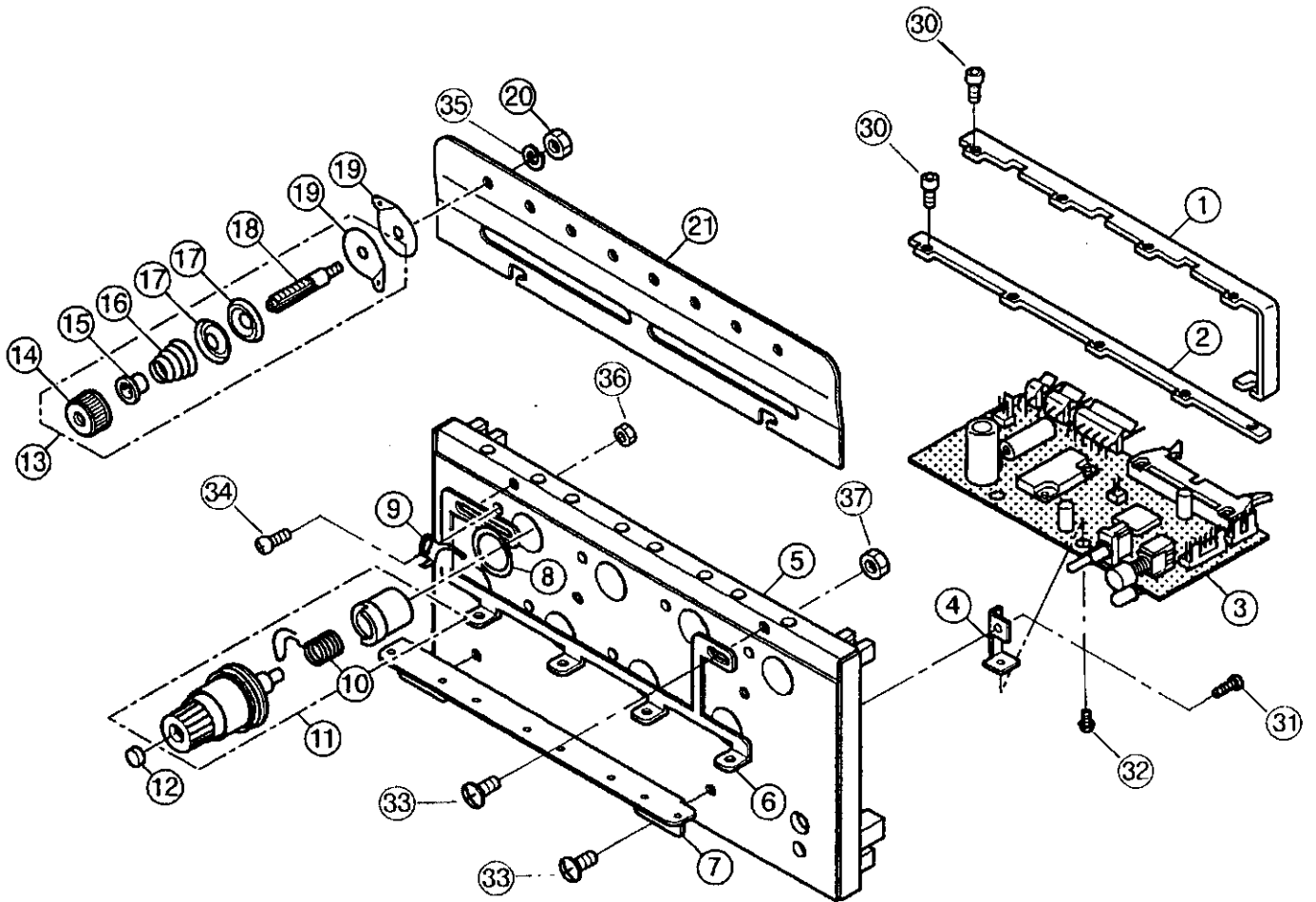
# THREAD CATCHER

# 16a-2

組 Ass'y	指図 El't	部品番号 PARTS No.	PARTS NAMES	CGB8601 NOTE / 備考
	29	HCM14110	Hook guard (for 7 needle)	
	29	HCM14120	Hook guard (for 8 needle)	
	29	HCG14040	Hook guard (for 10 needle)	
	29	HCG14100	Hook guard (for 12 needle)	
	30	SCBA03006	Hexagon socket head cap screw with flange (M3x6)	
	31	HCM14030	Holder guide	
	32	HMF14430	Magic tape (for 7 needle)	
	32	HMF14440	Magic tape (for 8 needle)	
	32	HCG14030	Magic tape (for 10 needle)	
	32	HCG14080	Magic tape (for 12 needle)	
	33	HMF14460	Adhesive tape (for 7 needle)	
	33	HMF14470	Adhesive tape (for 8 needle)	
	33	HCG14050	Adhesive tape (for 10 needle)	
	33	HCG14090	Adhesive tape (for 12 needle)	
	34	HCM14070	Holder (lower) (for 7 needle)	
	34	HCM14060	Holder (lower) (for 8 needle)	
	34	HCG14020	Holder (lower) (for 10 needle)	
	34	HCG14070	Holder (lower) (for 12 needle)	
	35	HCM14050	Holder (upper) (for 7 needle)	
	35	HCM14040	Holder (upper) (for 8 needle)	
	35	HCG14010	Holder (upper) (for 10 needle)	
	35	HCG14060	Holder (upper) (for 12 needle)	
	36	HCM914130	Thread holder ass'y (for 7 needle)	
	36	HCM914140	Thread holder ass'y (for 8 needle)	
	36	HCM914150	Thread holder ass'y (for 10 needle)	
	36	HCM914160	Thread holder ass'y (for 12 needle)	

# THREAD TENSION UNIT

MF9A30s 17a-1



# THREAD TENSION UNIT

17a-1

MF1131s

NOTE / 備考

組 Ass'y	指図 Elt	部品番号 PARTS No.	PARTS NAMES
	1	M0417440	Thread tension fixer A
	1	HMG17060	Thread tension fixer A (for 10 needle)
	1	HMG17180	Thread tension fixer A (for 12 needle)
	2	M0417460	Thread tension fixer C (for 7 needle)
	2	M0417450	Thread tension fixer B (for 8 needle)
	2	HMG17070	Thread tension fixer B (for 10 needle)
	2	HMG17190	Thread tension fixer B (for 12 needle)
	3	M0483228	Thread detecting board ass'y
	4	M0416031	Bracket for thread detecting board
	5	M0416131	Thread tension bracket (for 7 needle)
	5	M0416141	Thread tension bracket (for 8 needle)
	5	HMG17041	Thread tension bracket (for 10 needle)
	5	HMG17050	Thread tension bracket (for 12 needle)
	6	M0416261	Upper thread guide
	7	M0416220	Lower thread guide A (for 7 needle)
	7	M0416230	Lower thread guide A (for 8 needle)
	7	HMG17090	Lower thread guide (for 10 needle)
	8	HMF17820	Isolation plate
	9	HMF17870	Adjusting plate
11*	10	M0416186	Thread check spring
	11	HMF17840	Thread tension ass'y
	12	HMF17860	Thread tension lid
	13	M0416124	Thread guide unit
13*	14	MPZ00960	Tension nut
13*	15	MPZ00280	Spring guide
13*	16	M0416111	Spring
13*	17	MPZ00221	Disc
13*	18	M0418211	Tension shaft
13*	19	MPZ00200	Tension guide plate
	20	NHAA04000	Hexagon nut (M4)
	21	M0416086	Thread guide base (for 7 needle)
	21	M0416076	Thread guide base (for 8 needle)
	21	HMG17172	Thread guide base (for 10 needle)
	21	HMG17250	Thread guide base (for 12 needle)
	22	HMX83228	Thread detecting board ass'y
	23	HCM83001	Jump switch board ass'y
	26	HMG17080	Upper thread guide (for 10 needle)
	27	HMG17240	Thread guide ass'y (for 12 needle)
	28	HCM17700	Switch bracket
	29	MPA00040	Spacer (C-303) (for 12 needle)
	30	SCAD03008	Hexagon socket head cap screw (M3x8)
	31	SMAC03008	Pan head tapping screw (cross recessed head, 3x8)
	32	SPDD03006	Pan head screw (cross recessed, M3x6)
	33	SBAB04008	Binding head screw (M4x8)
	34	SPAC2E025	Pan head screw (cross recessed, M2.5x25)
	35	WSAA04000	Spring lock washer (M4)
	36	NHAD03000	Hexagon nut (M3)
	37	NHAD04000	Hexagon nut (M4)
	38	SMAC03012	Pan head tapping screw (cross recessed head, 3x12)

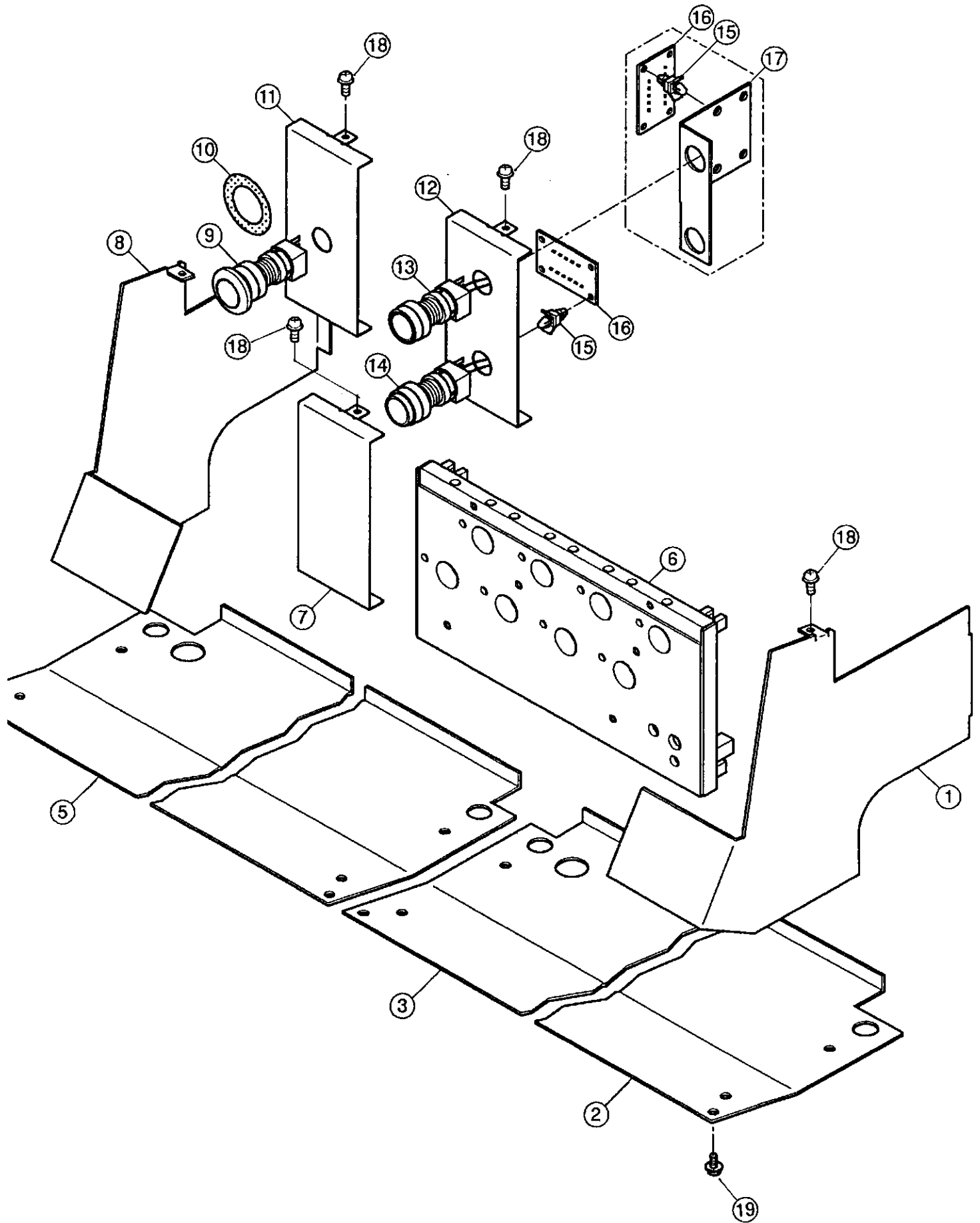




指図 / EIt UNIT NAMES		Thread tension cover	Thread stand base	Thread stand
機種 MODEL	1212X-48	C	E	B
	1012-48	C	C	B
	812-48	B	B	B
	806-48	A	A	A
	804-48	A	A	A
	720-30	A	A	A
	720N-30	A	A	A
	1212-30	D	D	A
	1212N-30	D	D	A
	1012-30	D	D	A
	1012N-30	D	D	A
	812-30	A	A	A
	812N-30	A	A	A
	1216-36	C	E	B
	1016-36	C	C	B
	816-36	C	C	B
	1212-36	D	D	A
	1012-36	D	D	A
	812-36	A	A	A
	1006-36	D	D	A
806-36	A	A	A	

# THREAD TENSION COVER A

CM9A30s 18b-1



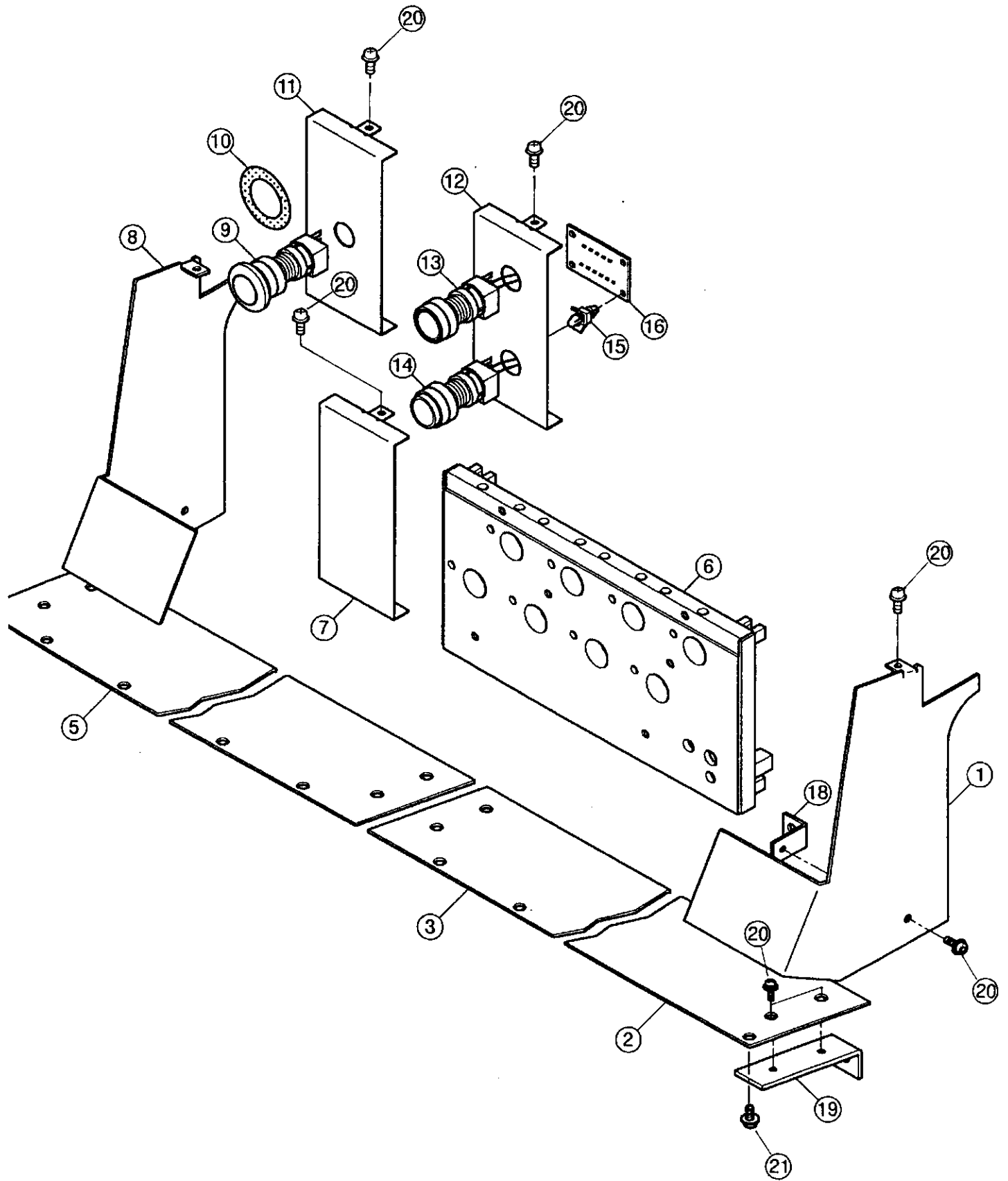
# THREAD TENSION COVER A

# 18b-1

組	指図	部品番号		CM9A30s
Ass'y	El't	PARTS No.	PARTS NAMES	NOTE / 備考
	1	HMF20633	Thread tension side cover, right	
	2	→19a	Fixing plate B, right (by model)	
	3	→19a	Fixing plate B, center (by model)	
	5	→19a	Fixing plate B, left (by model)	
	6	→17a	Thread tension bracket	
	7	→19a	Thread tension cover C (by model)	
	8	HMF20643	Thread tension side cover, left	
	9	EPS00840	Emergency stop switch	
	10	HMF51080	Emergency stop sticker	
	11	→19a	Thread tension cover B (by model)	
	12	→19a	Thread tension cover A (by model)	
	13	C0484011	Start switch ass'y (white)	
	13	C0484010	Start switch ass'y (green)	
	14	C0484021	Stop switch ass'y	
	15	EPN00290	Locking card spacer	
	16	C0416120	Start switch board ass'y	
	17	HCM18120	Board bracket (for 720-30, 720N-30 type)	
	18	SPDB04008	Pan head screw (cross recessed, M4x8)	
	19	SPDB04010	Pan head screw (cross recessed, M4x10)	

# THREAD TENSION COVER B

CM9A30s 18c-1



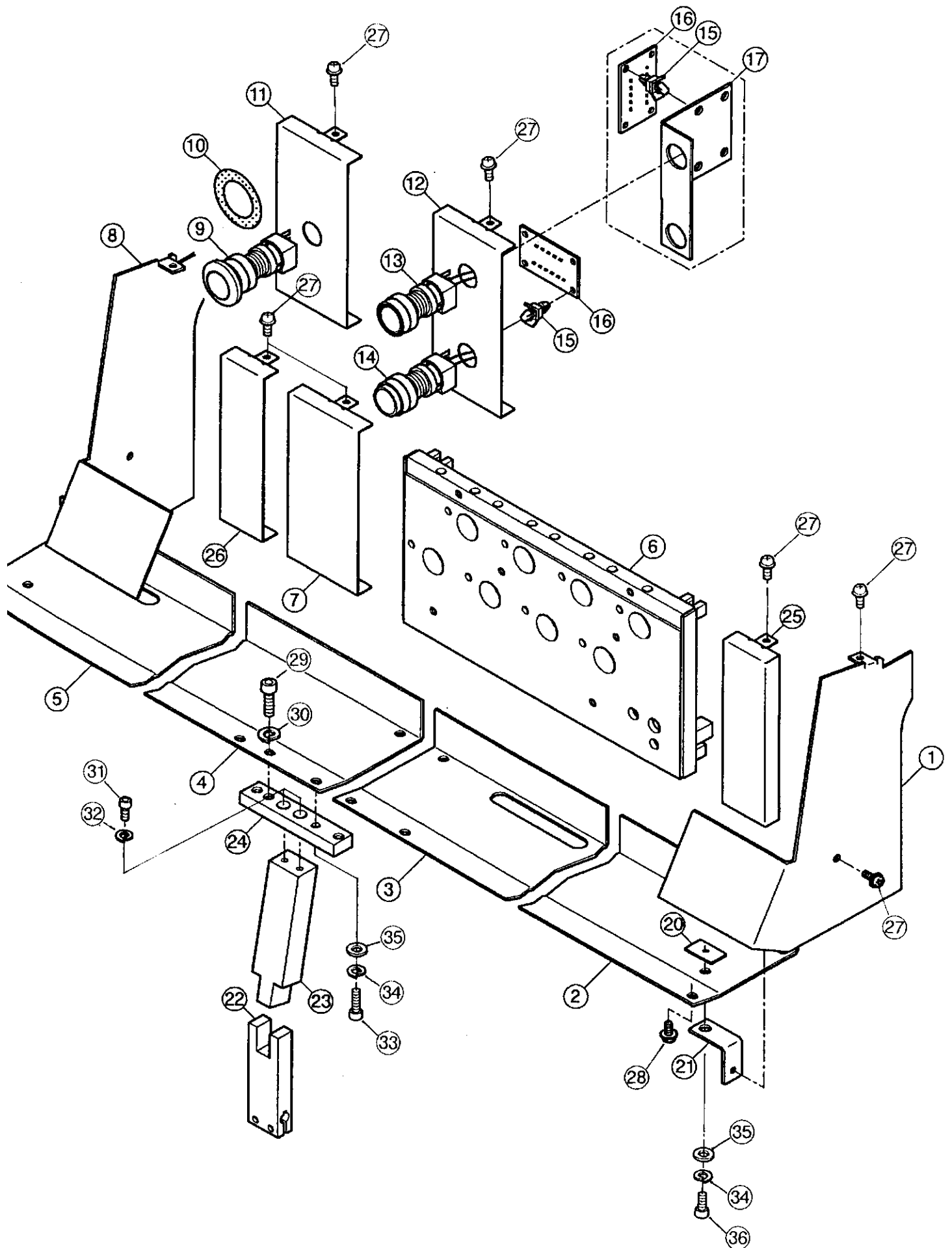
# THREAD TENSION COVER B

18c-1

組 Ass'y	指図 El't	部品番号 PARTS No.	PARTS NAMES	CM9A30s NOTE / 備考
	1	HCM16260	Thread tension side cover, right	
	2	→19a	Fixing plate B, right (by model)	
	3	→19a	Fixing plate B, center (by model)	
	5	→19a	Fixing plate B, left (by model)	
	6	→17a	Thread tension bracket	
	7	→19a	Thread tension cover C (by model)	
	8	HCM16270	Thread tension side cover, left	
	9	EPS00840	Emergency stop switch	
	10	HMF51080	Emergency stop sticker	
	11	→19a	Thread tension cover B (by model)	
	12	→19a	Thread tension cover A (by model)	
	13	C0484011	Start switch ass'y (white)	
	13	C0484010	Start switch ass'y (green)	
	14	C0484021	Stop switch ass'y	
	15	EPN00290	Locking card spacer	
	16	C0416120	Start switch board ass'y	
	18	HMF10281	Cover bracket B	
	19	HCM16220	Fixing plate bracket	
	20	SPDB04008	Pan head screw (cross recessed, M4x8)	
	21	SPDB04010	Pan head screw (cross recessed, M4x10)	

# THREAD TENSION COVER C

CM9A30s 18d-1



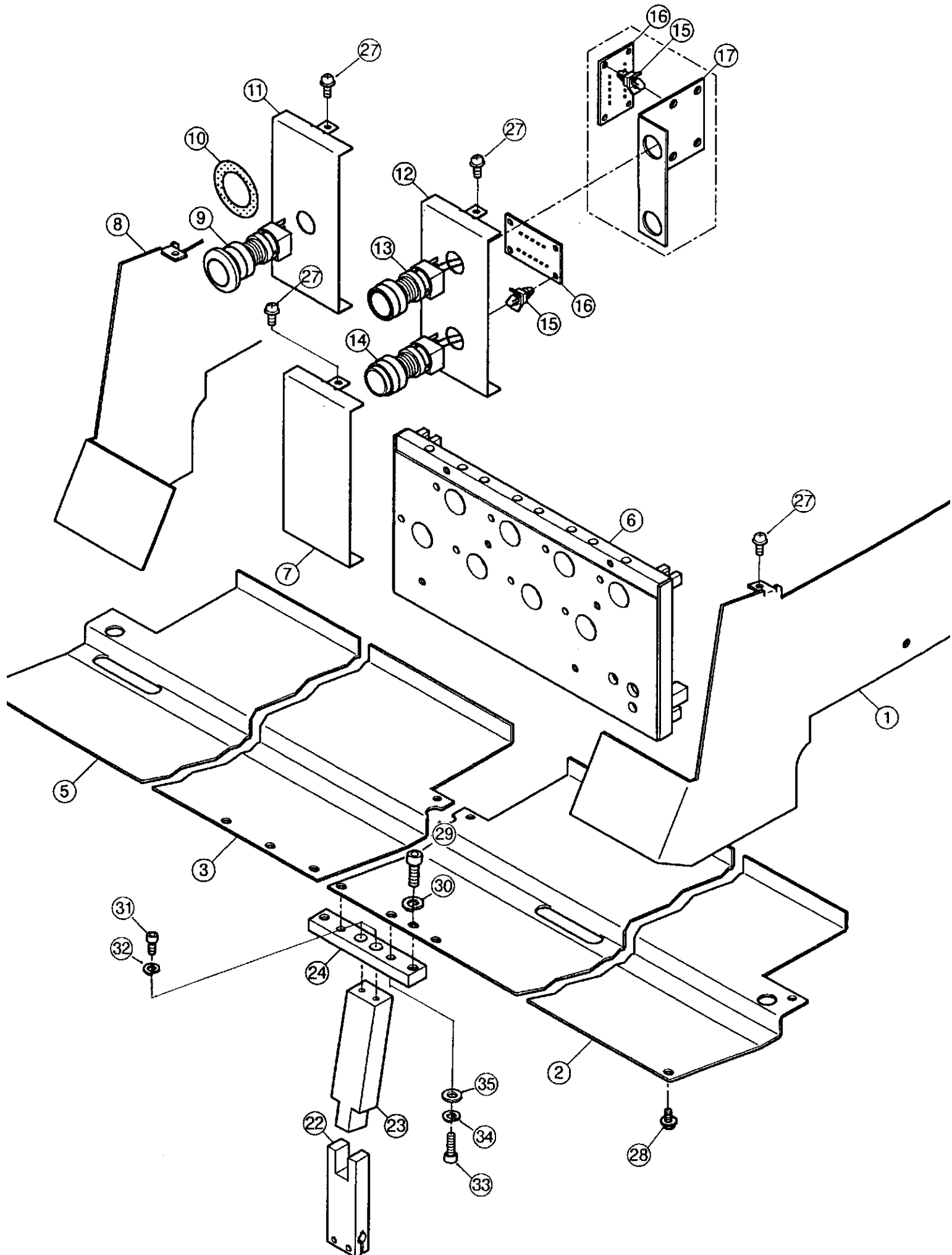
# THREAD TENSION COVER C

18d-1

組 Ass'y	指図 Elt	部品番号 PARTS No.	PARTS NAMES	CM9A30s NOTE / 備考
	1	HCM17041	Thread tension side cover, right	
	1	HCM16862	Thread tension side cover, right (for 816-36 type)	
	2	→19a	Fixing plate B, right (by model)	
	3	→19a	Fixing plate B, center-1 (by model)	
	4	→19a	Fixing plate B, center-2 (by model)	
	5	→19a	Fixing plate B, left (by model)	
	6	→17a	Thread tension bracket	
	7	→19a	Thread tension cover C (by model)	
	8	HCM16873	Thread tension side cover, left	
	8	HMF18360	Thread tension side cover, left (for 1212X-48, 1216-36 type)	
	9	EPS00840	Emergency stop switch	
	10	HMF51080	Emergency stop sticker	
	11	→19a	Thread tension cover B (by model)	
	12	→19a	Thread tension cover A (by model)	
	13	C0484011	Start switch ass'y (white)	
	13	C0484010	Start switch ass'y (green)	
	14	C0484021	Stop switch ass'y	
	15	EPN00290	Locking card spacer	
	16	C0416120	Start switch board ass'y	
	17	HCM18120	Board bracket (for 1216-36, 1016-36 type)	
	20	M0420901	Plate nut	
	21	HMF10270	Cover bracket A	
	22	HCG10130	Joint	
	23	HCM10170	Joint E	
	24	HCM10210	Joint D (for 1212X-48 type)	
	24	HCM10162	Joint D (for 1012-48, 816-36 type)	
	24	HCM10240	Joint I (for 1216-36 type)	
	24	HCM10202	Joint G (for 1016-36 type)	
	25	HCM18160	Thread tension cover, right (for 1212X-48, 1216-36 type)	
	26	HMF18350	Thread tension cover, left (for 1212X-48, 1216-36 type)	
	27	SPDB04008	Pan head screw (cross recessed, M4x8)	
	28	SPDB04010	Pan head screw (cross recessed, M4x10)	
	29	SCAA06012	Hexagon socket head cap screw (M6x12)	
	30	WPAA06000	Plain washer (M6)	
	31	SCAA04015	Hexagon socket head cap screw (M4x15)	
	32	WSAA04000	Spring lock washer (M4)	
	33	SPAD04020	Pan head screw (cross recessed, M4x20)	
	34	WSAD04000	Spring lock washer (M4)	
	35	WPAD04000	Plain washer (M4)	
	36	SCAD04010	Hexagon socket head cap screw (M4x10)	

# THREAD TENSION COVER D

CM9A30s 18e-1





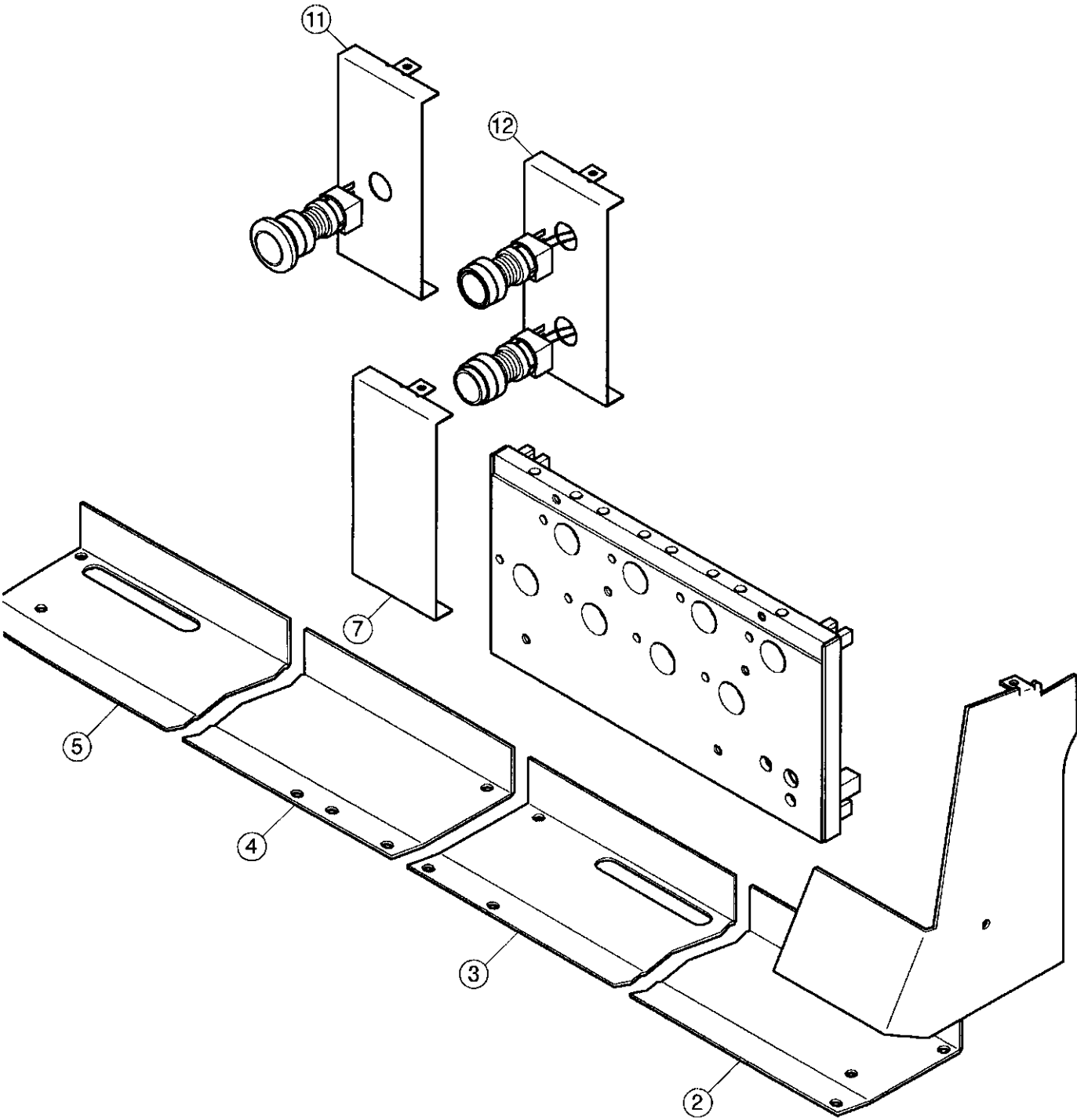
# THREAD TENSION COVER D

18e-1

組 Ass'y	指図 Elt	部品番号 PARTS No.	PARTS NAMES	CM9A30s NOTE / 備考
	1	HCM17301	Thread tension side cover, right	
	1	HCM17530	Thread tension side cover, right (for 1212-30,-36, 1212N-30 type)	
	2	→19a	Fixing plate B, right (by model)	
	3	→19a	Fixing plate B, center (by model)	
	5	→19a	Fixing plate B, left (by model)	
	6	→17a	Thread tension bracket	
	7	→19a	Thread tension cover C (by model)	
	8	HCM17311	Thread tension side cover, left	
	8	HCM17540	Thread tension side cover, left (for 1212-30,-36, 1212N-30 type)	
	9	EPS00840	Emergency stop switch	
	10	HMF51080	Emergency stop sticker	
	11	→19a	Thread tension cover B (by model)	
	12	→19a	Thread tension cover A (by model)	
	13	C0484011	Start switch ass'y (white)	
	13	C0484010	Start switch ass'y (green)	
	14	C0484021	Stop switch ass'y	
	15	EPN00290	Locking card spacer	
	16	C0416120	Start switch board ass'y	
	17	HCM18120	Board bracket (for 1212-30,-36, 1212N-30, 1012-30,-36, 1012N-30 type)	
	22	HCG10130	Joint	
	23	HCM10170	Joint E	
	24	HCM10190	Joint F	
	24	HCM10240	Joint I (for 1212-30,-36, 1212N-30 type)	
	25	HCM18160	Thread tension cover, right (for 1212-30,-36, 1212N-30 type)	
	26	HMF18350	Thread tension cover, left (for 1212-30,-36, 1212N-30 type)	
	27	SPDB04008	Pan head screw (cross recessed, M4x8)	
	28	SPDB04010	Pan head screw (cross recessed, M4x10)	
	29	SCAA06012	Hexagon socket head cap screw (M6x12)	
	30	WPAA06000	Plain washer (M6)	
	31	SCAA04015	Hexagon socket head cap screw (M4x15)	
	32	WSAA04000	Spring lock washer (M4)	
	33	SPAD04020	Pan head screw (cross recessed, M4x20)	
	34	WSAD04000	Spring lock washer (M4)	
	35	WPAD04000	Plain washer (M4)	

# THREAD TENSION COVER

CM8831 19a-1



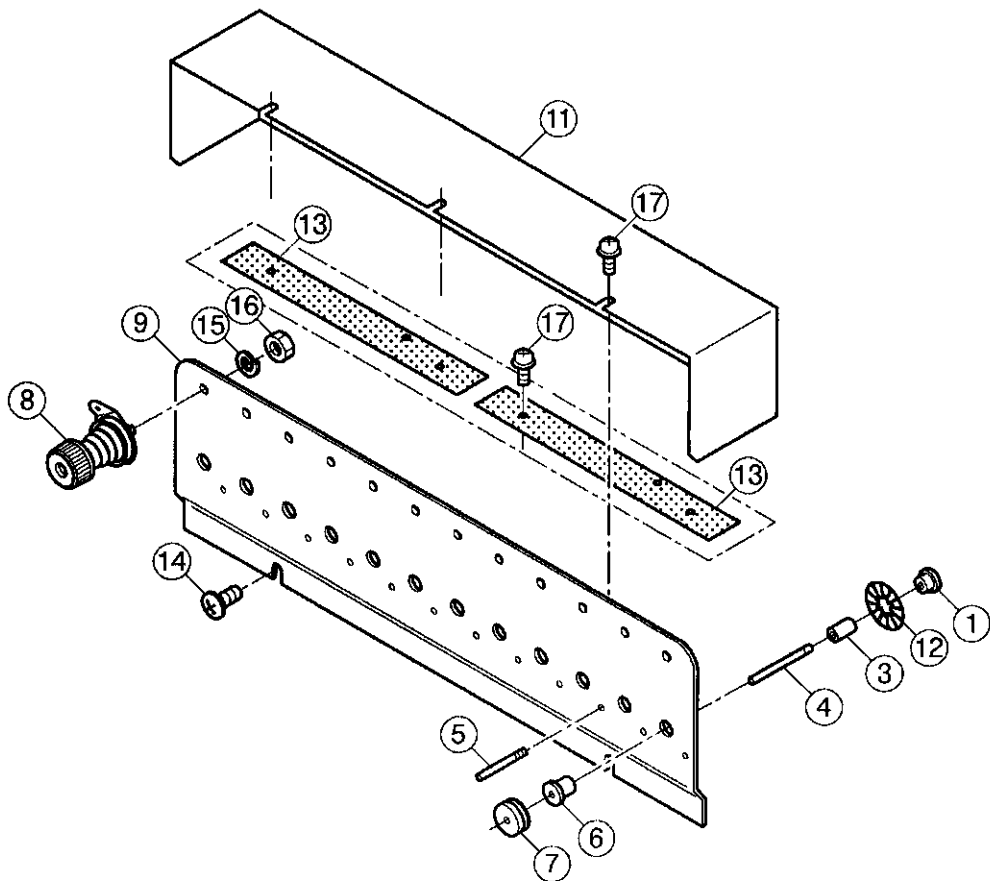
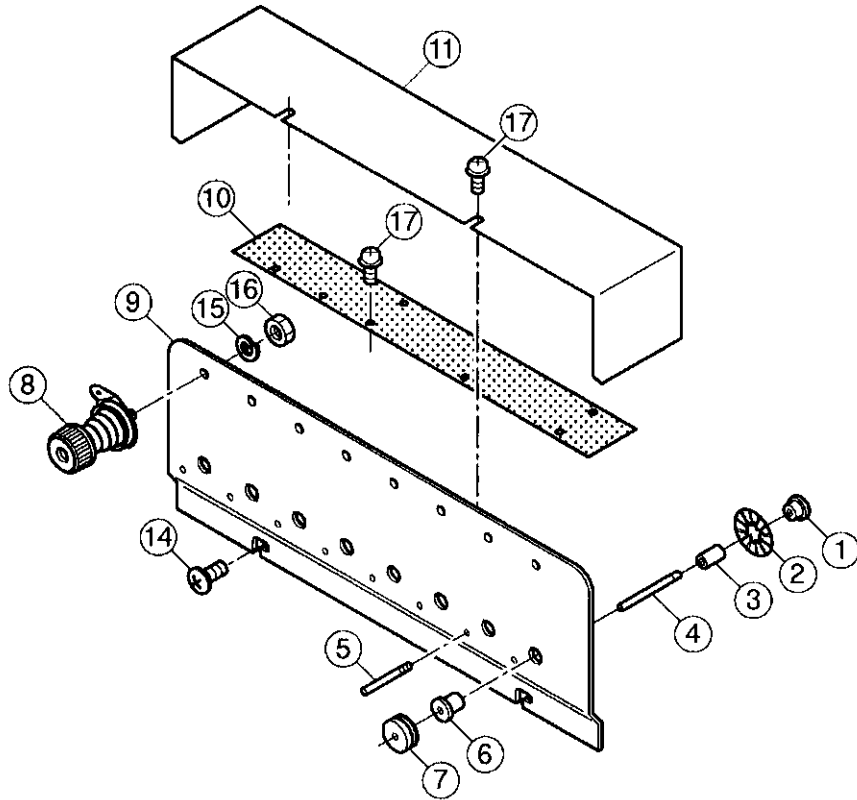
# THREAD TENSION COVER

19a-1

CM9720

指図 / EIt PARTS NAMES		2 Fixing plate B right	3 Fixing plate B center - 1	4 Fixing plate B center - 2	5 Fixing plate B left
機種 MODEL	1 2 1 2 X - 4 8	HCM17740	HCM17750	HCM17750	HCM17760
	1 0 1 2 - 4 8	HCM16931	HCM16941	-	HCM16951
	8 1 2 - 4 8	HCM16191	HCM16200	-	HCM16211
	8 0 6 - 4 8	HCM16050	-	-	HCM16060
	8 0 4 - 4 8	HCM16020	-	-	-
	7 2 0 - 3 0	HCM16420	HCM16430	-	HCM16440
	7 2 0 N - 3 0	HCM16420	HCM16430	-	HCM16440
	1 2 1 2 - 3 0	HCM17470	HCM17480	HCM17490	HCM17500
	1 2 1 2 N - 3 0	HCM17470	HCM17480	HCM17490	HCM17500
	1 0 1 2 - 3 0	HCM17370	HCM17380	-	HCM17390
	1 0 1 2 N - 3 0	HCM17370	HCM17380	-	HCM17390
	8 1 2 - 3 0	HCM16130	HCM16140	-	HCM16150
	8 1 2 N - 3 0	HCM16130	HCM16140	-	HCM16150
	1 2 1 6 - 3 6	HCM17600	HCM17611	HCM17611	HCM17620
	1 0 1 6 - 3 6	HCM17092	HCM17102	HCM17112	HCM17122
	8 1 6 - 3 6	HCM16823	HCM16833	HCM16844	HCM16853
	1 2 1 2 - 3 6	HCM17470	HCM17480	HCM17490	HCM17500
	1 0 1 2 - 3 6	HCM17370	HCM17380	-	HCM17390
	8 1 2 - 3 6	HCM16130	HCM16140	-	HCM16150
	1 0 0 6 - 3 6	HCM17231	HCM17240	-	HCM17250
8 0 6 - 3 6	HCM16500	-	-	HCM16510	

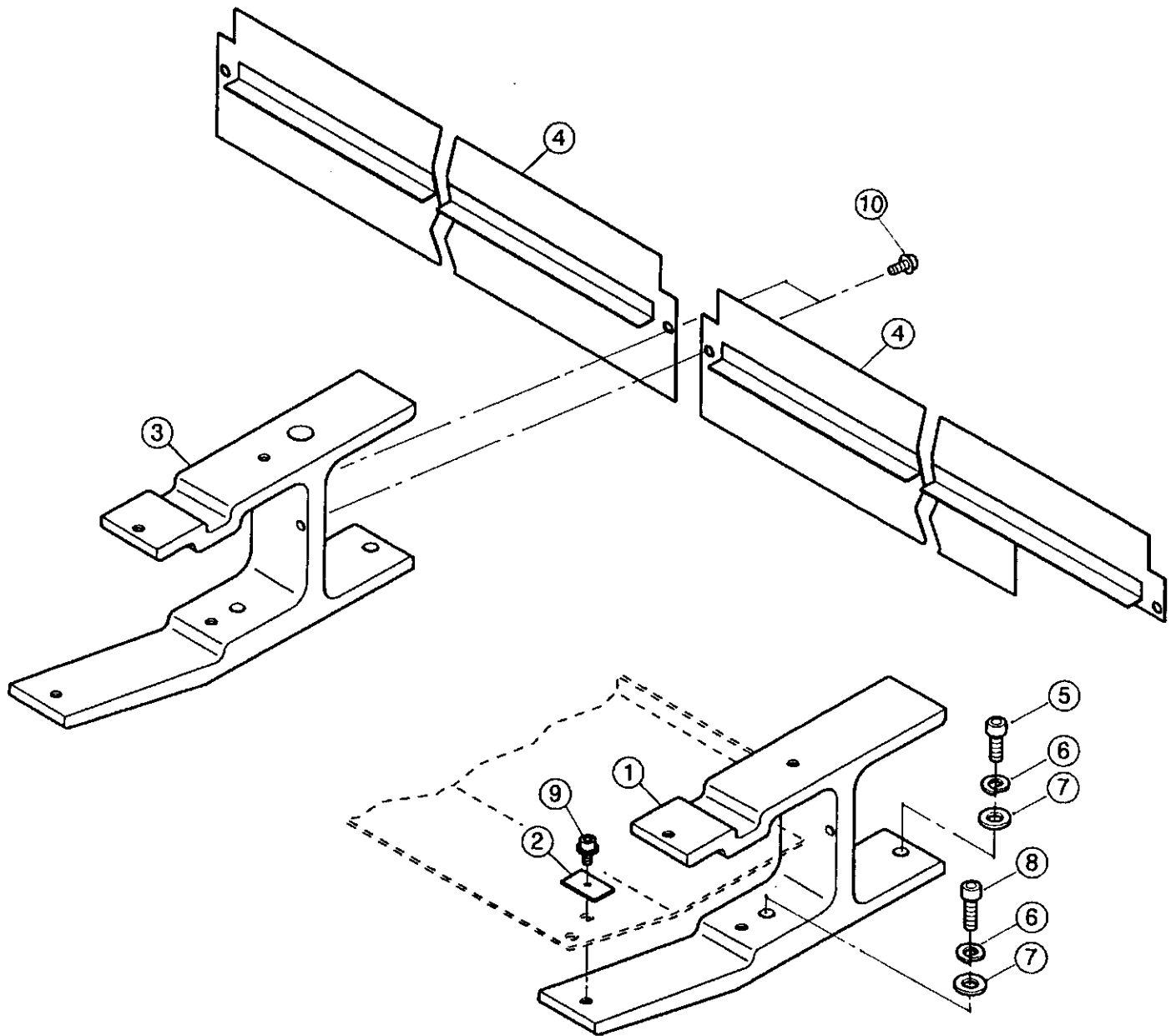
指図 / EIt PARTS NAMES		7 Cover C	11 Cover B	12 Cover A	
機種 MODEL	1 2 1 2 X - 4 8	HCM18190	HCM18180	HCM18170	
	1 0 1 2 - 4 8	M0417413	HMF17220	HCM18130	
	8 1 2 - 4 8	HCM18080	HCM18070	HCM18060	
	8 0 6 - 4 8	-	HCM18022	HCM18011	
	8 0 4 - 4 8	-	HCM18022	HCM18011	
	7 2 0 - 3 0	HCM18110	HCM18100	HCM18090	
	7 2 0 N - 3 0	HCM18110	HCM18100	HCM18090	
	1 2 1 2 - 3 0	HCG17240	HCG17250	HCM18150	
	1 2 1 2 N - 3 0	HCG17240	HCG17250	HCM18150	
	1 0 1 2 - 3 0	M0417353	HMF17200	HCM18140	
	1 0 1 2 N - 3 0	M0417353	HMF17200	HCM18140	
	8 1 2 - 3 0	HCM18050	HCM18040	HCM18030	
	8 1 2 N - 3 0	HCM18050	HCM18040	HCM18030	
	1 2 1 6 - 3 6	HCG17240	HCG17250	HCM18150	
	1 0 1 6 - 3 6	M0417353	HMF17200	HCM18140	
	8 1 6 - 3 6	HCM18050	HCM18040	HCM18030	
	1 2 1 2 - 3 6	HCG17240	HCG17250	HCM18150	
	1 0 1 2 - 3 6	M0417353	HMF17200	HCM18140	
	8 1 2 - 3 6	HCM18050	HCM18040	HCM18030	
	1 0 0 6 - 3 6	-	HMF17220	HCM18130	
8 0 6 - 3 6	-	HCM18070	HCM18060		



組 Ass'y	指図 E/t	部品番号 PARTS No.	PARTS NAMES	CGB1828 NOTE / 備考
	1	MPZ00350	Eyelet	
	2	M0445061	Slit disc	
	3	MPZ00360	Spacer	
	4	M0445070	Roller shaft	
	5	M0445103	Thread guide bar	
	6	M0445080	Roller shaft support	
	7	M0445092	Detecting roller	
	8	M0416124	Thread guide unit	
	9	M0445054	Fixing plate (for 7 needle)	
	9	M0445044	Fixing plate (for 8 needle)	
	9	HMG17162	Fixing plate (for 10 needle)	
	9	HMG17221	Fixing plate (for 12 needle)	
	10	M0445020	Detecting board ass'y (for 7 needle)	
	10	M0445030	Detecting board ass'y (for 8 needle)	
	10	HMF83120	Detecting board ass'y (for 10 needle)	
	11	M0445013	Cover for fixing plate (for 7 needle)	
	11	M0445003	Cover for fixing plate (for 8 needle)	
	11	HMG17150	Cover for fixing plate (for 10 needle)	
	11	HMG17230	Cover for fixing plate (for 12 needle)	
	12	HMG17212	Slit disc 2	
	13	HCG83120	Detecting board ass'y (for 12 needle)	
	14	SBAB04014	Binding head screw (M4x14)	
	15	WSAA04000	Spring lock washer (M4)	
	16	NHAA04000	Hexagon nut (M4)	
	17	SPDD03006	Pan head screw (cross recessed, M3x6)	

# THREAD STAND BASE A

MF9A30s 21a-1



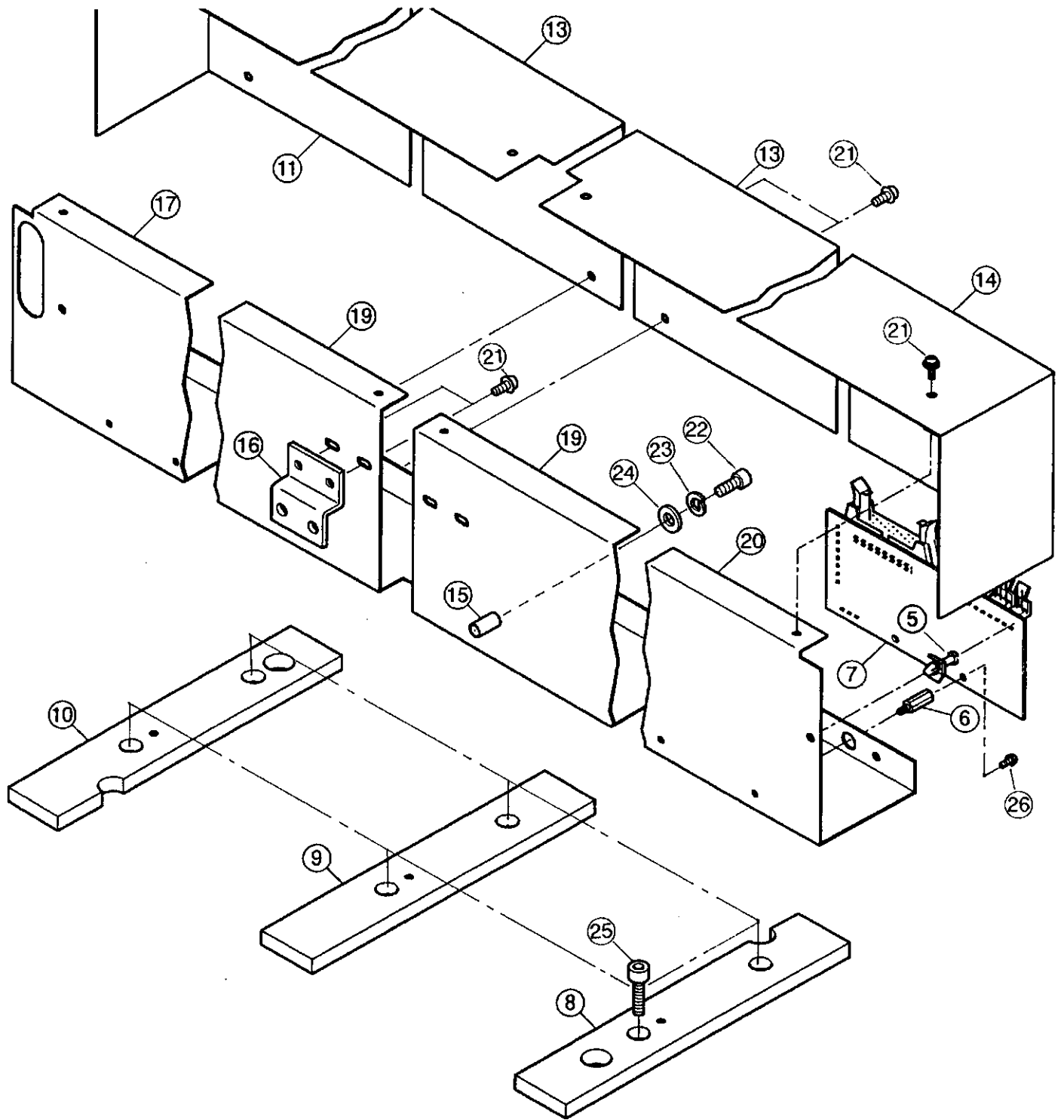
# THREAD STAND BASE A

# 21a-1

組 Ass'y	指図 Elt	部品番号 PARTS No.	PARTS NAMES	MF9A30s NOTE / 備考
	1	HMF20590	Base for thread stand	
	2	HMF20651	Washer	
	3	HMF21260	Base B for thread stand (for HMF-L820type)	
	4	→22a	Rear cover (by model)	
	5	SCAA06020	Hexagon socket head cap screw (M6x20)	
	6	WSAA06000	Spring lock washer (M6)	
	7	WPAA06000	Plain washer (M6)	
	8	SCAA06030	Hexagon socket head cap screw (M6x30)	
	9	SCBA04008	Hexagon socket head cap screw with flange (M4x8)	
	10	SPBB04008	Pan head screw (cross recessed, M4x8)	

# THREAD STAND BASE B

CM9A30s 21b-1





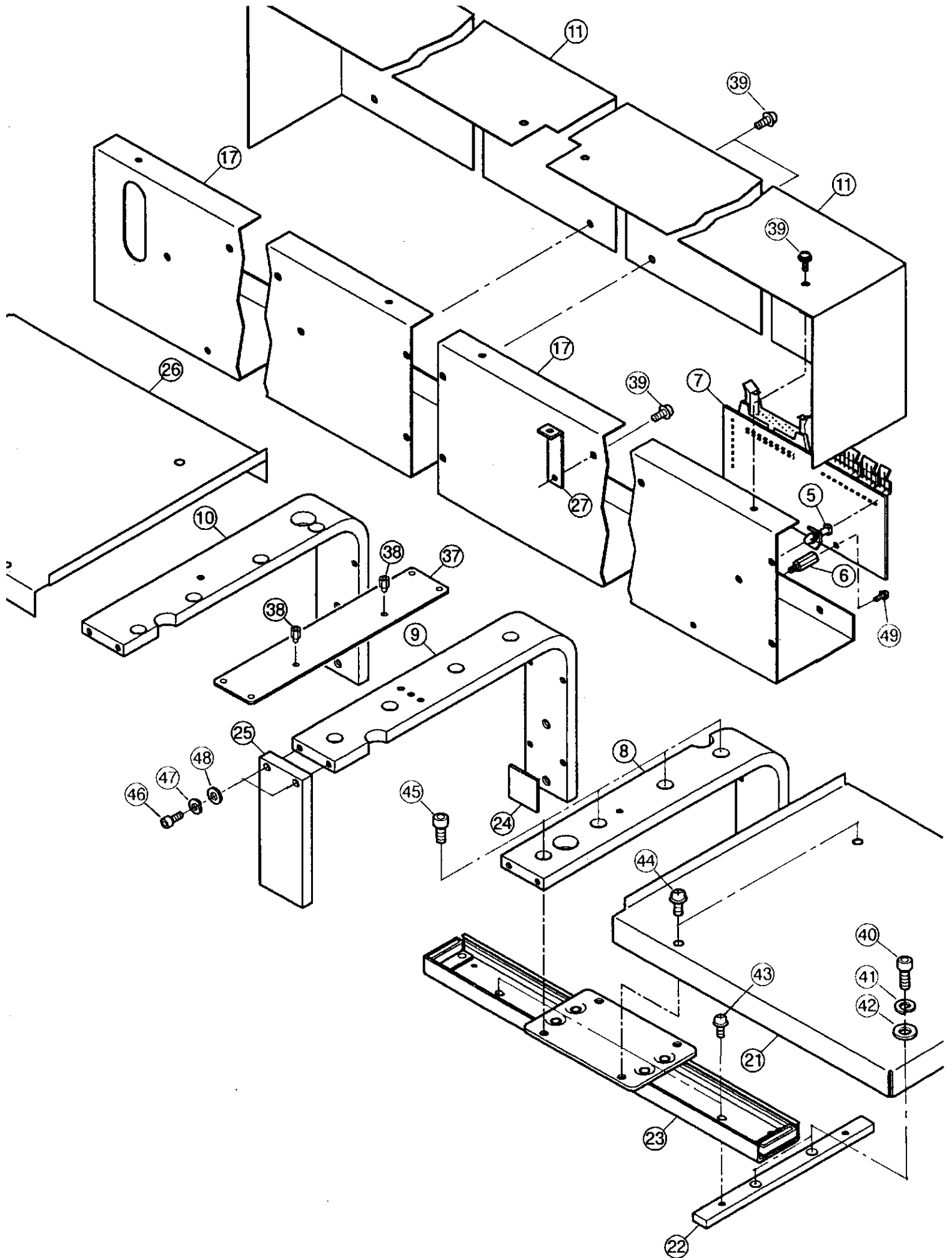
# THREAD STAND BASE B

21b-1

組 Ass'y	指図 Elt	部品番号 PARTS No.	PARTS NAMES	CM9A30s NOTE / 備考
	5	EPN00340	Card spacer	
	6	MPZ01430	Spacer (BSB315)	
	7	→17a	Thread detecting board ass'y	
	8	HCM16230	Base (right) for thread stand	
	9	HCM16240	Base (center) for thread stand	
	10	HCM16250	Base (left) for thread stand	
	11	HCM16330	Duct cover, right (for 812-48 type)	
	13	HCM16321	Duct cover, center (for 812-48 type)	
	14	HCM16310	Duct cover, left (for 812-48 type)	
	16	HCM16340	Duct bracket	
	17	HCM16300	Duct, right (for 812-48 type)	
	19	HCM16290	Duct, center (for 812-48 type)	
	20	HCM16280	Duct, left (for 812-48 type)	
	21	SPDB04008	Pan head screw (cross recessed, M4x8)	
	22	SCAA06025	Hexagon socket head cap screw (M6x25)	
	23	WSAA06000	Spring lock washer (M6)	
	24	WPAA06000	Plain washer (M6)	
	25	SCAA06020	Hexagon socket head cap screw (M6x20)	
	26	SPDD03008	Pan head screw (cross recessed, M3x8)	

# THREAD STAND BASE C

MF9A30s 21c-1



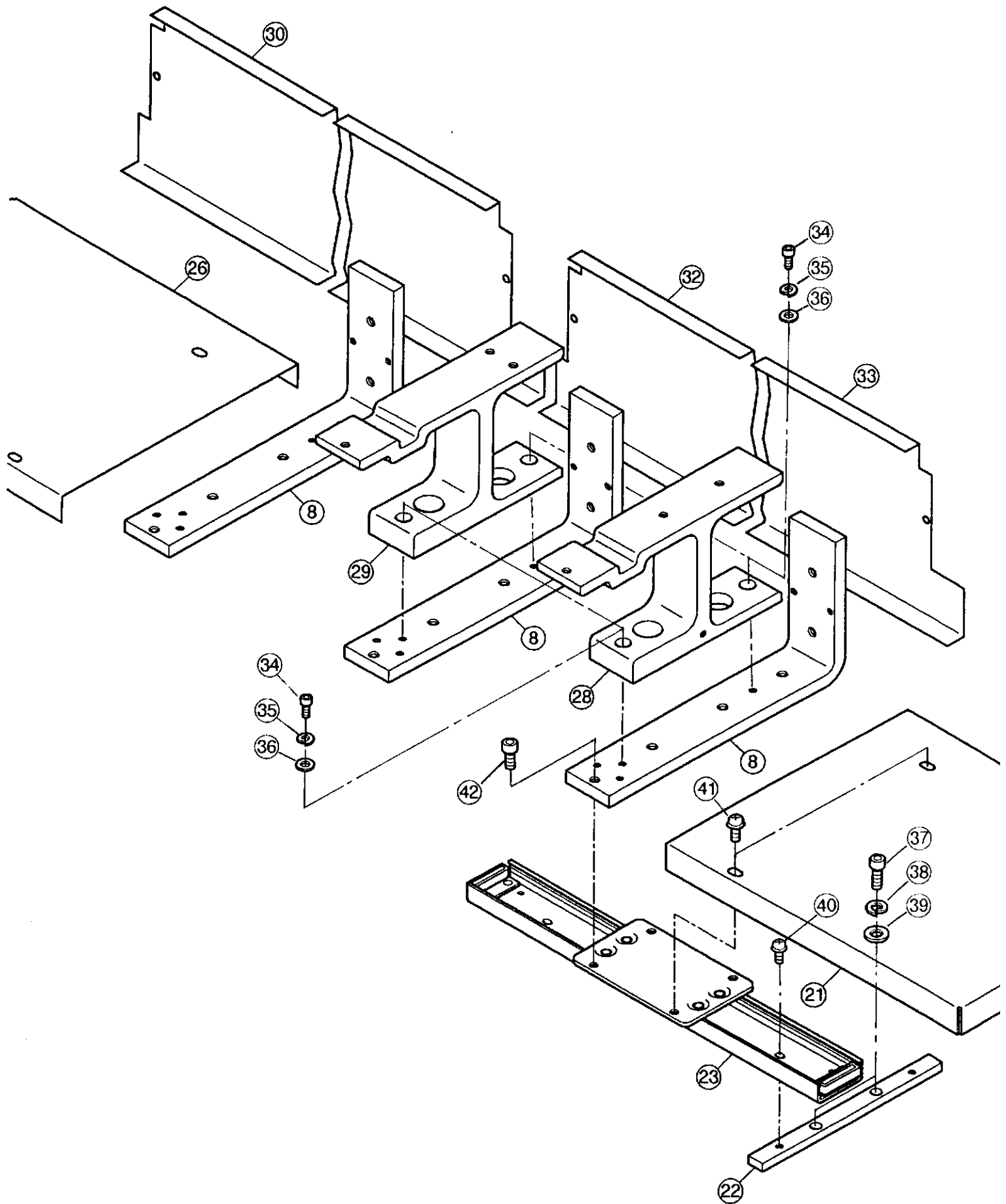
# THREAD STAND BASE C

21c-1

組 Ass'y	指図 Elt	部品番号 PARTS No.	PARTS NAMES	MF9A30s NOTE / 備考
	5	EPN00340	Card spacer	
	6	MPZ01430	Spacer (BSB315)	
	7	→17a	Thread detecting board ass'y	
	8	HCM20380	Base (right) for thread stand	
	9	HCM20392	Base (center) for thread stand	
	10	HCM20400	Base (left) for thread stand	
	10	HCM20780	Base (left) for thread stand (for HMF-W1015 type)	
	11	→22c	Duct cover (by model)	
	17	→22c	Duct (by model)	
	21	HCM17020	Cover (right) for thread stand	
	21	HCM16880	Cover (right) for thread stand (for HCM-816-36 type)	
	22	HCM20411	Rail plate	
	23	MPZ01890	Slide pack	
	24	M0437630	Felt D	
	25	HCM20420	Base (front) for thread stand	
	26	HCM17030	Cover (left) for thread stand	
	26	HCM17430	Cover (left) for thread stand (for HMF-W1015 type)	
	26	HCM16890	Cover (left) for thread stand (for HCM-816-36 type)	
	27	HCM20440	Reinforcement plate	
	37	HMF18810	Cord holder	
	38	MPA00060	Spacer (MSB-308-04)	
	39	SPDB04008	Pan head screw (cross recessed, M4x8)	
	40	SCAA06020	Hexagon socket head cap screw (M6x20)	
	41	WSAA06000	Spring lock washer (M6)	
	42	WPAA06000	Plain washer (M6)	
	43	SPCC04008	Pan head screw (cross recessed, M4x8)	
	44	SPDB05008	Pan head screw (cross recessed, M5x8)	
	45	SCAA05012	Hexagon socket head cap screw (M5x12)	
	46	SCAA04018	Hexagon socket head cap screw (M4x18)	
	47	WSAA04000	Spring lock washer (M4)	
	48	WPAA04000	Plain washer (M4)	
	49	SPDD03008	Pan head screw (cross recessed, M3x8)	

# THREAD STAND BASE D

MF9A30s 21d-1



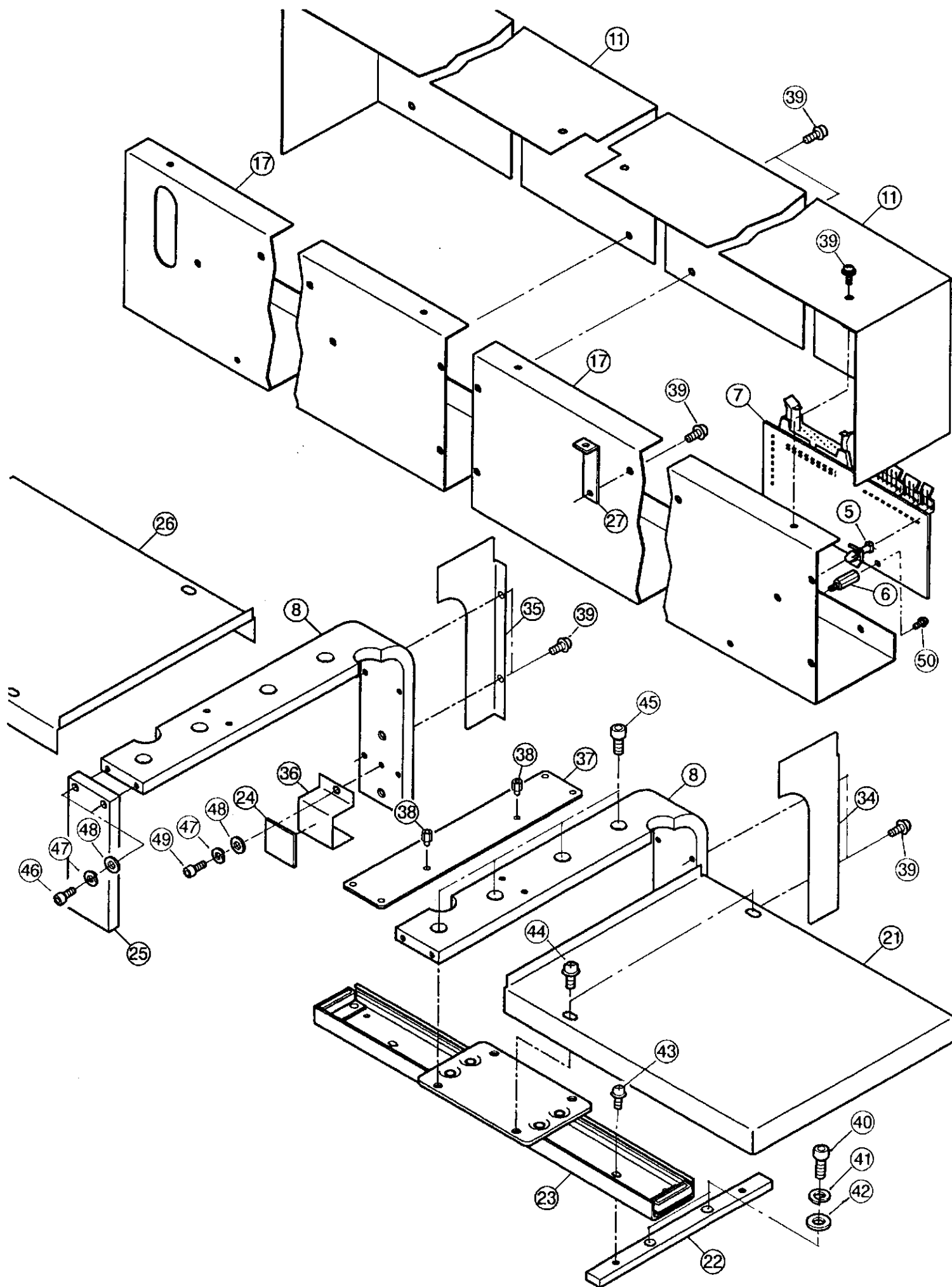
# THREAD STAND BASE D

21d-1

組 Ass'y	指図 Elt	部品番号 PARTS No.	PARTS NAMES	CM9A30s NOTE / 備考
	8	HCM20612	Base A for thread stand	
	21	HCM17321	Cover (right) for thread stand	
	21	HCM17550	Cover (right) for thread stand (for 1212-30,-36, 1212N-30 type)	
	22	HCM20411	Rail plate	
	23	MPZ01890	Slide pack	
	26	HCM17331	Cover (left) for thread stand	
	26	HCM17560	Cover (left) for thread stand (for 1212-30,-36, 1212N-30 type)	
	28	HCM20622	Base B for thread stand	
	29	HCM20751	Base C for thread stand	
	30	→22d	Rear cover, left (by model)	
	32	→22d	Rear cover, center (by model)	
	33	→22d	Rear cover, right (by model)	
	34	SCAA04018	Hexagon socket head cap screw (M4x18)	
	35	WSAA04000	Spring lock washer (M4)	
	36	WPAA04000	Plain washer (M4)	
	37	SCAA06020	Hexagon socket head cap screw (M6x20)	
	38	WSAA06000	Spring lock washer (M6)	
	39	WPAA06000	Plain washer (M6)	
	40	SPCC04008	Pan head screw (cross recessed, M4x8)	
	41	SPDB05008	Pan head screw (cross recessed, M5x8)	
	42	SCAA05012	Hexagon socket head cap screw (M5x12)	

# THREAD STAND BASE E

MF9A30s 21e-1

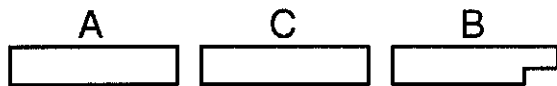


# THREAD STAND BASE E

21e-1

組 Ass'y	指図 Elt	部品番号 PARTS No.	PARTS NAMES	MF9A30s NOTE / 備考
	5	EPN00340	Card spacer	
	6	MPZ01430	Spacer (BSB315)	
	7	→17a	Thread detecting board ass'y	
	8	HCM20950	Base for thread stand	
	11	→22e	Duct cover (by model)	
	17	→22e	Duct (by model)	
	21	HCM17690	Cover for thread stand	
	22	HCM20411	Rail plate	
	23	MPZ01890	Slide pack	
	24	M0437630	Felt D	
	25	HCM20420	Base (front) for thread stand	
	26	HCM17690	Cover for thread stand	
	27	HCM20440	Reinforcement plate	
	34	HCM20970	Base cover (right)	
	35	HCM20980	Base cover (left)	
	36	HCM20960	Stopper	
	37	HMF18810	Cord holder	
	38	MPA00060	Spacer (MSB-308-04)	
	39	SPDB04008	Pan head screw (cross recessed, M4x8)	
	40	SCAA06020	Hexagon socket head cap screw (M6x20)	
	41	WSAA06000	Spring lock washer (M6)	
	42	WPAA06000	Plain washer (M6)	
	43	SPCC04008	Pan head screw (cross recessed, M4x8)	
	44	SPDB05008	Pan head screw (cross recessed, M5x8)	
	45	SCAA05012	Hexagon socket head cap screw (M5x12)	
	46	SCAA04018	Hexagon socket head cap screw (M4x18)	
	47	WSAA04000	Spring lock washer (M4)	
	48	WPAA04000	Plain washer (M4)	
	49	SCAA04008	Hexagon socket head cap screw (M4x8)	
	50	SPDD03008	Pan head screw (cross recessed, M3x8)	

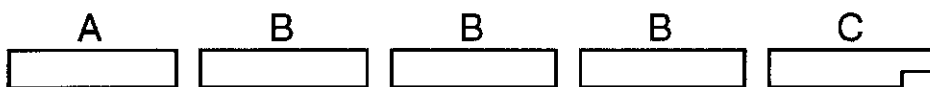
806-48



804-48



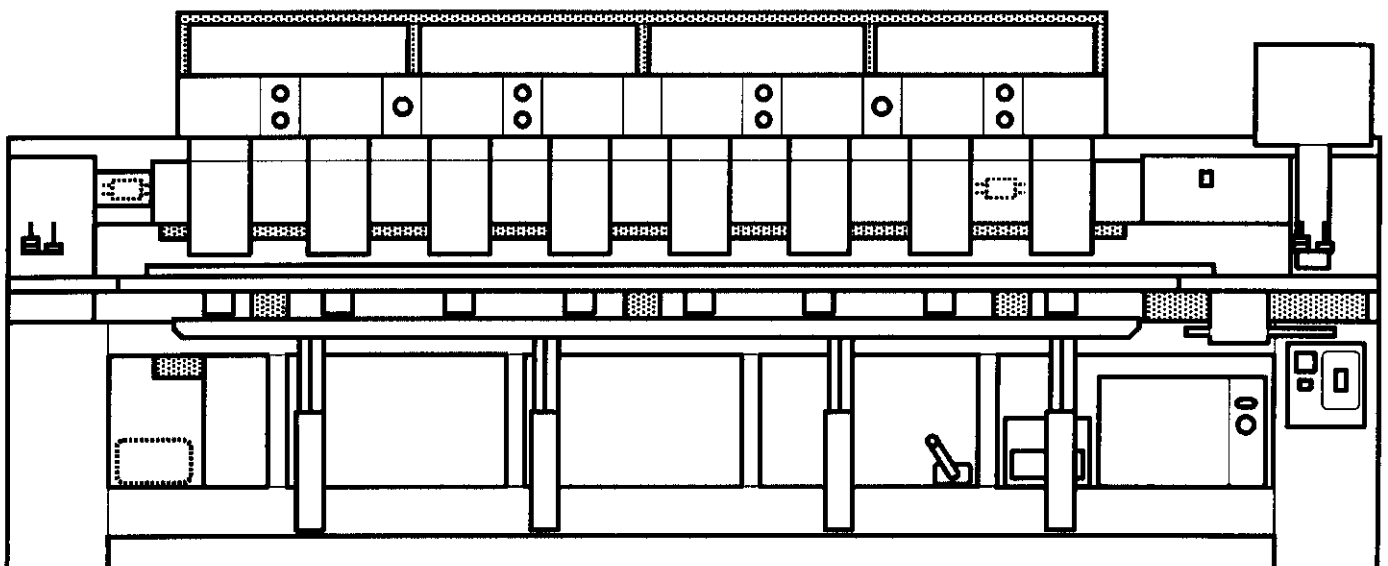
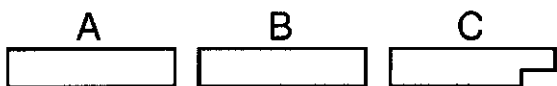
720-30, 720N-30



812-30, 812N-30, 812-36



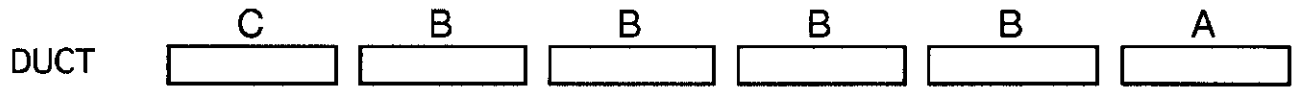
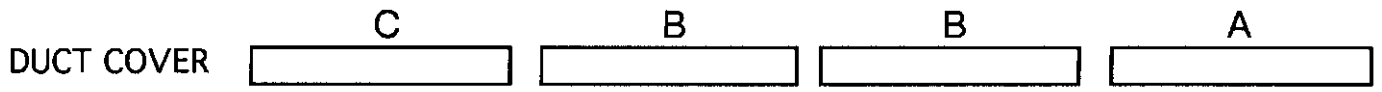
806-36



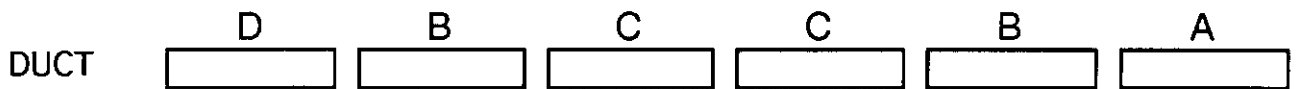
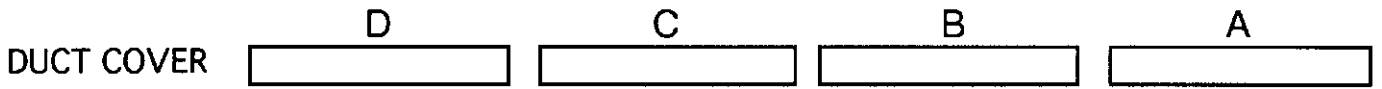


指図 / E/t PARTS NAMES		4 Rear cover A	4 Rear cover B	4 Rear cover C	4 Rear cover D
機種 MODEL	806-48	HCM16071	HCM16081	HCM16091	-
	804-48	HCM16071	HCM16081	-	-
	720-30	HCM16451	HCM16461	HCM16471	-
	720N-30	HCM16451	HCM16461	HCM16471	-
	812-30	HCM16561	HCM16571	HCM16581	HCM16591
	812N-30	HCM16561	HCM16571	HCM16581	HCM16591
	812-36	HCM16561	HCM16571	HCM16581	HCM16591
	806-36	HCM16351	HCM16361	HCM16371	-

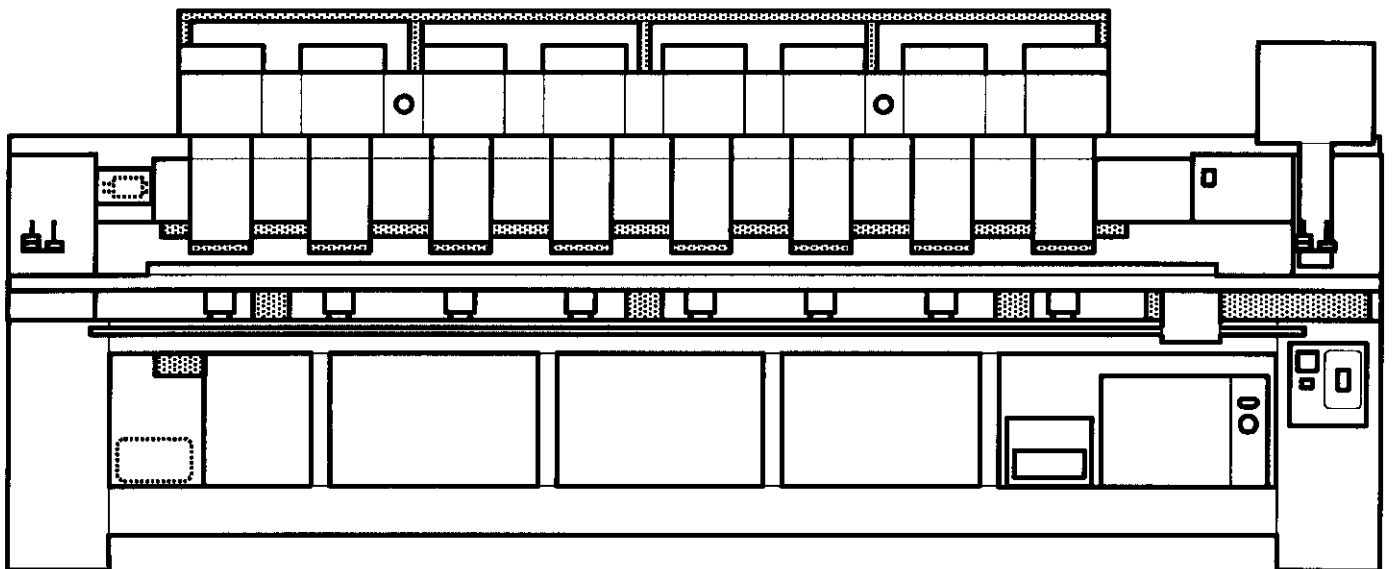
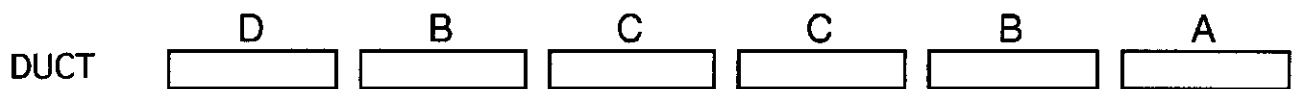
1012-48



1016-36



816-36

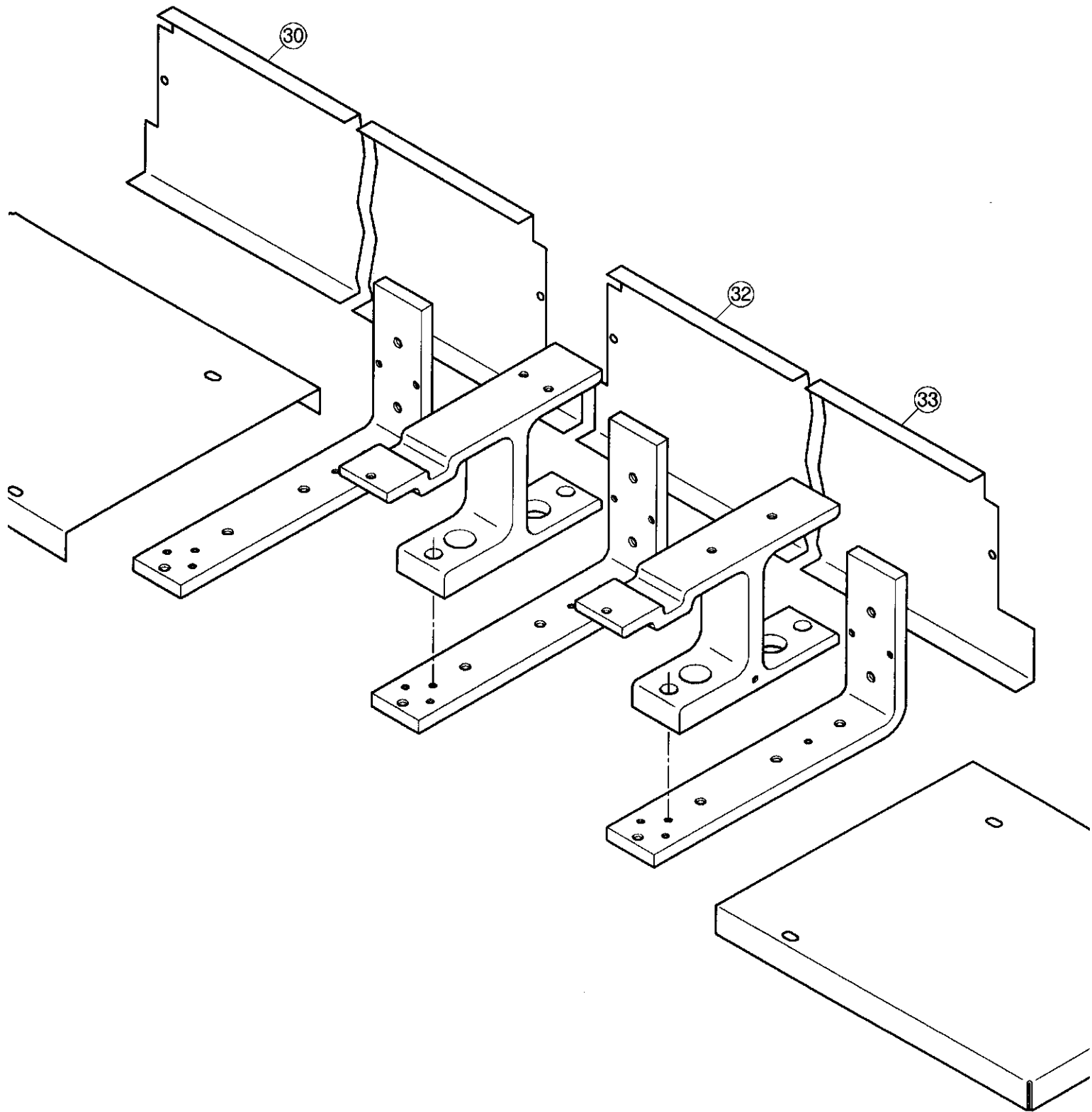


指図 / EIt		11	11	11	11
PARTS NAMES		Duct cover A	Duct cover B	Duct cover C	Duct cover D
機種 MODEL	1012-48	HCM16990	HCM17000	HCM17010	-
	1016-36	HCM17170	HCM17180	HCM17190	HCM17200
	816-36	HCM16713	HCM16723	HCM16734	HCM16742

指図 / EIt		17	17	17	17
PARTS NAMES		Duct A	Duct B	Duct C	Duct D
機種 MODEL	1012-48	HCM16961	HCM16971	HCM16982	-
	1016-36	HCM17132	HCM17141	HCM17151	HCM17161
	816-36	HCM16674	HCM16683	HCM16693	HCM16704

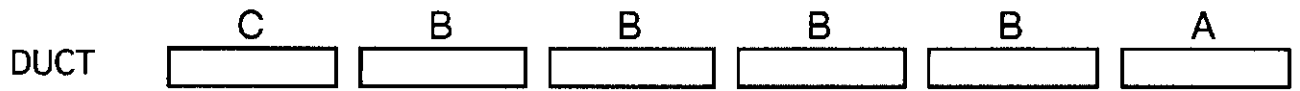
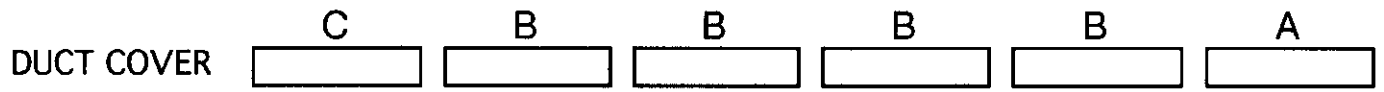
# REAR COVER

MF9219 22d-1

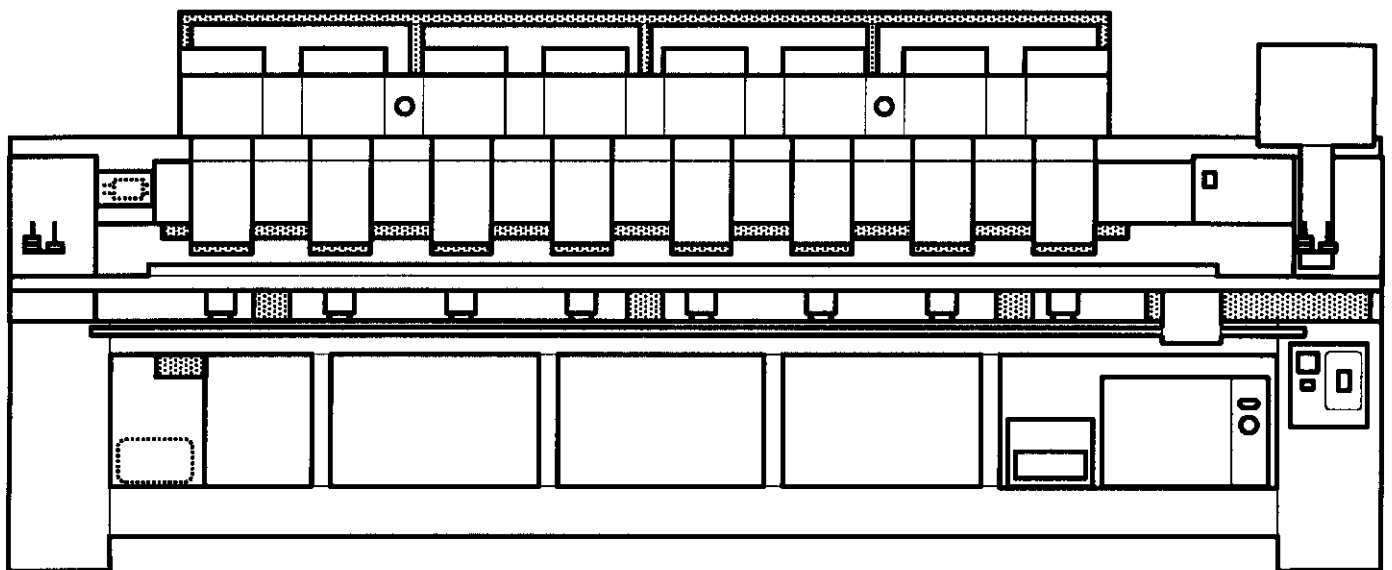
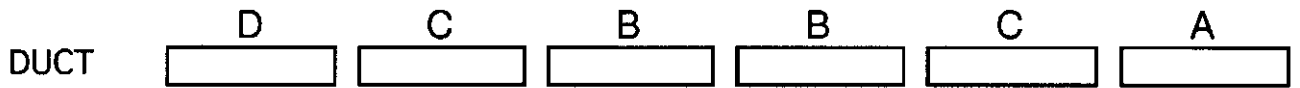
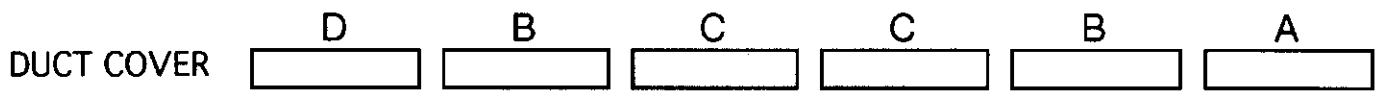


指図 / E/t PARTS NAMES		30 Rear cover left	32 Rear cover center	33 Rear cover right	
機種 MODEL	1 2 1 2 - 3 0	HCM17520	HCM17410	HCM17510	
	1 2 1 2 N - 3 0	HCM17520	HCM17410	HCM17510	
	1 0 1 2 - 3 0	HCM17420	HCM17410	HCM17400	
	1 0 1 2 N - 3 0	HCM17420	HCM17410	HCM17400	
	1 2 1 2 - 3 6	HCM17520	HCM17410	HCM17510	
	1 0 1 2 - 3 6	HCM17420	HCM17410	HCM17400	
	1 0 0 6 - 3 6	HCM17291	HCM17281	HCM17271	

## 1 2 1 2 X - 4 8



## 1 2 1 6 - 3 6

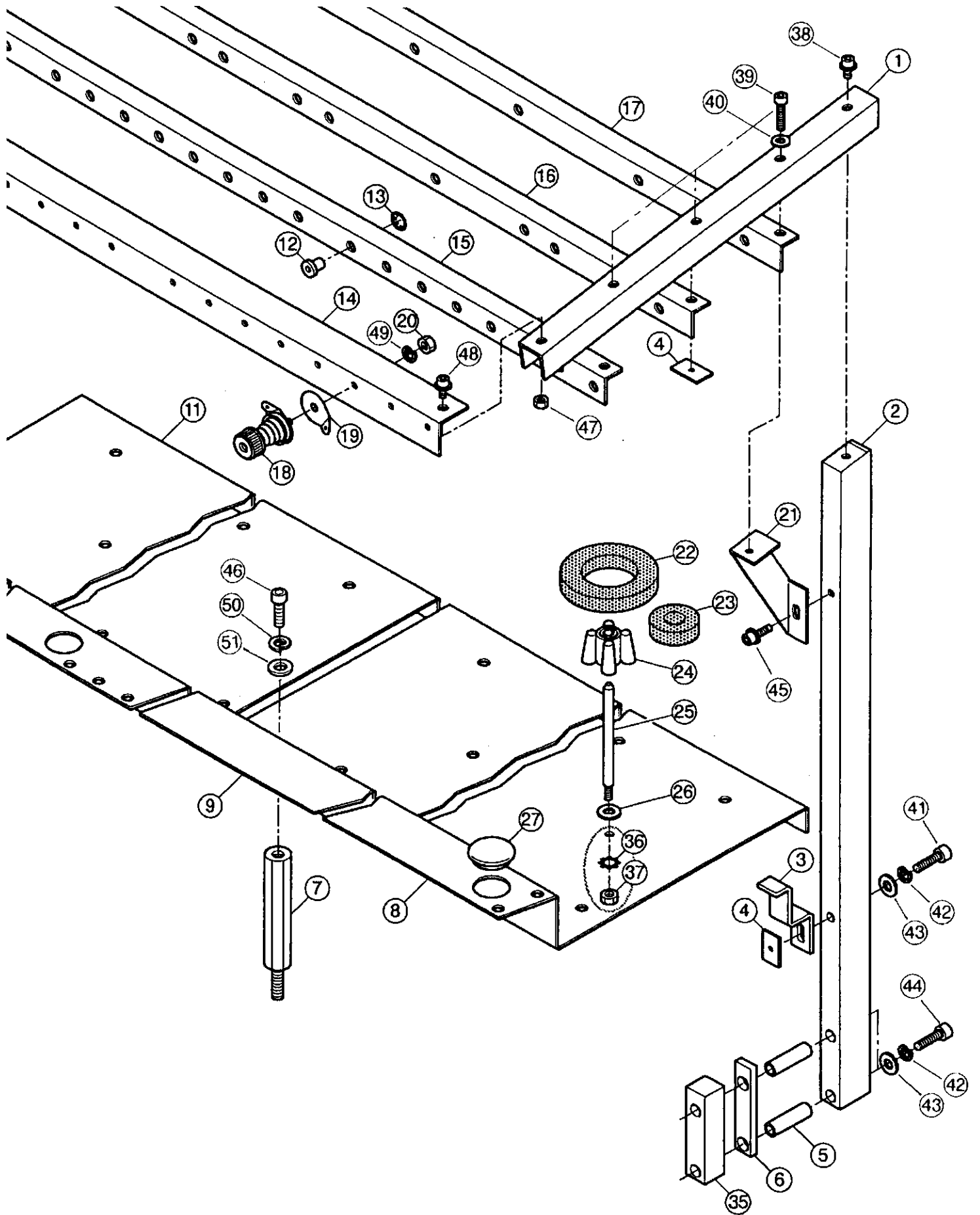


指図 / El't PARTS NAMES		11 Duct cover A	11 Duct cover B	11 Duct cover C	11 Duct cover D
機種	1 2 1 2 X - 4 8	HCM17800	HCM17810	HCM17820	-
MODEL	1 2 1 6 - 3 6	HCM17651	HCM17660	HCM17670	HCM17681

指図 / El't PARTS NAMES		17 Duct A	17 Duct B	17 Duct C	17 Duct D
機種	1 2 1 2 X - 4 8	HCM17770	HCM17780	HCM17790	-
MODEL	1 2 1 6 - 3 6	HCM17631	HCM17141	HCM17151	HCM17641

# THREAD STAND A

MF9A30s 23a-1





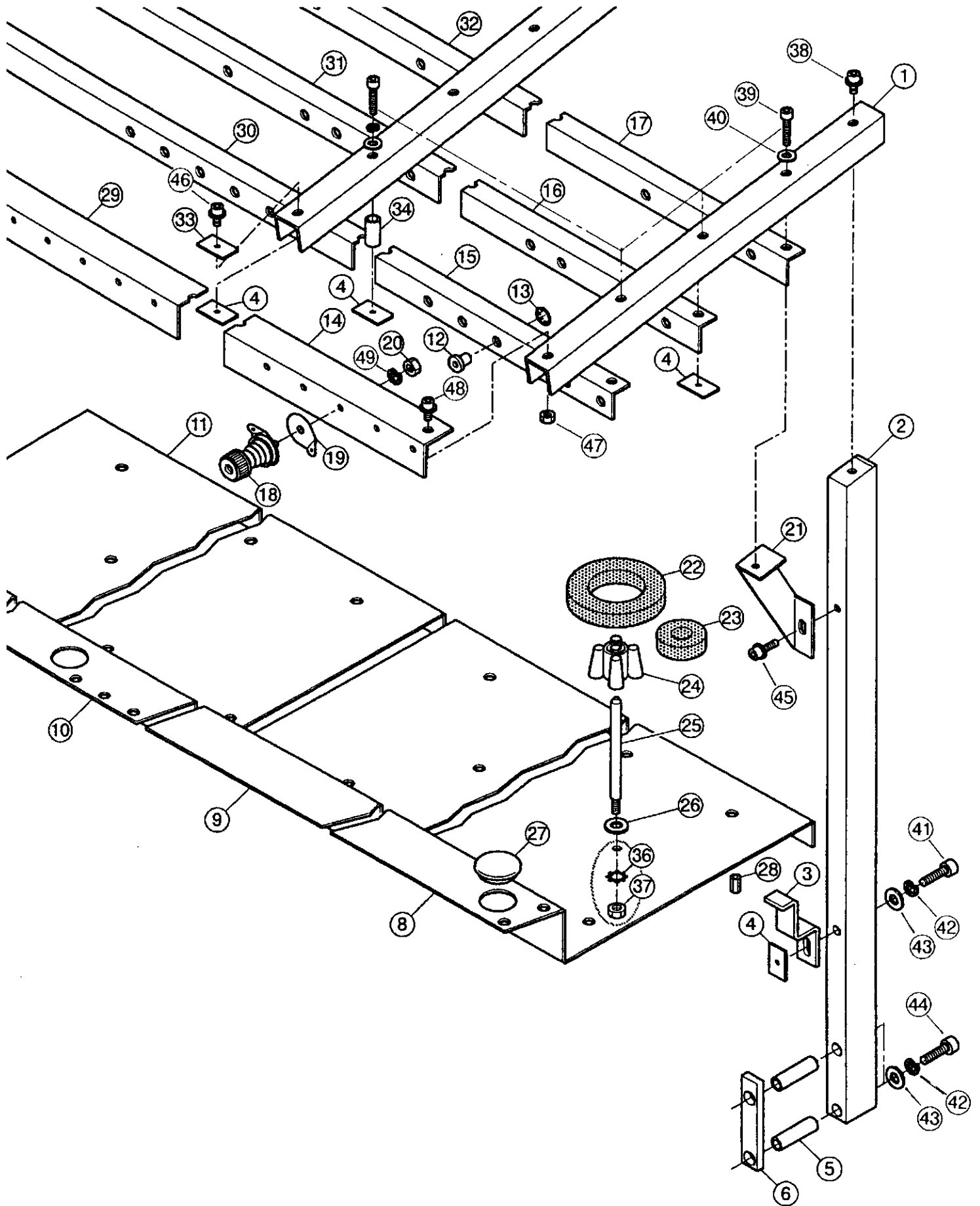
# THREAD STAND A

# 23a-1

組 Ass'y	指図 El't	部品番号 PARTS No.	PARTS NAMES	MF9A30s NOTE / 備考
	1	HMF20054	Thread guide connecting plate	
	1	HMF21200	Thread guide connecting plate (for HMF-L820 type)	
	1	HCM20810	Thread guide connecting plate (for HCM-1212-30,-36 1212N-30 type)	
	2	→24a	Thread guide pillar (by model)	
	3	HMF20611	Reinforcement plate B	
	4	M0420901	Plate nut	
	5	HMF20670	Spacer	
	5	HCM20820	Spacer (for HCM-1212-30,-36, 1212N-30 type)	
	6	HMF20660	Vibration insulator B	
	7	HCM20370	Stud (for HCM-720-30, 720N-30 type)	
	8	→24a	Fixing plate A, right (by model)	
	9	→24a	Fixing plate A, center (by model)	
	11	→24a	Fixing plate A, left (by model)	
	12	M0445080	Eyelet	
	13	MPR00110	SE-ring (SE-7)	
	14	→24a	Thread guide unit fixing plate (by model)	
	15	→24a	Thread guide A (by model)	
	16	→24a	Thread guide B (by model)	
	17	→24a	Thread guide C (by model)	
	18	M0416124	Thread guide unit	
	19	MPZ00200	Tension guide plate	
	20	NHAA04000	Hexagon nut (M4)	
	21	HMF20321	Reinforcement plate	
	22	HMF20571	Felt ring (Large)	
	23	M0420051	Felt ring (Small)	
	24	MPZ00340	Plastic spring	
	25	M0420032	Thread stand pin	
	26	M0420890	Washer	
	27	MPZ00190	Plug (OB-31)	
	35	HMF21250	Spacer (for HMF-L820 type)	
	35	HCM20800	Spacer (for HCM-1212-30,-36 1212N-30 type)	
	36	WTBC06000	Toothed lock washer	
	37	NHAB05000	Hexagon nut (M5)	
	38	SCBD05008	Hexagon socket head cap screw with flange (M5x8)	
	39	SCAD04025	Hexagon socket head cap screw (M4x25)	
	40	WPAD04000	Plain washer (M4)	
	41	SCAA06018	Hexagon socket head cap screw (M6x18)	
	42	WSAA06000	Spring lock washer (M6)	
	43	WPAA06000	Plain washer (M6)	
	44	SCAA06040	Hexagon socket head cap screw (M6x40)	
	45	SCAA04008	Hexagon socket head cap screw (M4x8)	
	46	SCAD05010	Hexagon socket head cap screw (M5x10)	
	47	NHAD04000	Hexagon nut (M4)	
	48	SCBD04008	Hexagon socket head cap screw with flange (M4x8)	
	49	WSAA04000	Spring lock washer (M4)	
	50	WSAD05000	Spring lock washer (M5)	
	51	WPAD05000	Plain washer (M5)	

# THREAD STAND B

MF9A30s 23b-1



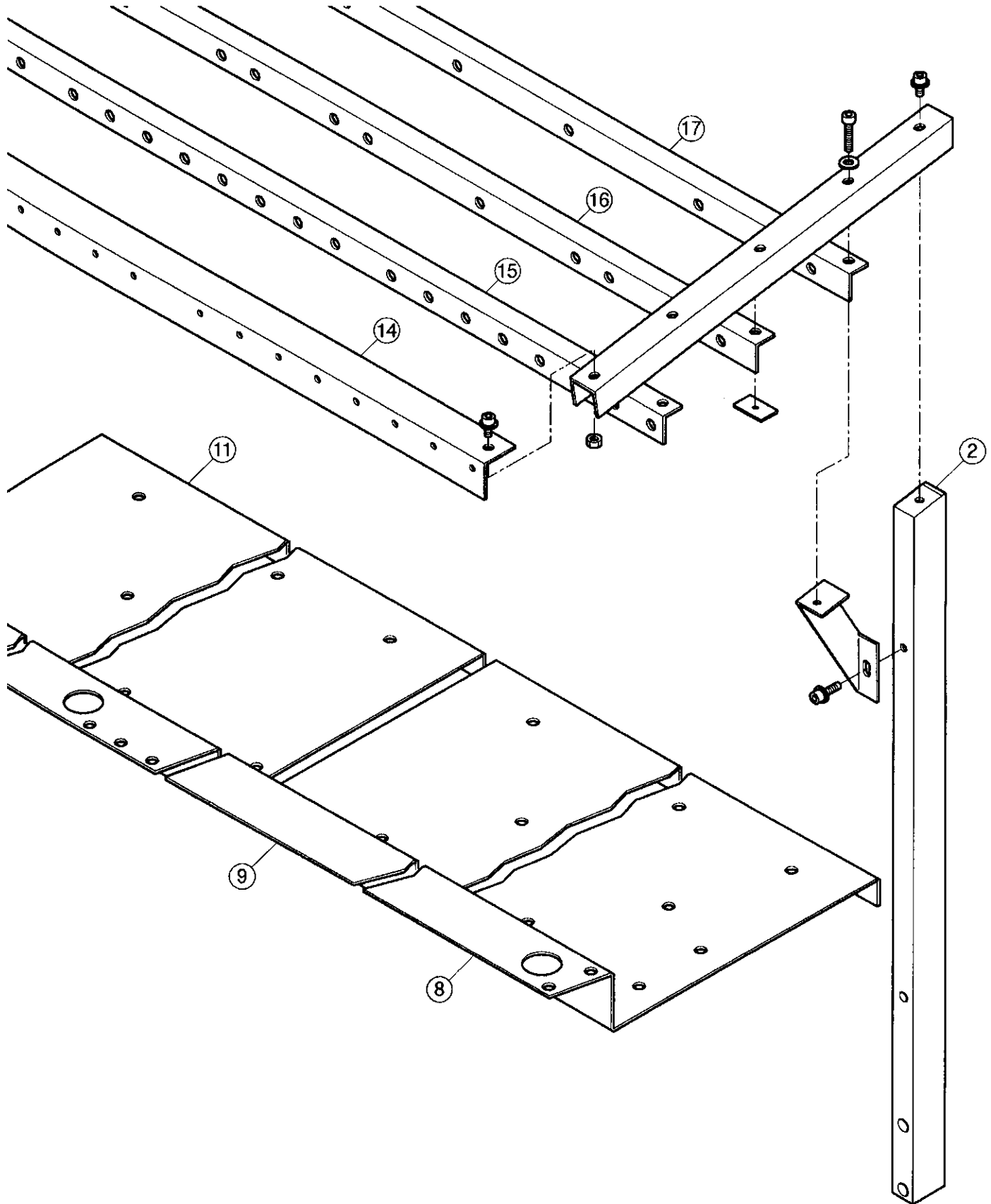
# THREAD STAND B

23b-1

組 Ass'y	指図 El't	部品番号 PARTS No.	PARTS NAMES	MF9A30s NOTE / 備考
	1	HMF20054	Thread guide connecting plate	
	1	HMF22170	Thread guide connecting plate (for HMF-W1215, HCM-1212X-48 type)	
	1	HCM20810	Thread guide connecting plate (for 1216-36 type)	
	2	→24b	Thread guide pillar (by model)	
	3	HMF20611	Reinforcement plate B	
	4	M0420901	Plate nut	
	5	HMF20670	Spacer	
	6	HMF20660	Vibration insulator B	
	8	→24b	Fixing plate A, right (by model)	
	9	→24b	Fixing plate A, center-1 (by model)	
	10	→24b	Fixing plate A, center-2 (by model)	
	11	→24b	Fixing plate A, left (by model)	
	12	M0445080	Eyelet	
	13	MPR00110	SE-ring (SE-7)	
	14	→24b	Thread guide unit fixing plate, right (by model)	
	15	→24b	Thread guide A, right (by model)	
	16	→24b	Thread guide B, right (by model)	
	17	→24b	Thread guide C, right (by model)	
	18	M0416124	Thread guide unit	
	19	MPZ00200	Tension guide plate	
	20	NHAA04000	Hexagon nut (M4)	
	21	HMF20321	Reinforcement plate	
	22	HMF20571	Felt ring (Large)	
	23	M0420051	Felt ring (Small)	
	24	MPZ00340	Plastic spring	
	25	M0420032	Thread stand pin	
	26	M0420890	Washer	
	27	MPZ00190	Plug (OB-31)	
	28	MPZ01600	Spacer (ASB309) (for HMF-W820, W818 type)	
	29	→24b	Thread guide unit fixing plate, left (by model)	
	30	→24b	Thread guide A, left (by model)	
	31	→24b	Thread guide B, left (by model)	
	32	→24b	Thread guide C, left (by model)	
	33	HMF20651	Washer	
	34	HMF20770	Spacer	
	36	WTBC06000	Toothed lock washer	
	37	NHAB05000	Hexagon nut (M5)	
	38	SCBD05008	Hexagon socket head cap screw with flange (M5x8)	
	39	SCAD04025	Hexagon socket head cap screw (M4x25)	
	40	WPAD04000	Plain washer (M4)	
	41	SCAA06018	Hexagon socket head cap screw (M6x18)	
	42	WSAA06000	Spring lock washer (M6)	
	43	WPAA06000	Plain washer (M6)	
	44	SCAA06040	Hexagon socket head cap screw (M6x40)	
	45	SCAA04008	Hexagon socket head cap screw (M4x8)	
	46	SCBD04010	Hexagon socket head cap screw with flange (M4x10)	
	47	NHAD04000	Hexagon nut (M4)	
	48	SCBD04008	Hexagon socket head cap screw with flange (M4x8)	
	49	WSAA04000	Spring lock washer (M4)	

# THREAD STAND A

MF9108 24a-1

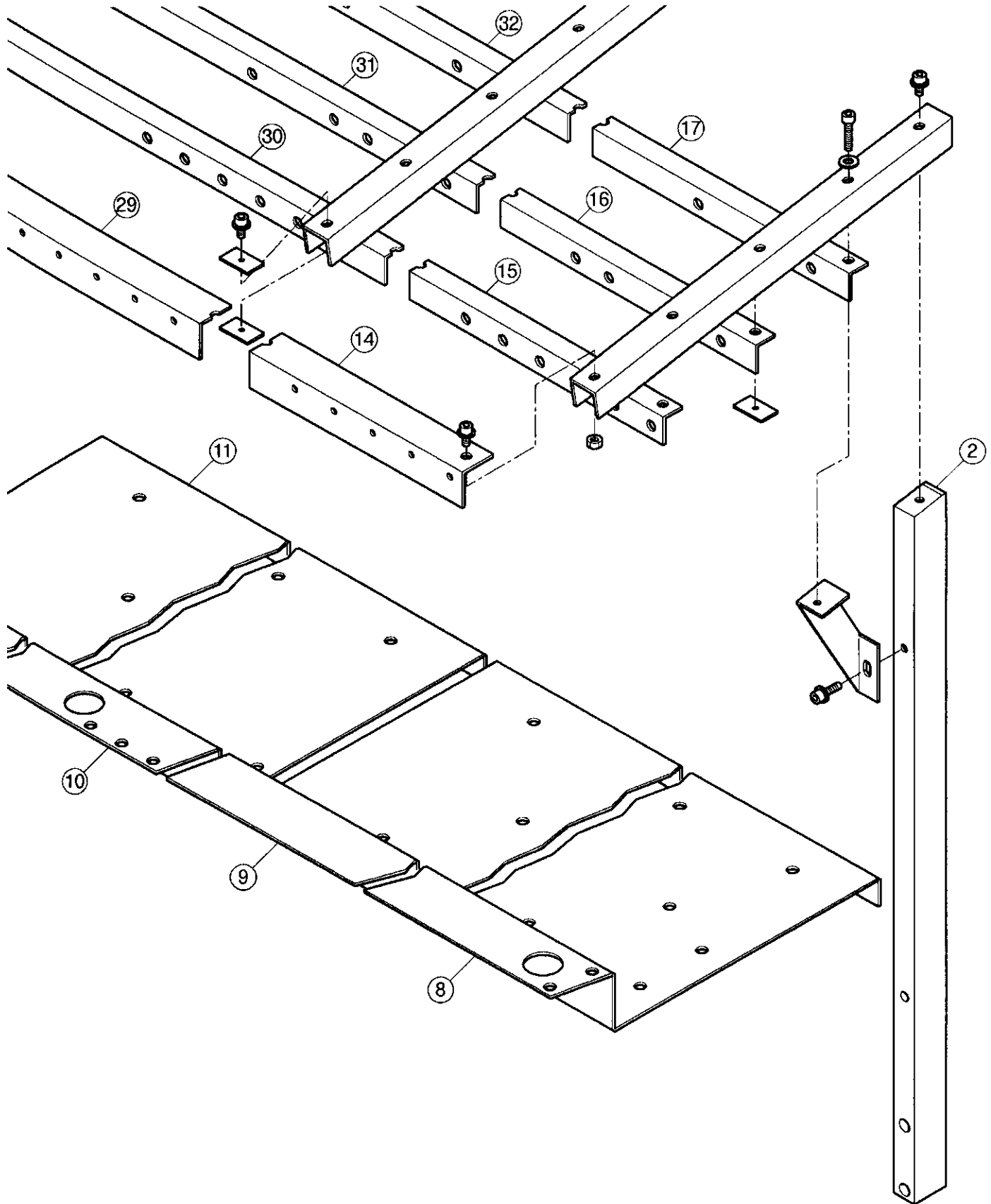


指図 / EIt PARTS NAMES		2 Thread guide pillar	8 Fixing plate A right	9 Fixing plate A center	11 Fixing plate A left
機種 MODEL	806-48	HMF20065	HCM16031	-	HCM16041
	804-48	HMF20065	HCM16011	-	-
	720-30	HMF20065	HCM16391	HCM16402	HCM16411
	720N-30	HMF20065	HCM16391	HCM16402	HCM16411
	1212-30	HCM20631	HCM17440	HCM17450	HCM17460
	1212N-30	HCM20631	HCM17440	HCM17450	HCM17460
	1012-30	HCM20631	HCM17341	HCM17351	HCM17361
	1012N-30	HCM20631	HCM17341	HCM17351	HCM17361
	812-30	HMF20065	HCM16101	HCM16111	HCM16121
	812N-30	HMF20065	HCM16101	HCM16111	HCM16121
	1212-36	HCM20631	HCM17440	HCM17450	HCM17460
	1012-36	HCM20631	HCM17341	HCM17351	HCM17361
	812-36	HMF20065	HCM16101	HCM16111	HCM16121
	1006-36	HCM20631	HCM17211	-	HCM17221
	806-36	HMF20065	HCM16481	-	HCM16492

指図 / EIt PARTS NAMES		14 Thread guide unit fixing plate	15 Thread guide A	16 Thread guide B	17 Thread guide C
機種 MODEL	806-48	HCM20082	HCM20051	HCM20061	HCM20071
	804-48	HCM20042	HCM20011	HCM20021	HCM20031
	720-30	HCM20242	HCM20211	HCM20221	HCM20231
	720N-30	HCM20242	HCM20211	HCM20221	HCM20231
	1212-30	HCM20830	HCM20840	HCM20850	HCM20860
	1212N-30	HCM20830	HCM20840	HCM20850	HCM20860
	1012-30	HCM20990	HCM20690	HCM20700	HCM20710
	1012N-30	HCM20990	HCM20690	HCM20700	HCM20710
	812-30	HCM20122	HCM20091	HCM20101	HCM20111
	812N-30	HCM20122	HCM20091	HCM20101	HCM20111
	1212-36	HCM20830	HCM20840	HCM20850	HCM20860
	1012-36	HCM20990	HCM20690	HCM20700	HCM20710
	812-36	HCM20122	HCM20091	HCM20101	HCM20111
	1006-36	HCM20640	HCM20650	HCM20660	HCM20670
	806-36	HCM20282	HCM20251	HCM20261	HCM20271

# THREAD STAND B

ME9108 24b-1



指図 / EIt		2			
PARTS NAMES		Thread guide pillar			
機種 MODEL	1 2 1 2 X - 4 8	HCM20432			
	1 0 1 2 - 4 8	HCM20432			
	8 1 2 - 4 8	HMF20065			
	1 2 1 6 - 3 6	HCM20432			
	1 0 1 6 - 3 6	HCM20432			
	8 1 6 - 3 6	HCM20432			

指図 / EIt		8	9	10	11
PARTS NAMES		Fixing plate A right	Fixing plate A center-1	Fixing plate A center-2	Fixing plate A left
機種 MODEL	1 2 1 2 X - 4 8	HCM17711	HCM17721	-	HCM17731
	1 0 1 2 - 4 8	HCM16902	HCM16912	-	HCM16922
	8 1 2 - 4 8	HCM16160	HCM16170	-	HCM16180
	1 2 1 6 - 3 6	HCM17572	HCM17582	HCM17582	HCM17592
	1 0 1 6 - 3 6	HCM17052	HCM17062	HCM17072	HCM17082
	8 1 6 - 3 6	HCM16755	HCM16765	HCM16775	HCM16785

指図 / EIt		14	15	16	17
PARTS NAMES		Thread guide unit fixing plate, right	Thread guide A right	Thread guide B right	Thread guide C right
機種 MODEL	1 2 1 2 X - 4 8	HCM21060	HCM21000	HCM21020	HCM21040
	1 0 1 2 - 4 8	HCM20450	HCM20470	HCM20490	HCM20510
	8 1 2 - 4 8	HCM20192	HCM20131	HCM20151	HCM20171
	1 2 1 6 - 3 6	HCM20870	HCM20890	HCM20910	HCM20930
	1 0 1 6 - 3 6	HCM20530	HCM20550	HCM20570	HCM20590
	8 1 6 - 3 6	HCM20351	HCM20290	HCM20310	HCM20330

指図 / EIt		29	30	31	32
PARTS NAMES		Thread guide unit fixing plate, left	Thread guide A left	Thread guide B left	Thread guide C left
機種 MODEL	1 2 1 2 X - 4 8	HCM21070	HCM21010	HCM21030	HCM21050
	1 0 1 2 - 4 8	HCM20460	HCM20480	HCM20500	HCM20520
	8 1 2 - 4 8	HCM20202	HCM20141	HCM20161	HCM20181
	1 2 1 6 - 3 6	HCM20880	HCM20900	HCM20920	HCM20940
	1 0 1 6 - 3 6	HCM20540	HCM20560	HCM20580	HCM20600
	8 1 6 - 3 6	HCM20361	HCM20300	HCM20320	HCM20340

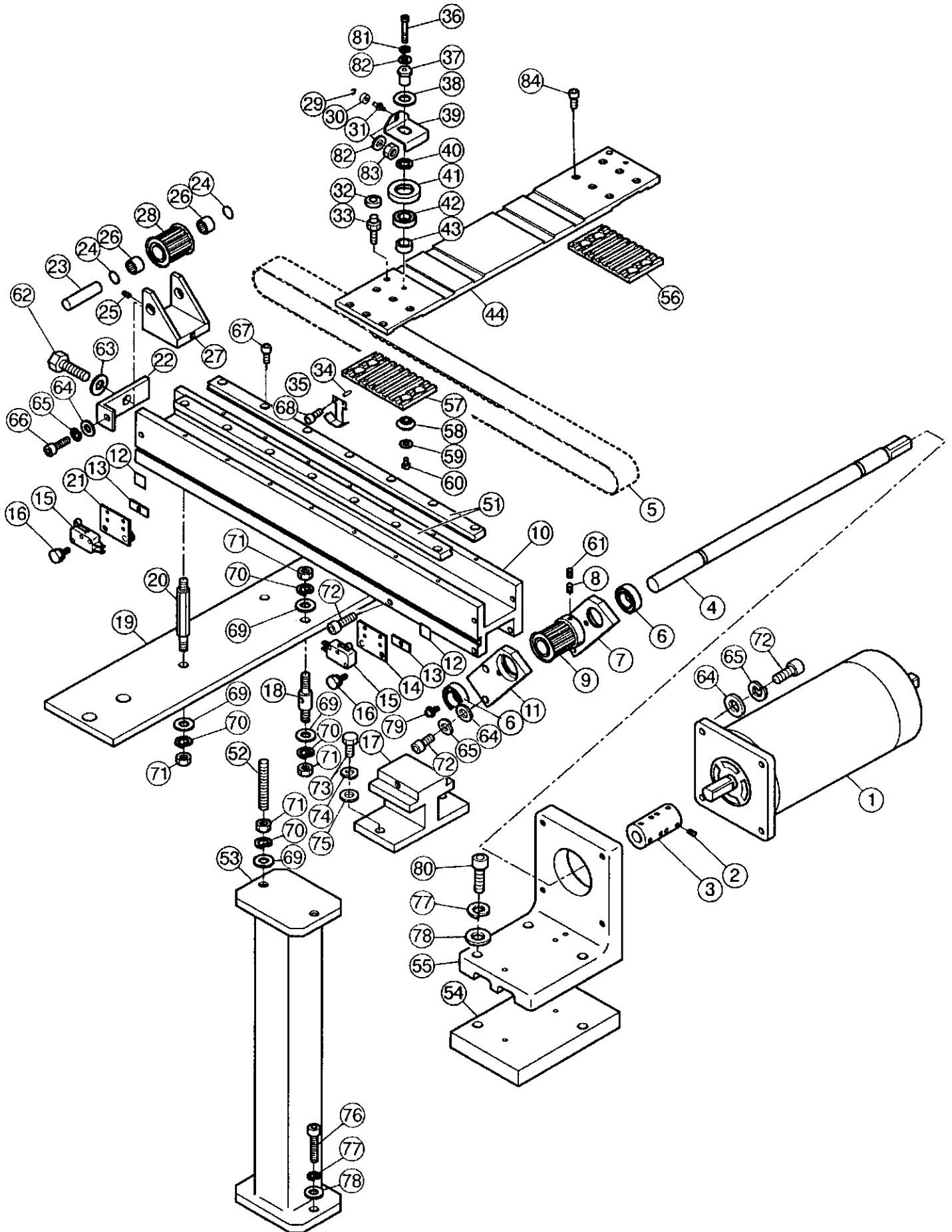




指図 / EIt UNIT NAMES		X carriage	Y carriage drive shaft	
機種 MODEL	1 2 1 2 X - 4 8	B	C	
	1 0 1 2 - 4 8	B	C	
	8 1 2 - 4 8	B	C	
	8 0 6 - 4 8	A	A	
	8 0 4 - 4 8	A	A	
	7 2 0 - 3 0	B	A	
	7 2 0 N - 3 0	B	A	
	1 2 1 2 - 3 0	A	A	
	1 2 1 2 N - 3 0	A	A	
	1 0 1 2 - 3 0	A	A	
	1 0 1 2 N - 3 0	A	A	
	8 1 2 - 3 0	A	A	
	8 1 2 N - 3 0	A	A	
	1 2 1 6 - 3 6	B	C	
	1 0 1 6 - 3 6	B	C	
	8 1 6 - 3 6	B	C	
	1 2 1 2 - 3 6	A	A	
	1 0 1 2 - 3 6	A	A	
	8 1 2 - 3 6	A	A	
	1 0 0 6 - 3 6	A	A	
8 0 6 - 3 6	A	A		

# X CARRIAGE A

CM9A30s 25b-1



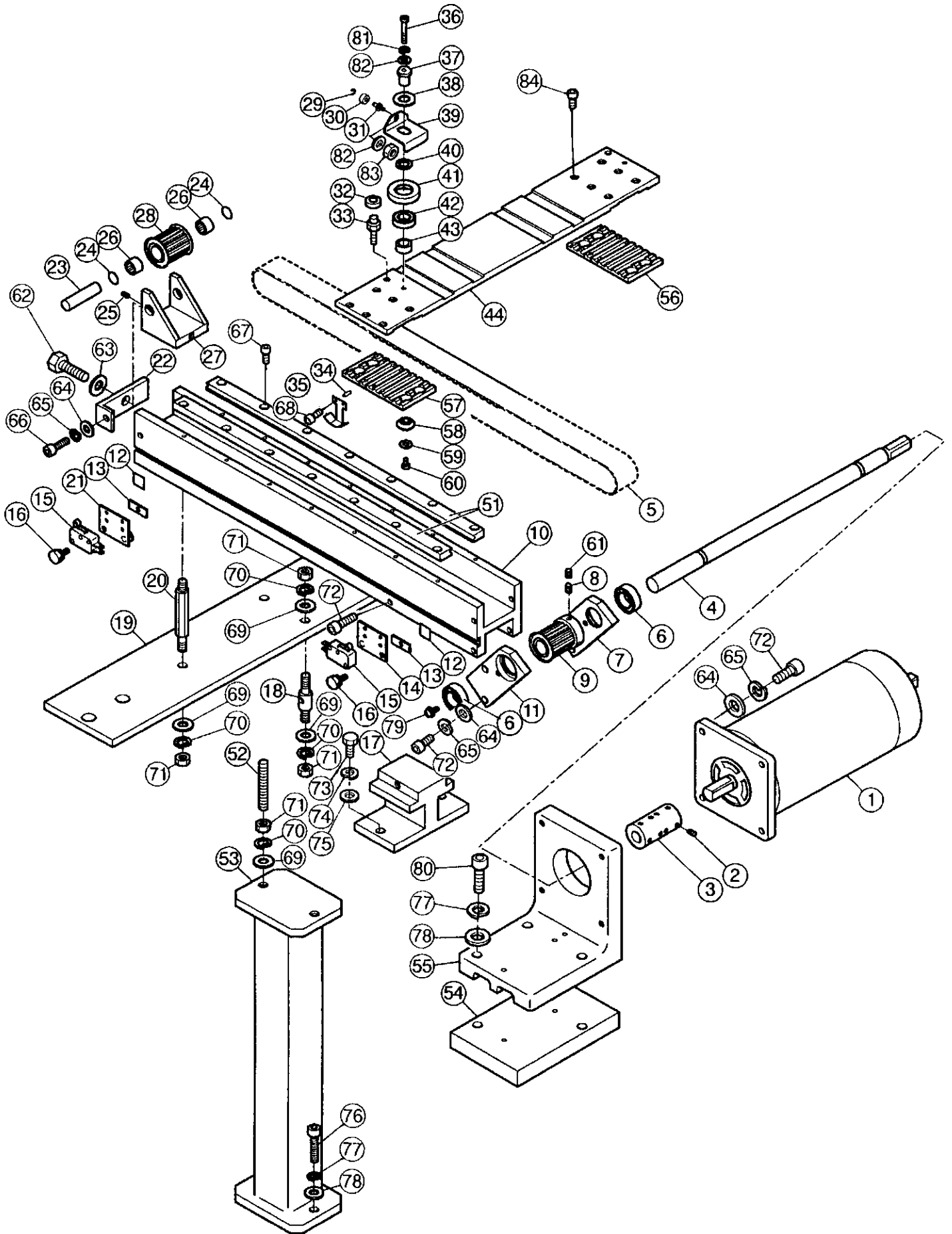
# X CARRIAGE A

25b-1

組 Ass'y	指図 Elt	部品番号 PARTS No.	PARTS NAMES	CM9219 NOTE / 備考
	1	EPM00080	Pulse motor	
	1	EPM00330	Pulse motor (for 804type)	
	2	SSAA05008	Hexagon socket set screw (M5x8)	
	3	M0424093	Coupling A	
	4	→26a	X carriage drive shaft (by model)	
	5	→26a	X timing belt (by model)	
	6	MPB00270	Bearing (6903ZZ)	
	7	HMF24050	Drive shaft support A	
	8	SSAA06006	Hexagon socket set screw (M6x6)	
	9	M0424141	Drive pulley	
	10	→26a	X rail base (by model)	
	11	HMF24060	Drive shaft support B	
	12	HCM51050	Embroidery range sticker (for border frame)	
	12	HCM51040	Embroidery range sticker (for cap frame wide type)	
	12	HCM51030	Embroidery range sticker (for cap frame standard type)	
	13	M0424210	Fixing nut	
	14	M0424221	Limit switch plate	
	15	EPS00010	Micro switch	
	16	MPZ00990	Thumb knob	
	17	HMF24020	Supporting base B	
	18	HMF24451	Supporting base pillar	
	19	→26a	X base plate (by model)	
	20	HMF24080	X carriage stud	
	21	M0424231	Limit switch plate 2	
	22	M0424202	Tension bracket	
	23	M0424180	Idler shaft	
	24	M0424160	Spacer	
	25	SSAA03006	Hexagon socket set screw (M3x6)	
	26	MPB00280	Needle bearing (HK1210)	
	27	M0424190	X idler pulley support	
	28	M0424172	Idler pulley	
	29	MPR00230	E-ring	
	30	M0425160	Small roller	
	31	M0425151	Small roller shaft	
	32	MPB00250	Bearing (L-1680ZZ)	
	33	M0424003	X cam follower shaft	
	34	MPZ01610	Roll bushing spacer	
	35	M0424050	Limit switch dog	
	36	SCAD04030	Hexagon socket head cap screw (M4x30)	
	37	M0426082	Roller support B (eccentric)	
	38	WPAD10000	Plain washer (M10)	
	39	HMF24181	Roller support fixture	
	40	HMF24200	Spacer	
	41	HMF24210	Bearing roller	
	42	MPB00560	Bearing (6900ZZ)	
	43	HMF24191	Collar	
	44	→26a	Cam follower base (by model)	

# X CARRIAGE A

CM9A30s 25b-2



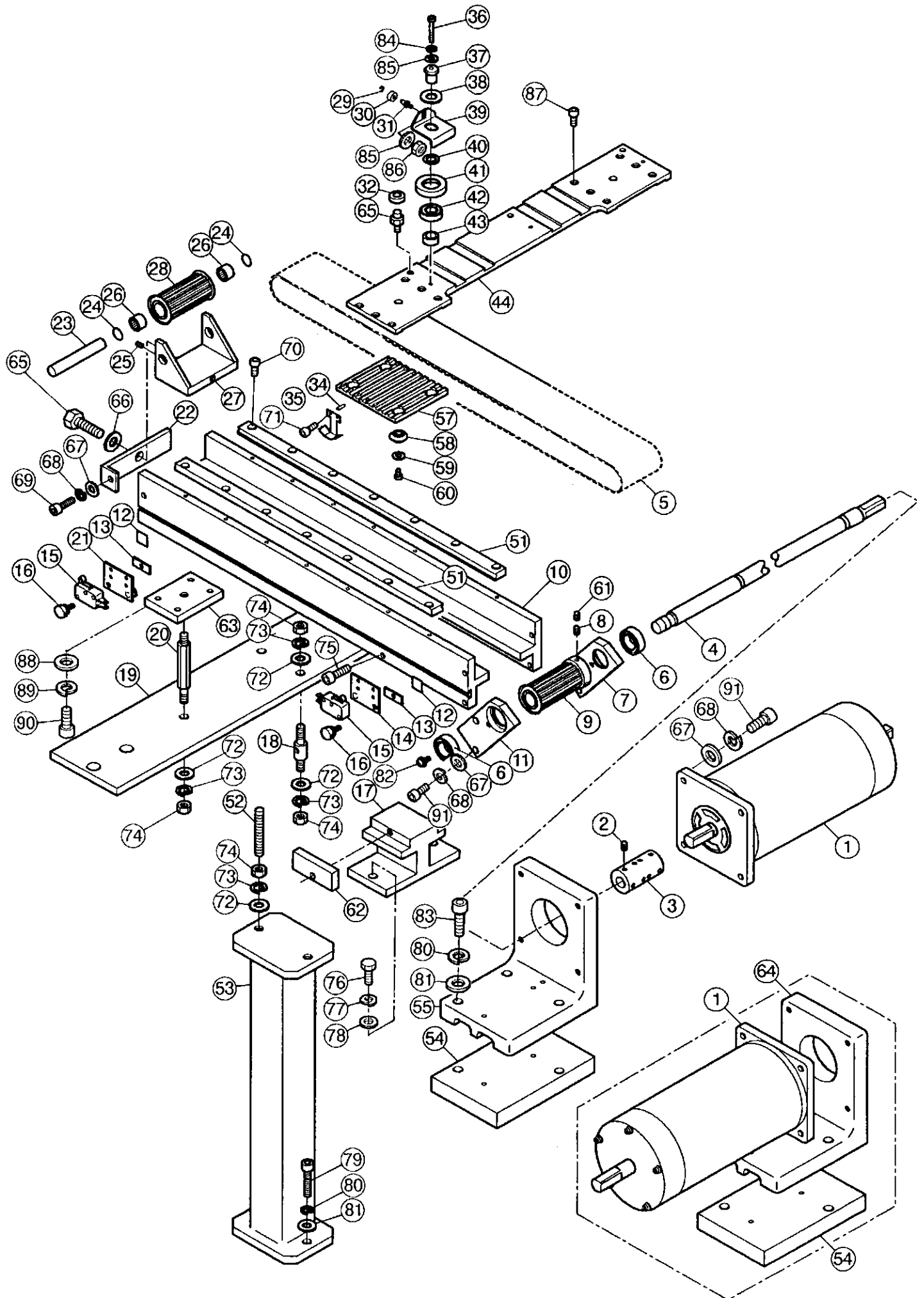
# X CARRIAGE A

# 25b-2

組 Ass'y	指図 El't	部品番号 PARTS No.	PARTS NAMES	CM1001s NOTE / 備考
		51 →26a	X rail with V groove (by model)	
		52 HCM04340	Bed stud B	
		53 HCM24021	X base support	
		54 HCM24320	Pulse motor bracket spacer (for Y480 type)	
		55 HCM24333	Pulse motor bracket (for Y480 type)	
		56 HMF24912	Holding plate F ass'y	
		57 HMF24892	Holding plate E ass'y	
		58 HMF24570	Roller bearing	
		59 WPAA04000	Plain washer (M4)	
		60 SCAA04006	Hexagon socket head cap screw (M4x6)	
		61 SSBA06006	Hexagon socket set screw (M6x6)	
		62 SHAB08070	Hexagon head bolt (M8x70)	
		63 WPAD08000	Plain washer (M8)	
		64 WPAA06000	Plain washer (M6)	
		65 WSAA06000	Spring lock washer (M6)	
		66 SCAA06015	Hexagon socket head cap screw (M6x15)	
		67 SCAA04010	Hexagon socket head cap screw (M4x10)	
		68 SCAD03015	Hexagon socket head cap screw (M3x15)	
		69 WPAD08000	Plain washer (M8)	
		70 WSAD08000	Spring lock washer (M8)	
		71 NHAD08000	Hexagon nut (M8)	
		72 SCAA06020	Hexagon socket head cap screw (M6x20)	
		73 SHAD06025	Hexagon head bolt (M6x25)	
		74 WSAD06000	Spring lock washer (M6)	
		75 WPAD06000	Plain washer (M6)	
		76 SCAA08025	Hexagon socket head cap screw (M8x25)	
		77 WSAA08000	Spring lock washer (M8)	
		78 WPAA08000	Plain washer (M8)	
		79 SPDB04008	Pan head screw (cross recessed, M4x8)	
		80 SCAA08055	Hexagon socket head cap screw (M8x55)	
		81 WSAD04000	Spring lock washer (M4)	
		82 WPAD04000	Plain washer (M4)	
		83 NHAD04000	Hexagon nut (M4)	
		84 SCAB04008	Hexagon socket head cap screw (M4x8)	

# X CARRIAGE B1

CM9A30S 25c-1



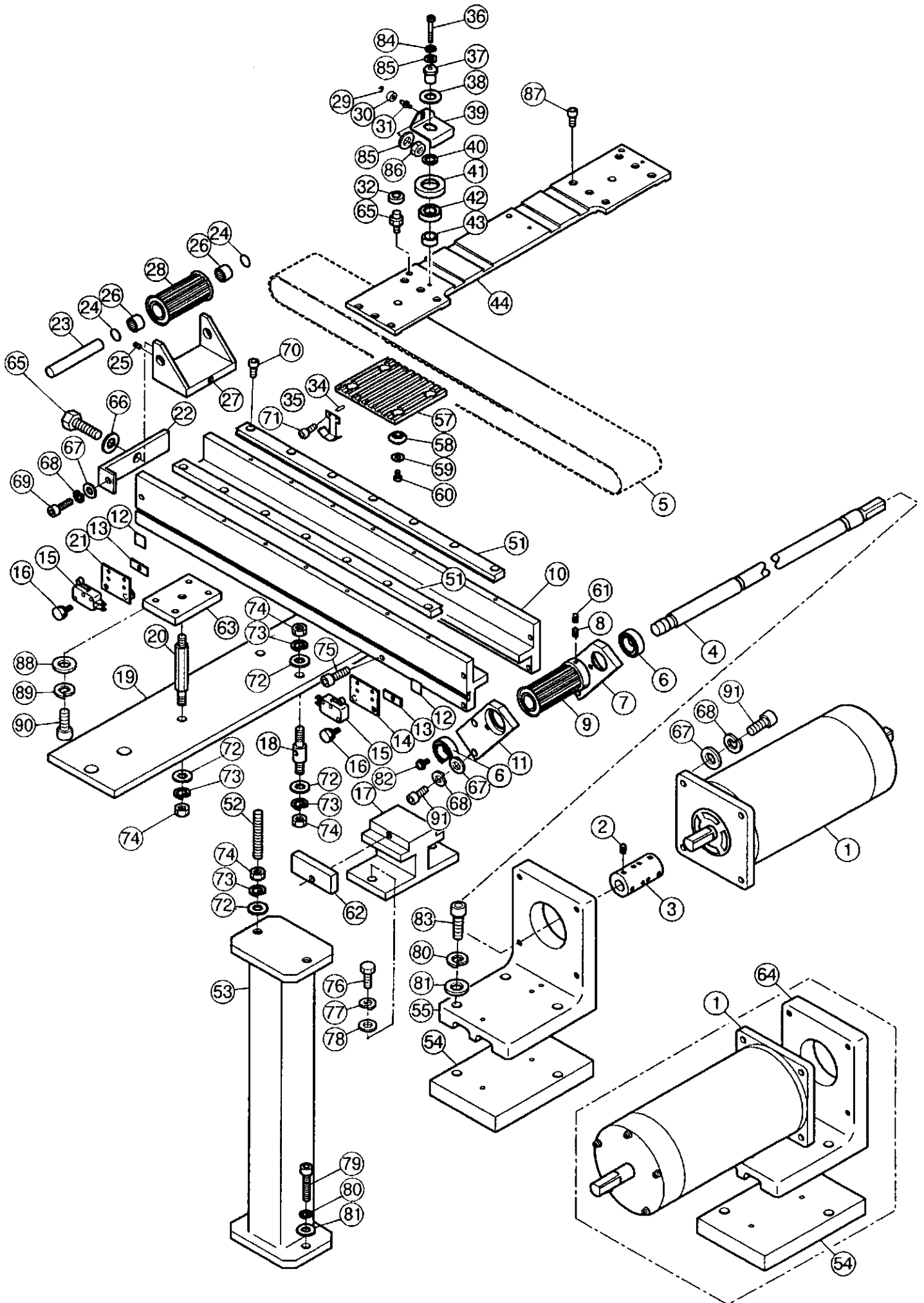
# X CARRIAGE B1

25c-1

組 Ass'y	指図 El't	部品番号 PARTS No.	PARTS NAMES	CM9219 NOTE / 備考
	1	EPM00080	Pulse motor	
	2	SSAA05008	Hexagon socket set screw (M5x8)	
	3	M0424093	Coupling A	
	4	→26a	X carriage drive shaft (by model)	
	5	→26a	X timing belt (by model)	
	6	MPB00270	Bearing (6903ZZ)	
	7	HMF24050	Drive shaft support A	
	8	SSAA06006	Hexagon socket set screw (M6x6)	
	9	HCM25070	Drive pulley	
	10	→26a	X rail base (by model)	
	11	HMF24060	Drive shaft support B	
	12	HCM51050	Embroidery range sticker (for border frame)	
	12	HCM51040	Embroidery range sticker (for cap frame wide type)	
	12	HCM51030	Embroidery range sticker (for cap frame standard type)	
	13	M0424210	Fixing nut	
	14	M0424221	Limit switch plate	
	15	EPS00010	Micro switch	
	16	MPZ00990	Thumb knob	
	17	HMF24020	Supporting base B	
	18	HMF24451	Supporting base pillar	
	19	→26a	X base plate (by model)	
	20	HCM25160	X rail base stud A	
	21	M0424231	Limit switch plate 2	
	22	HCM25110	Tension bracket	
	23	HCM25090	Idler shaft	
	24	M0424160	Spacer	
	25	SSAA03006	Hexagon socket set screw (M3x6)	
	26	MPB00280	Needle bearing (HK1210)	
	27	HCM25101	X idler pulley support	
	28	HCM25080	Idler pulley	
	29	MPR00230	E-ring	
	30	M0425160	Small roller	
	31	M0425151	Small roller shaft	
	32	MPB00250	Bearing (L-1680ZZ)	
	33	M0424003	X cam follower shaft	
	34	MPZ01610	Roll bushing spacer	
	35	M0424050	Limit switch dog	
	36	SCAD04030	Hexagon socket head cap screw (M4x30)	
	37	M0426082	Roller support B (eccentric)	
	38	WPAD10000	Plain washer (M10)	
	39	HMF24181	Roller support fixture	
	40	HMF24200	Spacer	
	41	HMF24210	Bearing roller	
	42	MPB00560	Bearing (6900ZZ)	
	43	HMF24191	Collar	
	44	→26a	Cam follower base (by model)	

# X CARRIAGE B1

CM9A30s 25c-2





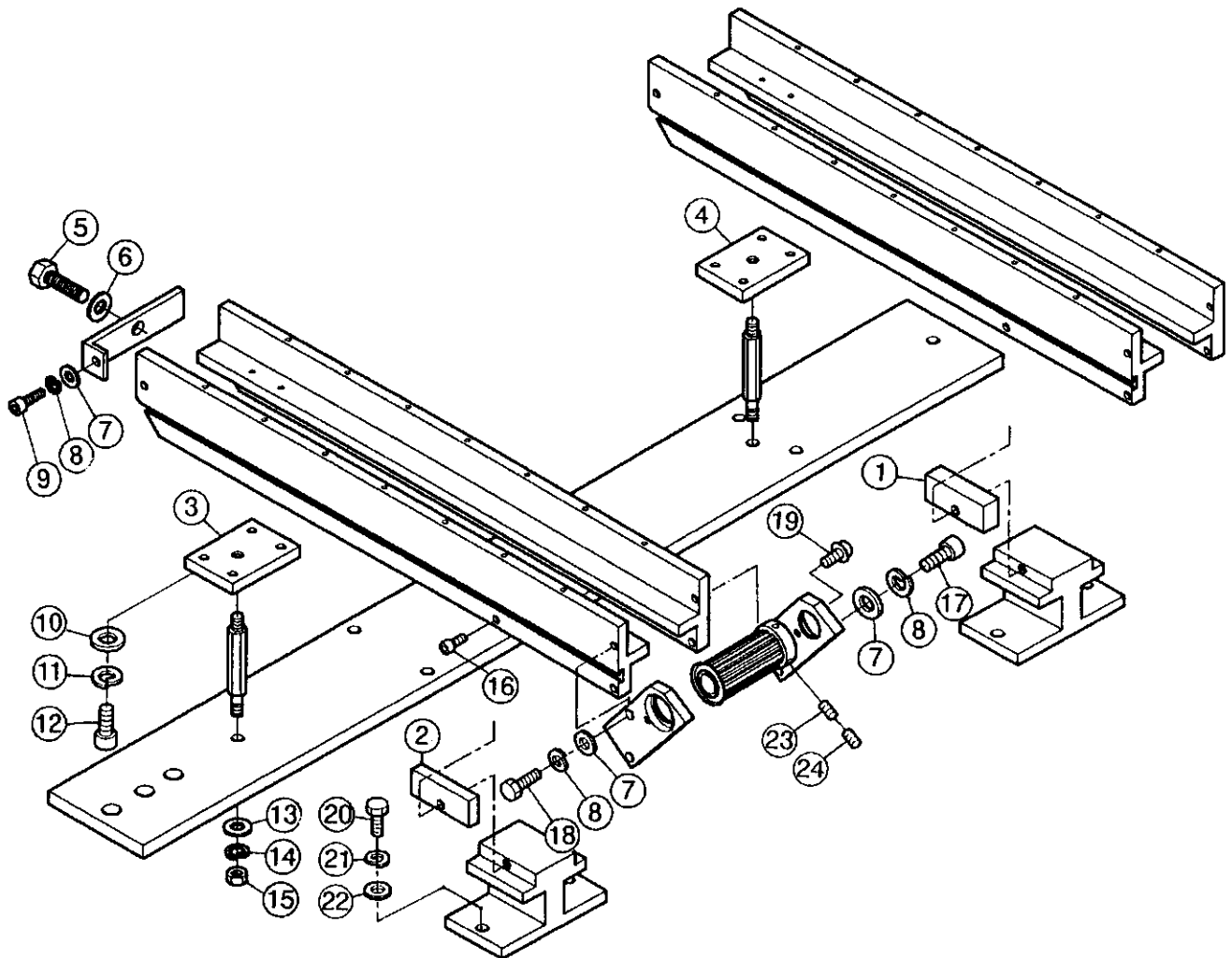
# X CARRIAGE B1

25c-2

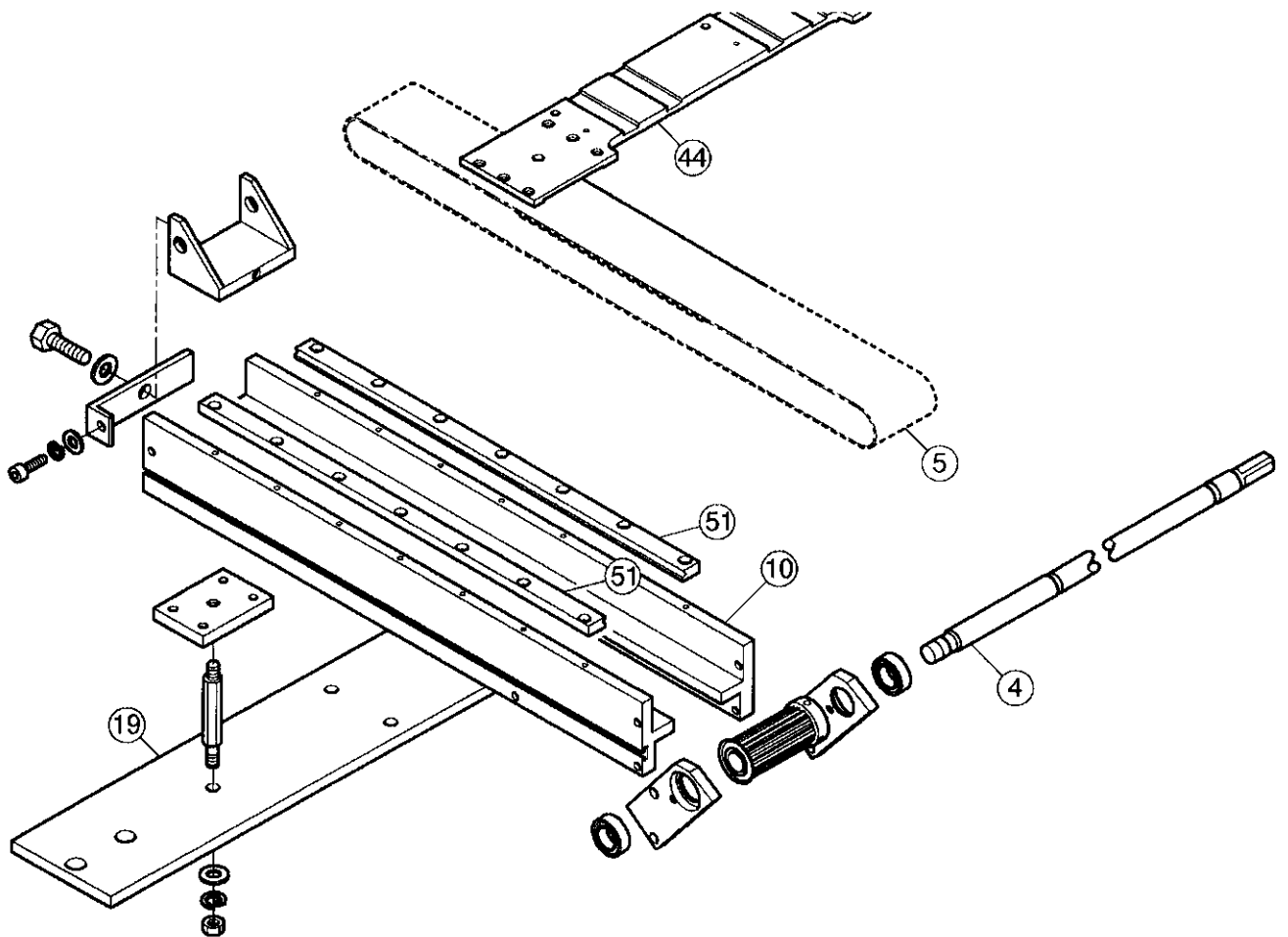
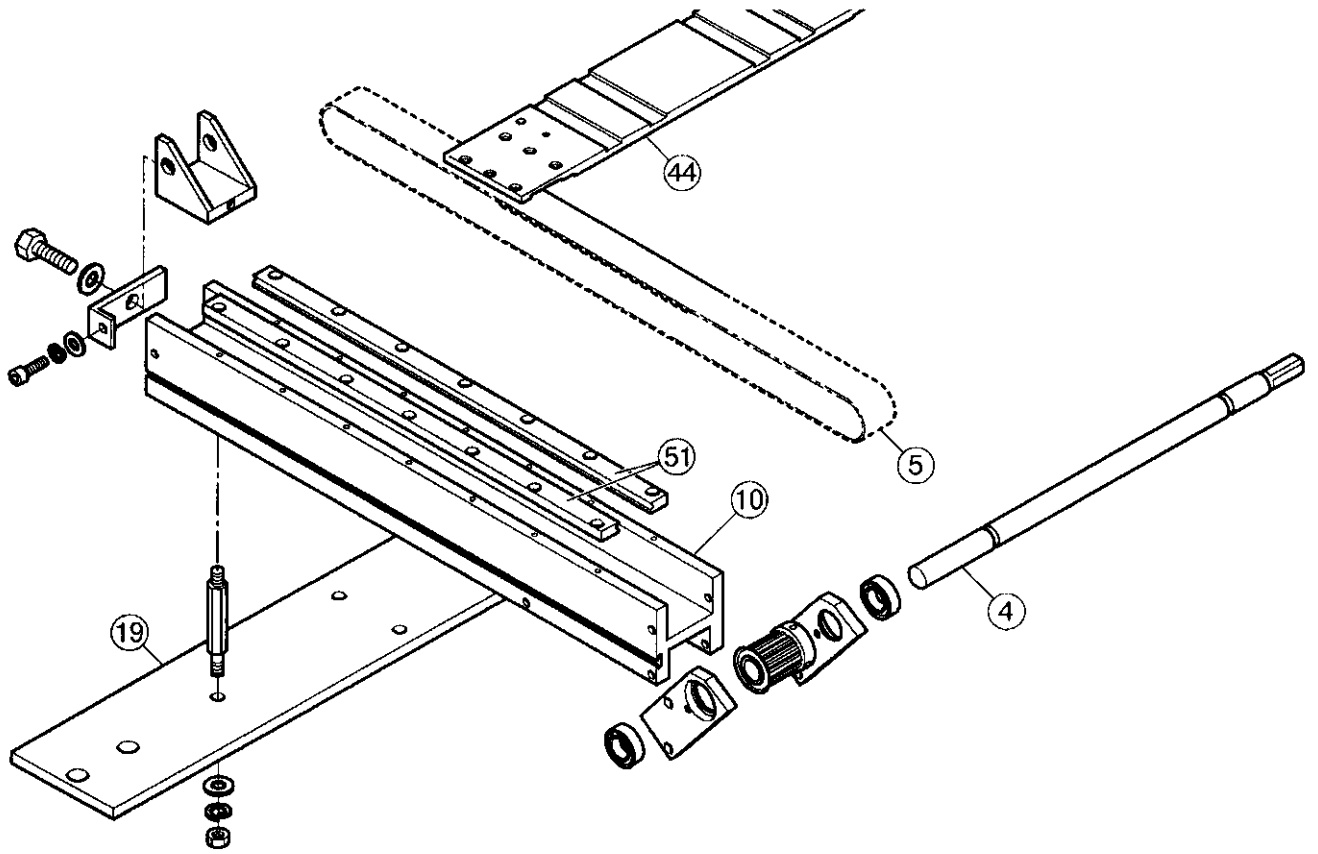
組 Ass'y	指図 El't	部品番号 PARTS No.	PARTS NAMES	CM1001s NOTE / 備考
		51 →26a	X rail with V groove (by model)	
		52 HCM04340	Bed stud B	
		53 HCM24021	X base support	
		54 HCM24320	Pulse motor bracket spacer (for Y480 type, 1216-36, 1016-36, 816-36 type)	
		55 HCM24333	Pulse motor bracket (for Y480 type, 1216-36, 1016-36, 816-36 type)	
		57 HCM25052	Holding plate ass'y	
		58 HMF24570	Roller bearing	
		59 WPAA04000	Plain washer (M4)	
		60 SCAA04006	Hexagon socket head cap screw (M4x6)	
		61 SSBA06006	Hexagon socket set screw (M6x6)	
		62 →25d	Rail base spacer	
		63 →25d	Rail base connecting plate	
		64 HCM24574	Pulse motor bracket (1216-36, 1016-36, 816-36 type)	
		65 SHAB08070	Hexagon head bolt (M8x70)	
		66 WPAD08000	Plain washer (M8)	
		67 WPAA06000	Plain washer (M6)	
		68 WSAA06000	Spring lock washer (M6)	
		69 SCAA06015	Hexagon socket head cap screw (M6x15)	
		70 SCAA04010	Hexagon socket head cap screw (M4x10)	
		71 SCAD03015	Hexagon socket head cap screw (M3x15)	
		72 WPAD08000	Plain washer (M8)	
		73 WSAD08000	Spring lock washer (M8)	
		74 NHAD08000	Hexagon nut (M8)	
		75 SCAA06025	Hexagon socket head cap screw (M6x25)	
		76 SHAD06025	Hexagon head bolt (M6x25)	
		77 WSAD06000	Spring lock washer (M6)	
		78 WPAD06000	Plain washer (M6)	
		79 SCAA08025	Hexagon socket head cap screw (M8x25)	
		80 WSAA08000	Spring lock washer (M8)	
		81 WPAA08000	Plain washer (M8)	
		82 SPDB04008	Pan head screw (cross recessed, M4x8)	
		83 SCAA08055	Hexagon socket head cap screw (M8x55)	
		84 WSAD04000	Spring lock washer (M4)	
		85 WPAD04000	Plain washer (M4)	
		86 NHAD04000	Hexagon nut (M4)	
		87 SCAB04008	Hexagon socket head cap screw (M4x8)	
		88 WPAA05000	Plain washer (M5)	
		89 WSAA05000	Spring lock washer (M5)	
		90 SCAA05022	Hexagon socket head cap screw (M5x22)	
		91 SCAA06020	Hexagon socket head cap screw (M6x20)	

# X CARRIAGE B2

CM9A30s 25d-1



組 指図	部品番号		CM9A30s
Ass'y	El't	PARTS No.	PARTS NAMES
			NOTE / 備考
	1	HCM25120	Rail base spacer A (15mm)
	2	HCM25130	Rail base spacer B (10mm)
	3	HCM25150	Rail base connecting plate B
	4	HCM25140	Rail base connecting plate A
	5	SHAB08070	Hexagon head bolt (M8x70)
	6	WPAD08000	Plain washer (M8)
	7	WPAA06000	Plain washer (M6)
	8	WSAA06000	Spring lock washer (M6)
	9	SCAA06015	Hexagon socket head cap screw (M6x15)
	10	WPAA05000	Plain washer (M5)
	11	WSAA05000	Spring lock washer (M5)
	12	SCAA05022	Hexagon socket head cap screw (M5x22)
	13	WPAD08000	Plain washer (M8)
	14	WSAD08000	Spring lock washer (M8)
	15	NHAD08000	Hexagon nut (M8)
	16	SCAA06035	Hexagon socket head cap screw (M6x35)
	17	SCAA06020	Hexagon socket head cap screw (M6x20)
	18	SHAA06020	Hexagon head bolt (M6x20)
	19	SPDB04008	Pan head screw (cross recessed, M4x8)
	20	SHAD06025	Hexagon head bolt (M6x25)
	21	WSAD06000	Spring lock washer (M6)
	22	WPAD06000	Plain washer (M6)
	23	SSAA06006	Hexagon socket set screw (M6x6)
	24	SSBA06006	Hexagon socket set screw (M6x6)

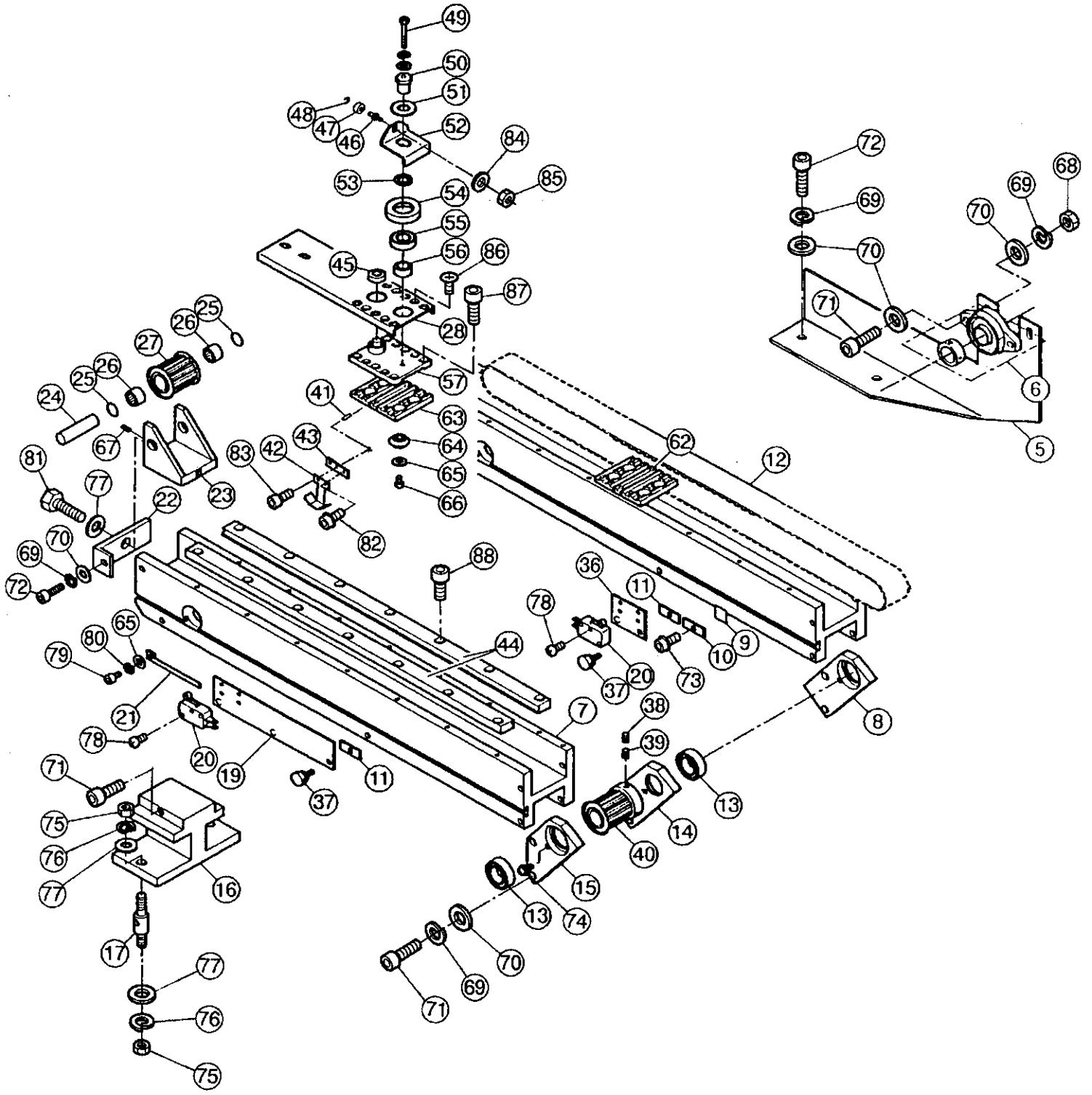


	指図 / EIt PARTS NAMES	4	5	10	19
		X carriage drive shaft	X timing belt	X rail base	X base plate
機種 MODEL	1 2 1 2 X - 4 8	HCM25040	MPV00510	HCM25270	HCM25030
	1 0 1 2 - 4 8	HCM25040	MPV00510	HCM25010	HCM25030
	8 1 2 - 4 8	HCM25040	MPV00510	HCM25010	HCM25030
	8 0 6 - 4 8	HCM24920	MPV00050	HCM24880	HCM25030
	8 0 4 - 4 8	HCM24920	MPV00050	HCM24880	HCM25030
	7 2 0 - 3 0	HCM25200	MPV00500	HCM25170	HCM24190
	7 2 0 N - 3 0	HCM25200	MPV00500	HCM25170	HCM24440
	1 2 1 2 - 3 0	HMF24220	MPV00390	HCM24900	HCM24190
	1 2 1 2 N - 3 0	HMF24220	MPV00390	HCM24900	HCM24440
	1 0 1 2 - 3 0	HMF24220	MPV00390	HCM24900	HCM24190
	1 0 1 2 N - 3 0	HMF24220	MPV00390	HCM24900	HCM24440
	8 1 2 - 3 0	HMF24220	MPV00390	HCM24900	HCM24190
	8 1 2 N - 3 0	HMF24220	MPV00390	HCM24900	HCM24440
	1 2 1 6 - 3 6	HCM24781	MPV00500	HCM25220	HCM24790
	1 0 1 6 - 3 6	HCM24781	MPV00500	HCM25220	HCM24790
	8 1 6 - 3 6	HCM24781	MPV00500	HCM25220	HCM24790
	1 2 1 2 - 3 6	HMF24220	MPV00390	HCM24900	HCM24190
	1 0 1 2 - 3 6	HMF24220	MPV00390	HCM24900	HCM24190
	8 1 2 - 3 6	HMF24220	MPV00390	HCM24900	HCM24190
	1 0 0 6 - 3 6	HMF24220	MPV00310	HCM24890	HCM24190
8 0 6 - 3 6	HMF24220	MPV00310	HCM24890	HCM24190	

	指図 / EIt PARTS NAMES	44	44	51
		Cam follower base for standard hook	Cam follower base for jumbo hook	X rail with V groove
機種 MODEL	1 2 1 2 X - 4 8	HCM25211	-	HMF24840
	1 0 1 2 - 4 8	HCM25211	HCM25021	HMF24840
	8 1 2 - 4 8	HCM25211	HCM25021	HMF24840
	8 0 6 - 4 8	-	HCM24801	HMF24850
	8 0 4 - 4 8	HCM24941	HCM24801	HMF24850
	7 2 0 - 3 0	HCM25181	-	HMF24790
	7 2 0 N - 3 0	HCM25181	-	HMF24790
	1 2 1 2 - 3 0	HCM24223	-	HMF24810
	1 2 1 2 N - 3 0	HCM24223	-	HMF24810
	1 0 1 2 - 3 0	HCM24223	-	HMF24810
	1 0 1 2 N - 3 0	HCM24223	-	HMF24810
	8 1 2 - 3 0	HCM24223	-	HMF24810
	8 1 2 N - 3 0	HCM24223	-	HMF24810
	1 2 1 6 - 3 6	HCM24762	-	HMF24810
	1 0 1 6 - 3 6	HCM24762	-	HMF24810
	8 1 6 - 3 6	HCM24762	-	HMF24810
	1 2 1 2 - 3 6	HCM24223	-	HMF24810
	1 0 1 2 - 3 6	HCM24223	-	HMF24810
	8 1 2 - 3 6	HCM24223	-	HMF24810
	1 0 0 6 - 3 6	HCM24223	-	HMF24830
8 0 6 - 3 6	HCM24223	-	HMF24830	

# Y CARRIAGE 1

CM9A30s 27a-1



組 Ass'y	指図 El't	部品番号 PARTS No.	PARTS NAMES	CM9720 NOTE / 備考
	5	HCM24340	Shaft intermediate support (for 1212X-48, 1012-48, 812-48 type)	
	5	HCM24520	Shaft intermediate support (for 1216-36, 1016-36, 816-36 type)	
	6	MPB00290	Flange type bearing unit	
	7	HCM24810	Rail base (for Y480 type)	
	7	HCM24830	Rail base (for Y300 type)	
	7	HCM24870	Rail base (for 720, 720N type)	
	7	HCM24850	Rail base (for Y360 type)	
	8	HMF24060	Drive shaft support B	
	9	HCM51050	Embroidery range sticker (for border frame)	
	9	HCM51040	Embroidery range sticker (for cap frame wide type)	
	9	HCM51030	Embroidery range sticker (for cap frame standard type)	
	10	M0424210	Fixing nut (for Y480 type)	
	10	C0424230	Fixing nut (for Y300, Y360 type)	
	11	M0424210	Fixing nut	
	12	MPV00310	Y timing belt (for Y480 type)	
	12	MPV00380	Y timing belt (for Y300 type)	
	12	MPV00280	Y timing belt (for Y360 type)	
	13	MPB00270	Bearing (6903ZZ)	
	14	HMF24050	Drive shaft support A	
	15	HMF24070	Drive shaft support C	
	16	HMF24010	Supporting base A	
	17	HMF24451	Y supporting base pillar	
	19	C0424070	Limit switch plate (for Y480 type)	
	19	M0424231	Limit switch plate 2 (for Y300, Y360 type)	
	20	EPS00010	Micro switch	
	21	C0424150	Plate nut	
	22	M0424202	Tension bracket	
	23	C0424060	Idler pulley support	
	24	M0424180	Idler shaft	
	25	M0424160	Spacer	
	26	MPB00280	Needle bearing (HK1210)	
	27	M0424172	Idler pulley	
	28	HCM24080	Slide base, rear	
	36	M0424221	Limit switch plate	
	37	MPZ00990	Thumb knob	
	38	SSBA06006	Hexagon socket set screw (M6x6)	
	39	SSAA06006	Hexagon socket set screw (M6x6)	
	40	M0424141	Drive pulley	
	41	MPZ01610	Roll bushing spacer	
	42	M0424050	Limit switch dog	
	43	C0424080	Bracket for limit switch dog (for Y480 type)	
	43	HCM24260	Bracket for limit switch dog (for Y300, Y360 type)	
	44	HMF24830	Rail with V groove, rear (for Y480 type)	
	44	HMF24790	Rail with V groove, rear (for Y300 type)	
	44	HMF24800	Rail with V groove, rear (for Y360 type)	
	45	MPB00250	Bearing (L-1680ZZ)	
	46	M0425151	Small roller shaft	
	47	M0425160	Small roller	
	48	MPR00230	E-ring	

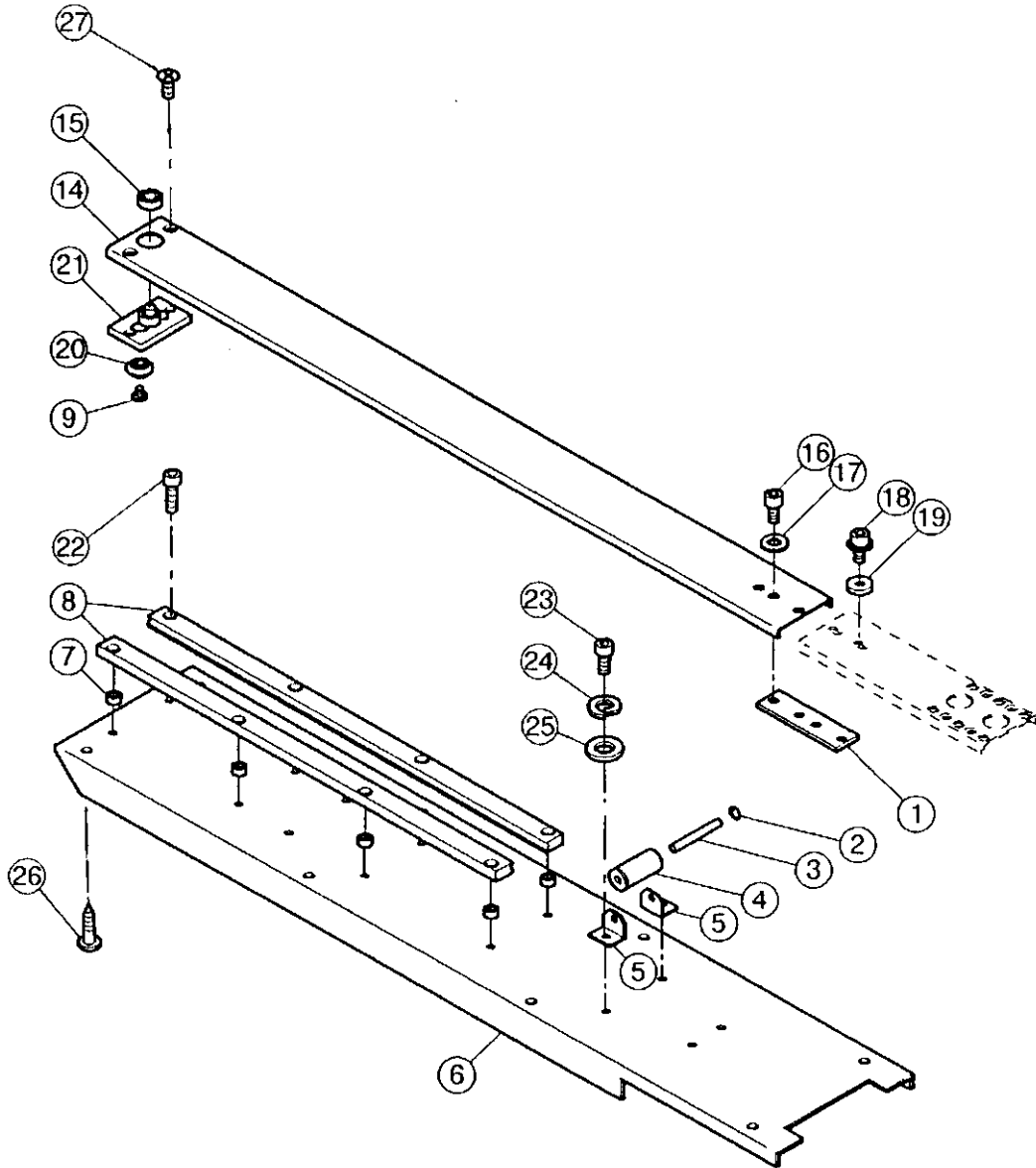




# Y CARRIAGE 1

27a-2

組 Ass'y	指図 El't	部品番号 PARTS No.	PARTS NAMES	CM1001s NOTE / 備考
	49	SCAD04030	Hexagon socket head cap screw (M4x30)	
	50	M0426082	Roller support B (eccentric)	
	51	WPAD10000	Plain washer (M10)	
	52	HMF24181	Roller support fixture	
	53	HMF24200	Spacer	
	54	HMF24210	Bearing roller	
	55	MPB00560	Bearing (6900ZZ)	
	56	HMF24191	Collar	
	57	HMF24132	Fixing plate ass'y for belt	
	57	HMF24432	Fixing plate ass'y for belt (for jumbo hook)	
	62	HMF24942	Holding plate H ass'y	
	63	HMF24922	Holding plate G ass'y	
	64	HMF24570	Roller bearing	
	65	WPAA04000	Plain washer (M4)	
	66	SCAA04006	Hexagon socket head cap screw (M4x6)	
	67	SSAA03006	Hexagon socket set screw (M3x6)	
	68	NHAA06000	Hexagon nut (M6)	
	69	WSAA06000	Spring lock washer (M6)	
	70	WPAA06000	Plain washer (M6)	
	71	SCAA06020	Hexagon socket head cap screw (M6x20)	
	72	SCAA06015	Hexagon socket head cap screw (M6x15)	
	73	SCBA04006	Hexagon socket head cap screw with flange (M4x6)	
	74	SPDB04008	Pan head screw (cross recessed, M4x8)	
	75	NHAD08000	Hexagon nut (M8)	
	76	WSAD08000	Spring lock washer (M8)	
	77	WPAD08000	Plain washer (M8)	
	78	SPAD03012	Pan head screw (cross recessed, M3x12)	
	79	SCAA04006	Hexagon socket head cap screw (M4x6)	
	80	WSAA04000	Spring lock washer (M4)	
	81	SHAB08070	Hexagon head bolt (M8x70)	
	82	SCBB03006	Hexagon socket head cap screw with flange (M3x6)	
	83	SCAA03015	Hexagon socket head cap screw (M3x15)	
	84	WPAD04000	Plain washer (M4)	
	85	NHAD04000	Hexagon nut (M4)	
	86	SGAB04008	Flat head screw (M4x8)	
	87	SCAA04008	Hexagon socket head cap screw (M4x8)	
	88	SCAA04010	Hexagon socket head cap screw (M4x10)	



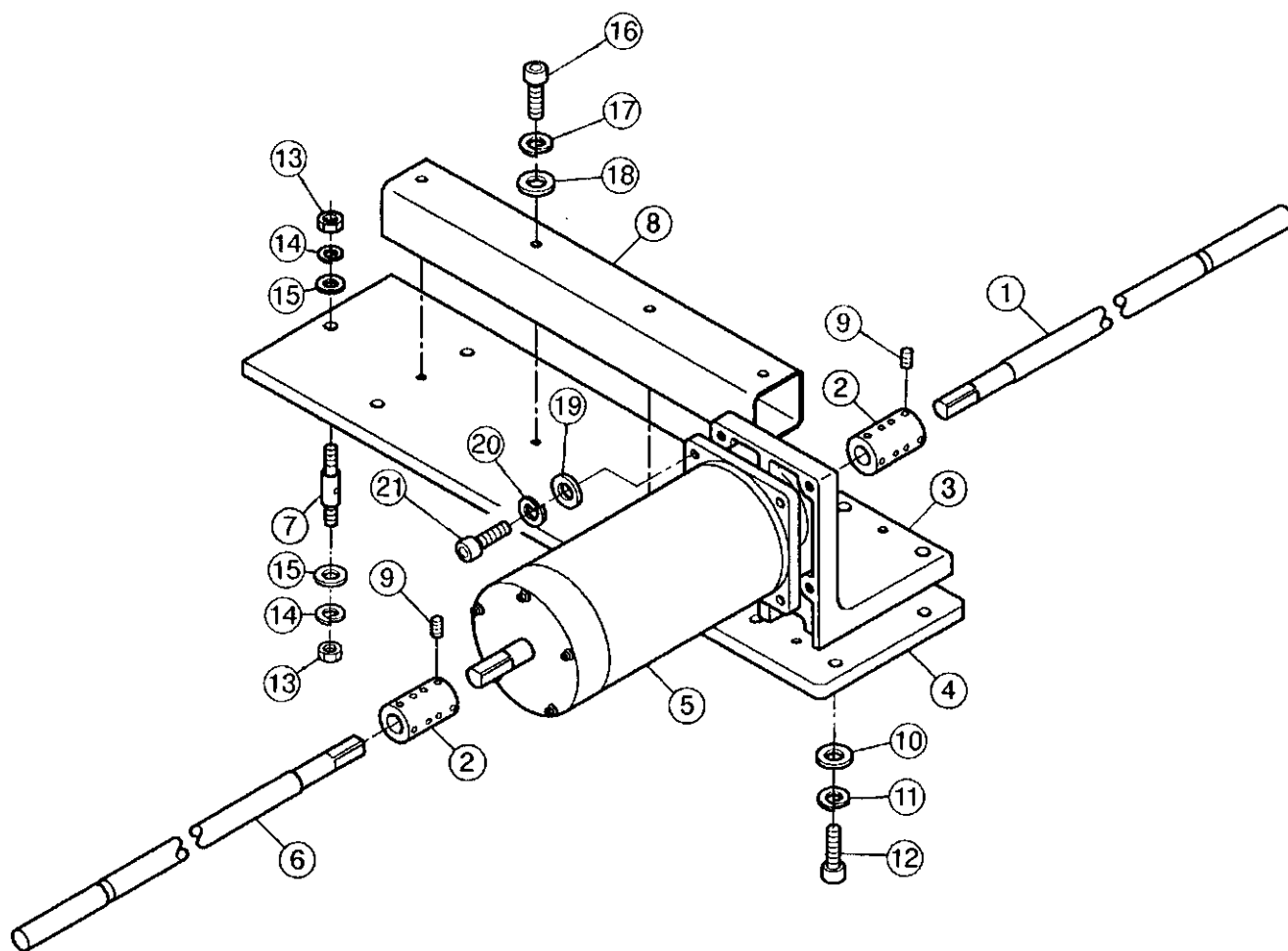
# Y CARRIAGE 2

27b-1

組 Ass'y	指図 El't	部品番号 PARTS No.	PARTS NAMES	CM1001s NOTE / 備考
	1	C0424101	Joint plate	
	2	MPR00100	SE-ring (SE-5)	
	3	M0424382	Center roller shaft	
	4	M0424390	Center roller	
	5	HCM24090	Center roller support	
	6	HCM24820	Rail bracket (for Y480 type)	
	6	HCM24840	Rail bracket (for Y300 type)	
	6	HCM24860	Rail bracket (for Y360 type)	
	7	HCM24470	Rail spacer	
	8	HMF24820	Rail with V groove, front (for Y480 type)	
	8	HMF24790	Rail with V groove, front (for Y300, Y360 type)	
	9	SF524160	Idler screw	
	14	HCM24072	Slide base, front (for Y480 type)	
	14	HCM24251	Slide base, front (for Y300 type)	
	14	HCM24411	Slide base, front (for Y360 type)	
	15	MPB00250	Bearing (L-1680ZZ)	
	16	SCAD05008	Hexagon socket head cap screw (M5x8)	
	17	WPAD05000	Plain washer (M5)	
	18	SCBD05010	Hexagon socket head cap screw with flange (M5x10)	
	19	C0424190	Plastic washer	
	20	HMF24570	Roller bearing	
	21	HMF24581	Roller supporting idler ass'y	
	22	SCAA04012	Hexagon socket head cap screw (M4x12)	
	23	SCAA04010	Hexagon socket head cap screw (M4x10)	
	24	WSAA04000	Spring lock washer (M4)	
	25	WPAA04000	Plain washer (M4)	
	26	SKAB5A020	Round head wood screw (cross recessed head, 5.1x20)	
	27	SGAB04008	Flat head screw (M4x8)	

# Y CARRIAGE DRIVE SHAFT A

MF9A30s 28a-1



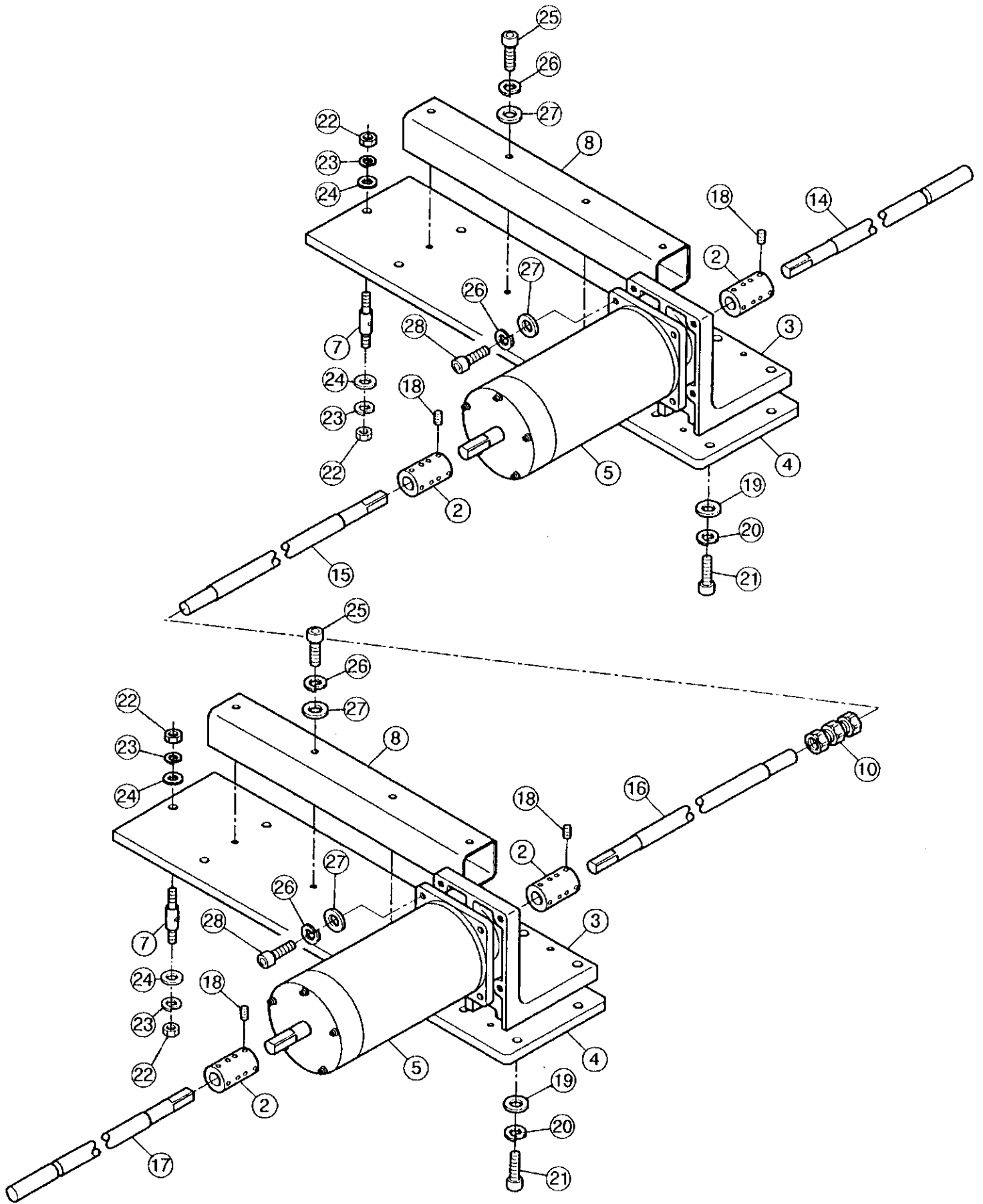
# Y CARRIAGE DRIVE SHAFT A

28a-1

組 Ass'y	指図 Elt	部品番号 PARTS No.	PARTS NAMES	CM1001s NOTE / 備考
	1	→29b	Y carriage drive shaft 2 (by model)	
	2	M0424093	Coupling A	
	3	M0424274	Pulse motor bracket	
	3	HMF24502	Pulse motor bracket (for 720, 720N type)	
	4	HCM24102	bracket base (for Y480 type)	
	4	HCM24272	bracket base (for Y300 type)	
	4	HCM24432	bracket base (for Y360 type)	
	5	EPM00080	Pulse motor	
	5	EPM00330	Pulse motor (for 804 type)	
	5	HMF75011	Pulse motor (for 720, 720N type)	
	6	→29b	Y carriage drive shaft 1 (by model)	
	7	HMF24471	Pulse motor base pillar	
	8	HCM24110	Reinforcement pipe (for Y480 type)	
	9	SSAD05010	Hexagon socket set screw (M5x10)	
	10	WPAA08000	Plain washer (M8)	
	11	WSAA08000	Spring lock washer (M8)	
	12	SCAA08035	Hexagon socket head cap screw (M8x35)	
	13	NHAD08000	Hexagon nut (M8)	
	14	WSAD08000	Spring lock washer (M8)	
	15	WPAD08000	Plain washer (M8)	
	16	SCAA06065	Hexagon socket head cap screw (M6x65)	
	17	WSAA06000	Spring lock washer (M6)	
	18	WPAA06000	Plain washer (M6)	
	19	WPAA06000	Plain washer (M6)	
	20	WSAA06000	Spring lock washer (M6)	
	21	SCAA06020	Hexagon socket head cap screw (M6x20)	

# Y CARRIAGE DRIVE SHAFT C

MF9A30s 28c-1



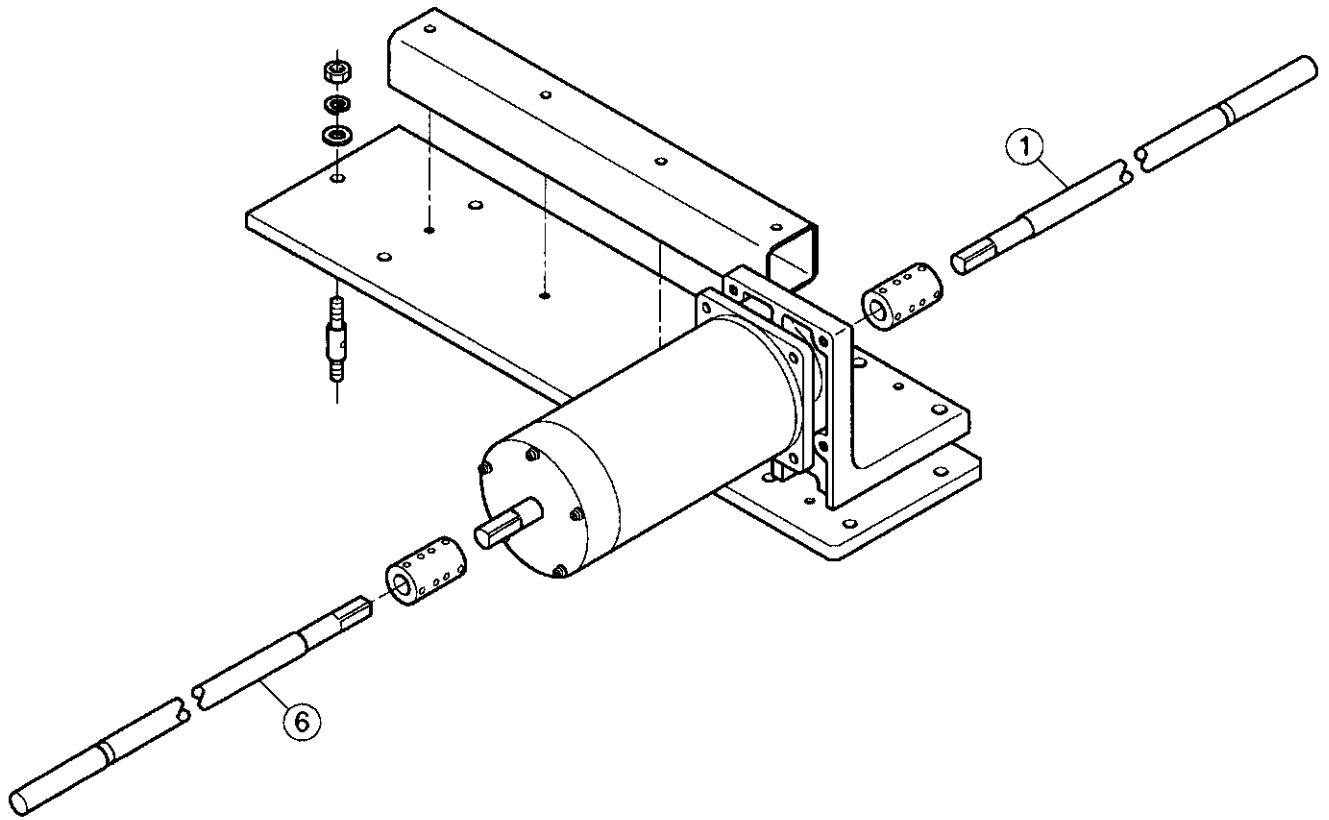
# Y CARRIAGE DRIVE SHAFT C

28c-1

組 Ass'y	指図 Elt	部品番号 PARTS No.	PARTS NAMES	CM1001s NOTE / 備考
	2	M0424093	Coupling A	
	3	M0424274	Pulse motor bracket	
	4	HCM24102	bracket base (for Y480 type)	
	4	HCM24432	bracket base (for Y360 type)	
	5	EPM00080	Pulse motor	
	7	HMF24471	Pulse motor base pillar	
	8	HCM24110	Reinforcement pipe (for Y480 type)	
	10	MPC00040	N-coupling N17-17 (for 1012-48, 812-48 type)	
	10	MPC00010	N-coupling N15-15 (for 1212X-48, 1216-36, 1016-36, 816-36 type)	
	14	→29d	Y carriage drive shaft 4 (by model)	
	15	→29d	Y carriage drive shaft 3 (by model)	
	16	→29d	Y carriage drive shaft 2 (by model)	
	17	→29d	Y carriage drive shaft 1 (by model)	
	18	SSAD05010	Hexagon socket set screw (M5x10)	
	19	WPAA08000	Plain washer (M8)	
	20	WSAA08000	Spring lock washer (M8)	
	21	SCAA08035	Hexagon socket head cap screw (M8x35)	
	22	NHAD08000	Hexagon nut (M8)	
	23	WSAD08000	Spring lock washer (M8)	
	24	WPAD08000	Plain washer (M8)	
	25	SCAA06065	Hexagon socket head cap screw (M6x65)	
	26	WSAA06000	Spring lock washer (M6)	
	27	WPAA06000	Plain washer (M6)	
	28	SCAA06020	Hexagon socket head cap screw (M6x20)	

# Y CARRIAGE DRIVE SHAFT A

MF8B11 29a-1





# Y CARRIAGE DRIVE SHAFT A

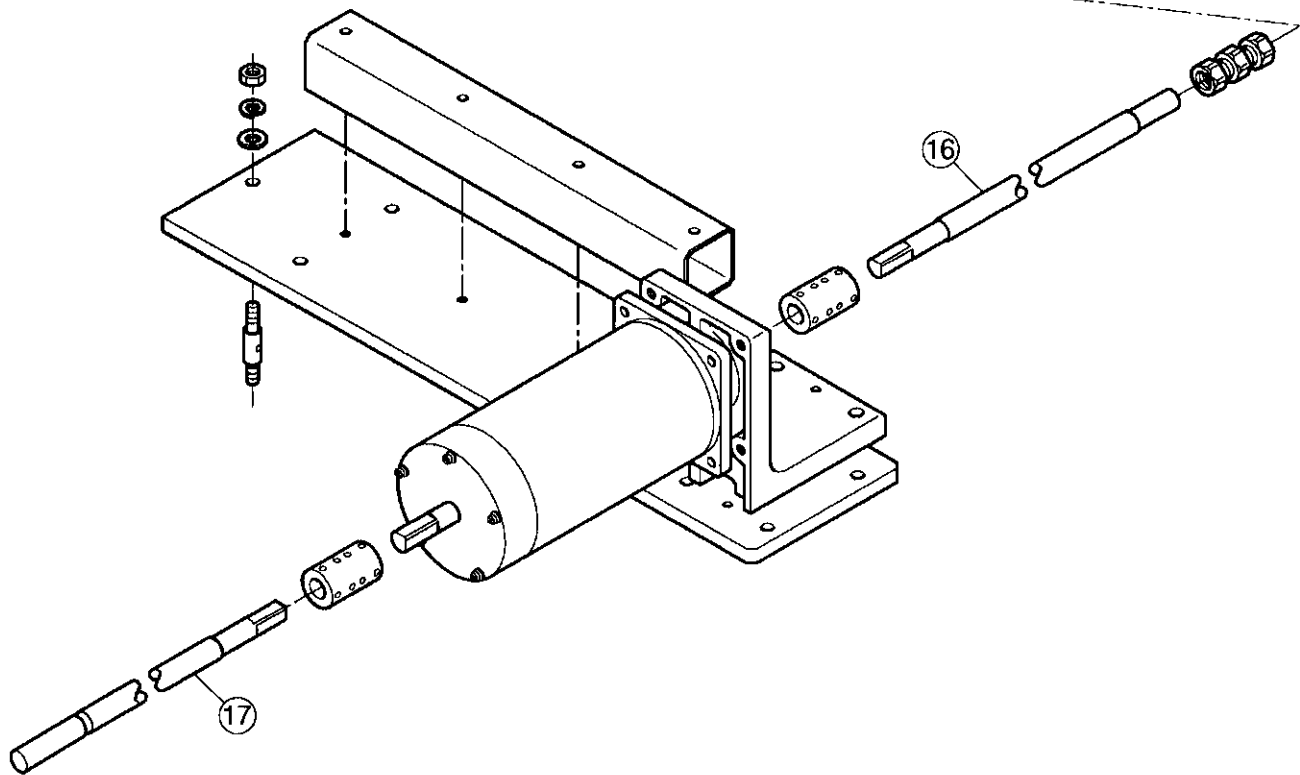
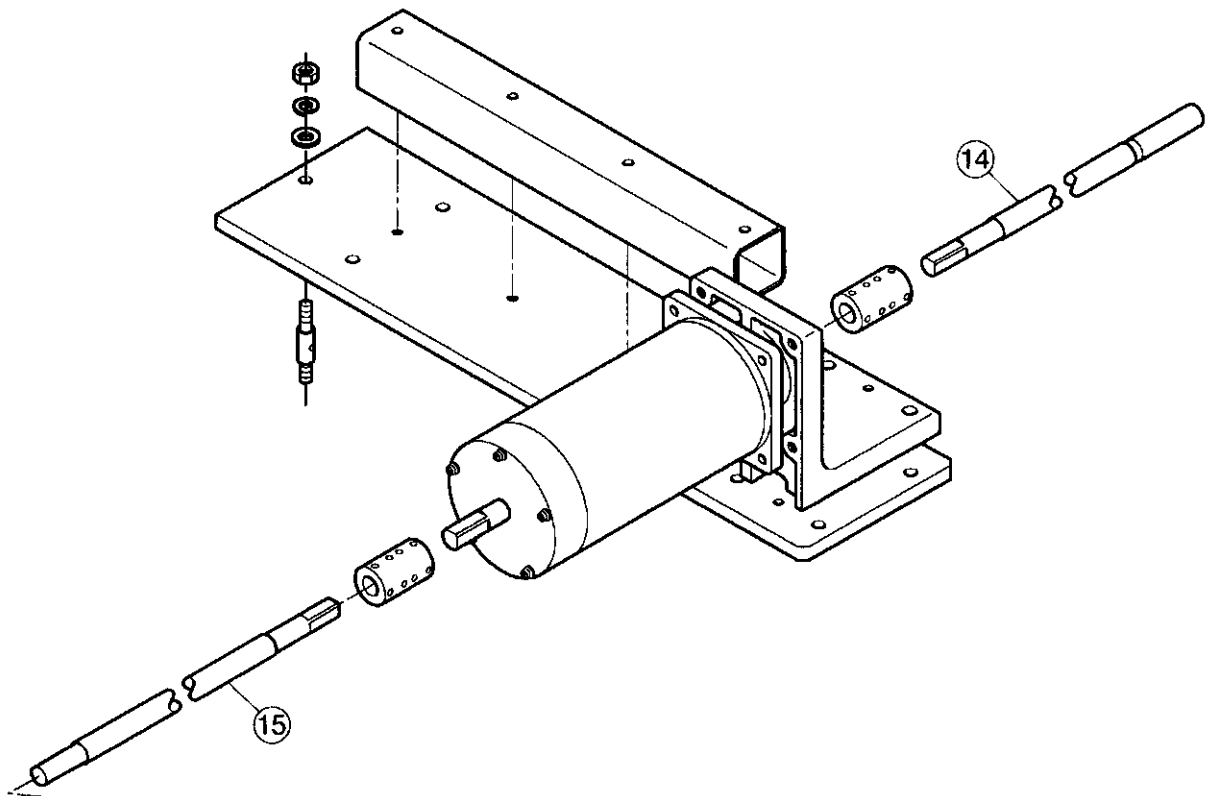
29a-1

CM9219

指図 / EIt PARTS NAMES		1 Y carriage drive shaft 2	6 Y carriage drive shaft 1		
機種 MODEL	806-48	HCM24180	HCM24171		
	804-48	HCM24140	HCM24130		
	720-30	HCM24460	HCM24450		
	720N-30	HCM24460	HCM24450		
	1212-30	HCM24290	HCM24280		
	1212N-30	HCM24290	HCM24280		
	1012-30	HCM24290	HCM24280		
	1012N-30	HCM24290	HCM24280		
	812-30	HCM24290	HCM24280		
	812N-30	HCM24290	HCM24280		
	1212-36	HCM24290	HCM24280		
	1012-36	HCM24290	HCM24280		
	812-36	HCM24290	HCM24280		
	1006-36	HCM24420	HCM24420		
	806-36	HCM24420	HCM24420		

# Y CARRIAGE DRIVE SHAFT C

MF8B11 29c-1

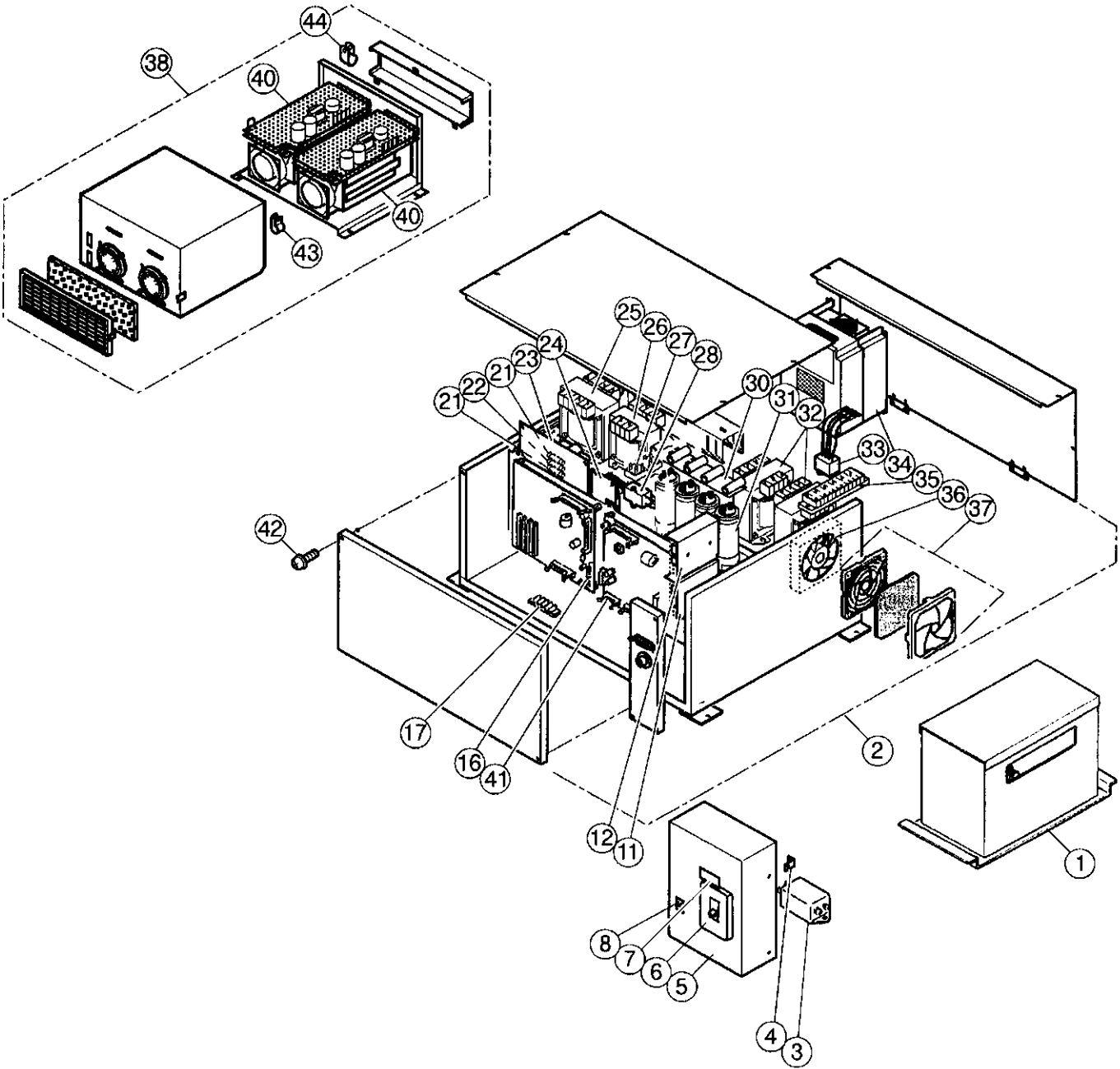


# Y CARRIAGE DRIVE SHAFT C

29c-1

CM9720

指図 / El't PARTS NAMES		14 Y carriage drive shaft 4	15 Y carriage drive shaft 3	16 Y carriage drive shaft 2	17 Y carriage drive shaft 1
機種 MODEL	1 2 1 2 X - 4 8	HCM25260	HCM25250	HCM25240	HCM25230
	1 0 1 2 - 4 8	HCM24370	HCM24350	HCM24361	HCM24350
	8 1 2 - 4 8	HCM24370	HCM24350	HCM24361	HCM24350
	1 2 1 6 - 3 6	HCM24560	HCM24550	HCM24530	HCM24540
	1 0 1 6 - 3 6	HCM24560	HCM24550	HCM24530	HCM24540
	8 1 6 - 3 6	HCM24560	HCM24550	HCM24530	HCM24540



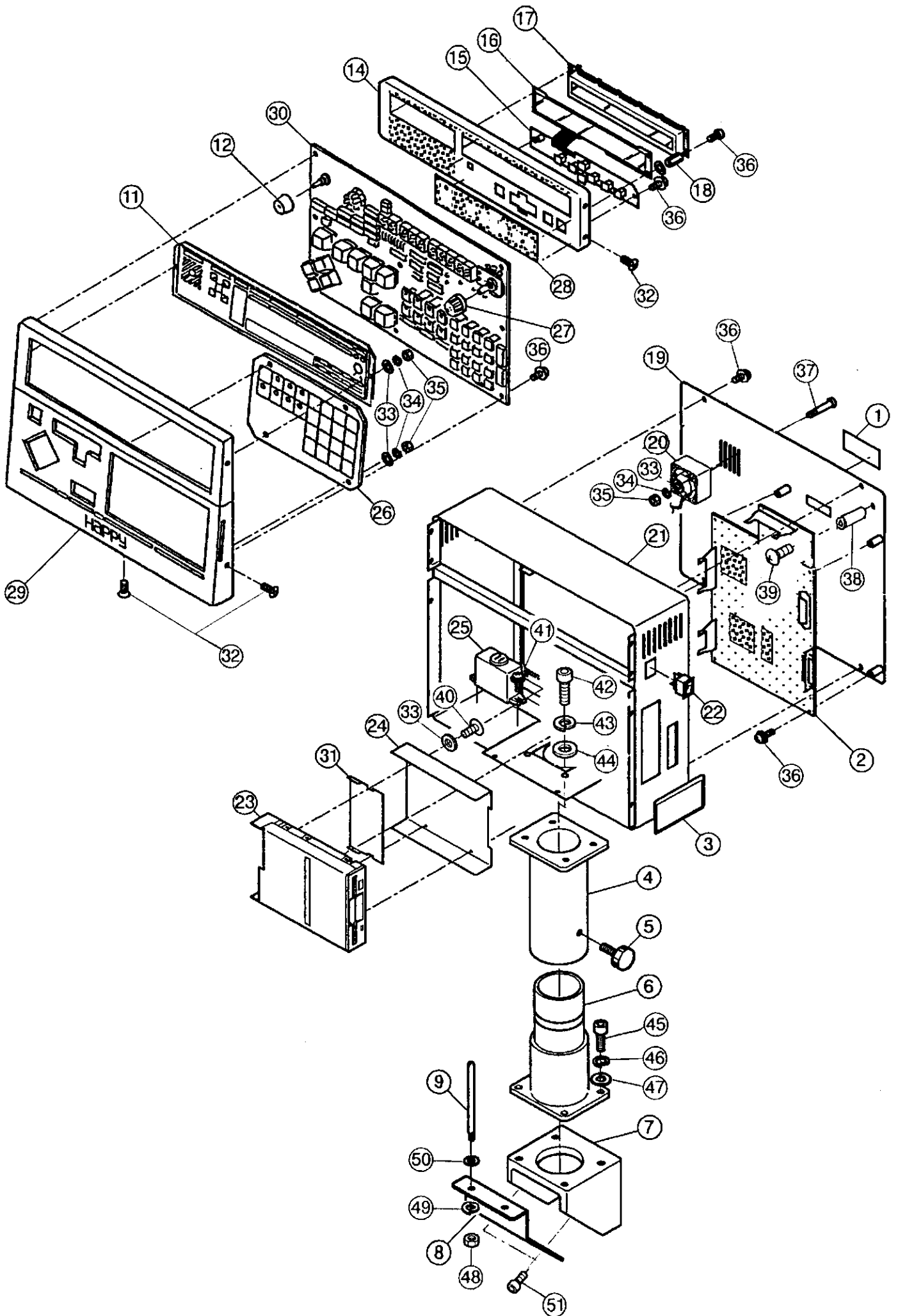
# EACH UNIT

30a-1

組 Ass'y	指図 E'l't	部品番号 PARTS No.	PARTS NAMES	MF2501 NOTE / 備考
	1	M0427360	Transformer ass'y	
	2	HMF27019	Main unit box ass'y	
	3	EPK00070	Noise filter	
	4	HMF10281	Cover bracket B	
	5	HMF27102	Breaker bracket	
	6	M0475172	Automatic breaker (3 phase)	
	6	M0475182	Automatic breaker (1 phase)	
	7	-	Power supply sticker	
	8	SF427120	Outlet (with frame)	
	11	EPK00760	Switching power supply (24V)	
	12	EPK00770	Switching power supply (5V)	
	16	M0483019	Master circuit board ass'y	
	17	EPF00080	Terminal base	
	20	MPZ00990	Thumb knob	
	21	EPF00350	Fuse (5A)	
	22	EPF00370	Fuse (10A)	
	23	HMF83634	Power supply board ass'y	
	24	HMF83641	Thread catch circuit board ass'y	
	25	EPK00790	Transformer	
	26	EPK00800	Transformer	
	27	EPD00130	Bridge diode	
	28	EPK00600	Noise filter	
	30	M0483230	Condenser connecting board ass'y	
	30	SF583030	Condenser connecting board ass'y (for HCM-806, 804type)	
	31	EPC00640	Electrolytic condenser	
	32	EPK00570	Transformer	
	33	EPC00940	Surge protector	
	34	EPM00260	Inverter	
	34	EPM00270	Inverter (for 1.5KW motor)	
	35	EPF00061	Terminal base	
	36	EPK00290	Fan	
	37	EPK00300	Filter for fan	
	38	EPM00154	Pulse motor driver ass'y	
	40	EPM00203	Pulse motor driver	
	41	HMF83650	Slave circuit board ass'y	
	42	SPDB04016	Pan head screw (cross recessed, M4x16)	
	43	EPN00070	Clamp (NK-6N)	
	44	EPN00500	Clamp (NK-13N)	

# CONTROL BOX

MF9A30s 31a-1



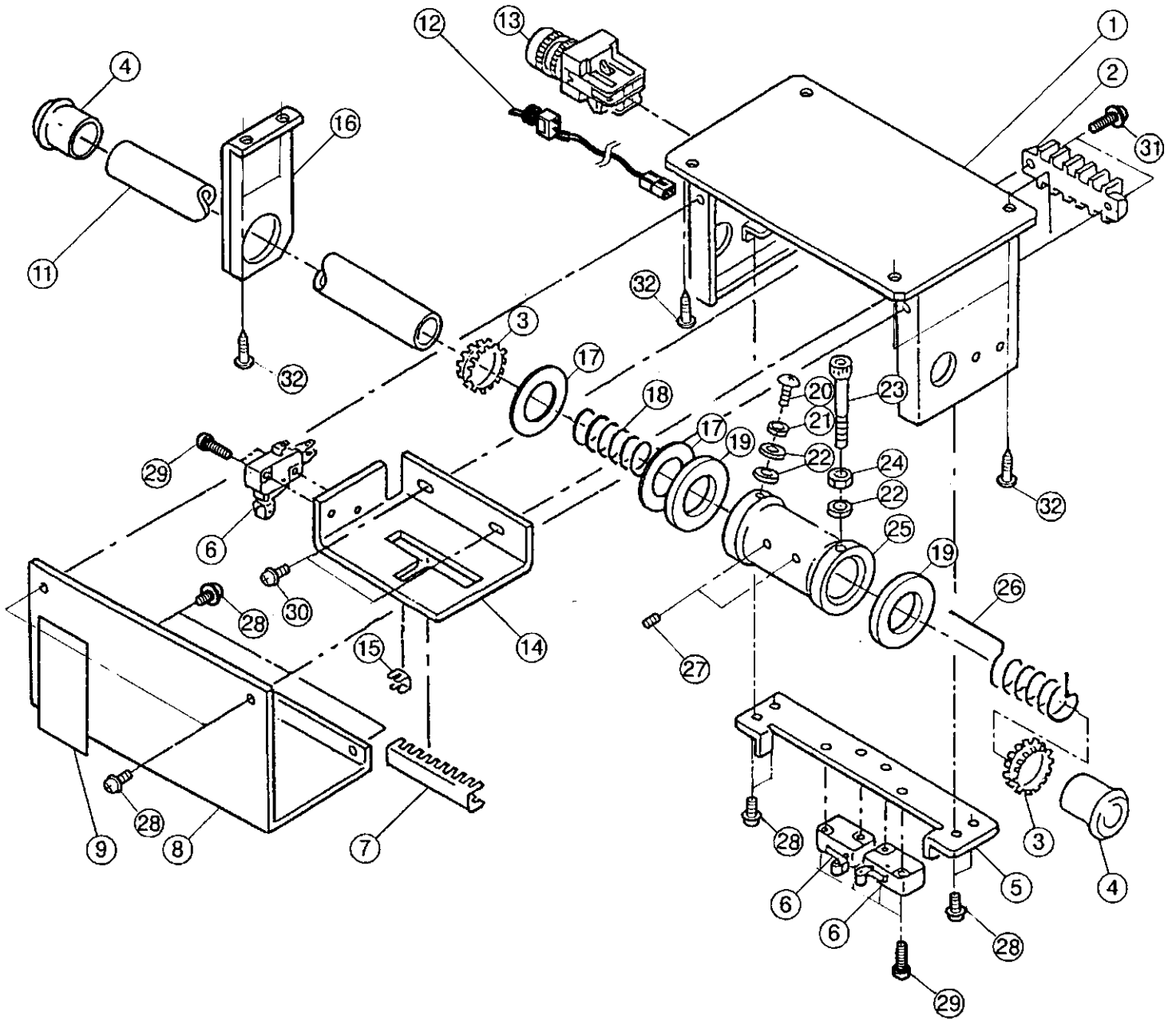
# CONTROL BOX

# 31a-1

組 指図	部品番号			MF2501s
Ass'y	El't	PARTS No.	PARTS NAMES	NOTE / 備考
	1	M0429451	DIP switch setting list for FDD	
	2	M0429336	FDC circuit board ass'y	
	3	HMF51050	DIP switch setting list for control box	
	3	HMF51040	-	
	4	HMF29100	Pillar (A)	
	5	MPZ01620	Thumb screw	
	6	SF529100	Pillar (B)	
	7	HCM29010	Pole support	
	8	HCM29020	Pole support cover	
	9	M0402052	Spool pin	
	11	M0429101	Acrylic panel	
	11	M0429111	-	
	12	EPS00640	Switch top	
	14	HMF29073	Front panel for disk drive	
	15	M0429350	Switch board ass'y for disk drive	
	16	M0429300	Acrylic panel for disk drive	
	17	SF429092	Liquid crystal display	
	18	MPZ01980	Spacer (AS-312)	
	19	M0429274	Rear panel	
	20	M0436341	DC fan unit	
	21	HMF29053	Main body	
	22	EPS00481	Switch	
	23	EPZ00282	Disk drive unit (3mode type)	
	24	M0429360	Insulation plate	
	25	M0429031	Buzzer	
	26	M0429121	Switch sheet (with sub panel)	
	26	M0429131	-	
	27	EPS00350	Volume knob	
	28	M0429310	Switch sheet for disk drive	
	29	-	Front panel	
	29	-	-	
	30	HMF83040	Display circuit board ass'y	
	31	HMF29111	Insulation plate B	
	32	SGAB03006	Flat head screw (M3x6)	
	33	WPAD03000	Plain washer (M3)	
	34	WSAD03000	Spring lock washer (M3)	
	35	NHAD03000	Hexagon nut (M3)	
	36	SPDD03006	Pan head screw (cross recessed, M3x6)	
	37	SPDD03025	Pan head screw (cross recessed, M3x25)	
	38	MPZ00360	Spacer (C-310)	
	39	SPAD03014	Pan head screw (cross recessed, M3x14)	
	40	SPAH03004	Pan head screw (cross recessed, M3x4)	
	41	SPDD03012	Pan head screw (cross recessed, M3x12)	
	42	SCAD05008	Hexagon socket head cap screw (M5x8)	
	43	WSAD05000	Spring lock washer (M5)	
	44	WPAD05000	Plain washer (M5)	
	45	SCAD06015	Hexagon socket head cap screw (M6x15)	
	46	WSAD06000	Spring lock washer (M6)	
	47	WPAD06000	Plain washer (M6)	
	48	NHAD04000	Hexagon nut (M4)	
	49	WSAD04000	Spring lock washer (M4)	
	50	WPAD04000	Plain washer (M4)	
	51	SCBD04006	Hexagon socket head cap screw with flange (M4x6)	

# BAR SWITCH

MF9A30s 32a-1

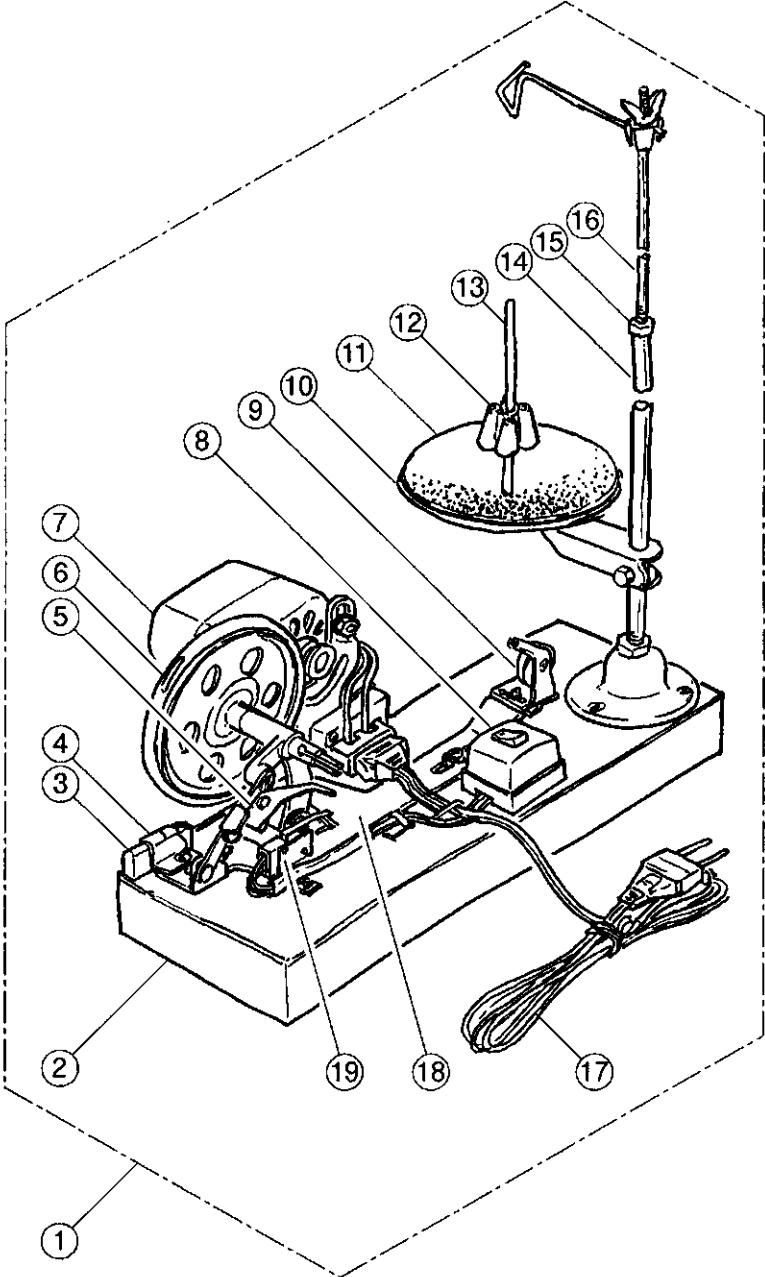




# BAR SWITCH

32a-1

組 Ass'y	指図 El't	部品番号 PARTS No.	PARTS NAMES	MF1001s NOTE / 備考
	1	M0435067	Bar switch box	
	2	EPF00030	Terminal base	
	3	EPN00010	Flexible bush	
	4	-	Bar switch cap	
	5	M0435082	Micro switch bracket	
	6	EPS00010	Micro switch	
	7	EPN00010	Flexible bush	
	8	M0435075	Bar switch box cover	
	9	M0451010	Bar switch sticker	
	11	-	Switch bar (by model)	
	12	M0435150	Brake on/off switch	
	13	EPS00650	Switch	
	14	M0435092	Mode changing switch base	
	15	EPN00010	Flexible bush	
	16	M0435041	Bar switch bracket (for HMF type)	
	17	M0435160	Sheet	
	18	M0435030	Spring (A)	
	19	M0435011	Rubber spacer	
	20	STAB04006	Truss head screw (M4x6)	
	21	WSAB04000	Spring lock washer (M4)	
	22	WPAB04000	Plain washer (M4)	
	23	SCAB04030	Hexagon socket head cap screw (M4x30)	
	24	NHAB04000	Hexagon nut (M4)	
	25	M0435020	Switch dog	
	26	M0435002	Spring (B)	
	27	SSAA05005	Hexagon socket set screw (M5x5)	
	28	SPDD03006	Pan head screw (cross recessed, M3x6)	
	29	SPAB03014	Pan head screw (cross recessed, M3x14)	
	30	SPDC04008	Pan head screw (cross recessed, M4x8)	
	31	SPDD03012	Pan head screw (cross recessed, M3x12)	
	32	SKAB3E016	Round head wood screw (cross recessed head, 3.5x16)	



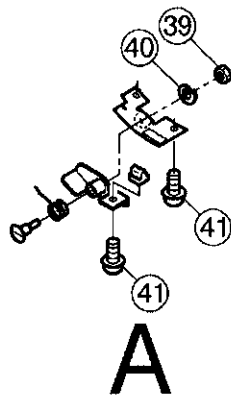
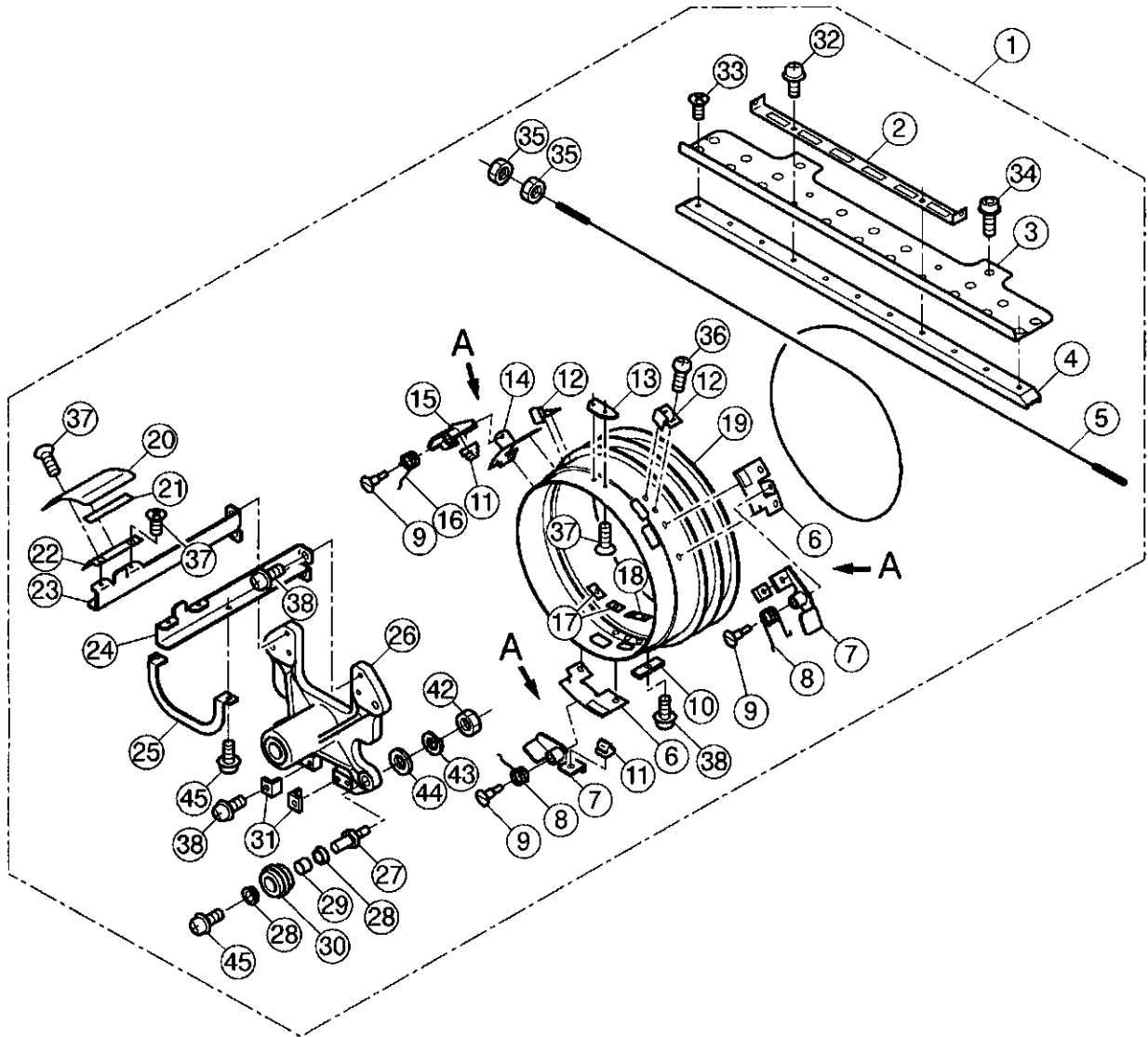
# BOBBIN WINDER

# 33a-1

組	指図	部品番号		MF9827
Ass'y	El't	PARTS No.	PARTS NAMES	NOTE / 備考
	1	EPK00390	Bobbin winder (100V)	
	1	EPK00400	Bobbin winder (220V)	
	2	MPZ01630	Table	
	3	MPZ01740	Brake rubber	
	4	MPZ01750	Brake rubber fixer	
	5	MPZ01730	Hold spring	
	6	MPV00490	Belt (6mm)	
	7	EPM00361	Motor (100V)	
	7	EPM00371	Motor (220V)	
	8	EPS00630	Power switch	
	9	MPZ01770	Thread tension unit	
	10	MPZ01710	Spool disc	
	11	MPZ01700	Spool mat	
	12	MPZ01690	Spool spring	
	13	MPZ01680	Spool pin	
	14	MPZ01650	Main pillar	
	15	MPZ01670	Nut	
	16	MPZ01660	Assist pillar	
	17	EPE00040	Motor cable	
	18	MPZ01760	Base	
	19	EPS00620	Stop switch	

# CAP FRAME (DRIVE FRAME)

CGB8A18 35a-1



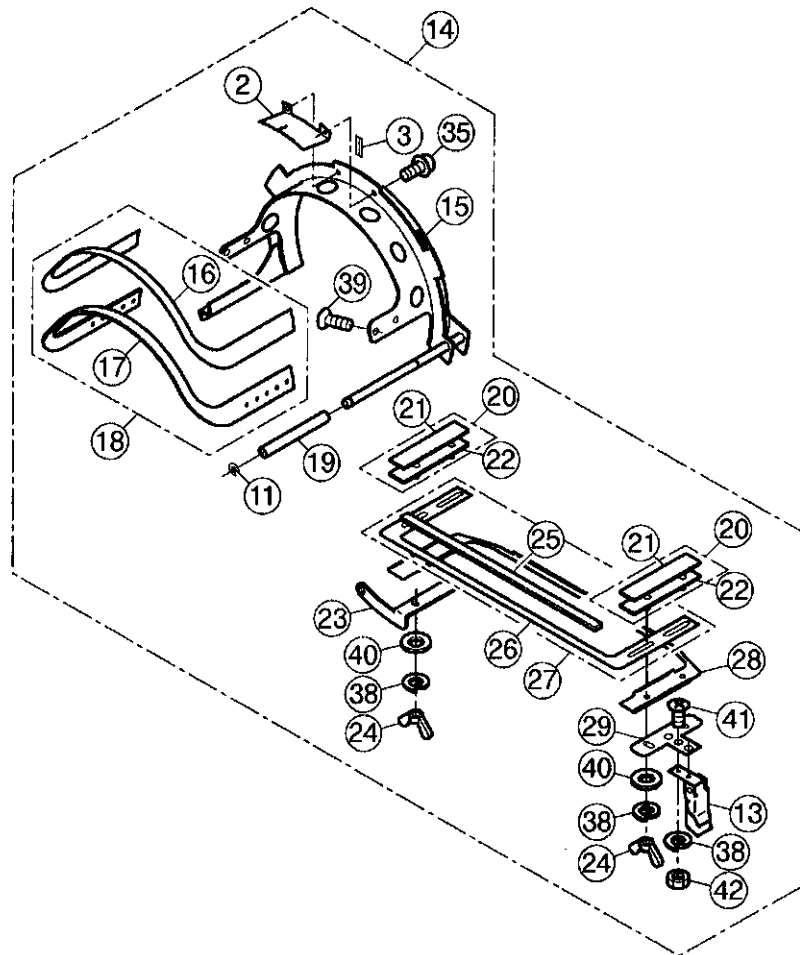
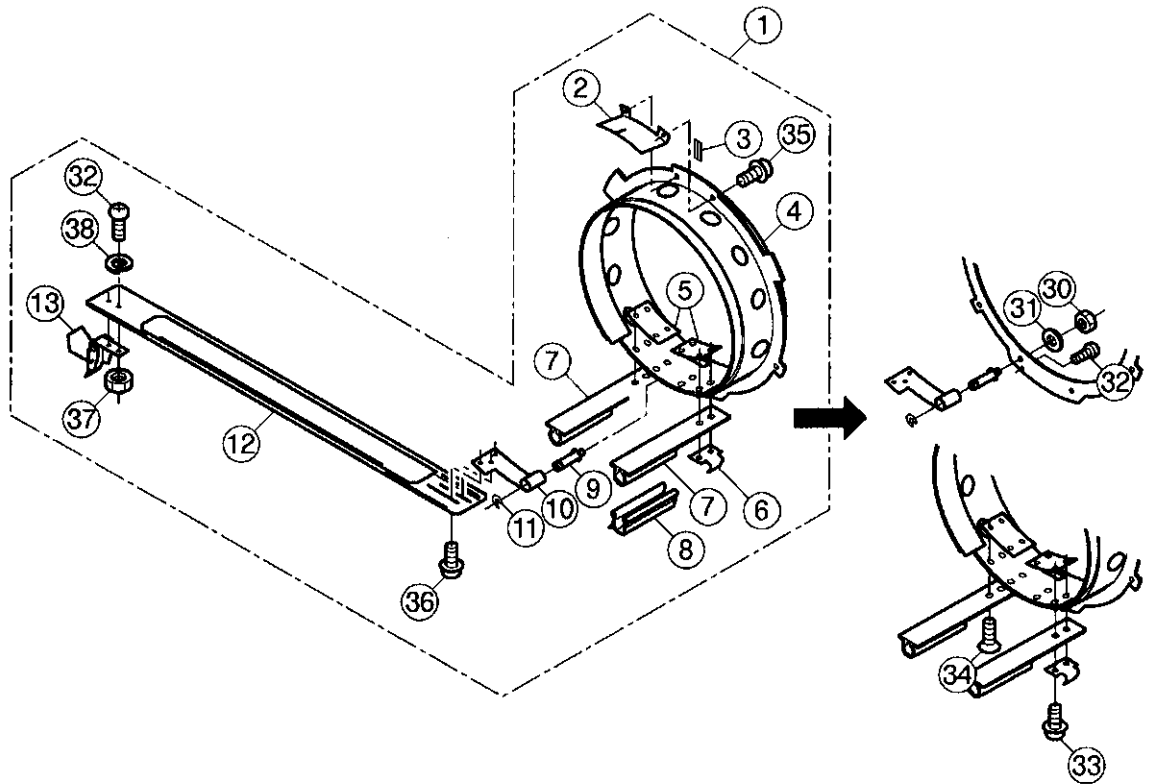
# CAP FRAME (DRIVE FRAME)

# 35a-1

組 Ass'y	指図 El't	部品番号 PARTS No.	PARTS NAMES	CGB8A18 NOTE / 備考
	1	FRA43501	Drive frame ass'y A (red)	
	1	FRA43881	Drive frame ass'y B (blue)	
	2	FRA43790	Wire fixing plate	
	3	FRA43830	Rail bracket	
	4	FRA43820	Rail	
	5	FRA43780	Wire	
	6	FRA43590	Lever bracket (right)	
	7	FRA43560	Hold lever ass'y (right)	
	8	FRA43620	Torsion coil spring (right)	
	9	FRA43610	Support pin	
	10	FRA43800	Wire keeper	
	11	FRA43601	Lock pin	
	12	FRA43550	Spring	
	13	FRA43540	Center guide	
	14	FRA43650	Lever bracket (left)	
	15	FRA43630	Hold lever ass'y (left)	
	16	FRA43660	Torsion coil spring (left)	
	17	FRA43670	Plate nut (M4)	
	18	FRA43680	Plate nut (M3)	
	19	FRA43841	rotary cylinder	
	20	FRA43700	Guide	
	21	FRA43740	Protect sheet	
	22	FRA43730	Guide bracket	
	23	FRA43721	Guide support (left)	
	24	FRA43711	Guide support (right)	
	25	FRA43690	Reinforcement plate	
	26	FRA43971	Base ass'y	
	27	FRA43530	Guide roller pin	
	28	FRA43520	Bearing	
	29	FRA43750	Guide roller spacer	
	30	FRA43510	Guide roller	
	31	FRA43810	Stopper	
	32	SPDD04012	Pan head screw (cross recessed, M4x12)	
	33	SGAD04008	Flat head screw (cross recessed head, M4x8)	
	34	SCAD04008	Hexagon socket head cap screw (M4x8)	
	35	NHAD03000	Hexagon nut (M3)	
	36	SPAD03005	Pan head screw (cross recessed, M3x5)	
	37	SGAD03004	Flat head screw (cross recessed head, M3x4)	
	38	SPDD04010	Pan head screw (cross recessed, M4x10)	
	39	NHCD04000	Hexagon nut (M4)	
	40	WSAD04000	Spring lock washer (M4)	
	41	SPDD04008	Pan head screw (cross recessed, M4x8)	
	42	NHAD05000	Hexagon nut (M5)	
	43	WSAD05000	Spring lock washer (M5)	
	44	WPAD05000	Plain washer (M5)	
	45	SPDD04006	Pan head screw (cross recessed, M4x6)	

# CAP FRAME (HOLD FRAME)

CGB8A18 35b-1



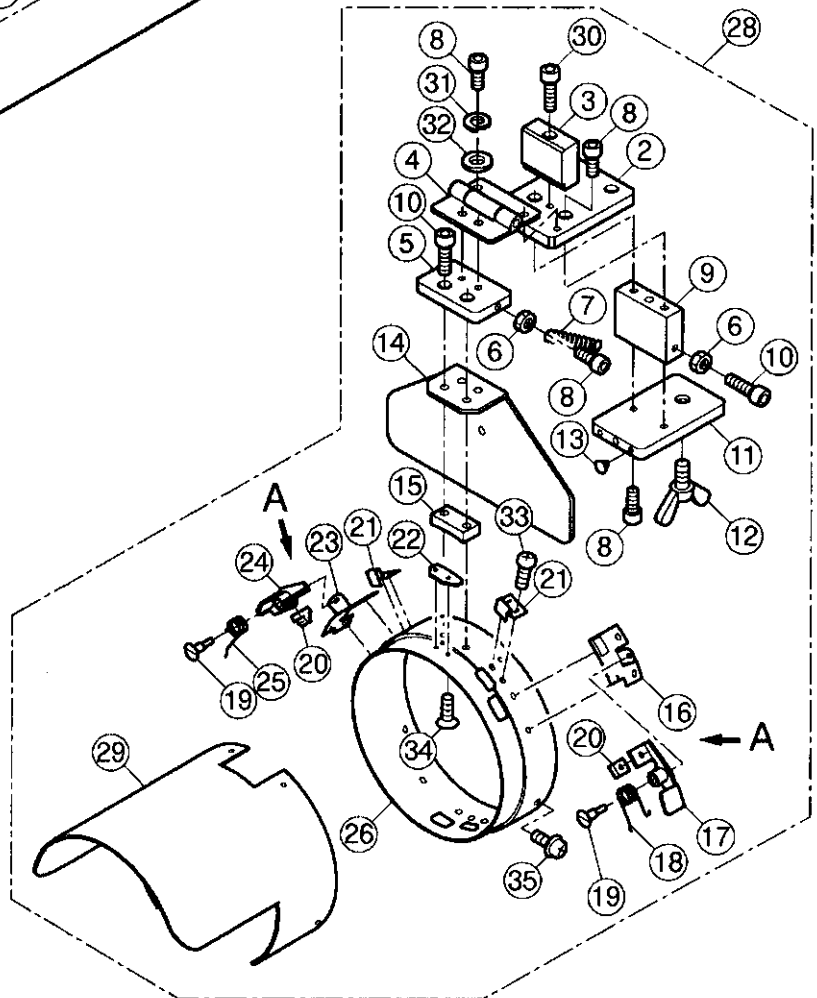
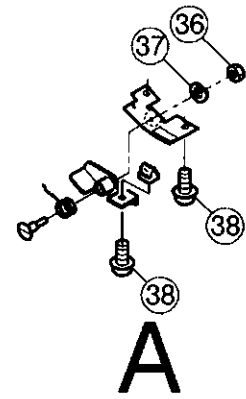
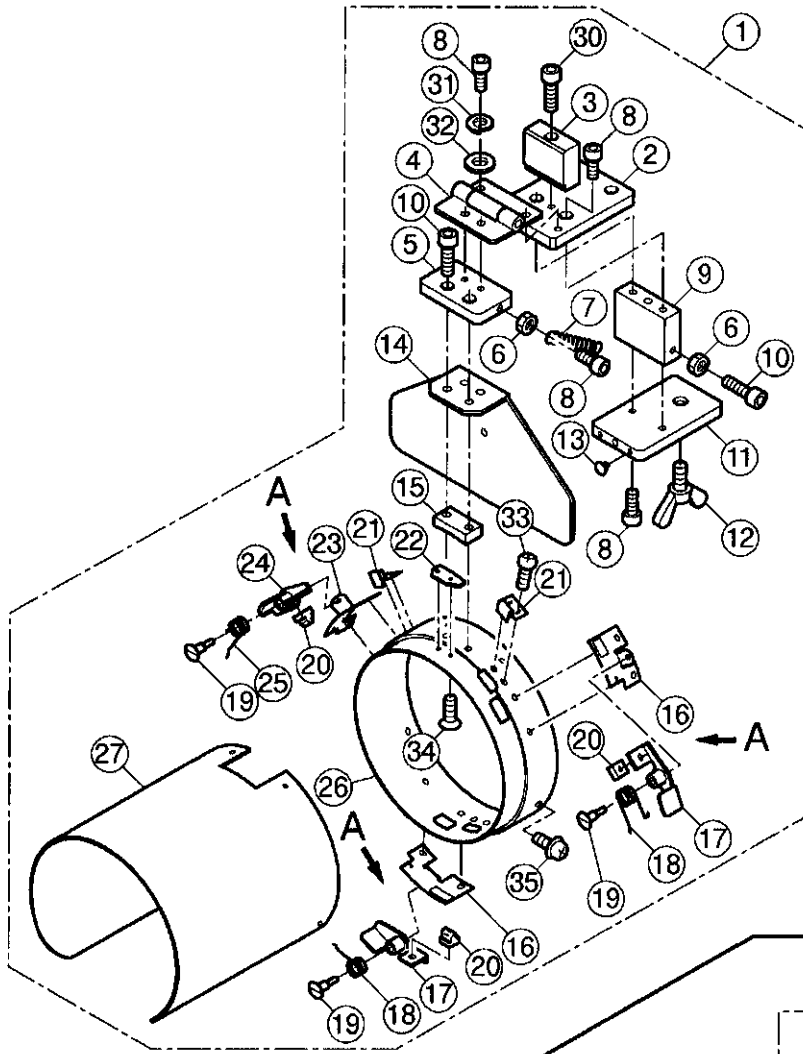
# CAP FRAME (HOLD FRAME)

35b-1

組 Ass'y	指図 El't	部品番号 PARTS No.	PARTS NAMES	CGB1131 NOTE / 備考
	1	FRA44001	Cap hold frame ass'y (wide type)	
	2	FRA44210	Positioning plate	
	3	FRA44180	Cap marker	
	4	FRA44101	Cap hold frame (wide type)	
	5	FRA44050	Cap holder bracket	
	6	FRA44031	Hook	
	7	FRA44201	Cap holder A	
	8	FRA44090	Clip	
	9	FRA44012	Guide pin	
	10	FRA44022	Grip bracket	
	11	FRA44170	E-ring	
	12	FRA44041	Cap grip	
	13	FRA44160	Latch	
	14	FRA46011	Cap hold frame ass'y (semi wide type)	
	15	FRA46025	Cap hold frame (semi wide type)	
	16	FRA46221	Clamp support cushion	
	17	FRA46121	Clamp support	
	18	FRA46111	Clamp support ass'y	
	19	FRA46141	Spacer	
	20	FRA46171	Side holder ass'y	
	21	FRA46231	Side holder cushion	
	22	FRA46181	Side holder	
	23	FRA46082	Bracket	
	24	NWBB03000	Wing nut (M3)	
	25	FRA46241	Clamp cushion	
	26	FRA46201	Clamp A	
	27	FRA46191	Clamp A ass'y	
	28	FRA46211	Clamp B	
	29	FRA46151	Latch bracket	
	30	NHAD04000	Hexagon nut (M4)	
	31	WPAD04000	Plain washer (M4)	
	32	SPAD03005	Pan head screw (cross recessed, M3x5)	
	33	SPDD04012	Pan head screw (cross recessed, M4x12)	
	34	SGAD04008	Flat head screw (cross recessed head, M4x8)	
	35	SPDD03005	Pan head screw (cross recessed, M3x5)	
	36	SPDD03004	Pan head screw (cross recessed, M3x4)	
	37	NHAD03000	Hexagon nut (M3)	
	38	WSAD03000	Spring lock washer (M3)	
	39	SGAD03004	Flat head screw (cross recessed head, M3x4)	
	40	WPAD03000	Plain washer (M3)	
	41	SGAD03006	Flat head screw (cross recessed head, M3x6)	
	42	NHCD03000	Hexagon nut (M3)	

# CAP FRAME (CAP STRETCHER)

CGB8A18 35c-1





# CAP FRAME (CAP STRETCHER)

35c-1

組	指図	部品番号		CGB8A18
Ass'y	El't	PARTS No.	PARTS NAMES	NOTE / 備考
	1	FRA44501	Cap stretcher (for wide type)	
	2	FRA44600	Base E	
	3	FRA44610	Stopper A	
	4	FRA44580	Hinge	
	5	FRA44590	Base D	
	6	NHAD05000	Hexagon nut (M5)	
	7	FRA44620	Tension coil spring	
	8	SCAD05012	Hexagon socket head cap screw (M5x12)	
	9	FRA44561	Base B	
	10	SCAD05020	Hexagon socket head cap screw (M5x20)	
	11	FRA44571	Base C	
	12	SWAB10020	Wing bolt (M10x20)	
	13	FRA44630	Cushion	
	14	FRA44531	Back plate	
	15	FRA44540	R block	
	16	FRA43590	Lever bracket (right)	
	17	FRA43560	Hold lever ass'y (right)	
	18	FRA43620	Torsion coil spring (right)	
	19	FRA43610	Support pin	
	20	FRA43601	Lock pin	
	21	FRA43550	Spring	
	22	FRA43540	Center guide	
	23	FRA43650	Lever bracket (left)	
	24	FRA43630	Hold lever ass'y (left)	
	25	FRA43660	Torsion coil spring (left)	
	26	FRA44510	Cylinder	
	27	FRA44521	Stretch plate (for wide type)	
	28	FRA46310	Cap stretcher (for semi wide type)	
	29	FRA46300	Stretch plate (for semi wide type)	
	30	SCAD05035	Hexagon socket head cap screw (M5x35)	
	31	WSAD05000	Spring lock washer (M5)	
	32	WPAD05000	Plain washer (M5)	
	33	SPAD03005	Pan head screw (cross recessed, M3x5)	
	34	SGAD03005	Flat head screw (cross recessed head, M3x5)	
	35	SPDD04010	Pan head screw (cross recessed, M4x10)	
	36	NHCD04000	Hexagon nut (M4)	
	37	WSAD04000	Spring lock washer (M4)	
	38	SPDD04008	Pan head screw (cross recessed, M4x8)	



# HAPPY

## HAPPY Industrial Corporation

HEAD OFFICE 5-9-16, Miyamachi, Yamagata-city 990-0057, Japan  
Phone: 023-623-7111 FAX: 023-623-2654

TOKYO OFFICE 2-9-5, Taito, Taito-Ku, Tokyo 110-0016, Japan  
Phone: 03-3834-0711 Telex: 265-5482  
FAX: 03-3835-8917 Cable: HAPPYSEW TOKYO

HAPPY INDUSTRIAL GmbH Am Kummerling, 10-12  
6501 Bodenheim am Rhein  
Germany  
Phone: 06135-8101 FAX. 0211-161630

<b>Model</b>	
<b>Machine No.</b>	