

**OPERATING INSTRUCTIONS  
AND PARTS BOOK**

***CONSEW***

**BLINDSTITCH** MACHINE SERIES

1099,  
1118 & 1118L  
SERIES

---

***CONSEW***

CONSOLIDATED SEWING MACHINE CORP.

INDUSTRIAL SEWING EQUIPMENT

	MODEL	DESCRIPTION
1	1099PB	1 to 1 Ratio - Nonskip Stitch Narrow Cylinder - No Work Plate for Pants Bottom
2	1099-2M	1 to 1 Ratio - Nonskip Stitch Narrow Cylinder Swing-Away Work Plate For Medium Weight Fabrics
3	1099-2L	1 to 1 Ratio - Nonskip Stitch Narrow Cylinder Swing-Away Work Plate For Light Weight Fabrics
4	1099-2H	1 to 1 Ratio - Nonskip Stitch Narrow Cylinder Swing-Away Work Plate For Heavy Weight Fabrics
5	1099-2K	1 to 1 Ratio - Nonskip Stitch Narrow Cylinder Swing-Away Work Plate For Knit Fabrics
6	1099-9	1 to 1 Ratio - Nonskip Stitch Narrow Cylinder - Large Stationary Work Plate For Draperies
7	1099-9E	1 to 1 Ratio - Nonskip Stitch Narrow Cylinder Extra Large Stationary Work Plate For Draperies
8	1118-2M	2 to 1 & 1 to 1 Ratio - Skip & Nonskip Narrow Cylinder Swing-Away Work Plate For Medium Weight Fabrics
9	1118-2L	2 to 1 & 1 to 1 Ratio - Skip & Nonskip Narrow Cylinder Swing-Away Work Plate For Light Weight Fabrics
10	1118-2H	2 to 1 & 1 to 1 Ratio - Skip & Nonskip Narrow Cylinder Swing-Away Work Plate For Heavy Weight Fabrics
11	1118-2K	2 to 1 & 1 to 1 Ratio - Skip & Nonskip Narrow Cylinder Swing-Away Work Plate For Knit Fabrics
12	1118-9	2 to 1 & 1 to 1 Ratio - Skip & Nonskip Narrow Cylinder Large Stationary Work Plate For Draperies
13	1118-9E	2 to 1 & 1 to 1 Ratio - Skip & Nonskip Narrow Cylinder Extra Large Stationary Work Plate For Draperies
14	1118L-2M	Same as 1118-2M Except with Lubrication
15	1118L-2L	Same as 1118-2L Except with Lubrication
16	1118L-2H	Same as 1118-2H Except with Lubrication
17	1118L-2K	Same as 1118-2K Except with Lubrication
18	1118L-9	Same as 1118-9 Except with Lubrication
19	1118L-9E	Same as 1118-9E Except with Lubrication

# INDEX

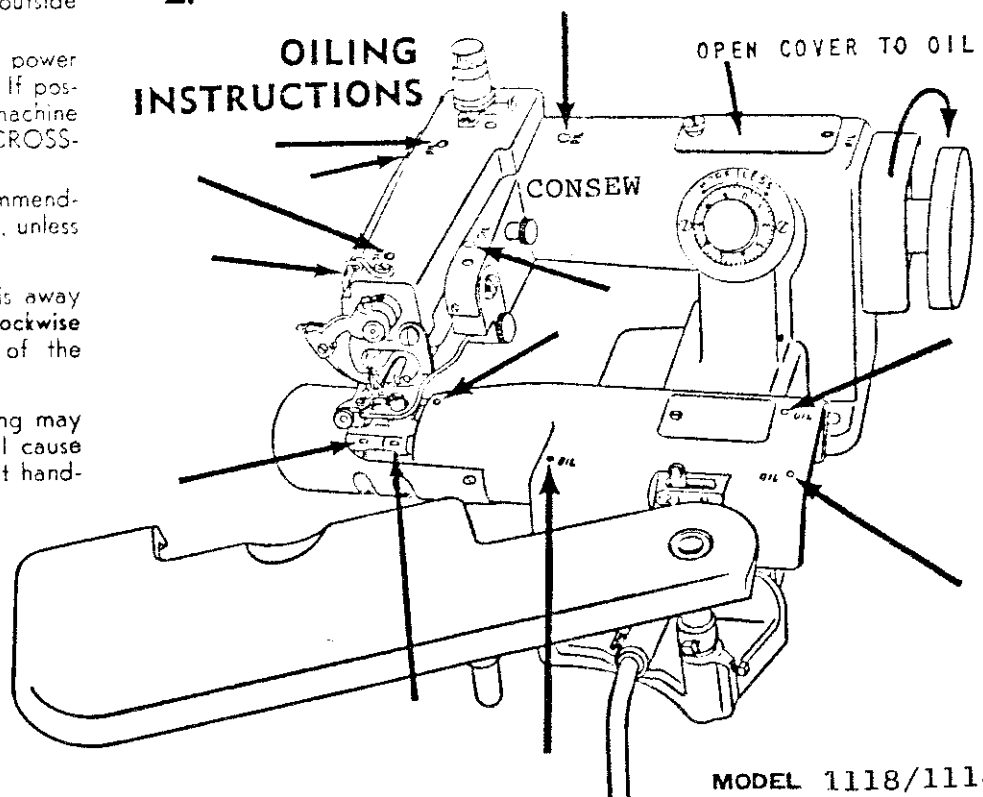
INFORMATION	PAGE	PARTS	PAGE
Needle Sizes .....	Back	Inside Cover	
Models in our Line.....		Inside Cover	
Mounting on Stand.....	1	Rib .....	10 & 11
Oiling Instructions .....	1	Feed Frame .....	10 & 11
Knee Lifter Adjustment.....	2	Main Frame .....	12 & 13
Threading Chart .....	2	Main Shaft .....	13
Adjusting Rib to Needle.....	3	Front Plates & Support Brackets	14/15/16
Stitch Ratio Lever.....	3	Presserfoot Assembly .....	17
Testing and Changing Needle.....	4	Looper Rod Assembly.....	18
How to Sew.....	5	Needle Drive Group.....	18
Stitching .....	5	Regulating Dial Group.....	19
Set Rib Shaft and Rib Connection.....	6 & 7	Rocker Pin Assembly.....	19
Needle Stroke .....	6 & 7	Knee Lifter Assembly.....	20
Length of Stitch.....	6 & 7	Self Oiler.....	21/22
Adjusting Looper .....	8 & 9	Accessory Group.....	23

## MOUNTING MACHINE

1. Fasten machine to table using felt pad. Tighten screws evenly, turning each a little at a time.
  - a. When an individual motor and clutch unit is employed, it is recommended that the motor be rated at 1/3 HP and 1725-1750 RPM. On all standard models, use a 3 1/2" outside diameter pulley. On models intended for alteration, use a 2 1/2" outside diameter pulley.
  - b. When the machine is mounted on a power table, a 4" pulley should be used. If possible, when using such stands, the machine should be mounted to AVOID CROSSING THE BELT.
  - c. The maximum machine speed recommended for any installation is 3000 RPM, unless otherwise specified.
2. The handwheel's direction of rotation is away from the operator. It rotates in a clockwise direction when looking at the face of the wheel pulley, as shown by the arrow.
3. Either V-beltting or round leather beltting may be used. Excessive tension of belt will cause over-heating and freezing of bearing at hand-wheel.

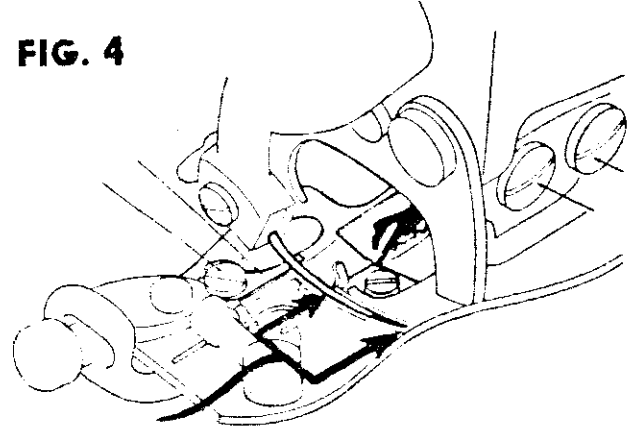
**CAUTION: BEFORE OPERATING MACHINE, LUBRICATE IN ACCORDANCE WITH INSTRUCTIONS. REFER TO OIL CHART.**

1. Place a few drops of oil at all points shown on the oiling chart. All moving parts MUST be oiled.
2. In production use, the machine should be oiled twice daily

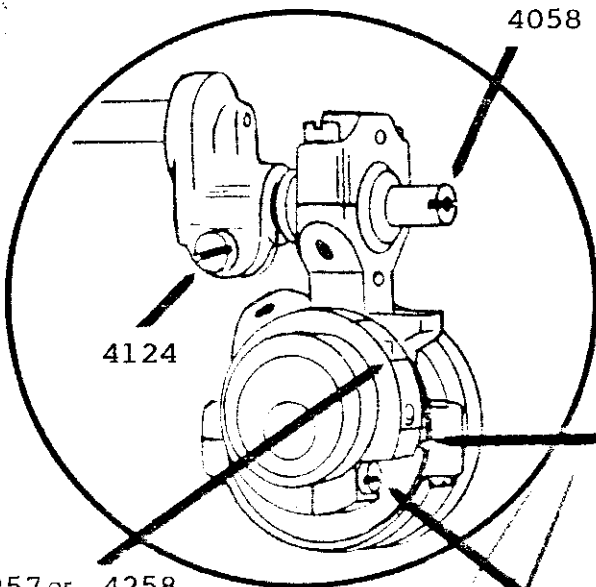




**FIG. 4**



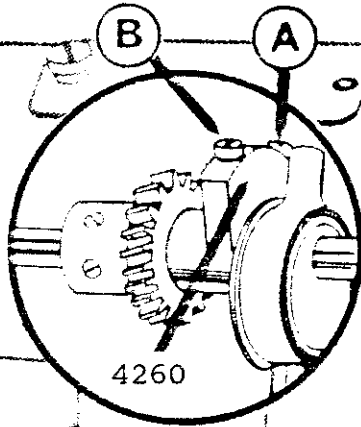
**FIG. 5**



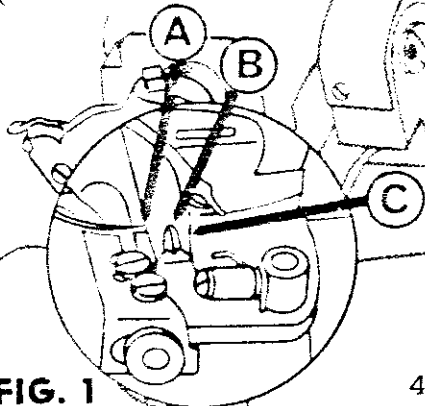
NOTCH IN  
4250

4257 or 4258  
REGULATING  
COLLAR

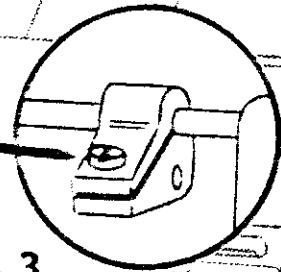
**Fig. 2**



**FIG. 1**



**FIG. 3**





**RIB FOR VARIOUS MODELS AS INDICATED**

Model Light Wt.	Rib	Model Medium Wt.	Rib	Model Hvy. Wt.	Rib	Model Knits	Rib
1118	4371	1118	4354	1118	4356	1118	4363
1118L		1118L		1118L		1118L	
1099		1099		1099		1099	

**FEED FRAME 1118**

**GROUP 1**

4140	Window Plate
6031-6032	Screw - Window Plate
4120	Rib Shaft Bushing - Left
4121	Rib Shaft Bushing - Right
4129	Set Screw - Platten Bracket Pivot Stud
4046	Screw - Spring Link Lock
4112	Screw - Feed Frame Limit
4113	Nut - Feed Frame Limit Screw Lock

**GROUP 2**

4113	Nut - Skip Stitch Compensating
4118	Screw - Skip Stitch Compensating
4114	Skip Regulating Lever
4116	Spring Washer - Skip Regulating Lever Stud
4115	Stud - Skip Regulating Lever
4124	Screw - Skip Regulating Lever Stud-Lock

**GROUP 3**

**RIB — See Chart Top of Page**

4017	Crank - Rib Shaft
4019	Screw - Rib Shaft Crank - Clamp
4018	Stud - Rib Shaft Crank
4123	Rib Shaft Collar - Left
4124	Screw - Rib Shaft Collar-Clamp
4125	Rib Shaft Collar - Right
4124	Screw - Rib Shaft Collar-Clamp

**GROUP 4**

4128	Stud - Platten Bracket Pivot
4126	Platten Bracket - Left
4127	Platten Bracket - Right
4130	Platten - Left
4131	Platten - Right
4136	Screw - Platten to Bracket - Attaching
4137	Nut - Platten to Bracket Attaching Screw
4135	Nut - Platten Bracket Limit Screw-Lock
4134	Screw - Platten Bracket Limit
4132/4133	Spring - Platten Bracket
4233	Spacer - Platten Bracket

**GROUP 5**

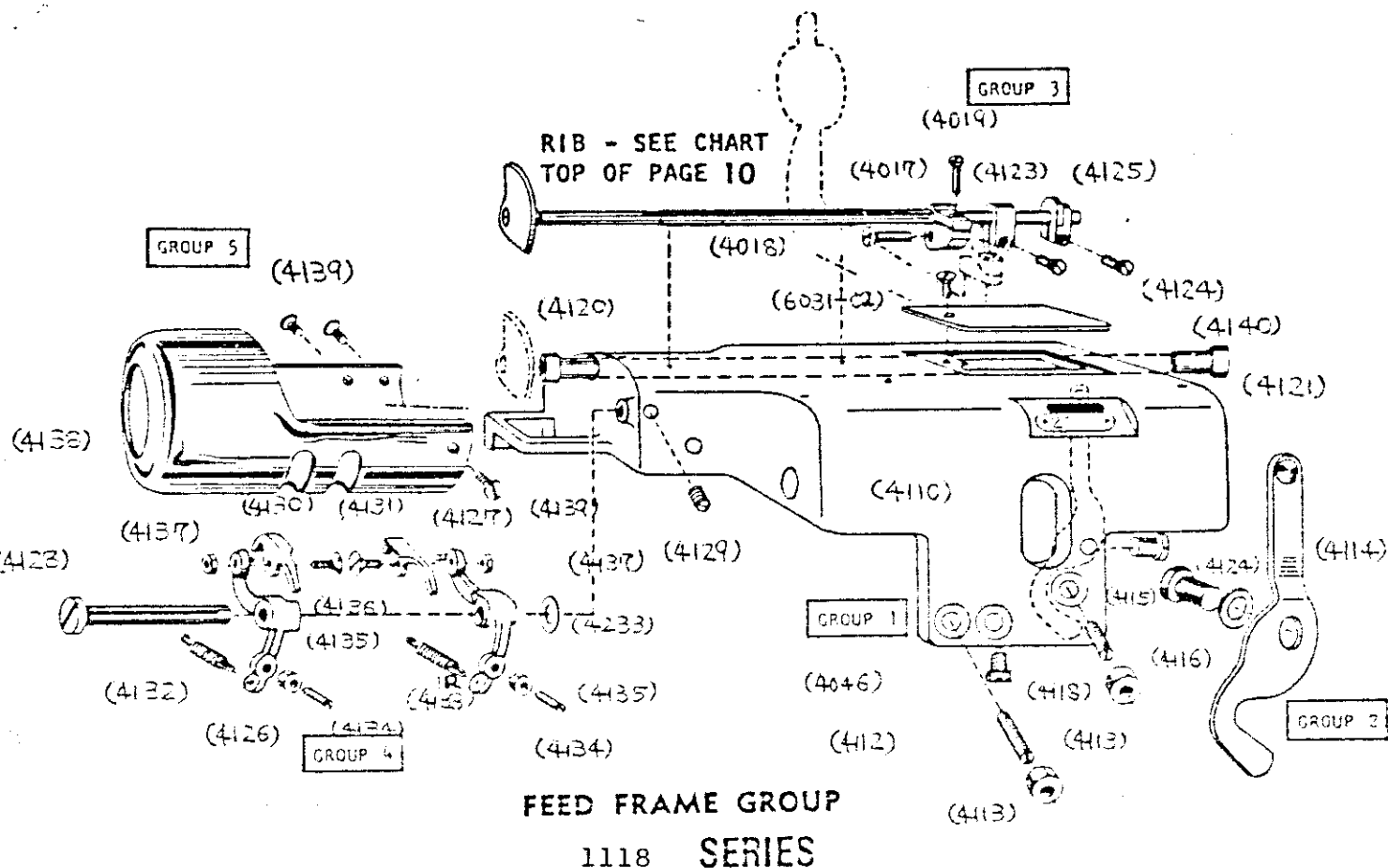
4138	Cylinder
4139	Screw - Cylinder

**IMPORTANT**

For CONSEW Semi-Self Oiler Models 1118L Series use same part numbers as 1118 but add prefix "L".







**FEED FRAME GROUP  
1118 SERIES**

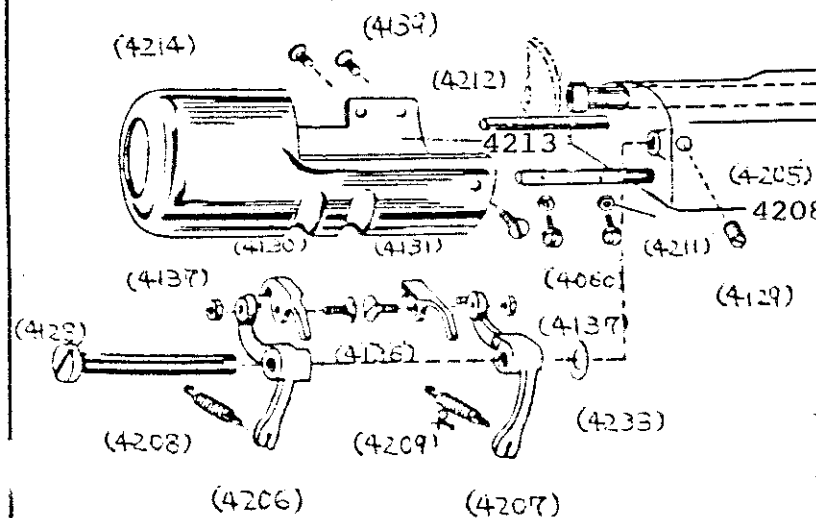
(4110) Feed Frame with (4120) and (4121)

(4205) Feed Frame (Narrow) with (4120) and (4121)

**IMPORTANT**

Ordinarily, machines have this narrow cylinder, but thicker cylinder No. as illustrated above is installed on order without any additional charge.

**NARROW CYLINDER MACHINES  
SERIES**

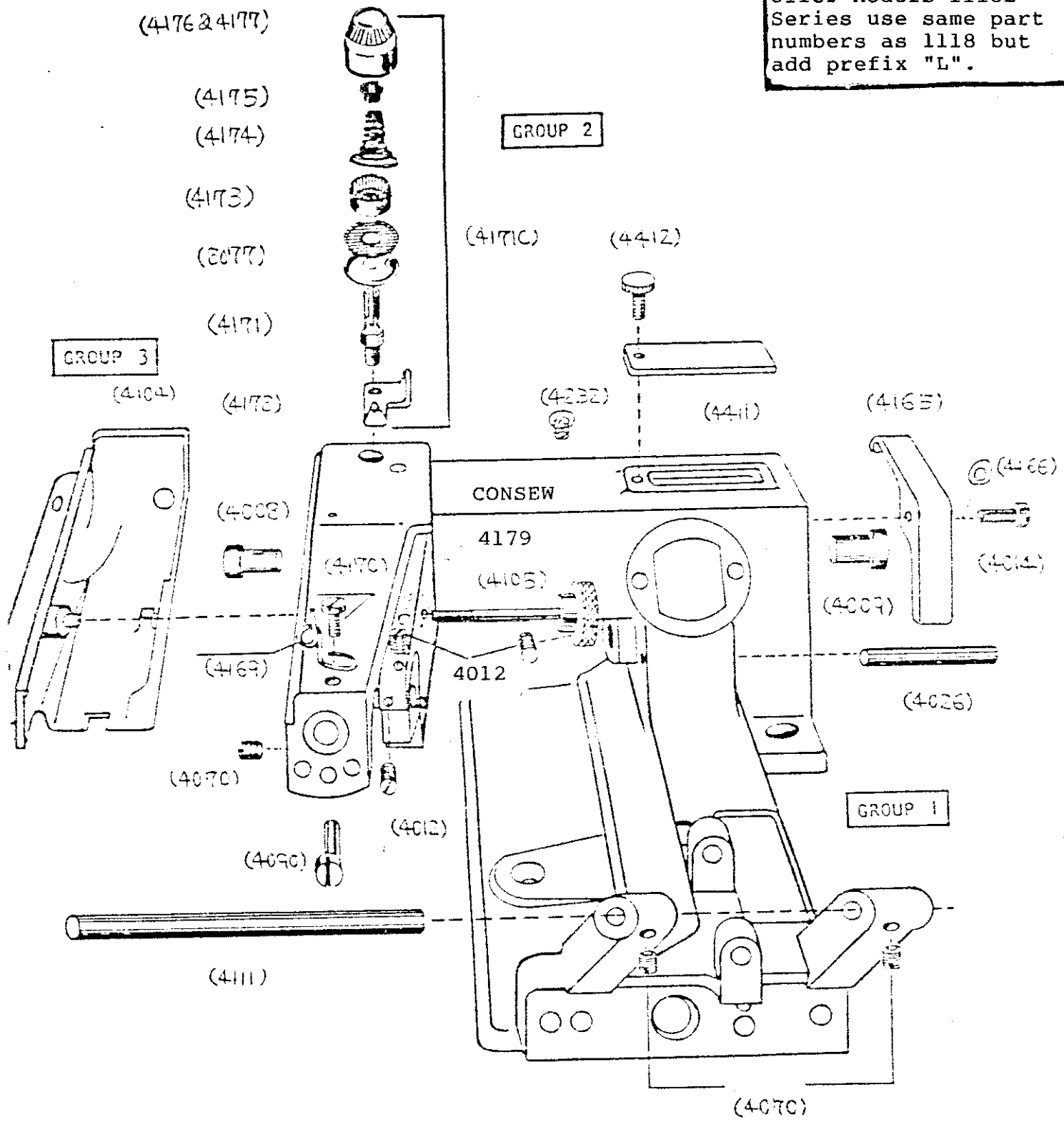


4128	Stud - Platten Bracket Pivot
4206	Platten Bracket - Left
4207	Platten Bracket - Right
4130	Platten - Left
4131	Platten - Right
4136	Screw Platten to Bracket
4137	Nut - Platten to Bracket Screw
4208/4209	Spring - Platten Bracket
4233	Spacer - Platten Bracket
4212	Spring Post
4213	Stop Post
4060	Screw - Platten Bracket-Limit
4211	Nut - Platten Bracket Limit-Screw Lock
4214	Cylinder
4139	Screws - Cylinder
4129	Set Screw - Platten Bracket Pivot Stud



# MAIN FRAME GROUP

**IMPORTANT**  
 For CONSEW Semi-Self  
 Oiler Models 1118L  
 Series use same part  
 numbers as 1118 but  
 add prefix "L".



4079	Cotter Pin (03x20)
4116	Washer for 4014
4232	Rubber Packing



← MAIN FRAME GROUP

MAIN SHAFT GROUP

GROUP 1

- 4111 Shaft - Feed Frame Rocker
- 4070 Set Screw - Feed Frame Shaft
- 4026 Pin - Regulating Fork-Pivot
- 4009 Main Shaft Bushing - Right
- 4008 Main Shaft Bushing - Left
- 4165 Belt Guard
- 4014 Set Screw - Belt Guard
- 4411 Cover Plate
- 4412 Screw - Cover Plate
- 4090 Eccentric Pin
- 4070 Screw - Eccentric Pin Set
- 4012 Screw - Eccentric Block

GROUP 2

- 417C Tension Assembly, Complete
- 4178 Thread Guide
- 4171 Tension Post
- 8077 Tension Discs
- 4173 Cover
- 4174 Spring
- 4175 Ratchet
- 4176/4177 Nut
- 4169 Front Thread Guide
- 4170 Screw - Front Thread Guide

GROUP 3

- 4104 Side Cover
- 4105 Screw - Side Cover

GROUP 4

FITTED-LAPPED COMPLETE

GROUP 1

- 4015 Main Shaft 4007 (1118L), 4405 (1118)
- 4012 Gear - Skip Stitch Drive (4020C)
- Screw - Skip Stitch Drive Gear Set

4260C Group 2, Fitted & Lapped 1118

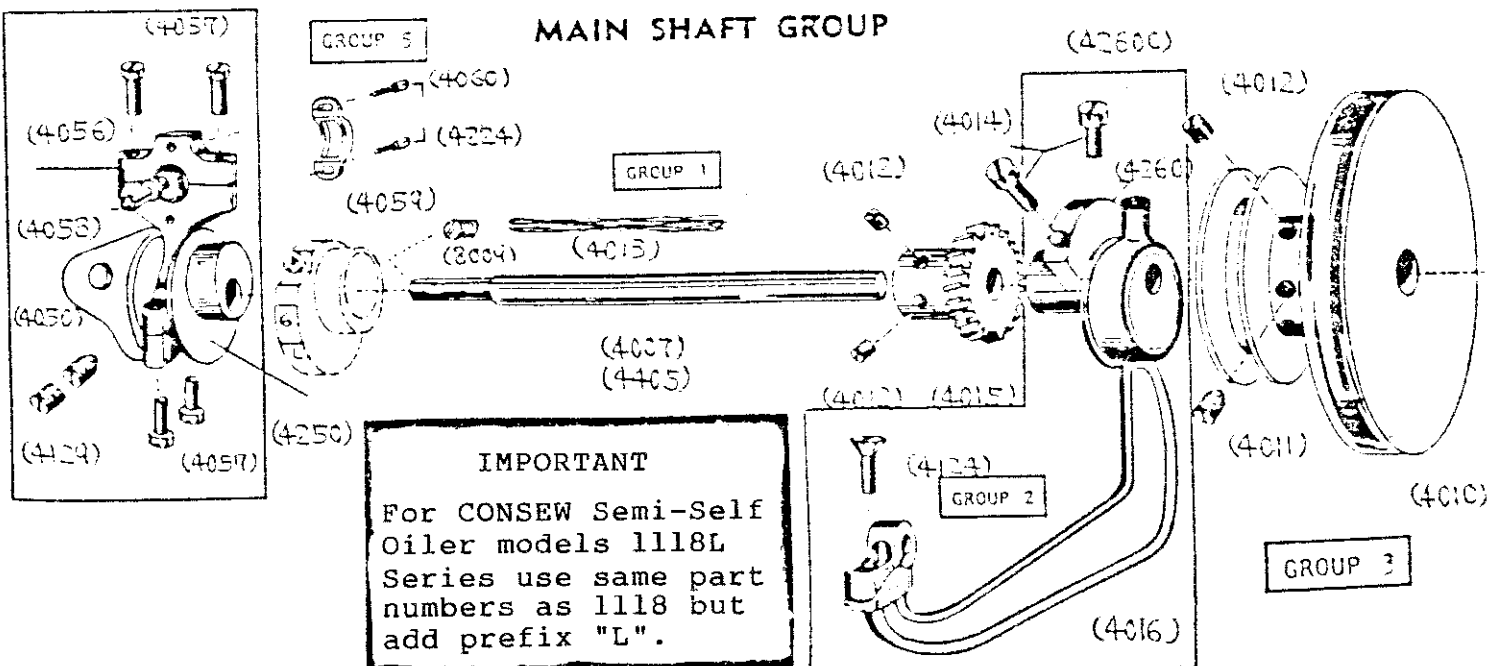
- 4016 Rib Connection Lever
- 4124 Screw - Rib Connecting Lever Clamp
- 4260 Rib Connection Eccentric
- 4014 Screw - Rib Lever Eccentric

- 4010 Handwheel
- 4011 Screw - Handwheel Set (Cone Point)
- 4012 Screw - Handwheel Set

- 4250S Group 4, Fitted and Lapped
- 4250 Needle and Feed Eccentric
- 4250 Set Screw - (Cone Point) Feed Eccentric
- 4129 Screw - (Flat) Eccentric Set-Lock
- 4056 Needle Shaft and Feed Connection
- 4058 Eccentric Ball Stud
- 4057 Screw - Needle Connection

- 4059 Eccentric Bail Guard
- 4060/4224 Screw - Eccentric Bail Guard

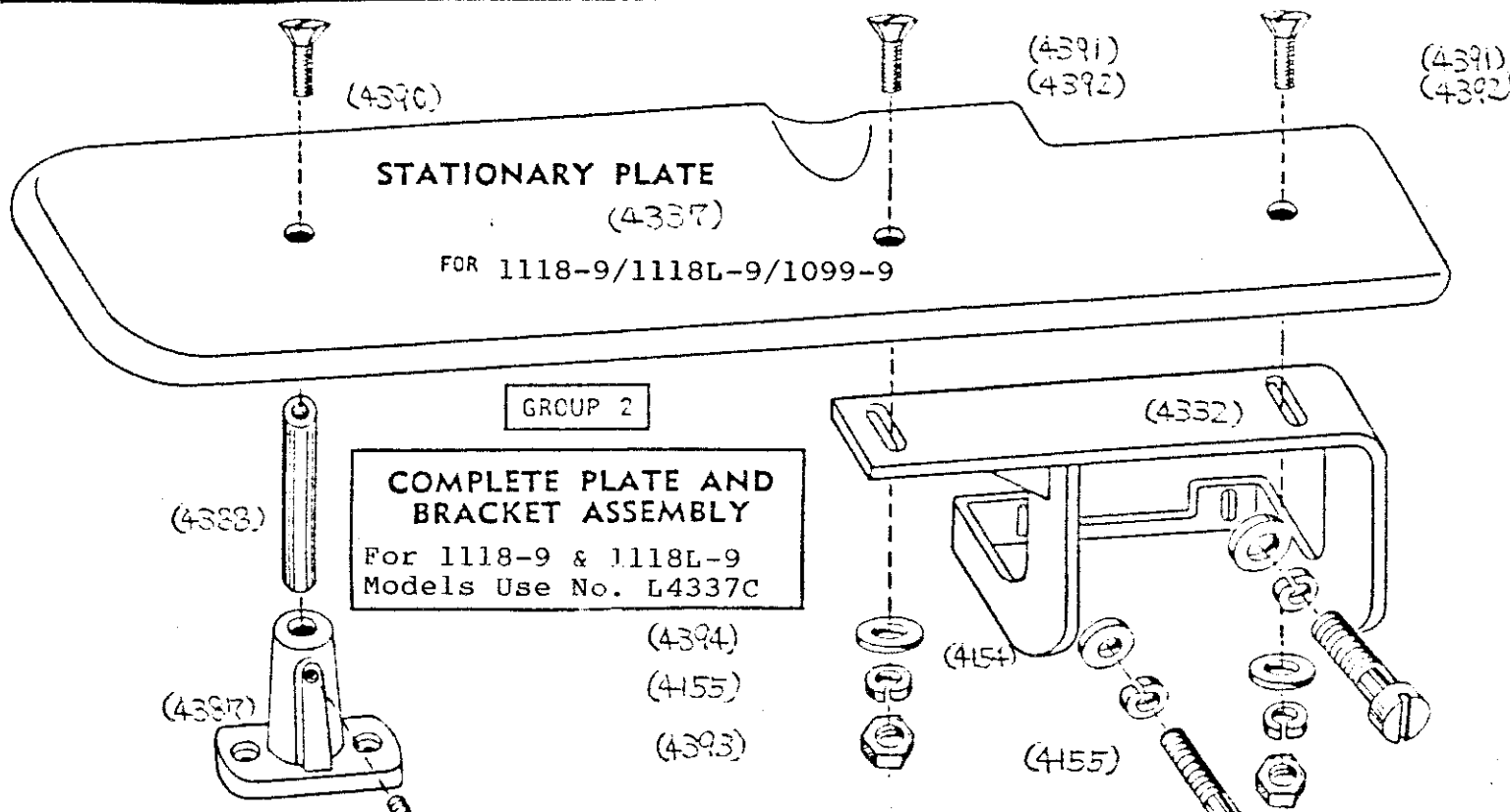
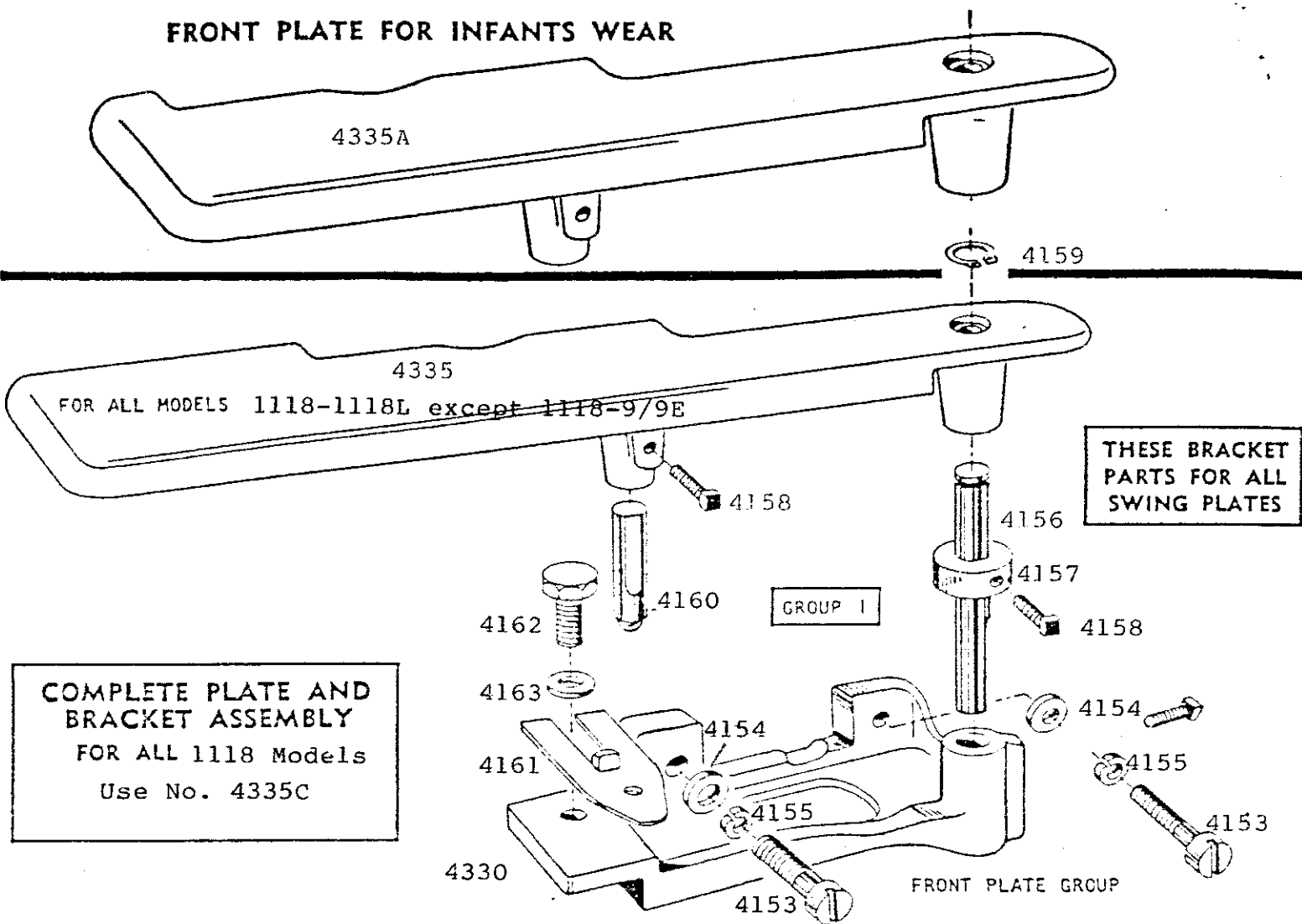
- 4013 Wick - Main Shaft
- 8009 Screw - Main Shaft - Wick



**IMPORTANT**  
 For CONSEW Semi-Self Oiler models 1118L Series use same part numbers as 1118 but add prefix "L".

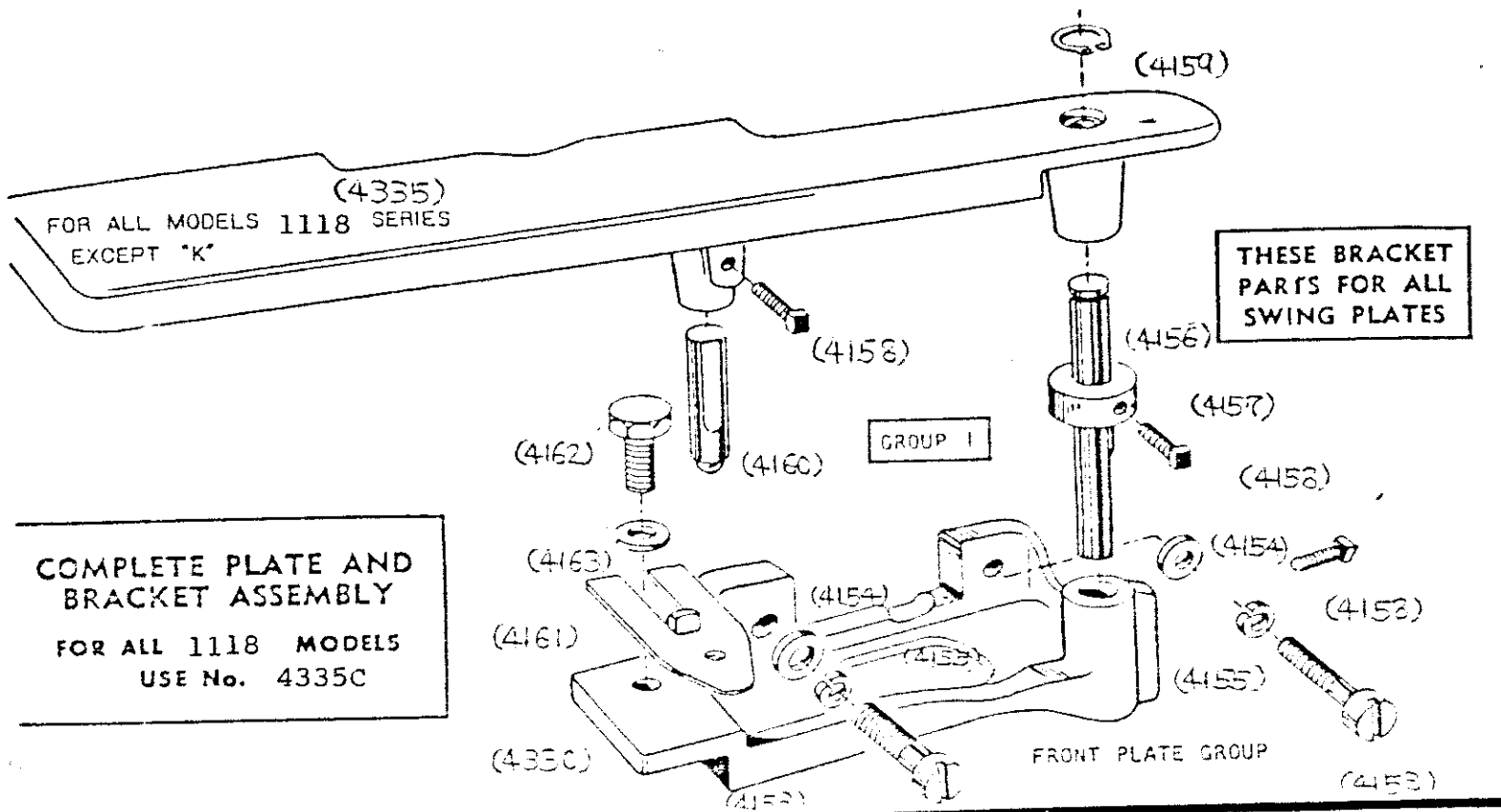


### FRONT PLATE FOR INFANTS WEAR









**FRONT PLATE GROUP AND SUPPORT BRACKETS**

**GROUP 1**

4335C	Complete Plate and Bracket Assembly	1118/1118L
4335C	Complete Plate and Bracket Assembly	1118L
4335	Swing Plate	1118/1118L
4335	Swing Plate	1118L
4160	Support Shaft Assembly	
4158	Screw - Pivot Pin-Lock	
4330	Bracket - Swing Plate-Support	
4162	Screw - Stop Plate	
4163	Washer - Stop Plate Screw	
4161	Stop Plate	
4154	Washers (Flat) - Swing Plate Support Bracket Screw	
4155	Washers (Lock) - Swing Plate Support Bracket Screw	
4153	Screw - Swing Plate Support Bracket	
4154	Washer (Flat) - Swing Plate Support Bracket Screw	
4155	Washer (Lock) - Swing Plate Support Bracket Screw	
4153	Screw - Swing Plate Support Bracket	
4156	Pin - Swing Plate Pivot	
4159	Retaining Ring - Swing Plate Pivot Pin	
4157	Collar - Swing Plate Pivot Pin	
4158	Set Screw - Swing Plate Pivot Pin Lock	
4159	Screw - Swing Plate Pivot Pin Lock	



## FRONT PLATE GROUP AND SUPPORT BRACKETS

(Except Models 1118-9/9E, 118L-9/9E and  
1099-9/9E)

### GROUP 1

- { Complete Plate and Bracket Assembly (1118/1118L/1099)
- { Complete Plate and Bracket Assembly 1118L
- 4335 { Swing Plate (1118/1099
- { Swing Plate 1118L
- 4335A Swing Plate For Infants Wear
- 4160 Support Shaft Assembly
- 4158 Screw - Pivot Pin-Lock
- 4330 Bracket - Swing Plate-Support
- 4162 Screw - Stop Plate
- 4163 Washer - Stop Plate Screw
- 4161 Stop Plate
- 4154 Washers (Flat) - Swing Plate Support Bracket Screw
- 4155 Washers (Lock) - Swing Plate Support Bracket Screw
- 4153 Screw - Swing Plate Support Bracket
- 4154 Washer (Flat) - Swing Plate Support Bracket Screw
- 4155 Washer (Lock) - Swing Plate Support Bracket Screw
- 4153 Screw - Swing Plate Support Bracket
- 4156 Pin - Swing Plate Pivot
- 4159 Retaining Ring - Swing Plate Pivot Pin
- 4157 Collar - Swing Plate Pivot Pin
- 4158 Set Screw - Swing Plate Pivot Pin Collar
- 4158 Screw - Swing Plate Pivot Pin-Lock

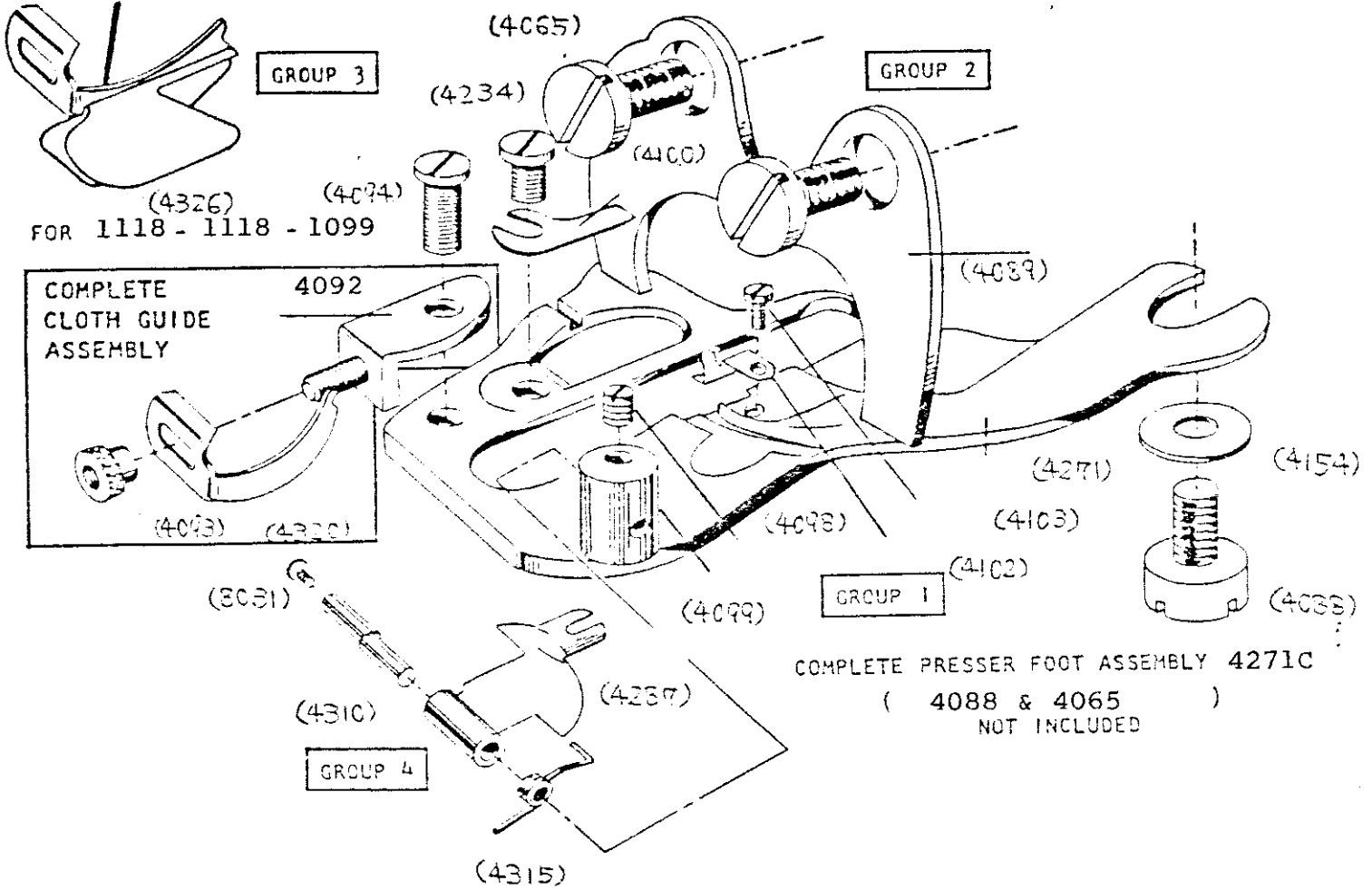
### GROUP 2 Models 1118-9/1118L-9/1099-9

- 
- 4337C Complete Plate and Bracket Assembly 1118-9/1118L-9)
  - 4337 Stationary Plate (1118-9/1118L-9 and 1099-9)
  - 4332 Bracket Stationary Plate
  - 4391 or 4392 Screw - Stationary Plate to Bracket
  - 4394 Washer (Flat) - Plate Screw
  - 4155 Washer (Lock) - Plate Screw
  - 4393 Nut - Plate Screw
  - 4154 Washer (Flat) - Bracket Support
  - 4155 Washer (Lock) - Bracket Support
  - 4153 Screw - Bracket Support
  - 4387 Support - Stationary Plate
  - 4388 Extension Support, Adjustable
  - 4389 Screw - Extension Support, Lock
  - 4390 Screw - Plate to Support
-



SPECIAL GUIDE AND GAUGE WHERE NECESSARY FOR MATERIAL THAT IS HARD TO KEEP UNCURLD, SUCH AS NYLON TRICOT.

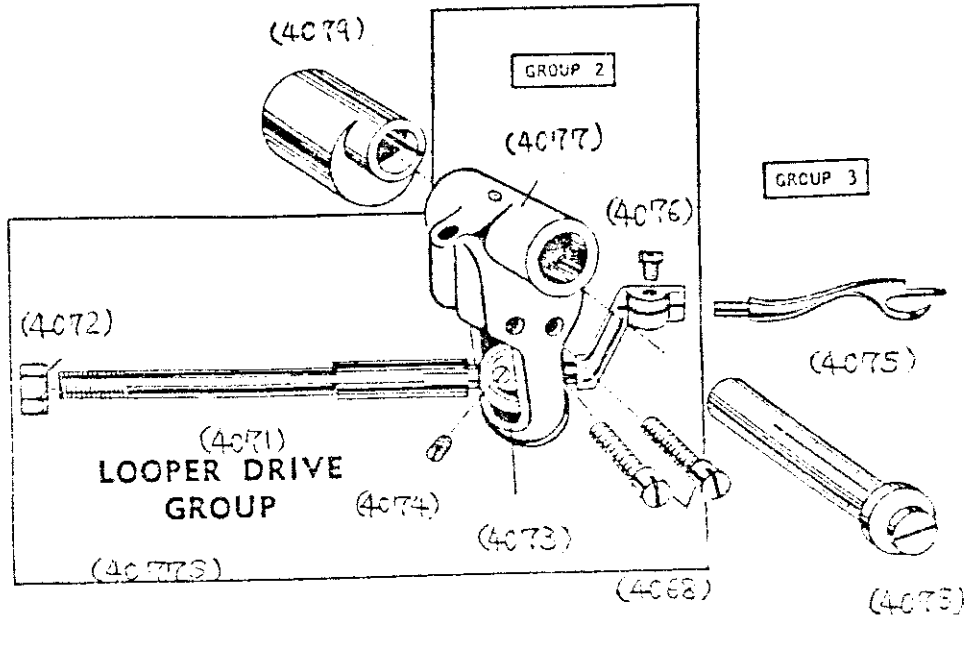
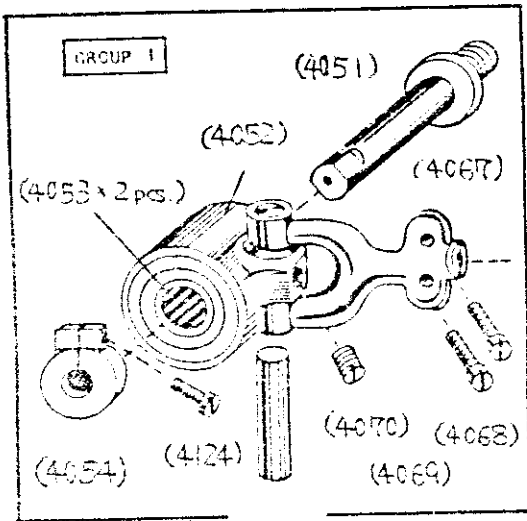
**PRESSERFOOT GROUP**



Model	Presser Foot Complete	(Presser) (Foot)	(Presser) (Foot) (Shoe)	Stitch Regulating Collar	Cloth Guide	Rib
M	44C (4271C)	(2301 (4271))	(2501 (4287))	1091 (4257)	2600 (4320)	6010 (4354)
L	44A (4270C)	(2303 (4270))	(2503 (4285))	1091 (4257)	2600 (4320)	6036 (4371)
H	44C (4271C)	(2301 (4271))	(2501 (4287))	1092 (4258)	2600 (4320)	6032 (4368)
K	44C (4271C)	(2301 (4271))	(2501 (4287))	1092 (4258)	2606 (4324)	6032 (4368)



**LOOPER ROD FORK SLEEVE ASSEMBLY — 4052S**



**GROUP 1**

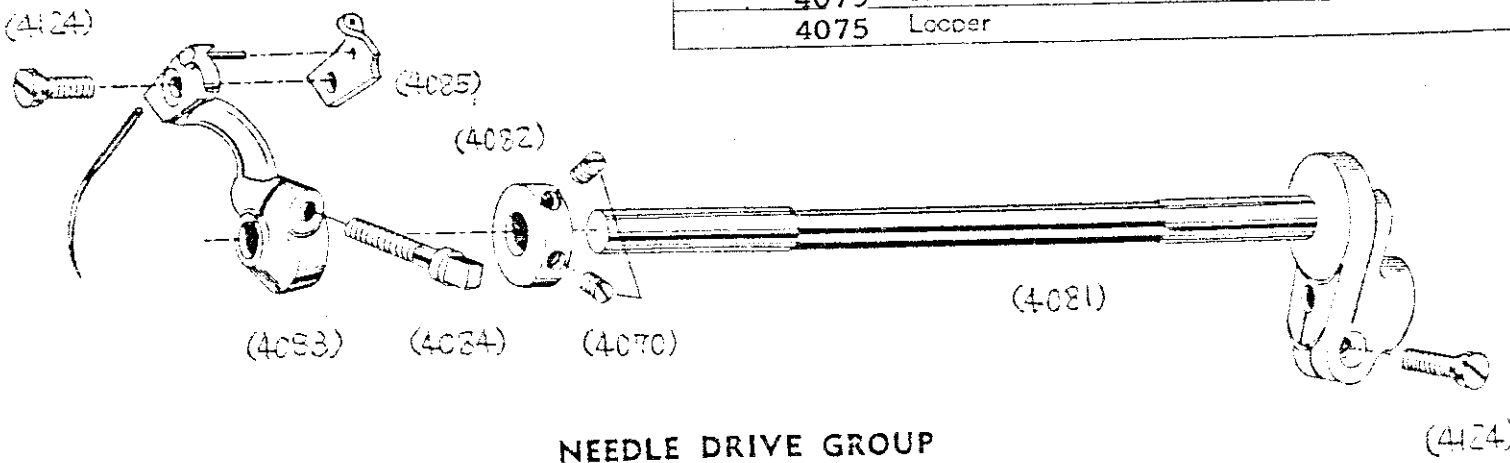
4052S	Looper Rod Fork and Sleeve Assembly
4067	Looper Rod Fork
4052	Looper Rod Sleeve
4069	Pin - Fork and Sleeve
4070	Set Screw - Fork and Sleeve Pin
4051	Stud - Looper Rod Sleeve
4054	Collar - Sleeve Stud
4124	Screw - Stud Collar
4068	Screw - Looper Rod Fork-Clamp
4053	Bearings (2 pcs.) - Looper Rod Sleeve

**GROUP 2**

4077S	Looper Rod and Carrier Complete (1118)
4077	Looper Rod Carrier
4073	Looper Rod Ball
4074	Set Screw - Looper Rod Ball
4071	Looper Rod
4072	Nut - Looper Rod-Lock
4076	Screw - Looper Clamp
	Screw - Looper Rod Carrier-Clamp
4068	

**GROUP 3**

4078	Stud - Looper Rod Carrier
4079	Eccentric Block
4075	Looper

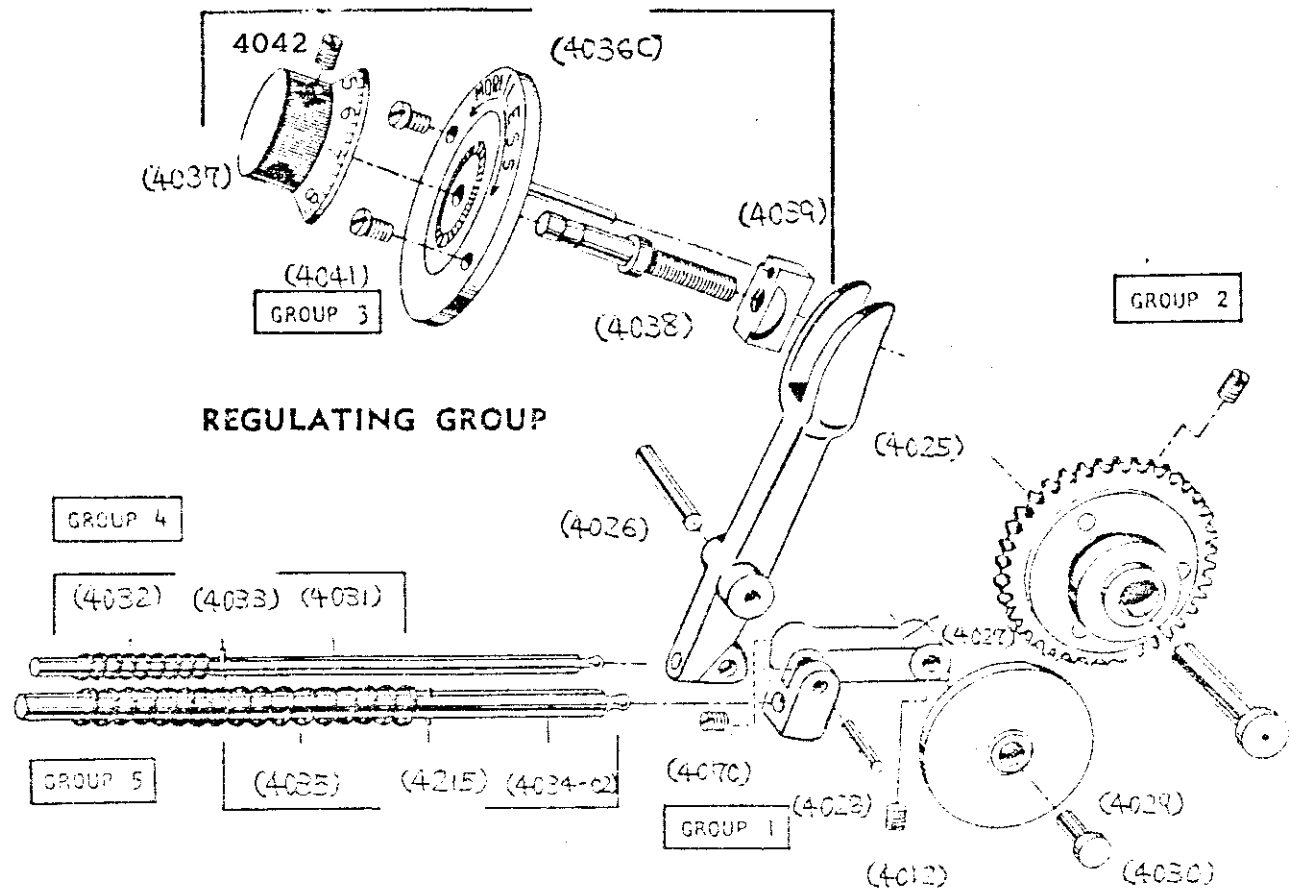


**NEEDLE DRIVE GROUP**

4083	Needle Lever	4081	Needle Shaft
4084	Screw - Needle Lever Clamp	4124	Screw - Eccentric Bail Clamp
4085	Needle Clamp	4052	Collar - Needle Shaft
4124	Screw - Needle Clamp	4070	Set Screw - Needle Shaft Collar







**REGULATING GROUP**

**GROUP 1**

- 4027 Support Arm - Cam Roller - (1118)
- 4025 Regulating Fork
- 4026 Pin - Regulating Fork-Pivot
- 4028 Pin - Roller Support Arm-Pivot
- 4070 Screw - Roller Support Arm Pivot Pin-Set
- 4029 Cam Roller
- 4030 Pin - Cam Roller Support
- 4012 Screw - Cam Roller Support Pin-Set

**GROUP 2**

- 4020C Skip Eccentric Gear Assembly (1118)
- 4023 Pin - Skip Eccentric Gear
- 4021 Screw - Skip Eccentric Gear

**GROUP 3**

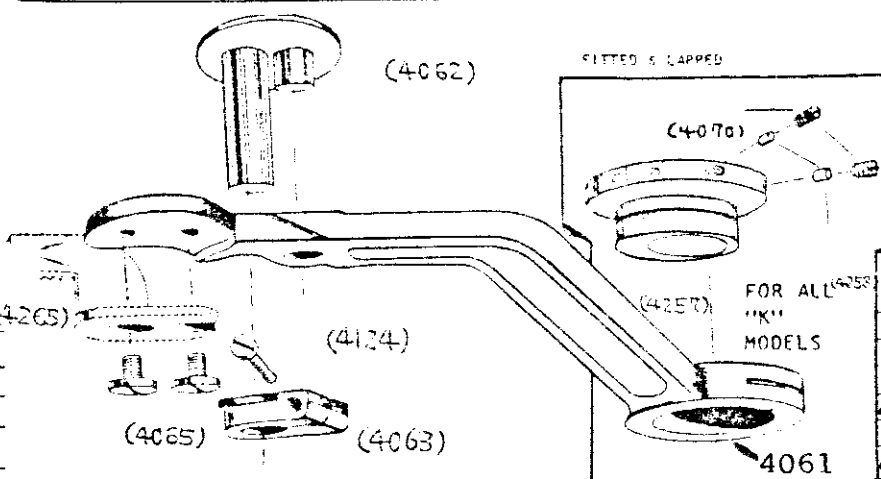
- Regulating Dial Assembly
- (4038C) Regulating Dial Shoe (4039)
- 4038C Regulating Dial Screw (4038)
- 4036C Face Plate and Guide Pin Assembly
- 4041 Screw - Regulating Dial Assembly
- 4037 Dial and Ratchet Assembly
- 4042 Screw - Dial and Ratchet Assembly-Lock

**GROUP 4**

- Push Rod Assembly
- 4031 Push Rod (1/4")
- 4033 Cotter Pin
- 4032 Spring - Push Rod (1/4")

**GROUP 5**

- Push Rod Assembly
- 4034-02 Push Rod (3/8")
- 4215 Cotter Pin
- 4035 Spring - Push Rod (3/8")



**FEED DRIVE GROUP**

- 4061 Feed Lever
- 4257 Stitch Regulating Collar
- 4258 Stitch Regulating Collar For Oil "K"
- 4070 Screw-Stitch Regulating Collar-Clamp
- 4062 Rocker Pin Assembly
- 4063 Collar - Rocker Pin
- 4124 Screw - Rocker Pin Collar - Clamp
- 4265 Feed Dog
- 4265-1 Feed Dog Fine, 20 Teeth to Inch
- 4065 Screw - Feed Dog
- 4257-4061 Fitted & Lapped



GROUP 1

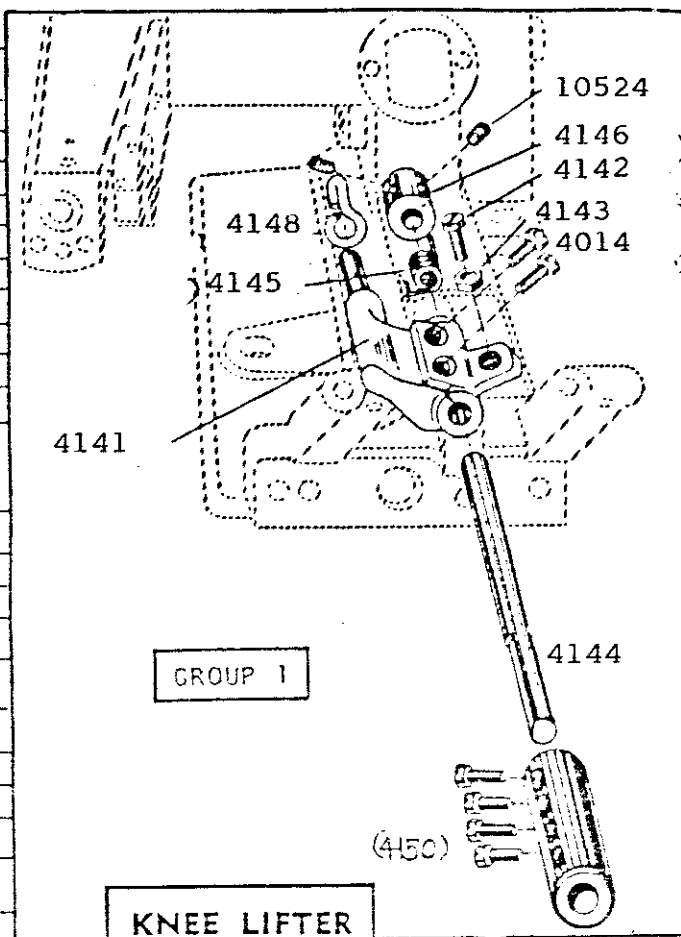
- 4144 Knee Lifter Rod Shaft
- 4141 Lift Arm
- 4014 Screw - Lift Arm Clamp
- 4143 Nut - Lift Arm Adjusting Screw-Lock
- 4142 Screw - Lift Arm Adjustment
- 4145 Spring - Knee Lifter Rod-Return
- 4146 Collar - Knee Lifter Rod
- 10524 Set Screw - Knee Lifter Rod Collar
- 4148 Feed Frame "S" Hook
- 4149 Knee Lifter Rod Sleeve
- 4150 Knee Lifter Rod Sleeve Screws

GROUP 2

- 4190 Knee Lifter Rod
- 4191 Knee Pad
- 4192 Knee Pad Screw
- 4193 Rubber - Knee Pad

GROUP 3

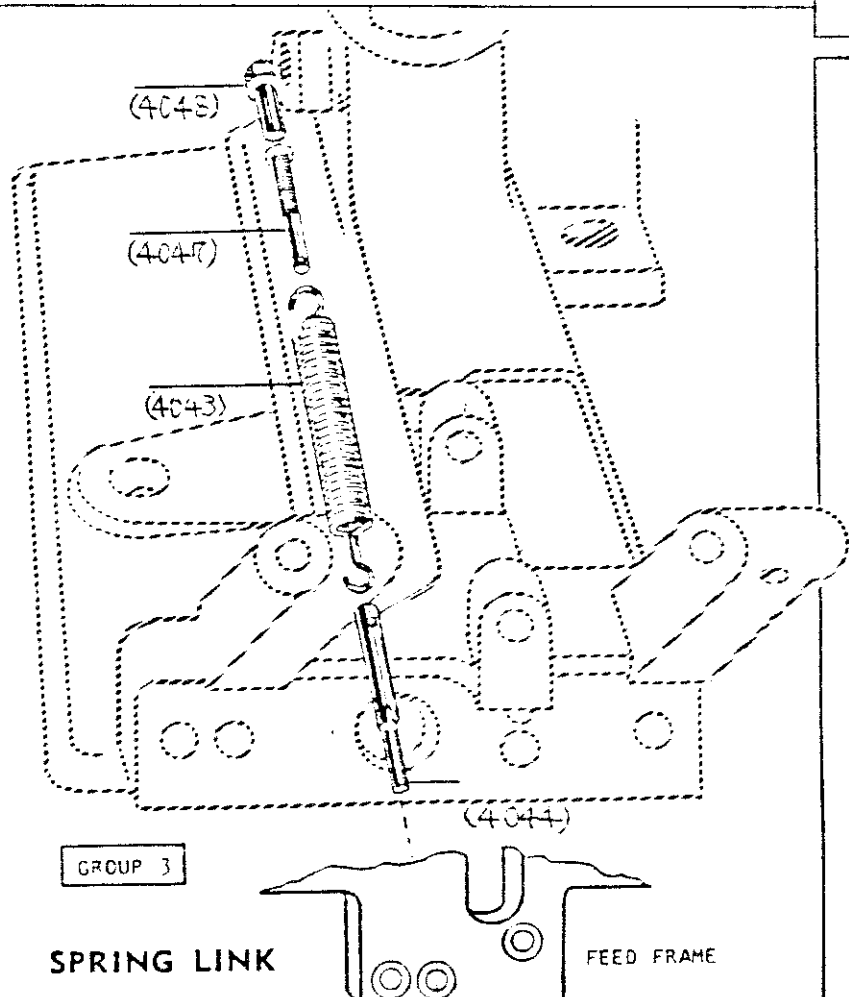
- 4044 Spring Link Assembly
- 4043 Main Spring
- 4047 Screw - Main Spring Link
- 4048 Nut - Main Spring Adjusting
- 4113 Nut - Spring Link Assembly-Retaining



GROUP 1

KNEE LIFTER GROUP

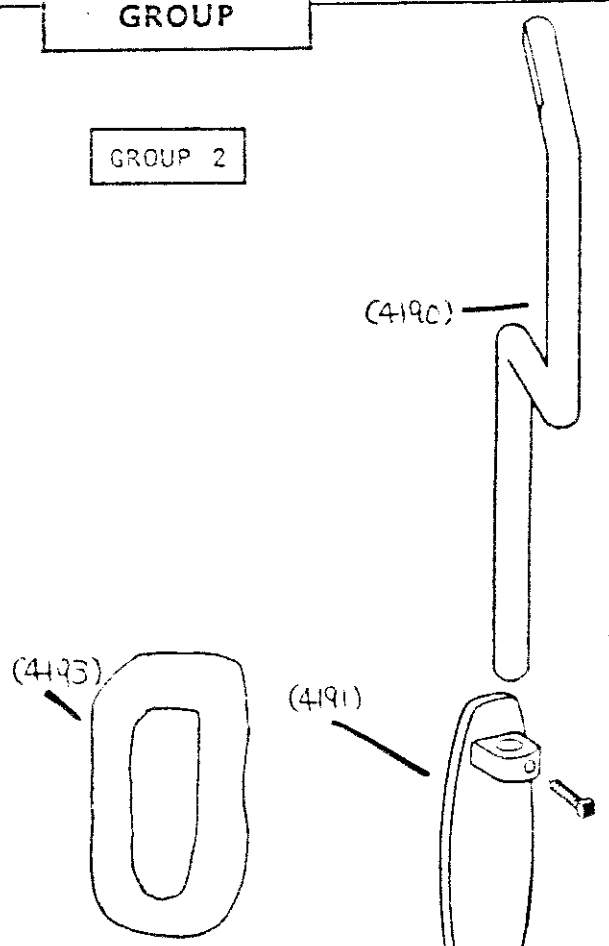
GROUP 2



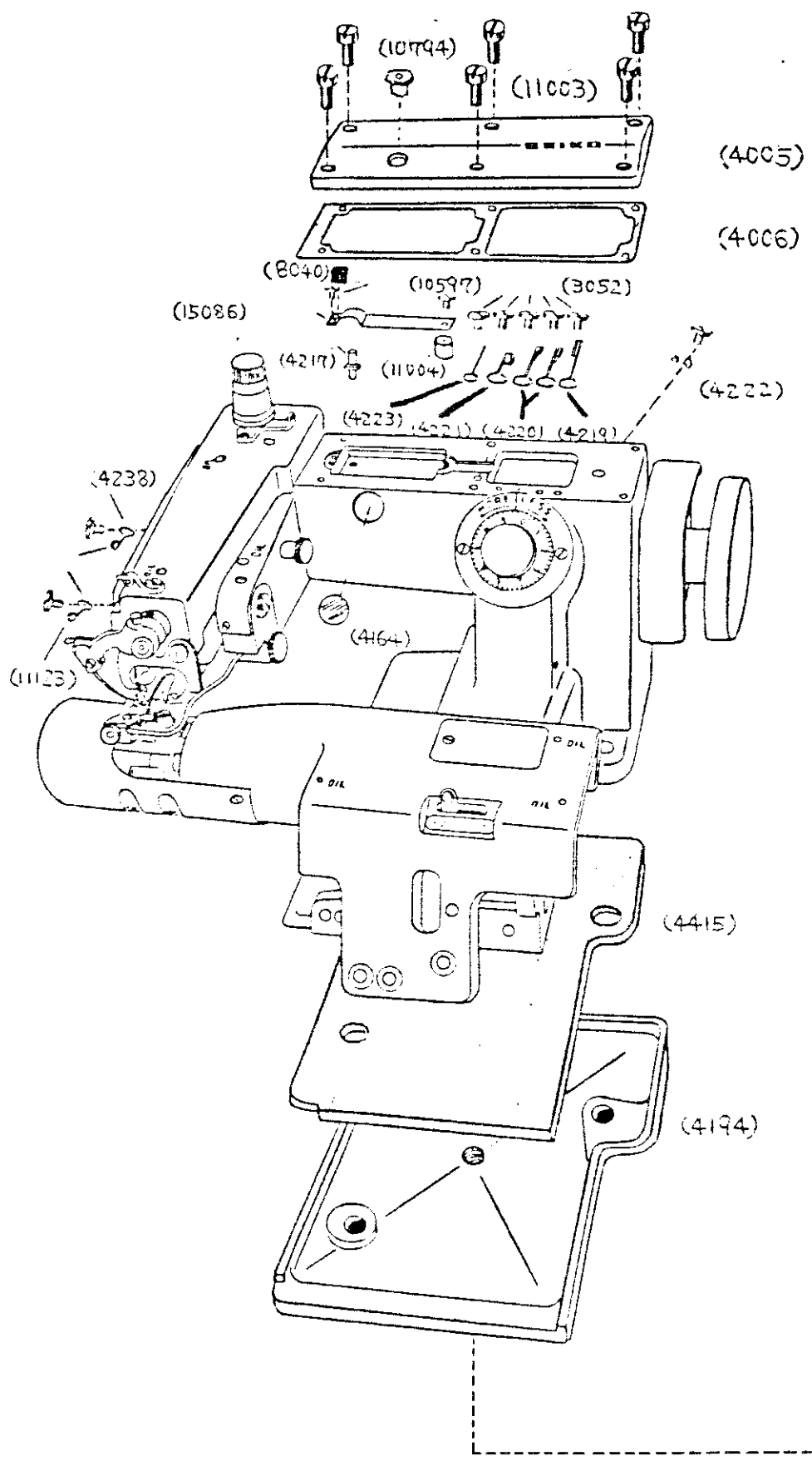
GROUP 3

SPRING LINK GROUP

FEED FRAME



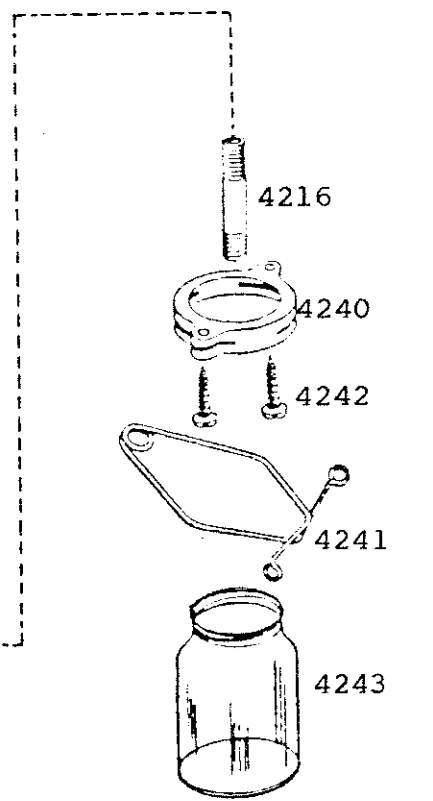




CONSEW  
SEMI-SELF-OILER  
MODELS  
1118L  
SERIES

**IMPORTANT**

For CONSEW Semi-Self Oiler Models 1118L Series. Use same part numbers as with 1118 models but add prefix "L".





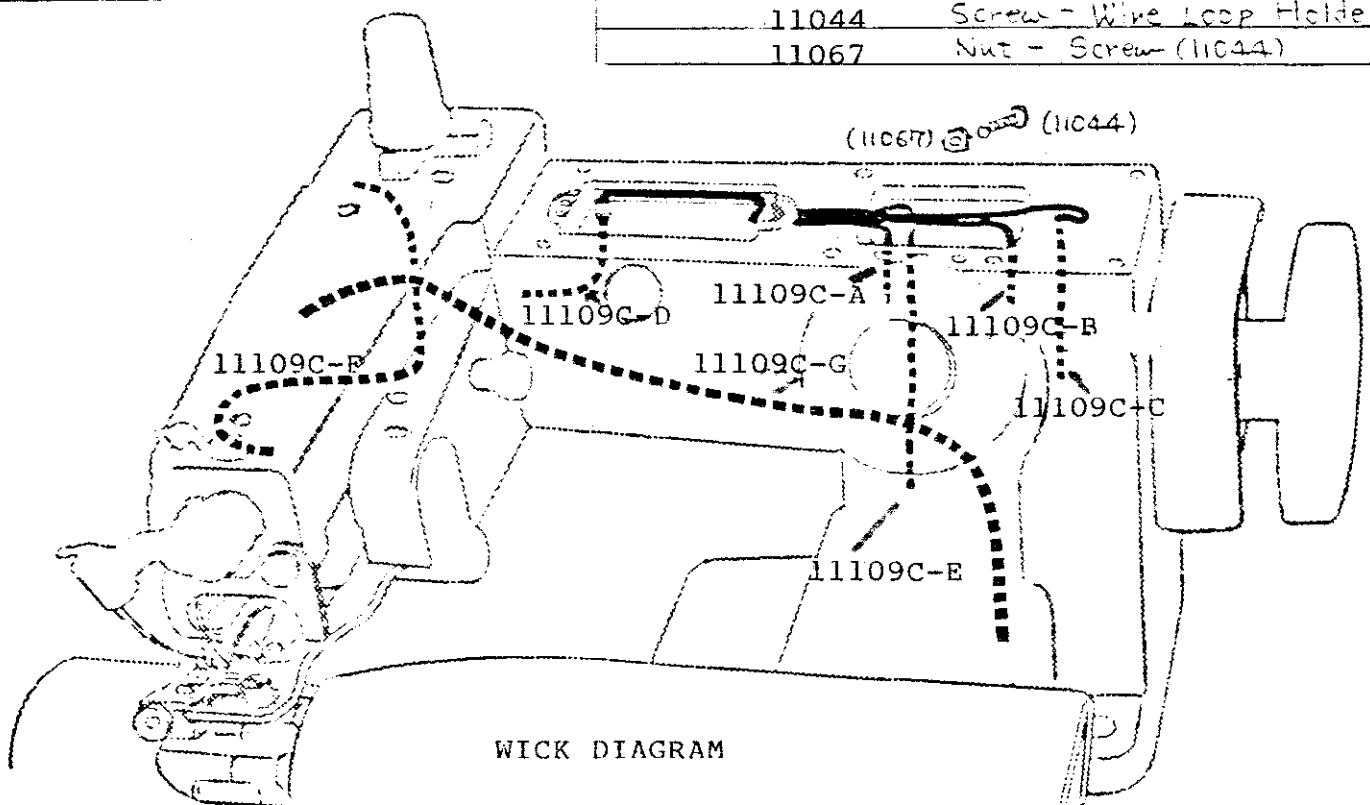
# IMPORTANT - For CONSEW Semi-Self-Oiler Models - 1118L SERIES

Use same part numbers as with 1118 models, but add prefix "L".

Example: Needleshaft (1118 Models) Part No. 4081  
Needleshaft(1118L Models) Part No. L-4081

**PARTS LISTED BELOW ARE USED EXCLUSIVELY  
ON CONSEW SEMI-SELF-OILERS 1118L MODELS).**

4515	Felt Pad - Base	4219	Wire Loop Holder - Wick	11109C-B
4194	Base - Machine	11109C-B	Wick - Rib Connection Lever	
4216	Nipple - Base	4220	Wire Loop Holder - Wick	11109C-E
4240	Holder - Oil Bottle	11109C-E	Wick - Skip Eccentric Gear	
4242	Screws - Holder	4221	Wire Loop Holder - Wick	11109C-A
4241	Spring Clamp - Bottle Holder	11109C-A	Wick - Skip Stitch Gear Drive	
4243	Oil Bottle	4223	Wire Holder - Wicks	
4005	Cover - Main Frame	3052	Screws - Wire Loop Holders	
4006	Gasket - Cover	4217	Nipple - Wick	
11003	Screws - Cover	11109C-D	Wick - Main Shaft	
15086	Oil Vibrator	4238/11123	Wire Loop Holder - Wick	11109C-F
11004	Spring - Oil Vibrator	11109C-F	Wick - Looper Rod Carrier	
10597	Screw - Oil Vibrator	4164	Glass - Oil Gauge	
8040	Screws - Splasher	4222	Wire Loop Holder - Wick	11109C-G
11109C-C	Wire Loop Holder - Wick	11109C-G	Wick - Drain From Side Cover To Base	
11109C-C	Wick - Bushing	10794	Oil Cup (3/8")	
		11044	Screw - Wire Loop Holder	
		11067	Nut - Screw (11044)	







## STANDARD SIZE NEEDLES

#10	Fine knit rayon
#15	Fine knit wear
#20	Fine knit jersey
#25	Dresses and light fabrics
#30	For sportswear
#35	For heavy, hard material and coats
#40	For extra hard material

Also available — #1 - #1½  
 Needle size numbers: #2 - #2½ - #3 -  
 #3½ - #4 - #4½

### VERY IMPORTANT

USE ONLY GENUINE CONSEW  
 NEEDLES. ACCEPT NO OTHERS.

## ACCESSORY GROUP

DESCRIPTION	PART No.
Bolt — Machine Mounting.....	4195
Wing Nut — Machine Mounting Bolt Attaching.....	4197
Washer — Machine Mounting Bolt (1 3/8" O.D.).....	4196
Washer — Machine Mounting Bolt (1" O.D.).....	4196
Felt Pad — Machine Mounting.....	4415
Rubber Pad — Knee Lifter.....	4193
Cotton Stand — Base and Spool Post Assembly.....	4198C
Thread Post .....	4200
Wood Screw — Cotton Stand Attaching.....	6052
Oil Can .....	8125
Screwdriver .....	8120/8121/8118
Spinner (9 x 8)	4202
Needle System	251LG

